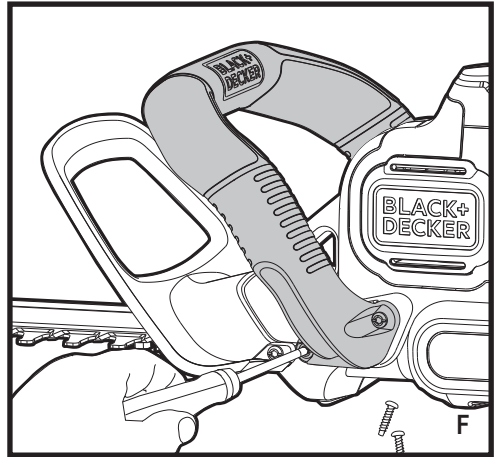
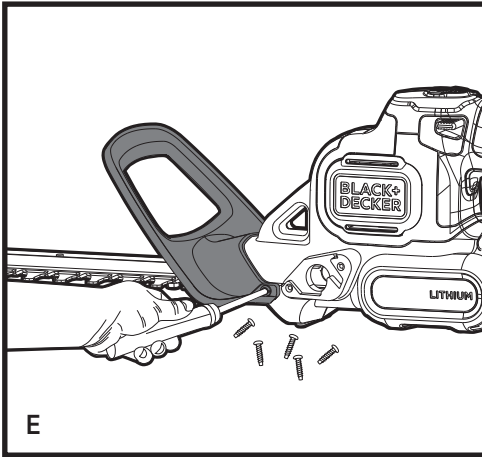
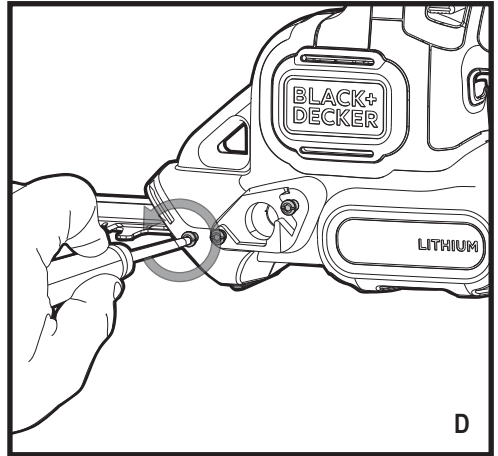
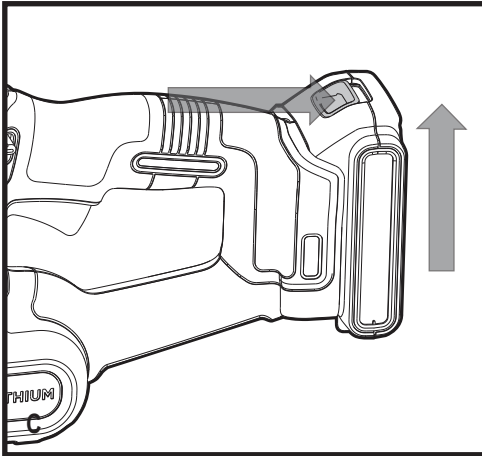
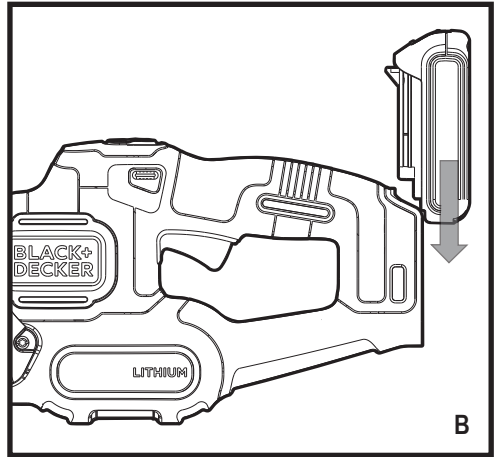
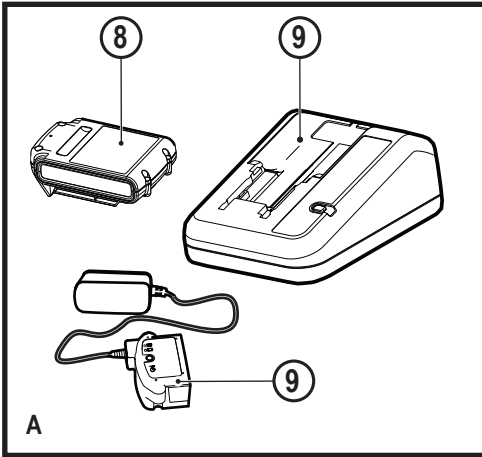
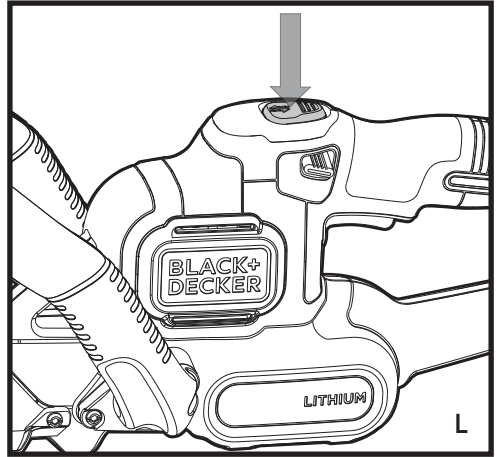
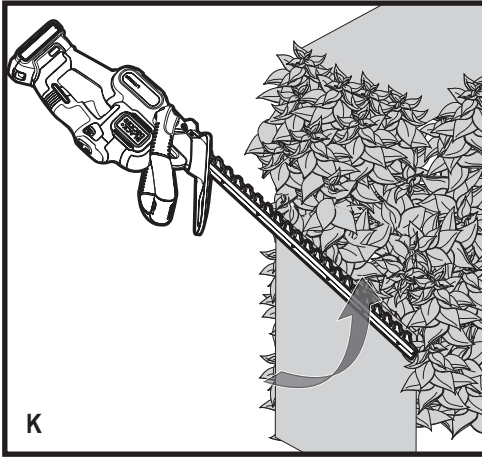
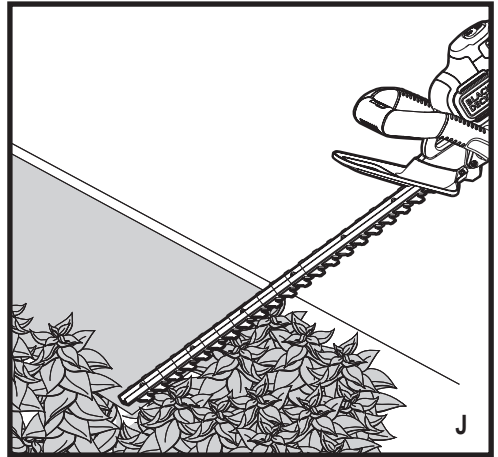
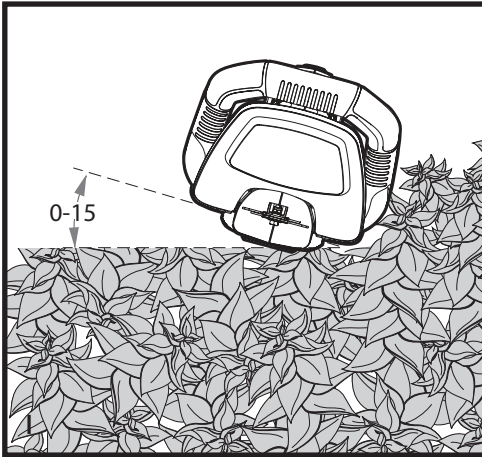
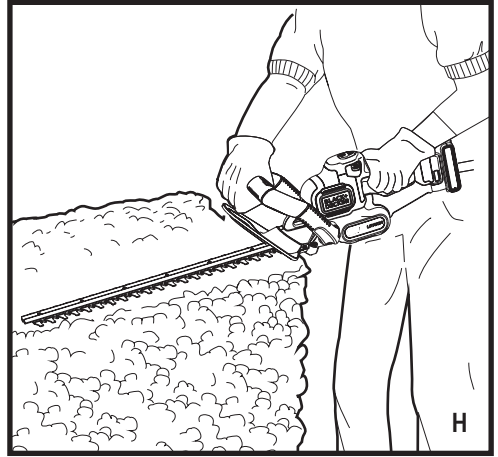
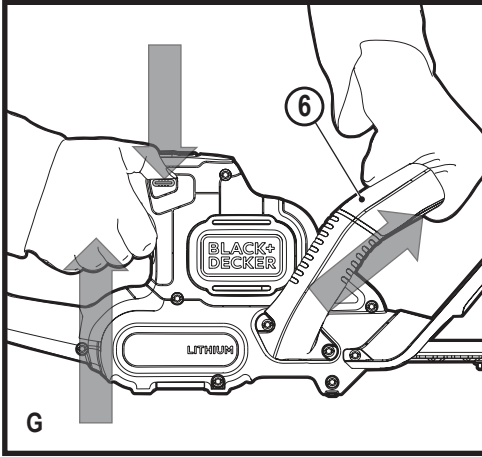


GTC18502PC  
GTC18504PC

English  
ภาษาไทย

4  
10





**GTC18502PC, GTC18504PC  
HEDGE TRIMMER**

**Technical data**

		GTC18502PC	GTC18504PC
Voltage	DC	18V(20V Max)	18V(20V Max)
Blade strokes (no load)	min <sup>-1</sup>	1300	1300
Blade length	cm	50	50
Blade gap	mm	18	18
Weight	kg	2.80	3.10

Batteries			Charger (minutes)		
Cat#	dc	Ah	Cat#	NS88726	NS80465
			Amps	400mA	1A
BL1518	18V(20V Max)	1.5	BL1518	225	90
BL2018	18V(20V Max)	2.0	BL2018	300	120

**Intended use**

Your BLACK+DECKER GTC18502PC & GTC18504PC hedge trimmer have been designed for trimming hedges, shrubs and brambles. This tool is intended for consumer use only.

**Safety instructions**

**General power tool safety warnings**



**Warning!** Read all safety warnings and all instructions. Failure to follow the warnings and instructions listed below may result in electric shock, fire and/or serious injury.

**Save all warnings and instructions for future reference.**

The term "power tool" in the warnings refers to your mains operated (corded) power tool or battery operated (cordless) power tool.

**1. Work area safety**

- a. **Keep work area clean and well lit.** Cluttered or dark areas invite accidents.
- b. **Do not operate power tools in explosive atmospheres, such as in the presence of flammable liquids, gases or dust.** Power tools create sparks which may ignite the dust or fumes.
- c. **Keep children and bystanders away while operating a power tool.** Distractions can cause you to lose control.

**2. Electrical safety**

- a. **Power tool plugs must match the outlet. Never modify**

**the plug in any way. Do not use any adapter plugs with earthed (grounded) power tools.** Unmodified plugs and matching outlets will reduce risk of electric shock.

- b. **Avoid body contact with earthed or grounded surfaces such as pipes, radiators, ranges and refrigerators.** There is an increased risk of electric shock if your body is earthed or grounded.
- c. **Do not expose power tools to rain or wet conditions.** Water entering a power tool will increase the risk of electric shock.
- d. **Do not abuse the cord. Never use the cord for carrying, pulling or unplugging the power tool. Keep cord away from heat, oil, sharp edges or moving parts.** Damaged or entangled cords increase the risk of electric shock.
- e. **When operating a power tool outdoors, use an extension cord suitable for outdoor use.** Use of a cord suitable for outdoor use reduces the risk of electric shock.
- f. **If operating a power tool in a damp location is unavoidable, use a residual current device (RCD) protected supply.** Use of an RCD reduces the risk of electric shock.

**3. Personal safety**

- a. **Stay alert, watch what you are doing and use common sense when operating a power tool. Do not use a power tool while you are tired or under the influence of drugs, alcohol or medication.** A moment of inattention while operating power tools may result in serious personal injury.
- b. **Use personal protective equipment. Always wear eye protection.** Protective equipment such as dust mask, non-skid safety shoes, hard hat, or hearing protection used for appropriate conditions will reduce personal injuries.
- c. **Prevent unintentional starting. Ensure the switch is in the off-position before connecting to power source and/or battery pack, picking up or carrying the tool.** Carrying power tools with your finger on the switch or energising power tools that have the switch on invites accidents.
- d. **Remove any adjusting key or wrench before turning the power tool on.** A wrench or a key left attached to a rotating part of the power tool may result in personal injury.
- e. **Do not overreach. Keep proper footing and balance at all times.** This enables better control of the power tool in unexpected situations.
- f. **Dress properly. Do not wear loose clothing or jewellery. Keep your hair, clothing and gloves away from moving parts.** Loose clothes, jewellery or long hair can be caught in moving parts.
- g. **If devices are provided for the connection of dust extraction and collection facilities, ensure these are**

**connected and properly used.** Use of dust collection can reduce dust-related hazards.

#### 4. Power tool use and care

- a. **Do not force the power tool. Use the correct power tool for your application.** The correct power tool will do the job better and safer at the rate for which it was designed.
- b. **Do not use the power tool if the switch does not turn it on and off.** Any power tool that cannot be controlled with the switch is dangerous and must be repaired.
- c. **Disconnect the plug from the power source and/or the battery pack from the power tool before making any adjustments, changing accessories, or storing power tools.** Such preventive safety measures reduce the risk of starting the power tool accidentally.
- d. **Store idle power tools out of the reach of children and do not allow persons unfamiliar with the power tool or these instructions to operate the power tool.** Power tools are dangerous in the hands of untrained users.
- e. **Maintain power tools. Check for misalignment or binding of moving parts, breakage of parts and any other condition that may affect the power tools operation. If damaged, have the power tool repaired before use.** Many accidents are caused by poorly maintained power tools.
- f. **Keep cutting tools sharp and clean.** Properly maintained cutting tools with sharp cutting edges are less likely to bind and are easier to control.
- g. **Use the power tool, accessories and tool bits etc. In accordance with these instructions, taking into account the working conditions and the work to be performed.** Use of the power tool for operations different from those intended could result in a hazardous situation.

#### 5. Battery tool use and care

- a. **Recharge only with the charger specified by the manufacturer.** A charger that is suitable for one type of battery pack may create a risk of fire when used with another battery pack.
- b. **Use power tools only with specifically designated battery packs.** Use of any other battery packs may create a risk of injury and fire.
- c. **When battery pack is not in use, keep it away from other metal objects, like paper clips, coins, keys, nails, screws, or other small metal objects, that can make a connection from one terminal to another.** Shorting the battery terminals together may cause burns or a fire.
- d. **Under abusive conditions, liquid may be ejected from the battery; avoid contact. If contact accidentally occurs, flush with water. If liquid contacts eyes,**

**additionally seek medical help.** Liquid ejected from the battery may cause irritation or burns.

#### 6. Service

- a. **Have your power tool serviced by a qualified repair person using only identical replacement parts.** This will ensure that the safety of the power tool is maintained.

#### Additional power tool safety warnings



**Warning!** Additional safety warnings for hedge trimmers

- ◆ **Keep all parts of the body away from the cutter blade. Do not remove cut material or hold material to be cut when blades are moving. Make sure the switch is off when clearing jammed material.** A moment of inattention while operating the tool can result in serious personal injury.
- ◆ **Carry the hedge trimmer by the handle with the cutter blade stopped. When transporting or storing the hedge trimmer always fit the cutting device cover.** Proper handling of the hedge trimmer will reduce possible personal injury from the cutter blades.
- ◆ **Hold the power tool by insulated gripping surfaces only, because the cutter blade may contact hidden wiring.** Cutter blades contacting a "live" wire may make exposed metal parts of the power tool "live" and could give the operator an electric shock.
- ◆ The intended use is described in this instruction manual. The use of any accessory or attachment or performance of any operation with this tool other than those recommended in this instruction manual can present a risk of personal injury and/or damage to property.
- ◆ Do not carry the tool with your hands on the front handle, switch or the trigger switch unless the battery has been removed.
- ◆ If you have not used a hedge trimmer before, preferably seek practical instruction by an experienced user in addition to studying this manual.
- ◆ Never touch the blades while the tool is running.
- ◆ Never attempt to force the blades to come to a standstill.
- ◆ Do not put the tool down until the blades have come to a complete standstill.
- ◆ Regularly check the blades for damage and wear. Do not use the tool when the blades are damaged.
- ◆ Take care to avoid hard objects (e.g. metal wire, railings) when trimming. Should you accidentally hit any such object, immediately switch the tool off and check for any damage.
- ◆ Should the tool start to vibrate abnormally, immediately switch it off and remove the battery then check for any damage.

- ◆ If the tool stalls, immediately switch it off. Remove the battery before attempting to remove any obstructions.
- ◆ After use, place the blade sheath supplied over the blades. Store the tool, making sure that the blade is not exposed.
- ◆ Always ensure that all guards are fitted when using the tool. Never attempt to use an incomplete tool or a tool with unauthorised modifications.
- ◆ Never allow children to use the tool.
- ◆ Be aware of falling debris when cutting the higher sides of a hedge.
- ◆ Always hold the tool with both hands and by the handles provided.



Wear safety glasses or goggles when operating this tool.



Wear ear protection when operating this tool.



Do not expose the tool to rain or high humidity.

## Electrical safety

### Additional safety instructions for batteries and chargers

#### Batteries

- ◆ Never attempt to open for any reason.
- ◆ Do not expose the battery to water.
- ◆ Do not store in locations where the temperature may exceed 40 °C.
- ◆ Charge only at ambient temperatures between 10 °C and 40 °C.
- ◆ Charge only using the charger provided with the tool.
- ◆ When disposing of batteries, follow the instructions given in the section "Protecting the environment".

Do not attempt to charge damaged batteries.



#### Chargers

- ◆ Use your BLACK+DECKER charger only to charge the battery in the tool with which it was supplied. Other batteries could burst, causing personal injury and damage.
- ◆ Never attempt to charge non-rechargeable batteries.
- ◆ Have defective cords replaced immediately.
- ◆ Do not expose the charger to water.
- ◆ Do not open the charger.
- ◆ Do not probe the charger.



The charger is intended for indoor use only.



Read the instruction manual before use.



Your charger is double insulated; therefore no earth wire is required. Always check that the mains voltage corresponds to the voltage on the rating plate. Never attempt to replace the charger unit with a regular mains plug.

### Safety of others

- ◆ This appliance is not intended for use by persons (including children) with reduced physical, sensory or mental capabilities, or lack of experience and knowledge, unless they have been given supervision or instruction concerning use of the appliance by a person responsible for their safety.
- ◆ Children should be supervised to ensure that they do not play with the appliance.

### Residual risks.

Additional residual risks may arise when using the tool which may not be included in the enclosed safety warnings. These risks can arise from misuse, prolonged use etc.

Even with the application of the relevant safety regulations and the implementation of safety devices, certain residual risks can not be avoided. These include:

- ◆ Injuries caused by touching any rotating/moving parts.
- ◆ Injuries caused when changing any parts, blades or accessories.
- ◆ Injuries caused by prolonged use of a tool. When using any tool for prolonged periods ensure you take regular breaks.
- ◆ Impairment of hearing.
- ◆ Health hazards caused by breathing dust developed when using your tool (example:- working with wood, especially oak, beech and MDF.)

### Labels on tool

The following pictograms are shown on the tool along with the date code:



**Warning!** To reduce the risk of injury, the user must read the instruction manual.

- ◆ If the supply cord is damaged, it must be replaced by the manufacturer or an authorised BLACK+DECKER Service Centre in order to avoid a hazard.

## Features

This tool includes some or all of the following features.

1. Trigger switch
2. Lock off button
3. Switch handle
4. POWERCOMMAND button
5. Blade guard
6. Bail handle
7. Blade
8. Battery
9. Charger

## Assembly

**Warning!** Before assembly, remove the battery from the tool fit the blade sheath over the blades.

**Warning!** Before assembly, make sure that the tool is switched off and unplugged and that the blade sheath is fitted over the blades.

**Warning!** Never use the tool without the guard.

## Charging procedure

Black+decker chargers are designed to charge Black+decker battery packs.

- ◆ Plug the charger into an appropriate outlet before inserting the battery pack.
- ◆ Insert the battery pack into the charger as shown in figure A.
- ◆ The green LED will flash indicating that the battery is being charged.
- ◆ The completion of charge is indicated by the green LED remaining on continuously. The pack is fully charged and may be used at this time or left on the charger.

**Note:** Recharge discharged batteries as soon as possible after use or battery life may be greatly diminished. For longest battery life, do not discharge batteries fully. It is recommended that the batteries be recharged after each use.

## Leaving the battery in the charger

The charger and battery pack can be left connected with the LED glowing indefinitely. The charger will keep the battery pack fresh and fully charged.

## Important charging notes

- ◆ Longest life and best performance can be obtained if the battery pack is charged when the air temperature is between 65°F and 75°F (18°- 24°C). DO NOT charge the battery pack in an air temperature below +40°F (+4.5°C), or above +105°F (+40.5°C). This is important and will prevent serious damage to the battery pack.

- ◆ The charger and battery pack may become warm to touch while charging. This is a normal condition, and does not indicate a problem. To facilitate the cooling of the battery pack after use, avoid placing the charger or battery pack in a warm environment such as in a metal shed, or an uninsulated trailer.
  - ◆ If the battery pack does not charge properly:
    - ◆ Check current at receptacle by plugging in a lamp or other appliance.
    - ◆ Check to see if receptacle is connected to a light switch which turns power off when you turn out the lights.
    - ◆ Move charger and battery pack to a location where the surrounding air temperature is approximately 65°F - 75°F (18°- 24°C).
    - ◆ If charging problems persist, take the tool, battery pack and charger to your local service center.
  - ◆ The battery pack should be recharged when it fails to produce sufficient power on jobs which were easily done previously. DO NOT CONTINUE to use under these conditions. Follow the charging procedure. You may also charge a partially used pack whenever you desire with no adverse affect on the battery pack.
  - ◆ Foreign materials of a conductive nature such as, but not limited to, steel wool, aluminium foil, or any buildup of metallic particles should be kept away from charger cavities. Always unplug the charger from the power supply when there is no battery pack in the cavity. Unplug charger before attempting to clean.
  - ◆ Do not freeze or immerse charger in water or any other liquid.
- Warning!** Do not allow any liquid to get inside charger. Never attempt to open the battery pack for any reason. If the plastic housing of the battery pack breaks or cracks, return to a service center for recycling.

## Installing and removing the battery pack from the tool

**Warning!** Make certain the lock-off button is engaged to prevent switch actuation before removing or installing battery.

### To install battery pack

- ◆ Insert battery (8) into tool until an audible click is heard (Figure. B)
- ◆ Ensure battery pack is fully seated and fully latched into position.

### To remove battery pack

- ◆ Depress the battery release button as shown in figure C and pull battery pack out of tool.

## Assembly instructions

**Warning!** Make certain the battery is removed before

assembly or disassembly of any parts.

**Assembly tools required (not supplied):-** phillips screwdriver.

### Attaching guard and bail handle to trimmer

**Warning!** Only use with handle and guard properly assembled to hedge trimmer. The use of the hedge trimmer without the proper guard or handle provided may result in serious personal injury.

The trimmer is shipped with the guard and bail handle attached with a plastic zip tie.

To assemble to trimmer:

- ◆ Cut the plastic zip tie.
- ◆ Remove the six screws that are partially run into the trimmer housing (Figure D).
- ◆ Slide the guard (5) onto the front of the trimmer housing as shown in figure E
- ◆ Insert two of the six screws into the openings on the sides of the guard and tighten securely.
- ◆ Slide the bail handle (6) onto the front of the trimmer housing behind the guard as shown in figure F.
- ◆ Insert the remaining four screws into the openings on the sides of the bail handle and tighten securely.

### Operation

- ◆ To turn the unit on, push the lock off button (2) down, squeeze the trigger (1), as shown in figure G. Once the unit is running, you may release the lock-off button. In order to keep the unit running you must continue to squeeze the trigger.
- ◆ To turn the unit off, release the trigger.

**Warning!** Never attempt to lock a switch in the on position.

### Trimming Instructions

- ◆ Maintain proper footing and balance and do not overreach. Wear safety goggles, non-skid footwear when trimming. Hold the unit firmly in both hands and turn the unit ON. Always hold the trimmer, as shown in the illustrations in this manual, with one hand on the switch handle and one hand on the bail handle (figure H). Never hold the unit by the blade guard.

### Trimming new growth (Fig. I)

- ◆ A wide, sweeping motion, feeding the blade teeth through the twigs is most effective. A slight downward tilt of the blade, in the direction of motion gives the best cutting.

**Warning!** Do not cut stems greater than 19mm.

Use the trimmer only for cutting normal shrubbery around houses and buildings.

### Level hedges (Fig. J)

- ◆ To obtain exceptionally level hedges a piece of string can

be stretched along the length of the hedge as a guide.

### Side trimming hedges (Fig. K)

- ◆ Hold the trimmer as shown and begin at the bottom and sweep up.

### POWERCOMMAND

If you encounter a jam, depress the POWERCOMMAND button (4) shown in figure I. The blades will move back and forth in a slower, more forceful rhythm to help cut through difficult branches. Release the button to return to normal hedge trimming usage.

**Note:** Once the button is released, the blades will immediately return to full speed.

**Note:** The blades will stop when the button is held for 15 seconds. To reengage the POWERCOMMAND feature, release the button and depress it again. DO NOT continuously hold the POWERCOMMAND button during normal hedge trimming.

### Maintenance

Your BLACK+DECKER corded/cordless appliance/tool has been designed to operate over a long period of time with a minimum of maintenance. Continuous satisfactory operation depends upon proper tool care and regular cleaning.

**Warning!** Before performing any maintenance on corded/cordless power tools:

- ◆ Switch off and unplug the appliance/tool.
- ◆ Or switch off and remove the battery from the appliance/tool if the appliance/tool has a separate battery pack.
- ◆ Or run the battery down completely if it is integral and then switch off.
- ◆ Unplug the charger before cleaning it. Your charger does not require any maintenance apart from regular cleaning.
- ◆ Regularly clean the ventilation slots in your appliance/tool/charger using a soft brush or dry cloth.
- ◆ Regularly clean the motor housing using a damp cloth. Do not use any abrasive or solvent-based cleaner.
- ◆ After use, carefully clean the blades. After cleaning, apply a film of light machine oil to prevent the blades from rusting.

The cutting blades are made from high quality, hardened steel and with normal usage, they will not require sharpening. However, if you accidentally hit a wire fence, stones, glass or other hard objects, you may put a nick in the blade. There is no need to remove this nick as long as it does not interfere with the movement of the blade.

If it does interfere, remove the battery and use a fine toothed file or sharpening stone to remove the nick. If you drop the trimmer, carefully inspect it for damage. If the blade is bent, housing cracked, or handles broken or if you see any other condition that may affect the trimmer's operation contact your



local BLACK+DECKER Service Center for repairs before putting it back into use. Fertilizers and other garden chemicals contain agents which greatly accelerate the corrosion of metals. Do not store the unit on or adjacent to fertilizers or chemicals. With the battery removed, use only mild soap and a damp cloth to clean the unit. Never let any liquid get inside the unit; never immerse any part of the unit into a liquid. Prevent the blades from rusting by applying a film of light machine oil after cleaning.

Troubleshooting		
Problem	Possible Cause	Possible Solution
Slow running, noisy or hot blades.	Dry, corroded blades.	Lubricate blades.
	Blade or blade support bent.	Straighten blade or blade support.
	Bent or damaged teeth.	Straighten teeth.
	Loose blade bolts.	Tighten blade bolts.
Unit will not start.	Battery not installed properly.	Check battery installation.
	Battery not charged.	Check battery charging requirements.
	Lock off not fully operated.	Check lock off is fully depressed prior to moving main trigger.
Battery won't charge	Battery not inserted into charger.	Insert battery into charger until green LED appears. Charge up to 8 hours if battery totally drained.
	Charger not plugged in.	Plug charger into a working outlet. Refer to "Important Charging Notes" for more details. Check current at receptacle by plugging in a lamp or other appliance. Check to see if receptacle is connected to a light switch which turns power off when you turn out the light.
	Surrounding air temperature too hot or too cold.	Move charger and tool to a surrounding air temperature of above 40 degree F (4.5°C) or below 105 degree F (+40.5°C).

### Protecting the environment



Separate collection. Products and batteries marked with this symbol must not be disposed of with normal household waste.

Products and batteries contain materials that can be recovered or recycled reducing the demand for raw materials. Please recycle electrical products and batteries according to local provisions.

### Service Information

BLACK+DECKER offers a full network of company-owned and authorized service locations throughout Asia. All BLACK+DECKER Service Centers are staffed with trained personnel to provide customers with efficient and reliable product service.

Whether you need technical advice, repair, or genuine factory replacement parts, contact the BLACK+DECKER location nearest to you.

### Note

- ◆ BLACK+DECKER's policy is one of continuous improvement to our products and, as such, we reserve the right to change product specifications without prior notice.
- ◆ Standard equipment and accessories may vary by country.
- ◆ Product specifications may differ by country.
- ◆ Complete product range may not be available in all countries. Contact your local BLACK+DECKER dealers for range availability.

## GTC18502PC, GTC18504PC เครื่องเล็มพุ่มไม้

### ข้อมูลด้านเทคนิค

		GTC18502PC	GTC18504PC
แรงดันไฟฟ้า	DC	18V(20V Max)	18V(20V Max)
ช่วงชักใบมีด (ไม่มีโหลด)	รอบ/นาที	1300	1300
ความยาวใบมีด	ซม.	50	50
ระยะห่างใบมีด	มม.	18	18
น้ำหนัก	กก.	2.80	3.10

แบตเตอรี่			เครื่องชาร์จ (นาฬิกา)		
Cat#	dc	Ah	Cat#	N588726	N580465
			Amps	400mA	1A
BL1518	18V(20V Max)	1.5	BL1518	225	90
BL2018	18V(20V Max)	2.0	BL2018	300	120

### วัตถุประสงค์ในการใช้งาน

เครื่องเล็มพุ่มไม้ BLACK+DECKER รุ่น GTC18502PC และ GTC18504PC ได้รับการออกแบบมาสำหรับการเล็มพุ่มไม้ ต้นไม้เตี้ยๆ และพุ่มไม้มีหนาม เครื่องมือนี้มีวัตถุประสงค์เพื่อการใช้งานของผู้บริโภคเท่านั้น

### ข้อปฏิบัติเพื่อความปลอดภัย

#### คำเตือนเพื่อความปลอดภัยสำหรับเครื่องมือไฟฟ้าทั่วไป



**คำเตือน!** โปรดอ่านคำเตือนและคำแนะนำเพื่อความปลอดภัยทั้งหมด การไม่ปฏิบัติตามคำเตือนและคำแนะนำเหล่านี้อาจทำให้ถูกไฟฟ้าช็อต เกิดเพลิงไหม้และ/หรือบาดเจ็บสาหัสได้

**โปรดเก็บรักษาคำเตือนและข้อปฏิบัติทั้งหมดนี้ไว้เพื่อใช้อ้างอิงในภายหลัง** คำว่า "เครื่องมือไฟฟ้า" ในคำเตือนหมายถึง เครื่องมือไฟฟ้า (แบบมีสาย) ที่ทำงานด้วยแหล่งจ่ายไฟหลักหรือเครื่องมือไฟฟ้า (แบบไร้สาย) ที่ทำงานด้วยแบตเตอรี่

1. ความปลอดภัยในบริเวณที่ทำงาน
  - ก. รักษาความปลอดภัยและจัดให้มีแสงสว่างเพียงพอในบริเวณที่ทำงาน บริเวณที่มีดหรือมีของวางระเกะระกะอาจทำให้เกิดอุบัติเหตุได้
  - ข. ห้ามใช้เครื่องมือไฟฟ้าในบริเวณที่อาจเกิดการระเบิด เช่น ในสถานที่ที่มีของเหลว แก๊ส หรือฝุ่นละอองที่มีคุณสมบัติไวไฟ เครื่องมือไฟฟ้าจะทำให้เกิดประกายไฟที่อาจทำให้เกิดละอองไฟหรือเปลวไฟขึ้นได้
  - ค. ระวังไม่ให้เด็กเล็กและคนเดินผ่านไปมาเข้าใกล้ในขณะที่ใช้งานเครื่องมือไฟฟ้า สิ่งรบกวนอาจทำให้คุณเสียสมาธิได้

#### 2. ความปลอดภัยทางไฟฟ้า

- ก. ปลั๊กไฟของเครื่องต้องเป็นชนิดเดียวกับตัวรับ ห้ามตัดแปลงปลั๊กไม่ว่าด้วยวิธีใด ห้ามใช้ปลั๊กอะแดปเตอร์ใดๆ กับเครื่องมือไฟฟ้าที่ต่อสายดิน (ลงกราวด์) ปลั๊กที่ไม่มีการตัดแปลงและตัวรับชนิดเดียวกันจะช่วยลดความเสี่ยงจากการถูกไฟฟ้าช็อต
- ข. หลีกเลี่ยงการสัมผัสพื้นผิวที่ต่อสายดินหรือลงกราวด์ เช่น ท่อ หม้อน้ำ เตาหุงต้ม และตู้เย็น มีความเสี่ยงเพิ่มขึ้นที่จะถูกไฟฟ้าช็อตหากร่างกายเป็นสื่อเชื่อมต่อลงดินหรือลงกราวด์
- ค. อย่าให้เครื่องมือไฟฟ้าถูกฝนหรือเปียกน้ำ ถ้าใช้เครื่องมือไฟฟ้าจะเพิ่มความเสี่ยงในการเกิดไฟฟ้าช็อต
- ง. ห้ามใช้สายไฟผิดวัตถุประสงค์ ห้ามใช้สายไฟเพื่อการหิ้ว ดึง หรือถอดปลั๊กเครื่องมือไฟฟ้า เก็บสายไฟให้ห่างจากความร้อน น้ำมัน ของมีคมหรือชิ้นส่วนที่กำลังเคลื่อนที่ สายไฟที่ชำรุดหรือพันกันจะทำให้มีความเสี่ยงเพิ่มมากขึ้นที่จะถูกไฟฟ้าช็อตได้
- จ. เมื่อใช้เครื่องมือไฟฟ้านอกอาคาร ให้ใช้สายต่อพ่วงที่เหมาะสมสำหรับการใช้งานนอกอาคาร การใช้สายไฟที่เหมาะสมสำหรับการใช้งานนอกอาคารจะช่วยลดความเสี่ยงจากการเกิดไฟฟ้าช็อต
- ฉ. หากไม่สามารถหลีกเลี่ยงการใช้เครื่องมือไฟฟ้าในบริเวณที่ชื้นและได้ ให้ใช้อุปกรณ์ป้องกันไฟดูด (RCD) การใช้ RCD จะเป็นการลดความเสี่ยงจากการถูกไฟฟ้าช็อต

#### 3. ความปลอดภัยส่วนบุคคล

- ก. ดึงตัวและมีสมาธิกับสิ่งที่คุณกำลังทำ รวมทั้งใช้สามัญสำนึกในขณะที่กำลังใช้งานเครื่องมือไฟฟ้า ห้ามใช้เครื่องมือไฟฟ้าในขณะที่คุณกำลังเหนื่อย หรือกำลังอยู่ภายใต้ฤทธิ์ยา แอลกอฮอล์หรือการรักษาด้วยยา การขาดความระมัดระวังใน

การใช้เครื่องมือไฟฟ้าแม้ชั่วขณะหนึ่งอาจทำให้บาดเจ็บสาหัสได้

- ข. ใช้อุปกรณ์คุ้มครองความปลอดภัยส่วนบุคคลสวมอุปกรณ์ป้องกันดวงตาเสมอ อุปกรณ์ป้องกัน เช่น หน้ากากกันฝุ่น รองเท้านิรภัยกันสั่น หมวกนิรภัย หรืออุปกรณ์ป้องกันเสียงดังที่ไว้ในสภาวะที่เหมาะสม จะช่วยลดอาการบาดเจ็บทางร่างกาย
- ค. ป้องกันเครื่องเปิดทำงานโดยไม่ตั้งใจ สวิตช์ต้องอยู่ในตำแหน่งปิดก่อนที่จะเสียบปลั๊กของเครื่องเข้ากับแหล่งจ่ายไฟ และ/หรือแบตเตอรี่ หรือก่อนยกหรือหัวเครื่องมือ การยกเครื่องมือไฟฟ้าในขณะที่นิ้วอยู่ที่สวิตช์ หรือใช้เครื่องมือไฟฟ้าที่สวิตช์เปิดอยู่ อาจทำให้เกิดอุบัติเหตุได้
- ง. ถอดกุญแจปรับตั้งหรือประแจออกก่อนเปิดสวิตช์เครื่องมือไฟฟ้า ประแจหรือกุญแจที่เสียบค้างอยู่ในชิ้นส่วนที่หมุนได้ของเครื่องมือไฟฟ้าอาจทำให้เกิดการบาดเจ็บได้
- จ. ห้ามยืนเขย่งเท้าขณะใช้เครื่อง ต้องยืนอย่างมั่นคงและสมดุลเสมอ เพื่อช่วยในการควบคุมเครื่องมือไฟฟ้าได้ดียิ่งขึ้นในสถานการณ์ที่ไม่คาดคิด
- ฉ. แต่งกายให้เหมาะสม ห้ามสวมเสื้อผ้าหลวมหรือใส่เครื่องประดับ ร่มผม เสื้อผ้า และถุงมือให้ห่างจากชิ้นส่วนที่กำลังหมุน เสื้อผ้าที่หลวมหรือยาวรุ่มร่าม เครื่องประดับ หรือผมที่ยาวอาจเข้าไปพันกับชิ้นส่วนที่กำลังหมุน
- ช. หากมีอุปกรณ์สำหรับตัดและเก็บฝุ่น ต้องตรวจสอบให้แน่ใจว่าได้เชื่อมต่อและใช้งานอุปกรณ์นั้นอย่างเหมาะสม การใช้อุปกรณ์เก็บฝุ่นจะช่วยลดอันตรายที่เกี่ยวข้องกับฝุ่นได้

#### 4. การใช้และการดูแลรักษาเครื่องมือไฟฟ้า

- ก. ห้ามฝืนใช้เครื่องมือไฟฟ้า เลือกใช้เครื่องมือไฟฟ้าให้ตรงกับลักษณะการใช้งานของเครื่อง เครื่องมือไฟฟ้าที่ถูกต้องย่อมทำงานได้ดีกว่าและปลอดภัยกว่า เมื่อใช้งานตามที่คิดที่เครื่องมือได้รับการออกแบบมา
- ข. ห้ามใช้เครื่องมือไฟฟ้าถ้าสวิตช์เปิดปิดเครื่องไม่ทำงาน เครื่องมือไฟฟ้าที่ไม่สามารถควบคุมผ่านสวิตช์ได้ ถือว่ามีอันตรายและต้องส่งซ่อม
- ค. ถอดปลั๊กของเครื่องมือไฟฟ้าออกก่อนแหล่งจ่ายไฟ และ/หรือชุดแบตเตอรี่ก่อนทำการปรับแต่ง เปลี่ยนอุปกรณ์เสริม หรือจัดเก็บเครื่องมือไฟฟ้า มาตรการเพื่อความปลอดภัยเชิงการป้องกันนี้จะช่วยลดความเสี่ยงในการผลเปิดเครื่องให้ทำงานโดยไม่ตั้งใจ
- ง. เก็บเครื่องมือไฟฟ้าที่ไม่ได้ใช้งานไว้ในที่พ้นมือเด็ก และไมอนุญาตให้บุคคลที่ไม่คุ้นเคยกับเครื่องมือไฟฟ้าหรือข้อปฏิบัติเหล่านี้เป็นผู้ใช้เครื่องมือไฟฟ้าจะเป็นอันตรายหากอยู่ในมือผู้ใช้ที่ไม่มีความชำนาญ
- จ. บำรุงรักษาเครื่องมือไฟฟ้า ตรวจสอบว่าชิ้นส่วน

ที่เคลื่อนที่ได้มีการวางไม่ตรงแนวหรือติดขัดหรือไม่ มีชิ้นส่วนที่แตกหัก และสภาพอินไดที่อาจส่งผลต่อการทำงานของเครื่องมือไฟฟ้าหรือไม่ หากชำรุดเสียหาย ให้นำเครื่องมือไปส่งซ่อมก่อนนำมาใช้ อุบัติเหตุจำนวนมากเกิดจากการดูแลรักษาเครื่องมือไฟฟ้าไม่ได้พอ

- ฉ. เครื่องมือตัดต้องคมและสะอาดอยู่เสมอ เครื่องมือตัดที่ได้รับการดูแลรักษาอย่างถูกต้องและมีขอบตัดคม จะมีปัญหาตัดขัดน้อย และควบคุมได้ง่ายกว่า
- ช. ใช้เครื่องมือไฟฟ้า อุปกรณ์เสริม และชุดอุปกรณ์ต่างๆ ให้สอดคล้องกับข้อปฏิบัติเหล่านี้ โดยพิจารณาถึงสภาพการทำงานและงานที่ทำเป็นสำคัญ การใช้เครื่องมือไฟฟ้าทำงานอื่นนอกเหนือจากที่กำหนดไว้อาจทำให้เกิดอันตรายได้

#### 5. การใช้และการดูแลรักษาแบตเตอรี่

- ก. ชาร์จแบตเตอรี่ด้วยเครื่องชาร์จที่ผู้ผลิตแนะนำเท่านั้น เครื่องชาร์จที่เหมาะสมกับแบตเตอรี่แบบหนึ่ง อาจทำให้เกิดไฟไหม้ได้ถ้านำมาใช้กับแบตเตอรี่อีกแบบหนึ่ง
- ข. ใช้เครื่องมือไฟฟ้าเฉพาะกับก้อนแบตเตอรี่ที่กำหนดให้โดยเฉพาะเท่านั้น การใช้แบตเตอรี่แบบอื่นอาจทำให้เกิดการบาดเจ็บหรือเกิดไฟไหม้ได้
- ค. เมื่อไม่ได้ใช้ก้อนแบตเตอรี่ ให้เก็บออกห่างจากรัดถุนอื่น ที่เป็นโลหะ เช่น คลิปหนีบกระดาษ รีดถุน คุกกี้แฉก เข็มหรือตะปู สกรูหรือวัตถุขนาดเล็กอื่นๆ ที่ทำจากโลหะที่อาจทำให้เกิดการเชื่อมต่อจากขั้วหนึ่งไปอีกขั้วหนึ่ง การสั้ววงจรบริเวณขั้วแบตเตอรี่อาจทำให้เกิดรอยไหม้หรือไฟไหม้ได้
- ง. เมื่ออยู่ภายใต้สภาวะที่ไม่เหมาะสม อาจมีของเหลวไหลออกมาจากแบตเตอรี่ ให้หลีกเลี่ยงการสัมผัสกับของเหลวนี้ หากบังเอิญสัมผัสโดยไม่ตั้งใจ ให้ล้างออกด้วยน้ำปริมาณมาก หากของเหลวกระเด็นเข้าตา ควรรีบไปพบแพทย์ของเหลวที่ออกมาจากแบตเตอรี่อาจทำให้เกิดอาการระคายเคืองหรือรอยไหม้ได้

#### 6. การบริการ

- ก. ให้ช่างซ่อมที่มีความเชี่ยวชาญเป็นผู้ซ่อมเครื่องมือ และใช้อะไหล่แท้เท่านั้น ซึ่งจะช่วยให้มั่นใจได้ว่าเครื่องมือไฟฟ้ายังมีความปลอดภัยอยู่

#### คำเตือนเพื่อความปลอดภัยเพิ่มเติมสำหรับการใช้เครื่องมือไฟฟ้า



คำเตือน! คำเตือนเพื่อความปลอดภัยเพิ่มเติมสำหรับเครื่องตัดเล็มพุ่มไม้

- ◆ ระวังทุกส่วนของร่างกายให้อยู่ห่างจากใบมีดของเครื่องตัด ห้ามนำวัสดุที่ตัดออกหรือจับวัสดุที่จะตัดขณะที่ใบมีดกำลังเคลื่อนที่ ตรวจสอบให้แน่ใจว่าสวิตช์ปิดอยู่ขณะที่นำวัสดุที่ตัดค้างอยู่ ออก การขาดความระมัดระวังในการใช้เครื่องมือแม้ชั่วขณะหนึ่งอาจทำให้ได้รับบาดเจ็บสาหัสได้
- ◆ ยกเครื่องตัดเล็มพุ่มไม้ด้วยตัวจับมือใบมีดของเครื่องตัดหยุดแล้ว เมื่อจะขนส่งหรือจัดเก็บเครื่องตัดเล็มพุ่มไม้ ให้ใส่ฝาครอบอุปกรณ์ตัดทุกครั้ง การจัดการเครื่องตัดเล็มพุ่มไม้ไม่เหมาะสมจะช่วยลดการบาดเจ็บที่อาจเกิดขึ้นจากใบมีดของเครื่องตัดได้
- ◆ จับเครื่องมือไฟฟ้าโดยใช้พื้นผิวจับยึดที่หุ้มฉนวนเท่านั้น เนื่องจากใบมีดของเครื่องตัดอาจสัมผัสสายไฟที่ซ่อนอยู่ใต้ ใบมีดของเครื่องตัดที่สัมผัสสายไฟที่ "มีไฟฟ้า" อาจทำให้ส่วนที่เป็นโลหะที่ถูกสัมผัสของเครื่องมือไฟฟ้า "มีไฟฟ้า" และทำให้ผู้ใช้เครื่องถูกไฟฟ้าช็อตได้
- ◆ วัตถุประสงค์ในการใช้งานได้อธิบายไว้ในคู่มือแนะนำการใช้งานฉบับนี้ การใช้งานอุปกรณ์เสริมหรืออุปกรณ์ต่อพ่วง หรือการใช้งานอื่นใดกับเครื่องมือนี้ นอกเหนือจากที่ได้อธิบายไว้ในคู่มือการใช้งานนี้ อาจทำให้เสี่ยงต่อการบาดเจ็บ และ/หรือความเสียหายต่อทรัพย์สินได้
- ◆ ไม่ถือเครื่องมือด้วยมือทั้งสองตรงตามจับด้านหน้า สวิตช์ หรือปุ่มสวิตช์ นอกจากจะมีการถอดแบตเตอรี่ออกแล้ว
- ◆ หากคุณไม่เคยใช้งานเครื่องตัดเล็มพุ่มไม้มาก่อน ควรขอคำแนะนำการใช้งานจริงจากผู้ที่มีประสบการณ์ นอกเหนือจากการอ่านจากคู่มือเล่มนี้
- ◆ ห้ามจับใบมีดในขณะที่เครื่องกำลังทำงาน
- ◆ อย่าพยายามออกแรงดันใบมีดให้หยุดนิ่ง
- ◆ ห้ามวางเครื่องมือลงจนกว่าใบมีดจะหยุดนิ่ง
- ◆ ตรวจสอบใบมีดเป็นประจำเพื่อหาการชำรุดเสียหาย และการสึกหรอ ห้ามใช้เครื่องมือเมื่อใบมีดชำรุดเสียหาย
- ◆ ใช้ความระมัดระวังเพื่อหลีกเลี่ยงวัตถุที่แข็ง (เช่น ลวดโลหะหรือรางโลหะ) ในขณะที่ตัดเล็ม หากเครื่องของคุณสัมผัสวัตถุดังกล่าวโดยไม่ตั้งใจ ให้ปิดเครื่องทันทีแล้วตรวจหาการชำรุดเสียหายที่เกิดขึ้น
- ◆ หากเครื่องมือเริ่มสั่นผิดปกติ ให้ปิดสวิตช์เครื่องทันทีแล้วถอดแบตเตอรี่ออก จากนั้นตรวจหาการชำรุดเสียหายที่เกิดขึ้น
- ◆ ถ้าเครื่องดับ ให้ปิดสวิตช์เครื่องทันที ถอดแบตเตอรี่ออกก่อนที่จะเอาสิ่งอุดตันออก
- ◆ หลังจากการใช้งาน ให้ใส่ปลอกหุ้มใบมีดครอบใบมีดจัดเก็บเครื่องมือ และตรวจสอบให้แน่ใจว่าใบมีดไม่โผล่ออกมา
- ◆ ตรวจสอบให้แน่ใจทุกครั้งว่าได้ใส่ตัวครอบป้องกันทั้งหมดแล้วเมื่อจะใช้เครื่อง อย่าพยายามใช้เครื่องมือที่ไม่สมบูรณ์หรือเครื่องมือที่มีการดัดแปลงโดยไม่ได้รับอนุญาต
- ◆ อย่าปล่อยให้เด็กใช้เครื่องมือนี้
- ◆ ระวังเศษกิ่งไม้ที่ตกลงมาขณะตัดพุ่มไม้ด้านที่สูงขึ้น

- ◆ จับเครื่องมือด้วยมือทั้งสองข้างที่บริเวณที่จับของเครื่องมือเสมอ

## ความปลอดภัยของบุคคลอื่น

- ◆ เครื่องมือนี้ไม่ได้มีไว้เพื่อการใช้งานโดยบุคคล (ซึ่งรวมถึงผู้เยาว์) ที่มีความสามารถทางกายภาพ ความสามารถทางการรับรู้ หรือความสามารถทางสมองบกพร่อง หรือบุคคลซึ่งขาดประสบการณ์และความรู้ เว้นเสียแต่จะได้รับการควบคุมดูแลหรือคำแนะนำการใช้งานเครื่องมือจากผู้รับผิดชอบความปลอดภัยของบุคคลเหล่านั้น
- ◆ เด็กควรได้รับการควบคุมดูแลเพื่อให้แน่ใจว่าเด็กจะไม่เล่นเครื่องมือ

## ความเสี่ยงอื่นๆ ที่ยังมีอยู่

- ความเสี่ยงอื่นๆ ที่ไม่ได้ระบุในคำเตือนเพื่อความปลอดภัยนี้ อาจเกิดขึ้นได้เมื่อใช้เครื่องมือ ความเสี่ยงเหล่านี้ อาจเกิดขึ้นจากการใช้งานอย่างไม่ถูกต้อง การใช้งานเป็นเวลานาน เป็นต้น
- แม้ว่าจะปฏิบัติตามข้อกำหนดด้านความปลอดภัยที่เกี่ยวข้อง และใช้อุปกรณ์เสริม แต่ความเสี่ยงอื่นๆ ที่ยังมีอยู่บางอย่างก็ไม่สามารถหลีกเลี่ยงได้ ความเสี่ยงเหล่านี้ได้แก่
- ◆ การบาดเจ็บที่เกิดจากการสัมผัสชิ้นส่วนที่หมุน/เคลื่อนที่
  - ◆ การบาดเจ็บที่เกิดขึ้นขณะเปลี่ยนชิ้นส่วน ใบมีด หรืออุปกรณ์เสริม
  - ◆ การบาดเจ็บที่เกิดจากการใช้เครื่องมือเป็นเวลานาน เมื่อใช้เครื่องมือเป็นเวลานาน ต้องแน่ใจว่าคุณได้หยุดพักเป็นระยะ
  - ◆ ความบกพร่องในการได้ยินเสียง
  - ◆ อันตรายต่อสุขภาพที่เกิดจากการสูดดมฝุ่นจากการใช้เครื่องมือ (ตัวอย่างเช่น การทำงานกับไม้ โดยเฉพาะไม้ไผ่ ไม้บีช และไม้ MDF)

## สัญลักษณ์บนเครื่องมือ

รูปภาพและรหัสสีที่ต่อไปนี้จะปรากฏบนเครื่องมือ:



**คำเตือน!** เพื่อลดความเสี่ยงต่อการบาดเจ็บ ผู้ใช้ต้องอ่านคู่มือการใช้งานเล่มนี้



สวมแว่นตานิรภัยหรือหน้ากากป้องกันขณะใช้งานเครื่องมือนี้



สวมอุปกรณ์ป้องกันเสียงดังขณะใช้งานเครื่องมือนี้



อย่าให้เครื่องมือถูกฝนหรือได้รับความชื้นสูง

## ความปลอดภัยทางไฟฟ้า

## คำแนะนำเพื่อความปลอดภัยเพิ่มเติมสำหรับ แบตเตอรี่และเครื่องชาร์จ

### แบตเตอรี่

- ◆ ห้ามพยายามแกะตัวแบตเตอรี่ในทุกกรณี
- ◆ อย่าให้แบตเตอรี่สัมผัสน้ำ
- ◆ ห้ามเก็บแบตเตอรี่ในสถานที่ที่อุณหภูมิอาจสูงเกิน 40 °C
- ◆ ชาร์จแบตเตอรี่ที่อุณหภูมิห้องระหว่าง 10 °C ถึง 40 °C เท่านั้น
- ◆ ชาร์จแบตเตอรี่ด้วยเครื่องชาร์จที่ให้มาพร้อมอุปกรณ์เท่านั้น
- ◆ เมื่อจะทิ้งแบตเตอรี่ ให้ทำตามคำแนะนำในส่วน "การปกป้องสิ่งแวดล้อม"



อย่าพยายามชาร์จแบตเตอรี่ที่ชำรุดเสียหาย

### เครื่องชาร์จ

- ◆ ใช้เครื่องชาร์จ BLACK+DECKER เพื่อชาร์จแบตเตอรี่ภายในเครื่องที่ใหม่พร้อมกันเท่านั้น การชาร์จแบตเตอรี่ชนิดอื่นๆ อาจทำให้แบตเตอรี่ระเบิดและเกิดการบาดเจ็บและความเสียหายได้
- ◆ ห้ามชาร์จแบตเตอรี่ชนิดชาร์จซ้ำไม่ได้
- ◆ เปลี่ยนสายไฟที่ชำรุดทันที
- ◆ ห้ามให้เครื่องชาร์จสัมผัสน้ำ
- ◆ ห้ามแกะเปิดเครื่องชาร์จ
- ◆ ห้ามใช้สิ่งใดหย�เข้าไปในตัวเครื่องชาร์จ



เครื่องชาร์จนี้มีวัตถุประสงค์เพื่อการใช้งานในที่ร่มเท่านั้น



โปรดอ่านคู่มือการใช้งานก่อนใช้เครื่อง



เครื่องชาร์จนี้มีฉนวนสองชั้น ดังนั้นจึงไม่จำเป็นต้องต่อสายดิน ต้องตรวจสอบกำลังไฟเพื่อให้ตรงกับแรงดันไฟฟ้าบนแผ่นแสดงพิกัดเสมอ ห้ามเปลี่ยนสายปลั๊กไฟของเครื่องชาร์จเป็นสายปลั๊กไฟธรรมดาโดยเด็ดขาด

- ◆ หากสายไฟของตัวเครื่องชำรุดเสียหาย ต้องได้รับการเปลี่ยนโดยผู้ผลิตหรือศูนย์บริการของ BLACK+DECKER ที่ได้รับอนุญาตเพื่อหลีกเลี่ยงอันตรายที่อาจเกิดขึ้น

## ส่วนประกอบสำคัญ

เครื่องมือนี้มีส่วนประกอบสำคัญบางอย่างหรือทั้งหมดดังต่อไปนี้

1. สวิตช์
2. ปุ่มล๊อค

3. มือจับสวิตช์
4. ปุ่ม POWERCOMMAND
5. ตัวครอบใบมีด
6. ตัวยึดแบบหูหิ้ว
7. ใบมีด
8. แบตเตอรี่
9. เครื่องชาร์จ

## การประกอบ

**คำเตือน!** ต้องถอดแบตเตอรี่ออกจากเครื่องมือสวมใบมีดเข้ากับปลอกใบมีดก่อนการประกอบ

**คำเตือน!** ตรวจสอบให้แน่ใจว่าปิดสวิตช์เครื่องและถอดปลั๊กออก รวมถึงสวมปลอกใบมีดแล้วก่อนการประกอบ

**คำเตือน!** ห้ามใช้เครื่องมือโดยไม่มีตัวครอบป้องกัน

## ขั้นตอนการชาร์จ

เครื่องชาร์จ Black+decker ได้รับการออกแบบมาสำหรับชาร์จชุดแบตเตอรี่ของ Black+decker

- ◆ เสียบปลั๊กเครื่องชาร์จเข้ากับเต้ารับที่เหมาะสมก่อนใส่ก่อนแบตเตอรี่ลงไป
- ◆ ใส่ก่อนแบตเตอรี่ลงในเครื่องชาร์จตามที่แสดงในรูป A
- ◆ ไฟ LED สีเขียวจะกะพริบเพื่อบอกว่ากำลังชาร์จแบตเตอรี่อยู่
- ◆ เมื่อไฟ LED สีเขียวติดสว่างอย่างต่อเนื่อง แสดงว่าการชาร์จเสร็จเรียบร้อยแล้ว แบตเตอรี่จะมีไฟเต็มและสามารถนำไปใช้ได้เลย หรืออาจปล่อยให้เครื่องชาร์จก็ได้

**หมายเหตุ:** ชาร์จแบตเตอรี่ที่ไม่มีประจุทันทีหลังจากใช้งาน มิฉะนั้นอายุการใช้งานของแบตเตอรี่อาจลดลงอย่างมาก และเพื่อให้อายุของแบตเตอรี่ยาวนานที่สุดอย่าใช้แบตเตอรี่จนไม่มีไฟเหลืออยู่เลย ขอแนะนำให้ชาร์จแบตเตอรี่หลังจากการใช้งานแต่ละครั้ง

## การทิ้งแบตเตอรี่ไว้ในเครื่องชาร์จ

การต่อเครื่องชาร์จกับแบตเตอรี่นั้นสามารถปล่อยให้เชื่อมต่อได้ไม่จำกัดเวลาโดยที่ไฟ LED ติดสว่าง เครื่องชาร์จจะรักษาแบตเตอรี่และชาร์จไฟไว้ให้อยู่เสมอ

## หมายเหตุการชาร์จไฟที่สำคัญ

- ◆ การชาร์จไฟชุดแบตเตอรี่ที่อุณหภูมิระหว่าง 65 °F ถึง 75 °F (18 ° - 24 °C) จะช่วยให้อายุการใช้งานยาวนานที่สุดและมีสมรรถนะดีที่สุด อยาชาร์จแบตเตอรี่ที่อุณหภูมิต่ำกว่า +40 °F (+4.5 °C) หรือสูงกว่า +105 °F (+40.5 °C) ข้อกำหนดนี้สำคัญมาก และจะช่วยให้ป้องกันไม่ให้ชุดแบตเตอรี่เกิดความเสียหายร้ายแรง
- ◆ เครื่องชาร์จและแบตเตอรี่อาจแตะแล้วรู้สึกอุ่นๆ ขณะกำลังชาร์จ ซึ่งถือเป็นสภาพปกติและไม่ได้

แสดงว่าเครื่องเกิดปัญหาแต่อย่างใด วิธีที่จะช่วยระบายนความร้อนให้แบตเตอรี่หลังจากใช้งานคือพยายามอย่าวางเครื่องชาร์จหรือแบตเตอรี่ไว้ในสภาพแวดล้อมที่มีอุณหภูมิอุ่น เช่น ในบริเวณที่คลุมด้วยโลหะ หรือส่วนท้ายรถที่ไม่ได้หุ้มฉนวน

- ◆ หากแบตเตอรี่ไม่ชาร์จไฟตามปกติ:
  - ◆ ตรวจสอบกระแสไฟฟ้าที่เข้ารับการนำโคมาไฟหรือเครื่องใช้ไฟฟ้าอื่นๆ มาเสียบดู
  - ◆ ตรวจสอบดูว่าเต้ารับที่เชื่อมต่อกับสวิทช์ไฟตัดไฟเมื่อคุณปิดไฟหรือไม่
  - ◆ ย้ายเครื่องชาร์จและแบตเตอรี่ไปยังที่ซึ่งอุณหภูมิอากาศโดยรอบอยู่ที่ประมาณ 65 °F - 75 °F (18 ° - 24 °C)
  - ◆ หากยังคงประสบปัญหาการชาร์จอยู่ ให้นำเครื่องมือ ชุดแบตเตอรี่ และเครื่องชาร์จไปยังศูนย์บริการใกล้บ้าน
- ◆ ควรชาร์จไฟชุดแบตเตอรี่ซ้ำ เมื่อชุดแบตเตอรี่ไม่สามารถจ่ายพลังงานได้เพียงพอสำหรับงานที่เคยทำได้โดยง่าย อย่าใช้งานต่อไปภายใต้สถานการณ์เหล่านี้ ทำตามขั้นตอนการชาร์จ คุณยังอาจชาร์จแบตเตอรี่ที่ใช้ไฟไปบางส่วนในเวลาใดก็ตามที่คุณต้องการโดยไม่มีผลเสียต่อแบตเตอรี่อีกด้วย
- ◆ อย่าให้มีวัตถุแปลกปลอมที่มีคุณสมบัตินำไฟฟ้า เช่น ฝอยเหล็ก อะลูมิเนียมพอยล์ หรือการสะสมตัวของอนุภาคโลหะอยู่ในช่องใส่แบตเตอรี่ของเครื่องชาร์จ และถอดปลั๊กเครื่องชาร์จออกเสมอเมื่อไม่มีชุดแบตเตอรี่อยู่ในช่องใส่ รวมทั้งถอดปลั๊กเครื่องชาร์จทุกครั้งก่อนทำความสะอาด
- ◆ อย่าแช่แข็งหรือจุ่มเครื่องชาร์จในน้ำหรือของเหลวอื่นใด

**คำเตือน!** อย่าให้มีของเหลวเข้าไปภายในเครื่องชาร์จ ห้ามพยายามแกะชุดแบตเตอรี่ในทุกกรณี หากปลอกพลาสติกหุ้มชุดแบตเตอรี่แตกหรือร้าว ให้นำชุดแบตเตอรี่ดังกล่าวไปคืนศูนย์บริการเพื่อรีไซเคิล

### การติดตั้งและการถอดแบตเตอรี่ออกจากเครื่องมือ

**คำเตือน!** ตรวจสอบให้แน่ใจว่าปุ่มล็อคทำงานอยู่เพื่อป้องกันการเปิดสวิทช์เครื่องมือก่อนการถอดหรือติดตั้งแบตเตอรี่

#### เมื่อต้องการใส่แบตเตอรี่

- ◆ ใส่ก่อนแบตเตอรี่ (8) ลงในเครื่องมือจนกระทั่งได้ยินเสียงคลิก (รูป B)
- ◆ ตรวจสอบให้แน่ใจว่าใส่แบตเตอรี่เรียบร้อยแล้วและล็อคเข้าที่

#### เมื่อต้องการถอดแบตเตอรี่

- ◆ กดปุ่มปลดล็อคแบตเตอรี่ตามที่แสดงในรูป C และดึงแบตเตอรี่ออกจากเครื่องมือ

### คำแนะนำการประกอบ

**คำเตือน!** ตรวจสอบให้แน่ใจว่าได้ถอดแบตเตอรี่ออกก่อนจะทำการประกอบหรือถอดการประกอบชิ้นส่วนใดก็ตาม  
**เครื่องมือที่จำเป็นต้องใช้ในการประกอบ (ไม่มีมาให้):** เข็มควงปากแฉก

### การติดตั้งตัวครอบและด้ามจับแบบหุ้มเข้ากับเครื่องมือ

**คำเตือน!** ใช้เฉพาะกับด้ามจับและตัวครอบที่ประกอบเข้ากับเครื่องมือฟุ่มไม่อย่างถูกต้องเท่านั้น การใช้เครื่องมือฟุ่มไม่โดยปราศจากตัวครอบหรือด้ามจับที่เหมาะสมที่มีมาให้อาจทำให้เกิดอันตรายได้รับบาดเจ็บสาหัสได้

ตัวครอบจะได้รับการติดมากับเครื่องมือ และด้ามจับแบบหุ้มที่จะมีสายรัดพลาสติกแบบซิปติดมาด้วย วิธีการประกอบเครื่องมือ:

- ◆ ตัดสายรัดพลาสติกแบบซิปออก
- ◆ ขันสกรู 6 ตัวที่ยึดกับตัวเครื่องบางส่วนออก (รูป D)
- ◆ เลื่อนตัวครอบ (5) เข้าติดกับส่วนหน้าของตัวเครื่องมือตั้งที่แสดงในรูป E
- ◆ ใส่สกรู 2 ตัวเข้าในช่องด้านข้างของตัวครอบและขันให้แน่น
- ◆ เลื่อนด้ามจับแบบหุ้ม (6) ติดเข้ากับส่วนหน้าของตัวเครื่องมือ ให้อยู่หลังตัวครอบตั้งที่แสดงในรูป F
- ◆ ใส่สกรูที่เหลืออยู่อีก 4 ตัว ลงในช่องด้านข้างของด้ามจับแบบหุ้มและขันให้แน่น

### การใช้งาน

- ◆ หากต้องการเปิดเครื่อง ให้ดันปุ่มล็อค (2) ลง มีสวิทช์ (1) ตั้งที่แสดงในรูป G เมื่อเครื่องเปิดทำงานแล้ว คุณจึงปล่อยปุ่มล็อคได้ เมื่อต้องการเปิดใช้งานเครื่องมืออย่างต่อเนื่อง ให้มีสวิทช์ค้างไว้ไปเรื่อยๆ
  - ◆ เมื่อต้องการปิดเครื่อง ให้ปล่อยสวิทช์
- คำเตือน!** อย่าพยายามล็อคสวิทช์ในตำแหน่ง ON

### คำแนะนำการเสียบตัด

- ◆ ควรยืนในท่าที่เหมาะสมและสมดุลอยู่ตลอดเวลา และห้ามยื่นแขน สวมแว่นนิรภัย รองเท้าที่ป้องกันการสั่นเมื่อทำการตัดเล็ม ถัดเครื่องมือให้แน่นด้วยมือทั้งสองข้างและเปิดสวิทช์เครื่องไปที่ ON ในถ้อยเครื่องมือตามที่แสดงไว้ตามรูปในคู่มือนี้ โดยใช้มือหนึ่งจับที่ด้ามจับสวิทช์ และอีกมือหนึ่งจับที่ด้ามจับแบบหุ้ม (รูป H) ห้ามถือเครื่องโดยจับตรงตัวครอบใบมีด

## การเล็มตัดต้นอ่อนที่เพิ่งขึ้นใหม่ (รูป I)

- ◆ การเคลื่อนที่โดยกวาดไปรอบๆ เป็นวงกว้าง โดยให้ใบมีดตัดผ่านกิ่งก้านนั้นเป็นวิธีที่ได้ผลดีที่สุด การเอียงใบมีดลงเล็กน้อยในทิศทางที่กำลังเคลื่อนที่จะให้ผลการตัดที่ดีที่สุด

**คำเตือน!** ห้ามตัดก้านที่มีขนาดใหญ่กว่า 19 มม.

ใช้เครื่องมือเล็มพุ่มไม้สำหรับการตัดไม้พุ่มเตี้ยรอบบริเวณบ้านและอาคารเท่านั้น

## ตัดแต่งพุ่มไม้แนวราบ (รูป J)

- ◆ หากต้องการตัดแต่งพุ่มไม้ให้เป็นแนวราบเรียบเสมอกัน สามารถใช้สายเชือกขึงตามแนวความยาวของพุ่มไม้เพื่อใช้เป็นแนวสำหรับการตัดได้

## การเล็มตัดด้านข้าง (รูป K)

- ◆ ถือเครื่องมือตามแบบที่แสดงในรูปและเริ่มต้นการตัดโดยกวาดจากด้านล่างขึ้นสู่ด้านบน

## ปุ่ม POWERCOMMAND

หากคุณเกิดปัญหาเครื่องมือติดขัด ให้กดปุ่ม POWERCOMMAND (4) ดังที่แสดงในรูป I ใบมีดจะเลื่อนไปด้านหลังและหลังข้างล่าง เป็นจังหวะที่หนักแน่นมากขึ้น เพื่อช่วยในการตัดกิ่งก้านที่ตัดได้ยาก ปลดปล่อยปุ่มและกลับเข้าสู่โหมดการใช้งานการตัดเล็มปกติ

**หมายเหตุ:** เมื่อปล่อยปุ่มแล้ว ใบมีดจะกลับเข้าสู่โหมดความเร็วสูงสุดทันที

**หมายเหตุ:** ใบมีดจะหยุดทำงานเมื่อมีการกดปุ่มค้างไว้ 15 วินาที หากต้องการเปิดใช้คุณลักษณะ POWERCOMMAND อีกครั้ง ให้ปล่อยปุ่มและกดใหม่อีกครั้ง อย่างกดปุ่ม POWERCOMMAND ค้างไว้ต่อเนื่องในระหว่างการใช้งานการเล็มตัดแบบปกติ

## การบำรุงรักษา

เครื่องมือแบบมีสาย/ไร้สายของ BLACK+DECKER ได้รับการออกแบบมาเพื่อให้สามารถใช้งานได้ยาวนานต่อเนื่องโดยมีการบำรุงรักษาน้อยที่สุด การทำงานที่สร้างความพึงพอใจอย่างต่อเนื่องจะขึ้นอยู่กับการดูแลรักษาเครื่องมืออย่างเหมาะสมและการทำความสะอาดอย่างสม่ำเสมอ

**คำเตือน!** ก่อนทำการบำรุงรักษาเครื่องมือไฟฟ้าแบบมีสาย/ไร้สาย จะต้อง:

- ◆ ปิดสวิตช์และถอดปลั๊กอุปกรณ์/เครื่องมือ
- ◆ หรือปิดสวิตช์และถอดแบตเตอรี่ออกจากอุปกรณ์/เครื่องมือ ถ้าอุปกรณ์/เครื่องมือมีชุดแบตเตอรี่แยกต่างหาก
- ◆ หรือใช้แบตเตอรี่จนหมดถ้าแบตเตอรี่อยู่รวมกับเครื่อง จากนั้นให้ปิดสวิตช์
- ◆ ถอดปลั๊กเครื่องชาร์จออกก่อนจะทำความสะอาด เครื่องชาร์จไม่ต้องการการดูแลพิเศษอื่นใดนอกเหนือ

จากการทำความสะอาดเป็นประจำ

- ◆ ทำความสะอาดของระบายนอกอากาศในอุปกรณ์/เครื่องมือ/เครื่องชาร์จของคุณเป็นประจำโดยใช้แปรงขนอ่อนหรือผ้าแห้ง
  - ◆ ทำความสะอาดตัวมอเตอร์โดยใช้ผ้าชุบน้ำหมาดๆ ห้ามใช้น้ำยาทำความสะอาดที่มีฤทธิ์กัดกร่อนหรือมีส่วนผสมของตัวทำละลาย
  - ◆ หลังจากการใช้งาน ให้ทำความสะอาดใบมีดอย่างระมัดระวัง หลังจากการทำมาสะอาด ให้ทาน้ำมันเครื่องจักรบางๆ เพื่อป้องกันใบมีดเป็นสนิม
- ใบมีดสำหรับตัดได้รับการผลิตมาจากเหล็กเนื้อแข็ง คุณภาพสูง และด้วยการใช้งานแบบปกติ ตัวใบมีดไม่จำเป็นต้องมีการลับให้คมอยู่เสมอ อย่างไรก็ตาม หากคุณเกิดใช้งานโดนรั้วลวดหนาม, หิน, แก้ว หรือวัตถุของแข็งอื่นๆ โดยไม่ได้ตั้งใจ อาจทำให้เกิดรอยบากของใบมีดได้ ไม่จำเป็นต้องมีการกำจัดรอยตำหนินี้ ออกไปทราบใดที่ยังไม่กระทบกับการเคลื่อนที่ของใบมีด

หากรอยตำหนินี้ทำให้เกิดการรบกวนต่อการทำงาน ให้ถอดแบตเตอรี่และใช้ตะไบลับ หรือหินลับเพื่อลบรอยตำหนินั้น หากคุณพบเครื่องเล็มตก ให้ตรวจสอบร่องรอยความเสียหายอย่างละเอียด หากใบมีดคดงอ ตัวเครื่องแตกกร้าว หรือด้ามจับหัก หรือหากคุณเห็นสภาพความเสียหายอื่นๆ ที่อาจส่งผลต่อการทำงานของเครื่องมือ ให้ติดต่อศูนย์บริการ BLACK+DECKER ใกล้บ้านเพื่อขอรับการซ่อมแซมก่อนที่จะนำไปใช้งานอีกครั้ง ปุ่มและสารเคมีอื่นมีสารที่เร่งการกัดกร่อนของโลหะอย่างรวดเร็ว อย่างไรก็ตามเครื่องมือบางชนิดติดกับปุ๋ยหรือสารเคมี เมื่อถอดแบตเตอรี่ออกแล้ว ให้ทำความสะอาดเครื่องมือใช้น้ำสบู่อ่อนและผ้าชุบน้ำหมาดๆ เท่านั้น อย่าให้มีมือของเหลวใดๆ เข้าไปในเครื่องเด็ดขาด ห้ามจุ่มส่วนใดๆ ของเครื่องลงในของเหลวเด็ดขาด ทาน้ำมันเครื่องจักรบางๆ เพื่อป้องกันใบมีดเป็นสนิมหลังจากทำความสะอาด

## การแก้ปัญหา

ปัญหา	สาเหตุที่เป็นไปได้	การแก้ไขที่สามารถทำได้
ทำงานช้า, มีเสียงรบกวน หรือใบมีด เกิดความ ร้อน	ใบมีดแห้ง ผุกร่อน	หยอดน้ำมันหล่อลื่นให้ใบมีด
	ใบมีดหรือตัวรองใบเลื่อยคดงอ	ทำให้ใบมีดหรือตัวรองใบมีดตรง
	ฟันใบมีดคดงอหรือเสียหาย	ทำให้ฟันใบมีดตรง
	สลักที่ใบมีดหลวม	ขันสลักที่ใบมีดให้แน่น
เครื่องไม่เริ่ม ทำงาน	ใส่แบตเตอรี่ไม่ถูกต้อง	ตรวจสอบการใส่แบตเตอรี่
	แบตเตอรี่ไม่ชาร์จ	ตรวจสอบข้อกำหนดการชาร์จแบตเตอรี่
	ปุ่มล็อคทำงานไม่เต็มที่	ตรวจสอบว่าได้กดปุ่มล็อคจนสุดแล้วก่อนจะกดสวิตช์หลัก
แบตเตอรี่ ไม่ชาร์จ	ไม่ได้ใส่แบตเตอรี่ในเครื่องชาร์จ	ใส่ชุดแบตเตอรี่ลงในเครื่องชาร์จจนกระทั่งไฟ LED สีเขียว ติดสว่าง ชาร์จแบตเตอรี่ 8 ชั่วโมงหากแบตเตอรี่ไม่มีไฟ เหลืออยู่เลย
	เครื่องชาร์จไม่ได้เสียบไฟ	เสียบเครื่องชาร์จเข้ากับเต้าเสียบที่ใช้งานได้ โปรดดู รายละเอียดเพิ่มเติมใน "หมายเหตุสำคัญสำหรับการชาร์จ" ตรวจสอบกระแสไฟฟ้าที่ตัวรับด้วยการนำโคมไฟหรือ เครื่องใช้ไฟฟ้าอื่นๆ มาเสียบดู ตรวจสอบดูว่าตัวรับที่ เชื่อมต่อกับสวิตช์ไฟตัดไฟเมื่อคุณปิดไฟหรือไม่
	อุณหภูมิโดยรอบร้อนเกินไปหรือเย็นเกินไป	ย้ายแท่นชาร์จและเครื่องมือไปในบริเวณที่มีอุณหภูมิของ อากาศโดยรอบสูงกว่า 40 องศาฟาเรนไฮต์ (4.5 °C) หรือต่ำกว่า 105 องศาฟาเรนไฮต์ (+40.5 °C)

## การปกป้องสิ่งแวดล้อม



การเก็บรวบรวมแบบคัดแยก ห้ามทิ้งผลิตภัณฑ์  
และแบตเตอรี่ที่มีสัญลักษณ์นี้ร่วมกับขยะใน  
ครัวเรือนปกติ

ผลิตภัณฑ์และแบตเตอรี่ประกอบด้วยวัสดุที่สามารถ  
นำกลับมาใช้ใหม่หรือรีไซเคิลได้ เพื่อลดความต้องการ  
วัตถุดิบ โปรดรีไซเคิลอุปกรณ์ไฟฟ้าและแบตเตอรี่  
ตามข้อบังคับในท้องถิ่น

## ข้อมูลการบริการ

BLACK+DECKER ให้บริการเครือข่ายศูนย์บริการของ  
บริษัทเองและศูนย์ฯ ที่ได้รับการรับรองเต็มรูปแบบ  
ทั่วทั้งทวีปเอเชีย ศูนย์บริการ BLACK+DECKER ทุกแห่ง  
มีพนักงานที่ผ่านการฝึกอบรมเพื่อให้บริการผลิตภัณฑ์  
ได้อย่างมีประสิทธิภาพและเชื่อถือได้

ไม่ว่าคุณจะต้องการคำแนะนำด้านเทคนิค  
การซ่อมแซมหรืออะไหล่แท้จากโรงงาน โปรดติดต่อ  
ศูนย์ BLACK+DECKER ใกล้บ้าน

## หมายเหตุ

- ◆ เนื่องจาก BLACK+DECKER มินโยบายพัฒนา  
ปรับปรุงผลิตภัณฑ์อย่างต่อเนื่อง ดังนั้นเราจึง  
ขอสงวนสิทธิ์ในการเปลี่ยนแปลงข้อมูลจำเพาะ  
ของผลิตภัณฑ์โดยไม่ต้องแจ้งให้ทราบล่วงหน้า
- ◆ อุปกรณ์มาตรฐานและอุปกรณ์เสริมอาจแตกต่างกัน  
ในแต่ละประเทศ
- ◆ ข้อมูลจำเพาะของผลิตภัณฑ์อาจแตกต่างกันใน  
แต่ละประเทศ
- ◆ ตัวเลือกผลิตภัณฑ์อาจมีจำหน่ายไม่ครบทุกรายการ  
ในบางประเทศ โปรดสอบถามรุ่นผลิตภัณฑ์ที่มี  
จำหน่ายจากตัวแทนจำหน่ายของ BLACK+DECKER  
ในประเทศของคุณ