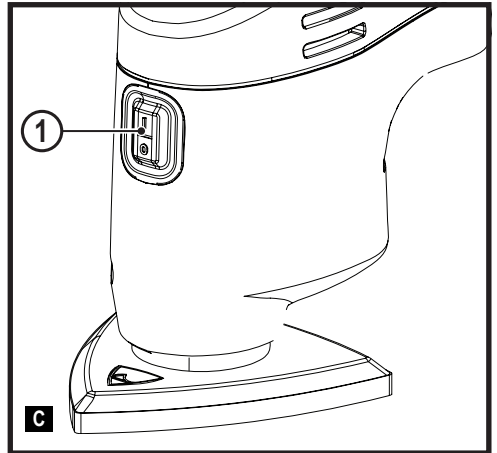
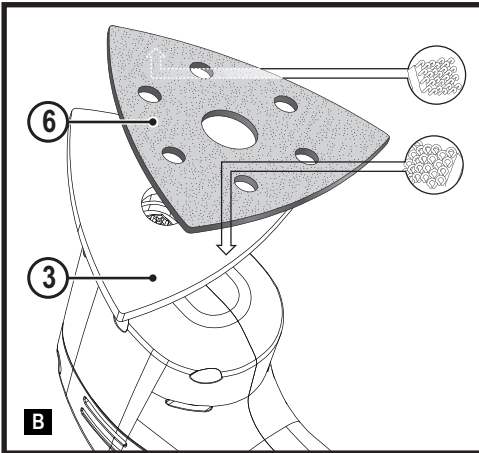
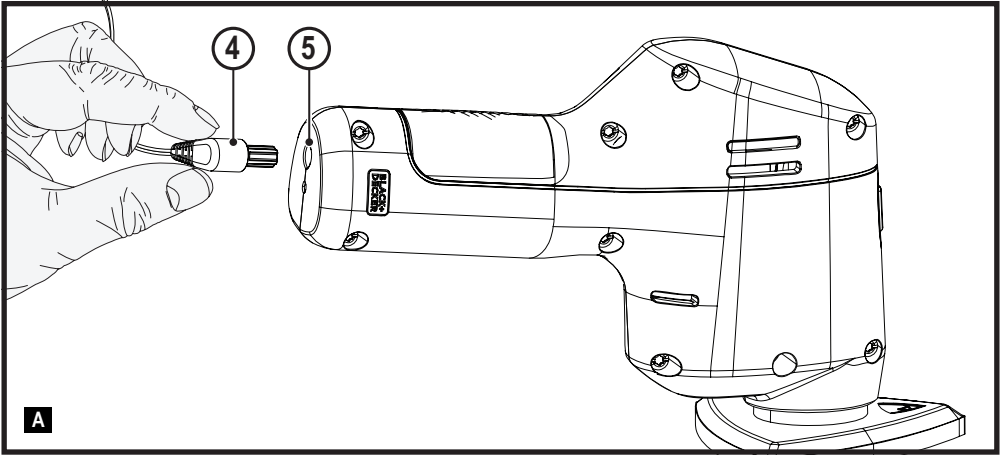


www.blackanddecker.com

English	03
繁體中文	09
한국어	14
Bahasa Indonesia	19
ภาษาไทย	25



REVDS12C



REVDS12C

SANDER

Technical data

REVDS12C		
Input voltage	V _{dc}	10.8 (12 Max)
No-load speed	OPM	11000
Oscillating angle	°	2.8
Sanding base surface	mm ²	5078
Weight	kg	0.862

Battery		
Battery Type		Li-Ion
Capacity	Ah	1.5

S010QV1400040		
Input voltage	V _{AC}	100-240
Output voltage	V _{DC}	14
Current	mA	400
Approx. charge time	h	4

* Maximum initial battery pack voltage (Measured without a workload) is 12 volts. Measured under a workload, nominal voltage is 10.8 V.

Intended use

Your BLACK+DECKER REVDS12C sander has been designed for sanding wood, metal, plastics and painted surfaces. This tool is intended for consumer use only.

Safety instructions

General power tool safety warnings



Warning! Read all safety warnings, instructions, illustrations and specifications provided with this power tool. Failure to follow the warnings and instructions listed below may result in electric shock, fire and/or serious injury.

Save all warnings and instructions for future reference.

The term "power tool" in all of the warnings listed below refers to your mains operated (corded) power tool or battery operated (cordless) power tool.

1. Work area safety

- a. **Keep work area clean and well lit.** Cluttered or dark areas invite accidents.

- b. **Do not operate power tools in explosive atmospheres, such as in the presence of flammable liquids, gases or dust.** Power tools create sparks which may ignite the dust or fumes.
- c. **Keep children and bystanders away while operating a power tool.** Distractions can cause you to lose control.

2. Electrical safety

- a. **Power tool plugs must match the outlet. Never modify the plug in any way. Do not use any adapter plugs with earthed (grounded) power tools.** Unmodified plugs and matching outlets will reduce risk of electric shock.
- b. **Avoid body contact with earthed or grounded surfaces such as pipes, radiators, ranges and refrigerators.** There is an increased risk of electric shock if your body is earthed or grounded.
- c. **Do not expose power tools to rain or wet conditions.** Water entering a power tool will increase the risk of electric shock.
- d. **Do not abuse the cord. Never use the cord for carrying, pulling or unplugging the power tool. Keep cord away from heat, oil, sharp edges or moving parts.** Damaged or entangled cords increase the risk of electric shock.
- e. **When operating a power tool outdoors, use an extension cord suitable for outdoor use.** Use of a cord suitable for outdoor use reduces the risk of electric shock.
- f. **If operating a power tool in a damp location is unavoidable, use a residual current device (RCD) protected supply.** Use of an RCD reduces the risk of electric shock.

3. Personal safety

- a. **Stay alert, watch what you are doing and use common sense when operating a power tool. Do not use a power tool while you are tired or under the influence of drugs, alcohol or medication.** A moment of inattention while operating power tools may result in serious personal injury.
- b. **Use personal protective equipment. Always wear eye protection.** Protective equipment such as a dust mask, non-skid safety shoes, hard hat, or hearing protection used for appropriate conditions will reduce personal injuries.
- c. **Prevent unintentional starting. Ensure the switch is in the off-position before connecting to power source and/or battery pack, picking up or carrying the tool.** Carrying power tools with your finger on the switch or energising power tools that have the switch on invites accidents.

- d. **Remove any adjusting key or wrench before turning the power tool on.** A wrench or a key left attached to a rotating part of the power tool may result in personal injury.
- e. **Do not overreach. Keep proper footing and balance at all times.** This enables better control of the power tool in unexpected situations.
- f. **Dress properly. Do not wear loose clothing or jewellery. Keep your hair, clothing and gloves away from moving parts.** Loose clothes, jewellery or long hair can be caught in moving parts.
- g. **If devices are provided for the connection of dust extraction and collection facilities, ensure these are connected and properly used.** Use of dust collection can reduce dust-related hazards.
- h. **Do not let familiarity gained from frequent use of tools allow you to become complacent and ignore tool safety principles.** A careless action can cause severe injury within a fraction of a second.
- 4. Power tool use and care**
- a. **Do not force the power tool. Use the correct power tool for your application.** The correct power tool will do the job better and safer at the rate for which it was designed.
- b. **Do not use the power tool if the switch does not turn it on and off.** Any power tool that cannot be controlled with the switch is dangerous and must be repaired.
- c. **Disconnect the plug from the power source and/or the battery pack from the power tool before making any adjustments, changing accessories, or storing power tools.** Such preventive safety measures reduce the risk of starting the power tool accidentally.
- d. **Store idle power tools out of the reach of children and do not allow persons unfamiliar with the power tool or these instructions to operate the power tool.** Power tools are dangerous in the hands of untrained users.
- e. **Maintain power tools and accessories. Check for misalignment or binding of moving parts, breakage of parts and any other condition that may affect the power tools operation. If damaged, have the power tool repaired before use.** Many accidents are caused by poorly maintained power tools.
- f. **Keep cutting tools sharp and clean.** Properly maintained cutting tools with sharp cutting edges are less likely to bind and are easier to control.
- g. **Use the power tool, accessories and tool bits etc. in accordance with these instructions, taking into account the working conditions and the work to be performed.** Use of the power tool for operations different from those intended could result in a hazardous situation.
- h. **Keep handles and grasping surfaces dry, clean and free from oil and grease.** Slippery handles and grasping surfaces do not allow for safe handling and control of the tool in unexpected situations.
- 5. Battery tool use and care**
- a. **Recharge only with the charger specified by the manufacturer.** A charger that is suitable for one type of battery pack may create a risk of fire when used with another battery pack.
- b. **Use power tools only with specifically designated battery packs.** Use of any other battery packs may create a risk of injury and fire.
- c. **When battery pack is not in use, keep it away from other metal objects, like paper clips, coins, keys, nails, screws, or other small metal objects, that can make a connection from one terminal to another.** Shorting the battery terminals together may cause burns or a fire.
- d. **Under abusive conditions, liquid may be ejected from the battery; avoid contact. If contact accidentally occurs, flush with water. If liquid contacts eyes, additionally seek medical help.** Liquid ejected from the battery may cause irritation or burns.
- e. **Do not use a battery pack or tool that is damaged or modified.** Damaged or modified batteries may exhibit unpredictable behaviour resulting in fire, explosion or risk of injury.
- f. **Do not expose a battery pack or tool to fire or excessive temperature.** Exposure to fire or temperature above 130 °C may cause explosion.
- g. **Follow all charging instructions and do not charge the battery pack or tool outside the temperature range specified in the instructions.** Charging improperly or at temperatures outside the specified range may damage the battery and increase the risk of fire.
- 6. Service**
- a. **Have your power tool serviced by a qualified repair person using only identical replacement parts.** This will ensure that the safety of the power tool is maintained.
- b. **Never service damaged battery packs.** Service of battery packs should only be performed by the manufacturer or authorized service providers.
- Additional power tool safety warnings**



Warning! Additional safety warnings for sanders



Warning! Contact with or inhalation of dusts arising from sanding applications may endanger the health of the operator and possible bystanders. Wear a dust mask specifically designed for protection against dust and fumes and ensure that persons within or entering the work area are also protected.

- ◆ **Hold power tool by insulated gripping surfaces when performing an operation where the sanding accessory may contact hidden wiring.** Accessory contacting a "live" wire may make exposed metal parts of the power tool "live" and could give the operator an electric shock.
- ◆ **Use clamps or another practical way to secure and support the workpiece to a stable platform.** Holding the work by hand or against your body leaves it unstable and may lead to loss of control.



Warning! Take special care when sanding some woods (e.g. beech, oak) and metal which may produce toxic dust. Wear a dust mask specifically designed for protection against toxic dust and fumes and ensure that persons within or entering the work area are also protected.



Warning! Use this tool in a well ventilated area when sanding ferrous metals. Do not operate the tool near flammable liquids, gases or dust. Sparks or hot particles from sanding or arcing motor brushes may ignite combustible materials.



Warning! Do not sand magnesium! There is a risk of fire or explosions.

- ◆ Thoroughly remove all dust after sanding.
- ◆ The intended use is described in this instruction manual. The use of any accessory or attachment or performance of any operation with this tool other than those recommended in this instruction manual may present a risk of personal injury and/or damage to property.

Safety when sanding paint



Warning! Observe the applicable regulations for sanding paint. Pay special attention to the following:

- ◆ Whenever possible, use a vacuum extractor for dust collection.
- ◆ Take special care when sanding paint which is possibly lead based and may produce toxic dust:
 - ◆ Do not let children or pregnant women enter the work area.

- ◆ All persons entering the work area should wear a mask specially designed for protection against lead paint dust and fumes.
- ◆ Do not eat, drink or smoke in the work area.
- ◆ Dispose of dust particles and any other removal debris safely.

Safety of others

- ◆ This appliance is not intended for use by persons (including children) with reduced physical, sensory or mental capabilities, or lack of experience and knowledge, unless they have been given supervision or instruction concerning use of the appliance by a person responsible for their safety.
- ◆ Children should be supervised to ensure that they do not play with the appliance.

Residual risks.

Additional residual risks may arise when using the tool which may not be included in the enclosed safety warnings. These risks can arise from misuse, prolonged use etc.

Even with the application of the relevant safety regulations and the implementation of safety devices, certain residual risks can not be avoided. These include:

- ◆ Injuries caused by touching any rotating/moving parts.
- ◆ Injuries caused when changing any parts, blades or accessories.
- ◆ Injuries caused by prolonged use of a tool. When using any tool for prolonged periods ensure you take regular breaks.
- ◆ Impairment of hearing.
- ◆ Health hazards caused by breathing dust developed when using your tool (example:- working with wood, especially oak, beech and MDF.)

Additional safety instructions for batteries and chargers

Batteries

- ◆ Never attempt to open for any reason.
- ◆ Do not expose the battery to water.
- ◆ Do not store in locations where the temperature may exceed 40 °C.
- ◆ Charge only at ambient temperatures between 10 °C and 40 °C.
- ◆ Charge only using the charger provided with the tool.
- ◆ When disposing of batteries, follow the instructions given in the section "Protecting the environment".



Do not attempt to charge damaged batteries.

Chargers

- ◆ Use your BLACK+DECKER charger only to charge the battery in the tool with which it was supplied. Other batteries could burst, causing personal injury and damage.
- ◆ Never attempt to charge non-rechargeable batteries.
- ◆ Have defective cords replaced immediately.
- ◆ Do not expose the charger to water.
- ◆ Do not open the charger.
- ◆ Do not probe the charger.



The charger is intended for indoor use only.



Read the instruction manual before use.

Labels on tool

The following pictograms along with the date code are shown on the tool:



Warning! To reduce the risk of injury, the user must read the instruction manual.



Wear a dust mask.

Electrical safety



Your charger is double insulated; therefore no earth wire is required. Always check that the mains voltage corresponds to the voltage on the rating plate. Never attempt to replace the charger unit with a regular mains plug.

- ◆ If the supply cord is damaged, it must be replaced by the manufacturer or an authorised BLACK+DECKER Service Centre in order to avoid a hazard.

Features

This tool includes some or all of the following features.

1. On/off switch
2. Handle
3. Sanding base
4. Charger

Charging the battery (fig. A)

The integral battery needs to be charged before first use and whenever it fails to produce sufficient power on jobs that were easily done before. The battery may become warm while charging; this is normal and does not indicate a problem.

Warning! Do not charge the battery at ambient temperatures below 10 °C or above 40 °C. Recommended charging temperature: approx. 24 °C.

Note: The charger will not charge a battery if the cell temperature is below approximately 10 °C or above 40 °C.

The integral battery should be left connected to the charger and the charger will begin to charge automatically when the cell temperature warms up or cools down.

- ◆ Insert the charging connector (4) into the charging port (5).
- ◆ Plug in the charging connector (4).
- ◆ Leave the tool connected to the charger for around 4 hours.
- ◆ The charging indicator will illuminate during charging.

Assembly

Warning! Before assembly, make sure that the tool is switched off.

Fitting sanding sheets (Fig. C)

- ◆ Attach a sanding sheet (6) by pressing the 'hooked' velcro side to the 'looped' velcro underside of the sanding base (3).

Use

Warning! Let the tool work at its own pace. Do not overload.

Switching on and off

- ◆ To switch the tool on, depress the on/off switch (1) at the forward position I.
- ◆ To switch the tool off, depress the on/off switch (1) at the back position O.

Maintenance

Your tool has been designed to operate over a long period of time with a minimum of maintenance. Continuous satisfactory operation depends upon proper tool care and regular cleaning.

Warning! Before performing any maintenance, switch off.

- ◆ Regularly clean the ventilation slots in your tool using a soft brush or dry cloth.
- ◆ Regularly clean the motor housing using a damp cloth. Do not use any abrasive or solvent-based cleaner.

Protecting the environment



Separate collection. Products and batteries marked with this symbol must not be disposed of with normal household waste.

Products and batteries contain materials that can be recovered or recycled reducing the demand for raw materials. Please recycle electrical products and batteries according to local provisions. Further information is available at www.2helpU.com

Service Information

BLACK+DECKER offers a full network of company-owned and authorized service locations throughout Asia. All BLACK+DECKER Service Centers are staffed with trained personnel to provide customers with efficient and reliable product service.

Whether you need technical advice, repair, or genuine factory replacement parts, contact the BLACK+DECKER location nearest to you.

Note

- BLACK+DECKER's policy is one of continuous improvement to our products and, as such, we reserve the right to change product specifications without prior notice.
- Standard equipment and accessories may vary by country.
- Product specifications may differ by country.
- Complete product range may not be available in all countries. Contact your local BLACK+DECKER dealers for range availability.

REVDS12C

磨砂機

技術資料

REVDS12C		
輸入電壓	V_{ac}	10.8 (12 Max)
空載轉速	OPM	11000
震動角度	°	2.8
底盤尺寸	mm ²	5078
重量	kg	0.862

電池		
電池類型		Li-Ion
容量	Ah	1.5

充電器		
S010QU1400040		
輸入電壓	V_{ac}	100-240
輸出電壓	V_{dc}	14
電流	mA	400
大致充電時間	h	4

* 電池組 (在無工作負荷的情況下測量) 的最大初始電壓為 12 伏特。在有工作負荷的情況下測量, 名義電壓為 10.8 伏特。

設計用途

您的 BLACK+DECKER REVDS12C 磨砂機適用於木材、金屬、塑料和塗漆表面進行砂磨。

本工具僅供一般消費者 DIY 家庭使用, 營業性使用者不適用百得一年保修條款。

安全說明

電動工具通用安全警告



警告! 請閱讀本電動工具隨附的所有安全警告、指示、圖示和規格。不遵循下列所有指示可能會導致觸電、火災及/或嚴重傷害。

保存所有警告和說明書以備今後查閱。以下所有警告中列出的“電動工具”指的是電驅動(有線)電動工具或電池驅動(無線)電動工具。

1. 工作場地安全

- 請保持工作場地清潔明亮。混亂或昏暗的場地會引發事故。
- 請勿在易爆環境, 如有易燃液體、氣體或粉塵的環境中操作電動工具。電動工具產生的火花會點燃粉塵或氣體。
- 請等待兒童和旁觀者離開之後才操縱電動工具。分心會導致您疏於控制。

2. 電氣安全

- 電動工具插頭必須與插座相符。不得以任何方式改裝插頭。需接地的電動工具不能使用任何配接器插頭。未經改裝的插頭和相符的插座可以減少觸電危險。
- 避免人體接觸接地表面, 如管道、散熱片、爐灶和冰箱。若您的身體接地, 會增加觸電危險。
- 請勿將電動工具暴露在雨中或潮濕環境中。水進入電動工具會增加觸電危險。
- 請勿濫用電線。請勿使用電線來搬運、拉動電動工具或拔出插頭。請讓電線遠離熱、油、銳邊和轉動部件。受損或纏繞的電線會增加觸電危險。
- 若要在戶外使用電動工具, 請使用適合戶外使用的延長電線。使用適合戶外使用的電線可減少觸電危險。
- 若必須在潮濕場合使用電動工具, 請使用漏電保護器 (RCD)。使用 RCD 可降低觸電危險。

3. 人身安全

- 保持警覺; 在操作電動工具時, 請留意所執行的操作並按照一般的程式執行。請勿在疲倦或在受到毒品、酒精或藥品的影響時使用電動工具。操作電動工具期間注意力分散會導致嚴重人身傷害。
- 使用個人防護裝置。始終佩戴護目裝置。防護裝置, 例如在適當條件下使用的防塵面具、防滑安全鞋、安全帽或聽力保護等裝置可減少人身傷害。
- 避免意外啟動。連接電源及/或電池組、舉抬或搬運電動工具之前, 請確定開關處於關閉位置。若搬運電動工具時將手指放在開關上, 或者在電動工具開關開啟時將插頭插入電源插座, 這兩種行為都會引發事故。
- 啟動電動工具之前, 請卸下所有的調整鑰匙或扳手。遺留在電動工具旋轉部件上的扳手或鑰匙會導致人身傷害。
- 請勿過度伸展雙手。時刻注意腳下與身體的平衡。如此即可在發生意外的情況下更好地控制電動工具。
- 適當穿著。請勿穿寬鬆衣服或佩戴飾品。讓頭髮、衣服和手套遠離轉動部件。寬鬆衣服、飾品和長髮可能會捲入轉動部件。
- 若配備用於連接排屑裝置和集塵設備的裝置, 請確定正確連接和使用這些裝置。使用集塵設備可減少與粉塵有關的危險。
- 請勿因頻繁使用工具, 對其十分熟悉, 而讓您變得自滿, 忽略工具的安全原則。粗心大意就會在瞬間造成嚴重傷害。

4. 電動工具的使用與注意事項

- 請勿超負荷使用電動工具。請根據不同應用需求使用正確的電動工具。若使用的電動工具正確無誤, 該工具能以設計額定值更有效、更安全地執行工作。
- 若開關不能開啟或關閉電源, 請勿使用該電動工具。若開關無法控制電動工具, 則電動工具存在危險, 必須予以維修。
- 在進行任何調整、更換配件或存放工具前, 必須從電源上拔掉插頭及/或取下電池組。這類防護性措施可降低電動工具意外啟動的風險。
- 請將閒置的電動工具存放在兒童無法觸及的地方, 同時請勿讓不熟悉電動工具或對這些使用說明不瞭解的人員操作電動工具。電動工具在未經培訓的使用者手中會發生危險。
- 維護電動工具。檢查轉動部件是否對準或卡住、破損情況以及是否存在影響電動工具運行的其他情況。若有損壞, 這必須在使用之前修理電動工具。許多事故都是由於電動工具欠缺維

護所導致。

- f. 保持刀具鋒利和清潔。妥善維護的帶利刃的切削工具不會被輕易卡住，而且更易控制。
- g. 使用電動工具、配件和工具刀頭等時，請遵循這些指示使用，並且亦需考慮工作環境和有待執行的工作。不按照設計目的使用電動工具會導致危險。
- h. 請保持手柄和握持面乾燥、清潔，不油膩。在意外情況下，滑膩的手柄和握持面會致使你無法安全地應對和控制工具。

5. 電池工具的使用與注意事項

- a. 只能使用製造商指定的充電器為電池充電。使用僅適合一種電池組的充電器為其他類型的電池組充電會存在火災風險。
- b. 請使用原廠的電動工具電池組。使用其他非原廠的電池組存在人身傷害和火災危險。
- c. 不使用電池組時，請讓其遠離如迴紋針、硬幣、鑰匙、釘子、螺釘以及其他可連通電池兩極的金屬物品。短接電池端子可能會引發燃燒或火災。
- d. 濫用電池的情況下，液體會從電池中噴出；避免與液體接觸。如果不慎接觸到電池液，請用水沖洗。如果電池液接觸到雙眼，請就醫。從電池噴出的液體會刺激皮膚或造成灼傷。
- e. 請勿使用已經損壞或改動的電池組或工具。損壞或改動的電池可能表現出不可預計的行為，導致火災、爆炸或傷害風險。
- f. 請勿讓電池組或工具暴露於火中或過高溫度的環境中。暴露於火中或溫度超過 130°C 的環境中可能導致爆炸。
- g. 請遵循所有充電說明，請勿在說明中規定的溫度範圍以外的環境對電池組或工具充電。不當充電或在指定範圍以外的溫度下充電，可能導致電池損壞並增加火災風險。

6. 檢修

- a. 維修本電動工具時，必須由合格的維修人員執行，而且只能使用完全一致的更換件。這樣將確保電動工具的安全。
- b. 不得維修已損毀的電池組。電池組的維修應僅由製造商或授權服務提供商進行。

電動工具之附加安全警告



警告! 針對風扇的額外安全警告



警告! 接觸或吸入磨砂產生的粉塵可能會損害操作人員和圍觀人員的健康。請佩戴專門的防塵面罩，抵禦含鉛塗料的粉塵和煙霧，同時要確保工作區域內和區域周圍的人員均得到保護。

- ◆ 若在操作中，磨砂配件或緊固件會觸及隱藏在牆內的電線，請握住電動工具的絕緣握持面。切削配件碰到帶電導線可能會使電動工具的外露金屬零件帶電，並讓操作人員面臨觸電危險。
- ◆ 使用夾子或其他方法將工件固定和支撐在一個穩定的平臺上。用手扶住工件，或用身體抵住工件，都會讓工件處於不穩定的狀態，從而導致失控。



警告! 在磨砂某些可能會產生有毒粉塵的木材(例如，樺木、橡木)和金屬時，請多加小心。請佩戴專門的防塵面罩，抵禦含鉛塗料的粉塵和煙霧，同時應確保工作區域內和區域周圍的人員均得到保護。



警告! 當您磨砂有色金屬時，請在通風良好的區域使用該工具。請勿在靠近易燃液體、氣體或粉塵的地方操作該工具。磨砂或電弧電機刷所產生的火花或高溫顆粒可能會引燃易燃材料。



警告! 請勿對鎂金屬進行磨砂! 這存在火災或爆炸的風險。

- ◆ 請在磨砂後徹底清除所有粉塵。
- ◆ 該說明書介紹了這款工具的目的用途。如果使用本說明書推薦範圍以外的附件，或配件或用該工具進行推薦範圍以外的任何其他操作，均存在人員受傷和/或財產損壞的風險。

磨砂塗料時的安全性



警告! 在磨砂塗料時，請遵守適用的規定。請特別關注以下方面：

- ◆ 如可能，請使用真空吸塵器進行除塵。
- ◆ 在磨砂可能含鉛或可能產生有毒粉塵的塗料時，請多加小心。
 - ◆ 請勿讓兒童或孕婦進入工作區域。
 - ◆ 所有進入工作區域的人員都應佩戴為抵禦含鉛塗料粉塵和煙霧而專門設計的口罩。
 - ◆ 請勿在工作區域內飲食或吸煙。
- ◆ 請以安全的方式棄置粉塵顆粒和其他任何碎屑。

他人的安全

- ◆ 產品不適合體力、感官或智力不足以及缺乏經驗、知識或技能的人員(包括兒童)使用，除非一旁有能為他們的安全負責的監督人員。
- ◆ 應看管好兒童，確保他們不會將此設備當做玩具來玩。

剩餘風險

使用本工具時，可能會出現未包括在隨附安全警告中的其他剩餘風險。誤用、長時間使用工具等因素會導致這些風險。

即使遵守相關安全規定並採用安全裝置，仍然無法避免某些剩餘風險。此類風險包括：

- ◆ 因接觸旋轉/轉動部件而引起的傷害。
- ◆ 因變更任何零件、鋸片或配件而引起的傷害。
- ◆ 因長時間使用工具而引起的傷害。若長時間使用工具，請確保定時休息。
- ◆ 聽力受損。
- ◆ 因吸入使用工具時產生的粉塵而引起的健康危害(譬如：在木材上使用時，尤其是樺木、山毛櫸和中密度纖維板(MDF))。

電池和充電器之附加安全指示

電池

- ◆ 無論何種原因，均不得嘗試打開電池。
- ◆ 請勿讓電池接觸到水。
- ◆ 請勿將電池存放在溫度可能超過 40 °C 的地方。
- ◆ 僅在環境溫度介於 10°C 和 40°C 之間的情況下充電。
- ◆ 僅用隨工具一同提供的充電器充電。
- ◆ 在棄置電池時，請遵循“保護環境”部份所提供的指示執行。



請勿嘗試對損壞的電池充電。

充電器

- ◆ 請使用您的 BLACK+DECKER 充電器為隨工具一同提供的電池充電。其它電池可能會引起爆裂，並導致人身傷害和損壞。
- ◆ 不得試圖為不可充電的電池充電。
- ◆ 應立即更換受損電線。
- ◆ 請勿讓充電器接觸到水。
- ◆ 請勿拆開充電器。
- ◆ 請勿戳刺充電器。



本工具僅供室內使用。



請在使用前請閱讀使用手冊。

工具上的標誌

以下圖形，以及日期碼顯示在工具上：



警告!為了降低受傷的風險，使用者必須仔細閱讀使用手冊。



請佩戴防塵面罩。

製造年份及號碼(範例)

2022	23	BM
西元年份	週數	號碼

電氣安全



您的工具是雙層絕緣；因此無需接電線。請務必檢查電池組的電壓是否和銘牌上的電壓一致。不得試用普通電源插頭來替代充電器單元。

- ◆ 如果電線損壞，必須由產商或授權 BLACK+DECKER 服務中心負責更換，避免出現危險。

功能部件

本工具包括以下部分或全部功能配件。

1. 開關
2. 手柄
3. 磨砂底座
4. 充電器

為電池充電 (圖 A)

在首次使用前，以及在電池不能提供順利完成工作所需的電力時，需要為電池充電。電池在充電時可能會發熱；這是正常現象，並非出現問題。

警告!請勿在溫度低於10°C或高於40°C的環境中為電池充電。建議充電溫度為：約24°C。

注意:如果電池溫度低於10°C或高於40°C，則充電器不會為電池充電。應將電池留在充電器中，當電池溫度回升或冷卻後，充電器將自動為電池充電。

- ◆ 將充電接頭 (4) 插入充電端口 (5)。
- ◆ 插入充電接頭 (4)。
- ◆ 請讓工具與充電器保持連接約4小時。
- ◆ 充電時，充電指示燈將亮起。
- ◆ 在電池用完電量後，建議馬上充電，鋰電池請勿過度放電，電力過度耗竭會導致鋰電池損壞。
- ◆ 當主機突然停止動作，或無法輕鬆完成以往的作業量時，請馬上充電。

組裝

警告!在組裝前，請確保工具已經被關閉。

安裝砂紙(圖 C)

- ◆ 安裝砂紙 (6) 的方法是將「鉤形」魔術貼貼到磨砂底座下方的「環形」魔術貼 (3)。

使用

警告!請讓工具按照自有節奏工作。請勿超載。

啟動與關閉

- ◆ 如需啟動工具，請將開關 (1) 撥動到位置 I。
- ◆ 如需關閉工具，請將開關 (1) 撥動到位置 O。

維護

工具採用卓越的設計，只需簡單保養，即可長期使用。若要持續獲得滿意的操作效果，需進行正確的工具維護和定期的清潔。

警告!先關閉工具，再進行保養。

- ◆ 請用軟刷或幹布定期清潔您工具和充電器的通風槽。
- ◆ 定期使用濕布清潔電機外殼。請勿使用任何研磨性或溶劑型清潔劑。

電動工具之修理，僅可由認證的技術人員執行。請勿交由非百得認證服務中心的技術人員進行修理、維護、調整。若產品經由非百得認證的維修工程師拆解、組裝、調整，恕無法適用百得一年家用保修條款。為充份發揮其功能，修理、維護、調整請務必使用原廠零件。百得認證服務中心擁有保修條款解釋權。

保護環境



分類回收。帶有此標誌的產品和電池必須與一般家庭廢物分開處置。

產品和電池組含可重複使用或回收的材料，可降低對原材料的需求。請根據當地法規回收電氣產品和電池。更多資訊，請造訪 www.2helpU.com。

服務資訊

BLACK+DECKER 提供完整的公司隸屬和授權的維修點網絡。所有 BLACK+DECKER 服務中心均配有訓練有素的人員，能夠為顧客提供高效、可靠的電動工具服務。

無論您需要技術建議、維修或原廠替換部件，請聯繫距離您最近的 BLACK+DECKER 服務點。

注意

- BLACK+DECKER 的政策是持續改進我們的產品，因此，我們保留在不事先通知的情況下變更產品規格的權利。
- 標準設備和配件可能會因不同國家而有所變化。
- 產品規格可能會因不同國家而有所變化。
- 可能無法在所有國家購買到完整的產品系列。請聯繫您當地的 BLACK+DECKER 經銷商，了解市場在售的產品系列。

經銷商: 特力股份有限公司

地址: 台北市內湖區新湖三路23號1.2.5樓

電話: 0800-008-007

進口/委製廠商: 新加坡商百得電動工具(股)公司台灣分公司

地址: 台北市士林區德行西路33號2樓

電話: 02-2834-1741

REVDS12C

샌더

기술 데이터

REVDS12C		
입력 전압	V_{dc}	10.8 (12 Max)
무부하 속도	OPM	11,000
진동 각도	°	2.8
샌딩 베이스 표면	mm ²	5.078
무게	kg	0.862

배터리		
배터리 유형		Li-Ion
용량	Ah	1.5

충전기		
S010QK1400040		
입력 전압	V_{Ac}	100-240
출력 전압	V_{oc}	14
전류	mA	400
대략적인 충전 시간	h	4

* 최대 초기 배터리 팩 전압(부하 없이 측정)은 12 볼트입니다. 작업 부하에서 측정된 공칭 전압은 10.8V입니다.

용도

BLACK+DECKER REVDS12C 샌더는 목재, 금속, 플라스틱 및 페인트 표면을 샌딩하도록 설계되었습니다. 이 공구는 소비자 전용입니다.

안전 지침

전동 공구에 관한 일반 안전 경고



경고! 안전 경고, 지침, 그림 및 사양을 읽으십시오.

아래 나열된 경고 및 지침을 따르지 않으면 감전, 화재 및 / 또는 심각한 부상을 입을 수 있습니다.

향후 참고할 수 있도록 모든 경고 및 지시 사항을 보관해두십시오. 아래 나열된 모든 경고에서 "전동 공구" 라는 용어는 주전원으로 작동되는 (유선) 전동 공구 또는 배터리로 작동되는 (무선) 전동 공구를 나타냅니다.

1. 작업장 안전

- 작업장을 항상 청결하고 밝게 유지하십시오. 혼잡하거나 어두운 작업장에서는 사고가 발생하기 쉽습니다.
- 가연성 액체, 가스 또는 먼지 등이 있는 폭발성 대기에서 전동 공구를 사용하지 마십시오. 전동 공구에서 먼지나 가스를 발화시킬 수 있는 불꽃이 될 수 있습니다.
- 전동 공구로 작업하는 동안에는 어린이와 주변 사람들이 작업 영역에 가까이 들어오지 못하도록 하십시오. 주의가 산만 해지면 통제력을 잃을 수 있습니다.

2. 전기 안전

- 전동공구의 플러그는 콘센트와 형식이 일치해야 하며, 플러그를 어떤 형태로든 개조하지 마십시오. 또한 접지된 전동공구에 다른 어댑터 플러그를 사용하지 마십시오. 개조되지 않은 플러그 및 형식이 일치하는 콘센트를 사용하면 감전 위험이 줄어듭니다.
- 파이프 판, 라디에이터, 렌지, 냉장고 등의 접지 표면에 물이 닿지 않도록 하십시오. 몸에 닿을 경우 감전이 될 위험이 높아집니다.
- 전동 공구를 비 또는 습한 환경에 노출하지 않도록 주의하십시오. 전동 공구에 물이 들어가면 감전 위험이 높아집니다.
- 코드를 남용하지 마십시오. 코드를 사용하여 전동공구를 운반하거나 당기거나 뽑지 마십시오. 코드를 열, 기름, 날카로운 모서리 또는 움직이는 부품에서 멀리하십시오. 손상되거나 얽힌 코드는 감전의 위험을 높입니다.
- 실외에서 전동공구를 사용할 경우 실외용으로 적합한 연장 코드를 사용하십시오. 실외 사용에 적합한 코드를 사용하면 감전의 위험을 줄일 수 있습니다.
- 습한 장소에서 전동 공구를 작동하는 것이 불가피한 경우 RCD (잔류 전류 장치) 보호 전원을 사용하십시오. RCD를 사용하면 감전의 위험이 줄어듭니다.

3. 신체 안전 사항

- 전동 공구를 작동할 때는 경계를 유지하고 수행 중인 작업을 주의 깊게 살펴보고 올바른 방법으로 사용하십시오. 피곤한 상태이거나 약물, 술, 치료제를 복용한 상태에서는 전동 공구를 사용하지 마십시오. 전동 공구를 작동하는 동안 잠시 부주의하면 심각한 부상을 입을 수 있습니다.
- 신체 보호 장비를 착용하십시오. 항상 보안경을 착용하십시오. 적합한 상황에서 방진 마스크, 미끄럼 방지 안전화, 안전모 또는 청력 보호 기구 등의 보호 장비를 사용하면 신체 부상 위험이 줄어듭니다.
- 의도하지 않은 장비 가동 방지. 전원 및 / 또는 배터리 팩에 연결한 상태로 공구를 선택 또는 운반할 때는 사전에 스위치가 꺼짐 위치에 있는지 반드시 확인하십시오. 스위치가 꺼짐 위치에 있는 상태에서 스위치에 손가락이 닿은 상태로 전동 공구를 운반하거나 전동 공구에 전원을 공급하면 사고가 발생할 수 있습니다.
- 전동 공구를 켜기 전에 모든 조정 키 또는 렌치를 제거하십시오. 전동 공구의 회전 부품에 렌치나 키가 부착되어 있으면 부상을 당할 수 있습니다.
- 지나치게 손을 뺐지 마십시오. 항상 적절한 팔관과 균형을 유지하십시오. 안전된 자세로 작업을 할 경우 전동 공구를 안전하게 사용할 수 있습니다.
- 작업에 적절한 의복을 착용하십시오. 헐렁한 옷이나 장신구를 착용하지 마십시오. 머리카락, 의복 및 장갑을 움직이는 부품에 가까이하지 마십시오. 헐렁한 옷, 장신구 또는 긴 머리카락 움직이는 부품에 걸 수 있습니다.
- 먼지 배출 및 집진 시설 연결을 위한 장치가 제공된 경우, 이들 장치가 연결되어 적절히 사용되고 있는지 반드시 확인하십시오. 집진 장치를 사용하면 먼지와 관련된 위험을 줄일 수 있습니다.

- h. 공구를 자주 사용하여 얻은 친숙함으로 인해 안주하고 도구 안전 원칙을 무시하게 하지 마십시오. 부주의한 행동은 1 초 미만의 찰나의 순간에 심각한 부상을 초래할 수 있습니다.

4. 전동 공구 사용 및 관리

- a. 전동 공구에 무리한 힘을 가하지 마십시오. 해당 용도에 맞는 올바른 전동 공구를 사용하십시오. 올바른 전동 공구를 사용해야 설계된 속도로 작업을 더욱 안전하고 정확하게 수행할 수 있습니다.
- b. 전원 스위치가 켜지지 않거나 꺼지지 않는 경우 전동 공구를 사용하지 마십시오. 스위치로 제어되지 않는 전동 공구는 위험하므로 수리해야 합니다.
- c. 조정을 하거나, 액세서리를 교체하거나, 전동 공구를 보관하기 전에 전원에서 플러그를 뽑거나 전동 공구에서 배터리 팩을 분리하십시오.
이러한 예방 안전 조치를 따라야 전동 공구가 갑자기 작동할 위험이 줄어듭니다.
- d. 사용하지 않는 전동 공구는 어린이의 손이 닿지 않는 곳에 보관하고, 전동 공구나 본 지시 사항에 익숙하지 않은 사람이 전동 공구를 절대 사용하지 못하게 하십시오. 전동 공구는 훈련을 받지 않은 사용자가 다루면 위험합니다.
- e. 전동 공구를 유지 관리하십시오. 움직이는 부품의 잘못된 정렬이나 바인딩, 부품 파손 및 기타 전동 공구의 작동에 영향을 미칠 수 있는 기타 모든 상태를 확인하십시오. 손상된 부분이 있는 경우 사용하기 전에 전동 공구를 수리하십시오. 많은 사고는 전동 공구를 제대로 유지 보수하지 않아 발생합니다.
- f. 공구를 깨끗한 상태로 유지하십시오.
- g. 작업 환경과 수행할 작업을 고려하여, 본 지시 사항에 따라 전동 공구, 액세서리 및 톨 비트 등을 사용하십시오. 본 사용 설명서의 내용과 다른 용도로 전동 공구를 사용하면 위험한 상황이 발생할 수 있습니다.
- h. 손잡이와 작업 표면을 건조하고 깨끗하게 유지하고 기름과 기름이 묻지 않도록 하십시오. 미끄러운 손잡이와 작업 표면은 예기치 않은 상황에서 공구를 안전하게 취급하고 제어할 수 없습니다.

5. 배터리 공구 사용 및 주의 사항

- a. 다시 충전할 때는 제조업체에서 지정한 충전기만 사용하십시오. 하나의 배터리 팩 유형에 적합한 충전기를 다른 배터리 팩과 함께 사용할 경우 화재의 위험이 있습니다.
- b. 전동 공구를 사용할 때는 구체적으로 지정되어 있는 배터리 팩만 사용하십시오. 다른 배터리 팩을 사용하면 부상을 입거나 화재의 위험이 있습니다.
- c. 배터리 팩을 사용하지 않을 때에는 클립, 동전, 키, 못, 나사 등의 금속 물체나, 단자 간에 연결할 수 있는 작은 금속 물체가 닿지 않도록 멀리 두십시오. 배터리 단자가 접촉되면 화상을 입거나 화재의 위험이 있습니다.
- d. 배터리를 과다 사용하면 액체가 배터리에서 흘러나올 수 있으므로, 접촉을 피하십시오. 실수로 접촉한 경우에는 물로 씻으십시오. 액체가 눈에 들어간 경우 치료를 받으십시오. 배터리에서 나온 액체는 통증을 유발하거나 화상을 입힐 수 있습니다.
- e. 손상되거나 개조된 배터리 팩이나 도구를 사용하지 마십시오. 손상되거나 개조된 배터리는 화재, 폭발 또는 부상 위험을 초래하는 예측할 수 없는 동작을 나타낼 수 있습니다.

- f. 배터리 팩이나 도구를 불이나 과도한 온도에 노출시키지 마십시오. 화재 또는 130°C 이상의 온도에 노출되면 폭발을 일으킬 수 있습니다.
- g. 모든 충전 지침을 따르고 배터리 팩이나 도구를 충전하지 마십시오. 지침에 명시된 온도 범위를 벗어납니다. 부적절하게 충전하거나 지정된 범위를 벗어난 온도에서 충전하면 배터리가 손상되고 화재의 위험이 증가할 수 있습니다.
- #### 6. 유지 보수
- a. 자격을 갖춘 기술자가 동일 교체 부품을 사용하여 정비 작업을 수행해야 합니다. 그래야 전동 공구의 안전이 보장됩니다.
- b. 손상된 배터리 팩을 수리하지 마십시오. 배터리 팩의 서비스는 제조업체 또는 공인 서비스 제공 업체에서만 수행해야 합니다.

추가 전동 공구 안전 경고



경고! 샌더에 대한 추가 안전 경고



경고! 샌딩 작업에서 발생하는 먼지와 접촉하거나 이물 흡입하는 경우 작업자와 주변 사람의 건강이 위협받을 수 있습니다. 먼지와 연기로부터 보호하기 위해 특별히 고안된 방진 마스크를 착용하고 작업 영역에 들어가거나 작업 영역에 들어오는 사람도 보호되도록 하십시오.

- ◆ 샌딩 액세서리가 숨겨진 배선과 접촉할 수 있는 작업을 수행할 때는 절연 그림 표면으로 전동 공구를 잡으십시오. "전류가 흐르는" 전선에 액세서리가 닿으면 전동 공구의 노출된 금속 부분에 "전류가 흐르는" 상태가 되어 작업자가 감전될 수 있습니다.
- ◆ 클램프 또는 기타 실용적인 방법을 사용하여 공작물을 안정된 플랫폼에 고정하고 지지하십시오. 공작물을 손이나 몸에 대는 것은 불안정하고 통제력을 상실할 수 있습니다.



경고! 독성 분진을 생성할 수 있는 일부 목재 (예: 너도밤나무, 참나무)와 금속을 샌딩할 때는 특히 주의하십시오. 먼지와 연기로부터 보호하기 위해 특별히 고안된 방진 마스크를 착용하고 작업 영역에 들어가거나 작업 영역에 들어오는 사람도 보호되도록 하십시오.



경고! 철 금속을 샌딩할 때 환기가 잘 되는 곳에서 이 도구를 사용하십시오. 가연성 액체, 가스 또는 먼지 근처에서 공구를 작동하지 마십시오. 샌딩 또는 야크 모터 브러시의 스파크 또는 뜨거운 입자는 가연성 물질을 점화할 수 있습니다.



경고! 마그네슘을 연마하지 마십시오! 화재나 폭발의 위험이 있습니다.

- ◆ 샌딩 후 모든 먼지를 완전히 제거하십시오.
- ◆ 사용 목적은 이 사용 설명서에 설명되어 있습니다. 이 사용 설명서에서 권장하는 것 이외의 액세서리나 부속물을 사용하거나 이 공구로 작업을 수행하면 부상 및/또는 재산 피해의 위험이 있습니다.

페인트 샌딩 시 안전



경고! 페인트 샌딩에 대한 해당 규정을 준수하십시오. 다음에 특히 주의하십시오.

- ◆ 가능하면 먼지 수집을 위해 진공 추출기를 사용하십시오.
- ◆ 낯 성분일 가능성이 있고 독성 보진을 생성할 수 있는 페인트를 샌딩할 때 특히 주의하십시오.
- ◆ 어린이나 임산부가 작업장에 들어가지 않도록 하십시오.
- ◆ 작업 영역에 들어가는 모든 사람은 낯 페인트 보진 및 연기로부터 보호하도록 특별히 설계된 마스크를 착용해야 합니다.
- ◆ 작업장에서 먹거나 마시거나 담배를 피우지 마십시오.
- ◆ 먼지 입자 및 기타 제거 파편을 안전하게 폐기하십시오.

타인의 안전

- ◆ 이 기기는 안전을 책임지는 사람이 기기 사용에 대해 감독하거나 지시하지 않는 한 신체적, 감각적 또는 정신적 능력이 약하거나 경험과 지식이 부족한 사람 (어린이 포함) 이 사용하도록 설계되지 않았습니다.
- ◆ 어린이가 기기를 가지고 놀지 않도록 감독해야 합니다.

기타 추가적인 위험

동봉된 안전 경고에 포함되지 않은 도구를 사용할 때 추가적인 위험이 발생할 수 있습니다. 이러한 위험은 오용, 장기간 사용 등으로 인해 발생할 수 있습니다.

관련 안전 규정을 적용하고 안전정지를 구현하더라도 특정 잔류 위험을 피할 수 없습니다. 여기에는 다음이 포함됩니다:

- ◆ 회전 / 움직이는 부품은 만지면 부상을 입을 수 있습니다.
- ◆ 부품, 블레이드 또는 액세서리를 교체할 때 발생하는 부상.
- ◆ 장기간 도구 사용으로 인한 부상. 장기간 도구를 사용할 때는 정기적으로 휴식을 취하십시오.
- ◆ 충격 손상.
- ◆ 사용할 때 발생하는 먼지 호흡으로 인한 건강 위험 (예: 목재, 특히 참나무, 너도밤나무 및 MDF 작업).

배터리 및 충전기에 대한 추가 안전 지침

배터리

- ◆ 어떤 이유로든 열지 마십시오.
- ◆ 배터리를 물에 노출시키지 마십시오.
- ◆ 온도가 40 °C 를 초과할 수 있는 장소에 보관하지 마십시오.
- ◆ 주변 온도가 10 °C ~ 40 °C 인 경우에만 충전하십시오.
- ◆ 공구와 함께 제공된 충전기 만 사용하여 충전하십시오.
- ◆ 직사광선이 비치는 차량 내부에는 제품 또는 배터리를 보관하지 마십시오. 화재 또는 폭발의 원인이 됩니다.



손상된 배터리를 충전하지 마십시오.

충전기

- ◆ BLACK+DECKER 충전기는 제공된 도구로 배터리를 충전하는 데만 사용하십시오. 다른 배터리는 파열되어 부상을 입거나 손상될 수 있습니다.

- ◆ 비 충전식 배터리를 충전하지 마십시오.
- ◆ 손상된 코드는 즉시 교체하십시오.
- ◆ 충전기를 물에 노출시키지 마십시오.
- ◆ 충전기를 열지 마십시오.
- ◆ 충전기를 조사하지 마십시오.
- ◆ 제품 충전 시 제품에서 연기가 나면 즉시 전원 플러그를 뽑 후 스탠리블랙앤데커 고객센터로 연락하십시오
- ◆ 충전기에 제품을 거치하여 충전이 시작되는 순간 누전차단기가 작동하면 즉시 충전을 멈추고 고객센터로 연락하십시오
- ◆ 제품을 충전할 때, 제품 전원을 껐는지 반드시 확인하고 충전하십시오
- ◆ 전원 플러그를 하나의 콘센트 (멀티탭)에 여러 제품을 동시에 사용하지 마십시오

*콘센트의 이상 발열로 화재의 원인이 됩니다

*차단기가 작동하여 전원이 꺼질 수 있습니다.

- ◆ 전원을 무리하게 구부리거나 무거운 물건에 눌러 손상되지 않도록 주의하십시오

*전원선이 손상되어 감전 또는 화재의 원인이 됩니다

- ◆ 배터리 충전이 완료 된 이후에는 충전기 전원 플러그를 빼십시오

*감전, 누전 및 화재의 원인이 됩니다

- ◆ 변압기를 사용하는 경우 전압, 주파수, 정격 전력의 조건이 다르기 때문에 감전, 화재의 원인이 될 수 있습니다

- ◆ 충전기가 침수됐거나 물이 들어간 경우에는 사용을 중지하십시오

- ◆ 충전기를 청소 할 때는 반드시 전원 플러그를 빼십시오

- ◆ 외출 시에는 반드시 충전기 전원 플러그를 뽑아 주십시오

*누전, 화재의 원인이 될 수 있습니다

- ◆ 충전 단자에 젓가락, 드라이버 등을 넣거나 접촉하여 쇼트시키지 마십시오

- ◆ 동물이 충전기 전원선을 갉아 먹지 않도록 주의 하십시오

- ◆ 어린이 등, 경험과 지식이 부족한 사람이 사용할 경우에는 보호자가 꼭 보호하에 사용하도록 해주십시오



충전기는 실내 전용입니다.



사용하기 전에 사용 설명서를 읽으십시오.

공구의 레이블

Date Code와 함께 다음 그림이 공구에 표시됩니다.



경고! 부상의 위험을 줄이기 위해 사용자는 사용 설명서를 읽어야 합니다.



방진 마스크를 착용하십시오.

전기 안전



충전기는 이중 절연되어 있으므로 접지선이 필요하지 않습니다. 주전원 전압이 명판의 전압과 일치하는지 항상 확인하십시오. 충전기를 일반 전원 플러그로 교체하지 마십시오.

- ◆ 전원 코드가 손상된 경우 위험을 방지하기 위해 제조업체 또는 공인 BLACK+DECKER 서비스 센터에서 교체해야 합니다.

기능

이 공구에는 다음 기능 중 일부 또는 전부가 포함되어 있습니다.

1. On/off 스위치
2. 핸들
3. 샌딩 베이스
4. 충전기

배터리 충전 (그림 A)

배터리는 처음 사용하기 전과 이전에 쉽게 수행했던 작업에서 충분한 전력을 공급하지 못할 때마다 충전해야 합니다. 충전하는 동안 배터리가 따뜻해질 수 있습니다. 이것은 정상적인 현상이며 문제를 나타내는 것이 아닙니다.

경고! 주변 온도가 10°C 이하 또는 40°C 이상인 장소에서는 배터리를 충전하지 마십시오. 권장 충전 온도: 약 24°C.

참고: 배터리 온도가 약 10°C 이하이거나 40°C 이상이면 충전기가 배터리를 충전하지 못합니다.

배터리는 충전기에 그대로 두어야 하며 셀 온도가 예열되거나 냉각 되면 충전기가 자동으로 충전되기 시작합니다.

- ◆ 충전 커넥트 (4)를 충전 포트 (5)에 삽입합니다.
- ◆ 충전 커넥트 (4)를 연결합니다.
- ◆ 약 4 시간 동안 공구를 충전기에 연결할 상태로 두십시오.
- ◆ 충전 중에는 충전 표시등이 켜집니다.

어셈블리

경고! 조립하기 전에 공구가 꺼져 있는지 확인하십시오.

샌딩 시트 장착 (그림 B)

- ◆ 샌딩 베이스 (3)의 '고리형' 벨크로 밑면에 '고리' 벨크로 쪽을 눌러 샌딩 시트 (6)를 부착합니다.

사용

경고! 공구가 자체 속도로 작동하도록 하십시오. 과부하하지 마십시오.

커기 및 끄기 (그림 C)

- ◆ 공구를 켜려면 제품의 앞쪽에 위치한 커기/끄기 스위치 (1)의 I 부분을 누르십시오.
- ◆ 공구를 끄려면 제품의 앞쪽에 위치한 커기/끄기 스위치 (1)의 O 부분을 누르십시오.

유지 보수

공구는 최소한의 유지 관리로 장기간에 걸쳐 작동하도록 설계되었습니다. 만족스러운 연속 작동은 적절한 공구 관리와 정기적인 청소에 따라 그 성능이 달라질 수 있습니다.

경고! 공구에 대한 유지 관리를 수행하기 전에 공구에서 배터리를 제거하십시오.

- ◆ 부드러운 솔이나 마른 천을 사용하여 도구와 충전기의 통풍구

를 정기적으로 청소하세요.

- ◆ 젖은 천을 사용하여 모터 하우징을 정기적으로 청소합니다. 연마제 또는 솔벤트 기반 세정제를 사용하지 마세요.

환경 보호



분리 수거. 이 기호가 표시된 제품 및 배터리는 일반 가정 쓰레기와 함께 폐기해서는 안 됩니다.

제품과 배터리에는 재활용되거나 재활용되고 고철 자원에 대한 수요를 줄일 수 있는 자재가 포함되어 있습니다. 전기 제품과 배터리는 지역 규정에 따라 재활용하십시오. 자세한 내용은 www.2helpU.com에서 찾아볼 수 있습니다.

서비스 정보

BLACK+DECKER 제품은 가까운 워니아 에이드 서비스(구 동부대우서비스)에서 받으실 수 있습니다. 모든 BLACK+DECKER 서비스 센터에는 교육을 이수한 전문 인원이 배치되어 있어 고객에게 효과적이고 믿을 수 있는 제품 서비스를 제공하고 있습니다.

기술 지원, 수리 또는 순정 교체 부품이 필요한 모든 경우에 가까운 BLACK+DECKER로 연락하십시오. 기타 서비스 관련 문의 사항이 있으실 경우 스탠리블랙앤데커 고객지원 센터 (1577-0933)으로 문의하십시오.

참고

- BLACK + DECKER 는 제품을 지속적으로 개선하기 때문에 사전 통지 없이 제품 사양이 변경될 수 있습니다.
- 기본 장비 및 액세서리 구성은 각 국가에 따라 다를 수 있습니다.
- 제품 사양은 국가에 따라 다를 수 있습니다.
- 국가에 따라 판매하지 않는 제품도 있을 수 있습니다. 제품 판매 여부는 해당 지역에 있는 BLACK + DECKER 판매점으로 문의하십시오.

REVDS12C

MESIN AMPLAS

Data teknis

REVDS12C		
Tegangan masuk	V_{dc}	10.8 (12 Max)
Kecepatan tanpa beban	OPM	11000
Sudut oskilasi	$^{\circ}$	2.8
Permukaan base pengamplasan	mm^2	5078
Berat	kg	0.862

Baterai		
Tipe baterai		Li-Ion
Kapasitas	Ah	1.5

S010QV1400040		
Tegangan masuk	V_{AC}	100-240
Tegangan keluar	V_{DC}	14
Arus	mA	400
Perkiraan waktu pengisian daya	h	4

* Tegangan maksimal pak baterai inisial (Diukur tanpa beban kerja) adalah 12 volt. Diukur dengan beban kerja, nominal tegangan adalah 10,8 V.

Tujuan penggunaan

Mesin amplas BLACK+DECKER REVDS12C anda sudah dirancang untuk mengamplas kayu, logam, plastic dan permukaan benda yang dicat. Mesin ini ditujukan untuk penggunaan konsumen saja.

Petunjuk keselamatan

Peringatan umum untuk keselamatan perkakas listrik



Peringatan! Baca semua peringatan keamanan, instruksi, ilustrasi, dan spesifikasi yang disertakan bersama perkakas listrik ini. Kegagalan mengikuti instruksi dan peringatan yang tercantum di bawah ini dapat menyebabkan terjadinya sengatan listrik, kebakaran, dan/atau cedera yang serius.

Simpan semua peringatan dan petunjuk untuk referensi di masa mendatang. Kata "alat listrik" dalam semua peringatan yang tercantum di bawah ini mengacu pada alat listrik (kabel) utama yang anda gunakan atau alat listrik (tanpa kabel) yang menggunakan baterai.

1. Keselamatan area kerja

- Jaga agar area kerja tetap bersih dan terang. Area yang berantakan atau gelap berpotensi mengakibatkan kecelakaan.
- Jangan mengoperasikan perkakas listrik ini di lingkungan yang mudah menimbulkan bahaya ledakan, seperti di tempat yang terdapat cairan, gas, atau debu yang mudah terbakar. Perkakas listrik menimbulkan percikan api yang dapat menyulut debu atau uap.
- Jauhkan anak-anak dan orang-orang di sekitar Anda saat mengoperasikan perkakas listrik. Gangguan dapat menyebabkan Anda kehilangan kendali.

2. Keselamatan kelistrikan

- Steker perkakas listrik harus sesuai dengan soketnya. Jangan pernah memodifikasi steker dengan cara apa pun. Jangan gunakan steker adaptor apa pun dengan perkakas listrik yang dibumikan (diardekan). Steker yang tidak dimodifikasi dan stopkontak yang sesuai akan mengurangi risiko sengatan listrik.
- Hindari kontak badan dengan permukaan yang dibumikan (grounded), seperti pipa, radiator, kompor, dan kulkas. Risiko sengatan listrik dapat meningkat jika tubuh Anda bersentuhan dengan permukaan yang dibumikan.
- Jangan sampai perkakas listrik ini terkena hujan atau terpapar di kondisi yang basah. Air yang masuk ke perkakas listrik akan meningkatkan risiko sengatan listrik.
- Jangan menyalahgunakan kabel. Jangan sekali-kali menggunakan kabel untuk membawa, menarik, atau mencabut perkakas listrik. Jauhkan kabel dari panas, minyak, tepi tajam, atau komponen yang bergerak. Kabel yang rusak atau terbelit meningkatkan risiko sengatan listrik.
- Bila mengoperasikan perkakas listrik di luar ruangan, gunakan kabel ekstensi yang sesuai untuk penggunaan di luar ruangan. Menggunakan kabel yang sesuai untuk penggunaan di luar ruangan akan mengurangi risiko sengatan listrik.
- Jika penggunaan perkakas listrik di lokasi yang lembap tidak dapat dihindari, gunakan suplai yang terlindung oleh perangkat arus sisa (RCD). Penggunaan RCD akan mengurangi risiko sengatan listrik.

3. Keselamatan diri

- Tetap waspada, perhatikan apa yang Anda kerjakan dan gunakan akal sehat saat mengoperasikan perkakas listrik. Jangan mengoperasikan perkakas listrik bila Anda sedang lelah, atau berada di bawah pengaruh obat, alkohol, atau pengobatan. Kelengahan sesaat saat mengoperasikan perkakas listrik dapat mengakibatkan cedera diri serius.

- b. **Gunakan peralatan pelindung diri. Selalu kenakan alat pelindung mata.** Peralatan pelindung, seperti masker debu, sepatu keselamatan antiselip, helm proyek, atau pelindung telinga yang digunakan untuk kondisi yang sesuai akan mengurangi risiko cedera diri.
- c. **Hindarkan menyalakan alat tanpa disengaja. Pastikan bahwa sakelar sudah dalam posisi mati sebelum menghubungkannya ke sumber listrik dan/atau baterai, mengambil, atau membawa alat.** Membawa perkakas listrik dengan jari Anda masih menempel pada tombol atau menghidupkan perkakas listrik yang tombolnya masih menyala akan berpotensi mengakibatkan kecelakaan.
- d. **Lepaskan semua kunci setelan atau kunci pas sebelum menghidupkan perkakas listrik.** Kunci pas atau kunci yang dibiarkan terpasang pada komponen perkakas listrik yang berputar dapat mengakibatkan cedera diri.
- e. **Jangan melampaui batas pijakan. Selalu jaga pijakan dan keseimbangan dengan baik.** Hal ini memungkinkan Anda untuk mengendalikan perkakas listrik secara lebih baik dalam situasi yang tidak terduga.
- f. **Kenakan pakaian yang sesuai. Jangan mengenakan pakaian longgar atau perhiasan. Jauhkan rambut, pakaian dan sarung tangan dari komponen yang bergerak.** Pakaian yang longgar, perhiasan atau rambut panjang dapat tersangkut pada komponen yang bergerak.
- g. **Jika disediakan perangkat untuk sambungan fasilitas pengeluaran dan pengumpulan debu, pastikan perangkat ini dihubungkan dan digunakan dengan sesuai.** Penggunaan alat pengumpul debu dapat mengurangi bahaya yang ditimbulkan oleh debu.
- h. **Meskipun sudah sering menggunakan alat, jangan sampai lengah dan mengabaikan prinsip keselamatan alat.** Tindakan ceroboh dapat menyebabkan cedera parah dalam hitungan sepersekian detik.
4. **Penggunaan dan pemeliharaan perkakas listrik**
- a. **Jangan menggunakan perkakas listrik dengan sembarang. Gunakan perkakas listrik yang sesuai untuk aplikasi Anda.** Perkakas listrik yang tepat akan bekerja lebih baik dan aman pada tingkatan kerja yang telah dirancang untuk alat itu.
- b. **Jangan gunakan perkakas listrik ini jika tombol tidak dapat menghidupkan dan mematikan alat.** Perkakas listrik apa pun yang tidak dapat dikendalikan dengan tombol adalah berbahaya dan harus diperbaiki.
- c. **Lepaskan stopkontak dari sumber listrik dan/atau baterai dari perkakas listrik sebelum melakukan penyyetelan apa pun, mengganti aksesoris, atau menyimpan perkakas listrik.** Tindakan pencegahan untuk keselamatan seperti itu akan mengurangi risiko menyalakan perkakas listrik secara tidak disengaja.
- d. **Simpan perkakas listrik yang tidak digunakan jauh dari jangkauan anak-anak, dan jangan biarkan orang yang tidak memahami perkakas listrik atau petunjuk ini untuk mengoperasikannya.** Perkakas listrik dapat berbahaya bila digunakan oleh pengguna yang tidak terlatih.
- e. **Rawat perkakas listrik. Lakukan pemeriksaan untuk mengetahui apakah ada komponen bergerak yang tidak sejajar atau bengkok, komponen yang patah, dan kondisi lainnya yang dapat memengaruhi pengoperasian perkakas listrik. Jika rusak, perbaiki perkakas listrik sebelum digunakan.** Banyak kecelakaan terjadi akibat perkakas listrik yang tidak terawat dengan baik.
- f. **Jaga ketajaman dan kebersihan alat pemotong.** Alat pemotong yang terawat dengan baik dengan mata potong yang tajam, akan kecil kemungkinannya untuk macet serta lebih mudah untuk dikendalikan.
- g. **Gunakan perkakas listrik, aksesoris, mata bor dan sebagainya, sesuai petunjuk ini, dengan memperhitungkan persyaratan kerja dan jenis pekerjaan yang harus dilakukan.** Penggunaan perkakas listrik untuk pengoperasian yang tidak sesuai dengan tujuan penggunaan dapat mengakibatkan situasi yang berbahaya.
- h. **Jaga agar permukaan pegangan tetap kering, bersih, bebas dari minyak dan lemak.** Pegangan dan permukaan pegangan yang licin tidak bisa digunakan untuk melakukan penanganan dan pengendalian alat dengan aman saat situasi tak terduga.
5. **Penggunaan dan pemeliharaan perkakas bertenaga baterai**
- a. **Isi ulang daya hanya menggunakan pengisi daya yang ditentukan oleh pabrik.** Pengisi daya yang cocok untuk satu tipe baterai, dapat menimbulkan risiko kebakaran jika digunakan pada tipe baterai lainnya.
- b. **Gunakan perkakas hanya dengan baterai yang ditujukan secara khusus.** Penggunaan baterai lainnya dapat menimbulkan risiko cedera dan kebakaran.
- c. **Pada saat baterai tidak digunakan, jauhkan baterai dari benda logam seperti klip penjepit kertas, koin, kunci, paku, sekrup, atau benda logam kecil lainnya yang dapat membuat hubungan dari satu terminal dengan terminal lainnya.** Menghubungkan kedua terminal baterai dengan kabel secara tidak semestinya dapat mengakibatkan luka bakar atau kebakaran.
- d. **Pemakaian yang salah bisa menyebabkan kealuarnya cairan dari baterai; hindari kontak. Jika tidak sengaja tersentuh, bilas dengan air. Jika cairan mengenai mata, carilah juga bantuan medis.** Cairan yang keluar dari baterai dapat menyebabkan iritasi atau luka bakar.

- e. **Jangan gunakan baterai atau alat yang rusak atau telah dimodifikasi.** Baterai yang rusak atau telah dimodifikasi dapat menunjukkan sifat yang tidak dapat diprediksi yang dapat mengakibatkan kebakaran, ledakan atau risiko cedera.
- f. **Jangan dekatkan baterai atau perkakas ke api atau suhu berlebihan.** Paparan pada api atau suhu di atas 130 °C dapat menyebabkan ledakan.
- g. **Ikuti semua petunjuk pengisian daya dan jangan isi baterai atau perkakas di luar rentang suhu yang ditetapkan dalam petunjuk.** Mengisi daya tidak semestinya atau pada suhu di luar rentang yang ditetapkan dapat merusak baterai dan meningkatkan risiko kebakaran.

6. Servis

- a. **Perkakas listrik sebaiknya diservis oleh teknisi yang berkualifikasi dan hanya menggunakan komponen pengganti yang persis sama.** Hal ini akan membuat keamanan perkakas listrik selalu terjaga.
- b. **Jangan pernah melakukan servis baterai yang rusak.** Servis baterai hanya dapat dilakukan oleh produsen atau penyedia layanan resmi.

Peringatan tambahan untuk keamanan perkakas listrik



Peringatan! Peringatan keselamatan tambahan untuk pengguna mesin amplas



Peringatan! Kontak atau inhalasi debu yang muncul dari proses pengamplasan dapat membahayakan kesehatan operator dan orang-orang di sekitarnya. Pakailah masker debu yang dirancang secara khusus untuk perlindungan terhadap debu dan asap yang muncul, serta pastikan orang-orang yang berada di dalam atau memasuki area kerja juga terlindungi.

- ◆ **Pegang alat listrik pada permukaan gagang mesin yang terisolasi saat melakukan pekerjaan yang menggunakan aksesoris pengamplas ada kemungkinan berkontak dengan kabel yang "menyala"** bisa membuat bagian logam alat listrik yang terpapar menjadi "hidup", dan dapat memberikan sengatan listrik pada operator.
- ◆ **Gunakan klem atau cara praktis lain untuk mengamankan dan menyangga benda kerja (workpiece) pada tempat yang stabil.** Memegang pekerjaan dengan tangan atau melawan tubuh akan membuatnya tidak stabil dan bisa menyebabkan hilang kendali.



Peringatan! Hati-hati saat mengamplas kayu (contohnya kayu beech, kayu pohon ek) dan logam yang dapat menghasilkan debu beracun. Pakailah masker debu yang dirancang secara khusus untuk perlindungan terhadap debu dan asap yang muncul, serta pastikan orang-orang yang berada di dalam atau memasuki area kerja juga terlindungi.



Peringatan! Saat mengamplas logam besi, gunakan mesin ini di area dengan ventilasi udara yang baik. Jangan menyalakan mesin di dekat cairan yang mudah terbakar, gas atau debu. Bunga api atau partikel panas dari pengamplasan atau arcing motor brush (busur sikat) dapat membakar bahan-bahan yang mudah terbakar.



Peringatan! **Jangan mengamplas magnesium!** Terdapat risiko kebakaran atau ledakan.

- ◆ Singkirkan semua debu sepenuhnya setelah pengamplasan.
- ◆ Penggunaan yang dimaksud telah dideskripsikan dalam panduan instruksi ini. Penggunaan aksesoris atau alat pelengkap apapun atau melakukan pekerjaan apa saja dengan alat ini selain yang telah direkomendasikan dalam panduan instruksi ini bisa memberikan risiko cedera pribadi dan/atau kerusakan properti.

Keselamatan saat mengamplas cat



Peringatan! Amati peraturan-peraturan yang berlaku dalam mengamplas cat. Beri perhatian khusus pada hal-hal berikut ini:

- ◆ Kapanpun bila mungkin, gunakan vacuum extractor untuk memungut debu.
- ◆ Beri perhatian khusus saat mengamplas cat yang berbahan timah dan bisa menghasilkan debu beracun:
 - ◆ Jangan biarkan anak-anak atau wanita hamil memasuki area kerja.
 - ◆ Semua orang yang memasuki area kerja harus memakai masker yang dirancang secara khusus untuk perlindungan terhadap debu dan asap cat timah.
 - ◆ Jangan makan, minum, atau merokok di dalam area kerja.
- ◆ Buang partikel debu dan debris lainnya dengan aman.

Keselamatan orang lain

- ◆ Peralatan ini tidak ditujukan untuk pengguna (termasuk anak-anak) yang menderita kekurangan kemampuan fisik, sensorik, atau mental, atau kurang pengalaman dan pengetahuan, kecuali mereka diawasi atau diarahkan dalam penggunaan peralatan ini oleh pihak-pihak yang bertanggung jawab atas keselamatan mereka.

- ◆ Anak-anak harus diawasi agar mereka tidak bermain-main dengan peralatan ini.



Bacalah buku petunjuk sebelum menggunakan.

Risiko-risiko lain

Risiko-risiko lain dapat timbul saat menggunakan alat, yang mungkin tidak tercantum dalam peringatan keselamatan yang disertakan. Risiko-risiko ini dapat diakibatkan oleh penyalahgunaan, penggunaan yang terlalu lama, dsb. Sekalipun peraturan keselamatan terkait sudah diterapkan dan peralatan pengaman sudah digunakan, risiko residual tertentu tidak dapat dihindari. Ini meliputi:

- ◆ Cedera yang diakibatkan karena menyentuh komponen apa pun yang berputar/bergerak.
- ◆ Cedera yang terjadi saat mengganti komponen, pemotong, atau aksesoris.
- ◆ Cedera yang diakibatkan karena penggunaan alat untuk waktu lama. Jika menggunakan alat apa pun untuk waktu yang lama, pastikan Anda mengistirahatkannya secara berkala.
- ◆ Kerusakan indra pendengaran.
- ◆ Bahaya kesehatan yang disebabkan oleh menghirup debu yang ditimbulkan oleh penggunaan alat (contoh: mengampelas kayu, khususnya kayu oak, beech, dan MDF.)

Petunjuk keselamatan tambahan untuk baterai dan pengisi daya

Baterai

- ◆ Jangan pernah membuka baterai dengan maksud apa pun.
- ◆ Jangan biarkan baterai terkena air.
- ◆ Jangan simpan di lokasi yang suhunya melebihi 40 °C.
- ◆ Lakukan pengisian daya hanya pada suhu lingkungan antara 10 °C hingga 40 °C.
- ◆ Hanya mengisi daya menggunakan alat pengisi daya yang disediakan bersama alat.
- ◆ Saat membuang baterai, ikuti petunjuk yang diberikan dalam bagian "Melindungi Lingkungan".



Jangan pernah mengisi ulang daya baterai rusak.

Pengisi daya

- ◆ Gunakan pengisi daya BLACK+DECKER hanya untuk mengisi daya baterai dalam peralatan/alat yang diberikan bersama pengisi daya. Baterai lain dapat meledak, mengakibatkan cedera badan dan kerusakan
- ◆ Jangan coba mengisi daya baterai yang tidak dapat diisi ulang.
- ◆ Segera ganti kabel yang rusak.
- ◆ Jauhkan pengisi daya dari air.
- ◆ Jangan buka pengisi daya.
- ◆ Jangan tusuk pengisi daya.



Pengisi daya ini hanya ditujukan untuk penggunaan di dalam ruangan.

Label pada alat

Pictogram berikut bersama dengan kode tanggalnya diperhatikan pada mesin:



Peringatan! Untuk mengurangi risiko cedera, pengguna harus membaca panduan instruksi.



Kenakanlah masker debu.

Keselamatan kelistrikan



Pengisi daya Anda diisolasi secara ganda; karenanya tidak memerlukan kawat tanah. Selalu pastikan bahwa tegangan daya sesuai dengan tegangan pada pelat nilai arus. Jangan coba mengganti unit pengisi daya dengan konektor daya biasa

- ◆ Kabel daya yang rusak harus diganti oleh produsen atau Pusat Layanan resmi BLACK+DECKER untuk menghindari bahaya.

Fitur-fitur

Alat ini dilengkapi beberapa atau semua fitur berikut ini.

1. Tombol hidup/mati
2. Gagang
3. Base pengampelasan
4. Pengisi daya

Mengisi daya baterai (Gam. A)

Daya baterai perlu diisi sebelum digunakan pertama kalinya dan kapanpun saat alat gagal menghasilkan daya yang cukup untuk pekerjaan yang dengan mudah dilakukan sebelumnya. Baterai bisa menjadi hangat saat pengisian daya; hal ini normal dan tidak menandakan adanya masalah.

Peringatan! Jangan mengisi daya baterai pada suhu ruangan di bawah 10°C atau diatas 40°C. Suhu pengisian daya yang direkomendasikan: sekitar 24°C.

Catatan: Pengisi daya tidak akan mengisi daya baterai bila suhu sel di bawah kurang lebih 10°C atau di atas 40°C. Baterai harus ditinggalkan dalam pengisi daya dan pengisi daya akan mulai mengisi secara otomatis saat suhu sel mulai menghangat atau mendingin.

- ◆ Masukkan konektor pengisi daya (4) ke dalam port pengisian daya (5).
- ◆ Colokkan konektor pengisi daya (4).
- ◆ Tinggalkan mesin yang terhubung dengan pengisi daya selama sekitar 4 jam.

- ◆ Indikator pengisian daya akan bersinar selama pengisian daya.

Pemasangan

Peringatan! Sebelum pemasangan, pastikan agar mesin sudah mati.

Pengepasan amplas lembaran (Gam. C)

- ◆ Pasang amplas lembaran (6) dengan menekan sisi velcro yang 'bengkok' ke sisi velcro yang 'melingkar' di bawah base pengamplasan (3).

Gunakan

Peringatan! Biarkan alat bekerja dalam kecepatannya sendiri.

Mengganti on dan off

- ◆ Untuk menyalakan mesin, tekan tombol on/off (1) ke posisi depan I.
- ◆ Untuk mematikan mesin, tekan tombol on/off (1) ke posisi belakang O.

Pemeliharaan

Alat anda sudah didesain untuk beroperasi pada jangka waktu yang lama dengan pemeliharaan minimal. Pengoperasian yang memuaskan secara terus-menerus bergantung pada cara pemeliharaan yang benar dan pembersihan alat secara teratur.

Peringatan! Sebelum melakukan pemeliharaan apapun pada alat.

- ◆ Bersihkan slot ventilasi secara teratur menggunakan sikat lembut atau kain kering.
- ◆ Bersihkan rumah motor secara teratur menggunakan kain lembab. Jangan gunakan pembersih abrasif atau berbasis pelarut.

Melindungi lingkungan



Pengumpulan terpisah. Produk dan baterai yang ditandai dengan simbol ini tidak boleh dibuang bersama dengan sampah rumah tangga biasa.

Produk dan baterai beri si bahan yang dapat digunakan kembali atau didaur ulang yang mengurangi permintaan kebutuhan bahan baku. Daur ulang produk listrik dan baterai sesuai dengan ketentuan setempat. Informasi selengkapnya tersedia di www.2helpU.com

Informasi Servis

BLACK+DECKER menawarkan jaringan lengkap lokasi servis resmi milik perusahaan di seluruh Asia. Semua Pusat Servis BLACK+DECKER memiliki staf terlatih agar dapat memberikan layanan produk yang efisien dan andal kepada konsumen. Bila Anda membutuhkan saran teknis, perbaikan, atau suku cadang pengganti asli pabrik, hubungi lokasi BLACK+DECKER terdekat.

CATATAN

- BLACK+DECKER memiliki kebijakan untuk terus meningkatkan produk dan karenanya, kami berhak mengubah spesifikasi produk tanpa pemberitahuan sebelumnya.
- Perlengkapan dan aksesoris standar mungkin berbeda menurut negara.
- Spesifikasi produk mungkin berbeda menurut negara.
- Rangkaian produk lengkap mungkin tidak tersedia di semua negara. Untuk mengetahui ketersediaan produk, hubungi dealer BLACK+DECKER setempat Anda.

REVDS12C

เครื่องขัด

ข้อมูลด้านเทคนิค

		REVDS12C
แรงดันไฟฟ้าขาเข้า	V_{dc}	10.8 (12 Max)
ความเร็วเมื่อไม่มีภาระโหลด	OPM	11000
มุมสาย	°	2.8
พื้นที่ผิวของฐานขัด	mm ²	5078
น้ำหนัก	kg	0.862

แบตเตอรี่		
ประเภทแบตเตอรี่		Li-Ion
ความจุ	Ah	1.5

สายชาร์จ		S010QV1400040
แรงดันไฟฟ้าขาเข้า	V_{AC}	100-240
แรงดันไฟฟ้าขาออก	V_{DC}	14
กระแสไฟ	mA	400
เวลาชาร์จโดยประมาณ	h	4

* แรงดันไฟฟ้าเริ่มต้นสูงสุดของชุดแบตเตอรี่ (วัดเมื่อยังไม่ได้ใช้งาน) จะอยู่ที่ 12 โวลต์ในขณะที่แรงดันไฟฟ้าขณะใช้งานจะอยู่ที่ 10.8 โวลต์

การใช้งาน

เครื่องขัดรุ่น REVDS12C ของ BLACK+DECKER ของคุณได้รับการออกแบบมาสำหรับการขัดพื้นผิวที่เป็นไม้ โลหะ พลาสติก และสี ทั้งนี้ เครื่องมือนี้มีความปลอดภัยสูงสำหรับการใช้งานสำหรับผู้บริโภคเท่านั้น

ข้อปฏิบัติเพื่อความปลอดภัย

คำเตือนเพื่อความปลอดภัยสำหรับเครื่องมือไฟฟ้าทั่วไป



คำเตือน! อ่านคำเตือน ข้อปฏิบัติเพื่อความปลอดภัยทั้งหมด รวมทั้งภาพประกอบและข้อมูลที่ให้มาเกี่ยวกับเครื่องมือไฟฟ้านี้ การไม่ปฏิบัติตามคำเตือนและข้อปฏิบัติเหล่านี้อาจทำให้เกิดไฟฟ้าช็อต เกิดอัคคีภัย และ/หรือบาดเจ็บสาหัสได้

จัดเก็บเอกสารคำเตือนและคำแนะนำทั้งหมดไว้เพื่อการอ้างอิงในภายหลัง คำว่า “เครื่องมือไฟฟ้า” ในคำเตือนทั้งหมดซึ่งระบุไว้ที่ด้านล่างจะหมายถึงเครื่องมือไฟฟ้าที่ทำงานด้วยไฟฟ้า (ใช้สาย) หรือเครื่องมือไฟฟ้าที่ทำงานด้วยแบตเตอรี่ (ไร้สาย)

- ความปลอดภัยในบริเวณที่ทำงาน
 - รักษาความสะอาดและจัดให้มีแสงสว่างเพียงพอในบริเวณที่ทำงาน บริเวณที่มีมืดหรือมีของวางระเกะระกะอาจทำให้เกิดอุบัติเหตุได้
 - ห้ามใช้เครื่องมือไฟฟ้าในบริเวณที่อาจเกิดการระเบิด เช่น ในสถานที่ที่มีของเหลว แก๊ส หรือฝุ่นละอองที่มีคุณสมบัติไวไฟ เครื่องมือไฟฟ้าจะทำให้เกิดประกายไฟที่อาจทำให้เกิดละอองไฟหรือเปลวไฟขึ้นได้
 - ระวังไม่ให้เด็กและคนเดินผ่านไปมาเข้าใกล้ในขณะที่ใช้งานเครื่องมือไฟฟ้า สิ่งรบกวนอาจทำให้คุณเสียสมาธิได้
- ความปลอดภัยทางไฟฟ้า
 - ปลั๊กไฟของเครื่องต้องเป็นชนิดเดียวกับตัวรับ ห้ามตัดแปลงปลั๊กไม่ว่าด้วยวิธีใด ห้ามใช้ปลั๊กอะแดปเตอร์ใดๆ กับเครื่องมือไฟฟ้าที่ต่อสายดิน (ลงกราวด์) ปลั๊กที่ไม่มีการตัดแปลงและตัวรับชนิดเดียวกันจะช่วยลดความเสี่ยงจากการเกิดไฟฟ้าช็อต
 - หลีกเลี่ยงการสัมผัสพื้นผิวที่ต่อสายดินหรือลงกราวด์ เช่น ท่อ หม้อน้ำ เตาหุงต้ม และตู้เย็น มีความเสี่ยงเพิ่มขึ้นที่จะเกิดไฟฟ้าช็อตหากร่างกายเป็นสื่อเชื่อมต่อลงดินหรือลงกราวด์
 - อย่าให้เครื่องมือไฟฟ้าถูกฝนหรืออยู่ในสภาพที่เปียกชื้น น้ำที่เข้าเครื่องมือไฟฟ้าจะเพิ่มความเสี่ยงในการเกิดไฟฟ้าช็อต
 - ห้ามใช้สายไฟผิดวัตถุประสงค์ ห้ามใช้สายไฟเพื่อการหิ้ว ดึง หรือถอดปลั๊กเครื่องมือไฟฟ้า เก็บสายไฟให้พ้นจากความร้อน น้ำมัน ของมีคม หรือ ชิ้นส่วนที่กำลังเคลื่อนที่ สายไฟที่ชำรุดหรือพันกันเป็นการเพิ่มความเสี่ยงจากการถูกไฟฟ้าช็อต
 - เมื่อใช้เครื่องมือไฟฟ้านอกอาคาร ให้ใช้สายต่อพ่วงที่เหมาะสมสำหรับการใช้งานนอกอาคาร ใช้สายไฟที่เหมาะสมสำหรับใช้นอกอาคารจะช่วยลดความเสี่ยงต่อการเกิดไฟฟ้าช็อต
 - 如果不能หลีกเลี่ยงการใช้เครื่องมือไฟฟ้าในบริเวณที่ชื้นและได้ ให้ใช้อุปกรณ์ป้องกันไฟดูด (RCD) การใช้ RCD จะช่วยลดความเสี่ยงในการถูกไฟฟ้าช็อต
- ความปลอดภัยส่วนบุคคล
 - ตื่นตัวและมีสมาธิกับสิ่งที่กำลังทำ รวมทั้งใช้สามัญสำนึกในขณะที่กำลังใช้งานเครื่องมือไฟฟ้า ห้ามใช้เครื่องมือไฟฟ้าในขณะที่คุณกำลังเหนื่อยหรือได้รับอิทธิพลจากยา แอลกอฮอล์ หรือการรับประทานอย่าง การขาดความระมัดระวังในการใช้เครื่องมือไฟฟ้าแม้ชั่วขณะหนึ่งอาจทำให้บาดเจ็บสาหัสได้

- b. ใช้อุปกรณ์คุ้มครองความปลอดภัยส่วนบุคคลสวมอุปกรณ์ป้องกันดวงตาเสมอ อุปกรณ์ป้องกัน เช่น หน้ากากกันฝุ่น รองเท้านิรภัยกันลื่น หมวกนิรภัย หรืออุปกรณ์ป้องกันเสียงดังที่ใช้ในสภาวะที่เหมาะสม จะช่วยลดอาการบาดเจ็บทางร่างกาย
- c. ปิดกั้นเครื่องเปิดทำงานโดยไม่ตั้งใจ สวิตช์ต้องอยู่ในตำแหน่งปิดก่อนที่จะเสียบปลั๊กเข้ากับแหล่งจ่ายไฟ และ/หรือ ชุดแบตเตอรี่ หรือก่อนจะยกหรือหัวเครื่องมือ การยกเครื่องมือไฟฟ้าในขณะที่นิ้วอยู่ที่สวิตช์ หรือใช้เครื่องมือไฟฟ้าที่สวิตช์เปิดอยู่ อาจทำให้เกิดอุบัติเหตุได้
- d. ถอดกฏและปรับตั้งหรือประแจออกก่อนเปิดสวิตช์เครื่องมือไฟฟ้า ประแจหรือกฏและที่เสียบค้างอยู่ในชิ้นส่วนที่หมุนไต่ของเครื่องมือไฟฟ้าอาจทำให้ได้รับบาดเจ็บได้
- e. ห้ามยื่นแขนเข้าหาขณะใช้เครื่อง ควรยืนในท่าที่เหมาะสมและสมดุลตลอดเวลา เพื่อช่วยในการควบคุมเครื่องมือไฟฟ้าได้ดียิ่งขึ้นในสถานการณ์ที่ไม่คาดคิด
- f. แต่งกายให้เหมาะสม ห้ามสวมเสื้อผ้าหลวมหรือใส่เครื่องประดับ รวผมและเสื้อผ้าให้ห่างจากชิ้นส่วนที่กำลังหมุน เสื้อผ้าที่หลวมหรือยาวรวมเครื่องประดับ หรือผมที่ยาวอาจเข้าไปพันกับชิ้นส่วนที่กำลังหมุน
- g. หากมีอุปกรณ์สำหรับดูดและเก็บฝุ่น ต้องตรวจให้แน่ใจว่าได้เชื่อมต่อและใช้งานอุปกรณ์นั้นอย่างเหมาะสม การใช้อุปกรณ์เก็บฝุ่นจะช่วยลดอันตรายที่เกี่ยวข้องกับฝุ่นได้
- h. อย่าให้ความเคยชินจากการใช้งานทำให้คุณประมาทและละเลยการปฏิบัติตามหลักการเพื่อความปลอดภัย การใช้งานโดยไม่ระวังอาจทำให้เกิดการบาดเจ็บสาหัสได้ภายในเวลาเพียงเสี้ยววินาที
4. การใช้งานและการดูแลรักษาเครื่องมือไฟฟ้า
- a. ห้ามฝืนใช้เครื่องมือไฟฟ้า เลือกใช้เครื่องมือไฟฟ้าที่ถูกต้องตรงกับลักษณะการใช้งานของคุณ เครื่องมือไฟฟ้าที่ถูกต้องย่อมทำงานได้ดีกว่าและปลอดภัยกว่า เมื่อใช้งานตามพิกัดที่เครื่องมือได้รับการออกแบบมา
- b. ห้ามใช้เครื่องมือไฟฟ้าถ้าสวิตช์เปิดปิดเครื่องไม่ทำงาน เครื่องมือไฟฟ้าที่ไม่สามารถควบคุมผ่านสวิตช์ได้ ถือว่ามีอันตรายและต้องส่งซ่อม
- c. ถอดปลั๊กของเครื่องมือไฟฟ้าออกจากรูแหล่งจ่ายไฟ และ/หรือหากถอดแบตเตอรี่ได้ ให้ถอดแบตเตอรี่ออกก่อนทำการปรับแต่ง เปลี่ยนอุปกรณ์เสริม หรือจัดเก็บเครื่องมือไฟฟ้า มาตรการเพื่อความปลอดภัยซึ่งการป้องกันนี้จะช่วยลดความเสี่ยงในการปล่อยเปิดเครื่องไฟฟ้าให้ทำงานโดยไม่ตั้งใจ
- d. เก็บเครื่องมือไฟฟ้าที่ไม่ได้ใช้งานไว้ในพื้นที่แห้งและไม่มีอนุภาคที่ไต่ฝุ่นเข้า
- มีไฟฟ้าหรือคำแนะนำเหล่านี้เป็นผู้ใช้เครื่องมือเครื่องมือไฟฟ้าจะเป็นอันตรายหากอยู่ในมือผู้ใช้ที่ไม่มีความชำนาญ
- e. บำรุงรักษาเครื่องมือไฟฟ้าและอุปกรณ์เสริมต่างๆ ตรวจสอบว่าชิ้นส่วนที่เคลื่อนที่ได้มีการวางไม่ตรงแนวหรือติดขัดหรือไม่ มีชิ้นส่วนที่แตกหัก และสภาพอื่นใดที่อาจส่งผลกระทบต่อการทำงานของเครื่องมือไฟฟ้าหรือไม่ หากชำรุดเสียหาย ให้นำเครื่องมือไปส่งซ่อมก่อนนำมาใช้ อุบัติเหตุจำนวนมากเกิดจากการดูแลรักษาเครื่องมือไฟฟ้าไม่ดีพอ
- f. เครื่องมือตัดตัดคมและสะอาดอยู่เสมอ เครื่องมือตัดที่ได้รับการกำหนดไว้จากผู้ผลิตและมีความคม จะแก้ปัญหาตัดขัดน้อย และควบคุมได้ง่ายกว่า
- g. ใช้เครื่องมือไฟฟ้า อุปกรณ์เสริม และดอกสว่านของเครื่องมือ เป็นต้น ให้ตรงตามข้อปฏิบัติเหล่านี้ โดยพิจารณาถึงสภาพการทำงานและงานที่ทำเป็นสำคัญ การใช้เครื่องมือไฟฟ้าทำงานอื่นนอกเหนือจากที่กำหนดไว้จากทำให้เกิดอันตรายได้
- h. ตรวจสอบให้มือจับและพื้นผิวที่จับนั้นแห้ง สะอาด ปราศจากน้ำมันและจาระบี มือจับและผิวสัมผัสที่ลื่นอาจทำให้เกิดการไถลที่ไม่ปลอดภัยและทำให้ไม่สามารถควบคุมเครื่องมือในสถานการณ์คับขันได้อย่างถูกต้อง
5. การใช้และการดูแลรักษาแบตเตอรี่
- a. ชาร์จแบตเตอรี่ด้วยเครื่องชาร์จที่ผู้ผลิตแนะนำเท่านั้น เครื่องชาร์จที่เหมาะสมกับแบตเตอรี่แบบหนึ่งอาจทำให้เกิดไฟไหม้ได้เมื่อนำมาใช้กับแบตเตอรี่อีกแบบหนึ่ง
- b. ใช้เครื่องมือไฟฟ้าเฉพาะกับก้อนแบตเตอรี่ที่ออกแบบมาเป็นพิเศษเท่านั้น การใช้แบตเตอรี่แบบอื่นอาจทำให้เกิดการบาดเจ็บหรือเกิดไฟไหม้ได้
- c. เมื่อไม่ได้ใช้ก้อนแบตเตอรี่ ให้เก็บออกห่างจากรัดอุณหภูมิต่ำที่เป็นโลหะ เช่น คลิปหนีบกระดาษ เหรียญ กุญแจ เข็ม สกรูหรือวัตถุขนาดเล็กอื่นๆ ที่อาจจากโลหะที่อาจทำให้เกิดการเชื่อมต่อกับขั้วหนึ่งไปอีกขั้วหนึ่ง การเสียดจลบริเวณขั้วแบตเตอรี่อาจทำให้เกิดรอยไหม้หรือไฟไหม้ได้
- d. เมื่ออยู่ภายใต้สภาวะที่ไม่เหมาะสม อาจมีของเหลวไหลออกมาจากแบตเตอรี่ ให้หลีกเลี่ยงการสัมผัสกับของเหลวนี้ หากบังเอิญสัมผัสโดยไม่ตั้งใจ ให้ล้างออกด้วยน้ำปริมาณมาก หากของเหลวกระเด็นเข้าตา ควรรีบไปพบแพทย์ ของเหลวที่ออกมาจากแบตเตอรี่อาจทำให้เกิดอาการระคายเคืองหรือรอยไหม้ได้
- e. ห้ามใช้แบตเตอรี่หรือเครื่องมือที่มีการชำรุดเสียหายหรือได้รับการดัดแปลง แบตเตอรี่ที่ชำรุดเสียหายหรือได้รับการดัดแปลงอาจทำให้เกิดเหตุการณ์ที่ไม่คาดคิด เช่น ไฟไหม้ ระเบิด หรือความเสี่ยงอันก่อให้เกิดการบาดเจ็บได้

- f. อย่าให้แบตเตอรี่หรือเครื่องมือถูกไฟไหม้หรืออยู่ในที่ที่มีอุณหภูมิสูงเกินไป หากแบตเตอรี่ถูกไฟไหม้หรืออยู่ในที่ที่มีอุณหภูมิสูงเกิน 130°C อาจทำให้เกิดการระเบิดได้
- g. ปฏิบัติตามคำแนะนำการชาร์จทุกขั้นตอนและไม่มีชาร์จแบตเตอรี่หรือเครื่องมือในอุณหภูมิที่เกินจากที่กำหนดไว้ในคำแนะนำ การชาร์จที่ไม่ถูกต้องหรือในอุณหภูมิที่นอกเหนือจากที่กำหนดไว้อาจทำให้แบตเตอรี่เสียหายและเสี่ยงต่อการเกิดไฟไหม้ได้

6. การบริการ

- a. ให้ช่างซ่อมที่มีความเชี่ยวชาญเป็นผู้ซ่อมเครื่องมือไฟฟ้า และใช้อะไหล่ของแท้เท่านั้น ซึ่งจะช่วยให้มั่นใจได้ว่าเครื่องมือไฟฟ้ายังมีความปลอดภัยอยู่
- b. ห้ามซ่อมแบตเตอรี่ที่ชำรุด ควรให้ผู้ผลิตหรือผู้ให้บริการที่ผ่านการรับรองเป็นผู้ซ่อมแบตเตอรี่เท่านั้น

คำเตือนเพื่อความปลอดภัยเพิ่มเติมสำหรับเครื่องมือไฟฟ้า



คำเตือน! คำเตือนเพื่อความปลอดภัยเพิ่มเติมสำหรับเครื่องขัด



คำเตือน! การสัมผัสหรือการสูดดมฝุ่นละอองที่เกิดจากการขัดอาจเป็นอันตรายต่อสุขภาพของผู้ปฏิบัติงานและผู้ที่อยู่ภายในบริเวณดังกล่าวได้ สวมใส่หน้ากากกันฝุ่นซึ่งได้รับการออกแบบมาโดยเฉพาะสำหรับการป้องกันฝุ่นและควรรวมถึงเพื่อให้เห็นใจได้ว่าผู้ที่อยู่ภายในพื้นที่ที่ทำงานหรือเข้าไปในพื้นที่ทำงานจะได้รับการปกป้องเช่นกัน

- ◆ **ถือเครื่องมือไฟฟ้าโดยการจับที่พื้นผิวกันฉนวนเมื่อใช้งานเครื่องมือโดยที่อุปกรณ์เสริมสำหรับการขัดอาจสัมผัสกับสายไฟที่มองไม่เห็นได้** อุปกรณ์เสริมที่สัมผัสกับสายไฟที่ "มีกระแสไฟฟ้า" อาจทำให้ชิ้นส่วนที่เป็นโลหะของเครื่องมือไฟฟ้า "มีกระแสไฟฟ้า" และทำให้ผู้ปฏิบัติงานถูกไฟฟ้าดูดได้
- ◆ **ใช้อุปกรณ์ยึดหรือวิธีการอื่นๆ ที่ใช้ได้จริงในการยึดและรองรับชิ้นงานเข้ากับแท่นที่มั่นคง** การถือชิ้นงานโดยใช้มือข้างเดียวหรือถือไว้กับตัวของคุณจะทำให้ชิ้นงานไม่เสถียรและอาจนำไปสู่การสูญเสียการควบคุมได้



คำเตือน! ดูแลเป็นพิเศษเมื่อทำการขัดไม้ (เช่น ไม้บีช ไม้โอ๊ค) และโลหะซึ่งอาจก่อให้เกิดฝุ่นพิษ สวมใส่หน้ากากกันฝุ่นซึ่งได้รับการออกแบบมาโดยเฉพาะสำหรับการป้องกันฝุ่นและควรรวมถึงเพื่อให้เห็นใจได้ว่าผู้ที่อยู่ภายในพื้นที่ที่ทำงานหรือเข้าไปในพื้นที่ทำงานจะได้รับการปกป้องเช่นกัน



คำเตือน! ใช้เครื่องมือนี้ในพื้นที่ซึ่งมีการระบายอากาศดีเมื่อขัดโลหะกลุ่มเหล็ก ห้ามใช้เครื่องมือใกล้ของเหลว ก๊าซ หรือฝุ่นละอองที่ไวไฟ ประกายไฟหรืออนุภาคที่มีความร้อนจากการขัดหรือการอาร์กมอเตอร์ แรงต้านอาจทำให้วัสดุที่สามารถเผาไหม้ติดไฟได้



คำเตือน! ห้ามขัดแมกนีเซียม! มีความเสี่ยงจากการเกิดไฟไหม้หรือการระเบิด

- ◆ กำจัดฝุ่นละอองทั้งหมดหลังการขัด
- ◆ การใช้งานโดยเจตนาจะได้รับการระบุไว้ในคู่มือการใช้งานฉบับนี้ การใช้อุปกรณ์เสริมหรืออุปกรณ์ต่อพ่วงหรือประสิทธิภาพของการทำงานเครื่องมือที่นอกเหนือไปจากที่มีการแนะนำไว้ในคู่มือการใช้งานฉบับนี้อาจทำให้เกิดความเสี่ยงในการบาดเจ็บส่วนบุคคลและ/หรือความเสียหายกับทรัพย์สินได้

ความปลอดภัยเมื่อขัดสี



คำเตือน! ปฏิบัติตามกฎข้อบังคับที่บังคับใช้สำหรับการขัดสี

- ◆ และให้ความใส่ใจเป็นพิเศษในเรื่องต่อไปนี้:
- ◆ ใช้เครื่องดูดสูญญากาศในการดูดฝุ่นเมื่อใดก็ตามที่เป็นไปได้
 - ◆ ดูแลเป็นพิเศษเมื่อขัดสีซึ่งอาจมีตะกั่วผสม และอาจก่อให้เกิดฝุ่นพิษ
 - ◆ ห้ามอนุญาตให้เด็กหรือสตรีมีครรภ์เข้ามาในพื้นที่ทำงาน ทุกคนที่เข้ามาในพื้นที่ทำงานจะต้องสวมหน้ากากซึ่งได้รับการออกแบบมาโดยเฉพาะสำหรับการป้องกันฝุ่นและควันของสีที่มีสารตะกั่ว
 - ◆ ห้ามรับประทาน ดื่ม หรือสูบบุหรี่ในพื้นที่ทำงาน
- ◆ กำจัดอนุภาคฝุ่นละอองและเศษที่เหลือจากการจำกัดอย่างปลอดภัย

ความปลอดภัยของบุคคลอื่น

- ◆ อุปกรณ์นี้ไม่ได้มีเจตนาสำหรับการใช้งานโดยบุคคล (รวมถึงเด็ก) ซึ่งมีความบกพร่องทางกายภาพ ประสาทสัมผัส หรือสภาพจิตใจ หรือขาดประสบการณ์และความรู้หากบุคคลดังกล่าวได้รับการควบคุมดูแลหรือได้รับการแนะนำเกี่ยวกับการใช้งานอุปกรณ์โดยผู้ได้รับผิดชอบความปลอดภัยของบุคคลดังกล่าว
- ◆ เด็กควรได้รับการควบคุมดูแลเพื่อให้เห็นใจว่าจะไม่เล่นเครื่องมือนี้

ความเสี่ยงอื่น ๆ ที่ยังมีอยู่

ความเสี่ยงอื่น ๆ ที่ไม่ได้ระบุในคำเตือนเพื่อความปลอดภัยนี้ อาจเกิดขึ้นได้เมื่อใช้เครื่องมือ ความเสี่ยงเหล่านี้อาจเกิดขึ้นจากการใช้งานอย่างไม่ถูกต้อง การใช้งานเป็นเวลานาน เป็นต้น

แม้ว่าจะปฏิบัติตามข้อกำหนดด้านความปลอดภัยที่เกี่ยวข้องและใช้อุปกรณ์นิรภัยแล้ว แต่ก็ไม่สามารถหลีกเลี่ยงความเสี่ยงอื่น ๆ ที่ยังมีอยู่บางอย่างได้

- ◆ การบาดเจ็บที่เกิดจากการสัมผัสชิ้นส่วนที่หมุนหรือเคลื่อนที่
- ◆ การบาดเจ็บที่เกิดขึ้นขณะเปลี่ยนชิ้นส่วน ใบมีด หรืออุปกรณ์เสริมต่าง ๆ
- ◆ การบาดเจ็บที่เกิดจากการใช้เครื่องมือเป็นเวลานาน เมื่อใช้เครื่องมือเป็นระยะเวลาสั้น ต้องแน่ใจว่าคุณได้หยุดพักเป็นระยะ
- ◆ ความบวมพร่องในการได้ยินเสียง
- ◆ อันตรายต่อสุขภาพที่เกิดจากการสูดดมฝุ่นจากการใช้เครื่องมือ (ตัวอย่างเช่น การทำงานกับไม้ โดยเฉพาไม้โอ๊ค ไม้บีช และไม้ MDF)

ข้อปฏิบัติเพื่อความปลอดภัยเพิ่มเติมสำหรับแบตเตอรี่และที่ชาร์จ

แบตเตอรี่

- ◆ ห้ามพยายามเปิดไม่ว่าจะด้วยเหตุผลใดก็ตาม
- ◆ ห้ามให้แบตเตอรี่โดนน้ำ
- ◆ ห้ามจัดเก็บแบตเตอรี่ไว้ในที่ซึ่งอุณหภูมิอาจสูงเกิน 40°C
- ◆ ชาร์จแบตเตอรี่ที่อุณหภูมิโดยรอบระหว่าง 10°C ถึง 40°C เท่านั้น
- ◆ ชาร์จโดยใช้เฉพาะที่ชาร์จซึ่งจัดทำมาให้พร้อมเครื่อง
- ◆ มือเท่านั้นในการกำจัดแบตเตอรี่ ให้ปฏิบัติตามข้อปฏิบัติซึ่งระบุไว้ในหัวข้อ "การปกป้องสิ่งแวดล้อม"



ห้ามพยายามชาร์จแบตเตอรี่ที่ชำรุดเสียหาย

เครื่องชาร์จ

- ◆ ใช้เครื่องชาร์จ BLACK+DECKER เพื่อชาร์จแบตเตอรี่ภายในเครื่องที่ใหม่พร้อมกันเท่านั้น การชาร์จแบตเตอรี่ชนิดอื่นๆ อาจทำให้แบตเตอรี่ระเบิดและเกิดการบาดเจ็บและความเสียหายได้
- ◆ ห้ามชาร์จ แบตเตอรี่ชนิดชาร์จซ้ำไม่ได้
- ◆ รีบเปลี่ยนสายที่ชำรุดเสียหายทันที
- ◆ อย่าให้เครื่องชาร์จสัมผัสน้ำ
- ◆ ห้ามแกะเปิดเครื่องชาร์จห้ามใช้สิ่งใดแทนเข้าไปในตัวเครื่องชาร์จ



ฐานเครื่องชาร์จนี้มีวัตถุประสงค์เพื่อการใช้งานภายในห้องนั้น



อ่านคู่มือการใช้งานก่อนที่จะใช้งานอุปกรณ์

สัญลักษณ์บนเครื่องมือ

พิกโตแกรมดังต่อไปนี้จะได้รับการแสดงบนเครื่องมือพร้อมด้วยรหัสวันที่:



คำเตือน! เพื่อลดความเสี่ยงต่อการบาดเจ็บ ผู้ใช้ต้องอ่านคู่มือการใช้งานเล่มนี้ก่อนใช้เครื่อง



สวมหมวกากกันฝุ่น

ความปลอดภัยทางไฟฟ้า



ที่ชาร์จของคุณหุ้มฉนวนสองชั้น ดังนั้น จึงไม่จำเป็นต้องมีการเดินสายดิน ต้องตรวจกำลังไฟเพื่อให้ตรงกับแรงดันไฟฟ้าบนแผ่นแสดงพิกัดเสมอ ห้ามเปลี่ยนสายปลั๊กไฟของเครื่องชาร์จเป็นสายปลั๊กไฟธรรมดาโดยเด็ดขาด

- ◆ ถ้าสายไฟของตัวเครื่องชำรุดเสียหาย ต้องได้รับการเปลี่ยนโดยผู้ผลิตหรือศูนย์บริการของ BLACK+DECKER ที่ได้รับอนุญาต เพื่อหลีกเลี่ยงอันตรายที่อาจเกิดขึ้นได้

คุณสมบัติ

เครื่องมือนี้มีคุณสมบัติบางส่วนหรือทั้งหมดดังต่อไปนี้

1. สวิตช์เปิดปิด
2. ด้ามจับ
3. ฐานขัด
4. สายชาร์จ

การชาร์จแบตเตอรี่ (รูป A)

แบตเตอรี่จะต้องได้รับการชาร์จก่อนที่จะใช้งานเป็นครั้งแรก และเมื่อใดก็ตามที่แบตเตอรี่ให้พลังงานไม่พอสำหรับงานที่เคยทำได้ง่าย ๆ มาก่อน แบตเตอรี่อาจร้อนขึ้นระหว่างที่ทำการชาร์จ เรื่องดังกล่าวถือว่าเป็นปกติและไม่เป็นปัญหาแต่อย่างใด

คำเตือน! ห้ามชาร์จแบตเตอรี่ที่อุณหภูมิโดยรอบต่ำกว่า 10°C หรือสูงกว่า 40°C อุณหภูมิการชาร์จที่แนะนำ: ประมาณ 24°C

หมายเหตุ: ที่ชาร์จจะไม่ชาร์จแบตเตอรี่หากอุณหภูมิของแบตเตอรี่ต่ำกว่า 10°C หรือสูงกว่า 40°C โดยประมาณ คุณควรวางแบตเตอรี่ทิ้งไว้ในที่ชาร์จ และที่ชาร์จจะเริ่มทำการชาร์จโดยอัตโนมัติเมื่ออุณหภูมิของแบตเตอรี่สูงขึ้นหรือลดลง

- ◆ ใส่อุปกรณ์เชื่อมต่อการชาร์จ (4) เข้าไปในพอร์ตสำหรับชาร์จ (5)
- ◆ เสียบอุปกรณ์เชื่อมต่อการชาร์จ (4)
- ◆ เชื่อมต่อเครื่องมือเข้ากับที่ชาร์จประมาณ 4 ชั่วโมง
- ◆ ไฟแสดงสถานะการชาร์จจะสว่างระหว่างการชาร์จ

การประกอบ

คำเตือน! ตรวจสอบให้แน่ใจว่า คุณได้ปิดเครื่องมือแล้ว ก่อนที่จะทำการประกอบ

การใส่แผ่นขัด (รูป C)

- ◆ ใส่แผ่นขัด (6) โดยการกดแถบดินตึกแก่ที่เป็น 'ตะขอ' เข้ากับแถบดินตึกแก่ที่เป็น 'ห่วง' ที่ด้านล่างของฐานขัด (3)

การใช้งาน

คำเตือน! ปล่อยให้เครื่องมือทำงานตามจังหวะของตัวเอง ห้ามโอเวอร์โหลด

การเปิดและการปิดเครื่อง

- ◆ กดสวิตช์เปิด/ปิด (1) ในตำแหน่งไปข้างหน้า | เพื่อเปิดเครื่อง
- ◆ กดสวิตช์เปิด/ปิด (1) ในตำแหน่งไปข้างหลัง O เพื่อปิดเครื่อง

การบำรุงรักษา

เครื่องมือของคุณได้รับการออกแบบมาให้สามารถทำงานได้เป็นเวลานานและต้องการการบำรุงรักษาน้อยที่สุด การใช้งานที่นาพึงพอใจอย่างต่อเนื่องจะขึ้นอยู่กับ การดูแลและการทำความสะอาดเครื่องมืออยู่เป็นประจำ

คำเตือน! ก่อนดำเนินการบำรุงรักษาใดๆ ให้ปิดเครื่อง

- ◆ ทำความสะอาดช่องระบายในอุปกรณ์/ที่ชาร์จของคุณอย่างสม่ำเสมอโดยใช้แปรงขนนุ่มหรือผ้าแห้ง
- ◆ ทำความสะอาดที่ครอบมอเตอร์อย่างสม่ำเสมอโดยใช้ผ้าแห้งหมาด อย่าใช้อุปกรณ์ทำความสะอาดที่หยาบหรือน้ำยาที่เป็นสารละลาย

การคุ้มครองสิ่งแวดล้อม



ทั้งแยกต่างหาก ต้องไม่นำผลิตภัณฑ์และแบตเตอรี่ที่มีสัญลักษณ์นี้ไปทิ้งรวมกับของเสีย

ในบ้านตามปกติ

ผลิตภัณฑ์และแบตเตอรี่มีวัสดุที่สามารถนำมาใช้ใหม่ได้ หรือนำมาใช้รีไซเคิลได้เพื่อเป็นการลดความต้องการด้านวัตถุดิบ โปรดรีไซเคิลผลิตภัณฑ์ไฟฟ้าและแบตเตอรี่ตามข้อบังคับในท้องถิ่น โปรดดูข้อมูลเพิ่มเติมที่ www.2helpU.com

ข้อมูลการให้บริการ

BLACK+DECKER มอบเครือข่ายเต็มรูปแบบของศูนย์บริการที่เป็นของบริษัทและศูนย์บริการที่ได้รับการอนุญาตทั่วเอเชีย ศูนย์บริการทั้งหมดของ BLACK+DECKER มีทีมงานและบุคลากรที่ได้รับการฝึกอบรมมาเป็นอย่างดีในการให้บริการและผลิตภัณฑ์ที่มีประสิทธิภาพและไว้วางใจได้แก่ลูกค้า

ติดต่อศูนย์บริการ BLACK+DECKER ใกล้คุณไม่ว่าคุณต้องการคำแนะนำด้านเทคนิค การซ่อมแซม หรือชิ้นส่วนสำหรับการเปลี่ยนที่เป็นของแท้จากโรงงานก็ตาม

หมายเหตุ

- นโยบายของ BLACK+DECKER คือการปรับปรุงผลิตภัณฑ์อย่างต่อเนื่อง ด้วยเหตุนี้ เราจึงขอสงวนสิทธิ์ในการเปลี่ยนแปลงข้อมูลจำเพาะของผลิตภัณฑ์โดยไม่จำเป็นต้องแจ้งให้คุณทราบล่วงหน้า
- อุปกรณ์มาตรฐานและอุปกรณ์เสริมอาจแตกต่างกันออกไปในแต่ละประเทศ
- ข้อมูลจำเพาะของผลิตภัณฑ์อาจแตกต่างกันออกไปในแต่ละประเทศ
- ผลิตภัณฑ์ทุกชนิดอาจไม่มีจำหน่ายในทุกประเทศ โปรดติดต่อตัวแทน BLACK+DECKER ในท้องถิ่นของคุณเพื่อสอบถามความพร้อมจำหน่ายของผลิตภัณฑ์

