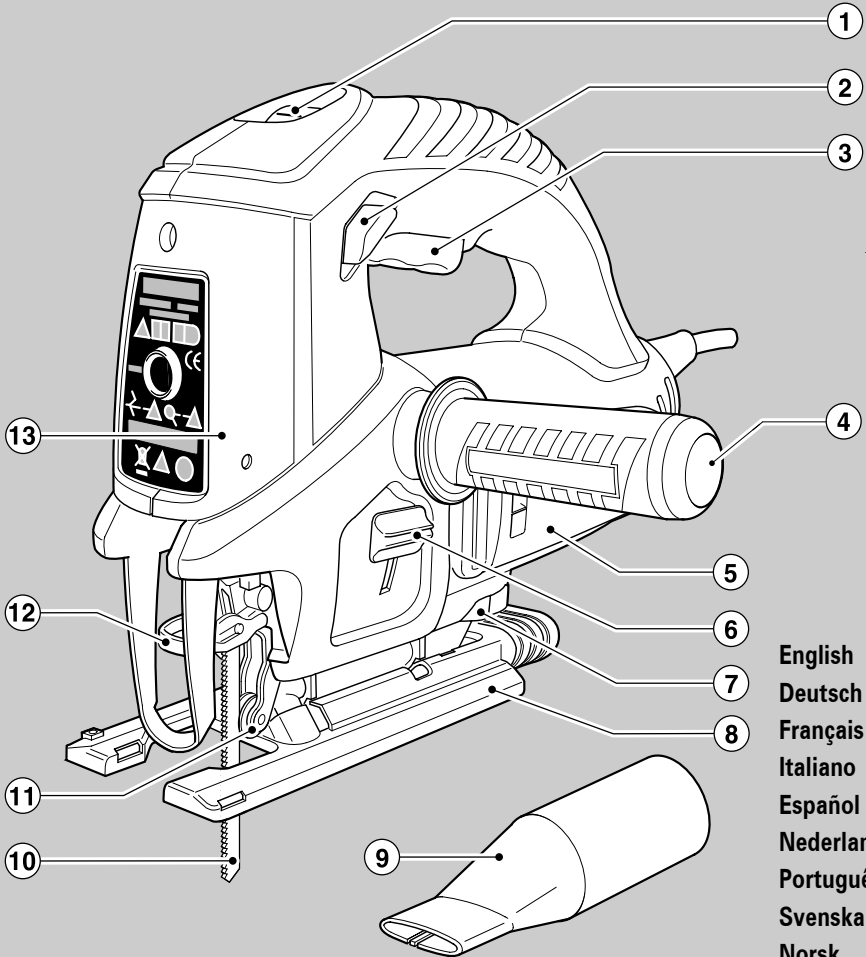


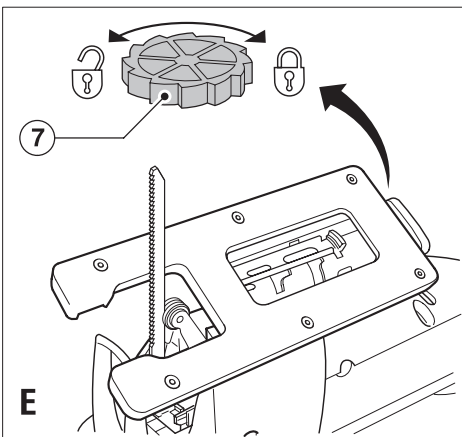
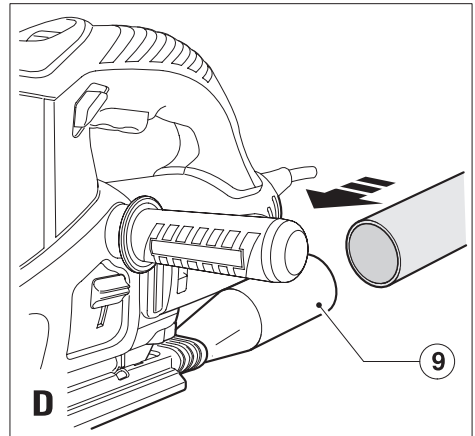
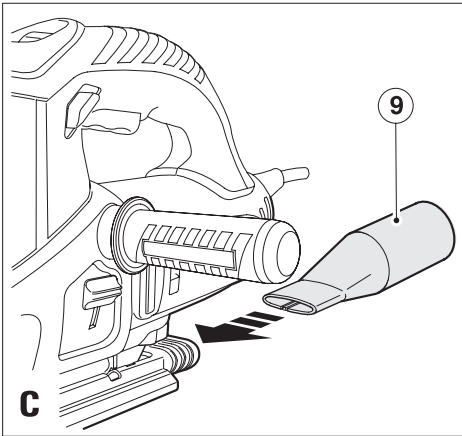
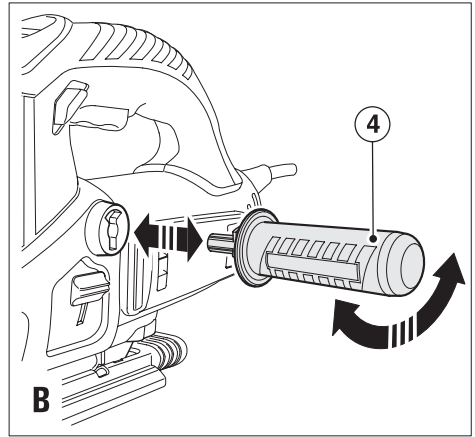
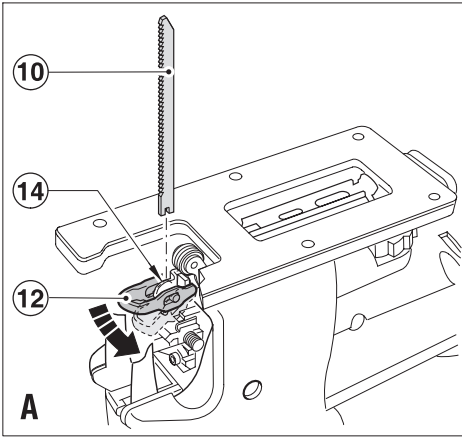


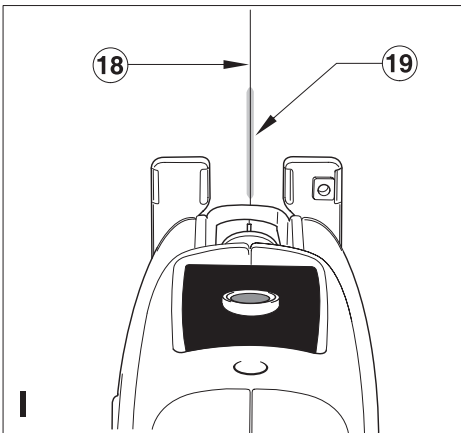
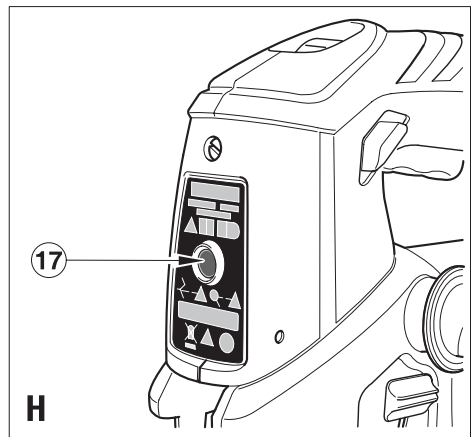
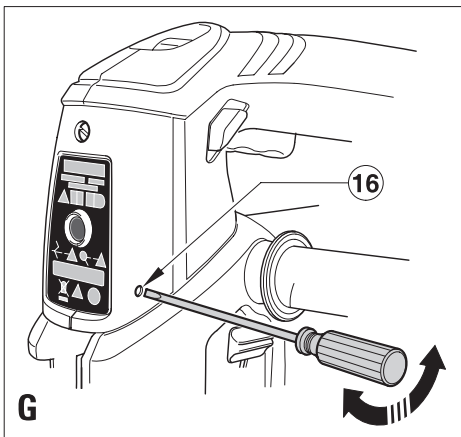
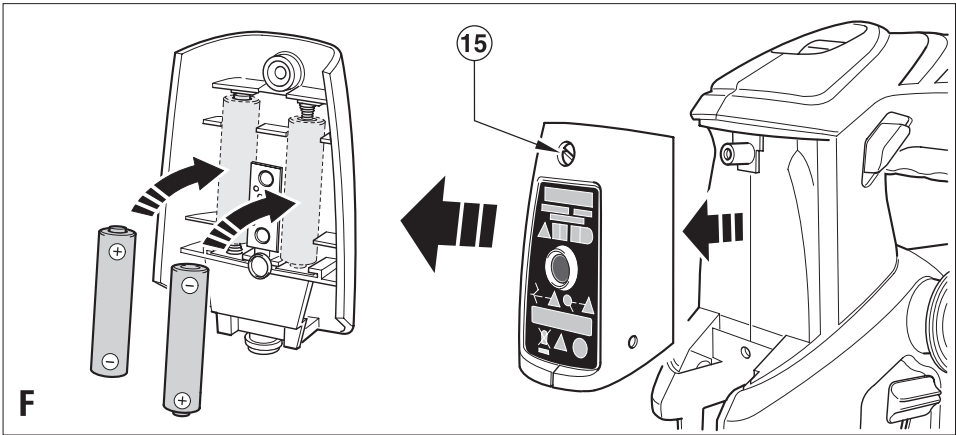
BLACK & DECKER®

www.blackanddecker.com



English	4
Deutsch	9
Français	15
Italiano	20
Español	25
Nederlands	30
Português	35
Svenska	40
Norsk	45
Dansk	50
Suomi	55
Ελληνικά	60





Intended use

Your Black & Decker jigsaw has been designed for sawing wood, plastics and sheet metal. This tool is intended for consumer use only.

General safety rules

Read all instructions. Failure to follow all instructions listed below may result in electric shock, fire and/or serious injury. The term "power tool" in all of the warnings listed below refers to your mains operated (corded) power tool or battery operated (cordless) power tool.

SAVE THESE INSTRUCTIONS.

1. **Work area**
 - a. **Keep work area clean and well lit.** Cluttered and dark areas invite accidents.
 - b. **Do not operate power tools in explosive atmospheres, such as in the presence of flammable liquids, gases or dust.** Power tools create sparks which may ignite the dust or fumes.
 - c. **Keep children and bystanders away while operating a power tool.** Distractions can cause you to lose control.
2. **Electrical safety**
 - a. **Power tool plugs must match the outlet. Never modify the plug in any way. Do not use any adapter plugs with earthed (grounded) power tools.** Unmodified plugs and matching outlets will reduce risk of electric shock.
 - b. **Avoid body contact with earthed or grounded surfaces such as pipes, radiators, ranges and refrigerators.** There is an increased risk of electric shock if your body is earthed or grounded.
 - c. **Do not expose power tools to rain or wet conditions.** Water entering a power tool will increase the risk of electric shock.
 - d. **Do not abuse the cord. Never use the cord for carrying, pulling or unplugging the power tool. Keep cord away from heat, oil, sharp edges or moving parts.** Damaged or entangled cords increase the risk of electric shock.
 - e. **When operating a power tool outdoors, use an extension cord suitable for outdoor use.** Use of a cord suitable for outdoor use reduces the risk of electric shock.
3. **Personal safety**
 - a. **Stay alert, watch what you are doing and use common sense when operating a power tool. Do not use a power tool while you are tired or under the influence of drugs, alcohol or medication.** A moment of inattention while operating power tools may result in serious personal injury.
 - b. **Use safety equipment. Always wear eye protection.** Safety equipment such as dust mask, non-skid safety shoes, hard hat, or hearing protection used for appropriate conditions will reduce personal injuries.
 - c. **Avoid accidental starting. Make sure that the switch is in the off position before plugging in.** Carrying power tools with your finger on the switch or plugging in power tools that have the switch on invites accidents.
 - d. **Remove any adjusting key or wrench before turning the power tool on.** A wrench or a key left attached to a rotating part of the power tool may result in personal injury.
 - e. **Do not overreach. Keep proper footing and balance at all times.** This enables better control of the power tool in unexpected situations.
 - f. **Dress properly. Do not wear loose clothing or jewellery. Keep your hair, clothing and gloves away from moving parts.** Loose clothes, jewellery or long hair can be caught in moving parts.
 - g. **If devices are provided for the connection of dust extraction and collection facilities, make sure that these are connected and properly used.** Use of these devices can reduce dust related hazards.
4. **Power tool use and care**
 - a. **Do not force the power tool. Use the correct power tool for your application.** The correct power tool will do the job better and safer at the rate for which it was designed.
 - b. **Do not use the power tool if the switch does not turn it on and off.** Any power tool that cannot be controlled with the switch is dangerous and must be repaired.
 - c. **Disconnect the plug from the power source before making any adjustments, changing accessories, or storing power tools.** Such preventive safety measures reduce the risk of starting the power tool accidentally.
 - d. **Store idle power tools out of the reach of children and do not allow persons unfamiliar with the power tool or these instructions to operate the power tool.** Power tools are dangerous in the hands of untrained users.
 - e. **Maintain power tools. Check for misalignment or binding of moving parts, breakage of parts and any other condition that may affect the power tools operation. If damaged, have the power tool repaired before use.** Many accidents are caused by poorly maintained power tools.
 - f. **Keep cutting tools sharp and clean.** Properly maintained cutting tools with sharp cutting edges are less likely to bind and are easier to control.

- g. Use the power tool, accessories and tool bits etc., in accordance with these instructions and in the manner intended for the particular type of power tool, taking into account the working conditions and the work to be performed.** Use of the power tool for operations different from those intended could result in a hazardous situation.

5. Service

- a. Have your power tool serviced by a qualified repair person using only identical replacement parts.** This will make sure that the safety of the power tool is maintained.

Electrical safety



This tool is double insulated; therefore no earth wire is required. Always check that the power supply corresponds to the voltage on the rating plate.

Additional safety instructions for non-rechargeable batteries

- ◆ Never attempt to open for any reason.
- ◆ Do not store in locations where the temperature may exceed 40 °C.
- ◆ When disposing of batteries, follow the instructions given in the section "Protecting the environment".

Do not incinerate the batteries.

- ◆ Under extreme conditions, battery leakage may occur. When you notice liquid on the batteries, proceed as follows:
 - Carefully wipe the liquid off using a cloth. Avoid skin contact.

Additional safety instructions for lasers



Read all of this manual carefully.



This product is not to be used by children under 16.



Laser radiation.



Do not look into the laser beam.



Do not use optical tools to view the laser beam.

- ◆ This laser complies with class 2 according to IEC 60825+A1+A2:2001. Do not replace a laser diode with a different type. If the laser is damaged, have the laser repaired by an authorised repair agent.
- ◆ Do not use the laser for any purpose other than projecting laser lines.

- ◆ An exposure of the eye to the beam of a class 2 laser is considered safe for a maximum of 0.25 seconds. Eyelid reflexes will normally provide adequate protection. At distances greater than 1m, the laser complies with class 1 and is therefore considered completely safe.
- ◆ Never look into the laser beam directly and intentionally.
- ◆ Do not use optical tools to view the laser beam.
- ◆ Do not set up the tool where the laser beam can cross any person at head height.
- ◆ Do not let children come near the laser.

Additional safety instructions for jigsaws

Warning! Contact with, or inhalation of dusts arising from cutting applications may endanger the health of the operator and possible bystanders. Wear a dust mask specifically designed for protection against dust and fumes and ensure that persons within or entering the work area are also protected.

Features

This tool includes some or all of the following features:

1. Variable speed control knob
2. Lock-on button
3. On/off switch
4. Side handle
5. Saw blade storage compartment
6. Turbo selector
7. Shoe plate locking knob
8. Shoe plate
9. Dust extraction adaptor
10. Saw blade
11. Saw blade support roller
12. Saw blade locking lever
13. Laser module (not supplied with KS1000NL)

Assembly

Warning! Before attempting any of the following operations, make sure that the tool is switched off and unplugged and that the saw blade has stopped. Used saw blades may be hot.

Fitting the saw blade (fig. A)

- ◆ Hold the saw blade (10) as shown, with the teeth facing forward.
- ◆ Push the lever (12) downwards.
- ◆ Insert the shank of the saw blade into the blade holder (14) as far as it will go.
- ◆ Release the lever (12).

Fitting and removal of the side handle (fig. B)

- ◆ The side handle (4) can be fitted to either the left or right side of the tool.
- ◆ Align and insert the side handle (4) into the location on the tool, then rotate it towards the rear until it locks into place.
- ◆ To remove, rotate it towards the front until it stops, then pull it out of the location.

Connecting a vacuum cleaner to the tool (fig. C & D)

- ◆ Attach the dust extraction adaptor (9) to the shoe plate (8) as shown.
- ◆ Connect the vacuum cleaner hose (not supplied) to the adaptor.

Use

Warning! Never use the tool when the shoe plate is loose or removed.

Adjusting the shoe plate for bevel cuts (fig. E)

The shoe plate can be set to a left or right bevel angle of up to 45°.

- ◆ Turn the shoe plate locking knob (7) counter-clockwise to release the shoe plate (8).
- ◆ Pull the shoe plate (8) backwards and set it to the required angle. You can use a protractor to check the angle.
- ◆ Turn the locking knob (7) clockwise to lock the shoe plate in place.

To reset the shoe plate for straight cuts:

- ◆ Turn the locking knob (7) counter-clockwise to release the shoe plate (8).
- ◆ Set the shoe plate (8) to an angle of approx. 0° then push it forward.
- ◆ Turn the locking knob (7) clockwise to lock the shoe plate in place. Make sure that the shoe plate is supported by the guide ribs.

Variable speed control

- ◆ Set the variable speed control knob (1) to the required speed range. Use a high speed for wood, medium speed for aluminium and PVC and low speed for metals other than aluminium.

Turbo selector

- ◆ For accurate straight and curve cutting and a smooth surface finish, set the turbo selector (6) to position 0.
- ◆ For fast and efficient straight cuts in wood, set the turbo selector (6) to position 2.

Switching on and off

- ◆ To switch the tool on, press the on/off switch (3).
- ◆ To switch the tool off, release the on/off switch (3).
- ◆ For continuous operation, press the lock-on button (2) and release the on/off switch.
- ◆ To switch the tool off when in continuous operation, press the on/off switch (3) once more and release it.

Operating the laser (fig. F - I)

(Not supplied with the KS1000NL)

Installing the batteries (fig. F)

Detach the laser module (13) from the jigsaw by removing the screw (15) and pulling the laser module forward. Insert two new 1.5 Volt AAA alkaline batteries, making sure to match the (+) and (-) terminals correctly. Re-attach the laser module (13).

Adjusting the laser side-to-side (fig. G)

Note: The laser is intended as a cutting aid and does not guarantee a precise cut.

Warning! Do not adjust the laser with the jigsaw plugged in.

- ◆ Use the laser adjustment screw (16) to align the laser line with the saw blade if needed.

The laser visibility (power) will be reduced if the jigsaw is overheated. The laser may not be visible when the saw is overloaded for a prolonged period of time. The laser visibility will gradually return to normal when the tool cools down even when the tool is unplugged.

Warning! Do not leave the overheated laser switched ON. Make sure that the switch is in the OFF position and remove the batteries to cut power to the laser.

Using the laser (fig. H & I)

The laser projects the line of cut on to the surface of the workpiece.

- ◆ To switch the laser on, press the button (17).
- ◆ To switch the laser off, press the button (17) again.

Viewing from directly above the jigsaw, the line of cut can be easily followed. Should this view be restricted for any reason, the laser can be used as an alternative cutting guide.

- ◆ Use a pencil to mark the cutting line.
- ◆ Position the jigsaw over the line.
- ◆ Switch on the laser.

Hints for optimum use

Sawing laminates

Because the saw blade cuts on the upward stroke, splintering may occur on the surface closest to the shoe plate.

- ◆ Use a fine-tooth saw blade.
- ◆ Saw from the back surface of the workpiece.
- ◆ To minimise splintering, clamp a piece of scrap wood or hardboard to both sides of the workpiece and saw through this sandwich.

Sawing metal

- ◆ Be aware that sawing metal takes much more time than sawing wood.
- ◆ Use a saw blade suitable for sawing metal.
- ◆ When cutting thin sheet metal, clamp a piece of scrap wood to the back surface of the workpiece and cut through this sandwich.

- ◆ Spread a film of oil along the intended line of cut.

Accessories

The performance of your tool depends on the accessory used. Black & Decker and Piranha accessories are engineered to high quality standards and are designed to enhance the performance of your tool. By using these accessories, you will get the very best from your tool.

This tool is suitable both for U-shank and T-shank saw blades.

Maintenance

Your Black & Decker tool has been designed to operate over a long period of time with a minimum of maintenance. Continuous satisfactory operation depends upon proper tool care and regular cleaning.

- ◆ Regularly clean the ventilation slots with a clean, dry paintbrush.
- ◆ To clean the tool, use only mild soap and a damp cloth. Never let any liquid get inside the tool and never immerse any part of the tool into liquid.
- ◆ Occasionally apply a drop of oil to the axle of the blade support roller.

Protecting the environment



Should you find one day that your tool needs replacement, or if it is of no further use to you, think of the protection of the environment. Black & Decker repair agents will accept old Black & Decker tools and ensure that they are disposed of in an environmentally safe way.



Separate collection of used products and packaging allows materials to be recycled and used again. Re-use of recycled materials helps prevent environmental pollution and reduces the demand for raw materials.

Local regulations may provide for separate collection of electrical products from the household, at municipal waste sites or by the retailer when you purchase a new product.

Black & Decker provides a facility for the collection and recycling of Black & Decker products once they have reached the end of their working life. To take advantage of this service please return your product to any authorised repair agent who will collect them on our behalf.

You can check the location of your nearest authorised repair agent by contacting your local Black & Decker office at the address indicated in this manual. Alternatively, a list of authorised Black & Decker repair agents and full details of our after-sales service and contacts are available on the Internet at: www.2helpU.com.



At the end of their useful life, discard batteries with due care for our environment. Remove the batteries as described above.

- ◆ Place the batteries in suitable packaging to ensure that the terminals cannot be short-circuited.
- ◆ Take the batteries to a local recycling station.

Technical data

KS1000E/KS1000NL/KS1001E/KS1002E	
Power input	W 710
Number of strokes (no load)	min-1 800-3,200
Max depth of cut	
Wood	mm 85
Steel	mm 4
Aluminium	mm 10

EC declaration of conformity

KS1000E/KS1000NL/KS1001E/KS1002E

Black & Decker declares that these products conform to:
98/37/EC, 89/336/EEC, EN 60745, EN 55014, EN61000,
IEC 60825+A1+A2:2001

L_{pA} (sound pressure) 88 dB(A),

L_{WA} (acoustic power) 99 dB(A),

hand/arm weighted vibration 6.3 m/s^2

K_{pa} (sound pressure uncertainty) 3 dB(A),

K_{wa} (sound power uncertainty) 3 dB(A),

Kevin Hewitt
Director of Consumer Engineering
Spennymoor, County Durham
DL16 6JG,
United Kingdom
30-06-2006

Guarantee

Black & Decker is confident of the quality of its products and offers an outstanding guarantee. This guarantee statement is in addition to and in no way prejudices your statutory rights. The guarantee is valid within the territories of the Member States of the European Union and the European Free Trade Area.

If a Black & Decker product becomes defective due to faulty materials, workmanship or lack of conformity, within 24 months from the date of purchase, Black & Decker guarantees to replace defective parts, repair products subjected to fair wear and tear or replace such products to make sure of the minimum inconvenience to the customer unless:

- ◆ The product has been used for trade, professional or hire purposes.

ENGLISH

- ◆ The product has been subjected to misuse or neglect.
- ◆ The product has sustained damage through foreign objects, substances or accidents.
- ◆ Repairs have been attempted by persons other than authorised repair agents or Black & Decker service staff.

To claim on the guarantee, you will need to submit proof of purchase to the seller or an authorised repair agent. You can check the location of your nearest authorised repair agent by contacting your local Black & Decker office at the address indicated in this manual. Alternatively, a list of authorised Black & Decker repair agents and full details of our after-sales service and contacts are available on the Internet at:

www.2helpU.com

Please visit our website **www.blackanddecker.co.uk** to register your new Black & Decker product and to be kept up to date on new products and special offers. Further information on the Black & Decker brand and our range of products is available at **www.blackanddecker.co.uk**.

Bestimmungsgemäße Verwendung

Ihre Black & Decker Stichsäge wurde zum Sägen von Holz, Kunststoff und Metallblechen entwickelt. Dieses Gerät ist nicht für den gewerblichen Einsatz vorgesehen.

Allgemeine Sicherheitsregeln

Sämtliche Anweisungen sind zu lesen. Die Nichteinhaltung der nachstehend aufgeführten Anweisungen kann einen elektrischen Schlag, Brand und/oder schwere Verletzungen verursachen. Der nachfolgend verwendete Begriff „Gerät“ bezieht sich auf netzbetriebene Geräte (mit Netzkabel) und auf akkubetriebene Geräte (ohne Netzkabel).

BEWAHREN SIE DIESE ANWEISUNGEN AUF.

1. Arbeitsbereich

- a. **Halten Sie Ihren Arbeitsbereich sauber und gut ausgeleuchtet.** Unordnung und dunkle Arbeitsbereiche können zu Unfällen führen.
- b. **Arbeiten Sie mit Geräten nicht in explosionsgefährdeter Umgebung, in der sich brennbare Flüssigkeiten, Gase oder Stäube befinden.** Geräte erzeugen Funken, die den Staub oder die Dämpfe entzündend können.
- c. **Halten Sie Kinder und andere Personen während der Benutzung des Gerätes fern.** Bei Ablenkung können Sie die Kontrolle verlieren.

2. Elektrische Sicherheit

- a. **Der Anschlussstecker des Gerätes muss in die Steckdose passen. Der Stecker darf in keiner Weise verändert werden. Verwenden Sie keine Adapterstecker gemeinsam mit schutzgeerdeten Geräten.** Unveränderte Stecker und passende Steckdosen verringern das Risiko eines elektrischen Schlages.
- b. **Vermeiden Sie Körperkontakt mit geerdeten Oberflächen von Rohren, Heizungen, Herden und Kühlschränken.** Es besteht ein erhöhtes Risiko eines elektrischen Schlages, wenn Ihr Körper geerdet ist.
- c. **Halten Sie Geräte von Regen und Nässe fern.** Das Eindringen von Wasser in ein Gerät erhöht das Risiko eines elektrischen Schlages.
- d. **Missbrauchen Sie nicht das Kabel. Verwenden Sie das Kabel niemals zum Tragen, Ziehen oder Trennen des Gerätes vom Netz. Halten Sie das Kabel fern von Hitze, Öl, scharfen Kanten oder sich bewegenden Teilen.** Beschädigte oder verwickelte Kabel erhöhen das Risiko eines elektrischen Schlages.

- e. **Wenn Sie mit einem Gerät im Freien arbeiten, verwenden Sie nur Verlängerungskabel, die auch für den Außenbereich zugelassen sind.** Die Verwendung eines für den Außenbereich geeigneten Verlängerungskabels verringert das Risiko eines elektrischen Schlages.

3. Sicherheit von Personen

- a. **Seien Sie aufmerksam, achten Sie darauf, was Sie tun, und gehen Sie vernünftig mit einem Gerät um. Benutzen Sie das Gerät nicht, wenn Sie müde sind oder unter dem Einfluss von Drogen, Alkohol oder Medikamenten stehen.** Ein Moment der Unachtsamkeit beim Gebrauch von Geräten kann zu ernsthaften Verletzungen führen.
- b. **Verwenden Sie Schutzausrüstung. Tragen Sie stets einen Augenschutz.** Schutzausrüstung wie Staubmaske, rutschfeste Sicherheitsschuhe, Schutzhelm oder Gehörschutz, je nach Art und Einsatz des Gerätes, verringert das Risiko von Verletzungen.
- c. **Vermeiden Sie eine unbeabsichtigte Inbetriebnahme. Vergewissern Sie sich, dass das Gerät ausgeschaltet ist, bevor Sie es an das Stromnetz anschließen.** Durch das Tragen des Gerätes mit dem Finger am Schalter oder durch das Anschließen eingeschalteter Geräte werden Unfälle provoziert.
- d. **Entfernen Sie Einstell- oder Schraubenschlüssel, bevor Sie das Gerät einschalten.** Ein Schlüssel, der sich in einem sich drehenden Teil befindet, kann zu Verletzungen führen.
- e. **Strecken Sie sich nicht zu weit nach vorne. Achten Sie jederzeit auf einen sicheren Stand, und halten Sie jederzeit das Gleichgewicht.** Dadurch können Sie das Gerät in unerwarteten Situationen besser unter Kontrolle halten.
- f. **Tragen Sie geeignete Kleidung. Tragen Sie keine weite Kleidung oder Schmuck. Halten Sie Haare, Kleidung und Handschuhe fern von sich bewegenden Teilen.** Lockere Kleidung, Schmuck oder lange Haare können von sich bewegenden Teilen erfasst werden.
- g. **Falls Staubabsaug- und Staubfangvorrichtungen vorhanden sind, vergewissern Sie sich, dass diese angeschlossen sind und richtig verwendet werden.** Das Verwenden dieser Einrichtungen verringert Gefährdungen durch Staub.

4. Gebrauch und Pflege von Geräten

- a. **Überlasten Sie das Gerät nicht. Verwenden Sie für Ihre Arbeit das dafür bestimmte Gerät.** Mit dem passenden Gerät arbeiten Sie besser und sicherer im angegebenen Leistungsbereich.

b. Benutzen Sie kein Gerät, dessen Schalter defekt ist.

Ein Gerät, das sich nicht mehr ein- oder ausschalten lässt, ist gefährlich und muss repariert werden.

c. Ziehen Sie den Stecker aus der Steckdose, bevor Sie Einstellungen vornehmen, Zubehörteile wechseln oder das Gerät weglegen. Diese Vorsichtsmaßnahme verhindert den unbeabsichtigten Start des Gerätes.

d. Bewahren Sie unbenutzte Geräte außerhalb der Reichweite von Kindern auf. Lassen Sie Geräte nicht von Personen benutzen, die damit nicht vertraut sind oder diese Anweisungen nicht gelesen haben. Geräte sind gefährlich, wenn Sie von unerfahrenen Personen benutzt werden.

e. Halten Sie Geräte in einem einwandfreien Zustand. Kontrollieren Sie, ob bewegliche Teile falsch ausgerichtet sind oder klemmen und ob Teile gebrochen oder so beschädigt sind, dass die Funktion des Gerätes beeinträchtigt ist. Lassen Sie beschädigte Geräte vor dem Gebrauch reparieren.

Viele Unfälle haben ihre Ursache in schlecht gewarteten Geräten.

f. Halten Sie Schneidgeräte scharf und sauber. Sorgfältig gepflegte Schneidgeräte mit scharfen Schneidkanten verkleben sich weniger und sind leichter zu führen.

g. Verwenden Sie Gerät, Zubehör, Einsatz-Bits usw. entsprechend diesen Anweisungen und so, wie es für diesen speziellen Gerätetyp vorgeschrieben ist. Berücksichtigen Sie dabei die Arbeitsbedingungen und die auszuführende Arbeit. Der Gebrauch von Geräten für andere als die vorgesehenen Anwendungen kann zu gefährlichen Situationen führen.

5. Service

a. Lassen Sie Ihr Gerät nur von qualifiziertem Fachpersonal und nur mit Original-Ersatzteilen reparieren. Damit wird gewährleistet, dass die Sicherheit des Gerätes erhalten bleibt.

Elektrische Sicherheit



Dieses Gerät ist schutzisoliert, daher ist keine Erdleitung erforderlich. Überprüfen Sie immer, ob die Netzspannung der auf dem Typenschild des Gerätes angegebenen Spannung entspricht.

Zusätzliche Sicherheitshinweise für nicht aufladbare Batterien

- ◆ Auf keinen Fall öffnen.
- ◆ Nicht bei Temperaturen über 40 °C lagern.
- ◆ Bei der Entsorgung von Batterien die Hinweise im Abschnitt „Umweltschutz“ beachten.

Batterien nicht ins Feuer werfen.

- ◆ Unter extremen Bedingungen können Batterien undicht werden. Wenn Sie bemerken, dass Flüssigkeit austritt, gehen Sie folgendermaßen vor:
 - Wischen Sie die Flüssigkeit vorsichtig mit einem Tuch ab. Vermeiden Sie Hautkontakt.

Zusätzliche Sicherheitshinweise für Laserprodukte



Lesen Sie diese Anleitung vollständig und aufmerksam durch.



Das Gerät darf nicht von Personen unter 16 Jahren verwendet werden.



Laserstrahlung.



Blicken Sie nicht in den Laserstrahl.



Blicken Sie nicht unter Verwendung optischer Hilfsmittel in den Laserstrahl.

- ◆ Dieser Laser erfüllt die Richtlinien für Laserprodukte der Klasse 2 gemäß IEC 60825+A1+A2:2001. Die Laserdiode des Gerätes darf nicht durch eine Diode anderen Typs ersetzt werden. Im Schadensfall darf der Laser nur durch eine autorisierte Vertragswerkstatt repariert werden.
- ◆ Der Laser darf ausschließlich zum Projizieren einer Laserlinie verwendet werden.
- ◆ Die Strahlung von Laserprodukten der Klasse 2 ist bei kurzzeitiger Einwirkungsdauer (bis zu 0,25 Sekunden) für das Auge ungefährlich. Eine längere Bestrahlung wird normalerweise durch den natürlichen Lidschlussreflex verhindert. Ab einer Entfernung von 1 m erfüllt der Laser die Bedingungen für Laserprodukte der Klasse 1 und ist somit vollständig ungefährlich.
- ◆ Sehen Sie nie direkt und absichtlich in den Laserstrahl.
- ◆ Blicken Sie nicht unter Verwendung optischer Hilfsmittel in den Laserstrahl.
- ◆ Halten Sie das Gerät niemals so, dass die Augen anderer Personen dem Laserstrahl ausgesetzt sind.
- ◆ Achten Sie darauf, dass sich Kinder nicht in der Nähe des Lasers aufhalten.

Zusätzliche Sicherheitshinweise für Stichsäge

Achtung! Die Berührung und das Einatmen von Stäuben, die beim Sägen von Materialien entstehen, können beim Bediener und bei Zuschauern gesundheitliche Schäden verursachen. Tragen Sie eine speziell für den Schutz vor Stäuben und Dämpfen vorgesehene Staubmaske, und stellen Sie sicher, dass auch andere Personen geschützt sind, die den Arbeitsplatz betreten oder sich dort aufhalten.

Merkmale

Dieses Gerät verfügt über einige oder alle der folgenden Merkmale:

1. Regler für Hubzahl
2. Feststellknopf
3. Ein-/Aus-Schalter
4. Seitlicher Haltegriff
5. Fach für Sägeblätter
6. Turboschalter
7. Verriegelungsknopf für Grundplatte
8. Grundplatte
9. Staubsaugeradapter
10. Sägeblatt
11. Führungsrolle für Sägeblatt
12. Hebel für Sägeblatverriegelung
13. Lasereinheit (beim Modell KS1000NL nicht vorhanden)

Montage

Achtung! Vergewissern Sie sich vor Ausführung der folgenden Schritte, dass das Gerät ausgeschaltet und vom Stromnetz getrennt ist, und dass das Sägeblatt zum Stillstand gekommen ist. Nach Verwendung der Stichsäge kann das Sägeblatt heiß sein.

Einsetzen des Sägeblatts (Abb. A)

- ◆ Halten Sie das Sägeblatt (10) wie gezeigt mit den Zähnen nach vorne.
- ◆ Drücken Sie den Verriegelungshebel (12) nach unten.
- ◆ Setzen Sie den Schaft des Sägeblatts in den Sägeblatthalter (14) ein, und drücken Sie das Sägeblatt bis zum Anschlag nach unten.
- ◆ Lassen Sie den Verriegelungshebel (12) los.

Anbringen und Abnehmen des seitlichen Haltegriffs (Abb. B)

- ◆ Der seitliche Haltegriff (4) kann rechts oder links am Gerät angebracht werden.
- ◆ Setzen Sie den Haltegriff in die dafür vorgesehene Öffnung am Gerät ein, und drehen Sie ihn dann in Richtung Geräterückseite, bis er einrastet.
- ◆ Zum Abnehmen des Griffs drehen Sie ihn bis zum Anschlag in Richtung Gerätevorderseite, und ziehen Sie ihn anschließend aus dem Gerät.

Anschließen eines Staubsaugers (Abb. C und D)

- ◆ Bringen Sie den Staubsaugeradapter (9) an der Rückseite der Grundplatte (8) an.
- ◆ Schließen Sie den Schlauch des Staubsaugers (nicht im Lieferumfang enthalten) am Adapter an.

Gebrauch

Achtung! Betreiben Sie das Gerät nicht mit loser oder abgenommener Grundplatte.

Schwenken der Grundplatte für Gehrungsschnitte (Abb. E)

Die Grundplatte kann nach links und rechts bis zu einem Winkel von 45° geschwenkt werden.

- ◆ Drehen Sie den Verriegelungsknopf (7) gegen den Uhrzeigersinn, um die Grundplatte (8) zu lösen.
- ◆ Ziehen Sie die Grundplatte (8) nach hinten, und schwenken Sie sie, bis der gewünschte Winkel erreicht ist. Verwenden Sie ggf. einen Winkelmesser.
- ◆ Drehen Sie den Verriegelungsknopf (7) im Uhrzeigersinn, um die Grundplatte in ihrer Stellung zu fixieren.

So bringen Sie die Grundplatte wieder in die Position für gerade Schnitte:

- ◆ Drehen Sie den Verriegelungsknopf (7) gegen den Uhrzeigersinn, um die Grundplatte (8) zu lösen.
- ◆ Schwenken Sie die Grundplatte (8) zurück in die Ausgangsstellung (Winkel von 0°), und schieben Sie sie nach vorne.
- ◆ Drehen Sie den Verriegelungsknopf (7) im Uhrzeigersinn, um die Grundplatte in ihrer Stellung zu fixieren. Vergewissern Sie sich, dass die Grundplatte an den Führungsstegen anliegt.

Regler für Hubzahl

- ◆ Stellen Sie den Regler für die Hubzahl auf die gewünschte Geschwindigkeit ein. Wählen Sie für Holz eine hohe, für Aluminium und PVC eine mittlere und für andere Metalle eine niedrige Geschwindigkeit.

Turboschalter

- ◆ Um möglichst exakte Gerad- und Kurvenschnitte mit glatten Schnittkanten zu erhalten, bringen Sie den Turboschalter (6) in die Stellung 0.
- ◆ Für schnelle gerade Schnitte in Holz bringen Sie den Turboschalter (6) in die Stellung 2.

Ein- und Ausschalten

- ◆ Zum Einschalten des Gerätes drücken Sie den Ein-/Ausschalter (3).
- ◆ Zum Ausschalten des Gerätes lassen Sie den Ein-/Ausschalter (3) los.
- ◆ Für das Arbeiten im Dauerbetrieb drücken Sie den Feststellknopf (2) und lassen den Ein-/Ausschalter los.
- ◆ Wenn sich das Gerät im Dauerbetrieb befindet, müssen Sie zum Ausschalten den Ein-/Ausschalter (3) zweimal drücken.

Betrieb mit Laser (Abb. F bis I)

(nicht beim Modell KS1000NL)

Einsetzen der Batterien (Abb. F)

Nehmen Sie die Lasereinheit (13) von der Stichsäge ab. Drehen Sie dazu die Schraube (15) heraus, und ziehen Sie die Lasereinheit nach vorne ab. Setzen Sie zwei neue 1,5-Volt-Alkalibatterien der Größe AAA ein. Achten Sie auf die richtige Lage der positiven (+) und negativen (-) Anschlusspole. Bringen Sie die Lasereinheit (13) wieder an.

Seitliche Justierung des Lasers (Abb. G)

Hinweis: Der Laser unterstützt Sie beim Führen der Säge, garantiert aber keinen präzisen Schnitt.

Achtung! Ziehen Sie vor der Justierung des Lasers den Netzstecker.

- ◆ Richten Sie bei Bedarf Laserlinie und Sägeblatt mithilfe der Laserjustierschraube (16) aus.

Eine Überhitzung kann dazu führen, dass die projizierte Laserlinie schwächer wird. Wird die Säge längere Zeit mit zu hoher Last betrieben, verschwindet die Linie möglicherweise ganz. Sie wird wieder sichtbar, wenn sich das Gerät abkühlt (auch bei ausgeschaltetem und vom Stromnetz getrenntem Gerät).

Achtung! Lassen Sie im Fall einer Überhitzung den Laser nicht eingeschaltet. Schalten Sie ihn aus, und nehmen Sie die Batterien heraus, um seine Stromversorgung zu unterbrechen.

Verwenden des Lasers (Abb. H und I)

Der Laser projiziert die Schnittlinie auf die Oberfläche des Werkstücks.

- ◆ Zum Einschalten des Lasers drücken Sie die Taste (17).
- ◆ Zum Ausschalten des Lasers drücken Sie erneut die Taste (17).

Wenn Sie von oben auf die Stichsäge blicken, können Sie der Schnittlinie problemlos folgen. Sollte dieser Blickwinkel nicht möglich sein, kann die Laserlinie als Führungshilfe verwendet werden.

- ◆ Markieren Sie die Schnittlinie mit einem geeigneten Stift.
- ◆ Richten Sie die Stichsäge über der Linie aus.
- ◆ Schalten Sie den Laser ein.

Hinweise für optimale Arbeitsergebnisse

Sägen von Laminat

Da der Schnittvorgang bei der Aufwärtsbewegung des Sägeblatts erfolgt, kann die Oberfläche des Werkstücks splintern. Es entsteht dann eine unregelmäßige, ausgefranzte Schnittkante.

- ◆ Verwenden Sie ein Sägeblatt mit feiner Zahnung.
- ◆ Drehen Sie das Werkstück um, und setzen Sie die Säge an der Unterseite an.
- ◆ Ausgefranzte Kanten und Absplitterungen können Sie auch vermeiden, indem Sie das zu sägende Werkstück zwischen zwei Holz- oder Pressspanplatten einspannen und dieses „Sandwich“ sägen.

Sägen von Metall

- ◆ Beim Sägen von Metall erfolgt der Vorschub wesentlich langsamer als bei Werkstücken aus Holz.
- ◆ Verwenden Sie ein Sägeblatt, das zum Sägen von Metall geeignet ist.
- ◆ Spannen Sie dünne Metallbleche zum Sägen auf eine Holz- oder Pressspanplatte.
- ◆ Bringen Sie einen dünnen Ölfilm entlang der beabsichtigten Schnittlinie auf.

Zubehör

Das verwendete Zubehör hat wesentlichen Einfluss auf die Leistung des Gerätes. Zubehörteile von Black & Decker und Piranha erfüllen höchste Qualitätsstandards und wurden speziell für die Verwendung mit Ihrem Gerät entwickelt. Bei Verwendung dieses Zubehörs erhalten Sie stets optimale Ergebnisse.

Das Gerät ist für Sägeblätter mit U- und T-Schaft geeignet.

Wartung

Ihr Black & Decker Gerät wurde im Hinblick auf eine lange Lebensdauer und einen möglichst geringen Wartungsaufwand entwickelt. Ein dauerhafter, einwandfreier Betrieb setzt eine regelmäßige Pflege und Reinigung voraus.

- ◆ Reinigen Sie die Lüftungsschlitze regelmäßig mit einem sauberen, trockenen Pinsel.
- ◆ Reinigen Sie das Gerät ausschließlich mit milder Seifenlösung und einem angefeuchteten Tuch. Achten Sie darauf, dass keine Flüssigkeit in das Gerät gelangt. Tauchen Sie kein Teil des Gerätes in Flüssigkeit ein.
- ◆ Schmieren Sie gelegentlich die Achse der Sägeblattführungsrolle mit einem Tropfen Öl.

Umweltschutz



Sollten Sie das Gerät eines Tages durch ein neues Gerät ersetzen möchten oder keine Verwendung mehr dafür haben, denken Sie bitte an den Schutz der Umwelt. Black & Decker nimmt Ihre ausgedienten Black & Decker Geräte gern zurück und sorgt für eine umweltgerechte Entsorgung.



Durch die separate Sammlung von ausgedienten Produkten und Verpackungsmaterialien können Rohstoffe recycelt und wiederverwendet werden. Die Wiederverwendung aufbereiteter Materialien trägt zur Vermeidung der Umweltverschmutzung bei und senkt den Rohstoffbedarf.

Die Abfallentsorgungssatzung Ihrer Gemeinde sieht möglicherweise vor, dass Elektrogeräte getrennt vom Hausmüll gesammelt, an der örtlichen Abfallentsorgungseinrichtung abgegeben oder beim Kauf eines neuen Produkts vom Fachhandel zur Entsorgung angenommen werden müssen.

Black & Decker nimmt Ihre ausgedienten Black & Decker-Geräte gern zurück und sorgt für eine umweltfreundliche Entsorgung bzw. Wiederverwertung. Um diese Dienstleistung in Anspruch zu nehmen, geben Sie das Gerät bitte bei einer autorisierten Reparaturwerkstatt ab, die für uns die Einsammlung übernimmt.

Die Adresse der zuständigen Niederlassung von Black & Decker steht in dieser Anleitung. Diese teilt Ihnen gerne die nächstgelegene Vertragswerkstatt mit. Außerdem ist eine Liste der Vertragswerkstätten und aller Kundendienststellen von Black & Decker sowie der zuständigen Ansprechpartner im Internet zu finden unter: **www.2helpU.com**.



Denken Sie bei der Entsorgung von verbrauchten Batterien an unsere Umwelt. Entnehmen Sie die Batterien, wie oben beschrieben.

- ◆ Verpacken Sie die Batterien in einem geeigneten Behälter, so dass die Anschlusspole nicht kurzgeschlossen werden können.
- ◆ Bringen Sie die Batterien zu einer Rücknahmestelle in Ihrer Nähe.

Technische Daten

KS1000E/KS1000NL/KS1001E/KS1002E

Leistungsaufnahme	W 710
Anzahl der Hübe (lastfrei)	min-1 800-3.200
Maximale Schnitttiefe	
Holz	mm 85
Stahl	mm 4
Aluminium	mm 10

EU-Konformitätserklärung

KS1000E/KS1000NL/KS1001E/KS1002E

Black & Decker erklärt, dass diese Produkte den folgenden Normen entsprechen:

98/37/EG, 89/336/EWG, EN 60745, EN 55014, EN61000, IEC 60825+A1+A2:2001

L_{pA} (Schalldruck): 88 dB(A)

L_{WA} (Schallleistung): 99 dB(A)

Gewichtete Hand-/Armvibrationen: $<6,3 \text{ m/s}^2$

K_{pa} (Schalldruck-Unsicherheitsfaktor): 3 dB(A)

K_{wa} (Schallleistungs-Unsicherheitsfaktor): 3 dB(A)

Kevin Hewitt

Director of Consumer Engineering

Spennymoor, County Durham

DL16 6JG,

Vereinigtes Königreich

30-06-2006

Garantie

Black & Decker vertraut auf die Qualität der eigenen Geräte und bietet dem Käufer eine außergewöhnliche Garantie. Diese Garantiezusage versteht sich unbeschadet der gesetzlichen Gewährleistungsansprüche und schränkt diese keinesfalls ein. Sie gilt in sämtlichen Mitgliedsstaaten der Europäischen Union und der Europäischen Freihandelszone EFTA.

Tritt innerhalb von 24 Monaten ab Kaufdatum an einem Gerät von Black & Decker ein auf Material- oder Verarbeitungsfehler zurückzuführender Mangel auf, garantiert Black & Decker den Austausch defekter Teile, die Reparatur von Geräten mit üblichem Verschleiß bzw. den Austausch eines mangelhaften Gerätes, ohne den Kunden dabei mehr als unbedingt nötig in Anspruch zu nehmen, allerdings vorbehaltlich folgender Ausnahmen:

- ◆ wenn das Gerät gewerblich, beruflich oder im Verleihgeschäft benutzt wurde;
- ◆ wenn das Gerät missbräuchlich verwendet oder mit mangelnder Sorgfalt behandelt wurde;
- ◆ wenn das Gerät durch irgendwelche Fremdeinwirkung beschädigt wurde;
- ◆ wenn ein unbefugter Reparaturversuch durch anderes Personal als das einer Vertragswerkstatt oder des Black & Decker-Kundendienstes unternommen wurde.

Zur Inanspruchnahme dieser Garantie ist dem Verkäufer bzw. der Vertragswerkstatt ein Kaufnachweis vorzulegen. Die Adresse der zuständigen Niederlassung von Black & Decker steht in dieser Anleitung. Diese teilt Ihnen gerne die nächstgelegene Vertragswerkstatt mit. Außerdem ist eine Liste der Vertragswerkstätten und aller Kundendienststellen von Black & Decker sowie der zuständigen Ansprechpartner im Internet zu finden unter:

www.2helpU.com

Bitte besuchen Sie unsere Webseite

www.blackanddecker.de, um Ihr neues Black & Decker-Produkt zu registrieren und über neue Produkte und Sonderangebote informiert zu werden. Weitere Informationen über die Marke Black & Decker und unsere Produkte finden Sie unter **www.blackanddecker.de**.

Utilisation

Votre scie sauteuse Black & Decker est conçue pour la découpe du bois, du plastique et du métal. Cet outil a été conçu pour une utilisation exclusivement domestique.

Consignes générales de sécurité

Lisez toutes les instructions. Le non-respect des instructions indiquées ci-dessous peut entraîner une électrocution, un incendie et/ou de graves blessures. La notion "d'outil électroportatif" mentionnée par la suite se rapporte à des outils électriques raccordés au secteur (avec câble de raccordement) ou fonctionnant avec piles (sans fil).

CONSERVEZ PRÉCIEUSEMENT CES CONSIGNES DE SÉCURITÉ.

1. Aire de travail

a. Maintenez la zone de travail propre et bien éclairée.

Un lieu de travail en désordre ou mal éclairé augmente le risque d'accidents.

b. N'utilisez pas les outils électroportatifs dans un environnement présentant des risques d'explosion, ni en présence de liquides, gaz ou poussières inflammables.

Les outils électroportatifs génèrent des étincelles risquant d'enflammer les poussières ou les vapeurs.

c. Tenez les enfants et autres personnes éloignés durant l'utilisation de l'outil électroportatif.

En cas d'inattention, vous risquez de perdre le contrôle sur l'appareil.

2. Sécurité électrique

a. La fiche de secteur de l'outil électroportatif doit convenir à la prise de courant. Ne modifiez en aucun cas la fiche. N'utilisez pas de fiches d'adaptateur avec des appareils ayant une prise de terre.

Les fiches non modifiées et les prises de courant appropriées réduisent le risque de choc électrique.

b. Évitez le contact physique avec des surfaces mises à la terre telles que tuyaux, radiateurs, fours et réfrigérateurs.

Il y a un risque élevé de choc électrique si votre corps est relié à la terre.

c. N'exposez pas l'outil électroportatif à la pluie ni à l'humidité.

La pénétration d'eau dans un outil électroportatif augmente le risque de choc électrique.

d. Préservez le câble d'alimentation. N'utilisez pas le câble pour porter l'outil, pour l'accrocher ou encore pour le débrancher de la prise de courant. Maintenez le câble éloigné des sources de chaleurs, des parties grasses, des bords tranchants ou des parties de l'appareil en rotation.

Un câble endommagé ou enchevêtré augmente le risque de choc électrique.

e. Si vous utilisez l'outil électroportatif à l'extérieur, utilisez une rallonge homologuée pour utilisation à l'air libre.

L'utilisation d'une rallonge électrique homologuée pour les applications extérieures réduit le risque de choc électrique.

3. Sécurité personnelle

a. Restez vigilant. Faites preuve de bon sens quand vous utilisez l'outil électroportatif. Si vous êtes fatigué, si vous avez un traitement médical, si vous avez consommé de l'alcool ou pris des médicaments, n'utilisez pas cet outil.

Un moment d'inattention pendant la manipulation de l'outil peut entraîner de graves blessures.

b. Portez des équipements de protection. Portez toujours des lunettes de protection.

Le port d'équipements de protection personnelle tels que masque anti-poussières, chaussures de sécurité antidérapantes, casque ou protection auditive, selon le travail à effectuer, réduit le risque de blessures.

c. Restez vigilant; l'outil peut se mettre en marche accidentellement. Avant de brancher l'appareil, vérifiez que l'interrupteur est sur la position arrêt.

Porter des appareils électriques en maintenant le doigt sur l'interrupteur ou les brancher avec l'interrupteur activé (on) représente un risque d'accident.

d. Enlevez tout outil ou clé de réglage avant de mettre l'appareil en marche.

Une clé ou un outil se trouvant sur une partie en rotation peut causer des blessures.

e. Installez-vous confortablement. Adoptez une position stable et gardez votre équilibre en permanence.

Le contrôle de l'outil sera plus facile à garder.

f. Portez des vêtements appropriés. Ne pas porter de vêtements flottants ou de bijoux. N'approchez pas les cheveux, vêtements ou gants des parties de l'appareil en rotation.

Les vêtements amples, les bijoux ou les cheveux longs peuvent être attrapés dans les pièces en mouvement.

g. Si des dispositifs servant à aspirer ou à recueillir les poussières doivent être utilisés, raccordez-les et utilisez-les correctement.

L'utilisation de tels dispositifs réduit les dangers dus aux poussières.

4. Utilisation des outils électroportatifs et précautions

a. Ne surchargez pas l'outil. Utilisez l'outil électroportatif approprié pour le travail à effectuer.

Avec l'outil électroportatif approprié, vous travaillerez mieux et avec plus de sécurité à la vitesse pour laquelle il a été conçu.

b. N'utilisez pas un outil électroportatif dont l'interrupteur est défectueux.

Un outil électroportatif qui ne peut plus être mis en ou hors fonctionnement est dangereux et doit être réparé.

- c. Retirez la fiche de la prise de courant avant d'effectuer des réglages sur l'outil, de changer les accessoires ou de ranger l'appareil.** Cette mesure de précaution empêche une mise en marche par mégarde.
- d. Rangez les outils électroportatifs hors de portée des enfants. En aucun cas, les personnes ne connaissant pas l'outil ou n'ayant pas lu ces instructions ne doivent l'utiliser.** Les outils électroportatifs sont dangereux lorsqu'ils sont utilisés par des personnes non initiées.
- e. Prenez soin des outils électroportatifs. Vérifiez que les parties en mouvement fonctionnent correctement et qu'elles ne sont pas coincées ; vérifiez qu'il n'y a pas de pièces cassées ou endommagées susceptibles de nuire au bon fonctionnement de l'outil. S'il est endommagé, faites réparer l'outil avant de l'utiliser.** De nombreux accidents sont dus à des outils électroportatifs mal entretenus.
- f. Maintenez les outils de coupe aiguisés et propres.** Des outils soigneusement entretenus avec des bords tranchants bien aiguisés se coincent moins souvent et peuvent être guidés plus facilement.
- g. Utilisez les outils électroportatifs, les accessoires, les outils à monter, etc. en respectant ces instructions et en conformité avec ce type d'outils. Tenez compte également des conditions de travail et du travail à effectuer.** L'utilisation des outils électroportatifs à d'autres fins que celles prévues peut être dangereuse.

5. Réparations

- a. Faites réparer votre outil électroportatif uniquement par du personnel qualifié et seulement avec des pièces de rechange d'origine.** La fiabilité de l'outil sera ainsi maintenue.

Sécurité électrique



Cet outil est doublement isolé; par conséquent, aucun câble de masse n'est nécessaire. Vérifiez si l'alimentation mentionnée sur la plaque signalétique de l'appareil correspond bien à la tension présente sur le lieu.

Consignes de sécurité supplémentaires pour piles non-rechargeables

- * En aucun cas, n'essayez d'ouvrir l'appareil.
- * Ne le rangez pas dans des endroits où la température peut dépasser 40 °C.
- * Pour jeter les piles, suivez les instructions données dans la section "Protection de l'environnement".

Ne jetez pas les piles au feu.

- * Dans des conditions extrêmes, une pile peut couler. Si vous observez des traces de liquide sur les piles, effectuez ce qui suit :
 - Avec un chiffon, essuyez le liquide en prenant toutes les précautions nécessaires. Évitez tout contact avec la peau.

Consignes de sécurité supplémentaires pour utilisation du laser



Lisez attentivement le manuel complet.



Cet appareil ne doit pas être utilisé par des enfants de moins de 16 ans.



Rayonnement laser.



Ne jamais regarder le faisceau à l'œil nu.



Ne jamais utiliser d'instrument d'optique pour regarder le faisceau.

- * Ce laser est conforme aux normes de sécurité 60825+A1+A2:2001, classe 2 du CEI. Ne jamais remplacer une diode laser par une diode d'un type différent. Si le laser est endommagé, faites le réparer par un réparateur agréé.
- * N'utilisez jamais le laser à des fins autres que la projection de raies laser.
- * La vision directe du rayon laser de classe 2 n'est pas considérée comme dangereuse jusqu'à 0,25 secondes. La protection de l'œil est normalement assurée par le réflexe de clignement. À plus de 1m, le rayonnement laser correspond au laser de classe 1 et ne présente aucun risque.
- * Ne jamais regarder directement et volontairement le rayon laser.
- * Ne jamais utiliser d'instrument d'optique pour regarder le faisceau.
- * Installez l'outil en prenant soin d'éviter que le rayon laser ne puisse atteindre personne à la hauteur de la tête.
- * Ne laissez pas les enfants approcher du laser.

Consignes de sécurité supplémentaires pour sciés sauteuses

Attention ! Tout contact ou inhalation de poussières pendant la coupe peut représenter un danger pour la santé de l'opérateur ainsi, qu'éventuellement, des personnes autour. Portez un masque contre la poussière spécialement conçu pour vous protéger des sciures et des fumées toxiques et veillez à ce que les personnes se trouvant à l'intérieur de la zone de travail ou y pénétrant soient également protégées.

Caractéristiques

Cet outil comprend certains, ou tous, les éléments suivants :

1. Bouton de commande de variation de vitesse
2. Bouton de verrouillage
3. Interrupteur marche/arrêt
4. Poignée latérale
5. Compartiment de rangement de lames de scie
6. Sélecteur de mode turbo
7. Bouton de verrouillage de semelle
8. Semelle
9. Adaptateur de dépoussiérage
10. Lame de scie
11. Rouleau de support de lame
12. Levier de blocage de lame
13. Module laser (n'existe pas sur la scie KS1000NL)

Assemblage

Attention ! Avant d'exécuter ce qui suit, assurez-vous que l'appareil est éteint, débranché et que la lame n'est plus en mouvement. Les lames, après utilisation, peuvent être chaudes.

Mise en place de la lame (figure A)

- * Maintenez la lame (10) comme indiqué, avec les dents orientées vers l'avant.
- * Poussez le levier (12) vers le bas.
- * Insérez la tige de la lame dans le support de lame (14) le plus loin possible.
- * Dégagez le levier (12).

Mise en place et retrait de la poignée latérale (figure B)

- * La poignée latérale (4) peut être installée à gauche ou à droite sur l'outil.
- * Alignez et insérez la poignée latérale (4) dans l'outil, puis la faire tourner vers l'arrière pour qu'elle s'enclenche.
- * Pour la retirer, faites la tourner vers l'avant jusqu'à la butée, puis sortez-la en tirant.

Raccordement d'un aspirateur à l'outil (figure C et D)

- * Attachez l'adaptateur de dépoussiérage (9) à la semelle (8), comme indiqué.
- * Raccordez le tuyau d'aspirateur (non fourni) à l'adaptateur.

Utilisation

Attention ! N'utilisez jamais l'outil sans la semelle, ou si celle-ci est desserrée.

Réglage de semelle pour coupe en biais (figure E)

La semelle peut être installée dans un angle de biseau gauche ou droit allant jusqu'à 45°.

- * Tournez le bouton de verrouillage de semelle (7) dans le sens contraire des aiguilles d'une montre pour dégager la semelle (8).

- * Tirez la semelle (8) vers l'arrière et choisissez l'angle désiré. Vous pouvez utiliser un rapporteur pour vérifier l'angle.
- * Tournez le bouton de verrouillage (7) dans le sens des aiguilles d'une montre pour verrouiller la semelle en place.

Pour remettre la semelle en mode de coupe droite :

- * Tournez le bouton de verrouillage (7) dans le sens contraire des aiguilles d'une montre pour dégager la semelle (8).
- * Installez la semelle (8) dans un angle d'environ 0°, puis la pousser vers l'avant.
- * Tournez le bouton de verrouillage (7) dans le sens des aiguilles d'une montre pour verrouiller la semelle en place. Assurez-vous que la semelle est correctement installée sur les rainures de guidage.

Commande de variation de vitesse

- * Réglez le bouton de commande de variation de vitesse (1) à la vitesse désirée. La vitesse rapide correspond à la coupe du bois, la vitesse moyenne à la coupe de l'aluminium et du PVC et la faible vitesse à la coupe des métaux autres que l'aluminium.

Sélecteur de mode turbo

- * Pour une coupe exacte de ligne droite ou de courbe et une finition lisse, sélectionnez le sélecteur de mode turbo (6) sur 0.
- * Pour des coupes rapides et efficaces dans le bois, réglez le sélecteur de mode turbo (6) sur 2.

Démarrage et arrêt

- * Pour mettre l'outil en marche, appuyez sur l'interrupteur marche/arrêt (3).
- * Pour arrêter l'outil, relâchez l'interrupteur marche/arrêt (3).
- * Pour une coupe continue, appuyez sur le bouton de verrouillage (2) et relâchez l'interrupteur marche/arrêt.
- * Pour arrêter l'outil en mode continu, appuyez de nouveau sur l'interrupteur marche/arrêt (3), puis relâchez-le.

Fonctionnement du laser (figure F - I)

(option non disponible sur la scie KS1000NL)

Installation des piles (figure B)

Dévissez la vis (15) et retirez le module laser (13) en tirant vers l'avant. Insérez dans le bon sens les deux nouvelles piles 1,5 V AAA. Refixez le module laser (13).

Ajustement du module laser de chaque côté (figure G)

Remarque : le laser facilite le travail de coupe mais ne garantit pas la précision.

Attention ! N'ajustez pas le module laser avec la scie sauteuse branchée.

- * Utilisez la vis de réglage sur le module laser (16) pour aligner la ligne laser avec la lame, si nécessaire.

Le laser sera moins visible en cas de surchauffe de la scie. Le laser peut être invisible si la scie est en surcharge pendant une période prolongée. Il réapparaît progressivement quand l'outil refroidit, même quand l'outil est débranché.

Attention ! Ne pas laisser un laser surchauffé en marche. Assurez-vous que l'interrupteur est en position OFF (arrêt) et retirez les piles pour ne plus alimenter le laser.

Fonctionnement du laser (figure H et I)

Le laser projette la ligne de coupe sur la surface de la pièce.

- * Pour mettre le laser en marche, appuyez sur le bouton (17).
- * Pour arrêter le laser, appuyez de nouveau sur le bouton (17).

En regardant directement au-dessus de la scie, il est facile de suivre la ligne de coupe. Si, pour une raison quelconque le rayon n'est pas visible, le laser peut être utilisé comme second guide de coupe.

- * Utilisez un crayon pour repérer la ligne de coupe.
- * Positionnez la scie sur la ligne.
- * Mettez en marche le laser.

Conseils pour une utilisation optimale

Coupe de contreplaqué

Comme la lame coupe en montant, des éclats peuvent se former sur la surface proche de la semelle.

- * Utilisez une lame à dents fines.
- * Sciez à partir de l'arrière de la pièce.
- * Pour limiter les éclats, serrez un morceau de bois ou de panneau dur des deux côtés de la pièce et sciez à travers cette épaisseur.

Coupe du métal

- * Scier du métal prend beaucoup plus de temps que de scier du bois.
- * Utilisez une lame adaptée à la coupe de métal.
- * Pour couper une fine épaisseur de métal, serrez une pièce de bois à l'arrière de la pièce à couper et sciez à travers l'épaisseur.
- * Répartissez un filet d'huile le long de la ligne de coupe.

Accessoires

La qualité de coupe de votre outil dépend des accessoires utilisés. Les accessoires Black & Decker et Piranha correspondent aux normes de qualité supérieure et sont conçus pour donner le meilleur résultat possible. En utilisant ces accessoires, votre outil vous donnera entière satisfaction.

Cet outil est compatible avec les lames à embout en U ou en T.

Entretien

Votre outil Black & Decker a été conçu pour fonctionner pendant longtemps avec un minimum d'entretien. Un fonctionnement continu satisfaisant dépend d'un nettoyage régulier et d'un entretien approprié de l'outil.

- * Nettoyez régulièrement les orifices de ventilation à l'aide d'une brosse sèche et propre.
- * Pour nettoyer l'outil, utilisez exclusivement du savon doux et un chiffon humide. Évitez toute pénétration de liquide dans l'outil et ne plongez aucune pièce dans du liquide.
- * Appliquez de temps en temps une goutte d'huile sur l'axe du rouleau de support de lame.

Protection de l'environnement



Si vous pensez un jour que votre outil doit être remplacé ou que vous n'en avez plus l'usage, songez à la protection de l'environnement. Les réparateurs agréés Black & Decker peuvent récupérer les anciens appareils Black & Decker et les mettre au rebut en conformité avec la protection de l'environnement.



La collecte séparée des produits et des emballages usagés permet de recycler et de réutiliser des matériaux. La réutilisation de matériaux recyclés évite la pollution de l'environnement et réduit la demande de matières premières.

Des réglementations locales peuvent stipuler la collecte séparée des produits électriques et des produits ménagers, dans des déchetteries municipales ou par le revendeur lorsque vous achetez un nouveau produit.

Black & Decker fournit un dispositif permettant de recycler les produits Black & Decker lorsqu'ils ont atteint la fin de leur cycle de vie. Pour pouvoir profiter de ce service, veuillez retourner votre produit à un réparateur agréé qui se chargera de le collecter pour nous.

Pour connaître l'adresse du réparateur agréé le plus proche de chez vous, contactez le bureau Black & Decker à l'adresse indiquée dans ce manuel. Vous pourrez aussi trouver une liste de réparateurs agréés de Black & Decker et de plus amples détails concernant notre service après-vente sur le site Internet : www.2helpU.com.



Quand les piles sont hors d'usage, jetez-les en conformité avec la protection de l'environnement. Retirez les piles, comme décrit ci-dessus.

- * Placez les piles dans un emballage approprié pour éviter un court-circuit.
- * Jetez les piles dans un centre de recyclage local.

Caractéristiques techniques**KS1000E/KS1000NL/KS1001E/KS1002E**

Puissance absorbée	W	710 W
Nombre de montée- descente de lame (sans charge)	Par minute	800-3200 par minute
Profondeur maximum de coupe		
Bois	mm	85 mm
Acier	mm	4 mm
Aluminium	mm	10 mm

Déclaration de conformité CE

KS1000E/KS1000NL/KS1001E/KS1002E

Black & Decker déclare que ces produits sont conformes à :
98/37/EC, 89/336/CEE, EN 60745, EN 55014, EN61000,

CEI 60825+A1+A2:2001

L_{pA} (niveau sonore) 88 dB(A),L_{WA} (puissance acoustique) 99 dB(A),vibration sur la main/bras <6,3 m/s²K_{pa} (incertitude du niveau sonore 3 dB(A),K_{wa} (incertitude de la puissance acoustique 3 dB(A),


Kevin Hewitt
Directeur Ingénierie Client
Spennymoor, County Durham
DL16 6JG,
Royaume-Uni
30-06-2006

Garantie

Black & Decker vous assure la qualité de ses produits et vous offre une garantie très étendue. Ce certificat de garantie est un document supplémentaire et ne peut en aucun cas se substituer à vos droits légaux. La garantie est valable sur tout le territoire des États Membres de l'Union Européenne et de la Zone de Libre Échange Européenne.

Si un produit Black & Decker s'avère défectueux en raison de matériaux en mauvais état, d'une erreur humaine, ou d'un manque de conformité dans les 24 mois suivant la date d'achat, Black & Decker garantit le remplacement des pièces défectueuses, la réparation des produits usés ou cassés ou remplace ces produits à la convenance du client, sauf dans les circonstances suivantes :

- * Le produit a été utilisé dans un but commercial, professionnel, ou a été loué.
- * Le produit a été mal utilisé ou avec négligence.
- * Le produit a subi des dommages à cause de corps étrangers, de substances ou d'accidents.

- * Des réparations ont été tentées par des techniciens ne faisant pas partie du service technique de Black & Decker.

Pour avoir recours à la garantie, il est nécessaire de fournir une preuve d'achat au vendeur ou à un réparateur agréé. Pour connaître l'adresse du réparateur agréé le plus proche de chez vous, contactez le bureau Black & Decker à l'adresse indiquée dans ce manuel. Vous pourrez aussi trouver une liste de réparateurs agréés de Black & Decker et de plus amples détails sur notre service après-vente sur le site Internet à l'adresse suivante :

www.2helpU.com

Visitez notre site Web **www.blackanddecker.fr** pour enregistrer votre nouveau produit Black & Decker et être informé des nouveaux produits et des offres spéciales. Pour plus d'informations concernant la marque Black & Decker et notre gamme de produits, consultez notre site

www.blackanddecker.fr.

Usò previsto

Il seghetto da traforo Black & Decker è stato progettato per segare legno, plastica e lamierati. L'elettrotensile è stato progettato solo per un uso individuale.

Norme generiche di sicurezza

Leggere tutte le istruzioni. La mancata osservanza delle presenti istruzioni potrebbe causare scosse elettriche, incendi e/o infortuni gravi. Il termine "elettrotensile" che ricorre in tutte le avvertenze seguenti si riferisce ad utensili elettrici con o senza filo.

CONSERVARE QUESTE ISTRUZIONI.

1. Area di lavoro

- a. **Mantenere pulita e bene illuminata l'area di lavoro.** Il disordine e la scarsa illuminazione possono causare incidenti.
- b. **Evitare d'impiegare gli elettrotensili in ambienti esposti al rischio di esplosione, ad esempio in presenza di liquidi, gas o polveri infiammabili.** Gli elettrotensili producono scintille che possono far incendiare la polvere o i fumi.
- c. **Mantenere lontani bambini e osservatori mentre si usa l'elettrotensile.** Eventuali distrazioni possono comportare la perdita del controllo dell'elettrotensile.

2. Sicurezza elettrica

- a. **La spina elettrica deve essere adatta alla presa. Evitare assolutamente di alterare la spina. Non impiegare spine adattatrici con elettrotensili provvisti di messa a terra.** L'uso di spine inalterate e delle prese corrispondenti riduce il rischio di scosse elettriche.
- b. **Evitare il contatto fisico con superfici collegate a terra, come tubi, radiatori, forni e frigoriferi:** un corpo collegato a terra è esposto maggiormente al rischio di scosse elettriche.
- c. **Custodire gli elettrotensili al riparo dalla pioggia o dall'umidità.** L'eventuale infiltrazione di acqua in un elettrotensile va ad aumentare il rischio di scosse elettriche.
- d. **Non esporre il cavo a sollecitazioni. Non usare il cavo per trasportare o trainare l'elettrotensile e non tirarlo per estrarre la spina dalla presa di corrente. Mantenere il cavo al riparo dal calore, da bordi taglienti e/o da parti in movimento.** I cavi danneggiati o aggrovigliati aumentano il rischio di scosse elettriche.
- e. **Se l'elettrotensile viene adoperato all'aperto, usare esclusivamente prolunghe omologate per l'impiego all'esterno.** Un cavo adatto per uso esterno riduce il rischio di scosse elettriche.

3. Sicurezza delle persone

- a. **È importante concentrarsi su ciò che si sta facendo e maneggiare con giudizio l'elettrotensile. Non adoperare l'elettrotensile se si è stanchi o sotto l'effetto di stupefacenti, alcol o farmaci.** Un attimo di distrazione può causare gravi infortuni personali.
 - b. **Indossare sempre un equipaggiamento protettivo. Indossare sempre degli occhiali di sicurezza.** Se si avrà cura d'indossare l'equipaggiamento protettivo come necessario - ad esempio una maschera antipolvere, delle calzature antiscivolo, un casco o delle otoprotezioni - si riduce il rischio di infortuni.
 - c. **Evitare l'accensione involontaria dell'elettrotensile. Prima d'inserire la spina nella presa, controllare che l'interruttore sia spento.** Per non esporsi al rischio d'incidenti, non trasportare gli elettrotensili tenendo il dito sull'interruttore oppure, se sono collegati all'alimentazione, con l'interruttore regolato su acceso.
 - d. **Prima di accendere un elettrotensile, togliere eventuali chiavi o attrezzi di regolazione.** Un utensile o una chiave inglese lasciati in un componente mobile dell'elettrotensile potranno causare lesioni.
 - e. **Non sporgersi. Mantenere sempre un buon equilibrio evitando posizioni malsicure.** In questo modo è possibile controllare meglio l'elettrotensile in situazioni inaspettate.
 - f. **Vestirsi adeguatamente. Evitare di indossare indumenti larghi o gioielli. Tenere capelli, vestiti e guanti lontani da pezzi in movimento.** Vestiti larghi, gioielli o capelli lunghi potranno impigliarsi nei componenti in movimento.
 - g. **Se gli utensili sono provvisti di attacchi per il collegamento di dispositivi di aspirazione o di raccolta della polvere, assicurarsi che questi siano installati e utilizzati correttamente.** L'impiego dei suddetti dispositivi diminuisce i rischi correlati alle polveri.
- ### 4. Uso e cura degli elettrotensili
- a. **Non sovraccaricare l'elettrotensile. Usare l'elettrotensile adatto per il lavoro da eseguire.** Utilizzando l'elettrotensile adatto si potrà lavorare meglio e con maggiore sicurezza alla potenza nominale prevista.
 - b. **Non utilizzare elettrotensili con interruttori difettosi.** Un elettrotensile che non può essere controllato mediante l'interruttore è pericoloso e deve essere riparato.
 - c. **Estrarre la spina dalla presa di corrente prima di regolare l'elettrotensile, di sostituire gli accessori o di riporre l'elettrotensile.** Queste precauzioni di sicurezza riducono la possibilità che l'elettrotensile venga messo in funzione inavvertitamente.

- d. **Quando non vengono usati, gli elettroutensili vanno custoditi fuori della portata dei bambini. Non consentire l'uso dell'elettroutensile a persone inesperte o che non abbiano letto le presenti istruzioni, onde evitare pericoli.**
- e. **Sottoporre gli elettroutensili alle procedure di manutenzione del caso. Verificare che le parti mobili siano bene allineate e non s'inceppino, che non ci siano componenti rotti e/o non sussistano altre condizioni che possano compromettere il funzionamento dell'elettroutensile. Eventuali guasti vanno riparati prima dell'uso.** La scarsa manutenzione causa molti incidenti.
- f. **Mantenere affilati e puliti gli strumenti da taglio.** Se sottoposti alla giusta manutenzione, gli strumenti da taglio con taglienti affilati s'inceppano meno frequentemente e sono più facili da manovrare.
- g. **Utilizzare l'elettroutensile, gli accessori, le punte ecc. in conformità delle presenti istruzioni e secondo la specifica destinazione prevista, tenendo conto delle condizioni di lavoro e del lavoro da completare.** L'impiego degli elettroutensili per usi diversi da quelli consentiti può dar luogo a situazioni pericolose.

5. Riparazioni

- a. **Fare riparare l'elettroutensile solo ed esclusivamente da personale specializzato e solo impiegando pezzi di ricambio originali,** onde non alterarne la sicurezza.

Sicurezza elettrica



Il doppio isolamento di cui è provvisto l'elettroutensile rende superfluo il filo di terra. Controllare sempre che l'alimentazione corrisponda alla tensione indicata sulla targhetta delle caratteristiche.

Istruzioni di sicurezza supplementari per le batterie non ricaricabili

- ◆ Non tentare di aprirle per qualsiasi ragione.
- ◆ Non riporre in luoghi dove la temperatura potrebbe superare i 40 °C.
- ◆ Quando si smaltiscono le batterie, seguire le istruzioni riportate al capitolo "Protezione dell'ambiente".

Non incenerire le batterie.

- ◆ In condizioni estreme, si potrebbe verificare la perdita di liquido dalle batterie. In tali circostanze, procedere come descritto di seguito:
 - Asportare il liquido usando un panno. Evitare il contatto con l'epidermide.

Ulteriori precauzioni di sicurezza per i laser



Leggere attentamente questo manuale nella sua totalità.



Il presente prodotto non deve essere usato da bambini di età inferiore ai 16 anni.



Radiazione laser.



Non guardare direttamente verso il raggio laser.



Non usare attrezzi ottici per osservare il raggio laser.

- ◆ Questo laser è conforme alla Categoria 2 della normativa IEC 60825+A1+A2:2001. Non sostituire un diodo laser con uno di tipo diverso. Se il laser è danneggiato, farlo riparare da un tecnico opportunamente autorizzato.
- ◆ Non usare il laser per scopi diversi dalla proiezione di linee laser.
- ◆ L'esposizione di un occhio a un raggio laser di Categoria 2 viene considerata sicura per un periodo massimo di 0,25 secondi. I riflessi delle palpebre forniscono di solito un'adeguata protezione. A distanze superiori al metro, il laser è conforme alla normativa della Categoria 1 ed è quindi completamente sicuro.
- ◆ Non guardare mai intenzionalmente verso il raggio laser.
- ◆ Non usare attrezzi ottici per osservare il raggio laser.
- ◆ Non approntare l'attrezzo in modo che il raggio laser possa incrociare altre persone all'altezza della testa.
- ◆ Non lasciare che i bambini si avvicinino al raggio laser.

Ulteriori precauzioni di sicurezza per i seghetti da traforo

Attenzione! Il contatto o l'inalazione della polvere generata dal taglio potrebbe nuocere alla salute dell'operatore e di eventuali astanti. Indossare una mascherina antipolvere specifica per polveri e fumi e controllare che anche le persone presenti o in arrivo nell'area di lavoro siano adeguatamente protette.

Caratteristiche

Questo elettroutensile presenta alcune o tutte le seguenti caratteristiche:

1. Manopola comando velocità variabile
2. Pulsante di bloccaggio
3. Interruttore di accensione
4. Impugnatura laterale
5. Vano per lame seghetto
6. Selettore modalità turbo
7. Pomello di bloccaggio piedino scorrimento lama
8. Piedino scorrimento lama
9. Adattatore estrazione polvere
10. Lama seghetto
11. Rullo di supporto lama seghetto
12. Leva di bloccaggio lama seghetto
13. Modulo laser (non fornito con il modello KS1000NL)

Assemblaggio

Attenzione! Prima di tentare una delle seguenti operazioni, verificare che l'elettroutensile sia spento e scollegato dalla presa elettrica e che la lama del seghetto sia fermata. Le lame del seghetto usate possono essere calde.

Montaggio della lama del seghetto (fig. A)

- ◆ Tenere la lama del seghetto (10) come illustrato con i denti rivolti in avanti.
- ◆ Premere la leva (12) verso il basso.
- ◆ Infilare completamente il gambo della lama del seghetto nel portalama (14).
- ◆ Rilasciare la leva (12).

Montaggio e rimozione dell'impugnatura laterale (fig. B)

- ◆ L'impugnatura laterale (4) può essere montata sia sul lato destro sia su quello sinistro dell'elettroutensile.
- ◆ Allineare e infilare l'impugnatura laterale (4) nella rispettiva sede sull'elettroutensile e ruotarla quindi verso il retro fino a quando si aggancia.
- ◆ Per smontarla, ruotarla verso la parte anteriore sino a quando si ferma e quindi estrarla dalla sede.

Collegare un aspirapolvere all'elettroutensile (figg. C e D)

- ◆ Attaccare l'adattatore di estrazione della polvere (9) al piedino scorrimento lama (8) come illustrato.
- ◆ Collegare il tubo dell'aspirapolvere (non fornito) all'adattatore.

Utilizzo

Attenzione! Non usare mai l'elettroutensile quando il piedino scorrimento lama è allentato o è stato smontato.

Regolazione del piedino scorrimento lama per eseguire dei tagli a unghia (fig. E)

Il piedino scorrimento lama può essere regolato per il taglio a unghia verso destra o verso sinistra fino a un massimo di 45°.

- ◆ Ruotare in senso antiorario il pomello di bloccaggio (7) per rilasciare il piedino scorrimento lama (8).
- ◆ Tirare indietro il piedino scorrimento lama (8) e regolarlo in base all'angolo richiesto. Si può usare un goniometro per controllare l'angolo.
- ◆ Ruotare il pomello di bloccaggio (7) in senso orario per bloccare in sede il piedino scorrimento lama.

Regolazione del piedino scorrimento lama per i tagli diritti:

- ◆ Ruotare in senso antiorario il pomello di bloccaggio (7) per rilasciare il piedino scorrimento lama (8).
- ◆ Tarare il piedino scorrimento lama (8) ad un angolo di 0° circa e quindi spingerlo in avanti.
- ◆ Ruotare il pomello di bloccaggio (7) in senso orario per bloccare in sede il piedino scorrimento lama. Accertarsi che il piedino scorrimento lama sia sorretto dalle nervature della guida.

Comando velocità variabile

- ◆ Regolare la manopola comando velocità variabile (1) sulla velocità richiesta. Usare una velocità alta per il legno, media per l'alluminio e il PVC e bassa per i metalli ad eccezione dell'alluminio.

Selettore modalità turbo

- ◆ Per eseguire con precisione tagli diritti e curvi e ottenere una finitura liscia, regolare il selettore modalità turbo (6) su 0.
- ◆ Per ottenere dei tagli rapidi e veloci sul legno, regolare il selettore modalità turbo (6) su 2.

Accensione e spegnimento.

- ◆ Per accendere l'elettroutensile, premere l'interruttore di accensione (3).
- ◆ Per spegnere l'elettroutensile, rilasciare l'interruttore di accensione (3).
- ◆ Per il funzionamento continuato, premere il pulsante di bloccaggio (2) e rilasciare l'interruttore di accensione.
- ◆ Per spegnere l'interruttore durante il funzionamento continuo, premere di nuovo l'interruttore di accensione (3) e rilasciarlo.

Funzionamento del laser (figg. F - I)

(Non fornito con il modello KS1000NL)

Inserimento delle batterie (fig. F)

Staccare il modulo laser (13) dal seghetto da traforo svitando la vite (15) e tirando in avanti il modulo del laser. Inserire due

nuove batterie alcaline AAA da 1,5 V accertandosi di abbinare correttamente i poli (+) e (-). Ricollegare il modulo laser (13).

Regolazione laterale del laser (fig. G)

Nota: Il laser funge da guida per il taglio e non garantisce un taglio preciso.

Attenzione! Non regolare il laser con il seghetto da traforo collegato alla presa elettrica.

- ◆ Allineare la linea proiettata dal laser alla lama del seghetto, se necessario, per mezzo della vite di regolazione del laser (16).

La visibilità (intensità) del laser si riduce se il seghetto si surriscalda. Il laser potrebbe non essere visibile quando il seghetto viene sovraccaricato per un periodo di tempo lungo. La visibilità del laser si ripristina poco a poco al valore normale quando l'elettrotensile si raffredda perfino se è scollegato dalla presa elettrica.

Attenzione! Non lasciare acceso un laser surriscaldato. Accertarsi che l'interruttore sia regolato su spento ed estrarre le batterie per interrompere l'alimentazione del laser.

Utilizzo del laser (figg. H e I)

Il laser proietta la traccia del taglio sulla superficie del pezzo in lavorazione.

- ◆ Per accendere il laser, premere il pulsante (17).
- ◆ Per spegnere il laser, premere di nuovo il pulsante (17).

Guardando direttamente da sopra al seghetto da traforo, è possibile seguire facilmente la linea del taglio. Se per qualsiasi ragione ciò non fosse possibile, il laser può essere usato in alternativa come guida per il taglio.

- ◆ Usare una matita per marcare la traccia del taglio.
- ◆ Posizionare il seghetto da traforo sopra a tale traccia.
- ◆ Accendere il laser.

Consigli per un ottimo utilizzo

Segatura dei laminati

Dato che la lama taglia sulla corsa verso l'alto, si potrebbe verificare la scheggiatura della superficie più vicina al piedino scorrimento lama.

- ◆ Usare una lama da seghetto con denti sottili.
- ◆ Segare dalla parte posteriore del pezzo da lavorare.
- ◆ Per contenere al massimo la scheggiatura, fissare con un morsetto un pezzo di legno o di cartone da ambo i lati del pezzo da lavorare e segare i tre strati insieme.

Segatura del metallo

- ◆ Tenere presente che la segatura del metallo richiede molto più tempo di quella del legno.
- ◆ Usare una lama da seghetto idonea alla segatura del metallo.

- ◆ Quando si taglia un foglio di lamiera sottile, fissare con dei morsetti un pezzo di legno sulla superficie posteriore del pezzo da lavorare e tagliare i due strati insieme.
- ◆ Spalmare un velo d'olio lungo la traccia del taglio.

Accessori

Le prestazioni dell'elettrotensile dipendono dall'accessorio usato. Gli accessori Black & Decker e Piranha sono stati fabbricati in base a standard qualitativi elevati e sono stati progettati per ottenere le migliori prestazioni dall'elettrotensile. Usando questi accessori, otterrete il meglio dall'elettrotensile.

Questo elettrotensile può essere utilizzato con lame da seghetto con gambo a "U" o a "T".

Manutenzione

Questo elettrotensile Black & Decker è stato progettato per funzionare a lungo con un minimo di manutenzione. Per ottenere prestazioni sempre soddisfacenti occorre avere cura dell'elettrotensile e sottoporlo a manutenzione periodica.

- ◆ Pulire regolarmente le feritoie di ventilazione con un pennello pulito e asciutto.
- ◆ Per pulire l'elettrotensile, utilizzare solamente sapone delicato e un panno umido. Evitare la penetrazione di liquidi all'interno dell'elettrotensile e non immergere mai nessuna parte dello stesso in un liquido.
- ◆ Versare di tanto in tanto una goccia d'olio sull'asse del rullo di supporto della lama.

Protezione dell'ambiente



Nel caso in cui l'elettrotensile non sia più necessario, è possibile restituirlo ai tecnici Black & Decker che provvederanno a smaltirlo in modo sicuro per l'ambiente.



La raccolta differenziata dei prodotti e degli imballaggi utilizzati consente il riciclaggio dei materiali e il loro continuo utilizzo. Il riutilizzo dei materiali riciclati favorisce la protezione dell'ambiente prevenendo l'inquinamento e riduce il fabbisogno di materie prime.

Seguire la regolamentazione locale per la raccolta differenziata dei prodotti elettrici che può prevedere punti di raccolta o la consegna dell'elettrodomestico al rivenditore presso il quale viene acquistato un nuovo prodotto.

Black & Decker offre ai suoi clienti la possibilità di riciclare i prodotti Black & Decker che hanno esaurito la loro vita di servizio. Per usufruire di tale servizio, è sufficiente restituire il prodotto a qualsiasi tecnico autorizzato, incaricato della raccolta per conto dell'azienda.

Per individuare il tecnico autorizzato più vicino, rivolgersi alla sede Black & Decker locale, presso il recapito indicato nel presente manuale. In alternativa, un elenco completo di tutti i tecnici autorizzati Black & Decker e i dettagli completi sui contatti e i servizi post-vendita sono disponibili su Internet presso: www.2helpU.com.



Una volta esaurite le batterie, smaltirle batterie in conformità alle norme ambientali. Estrarre le batterie come descritto in precedenza.

- ◆ Imballare le batterie in modo idoneo per evitare che i terminali possano essere cortocircuitati.
- ◆ Consegnarle al centro di riciclaggio di zona.

Dati tecnici

KS1000E/KS1000NL/KS1001E/KS1002E	
Potenza assorbita	W 710
Numero di corse (a vuoto)	min-1 800-3.200
Profondità max. del taglio	
Legno	mm 85
Acciaio	mm 4
Alluminio	mm 10

Dichiarazione CE di conformità

KS1000E/KS1000NL/KS1001E/KS1002E

Black & Decker dichiara che i presenti prodotti sono conformi alle normative:

98/37/EC, 89/336/EEC, EN 60745, EN 55014, EN61000,
IEC 60825+A1+A2:2001

L_{pA} (pressione sonora) 88 dB(A),

L_{WA} (potenza acustica) 99 dB(A),

vibrazione misurata su braccio/mano $<6,3 \text{ m/s}^2$

K_{pa} (incertezza sulla pressione sonora 3 dB(A),

K_{wa} (incertezza sulla potenza acustica 3 dB(A),

Kevin Hewitt
Direttore tecnico prodotti di
consumo
Spennymoor, County Durham
DL16 6JG,
Regno Unito
30-06-2006

Se un prodotto Black & Decker risulta difettoso per qualità del materiale, della costruzione o per mancata conformità entro 24 mesi dalla data di acquisto, Black & Decker garantisce la sostituzione delle parti difettose, provvede alla riparazione dei prodotti se ragionevolmente usurati oppure alla loro sostituzione, in modo da ridurre al minimo il disagio del cliente a meno che:

- ◆ Il prodotto non sia stato destinato ad usi commerciali, professionali o al noleggio;
- ◆ Il prodotto non sia stato usato in modo improprio o scorretto;
- ◆ Il prodotto non abbia subito danni causati da oggetti o sostanze estranee oppure incidenti;
- ◆ Il prodotto non abbia subito tentativi di riparazione non effettuati da tecnici autorizzati né dall'assistenza Black & Decker.

Per attivare la garanzia è necessario esibire la prova comprovante l'acquisto al venditore o al tecnico autorizzato. Per individuare il tecnico autorizzato più vicino, rivolgersi alla sede Black & Decker locale, presso il recapito indicato nel presente manuale. Altrimenti un elenco completo di tutti i tecnici autorizzati Black & Decker e i dettagli completi sui contatti e i servizi post-vendita sono disponibili su Internet presso:

www.2helpU.com

I clienti che desiderano registrare il nuovo prodotto Black & Decker e ricevere gli aggiornamenti sui nuovi prodotti e le offerte speciali, sono invitati a visitare il sito Web (www.blackanddecker.it). Ulteriori informazioni sul marchio e la gamma di prodotti Black & Decker sono disponibili all'indirizzo www.blackanddecker.it.

Garanzia

Certa della qualità dei suoi prodotti, Black & Decker offre una garanzia eccezionale. Il presente certificato di garanzia è complementare ai diritti legali e non li pregiudica in alcun modo. La garanzia è valida entro il territorio degli Stati membri dell'Unione Europea e dell'EFTA (European Free Trade Area).

Uso previsto

La sierra de calar de Black & Decker se ha diseñado para serrar madera, plástico y planchas de metal. Esta herramienta está pensada únicamente para un uso doméstico.

Normas de seguridad generales

Lea íntegramente estas instrucciones. Las consecuencias de no atenerse a las instrucciones de seguridad siguientes, pueden ser una descarga eléctrica, incendio o lesión grave. El término "herramienta eléctrica" empleado en las advertencias indicadas a continuación se refiere a la herramienta eléctrica con alimentación de red (con cable) o alimentada por batería (sin cable).

GUARDE ESTAS INSTRUCCIONES EN UN LUGAR SEGURO.

1. Área de trabajo

- a. **Mantenga limpia y bien iluminada el área de trabajo.** El desorden y una iluminación deficiente en las áreas de trabajo pueden provocar accidentes.
- b. **No utilice la herramienta eléctrica en un entorno con peligro de explosión, en el que se encuentren combustibles líquidos, gases o material en polvo.** Las herramientas eléctricas producen chispas que pueden llegar a incendiar los materiales en polvo o vapores.
- c. **Mantenga alejados a los niños y otras personas del área de trabajo al emplear la herramienta eléctrica.** Una distracción le puede hacer perder el control sobre la herramienta.

2. Seguridad eléctrica

- a. **El enchufe de la herramienta eléctrica debe corresponder a la toma de corriente utilizada. No es admisible modificar el enchufe en forma alguna. No emplee adaptadores en herramientas eléctricas dotadas con toma de tierra.** Los enchufes sin modificar adecuados a las respectivas tomas de corriente reducen el riesgo de una descarga eléctrica.
- b. **Evite que su cuerpo toque partes conectadas a tierra como tuberías, radiadores, cocinas y refrigeradores.** El riesgo a quedar expuesto a una sacudida eléctrica es mayor si su cuerpo tiene contacto con tierra.
- c. **No exponga las herramientas eléctricas a la lluvia y evite que penetren líquidos en su interior.** Existe el peligro de recibir una descarga eléctrica si penetran ciertos líquidos en la herramienta eléctrica.
- d. **Cuide el cable de alimentación. No utilice el cable de red para transportar o colgar la herramienta eléctrica, ni tire de él para sacar el enchufe de la toma de corriente. Mantenga el cable de red alejado del calor, aceite, bordes afilados o piezas móviles.** Los cables de red dañados o enredados pueden provocar una descarga eléctrica.

- e. **Al trabajar con la herramienta eléctrica a la intemperie utilice solamente cables de prolongación homologados para su uso en exteriores.** La utilización de un cable de prolongación adecuado para su uso en exteriores reduce el riesgo de una descarga eléctrica.

3. Seguridad personal

- a. **Esté atento a lo que hace y emplee la herramienta eléctrica con prudencia. No utilice la herramienta eléctrica si estuviese cansado, ni tampoco después de haber consumido alcohol, drogas o medicamentos.** El no estar atento durante el uso de una herramienta eléctrica puede provocarle serias lesiones.
 - b. **Utilice un equipo de protección adecuado y nunca trabaje sin gafas de protección.** El riesgo a lesionarse se reduce considerablemente si, dependiendo del tipo y la aplicación de la herramienta eléctrica empleada, se utiliza un equipo de protección adecuado como una mascarilla antipolvo, zapatos de seguridad con suela antideslizante, casco o protectores auditivos.
 - c. **Evite una puesta en marcha accidental de la herramienta. Compruebe que el interruptor se encuentra en la posición de apagado antes de enchufar la herramienta.** Transportar la herramienta eléctrica con el dedo sobre el interruptor o enchufarla con el interruptor encendido puede provocar accidentes.
 - d. **Retire las herramientas de ajuste o llaves fijas antes de conectar la herramienta eléctrica.** Una herramienta o llave colocada en una pieza giratoria de la herramienta eléctrica puede producir lesiones al ponerse a funcionar.
 - e. **Sea precavido. Mantenga un apoyo firme sobre el suelo y conserve el equilibrio en todo momento.** Ello le permitirá controlar mejor la herramienta eléctrica en caso de presentarse una situación inesperada.
 - f. **Lleve puesta una vestimenta de trabajo adecuada. No lleve vestidos anchos ni joyas. Mantenga su pelo, vestimenta y guantes alejados de las piezas móviles.** La vestimenta suelta, las joyas y el pelo largo se pueden enganchar con las piezas en movimiento.
 - g. **Siempre que sea posible utilizar equipos de aspiración o captación de polvo, asegúrese de que éstos estén montados y se utilicen correctamente.** El empleo de estos equipos reduce los riesgos derivados del polvo.
- ### 4. Uso y cuidado de herramientas eléctricas
- a. **No sobrecargue la herramienta eléctrica. Use la herramienta eléctrica prevista para el trabajo a realizar.** Con la herramienta eléctrica adecuada podrá trabajar mejor y más seguro dentro del margen de potencia indicado.

- b. No utilice herramientas eléctricas con un interruptor defectuoso.** Las herramientas eléctricas que no se puedan conectar o desconectar son peligrosas y deben hacerse reparar.
- c. Desconecte el enchufe de la red antes de realizar un ajuste en la herramienta eléctrica, cambiar de accesorio o al guardar la herramienta.** Esta medida preventiva reduce el riesgo de conectar accidentalmente la herramienta eléctrica.
- d. Guarde las herramientas eléctricas fuera del alcance de los niños y de las personas que no estén familiarizadas con su uso.** Las herramientas eléctricas utilizadas por personas inexpertas son peligrosas
- e. Cuides sus herramientas eléctricas con esmero. Controle si funcionan correctamente, sin atascarse, las partes móviles de la herramienta eléctrica, y si existen partes rotas o deterioradas que pudieran afectar al funcionamiento de la herramienta. Si la herramienta eléctrica estuviese defectuosa haga que la reparen antes de volver a utilizarla.** Muchos de los accidentes se deben a herramientas eléctricas con un mantenimiento deficiente.
- f. Mantenga las herramientas de corte limpias y afiladas.** Las herramientas de corte mantenidas correctamente son más fáciles de guiar y controlar.
- g. Utilice la herramienta eléctrica, los accesorios y demás útiles de herramienta de acuerdo con estas instrucciones y en la manera indicada específicamente para esta herramienta eléctrica. Tenga en cuenta las condiciones de trabajo y la tarea a realizar.** El uso de herramientas eléctricas para trabajos diferentes de aquellos para los que han sido concebidas puede resultar peligroso.

5. Servicio técnico

- a. Haga reparar su herramienta eléctrica sólo por personal técnico autorizado que emplee exclusivamente piezas de repuesto originales.** Solamente así se garantiza la seguridad de la herramienta eléctrica.

Seguridad eléctrica



La herramienta lleva un doble aislamiento; por lo tanto no requiere de una toma a tierra. Compruebe siempre que la tensión de la red corresponda con el valor indicado en la placa de datos de la herramienta.

Instrucciones de seguridad adicionales sobre pilas no recargables

- ◆ No intente abrirlas bajo ningún concepto.

- ◆ No las almacene en lugares en los que la temperatura pueda superar los 40 °C.
- ◆ Cuando vaya a desechar las pilas, siga las instrucciones facilitadas en la sección "Protección del medio ambiente".

No arroje las pilas al fuego.

- ◆ Es posible que se produzcan fugas en las pilas en condiciones extremas. Si observa líquido en las pilas, siga el procedimiento indicado a continuación:
 - Limpie cuidadosamente el líquido con un paño. Evite el contacto con la piel.

Instrucciones de seguridad adicionales para aparatos con láser



Lea este manual con atención.



Los menores de 16 años no deben utilizar este producto.



Radiación del láser.



No mire directamente el rayo láser.



No utilice herramientas ópticas para mirar el rayo láser.

- ◆ El láser cumple con la clase 2 de acuerdo con las normas IEC 60825+A1+A2:2001/IEC 60825+A1+A2:2001. No sustituya el diodo láser con otro de diferente tipo. Si se daña el láser, solicite la reparación del mismo al servicio técnico autorizado.
- ◆ No utilice el láser para un fin diferente a proyectar líneas.
- ◆ Una exposición a un láser de clase 2 inferior a 0,25 segundos se considera que no tiene riesgos. Como norma general, el acto reflejo natural al parpadear proporcionará la protección adecuada. A distancias mayores de 1m, el láser cumple con la clase 1 y, por tanto, se considera totalmente seguro.
- ◆ Nunca mire directa e intencionadamente el rayo láser.
- ◆ No utilice herramientas ópticas para mirar el rayo láser.
- ◆ No coloque la herramienta en un lugar en el que el rayo láser pueda incidir en una persona a la altura de la cabeza.
- ◆ No permita que los niños se acerquen al láser.

Instrucciones de seguridad adicionales para las sierras de calar

¡Atención! El contacto o inhalación del polvo procedente de la sierra puede poner en peligro la salud del usuario y de cualquier otra persona que se encuentre alrededor. Utilice una mascarilla diseñada específicamente para proteger contra el polvo y los vapores, y asegúrese de que las demás personas que se encuentren dentro, o vaya a entrar en el área de trabajo, también estén protegidas.

Características

Esta herramienta incluye una o más de las siguientes características:

1. Selector de control de velocidad variable
2. Botón de bloqueo
3. Conmutador ON/OFF (encendido/apagado)
4. Empuñadura lateral
5. Compartimento para guardar la hoja de sierra
6. Selector de turbo
7. Bloqueo de la base
8. Base
9. Adaptador de extracción de polvo
10. Hoja de sierra
11. Rodillo de apoyo para la hoja de sierra
12. Palanca de bloqueo de la hoja
13. Módulo láser (no suministrado con el modelo KS1000NL)

Montaje

¡Atención! Antes de llevar a cabo cualquiera de las siguientes operaciones, asegúrese de que la herramienta está desconectada, desenchufada y que la hoja se ha detenido. Después de utilizar la hoja, ésta puede estar caliente.

Colocación de la hoja (figura A)

- ◆ Coloque la hoja (10) como se muestra en la ilustración, con los dientes hacia delante.
- ◆ Empuje la palanca (12) hacia abajo.
- ◆ Introduzca el vástago de la hoja en el soporte (14) hasta que encaje.
- ◆ Suelte la palanca (12).

Montaje y desmontaje de la empuñadura lateral (figura B)

- ◆ La empuñadura lateral (4) puede colocarse tanto a la izquierda como a la derecha de la herramienta.
- ◆ Alinee e introduzca la empuñadura lateral (4) en el lugar adecuado de la herramienta y, a continuación, gírela hacia atrás hasta que encaje en su sitio.
- ◆ Para extraerla, gírela hacia delante hasta que no se pueda más y, a continuación sáquela de su lugar.

Conexión de una aspiradora a la herramienta (figuras C y D)

- ◆ Coloque el adaptador de extracción de polvo (9) en la base (8) como muestra la ilustración.
- ◆ Conecte la manguera de la aspiradora (no suministrada) al adaptador.

Uso

¡Atención! Nunca utilice la herramienta sin la base montada y correctamente apretada.

Ajuste de la base para cortes biselados (figura E)

Es posible ajustar la base a un ángulo en bisel izquierdo o derecho de hasta 45°.

- ◆ Gire el bloqueo de la base (7) en el sentido contrario a las agujas del reloj para soltarla.
- ◆ Empuje la base (8) hacia atrás y ajústela al ángulo deseado. Puede utilizar un transportador para comprobar el ángulo.
- ◆ Gire el bloqueo (7) en el sentido de las agujas del reloj para volver a bloquear la base.

Para reajustar la base para cortes rectos:

- ◆ Gire el bloqueo (7) en el sentido contrario a las agujas del reloj para soltar la base.
- ◆ Ajuste la base (8) a un ángulo aproximado de 0° y, a continuación, empújela hacia delante.
- ◆ Gire el bloqueo (7) en el sentido de las agujas del reloj para bloquear la base. Asegúrese de que la base queda alineada con las varillas de guía.

Control de la velocidad variable

- ◆ Ajuste el selector de control de la velocidad variable (1) en la velocidad adecuada. Utilice la velocidad alta para madera, la media para aluminio y PVC y la baja para metales diferentes al aluminio.

Selector de turbo

- ◆ Para conseguir cortes rectos más precisos y curvilíneos, así como un buen acabado en la superficie de corte ajuste el selector de turbo (6) en la posición 0.
- ◆ Para cortes rectos rápidos y apurados en madera, ajuste el selector de turbo (6) en la posición 2.

Encendido y apagado

- ◆ Para encender la herramienta, pulse el botón de encendido/apagado (3).
- ◆ Para apagar la herramienta, pulse el botón de encendido/apagado (3).
- ◆ Para un funcionamiento continuo, pulse el botón de bloqueo (2) y suelte el botón de encendido/apagado (3).
- ◆ Para apagar la herramienta mientras esté activado el funcionamiento continuo, pulse el botón de encendido/apagado (3) una vez más y suéltelo.

Utilización del láser (figura F – I)

(no suministrado con el modelo KS1000NL)

Instalación de las pilas (Fig. F)

Separe el módulo de láser (13) de la sierra de calar extrayendo el tornillo (15) y tirando del módulo de láser hacia delante. Introduzca dos pilas alcalinas AAA de 1,5 Voltios nuevas, asegurándose de que hace coincidir los terminales positivo (+) y negativo (-) correctamente. Vuelva a colocar el módulo de láser (13)

Ajuste lateral del láser (figura G)

Nota: El láser se considera como una guía para el corte y no garantiza un corte con precisión.

¡Atención! No ajuste el láser con la sierra enchufada.

- ◆ Si fuera necesario, utilice los tornillos de ajuste del láser (16) para alinear la línea del láser con la hoja.

La visibilidad del láser (brillo) se reducirá si la sierra se recalienta. Es posible que el láser no sea visible si la sierra se utiliza continuamente durante un periodo de tiempo prolongado. El brillo del láser volverá gradualmente cuando la herramienta se enfríe aunque esté desenchufada.

¡Atención! No deje encendido el láser recalentado. Asegúrese de que el interruptor se encuentra en la posición OFF y extraiga las pilas para cortar la alimentación del láser.

Utilización del láser (figura H y I)

El láser proyecta la línea de corte en la superficie de la pieza de trabajo.

- ◆ Para encender el láser, pulse el botón (17).
- ◆ Para apagar el láser, pulse el botón (17) de nuevo.

Si mira directamente por encima de la sierra, la línea de corte se puede seguir fácilmente. En el caso de que la visibilidad esté obstruida por el motivo que sea, el láser se puede utilizar como una guía de corte alternativa.

- ◆ Utilice un lápiz para marcar la línea de corte.
- ◆ Coloque la sierra encima de la línea.
- ◆ Encienda el láser.

Consejos para un uso óptimo

Serrado de material laminado

Debido a que la hoja efectúa el corte durante el movimiento hacia arriba, es posible que la superficie en contacto con la base se pueda astillar.

- ◆ Utilice una hoja de sierra con dientes pequeños.
- ◆ Sierre por la parte trasera de la pieza de trabajo.
- ◆ Para minimizar el astillado de la superficie, sujete una plancha de madera o metal a ambos lados de la pieza de trabajo y sierre el conjunto.

Serrado de metal

- ◆ Tenga en cuenta que serrar metal lleva mucho más tiempo que serrar madera.
- ◆ Utilice una hoja apropiada para serrar metal.
- ◆ Cuando corte una plancha de metal delgada, sujete un tablero o trozo de madera en la parte trasera de la pieza de trabajo y corte el conjunto.
- ◆ Extienda una película de aceite a lo largo de la línea que va a cortar.

Accesorios

El adecuado funcionamiento de la herramienta depende de los accesorios que utilice. Los accesorios Piranha y Black & Decker se han fabricado siguiendo estándares de alta calidad y se han diseñado para mejorar el funcionamiento de la herramienta. Al utilizar estos accesorios, conseguirá el máximo rendimiento de la herramienta.

Esta herramienta es apropiada tanto para hojas de sierra con vástago de una sola leva como universales.

Mantenimiento

La herramienta de Black & Decker ha sido diseñada para que funcione durante un largo período de tiempo con un mantenimiento mínimo. El funcionamiento satisfactorio continuado depende de un cuidado apropiado y una limpieza periódica de la herramienta.

- ◆ Limpie periódicamente las ranuras de ventilación con un cepillo limpio y seco.
- ◆ Para limpiar la herramienta, utilice únicamente jabón suave y un paño húmedo. Evite que penetre líquido en el interior de la herramienta y nunca sumerja ninguna parte de la misma en líquido.
- ◆ De vez en cuando, ponga un poco de aceite en el eje principal del rodillo de apoyo de la hoja.

Protección del medio ambiente



Si llegase el momento en que fuese necesario sustituir la herramienta o si ésta dejase de tener utilidad, debe tener en cuenta la protección del medio ambiente. El servicio técnico autorizado de Black & Decker aceptará herramientas Black & Decker ya usadas y se asegurará de desprenderse de ellas de modo que no se perjudique el medio ambiente.



La recogida selectiva de productos y embalajes usados permite el reciclaje de materiales y su reutilización. La reutilización de materiales reciclados contribuye a evitar la contaminación medioambiental y reduce la demanda de materias primas.

Las normativas municipales pueden indicar la recogida selectiva de productos eléctricos del hogar en puntos municipales previstos para ello o a través del distribuidor en el caso en que se adquiera un nuevo producto.

Black & Decker proporciona facilidades para la recogida y reciclado de los productos Black & Decker que hayan llegado al final de su vida útil. Para poder utilizar este servicio, le rogamos entregue el producto a cualquier servicio técnico autorizado que se hará cargo del mismo en nuestro nombre.

Para consultar la dirección del servicio técnico más cercano póngase en contacto con la oficina local de Black & Decker en la dirección que se indica en este manual. Como alternativa, se puede consultar en Internet, en la dirección siguiente, la lista de servicios técnicos autorizados e información completa sobre nuestros servicios de postventa y contactos: www.2helpU.com.



Al final de su vida útil, deseche las pilas respetando el medio ambiente. Extráigaslas como se ha descrito anteriormente.

- ◆ Coloque las pilas en un embalaje adecuado de modo que los terminales no entren en contacto y provoquen un cortocircuito.
- ◆ Lleve las pilas a un punto de reciclaje conveniente.

Características técnicas

Modelos KS1000E/KS1000NL/KS1001E/KS1002E

Potencia absorbida	W	710
Núm. carreras (sin carga)	min-1	800-3,200
Profundidad máxima de corte		
Madera	mm	85
Acero	mm	4
Aluminio	mm	10

Declaración de conformidad CE

Modelos KS1000E/KS1000NL/KS1001E/KS1002E

Black & Decker declara que estos productos cumplen las normas siguientes:

98/37/EC, 89/336/EEC, EN 60745, EN 55014, EN61000, IEC 60825+A1+A2:2001

L_{pA} (presión acústica) 88 dB(A),

L_{WA} (potencia acústica) 99 dB(A),

vibraciones soportadas en mano/brazo $6,3 \text{ m/s}^2$

K_{pa} (incertidumbre de presión acústica) 3 dB(A),

K_{pa} (incertidumbre de alimentación acústica) 3 dB(A),

Kevin Hewitt
 Director de Ingeniería del
 Consumidor
 Spennymoor, County Durham
 DL16 6JG,
 Reino Unido
 30-06-2006

Garantía

Black & Decker confía plenamente en la calidad de sus productos y ofrece una garantía extraordinaria. Esta declaración de garantía es un añadido, y en ningún caso un perjuicio para sus derechos estatutarios. La garantía es válida dentro de los territorios de los Estados miembros de la Unión Europea y de los de la Zona Europea de Libre Comercio.

Si cualquier producto de Black & Decker resultara defectuoso debido a materiales o mano de obra defectuosos o a la falta de conformidad, Black & Decker garantiza, dentro de los 24 meses posteriores a la fecha de compra, la sustitución de las piezas defectuosas, la reparación de los productos sujetos a un desgaste y rotura razonables o la sustitución de tales productos para garantizar al cliente el mínimo de inconvenientes, a menos que:

- ◆ El producto se haya utilizado con propósitos comerciales, profesionales o de alquiler.
- ◆ El producto se haya sometido a un uso inadecuado o negligente.
- ◆ El producto haya sufrido daños causados por objetos o sustancias extrañas o accidentes.
- ◆ Se hayan realizado reparaciones por parte de personas que no sean del servicio técnico autorizado o personal de servicios de Black & Decker.

Para reclamar en garantía, será necesario que presente la prueba de compra al vendedor o al servicio técnico de reparaciones autorizado. Para consultar la dirección del servicio técnico más cercano póngase en contacto con la oficina local de Black & Decker en la dirección que se indica en este manual. Como alternativa, se puede consultar en Internet, en la dirección siguiente, la lista de servicios técnicos autorizados e información completa sobre nuestros servicios de postventa y contactos:

www.2helpU.com

Visite el sitio web www.blackanddecker.es para registrar su nuevo producto Black & Decker y estar al día sobre productos y ofertas especiales. Encontrará información adicional sobre la marca Black & Decker y nuestra gama de productos en www.blackanddecker.es.

Beoogd gebruik

Uw Black & Decker decoupeerzaag is ontworpen voor het zagen van hout, kunststof en metaalplaat. Dit gereedschap is uitsluitend bestemd voor consumentengebruik.

Algemene veiligheidsvoorschriften

Lees alle voorschriften. Wanneer de volgende voorschriften niet in acht worden genomen, kan dit een elektrische schok, brand en/of ernstig letsel tot gevolg hebben. Het hierna gebruikte begrip 'elektrisch gereedschap' heeft betrekking op elektrische gereedschappen voor gebruik op de netspanning (met netsnoer) of op een accu (snoerloos).

BEWAAR DEZE VOORSCHRIFTEN GOED.

1. Werkomgeving

- a. **Houd uw werkomgeving schoon en opgeruimd.** Een rommelige of onverlichte werkomgeving kan tot ongevallen leiden.
- b. **Gebruik elektrisch gereedschap niet in een omgeving met explosiegevaar, zoals in de nabijheid van brandbare vloeistoffen, gassen of stof.** Elektrisch gereedschap veroorzaakt vonken die het stof of de dampen tot ontsteking kunnen brengen.
- c. **Houd kinderen en andere personen tijdens het gebruik van elektrisch gereedschap uit de buurt.** Wanneer u wordt afgeleid, kunt u de controle over het gereedschap verliezen.

2. Elektrische veiligheid

- a. **De netstekker van het gereedschap moet in het stopcontact passen. De stekker mag in geen geval worden veranderd. Gebruik geen adapterstekkers in combinatie met geaarde gereedschappen.** Onveranderde stekkers en passende stopcontacten beperken het risico van een elektrische schok.
- b. **Voorkom aanraking van het lichaam met geaarde oppervlakken, bijvoorbeeld buizen, verwarmingen, fornuizen en koelkasten.** Er bestaat een verhoogd risico op een elektrische schok wanneer uw lichaam geaard is.
- c. **Houd het gereedschap uit de buurt van regen en vocht.** Het binnendringen van water in het elektrische gereedschap vergroot het risico van een elektrische schok.
- d. **Gebruik het snoer niet voor een verkeerd doel. Gebruik het snoer niet om het gereedschap te dragen of op te hangen of om de stekker uit het stopcontact te trekken. Houd het snoer uit de buurt van hitte, olie, scherpe randen of bewegende delen.** Beschadigde of in de war geraakte snoeren vergroten het risico van een elektrische schok.

- e. **Wanneer u buitenshuis met elektrisch gereedschap werkt, dient u alleen verlengsnoeren te gebruiken die zijn goedgekeurd voor gebruik buitenshuis.** Het gebruik van een verlengsnoer dat geschikt is voor gebruik buitenshuis beperkt het risico van een elektrische schok.

3. Veiligheid van personen

- a. **Wees alert, let goed op wat u doet en ga verstandig te werk bij het gebruik van elektrisch gereedschap. Gebruik elektrisch gereedschap niet wanneer u moebent of onder invloed van drugs, alcohol of medicijnen.** Een moment van onoplettendheid bij het gebruik van het gereedschap kan tot ernstige verwondingen leiden.
- b. **Draag persoonlijke beschermende uitrusting. Draag altijd een veiligheidsbril.** Het dragen van persoonlijke beschermende uitrusting zoals een stofmasker, slipvaste werkschoenen, een veiligheidshelm of gehoorbescherming, afhankelijk van de aard en het gebruik van het elektrische gereedschap, vermindert het risico van verwondingen.
- c. **Voorkom ongewenste inschakeling. Zorg ervoor dat de schakelaar in de uit-stand staat voordat u de stekker in het stopcontact steekt.** Wanneer u bij het dragen van het gereedschap uw vinger op de schakelaar houdt of wanneer u het gereedschap ingeschakeld op de stroomvoorziening aansluit, kan dit tot ongevallen leiden.
- d. **Verwijder instelgereedschappen of schroefleutels voordat u het gereedschap inschakelt.** Een instelgereedschap of sleutel in een draaiend deel van het gereedschap kan leiden tot verwondingen.
- e. **Reik niet te ver. Zorg dat u altijd stevig en in evenwicht staat.** Daardoor kunt u het gereedschap beter onder controle houden in onverwachte situaties.
- f. **Draag geschikte kleding. Draag geen loshangende kleding of sieraden. Houd haren, kleding en handschoenen uit de buurt van bewegende delen.** Loshangende kleding, sieraden en lange haren kunnen door bewegende delen worden meegenomen.
- g. **Wanneer stofafzuigings- of stofopvangvoorzieningen kunnen worden gemonteerd, dient u ervoor te zorgen dat deze zijn aangesloten en juist worden gebruikt.** Het gebruik van dergelijke voorzieningen beperkt het gevaar door stof.
4. **Gebruik en onderhoud van elektrisch gereedschap**
 - a. **Overbelast het gereedschap niet. Gebruik voor uw toepassing het daarvoor bestemde elektrische gereedschap.** Met het passende elektrische gereedschap werkt u beter en veiliger binnen het aangegeven capaciteitsbereik.

- b. Gebruik geen elektrisch gereedschap waarvan de schakelaar defect is.** Elektrisch gereedschap dat niet meer kan worden in- of uitgeschakeld, is gevaarlijk en moet worden gerepareerd.
- c. Trek de stekker uit het stopcontact voordat u het gereedschap instelt, toebehoren wisselt of het gereedschap opbergt.** Met deze voorzorgsmaatregel voorkomt u onbedoeld starten van het gereedschap.
- d. Bewaar niet-gebruikt elektrisch gereedschap buiten bereik van kinderen. Laat het gereedschap niet gebruiken door personen die er niet vertrouwd mee zijn en deze aanwijzingen niet hebben gelezen.** Elektrische gereedschappen zijn gevaarlijk wanneer deze door onervaren personen worden gebruikt.
- e. Onderhoud het gereedschap zorgvuldig. Controleer of de bewegende delen van het gereedschap correct functioneren en niet klemmen en of er geen defecte of beschadigde onderdelen zijn die de werking van het gereedschap nadelig kunnen beïnvloeden. Laat beschadigde delen repareren voordat u het gereedschap gebruikt.** Veel ongevallen worden veroorzaakt door slecht onderhouden elektrisch gereedschap.
- f. Houd snijdende inzetgereedschappen scherp en schoon.** Zorgvuldig onderhouden snijdende inzetgereedschappen met scherpe snijkanten klemmen minder snel vast en zijn gemakkelijker te geleiden.
- g. Gebruik elektrische gereedschappen, toebehoren, inzetgereedschappen en dergelijke volgens deze aanwijzingen en zoals voor dit speciale gereedschapstype is voorgeschreven. Let daarbij op de arbeidsomstandigheden en de uit te voeren werkzaamheden.** Het gebruik van elektrische gereedschappen voor andere dan de voorziene toepassingen kan leiden tot gevaarlijke situaties.
- 5. Service**
Laat het gereedschap alleen repareren door gekwalificeerd en vakkundig personeel en alleen met originele vervangingsonderdelen. Daarmee wordt de veiligheid van het gereedschap gewaarborgd.

Elektrische veiligheid



Dit gereedschap is dubbel geïsoleerd. Een aardaansluiting is daarom niet noodzakelijk. Controleer altijd of uw netspanning overeenkomt met de waarde op het typeplaatje.

Aanvullende veiligheidsinstructies voor niet-oplaadbare batterijen

- ◆ Probeer batterijen niet te openen, om welke reden ook.

- ◆ Bewaar deze niet op locaties met temperaturen van meer dan 40 °C.
- ◆ Gooi lege batterijen weg volgens de instructies in het gedeelte "Milieu".

Verbrand de batterijen niet.

- ◆ Onder extreme omstandigheden kunnen batterijen lekkages vertonen. Ga als volgt te werk als u vloeistof op de batterijen aantreft:
 - Veeg de vloeistof voorzichtig af met een doek. Vermijd huidcontact.

Aanvullende veiligheidsinstructies voor lasers



Lees deze handleiding zorgvuldig door.



Dit product mag niet worden gebruikt door kinderen onder de 16.



Laserstraling.



Kijk nooit in de laserbundel.



Bekijk de laserbundel evenmin met behulp van optische middelen.

- ◆ Deze laser voldoet aan klasse 2 van IEC-norm 60825+A1+A2:2001. Vervang een laserdioden nooit door een exemplaar van een ander type. Laat een beschadigde laser altijd repareren door een van onze servicecentra.
- ◆ Gebruik de laser niet voor andere doeleinden dan het projecteren van laserlijnen.
- ◆ Bij een laser van klasse 2 mag het oog maar 0,25 seconde aan de laserbundel worden blootgesteld om geen letsel op te lopen. Doorgaans bieden de ooglidreflexen echter een adequate bescherming. Bij afstanden van meer dan 1 m valt de laser onder klasse 1 en wordt deze volkomen veilig geacht.
- ◆ Kijk nooit rechtstreeks in de laserbundel.
- ◆ Bekijk de laserbundel evenmin met behulp van optische middelen.
- ◆ Plaats het gereedschap niet op hoofdhoogte van personen die door de laserbundel kunnen lopen.
- ◆ Zorg dat kinderen uit de buurt van de laser blijven.

Aanvullende veiligheidsinstructies voor decoupeerzawing

Waarschuwing! Contact met of inademing van het stof dat bij het zagen vrijkomt, kan de gezondheid van de gebruiker en omstanders schaden. Draag een stofmasker dat speciaal is ontworpen ter bescherming tegen stoffen en dampen, en verzeker u ervan dat andere personen op de werkvloer of die de werkvloer betreden eveneens zijn beschermd.

Onderdelen

Dit gereedschap kan de volgende onderdelen bevatten:

1. Regelknop voor variabele snelheid
2. Vergrendelingsknop
3. Aan/uit-schakelaar
4. Zijgreep
5. Opbergcompartiment voor zaagbladen
6. Turboknop
7. Zoolvergrendelingsknop
8. Zool
9. Stofafzuigingsadapter
10. Zaagblad
11. Steunrol voor zaagblad
12. Vergrendelingshendel voor zaagblad
13. Lasermodule (niet meegeleverd met KS1000NL)

Montage

Waarschuwing! Schakel het gereedschap uit, koppel het netsnoer los en wacht tot het zaagblad stilstaat voordat u de volgende handelingen uitvoert. Zaagbladen die kort tevoren in gebruik zijn geweest, kunnen heet zijn.

Zaagblad aanbrengen (fig. A)

- ◆ Houd het zaagblad (10) zoals weergegeven met de tanden naar voor.
- ◆ Duw de hendel (12) omlaag.
- ◆ Plaats de zaagbladschacht zo ver mogelijk in de bladhouder (14).
- ◆ Laat de hendel (12) los.

Zijgreep bevestigen en verwijderen (fig. B)

- ◆ De zijgreep (4) kan aan de linker- of rechterzijde van het gereedschap worden aangebracht.
- ◆ Bevestig de zijhandgreep (4) in de juiste stand in de locatie op het gereedschap en draai deze achterwaarts vast.
- ◆ Om de greep te verwijderen, draait u deze zo ver mogelijk naar voor en trekt u deze uit de locatie.

Stofzuiger op het gereedschap aansluiten (fig. C & D)

- ◆ Bevestig de stofafzuigingsadapter (9) als weergegeven aan de zool (8).
- ◆ Verbind de slang van de stofzuiger (niet meegeleverd) met de adapter.

Gebruik

Waarschuwing! Gebruik het gereedschap nooit als de zool los zit of is verwijderd.

Zool afstellen voor onder verstek zagen (fig. E)

De zool kan onder een linker- of rechterhoek van maximaal 45° worden geplaatst.

- ◆ Draai de zoolvergrendelingsknop (7) linksom om de zool (8) los te maken.

- ◆ Trek de zool (8) naar achter en stel deze in op de gewenste hoek. U kunt de hoek met een gradenboog controleren.
- ◆ Draai de vergrendelingsknop (7) rechtsom om de zool vast te zetten.

Zool opnieuw afstellen voor recht zagen:

- ◆ Draai de vergrendelingsknop (7) linksom om de zool (8) los te maken.
- ◆ Stel de zool (8) in op een hoek van ca. 0° en duw deze vervolgens naar voor.
- ◆ Draai de vergrendelingsknop (7) rechtsom om de zool vast te zetten. Zorg ervoor dat de zool door de geleideribben wordt ondersteund.

Snelheidsregeling

- ◆ Stel de regelknop voor variabele snelheid (1) af op het gewenste snelheidsbereik. Gebruik voor hout een hoge snelheid, voor aluminium en PVC een gemiddelde snelheid en voor andere metalen dan aluminium een lage snelheid.

Turboknop

- ◆ Zet de turboknop (6) op 0 als u nauwkeurig rechte stukken en bochten wilt zagen, en een gladde oppervlakteafwerking wilt.
- ◆ Zet de turboknop (6) op 2 als u snel en efficiënt recht wilt zagen in hout.

In- en uitschakelen

- ◆ Druk de aan/uit-schakelaar (3) in om het gereedschap in te schakelen.
- ◆ Laat de aan/uit-schakelaar (3) los om het gereedschap uit te schakelen.
- ◆ Druk de vergrendelingsknop (2) in en laat de aan/uit-schakelaar los om de continuïteit te activeren.
- ◆ Druk vanuit de continuïteit nogmaals op de aan/uit-schakelaar (3) en laat deze los om de continuïteit te deactiveren.

Laser bedienen (fig. F - I)

(Niet meegeleverd met de KS1000NL)

Batterijen aanbrengen (fig. F)

Demonteer de lasermodule (13) van de decoupeerzaag door de schroef (15) te verwijderen en de lasermodule naar voor te trekken. Plaats twee nieuwe 1,5 volt AAA-alkalinebatteries met de positieve (+) en negatieve (-) zijde in de juiste richting. Monteer de lasermodule (13) opnieuw.

Laser afstellen (fig. G)

Opmerking: De laser is slechts een hulpmiddel en garandeert geen exacte zaagsnede.

Waarschuwing! Stel de laser niet af terwijl de decoupeerzaag op het stopcontact is aangesloten.

- ◆ Lijn de laserlijn zo nodig met de stelschroef (16) uit ten opzichte van het zaagblad.

Bij een oververhitte decoupeerzaag heeft de laser een lagere zichtbaarheid (lager vermogen). Als de zaag over een langere periode wordt overbelast, is de laserlijn mogelijk helemaal onzichtbaar. Terwijl het gereedschap afkoelt, wordt de laser geleidelijk weer zichtbaar. Dit kunt u niet versnellen door de stekker uit het stopcontact te nemen.

Waarschuwing! Laat de oververhitte laser niet ingeschakeld. Zet de schakelaar op OFF en verbreek de stroomtoevoer naar de laser door de batterijen te verwijderen.

Laser gebruiken (fig. H & I)

De laser projecteert een zaaglijn op het oppervlak van het werkstuk.

- ◆ Druk knop (17) in om de laser in te schakelen.
- ◆ Druk knop (17) nogmaals in om de laser uit te schakelen.

Vanaf de bovenzijde van de decoupeerzaag kunt u de zaaglijn eenvoudig volgen. Als het zicht op de lijn om enige reden wordt belemmerd, kan de laser als alternatieve zaaggeleider worden gebruikt.

- ◆ Markeer de zaaglijn met een potlood.
- ◆ Plaats de decoupeerzaag op de lijn.
- ◆ Schakel de laser in.

Tips voor optimaal gebruik

Gelaagde materialen zagen

Omdat het blad tijdens de opwaartse slag zaagt, kan er splintervorming optreden bij het vlak dat zich het dichtst bij de zool bevindt.

- ◆ Gebruik een zaagblad met fijne tanden.
- ◆ Zaag vanaf de achterzijde van het werkstuk.
- ◆ Klem een stuk afvalhout of hardboard aan weerszijden van het werkstuk en zaag door al deze lagen om de splintervorming te minimaliseren.

Metaal zagen

- ◆ Houd er rekening mee dat het zagen bij metaal veel meer tijd kost dan bij hout.
- ◆ Gebruik een zaagblad dat geschikt is voor het zagen van metaal.
- ◆ Klem bij dun plaatmetaal een stuk afvalhout aan de achterzijde van het werkstuk en zaag door beide lagen.
- ◆ Breng een oliefilm aan langs de gewenste zaaglijn.

Accessoires

De prestaties van het gereedschap zijn afhankelijk van de gebruikte accessoires. Accessoires van Black & Decker en Piranha zijn ontworpen om aan hoge kwaliteitsnormen te voldoen en de prestaties van uw gereedschap te verhogen. In combinatie met deze accessoires kunt u uw gereedschap nog beter laten presteren.

Dit gereedschap is geschikt voor zaagbladen met een U- of T-schacht.

Onderhoud

Uw Black & Decker-gereedschap is ontworpen om gedurende langere periode te functioneren met een minimum aan onderhoud. U kunt het gereedschap naar volle tevredenheid blijven gebruiken als u voor correct onderhoud zorgt en het gereedschap regelmatig schoonmaakt.

- ◆ Reinig de ventilatieopeningen regelmatig met een schone, droge kwast.
- ◆ Reinig het gereedschap uitsluitend met een milde reinigingsoplossing en een vochtige doek. Voorkom dat vloeistof het gereedschap binnendringt en dompel nooit enig onderdeel van het gereedschap in vloeistof onder.
- ◆ Breng van tijd tot tijd een druppel olie aan op de as van de bladsteunrol.

Milieu



Mocht u op een dag constateren dat het gereedschap aan vervanging toe is of dat u het gereedschap niet meer nodig hebt, houdt u dan rekening met het milieu. Black & Decker-servicecentra zijn bereid oude Black & Decker-machines in te nemen en ervoor te zorgen dat deze op milieuvriendelijke wijze worden afgevoerd.



Gescheiden inzameling van gebruikte producten en verpakkingsmaterialen maakt het mogelijk materialen te recyclen en opnieuw te gebruiken. Hergebruik van gerecycleerde materialen zorgt voor minder milieuvuiling en dringt de vraag naar grondstoffen terug.

Plaatselijke verordeningen kunnen voorzien in gescheiden inzameling van huishoudelijke elektrische producten via gemeentelijke stortplaatsen of via de leverancier bij wie u een nieuw product aanschaft.

Black & Decker biedt de mogelijkheid tot het recyclen van afgedankte Black & Decker-producten. Om gebruik te maken van deze service, dient u het product naar een van onze servicecentra te sturen, die de inzameling voor ons verzorgen.

U kunt het adres van het dichtstbijzijnde servicecentrum opvragen via de adressen op de achterzijde van deze handleiding. U kunt ook een lijst van onze servicecentra en meer informatie over onze klantenservice vinden op het volgende internetadres: **www.2helpU.com**.



Gooi afgedankte batterijen op verantwoorde wijze weg. Verwijder de batterijen op de hiervoor beschreven wijze.

- ◆ Plaats de batterijen in een geschikte verpakking om te voorkomen dat de polen worden kortgesloten.
- ◆ Breng de batterijen naar een inzamellocatie in uw woonplaats.

Technische gegevens

KS1000E/KS1000NL/KS1001E/KS1002E

Opgenomen vermogen	W 710
Aantal slagen (zonder belasting)	min-1 800-3.200
Max. zaagdiepte	
Hout	mm 85
Staal	mm 4
Aluminium	mm 10

EG-conformiteitsverklaring

KS1000E/KS1000NL/KS1001E/KS1002E

Black & Decker verklaart dat deze producten in overeenstemming zijn met:

98/37/EG, 89/336/EEG, EN 60745, EN 55014, EN61000, IEC 60825+A1+A2:2001

L_{pA} (geluidsdruk) 88 dB(A),

L_{WA} (geluidsvermogen) 99 dB(A),

Gewogen kwadratisch gemiddelde van versnelling $<6,3 \text{ m/s}^2$

K_{pa} (meetonzekerheid geluidsdruk) 3 dB(A),

K_{wa} (meetonzekerheid geluidsvermogen) 3 dB(A),



Kevin Hewitt
 Director of Consumer Engineering
 Spennymoor, County Durham
 DL16 6JG,
 Verenigd Koninkrijk
 30-06-2006

Garantie

Black & Decker heeft vertrouwen in zijn producten en biedt een uitstekende garantie. Deze garantiebepalingen vormen een aanvulling op uw wettelijke rechten en beperken deze niet. De garantie geldt in de lidstaten van de Europese Unie en de Europese Vrijhandelsassociatie.

Mocht uw Black & Decker product binnen 24 maanden na de datum van aankoop defect raken ten gevolge van materiaal- of constructiefouten, dan garanderen wij de kosteloze vervanging van defecte onderdelen, de reparatie van het product of de vervanging van het product, tenzij:

- ◆ Het product is gebruikt voor handelsdoeleinden, professionele toepassingen of verhuurdoeleinden;
- ◆ Het product onoordeelkundig is gebruikt;
- ◆ Het product is beschadigd door invloeden van buitenaf of door een ongeval;

- ◆ Reparaties zijn uitgevoerd door anderen dan onze servicecentra of Black & Decker-personeel.

Om een beroep te doen op de garantie, dient u een aankoopbewijs te overhandigen aan de verkoper of een van onze servicecentra. U kunt het adres van het dichtstbijzijnde servicecentrum opvragen via de adressen op de achterzijde van deze handleiding. U kunt ook een lijst van onze servicecentra en meer informatie m.b.t. onze klantenservice vinden op het volgende internetadres:

www.2helpU.com

Meld u aan op onze website **www.blackanddecker.nl** om te worden geïnformeerd over nieuwe producten en speciale aanbiedingen. Verdere informatie over het merk Black & Decker en onze producten vindt u op **www.blackanddecker.nl**.

Utilização

A serra eléctrica da Black & Decker foi concebida para serrar madeira, plástico e chapas metálicas. Esta ferramenta destina-se apenas a utilização doméstica.

Regras gerais de segurança

Leia todas as instruções. O não cumprimento das instruções a seguir pode causar choque eléctrico, incêndio e/ou graves lesões. A expressão “ferramenta eléctrica” utilizada a seguir refere-se a ferramentas eléctricas com ligação à corrente eléctrica (com cabo) ou com bateria (sem fios).

GUARDE BEM ESTAS INSTRUÇÕES.

1. Área de trabalho

- a. **Mantenha a área de trabalho limpa e bem iluminada.** Áreas desarrumadas e mal iluminadas são propícias a acidentes.
- b. **Não trabalhe com ferramentas eléctricas em áreas com risco de explosão, nas quais se encontrem líquidos, gases ou poeiras inflamáveis.** As ferramentas eléctricas produzem faíscas que podem provocar a ignição de poeiras ou vapores.
- c. **Mantenha crianças e outras pessoas afastadas enquanto trabalhar com a ferramenta eléctrica.** Distrações podem provocar perdas de controlo da ferramenta.

2. Segurança eléctrica

- a. **A ficha da ferramenta eléctrica deve caber na tomada. A ficha não deve ser modificada de modo algum. Não utilize quaisquer fichas adaptadoras com ferramentas eléctricas ligadas à terra.** Fichas sem modificações e tomadas adequadas reduzem o risco de choques eléctricos.
- b. **Evite que o corpo entre em contacto com superfícies ligadas à terra, como tubos, radiadores, fogões e frigoríficos.** Existe um risco elevado de choques eléctricos se o corpo estiver ligado à terra.
- c. **As ferramentas eléctricas não podem ser expostas a chuva nem humidade.** A penetração de água na ferramenta eléctrica aumenta o risco de choques eléctricos.
- d. **Manuseie o fio com cuidado. O cabo não deve ser utilizado para transportar ou pendurar a ferramenta, nem para puxar a ficha da tomada. Mantenha o cabo afastado de calor, óleo, pontas afiadas ou partes móveis.** Cabos danificados ou torcidos aumentam o risco de choques eléctricos.
- e. **Quando trabalhar com uma ferramenta eléctrica ao ar livre, utilize um cabo de extensão apropriado para esse fim.** A utilização de um cabo apropriado para áreas ao ar livre reduz o risco de choques eléctricos.

3. Segurança pessoal

- a. **Mantenha-se alerta, tenha atenção ao que está a fazer e seja prudente quando trabalhar com a ferramenta eléctrica. Não utilize a ferramenta eléctrica se estiver cansado ou sob a influência de drogas, álcool ou medicamentos.** Um momento de falta de atenção enquanto trabalha com ferramentas eléctricas poderá ter como resultado graves lesões.
 - b. **Utilize equipamento pessoal de protecção. Utilize sempre óculos de protecção.** Equipamento de segurança como uma máscara de protecção contra poeiras, sapatos de segurança anti-derrapantes, capacete de segurança ou protecção auricular, de acordo com o tipo e a aplicação de ferramenta eléctrica, reduz o risco de lesões.
 - c. **Evite o accionamento involuntário. Certifique-se de que o interruptor está na posição de desligado antes de ligar a tomada.** Transportar ferramentas eléctricas com o dedo no interruptor ou ligar ferramentas eléctricas à tomada com o interruptor na posição de ligado é uma prática propícia a acidentes.
 - d. **Retire eventuais chaves de ajustes ou chaves fixas antes de ligar a ferramenta eléctrica.** Uma chave fixa ou qualquer outra chave ligada a uma peça rotativa da ferramenta eléctrica pode provocar lesões.
 - e. **Não tente chegar a pontos fora do alcance. Mantenha-se sempre bem posicionado e equilibrado.** Assim, controlará melhor a ferramenta eléctrica em situações imprevistas.
 - f. **Utilize vestuário adequado. Não utilize roupa larga ou jóias. Mantenha o cabelo, a roupa e as luvas afastados de partes móveis.** Roupas largas, jóias ou cabelo comprido podem ser apanhados por partes móveis.
 - g. **Se forem fornecidos dispositivos para a ligação de equipamentos de aspiração e recolha de poeiras, certifique-se de que são ligados e utilizados de forma correcta.** A utilização destes dispositivos pode reduzir os riscos provocados por poeiras.
- ### 4. Utilização e manutenção da ferramenta eléctrica
- a. **Não sobrecarregue a ferramenta eléctrica. Utilize a ferramenta eléctrica adequada ao trabalho pretendido.** A ferramenta eléctrica correcta realizará o trabalho de forma melhor e mais segura, com a potência com que foi concebida.
 - b. **Não utilize a ferramenta eléctrica se não for possível ligar e desligar o interruptor.** Qualquer ferramenta eléctrica que não possa ser controlada com o interruptor é perigosa e terá de ser reparada.
 - c. **Desligue a ficha da tomada antes de proceder a ajustes, trocar acessórios ou guardar ferramentas eléctricas.** Estas medidas de prevenção de segurança reduzem o risco de ligação inadvertida da ferramenta eléctrica.

d. Guarde as ferramentas eléctricas que não estejam a ser utilizadas fora do alcance das crianças e não permita que sejam utilizadas por pessoas que não conhecem essas ferramentas eléctricas nem estas instruções. As ferramentas eléctricas são perigosas quando utilizadas por pessoas não qualificadas.

e. Proceda à manutenção das ferramentas eléctricas. Verifique se as partes móveis estão desalinhasadas ou bloqueadas, se existem peças partidas ou qualquer outra situação que possa afectar o funcionamento das ferramentas eléctricas. Se detectar avarias, repare a ferramenta eléctrica antes de a utilizar.

Muitos acidentes são provocados por falta de manutenção das ferramentas eléctricas.

f. Mantenha as ferramentas de corte afiadas e limpas. Ferramentas de corte com a manutenção adequada e extremidades afiadas bloqueiam com menos frequência e são mais fáceis de controlar.

g. Utilize a ferramenta eléctrica, os acessórios e as pontas, etc. de acordo com estas instruções e da forma determinada para este tipo específico de ferramenta eléctrica, levando em consideração as condições de trabalho e a tarefa a desempenhar. A utilização da ferramenta eléctrica para fins diferentes dos previstos pode resultar em situações perigosas.

5. Reparação

a. A ferramenta eléctrica deverá ser reparada por técnicos qualificados que utilizem apenas peças de substituição iguais. Isto garantirá a manutenção da segurança da ferramenta eléctrica.

Segurança eléctrica



Esta ferramenta tem um isolamento duplo e, por isso, não é necessário um fio de terra. Verifique sempre se a fonte de alimentação corresponde à tensão indicada na placa de especificações.

Instruções de segurança adicionais para pilhas não recarregáveis

- ◆ Nunca, por motivo algum, tente abrir as pilhas.
- ◆ Não as armazene em locais onde a temperatura possa exceder os 40 °C.
- ◆ Quando eliminar as pilhas, siga as instruções da secção "Proteger o ambiente".

Não efectue uma incineração das pilhas.

- ◆ Em condições extremas, pode ocorrer uma fuga nas pilhas. Se verificar a existência de líquido nas pilhas, proceda do seguinte modo:
 - Limpe cuidadosamente o líquido com um pano. Evite o contacto com a pele.

Instruções de segurança adicionais para lasers



Leia cuidadosamente a totalidade deste manual.



Este produto não deve ser utilizado por crianças com menos de 16 anos.



Radiação laser.



Não olhe directamente para o feixe a laser.



Não utilize ferramentas ópticas para visualizar o feixe a laser.

- ◆ Este laser respeita a classe 2 de acordo com a norma IEC 60825+A1+A2:2001. Não substitua um diodo laser por um tipo diferente. Se o laser estiver danificado, solicite a respectiva reparação a um agente de reparação autorizado.
- ◆ Não utilize o laser para outro fim que não a projecção de riscas de laser.
- ◆ A exposição ocular ao feixe de laser de classe 2 é considerada segura durante um máximo de 0,25 segundos. Os reflexos da pálpebra fornecem normalmente a protecção adequada. O laser respeita a classe 1 a distâncias superiores a 1m, pelo que é considerado completamente seguro.
- ◆ Não olhe directamente para o feixe a laser.
- ◆ Não utilize ferramentas ópticas para visualizar o feixe a laser.
- ◆ Configure a ferramenta de modo a que o feixe a laser não atrevesse a altura da cabeça de uma pessoa.
- ◆ Não permita que as crianças se aproximem do laser.

Instruções de segurança adicionais para serras eléctricas

Advertência! O contacto ou a inalação de poeiras originadas pelas aplicações de corte poderá colocar em perigo a saúde do operador ou das pessoas presentes. Utilize uma máscara de protecção contra poeiras especificamente concebida para protecção contra poeiras e vapores e certifique-se de que as pessoas perto da área de trabalho também estão protegidas.

Funções

Esta ferramenta inclui algumas ou todas as seguintes funções:

1. Interruptor de controlo de velocidade variável
2. Botão de bloqueio
3. Interruptor para ligar/desligar
4. Cabo lateral
5. Compartimento de armazenamento de lâminas de serra
6. Controlo da pressão de turbo
7. Interruptor de bloqueio do arrasto
8. Arrasto
9. Adaptador de extracção de poeiras
10. Lâmina de serra
11. Rolo de suporte de lâminas de serra
12. Alavanca de fecho de lâminas de serra
13. Módulo laser (não fornecido com o KS1000NL)

Montagem

Advertência! Antes de tentar executar qualquer uma das operações que se seguem, certifique-se de que a ferramenta está desligada e a lâmina de serra está parada. As lâminas de serra usadas poderão estar quentes.

Ajustar a lâmina de serra (fig. A)

- ◆ Segure a lâmina de serra (10) conforme indicado, com os dentes virados para a frente.
- ◆ Empurre a alavanca (12) para baixo.
- ◆ Insira a haste da lâmina de serra no porta-lâminas (14) o mais distante possível.
- ◆ Solte a alavanca (12).

Ajustar e remover o cabo lateral (fig. B)

- ◆ É possível ajustar o cabo lateral (4) ao lado esquerdo ou direito da ferramenta.
- ◆ Alinhe e insira o cabo lateral (4) no respectivo local da ferramenta e, em seguida, rode-o para a traseira até encaixar.
- ◆ Para o remover, rode-o para a frente até parar e, em seguida, retire-o do respectivo local.

Ligar um aspirador à ferramenta (fig. C e D)

- ◆ Ligue o adaptador de extracção de poeiras (9) ao arrasto (8), conforme ilustrado.
- ◆ Ligue o tubo do aspirador (não fornecido) ao adaptador.

UTILIZAÇÃO

Advertência! Não utilize a ferramenta quando o arrasto estiver solto ou removido.

Ajustar o arrasto para cortes em bisel (fig. E)

É possível definir o arrasto para um ângulo do bisel esquerdo ou direito até um máximo de 45°.

- ◆ Rode o interruptor de bloqueio do arrasto (7) no sentido contrário ao dos ponteiros do relógio para soltar o arrasto (8).

- ◆ Puxe o arrasto (8) para trás e defina-o para o ângulo pretendido. É possível utilizar um transferidor para verificar o ângulo.
- ◆ Rode o interruptor de bloqueio (7) no sentido dos ponteiros do relógio para encaixar o arrasto no devido lugar.

Para redefinir o arrasto para cortes direitos:

- ◆ Rode o interruptor de bloqueio (7) no sentido contrário ao dos ponteiros do relógio para soltar o arrasto (8).
- ◆ Defina o arrasto (8) para um ângulo de aproximadamente 0° e, em seguida, empurre-o para a frente.
- ◆ Rode o interruptor de bloqueio (7) no sentido dos ponteiros do relógio para encaixar o arrasto no devido lugar. Certifique-se de que o arrasto é suportado por filetes.

Controlo de velocidade variável

- ◆ Defina o interruptor de controlo de velocidade variável (1) para a gama de velocidades pretendida. Utilize uma velocidade rápida para madeira, média para alumínio e PVC e lenta para metais que não sejam alumínio.

Controlo da pressão de turbo

- ◆ Para um corte de curvas direito e preciso e um acabamento de superfícies liso, defina o controlo da pressão de turbo (6) para a posição 0.
- ◆ Para cortes de madeira direitos e eficientes, defina o controlo da pressão de turbo (6) para a posição 2.

Ligar e desligar (fig. P)

- ◆ Para ligar a ferramenta, prima o interruptor ligar/desligar (3).
- ◆ Para desligar a ferramenta, solte o interruptor ligar/desligar (3).
- ◆ Para uma operação contínua, prima o botão de bloqueio (2) e solte o interruptor ligar/desligar.
- ◆ Para desligar a ferramenta quando estiver a executar uma operação contínua, prima o interruptor ligar/desligar (3) mais uma vez e solte-o.

Trabalhar com o laser (fig. F – I)

(Não fornecido com o KS1000NL)

Colocar as pilhas (fig. F)

Solte o módulo laser (13) da serra eléctrica, removendo o parafuso (15) e puxando o módulo laser para a frente. Insira duas novas pilhas alcalinas AAA de 1.5 Volts, certificando-se de que coloca correctamente os terminais (+) e (-). Ligue novamente o módulo laser (13).

Ajustar o laser paralelamente (fig. G)

Nota: O laser é um auxiliar de corte e não garante um corte preciso.

Advertência! Não ajuste o laser com a serra eléctrica ligada.

- ◆ Utilize o parafuso de regulação do laser (16) para alinhar a risca de laser com a lâmina de serra, caso seja necessário.

A visibilidade do laser (potência) será reduzida se se verificar um sobreaquecimento na serra eléctrica. O laser poderá não ser visível quando a serra estiver sobrecarregada durante um período de tempo prolongado. A visibilidade do laser regressará gradualmente ao normal quando a ferramenta arrefecer, mesmo quando estiver desligada.

Advertência! Não deixe o laser sobreaquecido LIGADO. Certifique-se de que o interruptor se encontra na posição OFF (desligado) e remova as pilhas para cortar a potência do laser.

Utilizar o laser (fig. H e I)

O laser projecta a linha de corte para a superfície da peça.

- ◆ Para ligar o laser, prima o botão (17).
- ◆ Para desligar o laser, prima novamente o botão (17).

A linha de corte pode ser seguida facilmente se a visualizar directamente acima da serra eléctrica. Caso não consiga obter esta visualização por qualquer motivo, é possível utilizar o laser como guia de corte alternativo.

- ◆ Utilize um lápis para marcar a linha de corte.
- ◆ Posicione a serra eléctrica acima da linha.
- ◆ Ligue o laser.

Sugestões para uma utilização ideal

Serrar laminados

Uma vez que a lâmina de serra possui um curso de corte ascendente, poderão surgir lascas na superfície junto do arrasto.

- ◆ Utilize uma lâmina de serra com dentes em bom estado.
- ◆ Serre a partir da superfície de fundo da peça.
- ◆ Para minimizar a ocorrência de lascas, coloque fragmentos de madeira ou painel duro em ambos os lados da peça e serre no meio deste painel compósito.

Serrar metal

- ◆ Tenha em atenção que a serração de metal demora muito mais tempo que a serração de madeira.
- ◆ Utilize uma lâmina de serra adequada para a serração de metal.
- ◆ Ao cortar folhas de metal finas, coloque fragmentos de madeira na superfície de fundo da peça e corte no meio deste painel compósito.
- ◆ Espalhe uma camada fina de óleo ao longo da linha de corte pretendida.

Acessórios

O desempenho da ferramenta depende do acessório utilizado. Os acessórios Black & Decker e Piranha são construídos sob normas de alta qualidade e concebidos para melhorar o desempenho da ferramenta. Ao utilizar estes acessórios, obterá o melhor desempenho da ferramenta.

Esta ferramenta adequa-se às lâminas de serra de haste em U e haste em T.

MANUTENÇÃO

A sua ferramenta Black & Decker foi concebida para funcionar por um longo período de tempo com uma manutenção mínima. Um funcionamento contínuo e satisfatório depende de uma manutenção adequada e da limpeza regular da ferramenta.

- ◆ Limpe regularmente os encaixes de ventilação com uma escova limpa e seca.
- ◆ Para limpar a ferramenta, utilize apenas sabão neutro e um pano húmido. Nunca deixe nenhum líquido entrar na ferramenta e nunca submerja nenhuma parte da ferramenta em líquido.
- ◆ Ocasionalmente, aplique uma gota de óleo no eixo do rolo de suporte de lâminas.

Protecção do ambiente



Se algum dia verificar que é preciso substituir a ferramenta ou que esta deixou de ter utilidade, pense na protecção do ambiente. Os agentes de reparação da Black & Decker aceitam ferramentas Black & Decker antigas e garantem que são eliminadas de uma forma segura em termos ambientais.



A recolha separada de produtos e embalagens usados permite que os materiais sejam reciclados e novamente utilizados. A reutilização de materiais reciclados ajuda a evitar a poluição ambiental e reduz a procura de matérias-primas.

A legislação local poderá prever a recolha separada de produtos domésticos eléctricos, seja em lixeiras municipais ou através do revendedor quando adquire um produto novo.

A Black & Decker dispõe de instalações para recolha e reciclagem de produtos Black & Decker quando estes atingem o fim da sua vida útil. Para usufruir deste serviço, devolva o produto em qualquer agente de reparação autorizado, que os recolherá em seu nome.

Pode verificar a localização do agente de reparação autorizado mais perto de si, contactando os escritórios locais da Black & Decker através do endereço indicado neste manual. Se preferir, pode encontrar na Internet uma lista de agentes de reparação autorizados Black & Decker, detalhes completos e contactos do serviço pós-venda, no endereço:

www.2helpU.com.



Quando as pilhas chegarem ao fim da sua vida útil, elimine-as de forma segura para o ambiente. Retire as pilhas como indicado acima.

- ◆ Coloque as pilhas numa embalagem adequada para garantir que os terminais não provocam um curto-circuito.
- ◆ Deposite as pilhas numa estação de reciclagem local.

Dados técnicos

KS1000E/KS1000NL/KS1001E/KS1002E

Potência utilizada	W 710
Número de cursos (sem carga)	min-1 800-3,200
Profundidade máxima de corte	
Madeira	mm 85
Aço	mm 4
Alumínio	mm 10

Declaração de conformidade CE

KS1000E/KS1000NL/KS1001E/KS1002E

A Black & Decker declara que estes produtos estão em conformidade com:

98/37/EC, 89/336/EEC, EN 60745, EN 55014, EN61000, IEC 60825+A1+A2:2001

L_{pA} (pressão acústica) 88 dB(A),

L_{WA} (potência acústica) 99 dB(A),

vibração medida da mão/do braço <6,3 m/s²

K_{pa} (imprecisão da pressão acústica 3 dB(A),

K_{wa} (imprecisão da potência acústica 3 dB(A),

- ◆ O produto tiver sido submetido a utilização indevida ou descuido.
- ◆ O produto tiver sido danificado por objectos estranhos, substâncias ou acidentes.
- ◆ Tiverem sido tentadas reparações por pessoas que não sejam agentes de reparação autorizados ou técnicos de manutenção da Black & Decker.

Para accionar a garantia, terá de apresentar comprovativos de compra ao vendedor ou a um agente de reparação autorizado. Pode verificar a localização do agente de reparação autorizado mais perto de si, contactando os escritórios locais da Black & Decker através do endereço indicado neste manual. Se preferir, pode encontrar na Internet uma lista de agentes de reparação autorizados Black & Decker, detalhes completos e contactos do serviço pós-venda, no endereço:

www.2helpU.com

Visite o nosso website **www.blackanddecker.pt** para registar o novo produto Black & Decker e manter-se actualizado relativamente a novos produtos e ofertas especiais. Pode encontrar mais informações sobre a marca Black & Decker e nossa gama de produtos em

www.blackanddecker.pt



Kevin Hewitt
 Director de Engenharia de
 Consumo
 Spennymoor, County Durham
 DL16 6JG,
 Reino Unido
 30-06-2006

Garantia

A Black & Decker confia na qualidade dos seus produtos e oferece uma garantia excelente. Esta declaração de garantia é um complemento dos seus direitos estabelecidos por lei, não os prejudicando de forma alguma. A garantia é válida nos territórios dos Estados Membros da União Europeia e da Associação Europeia de Comércio Livre.

Se um produto Black & Decker se avariar devido a defeitos de material, fabrico ou não conformidade, num período de 24 meses após a data da compra, a Black & Decker garante a substituição de peças defeituosas, a reparação de produtos sujeitos a um desgaste aceitável ou a substituição dos mesmos para garantir o mínimo de inconveniente ao cliente, excepto se:

- ◆ O produto tiver sido utilizado para fins comerciais, profissionais ou de aluguer.

Användningsområde

Denna figursåg från Black & Decker är konstruerad för sågning i trä, plast och tunn metallplåt. Verktyget är endast avsett som konsumentverktyg.

Allmänna säkerhetsregler

Samtliga anvisningar ska läsas. Fel som uppstår till följd av att anvisningarna nedan inte följts kan orsaka elchock, brand och/eller allvarliga kroppsskador. Nedan använt begrepp "Elverktyg" avser nätdrivna elverktyg (med nätsladd) och batteridrivna elverktyg (sladdlösa).

TA VÄL VARA PÅ SÄKERHETSANVISNINGARNA.

1. Arbetsområde

- a. **Håll arbetsplatsen ren och välbelyst.** Oordning på arbetsplatsen och dåligt belyst arbetsområde kan leda till olyckor.
- b. **Undvik explosionsrisk och använd inte elverktyget i omgivningar med brandfarliga vätskor, gaser eller damm.** Elverktyg alstrar gnistor som kan antända dammet eller gaserna.
- c. **Håll under arbetet med elverktyget barn och obehöriga personer på betryggande avstånd.** Om du störs av obehöriga personer kan du förlora kontrollen över elverktyget.

2. Elektrisk säkerhet

- a. **Elverktygets stickpropp måste passa till vägguttaget. Stickproppen får absolut inte förändras. Använd inte adapterkontakter tillsammans med skyddsjordade elverktyg.** Oförändrade stickproppar och passande vägguttag reducerar risken för elchock.
- b. **Undvik kroppskontakt med jordade ytor som t.ex. rör, värmeelement, spisar och kylskåp.** Det finns en större risk för elchock om din kropp är jordad.
- c. **Skydda elverktyget mot regn och väta.** Tränger vatten in i ett elverktyg ökar risken för elchock.
- d. **Misshandla inte nätsladden. Använd inte sladden för att bära eller hänga upp elverktyget och inte heller för att dra stickproppen ur vägguttaget. Håll nätsladden på avstånd från värme, olja, skarpa kanter och rörliga maskindelar.** Skadade eller tilltrasslade sladdar ökar risken för elchock.
- e. **Använd när du arbetar med ett elverktyg utomhus endast förlängningssladdar som är godkända för utomhusbruk.** Om en avsedd förlängningssladd för utomhusbruk används minskar risken för elchock.

3. Personlig säkerhet

- a. **Var uppmärksam, se på vad du gör och använd elverktyget med förnuft. Använd inte elverktyget när du är trött eller om du är påverkad av droger, alkohol eller mediciner.** Under användning av elverktyg kan även en kort ouppmärksamhet leda till allvarliga kroppsskador.
- b. **Använd personlig skyddsutrustning. Bär alltid skyddsglasögon.** Den personliga skyddsutrustningen som t. ex. dammfiltermask, halkfria säkerhetsskor, hjälm eller hörselskydd - med beaktande av elverktygets modell och driftsätt - reducerar risken för kroppsskada.
- c. **Undvik oavsiktlig igångsättning. Kontrollera att strömbrytaren står i avstängt läge innan du kopplar elverktyget till nätet.** Det kan vara mycket farligt att bära ett elverktyg med fingret på strömbrytaren eller att koppla det till nätet med strömbrytaren i till-läge.
- d. **Ta bort alla inställningsverktyg och skruvnycklar innan du startar elverktyget.** Ett verktyg eller en nyckel i en roterande komponent kan medföra kroppsskada.
- e. **Sträck dig inte för långt. Se till att du alltid har bra fotfäste och säker balans.** På så sätt kan du lättare kontrollera elverktyget i oväntade situationer.
- f. **Bär lämpliga kläder. Bär inte löst hängande kläder eller smycken. Håll hår, kläder och handskar undan från rörliga delar.** Löst hängande kläder, smycken och långt hår kan dras in av roterande delar.
- g. **Vid elverktyg med dammutsugnings- och dammupsamlingsutrustning, kontrollera att anordningarna är rätt monterade och används på korrekt sätt.** Dessa anordningar minskar riskerna i samband med damm.
4. **Bruk och skötsel av elverktyg**
 - a. **Överbelasta inte elverktyget. Använd rätt elverktyg för det aktuella arbetet.** Med ett lämpligt elverktyg kan du arbeta bättre och säkrare inom angivet effektområde.
 - b. **Ett elverktyg med defekt strömbrytare får inte användas.** Ett elverktyg som inte kan kopplas till eller från är farligt och måste repareras.
 - c. **Dra stickproppen ur vägguttaget innan inställningar utförs, tillbehörsdelar byts ut eller elverktyget ställs undan.** Denna skyddsåtgärd förhindrar oavsiktlig inkoppling av elverktyget.
 - d. **Förvara elverktygen oåtkomliga för barn. Låt inte elverktyget användas av personer som inte är förtrogna med dess användning eller inte läst denna anvisning.** Elverktygen är farliga om de används av oerfarna personer.

- e. **Sköt elverktyget omsorgsfullt. Kontrollera att rörliga komponenter fungerar felfritt och inte kärvar, att komponenter inte brustit eller skadats och inget annat föreligger som kan påverka elverktygets funktioner. Låt skadade delar repareras innan elverktyget används på nytt.** Många olyckor orsakas av dåligt skötta elverktyg.
- f. **Håll skärverktyg skarpa och rena.** Omsorgsfullt skötta skärverktyg med skarpa eggar fastnar inte så lätt och går lättare att styra.
- g. **Använd elverktyget, tillbehör, insatsverktyg osv. enligt dessa anvisningar och på sätt som föreskrivits för aktuell verktygsmodell. Ta hänsyn till arbetsvillkoren och arbetsmomenten.** Används elverktyget på icke ändamålsenligt sätt kan farliga situationer uppstå.
5. **Service**
- a. **Låt elverktyget endast repareras av kvalificerad fäktpersonal och med originalreservdelar.** Detta garanterar att elverktygets säkerhet bibehålls.

Elektrisk säkerhet



Eftersom verktyget är dubbelisolerat behövs ingen jordledare. Kontrollera alltid att nätspänningen överensstämmer med värdet på typskylten.

Ytterligare säkerhetsinstruktioner för ej uppladdningsbara batterier

- ◆ Försök aldrig att öppna batterierna.
- ◆ Förvara inte på platser där temperaturen kan bli högre än 40 °C.
- ◆ Följ instruktionerna som anges i avsnittet "Miljö" när du kastar batterierna.

Bränn inte batterierna.

- ◆ Under extrema förhållanden kan batterierna läcka. Gör följande om det finns vätska på batterierna:
 - Torka försiktigt bort vätskan med en trasa. Undvik hudkontakt.

Ytterligare säkerhetsföreskrifter för lasrar



Läs noga igenom hela denna handbok.



Denna produkt får inte användas av barn under 16 år.



Laserstrålning.



Titta inte rakt in i laserstrålen.



Använd inte optiska verktyg för att titta på laserstrålen.

- ◆ Denna laser uppfyller kraven för klass 2 enligt IEC 60825+A1+A2:2001. Byt aldrig ut en laserdiod mot någon annan typ. Om lasern skadas måste den åtgärdas av en behörig reparatör.
- ◆ Använd inte lasern för något annat syfte än att projicera en laserlinje.
- ◆ Strålen från en klass 2-laser kan vara farlig för ögat vid mer än 0,25 sekunders ögonkontakt. Normalt ger blinkreflexen tillräckligt skydd för ögat. Vid mer än en meters avstånd uppfyller lasern kraven för klass 1 och anses därmed helt ofarlig.
- ◆ Titta aldrig rakt in i laserstrålen.
- ◆ Använd inte optiska verktyg för att titta på laserstrålen.
- ◆ Använd aldrig verktyget på ett sådant sätt att laserstrålen kan träffa någon i ögonhöjd.
- ◆ Håll barn utom räckhåll för lasern.

Extra säkerhetsföreskrifter för figursågar

Varning! Sågning ger upphov till damm som kan skada den som använder verktyget och andra i närheten vid kontakt eller inandning. Använd en specialkonstruerad ansiktsmask som skyddar mot damm och ångor, samt se till att personer som vistas på eller i närheten av arbetsområdet också är skyddade.

Funktioner

Detta verktyg har några eller samtliga av följande funktioner:

1. Hastighetsreglage
2. Låsknapp
3. Strömbrytare
4. Sidohandtag
5. Förvaringsutrymme för sågblad
6. Turboväljare
7. Låsknapp för täckplåt
8. Täckplåt
9. Adapter för dammsugning
10. Sågblad
11. Stödrolle för sågblad
12. Låsspak för sågblad
13. Lasermodul (medföljer inte KS1000NL)

Montering

Varning! Innan du gör något av nedanstående ska du kontrollera att verktyget är avstängt, att sågbladet är orörligt och att sladden inte sitter i. Ett sågblad som nyligen har använts kan vara hett.

Montera sågbladet (fig. A)

- ◆ Håll sågbladet (10) som bilden visar med tänderna framåt.
- ◆ Tryck spaken (12) nedåt.
- ◆ Tryck in sågbladets skaft så långt som möjligt i bladhållaren (14).
- ◆ Släpp spaken (12).

Montera och ta bort sidohandtaget (fig. B)

- ◆ Sidohandtaget (4) kan monteras på verktygets vänstra eller högra sida.
- ◆ Rikta in och montera sidohandtaget (4) där det ska vara på verktyget och rotera handtaget mot baksidan tills det låser sig på plats.
- ◆ Ta bort det genom att rotera det mot framsidan tills det tar stopp och sedan dra handtaget utåt.

Ansluta en dammsugare till verktyget (fig. C & D)

- ◆ Montera adaptern för dammsugning (9) på skyddsplåten (8) som på bilden.
- ◆ Anslut dammsugarslangen (medföljer inte) till adaptern.

Användning

Varning! Använd aldrig verktyget om skyddsplåten är lös eller borttagen.

Justera skyddsplåten för vinkelskäring (fig. E)

Skyddsplåten kan vinklas upp till 45° åt vänster eller höger.

- ◆ Vrid skyddsplåtens låsknopp (7) moturs så att skyddsplåten (8) frigörs.
- ◆ Dra skyddsplåten (8) bakåt och ställ in önskad vinkel. Du kan kontrollera vinkeln med en gradskiva.
- ◆ Lås skyddsplåten på plats genom att vrida låsknoppen (7) medurs.

Så här återställer du skyddsplåten för rak skärning:

- ◆ Vrid låsknoppen (7) moturs så att skyddsplåten (8) frigörs.
- ◆ Ställ in skyddsplåten (8) ungefärligt på vinkeln 0° och skjut den framåt.
- ◆ Lås skyddsplåten på plats genom att vrida låsknoppen (7) medurs. Kontrollera att skyddsplåten stöds av styribborna.

Variabel hastighet

- ◆ Vrid hastighetsreglaget (1) till önskad hastighet. Välj hög hastighet för trä, medelhög för aluminium och plast, samt låg hastighet för andra metaller än aluminium.

Turboväljare

- ◆ Ställ turboväljaren (6) i läge 0 för precision vid rak och böjd sågning samt en jämn sågyta.
- ◆ Ställ turboväljaren (6) i läge 2 för snabb och effektiv sågning i trä.

Slå på och av

- ◆ Starta verktyget genom att trycka in strömbrytaren (3).
- ◆ Stäng av verktyget genom att släppa upp strömbrytaren (3).
- ◆ Tryck in låsknappen (2) och släpp strömbrytaren om du vill ha kontinuerlig drift.
- ◆ När verktyget är i kontinuerlig drift stänger du av det genom att trycka in och släppa strömbrytaren (3).

Hantera lasern (fig. F - I)

(Medföljer inte KS1000NL)

Sätta i batterierna (fig. F)

Lossa lasermodulen (13) från figursågen genom att ta bort skruven (15) och dra lasermodulen framåt. Sätt in två nya 1,5-volts alkaliska AAA-batterier och var noga med att placera plus- och minuspolerna korrekt. Sätt tillbaka lasermodulen (13).

Justera lasern i sidled (fig. G)

Obs! Lasern är ett hjälpmedel men garanterar inte exakt skärning.

Varning! Dra ur sladden till sågen innan du justerar lasern.

- ◆ Med hjälp av laserjusterskruven (16) kan du rikta in laserlinjen mot sågbladet om det behövs.

Om sågen överhettas får lasern mindre kraft och syns sämre. Lasern kan helt sluta synas om verktyget överbelastas en längre tid. Lasern återgår gradvis till normal synlighet när verktyget svalnar, även om sladden inte sitter i.

Varning! Lämna inte en överhettad laser påslagen. Se till att strömbrytaren är i läge AV och ta ut batterierna till lasern.

Använda lasern (fig. H & I)

Lasern projicerar såglinjen på arbetsmaterialets yta.

- ◆ Sätt på lasern genom att trycka på knappen (17).
- ◆ Stäng av lasern genom att trycka på knappen (17) en gång till.

Det är enkelt att följa laserlinjen om du håller huvudet rak ovanför sågen. Om det inte går kan du använda lasern för alternativ sågstyrning.

- ◆ Märk ut såglinjen med en blyertspenna.
- ◆ Placera sågen över linjen.
- ◆ Sätt på lasern.

Råd för bästa resultat

Såga i laminat

Eftersom sågbladet skär på vägen upp kan ytan närmast skyddsplåten flisas.

- ◆ Använd ett fintandat sågblad.
- ◆ Vänd arbetsmaterialets undersida uppåt när du sågar.
- ◆ Minska risken för flisor genom att tvinga fast en överbliven träbit eller hård träfiberskiva på båda sidor på arbetsmaterialet och såga genom alltihop som en dubbelsmörgås.

Såga i metall

- ◆ Tänk på att det tar mycket längre tid att såga i metall än i trä.
- ◆ Välj ett sågblad som lämpar sig för metallsågning.

- ◆ Vid sågning av tunn metallplåt tvingar du fast en överbliven träbit på arbetsmaterialets undersida och sågar genom båda lagren som en smörgås.
- ◆ Smörj såglinjen med olja innan du sågar.

Tillbehör

Vilka resultat du får med verktyget beror på vilka tillbehör du använder. Tillbehör från Black & Decker och Piranha håller högkvalitativ standard och är konstruerade för att fungera optimalt med verktyget. Med dessa tillbehör får du ut det allra bästa av verktyget.

Sågblad med både U-skaft och T-skaft kan användas med detta verktyg.

Underhåll

Detta Black & Decker-verktyg har tillverkat för att fungera under lång tid med ett minimum av underhåll. Med rätt underhåll och regelbunden rengöring behåller verktyget sin prestanda.

- ◆ Rengör regelbundet ventilationsöppningen med en ren och torr målarborste.
- ◆ Använd bara mild tvål och dammtrasa för att rengöra sågen. Låt aldrig någon vätska komma in i sågen och doppa den aldrig i någon vätska.
- ◆ Applicera då och då en droppe olja på bladstödlens axel.

Miljö



När ditt verktyg är utslitet, skydda naturen genom att inte slänga det tillsammans med vanligt avfall. Black & Decker-verkstäder tar emot gamla Black & Decker-verktyg och ser till att de omhändertas på ett miljövänligt sätt.



Insamling av uttjänta produkter och förpackningsmaterial gör att material kan återanvändas. Användning av återvunnet material minskar föroreningar av miljön och behovet av råmaterial.

Lokala föreskrifter kan kräva separat insamling av elprodukter från hushållen, vid kommunala insamlingsplatser eller hos återförsäljaren när du köper en ny produkt.

Black & Decker samlar in och återvinner uttjänta Black & Decker-produkter. Om du vill utnyttja denna tjänst återlämnar du produkten till en auktoriserad verkstad, som samlar in den för vår räkning.

För information om närmaste auktoriserade verkstad, kontakta det lokala Black & Decker-kontoret på den adress som är angiven i bruksanvisningen. En lista på alla auktoriserade verkstäder samt servicevillkor finns även tillgängliga på Internet: www.2helpU.com.



Kassera batterierna på ett miljövänligt sätt när de är förbrukade. Ta bort batterierna enligt beskrivningen ovan.

- ◆ Placera batterierna i lämplig förpackning så att det inte blir kortslutning mellan polerna.
- ◆ Släng batterierna i en batteriholk eller på en lokal återvinningsstation.

Tekniska data

	KS1000E/KS1000NL/KS1001E/KS1002E
Ineffekt	W 710
Sågbladsfrekvens (utan belastning)	per 800-3 200 min
Maximalt sågningsdjup	
Trä	mm 85
Stål	mm 4
Aluminium	mm 10

EC-förklaring om överensstämmelse

KS1000E/KS1000NL/KS1001E/KS1002E

Black & Decker förklarar att dessa produkter överensstämmer med:

98/37/EC, 89/336/EEC, EN 60745, EN 55014, EN61000,

IEC 60825+A1+A2:2001

L_{pA} (ljudnivå) 88 dB(A),

L_{pA} (akustisk effekt) 99 dB(A),

hand-/armvägd vibration $<6,3 \text{ m/s}^2$

K_{pA} (osäkerhet bullertryck): 3 dB(A),

K_{WA} (osäkerhet akustisk effekt): 3 dB(A),

K. Hewitt

Kevin Hewitt
Director of Consumer Engineering
Spennymoor, County Durham
DL16 6JG,
Storbritannien
30-06-2006

Garanti

Black & Decker garanterar att produkten är fri från material- och/eller fabriktionsfel vid leverans till kund. Garantin är i tillägg till konsumentens lagliga rättigheter och påverkar inte dessa. Garantin gäller inom medlemsstaterna i Europeiska Unionen och i det Europeiska Frihandelsområdet.

Om en Black & Decker-produkt går sönder på grund av material- och/eller fabriktionsfel eller brister i överensstämmelse med specifikationen, inom 24 månader från köpet, åtar sig Black & Decker att reparera eller byta ut produkten med minsta besvär för kunden, förutom om:

- ◆ Produkten har använts i kommersiellt, yrkesmässigt eller uthyrningssyfte.

SVENSKA

- ◆ Produkten har utsatts för felaktig användning eller skötsel.
- ◆ Produkten har skadats av främmande föremål, ämnen eller genom olyckshändelse.
- ◆ Reparation har utförts av någon annan än en auktoriserad Black & Decker-verkstad.

För att utnyttja garantin skall produkten och inköpskvittot lämnas till återförsäljaren eller till en auktoriserad verkstad senast 2 månader efter det att felet har upptäckts. För information om närmaste auktoriserad verkstad, kontakta det lokala Black & Decker-kontoret på den adress som är angiven i bruksanvisningen. En lista på alla auktoriserade verkstäder samt servicevillkor finns även tillgängliga på Internet:

www.2helpU.com

Besök vår webbplats **www.blackanddecker.se** för att registrera din nya Black & Decker-produkt samt för att erhålla information om nya produkter och specialerbjudanden. Vidare information om märket Black & Decker och vårt produktsortiment återfinns på

www.blackanddecker.se.

Bruksområde

Din nye stikksag fra Black & Decker er konstruert for saging av tre, plast og metallplater. Verktøyet er tiltenkt kun som konsumentverktøy.

Generelle sikkerhetsforskrifter

Les gjennom alle anvisningene. Hvis anvisningene nedenfor ikke overholdes, kan det medføre elektrisk støt, brann og/eller alvorlige skader. Uttrykket "elektroverktøy" i alle advarslene nedenfor gjelder for strømdrevne elektroverktøy (med ledning) og batteridrevne elektroverktøy (uten ledning).
TA GODT VARE PÅ DISSE ANVISNINGENE.

1. Arbeidsplassen

- Hold arbeidsområdet rent og godt opplyst.** Rotete arbeidsområder og arbeidsområder uten lys kan føre til ulykker.
- Ikke arbeid med elektroverktøy i eksplosjonsfarlige omgivelser – der det befinner seg brennbare væsker, gass eller støv.** Elektroverktøy forårsaker gnister som kan antenne støv eller damper.
- Hold barn og andre personer unna når elektroverktøyet brukes.** Hvis du blir forstyrret under arbeidet, kan du miste kontrollen.

2. Elektrisk sikkerhet

- Støpselet til elektroverktøyet må passe inn i stikkkontakten. Støpselet må ikke forandres på noen som helst måte. Ikke bruk adapterstøpsler sammen med jordede elektroverktøy.** Bruk av originale støpsler og passende stikkontakter reduserer risikoen for elektrisk støt.
- Unngå kroppskontakt med jordede overflater som rør, radiatorer, komfyrer og kjøleskap.** Det er større fare for elektrisk støt dersom kroppen din er jordat.
- Hold elektroverktøy unna regn eller fuktighet.** Dersom det kommer vann i et elektroverktøy, øker faren for elektrisk støt.
- Unngå uforsvarlig behandling av ledningen. Elektroverktøyet må aldri bæres eller trekkes etter ledningen, og trekk heller ikke ut støpselet ved å rykke i ledningen. Hold ledningen unna varme, olje, skarpe kanter eller bevegelige deler.** Med skadde eller sammenflokede ledninger øker risikoen for elektrisk støt.
- Når du arbeider utendørs med et elektroverktøy, må du kun bruke en skjøteledning som er godkjent til utendørs bruk.** Ved å bruke en skjøteledning som er egnet for utendørs bruk, reduseres risikoen for elektrisk støt.

3. Personssikkerhet

- Vær oppmerksom, pass på hva du gjør, og gå fornuftig fram når du arbeider med et elektroverktøy. Ikke bruk elektroverktøy når du er trett eller er påvirket av narkotiske stoffer, alkohol eller medikamenter.** Et øyeblikks uoppmerksomhet under bruk av verktøyet kan føre til alvorlig personskade.
 - Bruk personlig verneutstyr. Bruk alltid vernebriller.** Bruk av personlig verneutstyr, for eksempel støvmaske, sklisikre vernesko, hjelm eller hørselsvern som passer til forholdene, reduserer risikoen for personskader.
 - Unngå utilsiktet start av elektroverktøyet. Sørg for at bryteren står i posisjon "av" før verktøyet kobles til.** Det kan føre til ulykker hvis du bærer elektroverktøyet med fingeren på bryteren, eller kobler til verktøyet når bryteren ikke står i posisjon "av".
 - Fjern innstillingsverktøy eller skrunøkler før du slår på elektroverktøyet.** Et verktøy eller en nøkkel som befinner seg i en roterende del, kan føre til personskade.
 - Ikke strekk deg for langt. Pass på at du alltid har sikkert fotfeste og god balanse.** Da kan du kontrollere elektroverktøyet bedre i uventede situasjoner.
 - Bruk alltid egnede klær. Ikke bruk løstsittende klær eller smykker. Hold hår, klær og hansker unna bevegelige deler.** Løstsittende tøy, smykker eller langt hår kan komme inn i bevegelige deler.
 - Hvis det kan monteres støvavsug- og oppsamlingsinnretninger, må du sørge for at disse er tilkoblet og brukes på korrekt måte.** Bruk av disse innretningene reduserer faren for forbindelse med støv.
- ### 4. Aktsom håndtering og bruk av elektroverktøy
- Ikke bruk makt på elektroverktøyet. Bruk et elektroverktøy som er beregnet på den type arbeid du vil utføre.** Med et passende elektroverktøy arbeider du bedre og sikrer i det angitte effektområdet.
 - Ikke bruk elektroverktøy med defekt strømbryter.** Et elektroverktøy som ikke lenger kan slås av eller på med bryteren, er farlig og må repareres.
 - Trekk støpselet ut av stikkkontakten før du utfører innstillinger på elektroverktøyet, skifter tilbehørsdeler eller legger elektroverktøyet bort.** Disse tiltakene reduserer risikoen for en utilsiktet start av elektroverktøyet.
 - Elektroverktøy som ikke er i bruk, må oppbevares utilgjengelig for barn. Ikke la verktøyet brukes av personer som ikke er fortrolig med dette, eller som ikke har lest disse bruksanvisningene.** Elektroverktøy er farlige når de brukes av uerfarne personer.

- e. Vær nøye med vedlikehold av elektroverktøy. Kontroller om bevegelige deler fungerer feilfritt og ikke klemmes fast, om deler er brukket eller skadet og andre forhold som kan innvirke på elektroverktøyets funksjon. Hvis elektroverktøyet er skadet, må det repareres før bruk.** Dårlig vedlikeholdte elektroverktøy er årsaken til mange uhell.
- f. Hold skjæreverktøy skarpe og rene.** Godt vedlikeholdte skjæreverktøy med skarpe egger setter seg ikke så ofte fast og er lettere å føre.
- g. Bruk elektroverktøy, tilbehør, bits osv. i henhold til disse anvisningene og slik det er foreskrevet for denne spesielle verktøytypen. Ta hensyn til arbeidsforholdene og arbeidet som skal utføres.** Bruk av elektroverktøy til andre formål enn det som er angitt, kan føre til farlige situasjoner.
- 5. Service**
- a. Elektroverktøyet ditt skal alltid repareres av kvalifisert personell og kun med originale reservedeler.** Dette forsikrer at elektroverktøyets sikkerhet opprettholdes.

Elektrisk sikkerhet



Dette apparatet er dobbeltisolert. Jording er derfor ikke nødvendig. Kontroller at spenningen er i overensstemmelse med spenningen på typeskiltet.

Ytterligere sikkerhetsinstruksjoner for ikke-oppladbare batterier

- ◆ Forsøk ikke å åpne uansett hvilket formål du måtte ha.
- ◆ Oppbevar ikke på steder der temperaturen kan overskride 40 °C.
- ◆ Følg instruksene som finnes i avsnittet "Miljø" når du skal kaste batterier.

Ikke brenn batteriene.

- ◆ Under ekstreme forhold kan batterilekasje forekomme. Hvis du oppdager væske på batteriene, gjør du følgende:
 - Tørk omhyggelig væsken av med en tøyklut. Unngå kontakt med huden.

Ekstra sikkerhetsinstruksjoner for laserstråler



Les hele denne bruksanvisningen grundig.



Produktet skal ikke benyttes av barn under 16 år.



Laserstråling.



Ikke se direkte inn i laserstrålen.



Se ikke på laserstrålen gjennom optiske verktøy.

- ◆ Denne laseren er en klasse 2-laser i henhold til IEC 60825+A1+A2:2001. Laserdioder må ikke erstattes med andre typer. Hvis laseren blir skadet, må den repareres av en autorisert reparatør.
- ◆ Laseren skal ikke brukes til annet enn å sende laserlinjer.
- ◆ Det er ikke trygt å eksponere øyet for en klasse 2-laserstråle i mer enn 0,25 sekunder. Øyelokkrefleksene vil vanligvis gi tilstrekkelig beskyttelse. Ved avstander over 1 m anses laseren som en klasse 1-laser og er derfor fullstendig trygg.
- ◆ Se aldri direkte inn i laserstrålen med hensikt.
- ◆ Se ikke på laserstrålen gjennom optiske verktøy.
- ◆ Plasser ikke verktøyet slik at laserstrålen kan krysse mennesker ved hodehøyde.
- ◆ La ikke barn komme nær laseren.

Ekstra sikkerhetsinstruksjoner for stiksager

Advarsel! Kontakt med eller inhalering av støv som oppstår ved skjæring, kan være helseskadelig for operatøren og eventuelle tilskuere. Bruk en spesialmaske som verner mot støv og damp, og pass på at andre som oppholder seg eller kommer inn i området der du arbeider, også beskyttes seg.

Funksjoner

Dette verktøyet inneholder enkelte av eller alle funksjonene nedenfor:

1. Kontrollknapp med variabel hastighet
2. Låseknapp
3. Strømbryter
4. Sidehåndtak
5. Lagringsrom for sagblad
6. Turbovelger
7. Låseknapp for fotplate
8. Fotplate
9. Støvtuttsadapter
10. Sagblad
11. Styrerulle for sagblad
12. Låsespak for sagblad
13. Laser (følger ikke med KS1000NL)

Montering

Advarsel! Før du utfører noen av fremgangsmåtene nedenfor, må du sikre at verktøyet er slått av, kontakten er pluggert ut og sagbladet har stoppet. Brukte sagblad kan være varme.

Montere sagbladet (figur A)

- ◆ Hold sagbladet (10) som vist, med taggene vendt fremover.
- ◆ Trykk spaken (12) ned.
- ◆ Sett festetappen til sagbladet så langt inn i bladholderen (14) som den går.
- ◆ Slipp spaken (12).

Montere og fjerne sidehåndtaket (figur B)

- ◆ Sidehåndtaket (4) kan monteres på både venstre og høyre side av verktøyet.
- ◆ Sett inn sidehåndtaket (4) på plass på ønsket sted, og dreier det bakover til det låses på plass.
- ◆ Når du skal fjerne det, dreier du håndtaket fremover til det stopper, og deretter trekker du det ut av sokkelen.

Koble en støvsuger til verktøyet (figur C og D)

- ◆ Fest støvuttaksadapteren (9) til fotplaten (8) som vist ovenfor.
- ◆ Koble støvsugerslangen (ikke medfølgende) til adapteren.

Bruk

Advarsel! Bruk aldri verktøyet mens fotplaten er løs eller fjernet.

Justere fotplaten for skråkutting (figur E)

Fotplaten kan skråstilles opptil 45° både til høyre og venstre.

- ◆ Drei låseknappen for fotplaten (7) mot klokken for å frigjøre fotplaten (8).
- ◆ Trekk fotplaten (8) bakover, og still den til ønsket vinkel. Du kan kontrollere vinkelen ved hjelp av en vinkelmåler.
- ◆ Drei låseknappen (7) med klokken for å låse fotplaten på plass.

Slik stiller du fotplaten tilbake for vinkelrette kutt:

- ◆ Drei låseknappen (7) mot klokken for å frigjøre fotplaten (8).
- ◆ Sett fotplaten (8) til en vinkel på omkring 0°, og skyv den fremover.
- ◆ Drei låseknappen (7) med klokken for å låse fotplaten på plass. Kontroller at fotplaten støttes av styreribbene.

Variabel hastighetskontroll

- ◆ Still kontrollknappen for variabel hastighet (1) til ønsket hastighetsområde. Bruk en høy hastighet for tre, middels hastighet for aluminium og PVC og lav hastighet for andre metaller.

Turbovelger

- ◆ Hvis du ønsker rette og buede kutt med jevn overflate, kan du stille turbovelgeren (6) til posisjon 0.
- ◆ Hvis du ønsker raske og effektive kutt i tre, kan du sette turbovelgeren (6) til posisjon 2.

Start og stopp

- ◆ Trykk på av/på-knappen (3) for å slå verktøyet på.
- ◆ Slipp av/på-knappen (3) for å slå verktøyet av.
- ◆ Hvis du ønsker å holde verktøyet i kontinuerlig drift, trykker du inn låseknappen (2) og slipper av/på-knappen.
- ◆ Hvis du vil slå av verktøyet mens det er i kontinuerlig drift, trykker du inn av/på-knappen (3) en gang til og slipper den.

Betjene laseren (figur F – I)

(Leveres ikke med KS1000NL)

Sette i batterier (figur F)

Koble lasermodulen (13) fra stikksagen ved å fjerne skruen (15) og trekke lasermodulen fremover. Sett inn to nye 1,5 volts alkaliske AAA-batterier, og kontroller at (+)- og (-)-polene står rett vei. Sett lasermodulen (13) tilbake på plass.

Justere laseren sideveis (figur G)

Merk: Laseren er ment som et skjærehjelpemiddel og garanterer ikke et presis kutt.

Advarsel! Juster aldri laseren mens stikksagen er koblet til nettspenning.

- ◆ Bruk laserjusteringskruen (16) til å justere laserlinjen i forhold til sagbladet som nødvendig.

Laserens synlighet (kraft) blir redusert hvis stikksagen overopphetes. Laseren vil kanskje ikke være synlig hvis saken overbelastes over lengre tid. Laseren vil gradvis bli mer synlig og til slutt bli normal etter som verktøyet kjøles ned, selv om kontakten er koblet ut.

Advarsel! La aldri en overopphetet laser stå PÅ. Sørg for at bryteren står i AV-posisjon, og ta ut batteriene for å fjerne strømmen til laseren.

Bruke laseren (figur H – I)

Laseren projiserer skjærelinjen på overflaten til arbeidsstykket.

- ◆ Trykk på knappen (17) for å slå laseren på.
- ◆ Trykk på knappen (17) en gang til for å slå laseren av.

Skjærelinjen skal være lett å følge når man ser rett ned fra oversiden av stikksagen. Hvis denne synsvinkelen er blokkert, kan du bruke laseren som en alternativt skjærehjelp.

- ◆ Bruk en blyant til å merke skjærelinjen.
- ◆ Plasser stikksagen over linjen.
- ◆ Slå på laseren.

Råd for optimal bruk

Sage i laminat

Ettersom sagbladet skjærer på oppadgående bevegelse, kan det forekomme flising på flaten nærmest fotplaten.

- ◆ Bruk et fintagget sagblad.
- ◆ Sag fra den bakre flaten på arbeidsstykket.
- ◆ For å minimere flising kan du klemme et stykke kapp eller fiberplate på begge sider av arbeidsstykket og sage gjennom dette.

Sage i metall

- ◆ Vær oppmerksom på at saging i metall tar mye lengre tid enn saging i tre.
- ◆ Bruk et sagblad som egner seg for metallsaging.

- ◆ Når du skjærer tyne metallplater, kan du klemme et stykke kapp til den bakre flaten på arbeidsstykket og skjære gjennom dette.
- ◆ Smør en film av olje over hele den tiltenkte skjærelinjen.

Tilbehør

Verktøyet ytelse avhenger av tilbehøret du bruker. Tilbehør fra Black & Decker og Piranha er produsert etter høye kvalitetsstandarder og er konstruert for å bedre verktøyet ytelse. Hvis du bruker dette tilbehøret, får du den aller beste ytelsen fra verktøyet ditt.

Dette verktøyet kan brukes med sagblad med både U- og T-festetapper.

Vedlikehold

Black & Decker-verktøyet ditt er konstruert for å være i drift over lengre tid med et minimum av vedlikehold. Det er avhengig av godt vedlikehold og regelmessig rengjøring for å fungere som det skal til enhver tid.

- ◆ Rengjør jevnlig ventilasjonssporene med en ren, tørr malerkost.
- ◆ Du rengjør verktøyet med en mild såpe og en fuktig klut. La det aldri sive væske inn i verktøyet, og senk aldri noen deler av verktøyet ned i væske.
- ◆ Påfør av og til en dråpe olje på akselen til bladets styrerulle.

Miljø



Når verktøyet er utslitt, bør det kasseres på en miljøvennlig måte. Black & Decker-serviceverkstedene tar imot gamle Black & Decker-verktøy og kasserer dem på en miljømessig forsvarlig måte.



Hvis brukte produkter og emballasje leveres atskilt, kan materialer resirkuleres og brukes på nytt. Resirkulering av brukte produkter gir redusert miljøforurensing og mindre behov for råmaterialer.

Det kan være lokale bestemmelser for egen innsamling av elektriske produkter fra husstander, på kommunale avfallsplasser eller hos forhandleren når du kjøper et nytt produkt.

Black & Decker tar imot brukte Black & Decker-produkter for resirkulering. Du kan levere produktet til et autorisert serviceverksted.

For informasjon om nærmeste autoriserte serviceverksted, kontakt ditt lokale Black & Decker-kontor på den adressen som er angitt i bruksanvisningen. Det finnes også en liste over autoriserte Black & Decker-serviceverksteder og opplysninger om ettersalgsservice og kontakter på Internett:

www.2helpU.com.



Tenk på miljøet når batteriene er tomme og du skal kaste dem. Ta ut batteriene som beskrevet ovenfor.

- ◆ Legg batteriene i egnet emballasje for å sikre at polene ikke kortslutter.
- ◆ Lever batteriene på den nærmeste spesialavfallsstasjonen.

Tekniske data

KS1000E/KS1000NL/KS1001E/KS1002E	
Inn-effekt	W 710
Antall slag (uten belastning)	min-1 800 – 3 200
Maks. skjæredybde	
Tre	mm 85
Stål	mm 4
Aluminium	mm 10

Samsvarserklæring for EU

KS1000E/KS1000NL/KS1001E/KS1002E

Black & Decker erklærer at disse produktene overholder:
98/37/EF, 89/336/EØF, EN 60745, EN 55014, EN61000,

IEC 60825+A1+A2:2001

L_{pA} (lydtrykk) 88 dB(A),

L_{WA} (akustisk effekt) 99 dB(A),

hånd/arm-vektet vibrasjon $6,3 \text{ m/s}^2$

K_{pa} (lydtrykksusikkerhet) 3 dB(A),

K_{wa} (usikkerhet i akustisk effekt) 3 dB(A),

Kevin Hewitt

Direktør for forbrukerteknikk
Spennymoor, County Durham

DL16 6JG,

Storbritannia

30-06-2006

Garanti

Black & Decker er trygg på kvaliteten til sine produkter og tilbyr en enestående garanti. Denne garantierklæringen kommer i tillegg til dine lovbestemte rettigheter, og er ikke i konflikt med disse. Garantien er gyldig i EU- og EFTA-medlemsstatene.

Hvis et Black & Decker-produkt går i stykker på grunn av material- og/eller fabrikkasjonsfeil eller har mangler i forhold til spesifikasjonene, innen 24 måneder fra kjøpet, påtar Black & Decker seg å skifte ut defekte deler, reparere produkter som har vært utsatt for alminnelig slitasje, eller bytte ut slike produkter med minst mulig vanskelighet for kunden, med mindre

- ◆ produktet har vært brukt i yrkes-/næringsvirksomhet eller til utleie
- ◆ produktet har vært utsatt for feilaktig bruk eller mislighold

- ◆ produktet har blitt skadet av fremmede gjenstander eller stoffer eller ved et uhell
- ◆ reparasjoner er forsøkt utført av andre enn autoriserte serviceverksteder eller Black & Deckers serviceteknikere

For å ta garantien i bruk skal produktet og kjøpekvittering leveres til forhandleren eller til et autorisert serviceverksted. For informasjon om nærmeste autoriserte serviceverksted, kontakt ditt lokale Black & Decker-kontor på den adressen som er angitt i bruksanvisningen. En oversikt over autoriserte serviceverksteder og opplysninger om ettersalgsservice og kontakter er også tilgjengelig på Internett:

www.2helpU.com

Besøk vårt webområde **www.blackanddecker.no** for å registrere ditt nye Black & Decker-produkt og for å holde deg oppdatert om nye produkter og spesialtilbud. Du finner mer informasjon om Black & Decker og produktutvalget vårt på

www.blackanddecker.no.

Anvendelsesområde

Din Black & Decker stiksav er designet til at skære i træ, plast og metalplader. Værktøjet er kun beregnet til privat brug.

Generelle sikkerhedsregler

Læs alle instruktionerne. Hvis nedenstående instruktioner ikke følges, kan der opstå risiko for elektrisk stød, brand og/eller alvorlige personskader. Begrebet "elværktøj", der benyttes i nedenstående advarsler, henviser til netdrevne (med netledning) eller batteridrevne maskiner (uden netledning).

DISSE INSTRUKTIONER BØR OPBEVARES TIL SENERE BRUG.

1. Arbejdsområde

- a. **Sørg for, at arbejdsområdet er rent og ordentligt oplyst.** Uordentlige og uoplyste arbejdsområder øger faren for uheld.
- b. **Brug ikke elværktøj i eksplosionstruede omgivelser, f.eks. hvor der er brændbare væsker, gasser eller støv.** Elværktøj kan slå gnister, der kan antænde støv eller dampe.
- c. **Sørg for, at børn og andre personer holder sig på afstand, når elværktøjet er i brug.** Hvis man bliver distraheret, kan man miste kontrollen over værktøjet.

2. Elektricitet og sikkerhed

- a. **Elværktøjsstik skal passe til stikkontakten. Stikket må under ingen omstændigheder ændres. Brug ikke adapterstik sammen med jordforbundet elværktøj.** Uædrede stik, der passer til stikkontakterne, nedsætter risikoen for elektrisk stød.
- b. **Undgå kropskontakt med jordforbundne overflader som f.eks. rør, radiatorer, komfurer og køleskabe.** Hvis din krop er jordforbundet, øges risikoen for elektrisk stød.
- c. **Elværktøj må ikke udsættes for regn eller fugt.** Indtrængen af vand i elværktøj øger risikoen for elektrisk stød.
- d. **Undgå at ødelægge ledningen. Undgå at bære, trække eller afbryde elværktøjet ved at rykke i ledningen. Beskyt ledningen mod varme, olie, skarpe kanter eller maskindele, der er i bevægelse.** Beskadigede eller udviklede ledninger øger risikoen for elektrisk stød.
- e. **Hvis elværktøj benyttes i det fri, skal der benyttes en forlængerledning, som er godkendt til udendørs brug.** Brug af en forlængerledning til udendørs brug nedsætter risikoen for elektrisk stød.

3. Personlig sikkerhed

- a. **Det er vigtigt at være opmærksom, holde øje med, hvad man laver, og bruge elværktøjet fornuftigt. Man bør ikke bruge værktøjet, hvis man er træt, har nydt alkohol eller er påvirket af medicin eller euforiserende stoffer.** Få sekunders uopmærksomhed ved brug af elværktøj kan føre til alvorlige personskader.
 - b. **Brug sikkerhedsudstyr. Brug altid beskyttelsesbriller.** Brug af sikkerhedsudstyr som f.eks. støvmaske, skridsikkert fodtøj, beskyttelseshjelm eller høreværn nedsætter risikoen for personskader, hvis udstyret anvendes korrekt.
 - c. **Undgå utilsigtet igangsætning. Sørg for, at elværktøjets afbryder er i slukket position, før det sluttes til strømmen.** Hvis man bærer elværktøj med fingeren på afbryderen, eller hvis man slutter værktøjet til strømmen, mens afbryderen er i tændt position, er der risiko for ulykker.
 - d. **Fjern indstillingsværktøj eller skruenøgle, inden elværktøjet tændes.** Et værktøj eller en nøgle, der efterlades i en roterende del i elværktøjet, kan resultere i personskader.
 - e. **Overvurder ikke dig selv. Sørg for, at du altid har sikkert fodfæste og balance.** Det gør det nemmere at kontrollere elværktøjet, hvis der skulle opstå uventede situationer.
 - f. **Brug egnet arbejdstøj. Undgå løse beklædningsgenstande eller smykker. Hold hår, tøj og handsker væk fra dele, der bevæger sig.** Bevægelige dele kan gribe fat i løstsiddende tøj, smykker eller langt hår.
 - g. **Hvis støvudsugnings- og opsamlingsudstyr kan monteres, er det vigtigt, at dette tilsluttes og benyttes korrekt.** Brug af dette udstyr nedsætter risikoen for støvrelaterede personskader.
- ### 4. Brug og vedligeholdelse af elværktøj
- a. **Undgå at overbelaste elværktøjet. Brug altid det rette elværktøj til opgaven.** Med det rigtige elværktøj udføres arbejdet lettere og sikrere og i det tempo, som værktøjet er beregnet til.
 - b. **Brug ikke elværktøjet, hvis afbryderen er defekt.** Elværktøj, der ikke kan kontrolleres med afbryderen, er farligt og skal repareres.
 - c. **Træk stikket ud af stikkontakten inden indstilling, tilbehørsudskiftning eller opbevaring af elværktøjet.** Disse sikkerhedsforanstaltninger reducerer risikoen for utilsigtet start af værktøjet.
 - d. **Opbevar ubenyttet elværktøj uden for børns rækkevidde. Lad aldrig personer, der ikke er fortrolige med elværktøj, eller som ikke har gennemlæst disse instruktioner, benytte maskinen.** Elværktøj er farligt, hvis det benyttes af ukyndige personer.

e. **Elværktøj bør vedligeholdes omhyggeligt. Kontroller, om bevægelige dele fungerer korrekt og ikke sidder fast, og om delene er brækket eller beskadiget, således at elværktøjets funktion påvirkes. Få beskadigede dele repareret, inden elværktøjet tages i brug.** Mange uheld skyldes dårligt vedligeholdt elværktøj.

f. **Sørg for, at skæreværktøjer er skarpe og rene.**

Omhyggeligt vedligeholdte skæreværktøjer med skarpe skærekanter sætter sig ikke så hurtigt fast og er nemmere at føre.

g. **Brug elværktøj, tilbehør, indsatsværktøj osv. i overensstemmelse med disse instruktioner, og sådan som det kræves for den pågældende værktøjstype. Tag hensyn til arbejdsforholdene og det arbejde, der skal udføres.** I tilfælde af anvendelse af elværktøjet til formål, som ligger uden for det fastsatte anvendelsesområde, kan der opstå farlige situationer.

5. Service

a. **Sørg for, at elværktøjet kun reparerer af kvalificerede fagfolk, og at der kun benyttes originale reservedele.** Dermed opretholdes elværktøjets sikkerhed.

Elektricitet og sikkerhed



Denne maskine er dobbelt isoleret. Derfor er jordledning ikke nødvendig. Kontroller altid, at strømforsyningen svarer til spændingen på typeskiltet.

Yderligere sikkerhedsforskrifter for ikke-opladelige batterier

- ◆ Forsøg aldrig at åbne uanset årsag.
- ◆ Opbevar ikke på steder, hvor temperaturen kan overstige 40 °C.
- ◆ Følg ved bortskaffelse af batterier vejledningen i afsnittet "Miljø".

Batterierne må ikke bortskaffes i forbrændingsanlæg.

- ◆ Under ekstreme forhold kan der forekomme batterilækage. Hvis du opdager væske på batterierne, skal du gøre følgende:
 - Tør forsigtigt væsken af med en klud. Undgå kontakt med huden.

Yderligere sikkerhedsvejledninger for lasere



Læs hele vejledningen omhyggeligt.



Dette produkt må ikke bruges af børn under 16 år.



Laserstråling.



Se aldrig ind i laserstrålen.



Benyt aldrig optiske redskaber til at se laserstrålen.

- ◆ Denne laser er i overensstemmelse med klasse 2 iht. IEC 60825+A1+A2:2001. Erstat aldrig laserdioden med en anden type. Hvis laseren er beskadiget, skal den reparerer af et autoriseret serviceværksted.
- ◆ Laseren må ikke bruges til andet formål end projektion af laserlinjer.
- ◆ Udsættes øjet for en stråle fra en laser i klasse 2 er dette kun regnet for sikkert i maksimalt 0,25 sekunder. Øjenlågets reflekser vil under normale omstændigheder være tilstrækkelig beskyttelse. Ved afstande på mere end 1 m er laseren i overensstemmelse med klasse 1 og regnes derfor som fuldstændig sikker.
- ◆ Se aldrig direkte og med fuldt overlæg ind i laserstrålen.
- ◆ Benyt aldrig optiske redskaber til at se laserstrålen.
- ◆ Sæt aldrig værktøjet op hvor laserstrålen kan ramme en person i hovedhøjde.
- ◆ Børn må aldrig komme i nærheden af laseren.

Yderligere sikkerhedsvejledninger for stiksav

Advarsel! Berøring af eller indånding af støvpartikler fra skærearbejder kan udgøre en fare for både brugerens og eventuelle tilskuers helbred. Bær en specielt designet støvmaske til beskyttelse mod støv og røg, og sørg for, at personer på eller som indtræder på arbejdsområdet også er beskyttet.

Funktioner

Dette værktøj leveres med nogle eller alle de følgende egenskaber:

1. Greb til trinløs hastighed
2. Spærreknop
3. Afbryder
4. Sidehåndtag
5. Opbevaringsrum til savklinger
6. Turbovælger
7. Låsegreb til sål
8. Sål
9. Støvsugningsadapter
10. Savklinge
11. Støtterulle til savklinge
12. Låsegreb til savklinge
13. Lasermodul (leveres ikke med KS1000NL)

Montering

Advarsel! Sørg for at værktøjet er afbrudt, stikket taget ud og at savklingen er standset inden nogle af de følgende funktioner foretages. Brugte savklinger kan være varme.

Påsatning af savklinge (fig. A)

- ◆ Hold på savklingen (10) som vist, så tænderne vender fremad.
- ◆ Tryk grebet (12) nedad.
- ◆ Sæt savklingens skaft ind i holderen (14) så langt det kan gå ind.
- ◆ Udløs grebet (12).

Montering og afmontering af sidehåndtaget (fig. B)

- ◆ Sidehåndtaget (4) kan tilpasses enten venstre eller højre side af værktøjet.
- ◆ Tilret sidehåndtaget (4) og sæt det på værktøjet. Drej det mod bagenden indtil det låses på plads.
- ◆ Afmonter håndtaget ved at dreje det mod forenden indtil det stopper, hvorefter det trækkes af.

Tilslutning af støvsuger til værktøj (fig. C og D)

- ◆ Fastgør støvudsugningsadapteren (9) til sålen (8) som vist.
- ◆ Sæt støvsugerslangen (medfølger ikke) til adapteren.

Anvendelse

Advarsel! Brug aldrig værktøjet hvis sålen er løs eller afmonteret.

Justering af sålen ved skråsnit (fig. E)

Sålen kan indstilles til en venstre eller højre skråskæring på op til 45°.

- ◆ Drej sålens låsegreb (7) mod uret for at udløse sålen (8).
- ◆ Træk sålen (8) bagud og indstil den ønskede vinkel. Du kan bruge en gradmåler til at kontrollere vinklen.
- ◆ Drej låsegrebet (7) med uret for at låse sålen på plads.

Nulstilling af sålen til lige snit gøres således:

- ◆ Drej låsegrebet (7) mod uret for at udløse sålen (8).
- ◆ Stil sålen (8) til en vinkel på ca. 0° og tryk den fremad.
- ◆ Drej låsegrebet (7) med uret for at låse sålen på plads. Sørg for at sålen er understøttet af styrefinnerne.

Trinløs hastighedskontrol

- ◆ Stil den trinløse hastighedskontrol (1) på det ønskede hastighedsområde. Brug en høj hastighed til træ, en middel hastighed til aluminium og PVC og en lav hastighed til metaller udover aluminium.

Turbovælger

- ◆ Stil turbovælgeren (6) til position 0 for at opnå præcise lige og krumme skæringer og en glat overfladefinish.
- ◆ Stil turbovælgeren (6) til position 2 for at opnå hurtige og effektive lige skæringer i træ.

Start og stop

- ◆ Tænd for værktøjet ved at trykke på tænd/sluk-kontakten (3).
- ◆ Sluk for værktøjet ved at udløse tænd/sluk-kontakten (3).

- ◆ Tryk på spærreknappen (2) og udløs tænd/sluk-kontakten for at opnå konstant funktion.
- ◆ Sluk for værktøjet efter arbejde i konstant funktion ved at trykke på tænd/sluk-kontakten (3) en gang mere for at udløse den.

Betjening af laser (fig. F - I)

(Leveres ikke med KS1000NL)

Isætning af batterier (fig. F)

Afmonter lasermodul (13) fra stiksaven ved at fjerne skruen (15) og trække lasermodul fremad. Isæt to nye alkaliske 1,5 volt AAA-batterier og sørg for at vende de positive (+) og negative (-) poler rigtigt. Sæt lasermodul (13) på igen.

Justering af laseren fra side til side (fig. G)

Bemærk: Laseren er beregnet som en hjælp ved skæringen og garanterer ikke en præcis skæring.

Advarsel! Laseren må ikke justeres mens stiksavens stik sidder i kontakten.

- ◆ Brug laserens justeringskrue (16) til at tilrette laserlinjen med savklingen efter behov.

Laserens synlighed (strøm) reduceres, hvis stiksaven overophedes. Laseren er muligvis ikke synlig, hvis saven er overlastet i længere tid. Laseren synlighed vil langsomt vende tilbage til normal, når værktøjet køler af, også efter at værktøjets stik er taget ud.

Advarsel! Efterlad aldrig kontakten TÆNDT på en overophedet laser. Sørg for at kontakten er SLUKKET og tag batterierne ud, så der ikke er strøm til laseren.

Brug af laser (fig. H og I)

Laseren projekterer skæringslinjen på overfladen af arbejdsmaterialet.

- ◆ Tænd for laseren ved at trykke på knappen (17).
- ◆ Sluk for laseren ved at trykke på knappen (17) igen.

Ved at se ovenfra og ned på stiksaven er det nemt at følge skæringslinjen. Er det af en eller anden grund ikke muligt at se den på denne måde, kan laseren bruges om et alternativt skærestyr.

- ◆ Brug en blyant til at afmærke skæringslinjen.
- ◆ Placér stiksaven over linjen.
- ◆ Tænd for laseren.

Gode råd til optimal brug

Skæring i laminater

Da savklingen skærer opad, kan der forekomme splintring på overfladen nærmest sålen.

- ◆ Brug en savklinge med fine tænder.
- ◆ Skær fra bagsiden af arbejdsmaterialet.

- ◆ Klem et stykke spildtræ eller hardboard på begge sider af materialet og sav gennem denne sandwich for at minimere splintringen.

Skæring i metal

- ◆ Vær opmærksom på, at skæring i metal tager meget længere tid end skæring i træ.
- ◆ Brug en savklinge der egner sig til skæring i metal.
- ◆ Klem et stykke spildtræ til bagsiden af arbejdsmaterialet og sav gennem denne sandwich når der skæres i tynde metalplader.
- ◆ Læg en oliefilm langs den påtænkte skæringslinje.

Tilbehør

Værktøjets præstation afhænger af det anvendte tilbehør. Tilbehør fra Black & Decker og Piranha er fremstillet efter høje kvalitetsstandarder og er designet til at forbedre dit værktøjs præstation. Ved at bruge dette tilbehør vil dit værktøj give dig optimal ydelse.

Dette værktøj kan anvende savklinger med både U-skaft og T-skaft.

Vedligeholdelse

Dit Black & Decker-værktøj er beregnet til at være i drift gennem en længere periode med minimal vedligeholdelse. Fortsat tilfredsstillende drift afhænger af korrekt behandling af værktøjet samt regelmæssig rengøring.

- ◆ Rengør regelmæssigt ventilationsåbningerne med en ren, tør pensel.
- ◆ Brug kun et mildt afspændingsmiddel og en fugtig klud til at rengøre værktøjet. Lad aldrig væske trænge ind i værktøjet, og nedsæk aldrig nogen del af værktøjet i væske.
- ◆ Smør med mellemrum akslen på klingens støtteruller med en dråbe olie.

Miljø



Når dit værktøj er udtjent, eller du ikke længere har brug for det, beskyt da naturen ved ikke at smide det ud sammen med det almindelige affald. Black & Decker-værksteder modtager gammelt Black & Decker-værktøj og sørger for, at det bortskaffes på en miljørigtig måde.



Ved adskilt bortskaftelse af brugte produkter og emballage bliver der mulighed for at genanvende forskellige stoffer. Genanvendelse af stoffer medvirker til at forebygge miljøforurening og mindsker behovet for råstoffer.

Lokal lovgivning kan kræve separat indsamling af elprodukter fra husholdningen, ved kommunale affaldsdepoter eller af den detailhandlende ved køb af et nyt produkt.

Black & Decker sørger for at indsamle og genanvende Black & Decker-produkter, når disse ikke længere kan bruges. Hvis du vil benytte dig af denne service, skal du returnere produktet til et autoriseret værksted, der indsamler produkterne for os.

Kontakt det lokale Black & Decker-kontor på den adresse, som er opgivet i denne vejledning, for at få oplysninger om det nærmeste autoriserede værksted. En liste over alle autoriserede Black & Decker-serviceværksteder samt servicevilkår og kontaktpersoner er tilgængelig på internettet på adressen: www.2helpU.com.



Når batterier er udtjente, skal de bortskaffes under passende hensyntagen til miljøet. Tag batterierne ud af apparatet som beskrevet ovenfor.

- ◆ Anbring batterierne i en egnet emballage for at sikre, at polerne ikke kan kortsluttes.
- ◆ Aflever batterierne på et lokalt opsamlingssted.

Tekniske data

KS1000E/KS1000NL/KS1001E/KS1002E	
Motoreffekt	W 710
Antal slag (uden belastning)	min-1 800-3,200
Maks. skæredybde	
Træ	mm 85
Stål	mm 4
Aluminium	mm 10

EU overensstemmelseserklæring

KS1000E/KS1000NL/KS1001E/KS1002E

Black & Decker erklærer, at disse produkter er i overensstemmelse med følgende:

98/37/EU, 89/336/EØF, EN 60745, EN 55014, EN61000,

IEC 60825+A1+A2:2001

L_{pA} (lydtryk) 88 dB(A),

L_{WA} (lydintensitet) 99 dB(A),

hånd/arm vægtet vibration $<6,3 \text{ m/s}^2$

K_{pa} (lydtryksusikkerhed 3 dB(A),

K_{wa} (lydeffektusikkerhed 3 dB(A),

Kevin Hewitt
Director of Consumer Engineering
Spennymoor, County Durham
DL16 6JG,
Storbritannien
30-06-2006

Garanti

Black & Decker garanterer, at produktet er frit for materielle skader og/eller fabrikationsfejl ved levering til kunden.

Garantien er et tillæg til forbrugers lovsikrede rettigheder og påvirker ikke disse. Garantien gælder inden for medlemsstaterne af den Europæiske Union og i det Europæiske Frihandelsområde.

Hvis et Black & Decker-produkt går i stykker på grund af materiel skade og/eller fabrikationsfejl eller på anden måde ikke fungerer i overensstemmelse med specifikationen inden for 24 måneder fra købsdatoen, påtager Black & Decker sig at reparere eller ombytte produktet med mindst mulig ulempe for kunden. Garantien gælder ikke for fejl og mangler, der er sket i forbindelse med:

- ◆ normal slitage
- ◆ uheldige følger efter unormal anvendelse af værktøjet
- ◆ overbelastning, hærværk eller overdrevent intensiv brug af værktøjet eller ulykkehændelse
- ◆ Garantien gælder ikke, hvis reparationer er udført af nogen anden end et autoriseret Black & Decker-værksted.

For at udnytte garantien skal produktet og købskvitteringen indleveres til forhandleren eller til et autoriseret værksted.

Kontakt det lokale Black & Decker-kontor på den adresse, som er opgivet i denne vejledning, for at få oplysninger om det nærmeste autoriserede værksted. En liste over alle autoriserede Black & Decker-serviceværksteder samt servicevilkår er tilgængelig på internettet på adressen:

www.2helpU.com

Gå venligst ind på vores website

www.blackanddecker.dk for at registrere dit nye produkt og for at blive holdt ajour om nye produkter og specialtilbud.

Der findes yderligere oplysninger om mærket Black & Decker og vores produktsortiment på adressen

www.blackanddecker.dk.

Käyttötarkoitukset

Black & Decker -pistosaha on suunniteltu puun, muovin ja ohuiden metallilevyjen sahaamiseen. Kone on tarkoitettu kotikäyttöön.

Yleiset turvallisuutta koskevat säännöt

Kaikki ohjeet täytyy lukea. Alla olevien ohjeiden noudattamisen laiminlyönti saattaa johtaa sähköiskun, tulipaloon ja/tai vakavaan loukkaantumiseen. Seuraavassa käytetyllä käsitteellä ”sähkötyökalu” tarkoitetaan verkkokäyttöisiä sähkötyökaluja (verkkojohdolla) ja akkukäyttöisiä sähkötyökaluja (ilman verkkojohtoa). SÄILYTÄ NÄMÄ OHJEET HYVIN.

1. Työalue

- Pidä työalue puhtaana ja hyvin valaistuna.** Työpaikan epäjärjestys ja valaisemattomat työalueet voivat johtaa tapaturmiin.
- Älä työskentele sähkötyökalulla räjähdysalttiissa ympäristössä, jossa on palavaa nestettä, kaasua tai pölyä.** Sähkötyökalu muodostaa kipinöitä, jotka saattavat sytyttää pölyn tai höyryt.
- Pidä lapset ja sivulliset loitolla sähkötyökalua käytettäessä.** Voit menettää laitteesi hallinnan huomiosi suuntautuessa muualle.

2. Sähköturvallisuus

- Sähkötyökalun pistotulpan tulee sopia pistorasiaan. Pistotulppaa ei saa muuttaa millään tavalla. Älä käytä mitään pistorasia-adaptoreita maadoitettujen sähkötyökalujen kanssa.** Alkuperäisessä kunnossa olevat pistotulpat ja sopivat pistorasiat vähentävät sähköiskun vaaraa.
- Vältä koskettamasta maadoitettuja pintoja, kuten putkia, pattereita, liesiä tai jääkaappeja.** Sähköiskun vaara kasvaa, jos kehosi on maadoitettu.
- Älä altista sähkötyökalua sateelle tai kosteudelle.** Veden tunkeutuminen sähkötyökalun sisään kasvattaa sähköiskun riskiä.
- Älä käytä verkkojohtoa väärin. Älä käytä sitä sähkötyökalun kantamiseen, vetämiseen tai pistotulpan irrottamiseen pistorasiasta. Pidä johto loitolla kuumuudesta, öljystä, terävistä reunoista ja liikkuvista osista.** Vahingoittuneet tai sokeutuneet johdot kasvattavat sähköiskun vaaraa.
- Käyttäessäsi sähkötyökalua ulkona käytä ainoastaan ulkokäyttöön soveltuvaa jatkojohtoa.** Ulkokäyttöön soveltuvan jatkojohdon käyttö pienentää sähköiskun vaaraa.

3. Henkilöturvallisuus

- Ole valpas, kiinnitä huomiota työskentelyysi ja noudata tervettä järkeä sähkötyökalua käytettäessä. Älä käytä sähkötyökalua, jos olet väsynyt tai huumeiden, alkoholin tai lääkkeiden vaikutuksen alaisena.** Hetken tarkkaamattomuus sähkötyökalua käytettäessä saattaa johtaa vakavaan loukkaantumiseen.
 - Käytä suojavarusteita. Käytä aina suojalaseja.** Suojavarusteet, kuten pölynsuojanaamari, luistamattomat turvajalkineet, kypärä ja kuulosuojaimet, pienentävät oikein käytettyinä loukkaantumisriskiä.
 - Vältä sähkötyökalun tahatonta käynnistämistä. Varmista, että kytkin on off-asennossa ennen kytkennän tekemistä.** Onnettomuusvaara lisääntyy, jos annat sähkötyökalua sormi käyttökytkimellä tai kytket työkalun virtajohdon pistorasiaan, kun käyttökytkin on päällä.
 - Poista kaikki säätötyökalut ja ruuvitaltat, ennen kuin käynnistät sähkötyökalun.** Työkalu tai avain, joka sijaitsee laitteen pyörivässä osassa, saattaa aiheuttaa loukkaantumisen.
 - Älä kirkota. Seiso aina tukevasti ja tasapainossa.** Täten voit paremmin hallita sähkötyökalua odottamattomissa tilanteissa.
 - Käytä tarkoitukseen sopivia vaatteita. Älä käytä löysiä työvaatteita tai koruja. Pidä hiukset, vaatteet ja käsineet loitolla liikkuvista osista.** Väljät vaatteet, korut ja pitkät hiukset voivat takertua liikkuviin osiin.
 - Jos pölynimu- tai -keräilylaitteita voidaan asentaa työkaluun, sinun pitää tarkistaa, että ne on liitetty ja että niitä käytetään oikealla tavalla.** Näiden laitteiden käyttö vähentää pölyn aiheuttamia vaaroja.
- ### 4. Sähkötyökalujen käyttö ja hoito
- Älä ylikuormita laitetta. Käytä kyseiseen työhön tarkoitettua sähkötyökalua.** Sopivaa sähkötyökalua käyttäen työskentelet paremmin ja varmemmin tehoalueella, jolle sähkötyökalu on tarkoitettu.
 - Älä käytä sähkötyökalua, jota ei voida käynnistää ja pysäyttää virtakytkimestä.** Sähkötyökalu, jota ei enää voida käynnistää ja pysäyttää käynnistyskytkimestä, on vaarallinen, ja se täytyy korjata.
 - Irrota pistotulppa pistorasiasta, ennen kuin suoritat säätöjä, vaihdat tarvikkeita tai siirät sähkötyökalun varastoitavaksi.** Nämä turvatoimenpiteet pienentävät sähkötyökalun tahattoman käynnistyksen riskiä.
 - Säilytä sähkötyökalut poissa lasten ulottuvilta, kun niitä ei käytetä. Älä anna sellaisten henkilöiden käyttää sähkötyökalua, jotka eivät tunne sitä tai jotka eivät ole lukeneet tätä käyttöohjetta.** Sähkötyökalut ovat vaarallisia, jos niitä käyttävät kokemattomat henkilöt.

- e. Hoida sähkötyökalusi huolella. Tarkista, että liikkuvat osat toimivat moitteettomasti eivätkä ole puristuksessa ja että työkalussa ei ole murtuneita tai vahingoittuneita osia, jotka saattaisivat vaikuttaa haitallisesti sen toimintaan. Korjauta mahdolliset viat ennen käyttöönottoa.** Moni tapaturma aiheutuu huonosti huolletuista laitteista.
- f. Pidä leikkausterät terävinä ja puhtaina.** Huolellisesti hoidetut leikkaustyökalut, joiden leikkausreunat ovat teräviä, eivät tartu helposti kiinni, ja niitä on helpompi hallita.
- g. Käytä sähkötyökaluja, tarvikkeita, vaihtotyökaluja jne. näiden ohjeiden mukaisesti ja tavalla, joka on tarkoitettu erityisesti kyseiselle sähkötyökalulle. Ota tällöin huomioon työolosuhteet ja suoritettava toimenpide.** Sähkötyökalun käyttö muuhun kuin sille määrättyyn tarkoitukseen saattaa johtaa vaarallisiin tilanteisiin.
- 5. Huolto**
- a. Anna koulutettujen ja ammattitaitoisten henkilöiden korjata sähkötyökalusi ja hyväksy korjauksiin vain alkuperäisiä varaosia.** Täten varmistat, että sähkötyökalu säilyy turvallisena.

Sähköturvallisuus



Tämä laite on kaksoiseristetty; siksi erillistä maadoitusta ei tarvita. Tarkista aina, että virtälähde vastaa arvokilvessä ilmoitettua jännitettä.

Lisäturvaohjeet kertakäyttöparistoille

- Älä koskaan yritä avata paristoja.
- Älä säilytä paristoja tiloissa, joissa lämpötila voi nousta yli 40 °C:seen.
- Noudata paristoja hävittäessäsi kohdassa "Ympäristönsuojelu" annettuja ohjeita.

Älä hävitä paristoja polttamalla.

- Vaativissa oloissa voi ilmetä paristovuotoja. Jos huomaat nestettä paristojen pinnalla, toimi seuraavasti:
 - Pyyhi neste varovasti pois liinalla. Vältä ihokosketusta.

Lisäturvaohjeet lasereille



Lue tämä käyttöohje huolellisesti.



Tätä tuotetta ei ole tarkoitettu alle 16-vuotiaiden lasten käyttöön.



Lasersäteily



Älä katso lasersäteeseen.

Älä katso lasersädettä optisilla välineillä.

- Tämä on standardin IEC 60825+A1+A2:2001 mukaan luokan 2 laseriläite. Älä vaihda laserdiodia muuntotyypiseen. Jos laser on vioittunut, korjauta se valtuutetussa huoltokorjaamossa.
- Älä käytä laseria muuhun kuin laserinjojen merkitsemiseen.
- Silmän altistumisen luokan 2 lasersäteelle katsotaan olevan turvallista enintään 0,25 sekunnin ajan. Silmäluomen refleksit tarjoavat yleensä riittävän suojan. Yli 1 metrin etäisyydellä laser on luokan 1 mukainen, joten sen katsotaan olevan täysin turvallinen.
- Älä koskaan katso lasersädettä suoraan ja tarkoituksellisesti.
- Älä katso lasersädettä optisilla välineillä.
- Älä aseta työkalua siten, että lasersäde voi osua henkilöihin päin korkeudella.
- Älä anna lasten tulla laserin lähelle.

Lisäturvaohjeet pistosahoilte

Varoituis! Leikatessa syntyvän pölyn kanssa kosketuksiin joutuminen tai sen hengittäminen saattaa olla haitallista käyttäjän tai lähellä olijoiden terveydelle. Käytä kasvosuojusta, joka on erityisesti tarkoitettu suojaamaan pölyltä ja höyryiltä, ja varmista, että kaikki työalueella olevat ja sinne tulevat henkilöt käyttävät suojavarusteita.

Yleiskuvaus

Tässä työkalussa on joitakin tai kaikki seuraavista ominaisuuksista:

1. Nopeudensäätönappi
2. Lukituspainike
3. Virrankatkaisija
4. Sivukahva
5. Sahanterien säilytyslokero
6. Turboalitsin
7. Jalustalevyn lukitusnappi
8. Jalustalevy
9. Pölynimurisovitin
10. Sahanteriä
11. Sahanterän vastinrulla
12. Sahanterän lukitusvipu
13. Lasermoduuli (ei toimiteta KS1000NL:n mukana)

Kokoaminen

Varoituis! Ennen kuin yrität suorittaa mitään seuraavista toimenpiteistä, varmista, että työkalun virta on katkaistu, sähköpistoke on irrotettu sähköverkosta ja sahanteriä on pysähtynyt. Käytössä olleet sahanterät voivat olla kuumia.

Sahanterän kiinnitys (kuva A)

- Pidä sahanteriä (10) kuvassa näytetyllä tavalla hampaat eteenpäin.
- Paina vipua (1) alaspäin.

- ◆ Työnnä sahanterän varsi teränpitimeen (14) niin pitkälle kuin se menee.
- ◆ Vapauta vipu (12).

Sivukahvan kiinnittäminen ja irrottaminen (kuva B)

- ◆ Sivukahva (4) voidaan kiinnittää työkalun vasemmalle tai oikealle puolelle.
- ◆ Kohdista ja työnnä sivukahva (4) työkalussa olevaan paikkaan ja kierrä sitä, kunnes se lukittuu paikalleen.
- ◆ Poista sivukahva kiertämällä sitä eteenpäin, kunnes se pysähtyy, ja vedä se ulos paikasta.

Pölynimurin liittäminen työkaluun (kuvat C ja D)

- ◆ Liitä pölynimurisovitin (9) jalustalevyyn (8) kuvassa osoitetulla tavalla.
- ◆ Kiinnitä pölynimurin letku (ei toimitettu mukana) sovittimeen.

Käyttö

Varoitus! Älä koskaan käytä työkalua, kun jalustalevy on löysällä tai irrotettu.

Jalustalevyn säätäminen viistosahausta varten (kuva E)

Jalustalevy voidaan kääntää vasempaan tai oikeaan enintään 45° viistoon kulmaan.

- ◆ Vapauta jalustalevy (8) kiertämällä jalustalevyn lukitusnuppia (7) vastapäivään.
- ◆ Vedä jalustalevyä (8) taaksepäin ja säädä se haluttuun kulmaan. Voit tarkistaa kulman astelevyn avulla.
- ◆ Lukitse jalustalevy paikalleen kiertämällä lukitusnuppia (7) myötäpäivään.

Jalustalevyn asennon palauttaminen suoria sahauskia varten:

- ◆ Vapauta jalustalevy (8) kiertämällä lukitusnuppia (7) vastapäivään.
- ◆ Säädä jalustalevy (8) noin 0°:n kulmaan ja työnnä sitä eteenpäin.
- ◆ Lukitse jalustalevy paikalleen kiertämällä lukitusnuppia (7) myötäpäivään. Varmista, että ohjausrivat tukevat jalustalevyä.

Nopeudensäätö

- ◆ Kierrä nopeudensäätönappi (1) halutulle nopeusalueelle. Saha puuta suurimmalla nopeudella, alumiinia ja PVC:tä keskinopeudella ja muita metalleja hitaalla nopeudella.

Turbovalitsin

- ◆ Aseta turbovalitsin (6) tarkkaa suoraa ja kaarevaa sahausta ja pehmeitä pintoja varten asentoon 0.
- ◆ Aseta turbovalitsin (6) nopeaa ja tehokasta puun sahausta varten asentoon 2.

Käynnistys ja pysäytys

- ◆ Käynnistä laite painamalla virtakytkintä (3).
- ◆ Sammuta laite vapauttamalla virtakytkin (3).
- ◆ Jatkuvaa käyttöä varten paina lukituspainiketta (2) ja vapauta virtakytkin.
- ◆ Sammuta työkalu jatkuvan käytön jälkeen painamalla kerran virtakytkintä (3) ja vapauttamalla se.

Laserin käyttö (kuvat F– I)

(Ei toimiteta laitteen KS1000NL mukana)

Paristojen asentaminen (kuva F)

Irrota lasermoduuli (13) pistosahasta poistamalla ruuvi (15) ja työntämällä lasermoduulia eteenpäin. Aseta kaksi uutta 1,5 voltin AAA-alkaliparistoa ja varmista, että paristojen (+)- ja (-)-navat ovat oikein päin. Kiinnitä lasermoduuli (13) takaisin.

Laserin säätäminen rinnakkain (kuva G)

Huomautus: Laser on tarkoitettu avustamaan sahauskassa. Se ei takaa tarkkaa sahausjälkeä.

Varoitus! Älä säädä laseria, kun pistosaha on kiinni sähköverkossa.

- ◆ Säädä tarvittaessa laserinlinjan suuntaiseksi laserin säätöruuvien (16) avulla.

Lasersäteen näkyvyys (teho) heikkenee, jos pistosaha ylikuumentee. Lasersäde ei ehkä näy, jos sahaa on ylikuormitettu pitkäkestoisesti. Lasersäteen näkyvyys palaa hitaasti normaaliiksi, kun työkalu jäähtyy, vaikka työkalu ei ole kiinni verkossa.

Varoitus! Älä jätä ylikuumentunutta laseria päälle. Varmista, että kytkin on asennossa OFF, ja katkaise laserin virta poistamalla paristot.

Laserin käyttäminen (kuvat H–I)

Laser heijastaa sahauslinjan työkappaleen pintaan.

- ◆ Käynnistä laser painamalla painiketta (17).
- ◆ Sammuta laser painamalla painiketta (17) uudelleen.

Linjaa voi helposti seurata katsomalla sitä suoraan pistosahan yläpuolelta. Jos tämä näkyvä on jostakin syystä peittynyt, laseria voidaan käyttää vaihtoehtoisena sahausohjaimena.

- ◆ Merkitse sahauslinja lyijykynällä.
- ◆ Aseta pistosaha viivan yläpuolelle.
- ◆ Käynnistä laser.

Vinkkejä parhaimman tuloksen saamiseksi

Laminaattien sahaaminen

Koska sahanterä leikkaa ylöspäin suuntautuvalla vedolla, jalustalevyn puolella oleva pinta voi säilyttyä.

- ◆ Käytä pienihampaista sahanterää.
- ◆ Sahaa työkappaletta taustapuolelta.

- ◆ Minimoi säilytyminen puristamalla palat hukkapuuta tai kovalevyä työkappaleen molemmille puolille ja sahaa kaikkien kerrosten läpi.

Metallin sahaaminen

- ◆ Ota huomioon, että metallin sahaaminen kestää pitempään kuin puun.
- ◆ Käytä metallin sahaamiseen sopivaa sahanterää.
- ◆ Kun sahaat ohutta metalliarkkia, purista palat hukkapuuta työkappaleen molemmille puolille ja sahaa kaikkien kerrosten läpi.
- ◆ Levitä ohut kerros öljyä aiotulle sahauslinjalle.

Lisävarusteet

Työkalan suorituskyky riippuu käytetyistä lisävarusteista. Black & Decker- ja Piranha-lisävarusteet on valmistettu korkealaatuiseksi ja suunniteltu parantamaan työkalun suorituskykyä. Käyttämällä näitä lisävarusteita saat työkalusta mahdollisimman paljon hyötyä.

Tämä työkalu sopii sekä U- että T-vartisille sahanterille.

Huolto

Black & Decker -työkalu on suunniteltu toimimaan mahdollisimman pitkän aikaa mahdollisimman vähällä huollolla. Oikealla huollolla ja säännöllisellä puhdistuksella kone säilyttää suorituskykynsä.

- ◆ Puhdista ilma-aukot säännöllisesti puhtaalla, kuivalla maalisiveltimellä.
- ◆ Käytä työkalun puhdistukseen vain mietoa saippualluosta ja kosteaa kangasta. Älä koskaan päästä nesteitä valumaan työkalun sisään. Älä koskaan upota mitään työkalun osaa nesteeseen.
- ◆ Tiputa ajoittain tippa öljyä terän vastinrullan akselille.

Ympäristö



Kun työkalusi aikanaan täytyy vaihtaa tai ei kelpaa enää käyttöön, ota huomioon ympäristötekijät. Black & Deckerin valtuutetut huoltoliikkeet ottavat vastaan Black & Decker -työkaluja ja varmistavat, että ne hävitetään ympäristöystävällisesti.



Käytettyjen tuotteiden ja pakkausmateriaalien erilliskeruun avulla materiaalit voidaan kierrättää ja käyttää uudelleen. Kierrätysmateriaalien käyttö auttaa vähentämään ympäristön saastumista ja uusien raaka-aineiden tarvetta.

Paikallisissa säädöksissä voidaan määrätä, että kodin sähkötuotteiden keruu tapahtuu kaupunkien jätteidenkäsittelyasemilla tai laitteita myyvissä liikkeissä uuden tuotteen oston yhteydessä.

Kun koneesi on käytetty loppuun, älä heitä sitä tavallisten roskien mukana pois, vaan vie se paikkakuntasi kierrätyskeskukseen tai jätä valtuutettuun Black & Deckerin huoltoliikkeeseen.

Tiedot valtuutetuista huoltoliikkeistä saa ottamalla yhteyttä Black & Decker Oy:hyn sekä Internetistä osoitteesta www.2helpU.com.



Hävität loppuun kuluneet paristot ympäristöystävällä tavalla. Poista paristot yllä kuvatulla tavalla.

- ◆ Pakkaa paristot niin, että navat eivät aiheuta oikosulkuja.
- ◆ Vie paristot paikalliseen kierrätyspisteeseen.

Tekniset tiedot

	KS1000E/KS1000NL/KS1001E/KS1002E
Ottoteho	W 710
Vetojen määrä (kuormittamattomana)	min-1 800-3,200
Suurin sahausvyvyys	
puu	mm 85
teräs	mm 4
alumiini	mm 10

EU:n yhdenmukaisuusilmoitus

KS1000E/KS1000NL/KS1001E/KS1002E
 Black & Decker vakuuttaa näiden tuotteiden olevan seuraavien standardien vaatimusten mukaiset:
 98/37/EY, 89/336/ETY, EN 60745, EN 55014, EN61000, IEC 60825+A1+A2:2001
 L_{pA} (äänenpaine) 88 dB(A),
 L_{WA} (akustinen teho) 99 dB(A),
 käden/käsivarren painotettu värinä $<6,3 \text{ m/s}^2$
 K_{pa} (äänenpaineen epävarmuus) 3 dB(A),
 K_{wa} (äänenpaineen epävarmuus) 3 dB(A),

K. Hewitt

Kevin Hewitt
 Director of Consumer Engineering
 Spennymoor, County Durham
 DL16 6JG,
 Iso-Britannia
 30-06-2006

Takuu

Black & Decker Oy takaa, ettei koneessa ollut materiaali- ja/ tai valmistusvikaa silloin, kun se toimitettiin ostajalle. Takuu on lisäys kuluttajan laillisiin oikeuksiin eikä vaikuta niihin. Takuu on voimassa Euroopan unionin jäsenmaissa ja Euroopan vapaakauppa-alueella (EFTA).

Mikäli Black & Decker -kone hajoaa materiaali- ja/ tai valmistusvirheen tai teknisten tietojen epätarkkuuden vuoksi 24 kk:n kuluessa ostopäivästä, Black & Decker korjaa koneen ilman kustannuksia ostajalle tai vaihtaa sen Black & Decker Oy:n valinnan mukaan. Takuu ei kata vikoja, jotka johtuvat koneen

- ◆ normaalista kulumisesta
- ◆ ylikuormituksesta, virheellisestä käytöstä tai hoidosta
- ◆ vahingoittamisesta vieraalla esineellä tai aineella tai onnettomuustapauksessa.
- ◆ Takuu ei ole voimassa, mikäli konetta on korjannut joku muu kuin Black & Deckerin valtuuttama huoltoliike.

Edellytyksenä takuun saamiselle on, että ostaja jättää koneen ja ostokuitin jälleenmyyjälle tai valtuutetulle huoltoliikkeelle viimeistään 2 kuukauden kuluessa vian ilmenemisestä. Tiedot valtuutetuista huoltoliikkeistä saa ottamalla yhteyttä Black & Decker Oy:hyn sekä Internetistä osoitteesta

www.2helpU.com, jossa on myös takuehdot.

Voit vierailla verkkosivuillamme **www.blackanddecker.fi** rekisteröidäksesi uuden Black & Decker -tuotteesi ja saadaksesi tietoa uusista tuotteista ja erikoistarjouksista.

Saat lisätietoja Black & Deckerin tavaramerkistä ja tuotevalikoimastamme osoitteesta

www.blackanddecker.fi.

Ενδεδειγμένη χρήση

Η σέγα Black & Decker έχει σχεδιαστεί για το πριόνισμα ξύλου, πλαστικών και μεταλλικών ελασμάτων. Αυτό το εργαλείο προορίζεται μόνο για ερασιτεχνική χρήση.

Γενικοί κανόνες ασφαλείας

Διαβάστε όλες τις οδηγίες. Η μη τήρηση όλων των παρακάτω υποδείξεων μπορεί να προκαλέσει ηλεκτροπληξία, πυρκαγιά ή/και σοβαρούς τραυματισμούς. Ο χαρακτηρισμός "ηλεκτρικό εργαλείο" που χρησιμοποιείται σε όλες τις παρακάτω προειδοποιητικές υποδείξεις αφορά τα εργαλεία που συνδέονται στην πρίζα (με καλώδιο) ή τα εργαλεία που λειτουργούν με μπαταρία (χωρίς καλώδιο).

ΦΥΛΑΞΤΕ ΑΥΤΕΣ ΤΙΣ ΟΔΗΓΙΕΣ

1. **Χώρος εργασίας**
 - α. **Διατηρείτε το χώρο που εργάζεστε καθαρό και καλά φωτισμένο.** Η αταξία στο χώρο που εργάζεστε και τα σημεία χωρίς καλό φωτισμό μπορεί να οδηγήσουν σε ατυχήματα.
 - β. **Μη χρησιμοποιείτε ηλεκτρικά εργαλεία σε περιβάλλον όπου υπάρχει κίνδυνος έκρηξης, π.χ. παρουσία εύφλεκτων υγρών, αερίων ή σκόνης.** Τα ηλεκτρικά εργαλεία μπορεί να δημιουργήσουν σπινθηρισμό ο οποίος μπορεί να αναφλέξει τη σκόνη ή τις αναθυμιάσεις.
 - γ. **Όταν χρησιμοποιείτε το ηλεκτρικό εργαλείο, κρατάτε τα παιδιά και τα υπόλοιπα άτομα μακριά από το χώρο που εργάζεστε.** Σε περίπτωση που άλλα άτομα αποσπάσουν την προσοχή σας μπορεί να χάσετε τον έλεγχο του μηχανήματος.
2. **Ασφαλής χρήση του ηλεκτρικού ρεύματος**
 - α. **Το φως του καλωδίου του ηλεκτρικού εργαλείου πρέπει να ταιριάζει στην αντίστοιχη πρίζα. Δεν επιτρέπεται με κανένα τρόπο η μετασκευή του φως. Μη χρησιμοποιείτε προσαρμοστικά φως στα γειωμένα ηλεκτρικά εργαλεία.** Τα φως που δεν έχουν υποστεί τροποποιήσεις και οι κατάλληλες πρίζες μειώνουν τον κίνδυνο ηλεκτροπληξίας.
 - β. **Αποφύγετε την επαφή του σώματός σας με γειωμένες επιφάνειες όπως σωλήνες, θερμαντικά σώματα (καλοριφέρ), κουζίνες και ψυγεία.** Όταν το σώμα σας είναι γειωμένο, αυξάνεται ο κίνδυνος ηλεκτροπληξίας.
 - γ. **Μην εκθέτετε το ηλεκτρικό εργαλείο στη βροχή ή την υγρασία.** Η διείσδυση νερού στο ηλεκτρικό εργαλείο αυξάνει τον κίνδυνο ηλεκτροπληξίας.
3. **Ασφάλεια προσώπων**
 - α. **Όταν χρησιμοποιείτε το ηλεκτρικό εργαλείο, να είστε προσεκτικοί, να δίνετε προσοχή στην εργασία που κάνετε και να επιστρατεύετε την κοινή λογική. Μη χρησιμοποιείτε το ηλεκτρικό εργαλείο όταν είστε κουρασμένοι ή όταν βρίσκεστε υπό την επίρεια ναρκωτικών, οινοπνεύματος ή φαρμάκων.** Μια στιγμιαία απροσεξία κατά το χειρισμό του ηλεκτρικού εργαλείου μπορεί να οδηγήσει σε σοβαρούς τραυματισμούς.
 - β. **Να χρησιμοποιείτε εξοπλισμό ασφαλείας. Να φοράτε πάντα προστατευτικά γυαλιά.** Ο κίνδυνος τραυματισμών μειώνεται όταν χρησιμοποιείτε εξοπλισμό ασφαλείας, όπως μάσκα προστασίας από σκόνη, αντιολισθητικά παπούτσια ασφαλείας, κράνη ή waistpιδες, ανάλογα με τις συνθήκες εργασίας.
 - γ. **Αποφύγετε την αθέλητη θέση σε λειτουργία του ηλεκτρικού εργαλείου. Βεβαιωθείτε ότι ο διακόπτης λειτουργίας βρίσκεται στη θέση "OFF" πριν συνδέσετε το ηλεκτρικό εργαλείο στην πρίζα.** Αν μεταφέρετε το ηλεκτρικό εργαλείο έχοντας το δάκτυλό σας πάνω στο διακόπτη λειτουργίας ή αν συνδέσετε το ηλεκτρικό εργαλείο στην πρίζα όταν ο διακόπτης λειτουργίας βρίσκεται στη θέση "ON", αυτό μπορεί να οδηγήσει σε σοβαρούς τραυματισμούς.
 - δ. **Πριν θέσετε το ηλεκτρικό εργαλείο σε λειτουργία, αφαιρέστε τυχόν εργαλεία ή κλειδιά ρύθμισης.** Ένα εργαλείο ή κλειδί συναρμολογημένο στο περιστρεφόμενο εξάρτημα ενός ηλεκτρικού εργαλείου μπορεί να προκαλέσει τραυματισμούς.
 - ε. **Μην τεντώνεστε. Φροντίστε να έχετε πάντοτε την κατάλληλη στάση και να διατηρείτε την ισορροπία σας.** Αυτό σας επιτρέπει τον καλύτερο έλεγχο του ηλεκτρικού εργαλείου σε περιπτώσεις απροσδόκτων καταστάσεων.
- δ. **Μην κακομεταχειρίζεστε το καλώδιο. Μη χρησιμοποιήσετε ποτέ το καλώδιο για να μεταφέρετε, να τραβήξετε ή να αποσυνδέσετε το εργαλείο από την πρίζα. Κρατάτε το καλώδιο μακριά από υψηλές θερμοκρασίες, λάδια, κοφτερές ακμές ή κινούμενα εξαρτήματα.** Τυχόν χαλασμένα ή μπερδεμένα καλώδια αυξάνουν τον κίνδυνο ηλεκτροπληξίας.
- ε. **Όταν χρησιμοποιείτε το ηλεκτρικό εργαλείο σε εξωτερικούς χώρους, να χρησιμοποιείτε πάντοτε καλώδια προέκτασης (μπαλαντέζες) που έχουν εγκριθεί για χρήση σε εξωτερικούς χώρους.** Η χρήση καλωδίων προέκτασης εγκεκριμένων για εργασία σε εξωτερικούς χώρους μειώνει τον κίνδυνο ηλεκτροπληξίας.

- στ. Φοράτε κατάλληλη ενδυμασία εργασίας. Μη φοράτε φαρδιά ρούχα ή κοσμήματα. Κρατάτε τα μαλλιά, τα ενδύματα και τα γάντια σας μακριά από τα κινούμενα εξαρτήματα. Τα φαρδιά ρούχα, τα κοσμήματα και τα μακριά μαλλιά μπορεί να εμπλακούν στα κινούμενα εξαρτήματα.
- ζ. **Αν προβλέπονται διατάξεις απαγωγής και συλλογής της σκόνης, βεβαιωθείτε ότι είναι συνδεδεμένες και ότι χρησιμοποιούνται σωστά.** Η χρήση τέτοιων διατάξεων μειώνει τους κινδύνους που προέρχονται από τη σκόνη.
4. Χρήση και συντήρηση του ηλεκτρικού εργαλείου
- α. **Μην υπερφορτώνετε το ηλεκτρικό εργαλείο. Χρησιμοποιείτε για την εκάστοτε εργασία σας το ηλεκτρικό εργαλείο που προορίζεται γι' αυτήν.** Με το κατάλληλο ηλεκτρικό εργαλείο εργάζεστε καλύτερα και ασφαλέστερα στην ονομαστική περιοχή ισχύος του.
- β. **Μη χρησιμοποιήσετε ποτέ ένα ηλεκτρικό εργαλείο του οποίου ο διακόπτης λειτουργίας είναι χαλασμένος.** Ένα ηλεκτρικό εργαλείο του οποίου η λειτουργία δεν μπορεί να ελεγχθεί με το διακόπτη είναι επικίνδυνο και πρέπει να επισκευαστεί.
- γ. **Βγάλτε το φως από την πρίζα πριν διεξάγετε κάποια εργασία ρύθμισης στο ηλεκτρικό εργαλείο, πριν αλλάξετε κάποιο εξάρτημα ή όταν πρόκειται να το αποθηκεύσετε.** Αυτά τα προληπτικά μέτρα ασφαλείας μειώνουν τον κίνδυνο να τεθεί το εργαλείο αθέλητα σε λειτουργία.
- δ. **Να φυλάτε τα ηλεκτρικά εργαλεία που δεν χρησιμοποιείτε μακριά από παιδιά. Μην αφήνετε άτομα που δεν είναι εξοικειωμένα με το ηλεκτρικό εργαλείο ή που δεν έχουν διαβάσει αυτές τις οδηγίες χρήσης να το χρησιμοποιήσουν.** Τα ηλεκτρικά εργαλεία είναι επικίνδυνα όταν χρησιμοποιούνται από άπειρα άτομα.
- ε. **Να συντηρείτε τα ηλεκτρικά εργαλεία. Ελέγξτε εάν τα κινούμενα μέρη είναι σωστά ευθυγραμμισμένα ή αν έχουν μπλοκάρει, εάν έχουν σπάσει κομμάτια και αν πληρούνται όλες οι υπόλοιπες συνθήκες που ενδεχομένως να επηρεάσουν τη σωστή λειτουργία του εργαλείου. Δώστε τυχόν χαλασμένα εξαρτήματα του ηλεκτρικού εργαλείου για επισκευή πριν το χρησιμοποιήσετε πάλι.** Η ανεπαρκής συντήρηση των ηλεκτρικών εργαλείων αποτελεί αιτία πολλών ατυχημάτων.
- στ. **Διατηρείτε τα κοπτικά εργαλεία κοφτερά και καθαρά.** Τα κοπτικά εργαλεία με αιχμηρά κοπτικά άκρα που συντηρούνται σωστά έχουν λιγότερες πιθανότητες να μπλοκάρουν και ελέγχονται ευκολότερα.

- ζ. **Να χρησιμοποιείτε τα ηλεκτρικά εργαλεία, τα εξαρτήματα και τα άκρα των εργαλείων κ.λπ. σύμφωνα με τις παρούσες οδηγίες καθώς και όπως προβλέπεται για τον κάθε τύπο εργαλείου, λαμβάνοντας υπόψη σας τις συνθήκες εργασίας και την εργασία που θέλετε να εκτελέσετε.** Η χρήση του ηλεκτρικού εργαλείου για άλλες εκτός από τις προβλεπόμενες εργασίες μπορεί να δημιουργήσει επικίνδυνες καταστάσεις.

5. Σέρβις

- α. **Το σέρβις του ηλεκτρικού σας εργαλείου πρέπει να αναλαμβάνει έμπειρος τεχνικός που θα χρησιμοποιεί μόνο γνήσια ανταλλακτικά.** Έτσι εξασφαλίζεται η διατήρηση της ασφάλειας του ηλεκτρικού εργαλείου.

Ασφαλής χρήση του ηλεκτρικού ρεύματος



Αυτό το εργαλείο φέρει διπλή μόνωση, επομένως δεν απαιτείται σύρμα γείωσης. Ελέγχετε πάντοτε αν η τάση τροφοδοσίας αντιστοιχεί σε αυτήν που αναγράφεται στην πινακίδα στοιχείων του εργαλείου.

Επιπρόσθετες πληροφορίες ασφαλείας για τις μη επαναφορτιζόμενες μπαταρίες

- ♦ Μην επιχειρήσετε ποτέ να ανοίξετε τις μπαταρίες για οποιοδήποτε λόγο.
- ♦ Μην φυλάσσετε τις μπαταρίες σε μέρη όπου η θερμοκρασία μπορεί να υπερβεί τους 40 °C.
- ♦ Όταν απορρίπτετε τις μπαταρίες, ακολουθήστε τις οδηγίες που δίνονται στην ενότητα "Προστασία του περιβάλλοντος".

Μην αποτεφρώνετε τις μπαταρίες.

- ♦ Κάτω από ακραίες συνθήκες, μπορεί να επέλθει διαρροή υγρών μπαταρίας. Αν παρατηρήσετε υγρό πάνω στις μπαταρίες, ενεργήστε ως εξής:
 - Σκουπίστε προσεκτικά το υγρό, χρησιμοποιώντας ένα πανί. Αποφύγετε την επαφή με το δέρμα.

Συμπληρωματικές οδηγίες ασφαλείας για τα λείζερ



Διαβάστε ολόκληρο το εγχειρίδιο προσεκτικά.



Αυτό το προϊόν δεν πρέπει να χρησιμοποιείται από παιδιά κάτω των 16 ετών.



Ακτινοβολία λείζερ.



Μην κοιτάτε κατευθείαν τη δέσμη ακτίνων λείζερ.



Μη χρησιμοποιείτε οπτικά εργαλεία για να δείτε την δέσμη λείζερ.

- ♦ Αυτή η συσκευή λείζερ συμμορφώνεται με την κλάση 2 σύμφωνα με το πρότυπο IEC 60825+A1+A2:2001. Μην αντικαταστήσετε μία δίοδο λείζερ με μια άλλη διαφορετικού τύπου. Αν το λείζερ χαλάσει, δώστε τη συσκευή να επιδιορθωθεί από ένα εξουσιοδοτημένο αντιπρόσωπο επισκευών.
- ♦ Μη χρησιμοποιείτε το λείζερ για άλλο σκοπό εκτός από την προβολή γραμμών λείζερ.
- ♦ Η έκθεση του ματιού σε μια δέσμη ακτίνων λείζερ κλάσης 2 θεωρείται ασφαλής για μέγιστη διάρκεια 0.25 δευτερολέπτων. Τα αντανακλαστικά των βλεφάρων παρέχουν κανονικά επαρκή προστασία. Σε αποστάσεις μεγαλύτερες από 1m, η ακτινοβολία λείζερ συμμορφώνεται με την κλάση 1 και επομένως θεωρείται εντελώς ασφαλής.
- ♦ Μην κοιτάτε ποτέ σκόπιμα, κατευθείαν μέσα στη δέσμη λείζερ.
- ♦ Μη χρησιμοποιείτε οπτικά εργαλεία για να δείτε τη δέσμη ακτίνων λείζερ.
- ♦ Μην ρυθμίζετε το εργαλείο σε μέρος όπου η δέσμη λείζερ μπορεί να διασταυρωθεί με οποιοδήποτε άτομο στο ύψος του κεφαλιού.
- ♦ Μην αφίγγετε τα παιδιά να έρχονται κοντά στο λείζερ.

Συμπληρωματικές οδηγίες ασφαλείας για τις σέγες

Προειδοποίηση! Η επαφή ή η εισπνοή της σκόνης που δημιουργούν οι εφαρμογές κοπής μπορεί να φέρουν κίνδυνο για την υγεία του χειριστή και των ατόμων που ενδεχομένως παρευρίσκονται. Φορέστε μάσκα σκόνης ειδικά σχεδιασμένη για προστασία έναντι της σκόνης και των αναθυμιάσεων και βεβαιωθείτε ότι τα άτομα που βρίσκονται ή εισέρχονται στο χώρο εργασίας είναι επίσης προστατευμένα.

Χαρακτηριστικά

Το εργαλείο αυτό διαθέτει μερικά ή όλα από τα παρακάτω χαρακτηριστικά:

1. Μπουτόν ελέγχου μεταβλητής ταχύτητας
2. Κουμπί συνεχόμενης λειτουργίας
3. Διακόπτης on/off
4. Πλευρική λαβή
5. Υποδοχή αποθήκευσης πριονόλαμας
6. Επιλογέας Turbo
7. Μπουτόν κλειδώματος πέλδου
8. Πέλδου
9. Προσαρμογέας εξαγωγής σκόνης
10. Πριονόλαμα
11. Ράουλο βάσης πριονόλαμας
12. Μοχλός κλειδώματος πριονόλαμας
13. Μονάδα λείζερ (δεν παρέχεται με το μοντέλο KS1000NL)

Συναρμολόγηση

Προειδοποίηση! Πριν επιχειρήσετε κάποια από αυτές τις εργασίες, βεβαιωθείτε ότι εργαλείο είναι απενεργοποιημένο και αποσυνδεδεμένο από την πρίζα και ότι η πριονόλαμα είναι σταματημένη. Οι πριονόλαμες μετά από χρήση μπορεί να είναι ζεστές.

Τοποθέτηση της πριονόλαμας (εικ. Α)

- ♦ Κρατήστε την πριονόλαμα (10) όπως υποδεικνύεται, με τα δόντια να κοιτούν προς τα εμπρός.
- ♦ Σπρώξτε το μοχλό (12) προς τα κάτω.
- ♦ Τοποθετήστε το στέλεχος της πριονόλαμας μέσα στην υποδοχή της λάμας (14) όσο βαθιά πάει.
- ♦ Ελευθερώστε το μοχλό (12).

Τοποθέτηση και αφαίρεση της πλευρικής λαβής (εικ. Β)

- ♦ Η πλευρική λαβή (4) μπορεί να τοποθετηθεί είτε στην αριστερή είτε στην δεξιά πλευρά του εργαλείου.
- ♦ Ευθυγραμμίστε και τοποθετήστε την πλευρική λαβή (4) στη θέση υποδοχής πάνω στο εργαλείο, κατόπιν περιστρέψτε την προς τα πίσω μέχρι να ασφαλίσει.
- ♦ Για να την αφαιρέσετε, περιστρέψτε την προς τα εμπρός μέχρι να σταματήσει, έπειτα τραβήξτε την έξω από την υποδοχή.

Σύνδεση ηλεκτρικής σκούπας στο εργαλείο (εικ. C & D)

- ♦ Προσαρτήστε τον προσαρμογέα εξαγωγής σκόνης (9) στο πέλδου (8) όπως υποδεικνύεται.
- ♦ Συνδέστε τον ελαστικό σωλήνα της σκούπας (δεν παρέχεται) στον προσαρμογέα.

Χρήση

Προειδοποίηση! Μην χρησιμοποιείτε ποτέ το εργαλείο όταν το πέλδου έχει χαλαρώσει ή έχει αφαιρεθεί.

Ρύθμιση του πέλδου για λοξές κοπές (εικ. Ε)

Το πέλδου μπορεί να ρυθμιστεί για δεξιά ή αριστερή λοξή κοπή σε γωνία μέχρι 45°.

- ♦ Γυρίστε το μπουτόν κλειδώματος του πέλδου (7), αριστερόστροφα για να αποδεσμεύσετε το πέλδου (8).
- ♦ Τραβήξτε το πέλδου (8) προς τα πίσω και ρυθμίστε το στην απαιτούμενη γωνία. Μπορείτε να χρησιμοποιήσετε ένα μοιρογυμνόνιο για τον έλεγχο της γωνίας.
- ♦ Γυρίστε το μπουτόν κλειδώματος του πέλδου (7) δεξιόστροφα για να ασφαλίσετε το πέλδου στη θέση του.

Για να ρυθμίσετε πάλι το πέλδου για ευθείες τομές:

- ♦ Γυρίστε το μπουτόν κλειδώματος του πέλδου (7) αριστερόστροφα για να αποδεσμεύσετε το πέλδου (8).
- ♦ Ρυθμίστε το πέλδου (8) σε γωνία περίπου 0° και έπειτα σπρώξτε το προς τα εμπρός.

- ♦ Γυρίστε το μπουτόν κλειδώματος του πέδιλου (7) δεξιόστροφα για να ασφαλίσετε το πέδιλο στη θέση του. Βεβαιωθείτε ότι το πέδιλο υποστηρίζεται από τα ενισχυτικά στοιχεία του οδηγού.

Έλεγχος μεταβλητής ταχύτητας

- ♦ Ρυθμίστε το μπουτόν ελέγχου μεταβλητής ταχύτητας (1) στην απαιτούμενη βαθμίδα ταχύτητας. Χρησιμοποιείτε μεγάλη ταχύτητα για το ξύλο, μέτρια ταχύτητα για το αλουμίνιο και το PVC και χαμηλή ταχύτητα για μέταλλα διαφορετικά από το αλουμίνιο.

Επιλογέας Turbo

- ♦ Για μια ακριβή ίσια ή καμπύλη κοπή και ένα τελείωμα απαλής επιφάνειας, ρυθμίστε τον επιλογέα turbo (6) στη θέση 0.
- ♦ Για γρήγορες και αποτελεσματικές κοπές στο ξύλο, βάλτε τον επιλογέα turbo (6) στη θέση 2.

Ενεργοποίηση και απενεργοποίηση του εργαλείου

- ♦ Για να ενεργοποιήσετε το εργαλείο, πατήστε το διακόπτη on/off (3).
- ♦ Για να απενεργοποιήσετε το εργαλείο, αποδεσμεύστε το διακόπτη on/off (3).
- ♦ Για συνεχή λειτουργία, πατήστε το κουμπί συνεχόμενης λειτουργίας (2) και αφήστε ελεύθερο το διακόπτη on/off.
- ♦ Για να απενεργοποιήσετε το εργαλείο όταν βρίσκεται σε συνεχόμενη λειτουργία, πατήστε το διακόπτη on/off (3) ακόμη μία φορά και αφήστε τον ελεύθερο.

Λειτουργία του λέιζερ (εικ. F - I)

(δεν παρέχεται με το μοντέλο KS1000NL)

Εγκατάσταση των μπαταριών (εικ. F)

Αποσυναρμολογήστε την υπομονάδα λέιζερ (13) από τη σέγα αφαιρώντας τη βίδα (15) και σπρώχνοντας τη μονάδα λέιζερ προς τα εμπρός. Τοποθετήστε δύο καινούργιες αλκαλικές μπαταρίες 1.5 Volt AAA, φροντίζοντας να ταιριάξετε τους πόλους (+) και (-) σωστά. Επανασυνδέστε τη μονάδα λέιζερ (13).

Ρύθμιση του λέιζερ πλάι με πλάι (εικ. G)

Σημείωση: Το λέιζερ προορίζεται για βοήθεια κατά την κοπή και δεν εξασφαλίζει την ακρίβεια της κοπής.

Προειδοποίηση! Μην ρυθμίζετε το λέιζερ με τη σέγα στην πρίζα.

- ♦ Χρησιμοποιήστε τη βίδα ρύθμισης του λέιζερ (16) για να ευθυγραμμίσετε τη γραμμή λέιζερ με την πριονόλαμα, αν χρειάζεται.

Η ορατότητα λέιζερ (ισχύς) ελαττώνεται όταν η σέγα υπερθερμανθεί. Το λέιζερ μπορεί να μην είναι ορατό όταν το πριόνι έχει υπερφορτωθεί για μια παρατεταμένη χρονική περίοδο. Η ορατότητα λέιζερ θα επανέλθει βαθμίδον στα φυσιολογικά επίπεδα μόνο όταν το εργαλείο κρυώσει ακόμη και αν αυτό δεν είναι στην πρίζα. **Προειδοποίηση!** Μην αφήνετε το υπερφορτωμένο λέιζερ στη θέση ON. Βεβαιωθείτε ότι ο διακόπτης είναι στη θέση OFF και αφαιρέστε τις μπαταρίες για να κόψετε το ρεύμα στο λέιζερ.

Χρήση του λέιζερ (εικ. F - I)

Το λέιζερ προβάλλει τη γραμμή κοπής πάνω στην επιφάνεια του αντικειμένου υπό επεξεργασία.

- ♦ Για να ενεργοποιήσετε το λέιζερ, πατήστε το κουμπί on/off (17).
- ♦ Για να απενεργοποιήσετε το λέιζερ, ξαναπατήστε το κουμπί (17).

Βλέποντας κατευθείαν πάνω από τη σέγα, είναι εύκολη η παρακολούθηση της γραμμής κοπής. Εάν για οποιοδήποτε λόγο η ορατότητα περιορίζεται, το λέιζερ μπορεί να χρησιμοποιηθεί σαν εναλλακτικός οδηγός κοπής.

- ♦ Χρησιμοποιήστε ένα μολύβι για να σημαδέψετε τη γραμμή κοπής.
- ♦ Τοποθετήστε τη σέγα πάνω από τη γραμμή.
- ♦ Ενεργοποιήστε το λέιζερ.

Συμβουλές για άριστη χρήση

Πριόνισμα ελασμάτων

Επειδή η πριονόλαμα κόβει κατά τη διαδρομή προς τα πάνω, μπορεί να επέλθει σχίσμο στην επιφάνεια κοντά στο πέδιλο.

- ♦ Χρησιμοποιείτε μια πριονόλαμα με λεπτά δόντια.
- ♦ Πριονίζετε από την πίσω επιφάνεια του αντικειμένου υπό επεξεργασία.
- ♦ Για να ελαχιστοποιήσετε το σχίσμο, στερεώστε με το σφιγκτήρα ένα κομμάτι άχρηστου ξύλου ή κόντρα πλακέ και στις δύο πλευρές του αντικειμένου υπό επεξεργασία και πριονίστε ανάμεσα σε αυτό το σάντουιτς.

Πριόνισμα μετάλλου

- ♦ Να ξέρετε ότι το πριόνισμα μετάλλου παίρνει πολύ παραπάνω χρόνο από το πριόνισμα ξύλου.
- ♦ Χρησιμοποιείτε μια πριονόλαμα κατάλληλη για το πριόνισμα μετάλλου.
- ♦ Όταν κόβετε λεπτά μεταλλικά ελάσματα, στερεώστε με το σφιγκτήρα ένα κομμάτι άχρηστου ξύλου στην πίσω επιφάνεια του αντικειμένου υπό επεξεργασία και κόψτε ανάμεσα σε αυτό το σάντουιτς.
- ♦ Απλώστε ένα λεπτό στρώμα λαδιού κατά μήκος της γραμμής που σκοπεύετε να κόψετε.

Αξεσουάρ

Η απόδοση του εργαλείου σας εξαρτάται από τα αξεσουάρ που χρησιμοποιούνται. Τα αξεσουάρ της Black & Decker και της Piranha έχουν κατασκευαστεί μηχανικά με πρότυπα υψηλής ποιότητας και είναι σχεδιασμένα για να ενισχύουν την απόδοση του εργαλείου σας. Χρησιμοποιώντας αυτά τα αξεσουάρ, θα πάρετε ό,τι το καλύτερο από το εργαλείο σας.

Το εργαλείο αυτό είναι συμβατό με τις προιόνλαμες με στέλεχος σχήματος U και T.

Συντήρηση

Αυτό το εργαλείο της Black & Decker έχει σχεδιαστεί έτσι ώστε να λειτουργεί για μεγάλο χρονικό διάστημα με την ελάχιστη δυνατή συντήρηση. Η αδιάλειπτη και ικανοποιητική λειτουργία του εργαλείου εξαρτάται από τη φροντίδα και τον τακτικό καθαρισμό.

- ◆ Καθαρίζετε σε τακτική βάση τις εγχοπές εξαιρισμού με ένα καθαρό, στεγνό πινέλο βαφής.
- ◆ Για τον καθαρισμό του εργαλείου, χρησιμοποιήστε αποκλειστικά ήπιο σαπούνι και υγρό πανί. Μην επιτρέψετε ποτέ να εισέλθει υγρό στο εσωτερικό του εργαλείου και μη βυθίσετε ποτέ οποιοδήποτε εξάρτημα του εργαλείου σε υγρό.
- ◆ Από καιρό σε καιρό λιπάνετε με μια σταγόνα λάδι τον αξονίσκο του ράουλου της βάσης λάμας.

Προστασία του περιβάλλοντος



Στην περίπτωση που κάποτε διαπιστώσετε ότι πρέπει να αντικαταστήσετε το εργαλείο ή ότι δεν σας είναι πλέον χρήσιμο, μην ξεχνάτε την ανάγκη προστασίας του περιβάλλοντος. Τα κέντρα επισκευών της Black & Decker παραλαμβάνουν παλαιά εργαλεία Black & Decker και φροντίζουν για την απόρριψή τους με ασφαλή για το περιβάλλον τρόπο.



Η ανεξάρτητη συλλογή των μεταχειρισμένων προϊόντων και των υλικών συσκευασίας δίνει τη δυνατότητα ανακύκλωσης και επαναχρησιμοποίησης των υλικών. Με την επαναχρησιμοποίηση των ανακυκλωμένων υλικών αποτρέπεται η μόλυνση του περιβάλλοντος και μειώνεται η ζήτηση πρώτων υλών.

Οι κανονισμοί που ισχύουν στην περιοχή σας ενδέχεται να προβλέπουν την επιλεκτική περισυλλογή των ηλεκτρικών συσκευών που προέρχονται από νοικοκυριά σε κρατικές εγκαταστάσεις ή από τον έμπορο όταν αγοράσετε ένα καινούργιο προϊόν.

Η Black & Decker δίνει τη δυνατότητα ανακύκλωσης των προϊόντων της που έχουν συμπληρώσει τη διάρκεια ζωής τους. Για να χρησιμοποιήσετε αυτήν την υπηρεσία, επιστρέψτε το προϊόν σας σε οποιοδήποτε εξουσιοδοτημένο κέντρο επισκευών, όπου θα το παραλάβουν εκ μέρους μας.

Ενημερωθείτε για το πλησιέστερο εξουσιοδοτημένο κέντρο επισκευών της περιοχής σας, επικοινωνώντας με τα γραφεία της Black & Decker στη διεύθυνση που αναγράφεται στο εγχειρίδιο. Επίσης, για να πληροφορηθείτε για τα εξουσιοδοτημένα κέντρα επισκευών της Black & Decker και τους αρμόδιους των υπηρεσιών που παρέχονται μετά την πώληση, μπορείτε να ανατρέξετε στο Διαδίκτυο, στη διεύθυνση:

www.2helpU.com.



Στο τέλος της χρήσιμης ζωής τους, αποβάλλετε τις μπαταρίες με την πρέπουσα φροντίδα για το περιβάλλον μας. Αφαιρέστε τις μπαταρίες όπως περιγράφεται παραπάνω.

- ◆ Τοποθετήστε τις μπαταρίες σε μια κατάλληλη συσκευασία για να εξασφαλίσετε ότι οι ακροδέκτες δεν μπορούν να βραχυκυκλώσουν.
- ◆ Φέρετε τις μπαταρίες σε έναν τοπικό σταθμό ανακύκλωσης.

Τεχνικά χαρακτηριστικά

KS1000E/KS1000NL/KS1001E/KS1002E

Ισχύς εισόδου	W 710
Αριθμός διαδρομών (χωρίς φορτίο)	min-1 800-3,200
Μέγιστο βάθος κοπής	
Ξύλο	mm 85
Χάλυβας	mm 4
Αλουμίνιο	mm 10

Δήλωση συμμόρφωσης με την Ευρωπαϊκή Κοινότητα

KS1000E/KS1000NL/KS1001E/KS1002E

H Black & Decker δηλώνει ότι τα προϊόντα αυτά συμμορφώνονται με:

98/37/EK, 89/336/EOK, EN 60745, EN 55014, EN61000,

IEC 60825+A1+A2:2001

L_{pA} (ηχητική πίεση) 88 dB(A),

L_{WA} (ακουστική ισχύς) 99 dB(A),

συνδυασμένη χειροβραχιονική δόνηση $<6,3 \text{ m/s}^2$

K_{pa} (αβεβαιότητα ηχητικής πίεσης) 3 dB(A),

K_{pa} (αβεβαιότητα ηχητικής ισχύος) 3 dB(A),



Kevin Hewitt

Διευθυντής Εξυπηρέτησης

Πελατών

Spennymoor, County Durham

DL16 6JG,

Αγγλία Ηνωμένο Βασίλειο

30-06-2006

Για να ισχύσει η εγγύηση, πρέπει να υποβάλετε απόδειξη αγοράς στον πωλητή ή το εξουσιοδοτημένο κέντρο επισκευών. Ενημερωθείτε για το πλησιέστερο εξουσιοδοτημένο κέντρο επισκευών της περιοχής σας, επικοινωνώντας με τα γραφεία της Black & Decker στη διεύθυνση που αναγράφεται στο εγχειρίδιο. Επίσης, για να πληροφορηθείτε για τα εξουσιοδοτημένα κέντρα επισκευών της Black & Decker και τους αρμόδιους των υπηρεσιών που παρέχονται μετά την πώληση, μπορείτε να ανατρέξετε στο Διαδίκτυο, στη διεύθυνση:

www.2helpU.com

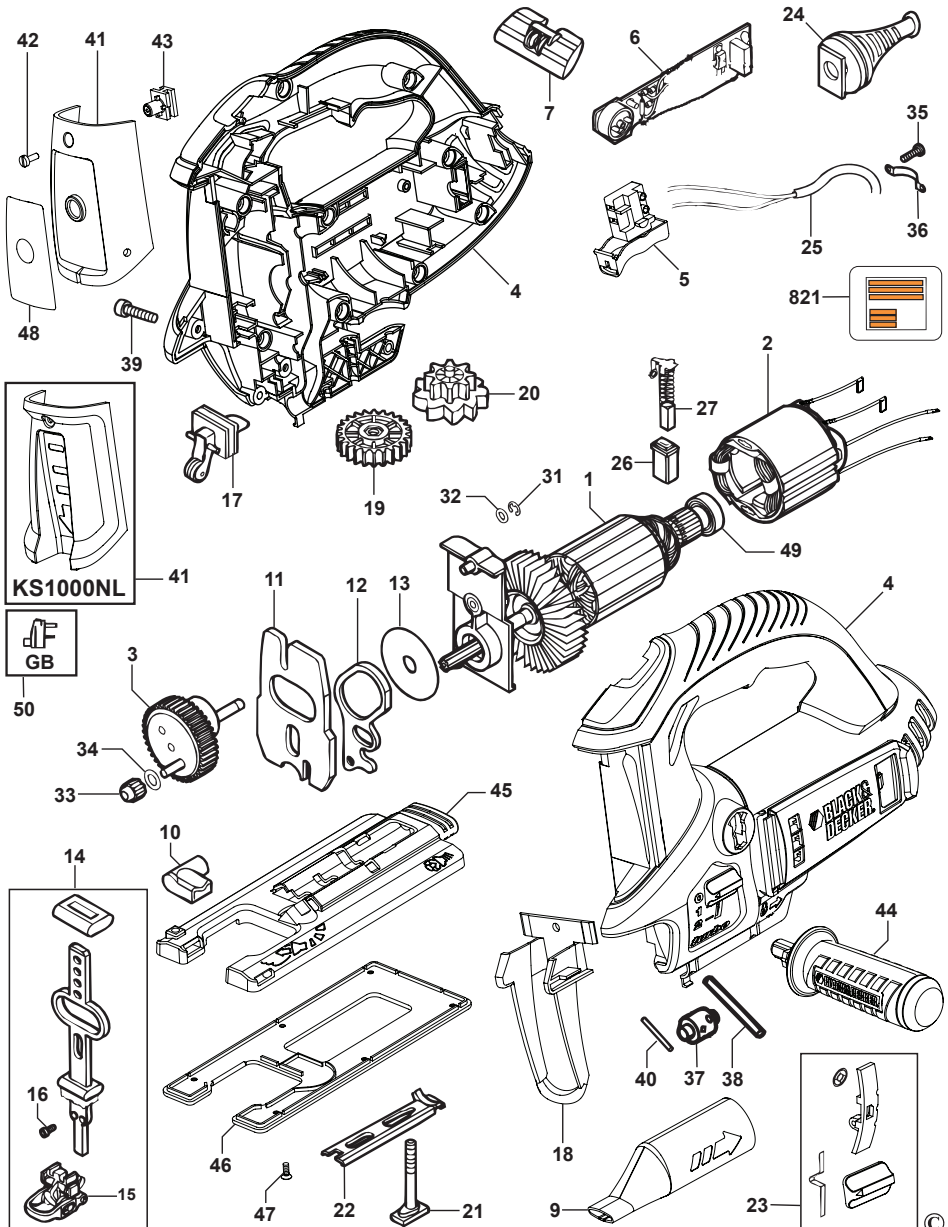
Παρακαλούμε επισκεφθείτε την ιστοσελίδα μας www.blackanddecker.gr για να καταχωρήσετε το νέο σας προϊόν Black & Decker και για να ενημερώνεστε για τα νέα προϊόντα και τις ειδικές προσφορές. Περισσότερες πληροφορίες σχετικά με τη μάρκα Black & Decker και τη σειρά των προϊόντων μας θα βρείτε στη διεύθυνση www.blackanddecker.gr.

Εγγύηση

Η Black & Decker είναι σίγουρη για την ποιότητα των προϊόντων της και παρέχει σημαντική εγγύηση. Η παρούσα γραπτή εγγύηση αποτελεί πρόσθετο δικαίωμά σας και δεν ζημιώνει τα νόμιμα δικαιώματά σας. Η εγγύηση ισχύει εντός της επικράτειας των Κρατών Μελών της Ευρωπαϊκής Ένωσης και της Ευρωπαϊκής Ζώνης Ελευθέρων Συναλλαγών.

Σε περίπτωση που κάποιο προϊόν της Black & Decker παρουσιάσει βλάβη εξαιτίας ελαττωματικών υλικών, ποιότητας εργασίας ή έλλειψης συμφωνίας με τις προδιαγραφές εντός 24 μηνών από την ημερομηνία αγοράς, η Black & Decker εγγυάται την αντικατάσταση των ελαττωματικών τμημάτων, την επισκευή προϊόντων που έχουν υποστεί εύλογη φθορά λόγω χρήσης ή την αντικατάσταση των προϊόντων προκειμένου να εξασφαλίσει την ελάχιστη ενόχληση στους πελάτες της, εκτός εάν:

- ◆ Το προϊόν έχει χρησιμοποιηθεί σε εργασιακό, επαγγελματικό περιβάλλον ή αν έχει ενοικιαστεί.
- ◆ Έχει γίνει εσφαλμένη χρήση του προϊόντος ή έχει παραμεληθεί.
- ◆ Το προϊόν έχει υποστεί βλάβη από άλλα αντικείμενα, από ουσίες ή λόγω ατυχήματος.
- ◆ Έχει γίνει προσπάθεια επισκευής από μη εξουσιοδοτημένα κέντρα επισκευών ή από προσωπικό που δεν ανήκει στο προσωπικό της Black & Decker.



Australia	Black & Decker (Australia) Pty. Ltd. 20 Fletcher Road, Mooroolbark, Victoria, 3138	Tel. 03-8720 5100 Fax 03-9727 5940
België/Belgique	Black & Decker (Belgium) N.V. Campus Noord, Schaliënhoevedreef 20E 2800 Mechelen	Tel. 015 - 47 92 11 Fax 015 - 47 92 10
Danmark	Black & Decker Sluseholmen 2-4, 2450 København SV Internet: www.blackanddecker.dk	Tel. 70 20 15 30 Fax 36 94 49 01
Deutschland	Black & Decker GmbH Black & Decker Str. 40, D - 65510 Idstein	Tel. 06126/21 - 0 Fax 06126/21 29 80
Ελλάδα	Black & Decker (Ελλάς) A.E. Στράβωνος 7 & Λεωφ. Βουλιαγμένης 159 166 74 Γλυφάδα - Αθήνα	Τηλ. 210 8981616 Τηλ. 210 8982630 Φαξ Service 210 8983285
España	Black & Decker Ibérica, S.C.A. Parque de Negocios "Mas Blau" Edificio Muntadas, c/Bergadá, 1, Of. A6 08820 El Prat de Llobregat (Barcelona)	Tel. 934 797 400 Fax 934 797 419
France	Black & Decker (France) S.A.S. B.P. 21, 69571 Dardilly Cédex	Tel. 04 72 20 39 20 Fax 04 72 20 39 00
Helvetia	ROFO AG Gewerbezone Seeblick 3213 Kleinbödingen	Tel. 026-6749391 Fax 026-6749394
Italia	Black & Decker Italia SpA Viale Elvezia 2 20052 Monza (MI)	Tel. 039-23871 Fax 039-2387592/2387594 Numero verde 800-213935
Nederland	Black & Decker Benelux Joulehof 12, 4622 RG Bergen op Zoom	Tel. 0164 - 283000 Fax 0164 - 283100
New Zealand	Black & Decker 81 Hugo Johnston Drive Penrose, Auckland, New Zealand	Tel. 09 579 7600 Fax 09 579 8200
Norge	Black & Decker (Norge) A/S Postboks 4814, Nydalen, 0422 Oslo Internet: www.blackanddecker.no	Tlf. 22 90 99 00 Fax 22 90 99 01
Österreich	Black & Decker Vertriebsges.m.b.H Erlaaerstraße 165, 1231 Wien	Tel. 01 66116-0 Fax 01 66116-14
Portugal	Black & Decker Rua Egas Moniz 173 S. João do Estoril 2766-651 Estoril	Tel. 214667500 Fax 214667575
Suomi	Black & Decker Oy Keilasatama 3, 02150 Espoo Black & Decker Oy, Kägelhamnen 3, 02150 Esbo	Puh.: 010 400 430 Faksi: (09) 2510 7100 Tel: 010 400 430 Fax: (09) 2510 7100
Sverige	Black & Decker AB Fabriksg. 7, 412 50 Göteborg	Tel: 031-68 60 60 Fax: 031-68 60 80
Türkiye	İntratek Mühendislik ve Dış Tic. A.Ş. Ortaklar Cad. No:19/2 80290 Mecidiyeköy / İstanbul	Tel. 0212 211 22 10 Faks 0212 266 33 03
United Kingdom	Black & Decker 210 Bath Road Slough, Berkshire SL1 3YD	Tel. 01753 511234 Fax 01753 551155 Helpline 01753 574277
Middle East & Africa	Black & Decker (Overseas) A.G. PB 5420, Dubai, United Arab Emirates	Tel. +971 4 2826464 Fax +971 4 2826466

Dealer address
Händleradresse
Cachet du revendeur
Indirizzo del rivenditore
Adres van de dealer
Dirección del detallista
Morada do revendedor
Återförärljarens adress
Forhandlerens adresse
Forhandler adresse
Jälleemmyjiän osoite
Διεύθυνση αντιπροσώπου

◆ Name ◆ Nom ◆ Nome
◆ Name ◆ Nombre ◆ Nome ◆ Namn
◆ Navn ◆ Navn ◆ Nimi ◆ Oνομα:

◆ Address ◆ Adresse ◆ Adresse ◆ Indirizzo ◆
Adres ◆ Dirección ◆ Morada ◆ Address ◆◆
Adresse ◆ Adresse ◆ Osoite ◆ Διεύθυνση:

◆ Town ◆ Ort ◆ Ville ◆ Città ◆ Plaats
◆ Ciudad ◆ Localidade ◆ Ort ◆ By ◆ By
◆ Paikkakunta ◆ Πόλη:

◆ Postal code ◆ Postleitzahl ◆ Code postal ◆
Codice postale ◆ Postcode
◆ Código ◆ Código postal ◆ Postnr.
◆ Postnr. ◆ Postnr. ◆ Postnummero
◆ Κωδικός

◆ Is this tool a gift? ◆ Ist dieses Gerät ein
Geschenk? ◆ S'agit-il d'un cadeau? ◆ Si tratta
di un regalo? ◆ Kreeg u de machine als cadeau?
◆ ¿Ha recibido usted esta herramienta como
regalo? ◆ Recebeu esta ferramenta como
presente? ◆ Är verktyget en gåva?
◆ Er verktoyet en gave? ◆ Er verktojet en gave?
◆ Onko kone lahja? ◆ Το εργαλείο είναι δώρο?

◆ Yes ◆ Ja ◆ Oui ◆ Si ◆ Ja ◆ Si ◆ Yes
◆ Sim ◆ Ja ◆ Ja ◆ Ja ◆ Kyllä ◆ Nαι

◆ No ◆ Nein ◆ Non ◆ No ◆ Nee
◆ No ◆ Não ◆ Nej ◆ Nei ◆ Nej
◆ Ei ◆ Oχι

◆ Is this tool your first purchase? ◆ Ist dieses
Gerät ein Erstkauf? ◆ Est-ce un 1er achat? ◆
Questo prodotto è il suo primo acquisto? ◆ Is
deze machine uw eerste aankoop? ◆ ¿Es esta
herramienta la primera de este tipo?
◆ Esta ferramenta é a sua primeira compra? ◆
Är detta ditt första B&D-verktyg? ◆ Er dette ditt
første B&D verktoy? ◆ Er dette ditt første B&D
verktøj? ◆ Onko tämä ensimmäinen B&D-

Date of purchase
Kaufdatum
Date d'achat
Data d'acquisto
Aankoopdatum
Fecha de compra
Data de compra
Inkõpsdatum
Imkõpsudato
Indkøbsdato
Ostopäivä
Ημερομηνία αγοράς

koneesi? ◆ Είναι το εργαλείο αυτό η
πρώτη σας αγορά?

◆ Yes ◆ Ja ◆ Oui ◆ Si ◆ Ja ◆ Si
◆ Sim ◆ Ja ◆ Ja ◆ Ja ◆ Kyllä ◆ Nαι
◆ No ◆ Nein ◆ Non ◆ No ◆ Nee
◆ No ◆ Não ◆ Nej ◆ Nei ◆ Nej
◆ Ei ◆ Oχι

◆ Dealer address ◆ Händleradresse
◆ Cachet du revendeur ◆ Indirizzo del
rivenditore ◆ Adres van de dealer
◆ Dirección del detallista ◆ Morada do
revendedor ◆ Återförärljarens adress
◆ Forhandlerens adresse ◆ Forhandler adresse
◆ Jälleemmyjiän osoite
◆ Διεύθυνση αντιπροσώπου

Cat. no.:



- ✦ **GUARANTEE CARD** ✦ **GARANTIEKARTE** ✦ **CARTE DE GARANTIE** ✦ **TAGLIANDO DI GARANZIA**
✦ **GARANTIEKAART** ✦ **TARJETA DE GARANTIA** ✦ **CARTÃO DE GARANTIA** ✦ **GARANTIBEVIS**
✦ **GARANTI KORT** ✦ **GARANTI KORT** ✦ **TAKUUKORTTI** ✦ **KAPTA EFTYHSHZ**



English Please complete this section immediately after the purchase of your tool and send it to Black & Decker in your country. If you live in Australia or New Zealand, please register by using the alternative

guarantee card supplied.

Deutsch Bitte schneiden Sie diesen Abschnitt ab, stecken ihn in einen frankierten Umschlag und schicken ihn an die Black & Decker

Adresse Ihres Landes.

Français Découpez cette partie et envoyez-la sous enveloppe timbrée à l'adresse de Black & Decker dans votre pays, ceci immédiatement après votre achat.

Italiano Per favore ritagliate questa parte, inseritela in una busta con francobollo e spedite la subito dopo l'acquisto del prodotto all'indirizzo della Black & Decker nella vostra nazione.

Nederlands Knip dit gedeelte uit en zend het direct na aankoop in een gefrankeerde, geadresseerde envelop naar het adres van Black & Decker in uw land.

Español Después de haber comprado su herramienta envíe usted, por favor, esta tarjeta a la central de Black & Decker en su país.

Português

Por favor, recorte esta parte, coloque-a num envelope selado e endereçado e envie-o logo após a compra do seu produto para o endereço da Black & Decker do seu país.

Svenska Var vänlig klipp ur denna del och sänd den i ett frankerat kuvert till Black & Deckers adress i Ditt land.

Norsk Vennligst klipp ut denne delen umiddelbart etter du har pakket ut ditt produkt og legg det i en adressert konvolutt til Black & Decker (Norge) A/S.

Dansk Venligst klip denne del ud og send frankeret til Black & Decker i dit land.

Suomi Leikkaa irti tämä osa, laita se kuoreen ja postita kuori paikalliseen Black & Deckers osoitteeseen.

Ελληνικά Πρακτικά κόψτε αυτό το κομμάτι και τοποθετήστε το μετρώς μετά την αγορά του προϊόντος σας στην διεύθυνση της Black & Decker στην Ελλάδα.