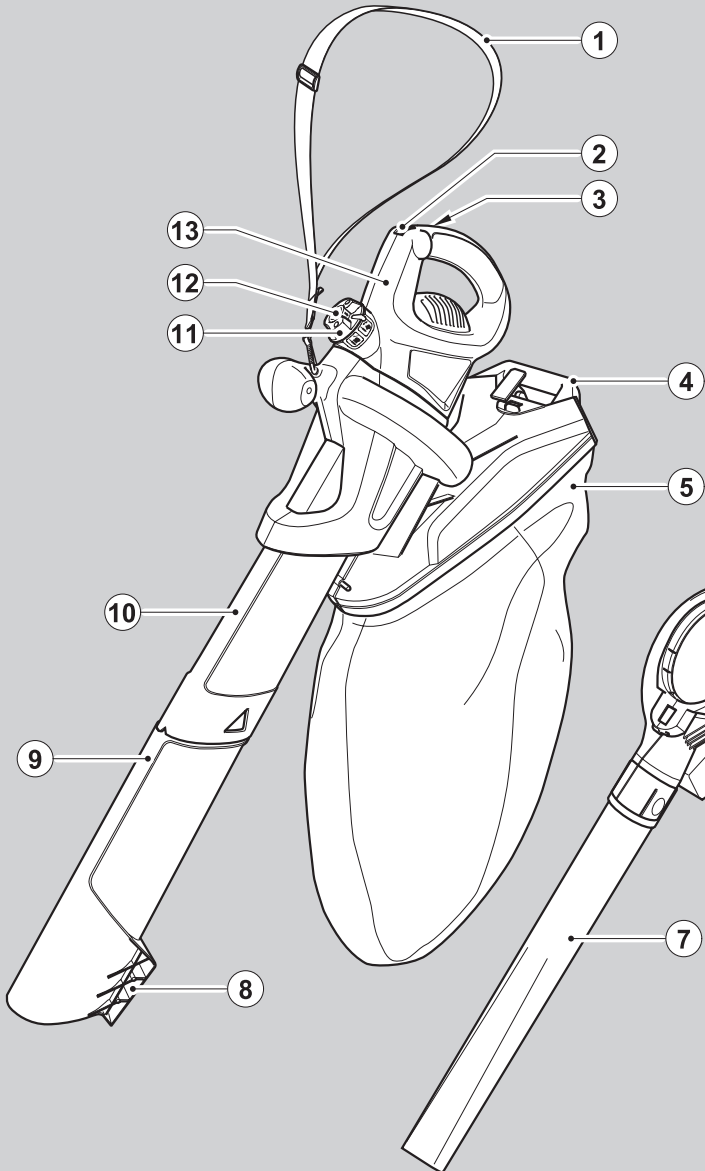
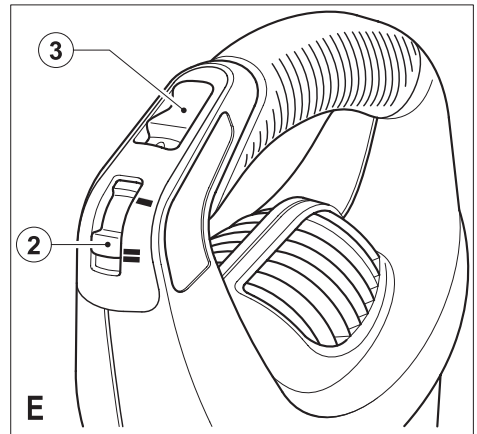
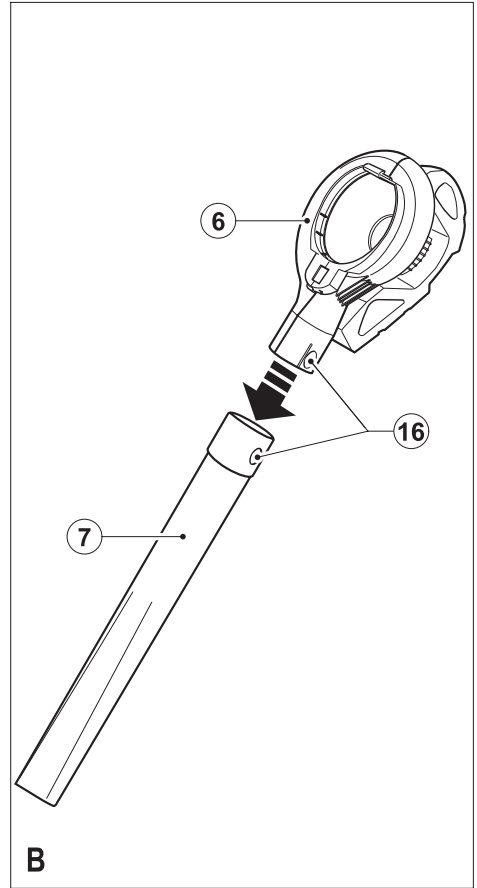
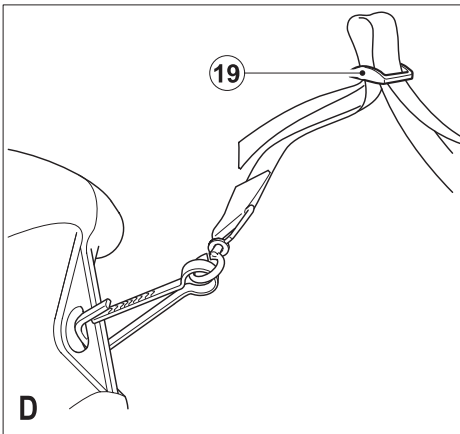
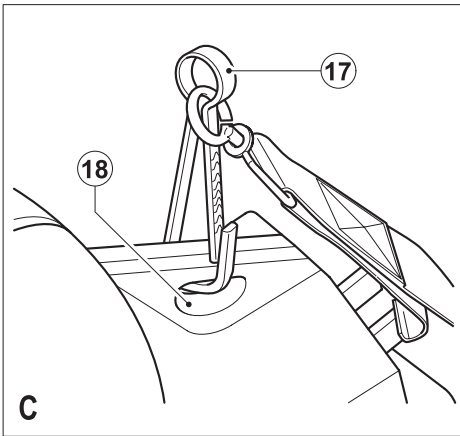
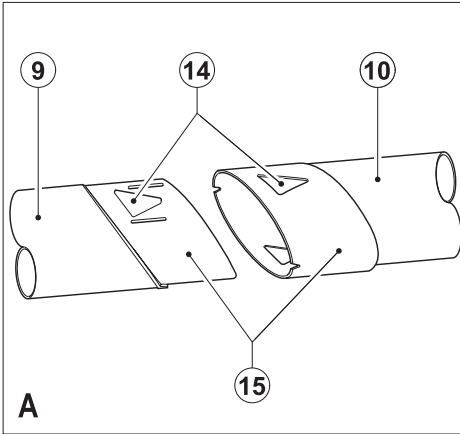


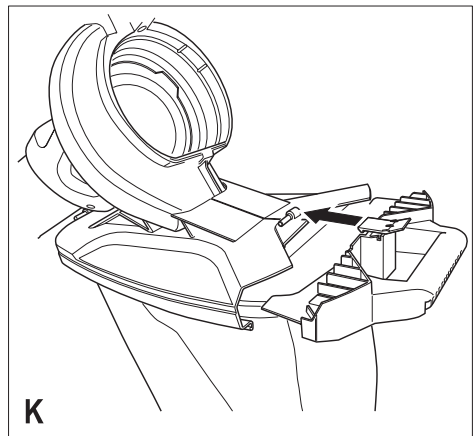
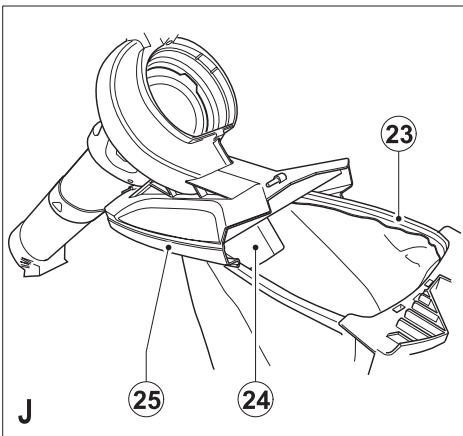
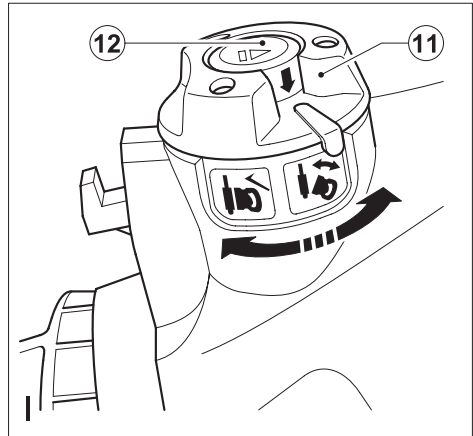
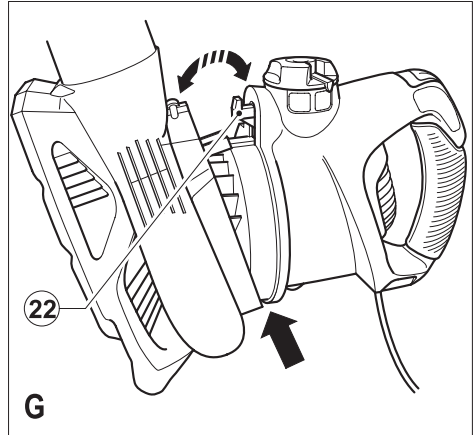
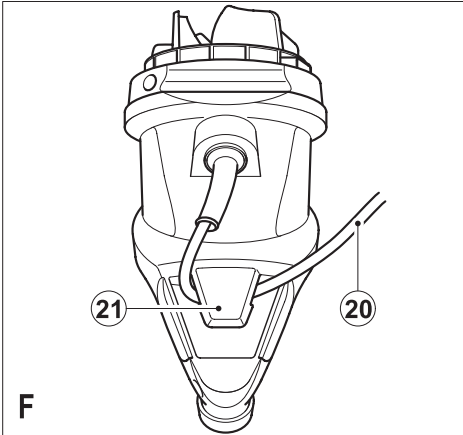


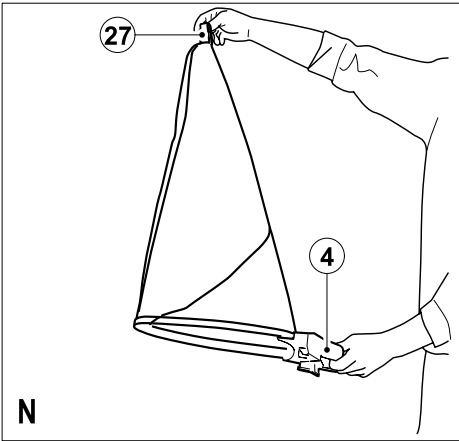
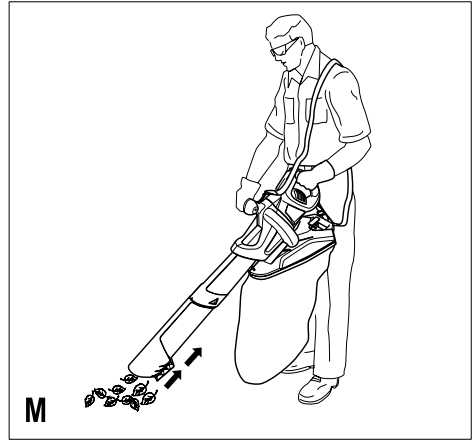
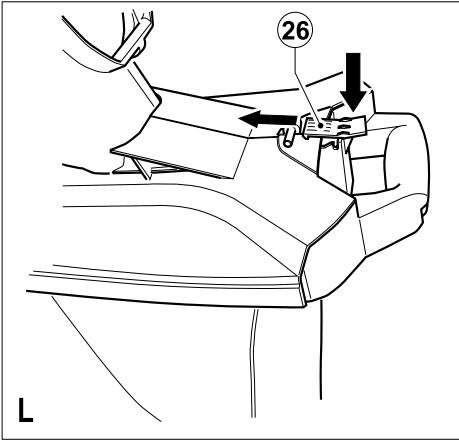
BLACK & DECKER®



English	5
Deutsch	10
Français	16
Italiano	22
Nederlands	28
Español	34
Português	40
Svenska	46
Norsk	52
Dansk	57
Suomi	62
Ελληνικά	67







Intended use

Your Black & Decker blower vac has been designed for leaf clearing. This tool is intended for consumer and outdoor use only.

Safety instructions

Warning! When using mains-powered appliances, basic safety precautions, including the following, should always be followed to reduce the risk of fire, electric shock and personal injury.

- ◆ Read all of this manual carefully before operating the appliance.
- ◆ Before operating the appliance, make sure that you know how to switch it off in an emergency.
- ◆ Retain this manual for future reference.

Training

- ◆ Read the instructions carefully. Be familiar with the controls and the proper use of the appliance.
- ◆ Do not allow children or any person unfamiliar with these instructions to operate the appliance. Local regulations may restrict the age of the operator.
- ◆ Never use the appliance while people, especially children, or pets are nearby.
- ◆ Remember that the operator will be held responsible for accidents or hazards occurring to other people or their property.

Preparation

- ◆ Do not operate your product barefoot or in open sandals.
- ◆ To protect your feet and legs, always wear stout shoes or boots and long trousers - freshly cut grass is damp and slippery. Rubber or man made footwear will enhance your safety.
- ◆ Use protective equipment. Wear safety spectacles or goggles whilst operating your product.
- ◆ To prevent dust irritation the wearing of a suitable face mask is recommended.
- ◆ Use ear protection if the sound level seems uncomfortable when using your product.

Warning! Secure long hair so it is above shoulder length. Keep loose clothing, ties, tassels and hanging straps away from openings and moving parts.

- ◆ The power supply cable should be regularly inspected for signs of damage or ageing, and only used in good condition.
- ◆ Always be sure your product is in a safe operating condition and all parts are secure before use.
- ◆ Do not operate the product if any parts are defective or worn.

- ◆ Do not pick up burning materials such as lit cigarette butts.
- ◆ Do not operate the blower/vacuum in a gaseous or explosive atmosphere as motors in these tools normally spark and this may ignite fumes.

Operation

- ◆ Do not use in vacuum mode without the vacuum tubes and collection bag in place.
- ◆ Always switch off your product, allow the fan to stop and remove the plug from the socket when:
 - Changing from blower to vacuum.
 - The supply cable has become damaged or entangled.
 - You leave your product unattended.
 - Clearing a blockage.
 - Checking, adjusting, cleaning or working on your product.
 - If the appliance starts to vibrate abnormally.
- ◆ Do not place the inlet or outlet of the vacuum near eyes or ears when operating. Never blow debris in the direction of bystanders.
- ◆ Do not use in the rain or leave outdoors while it is raining.
- ◆ Use your product only in daylight or good artificial light.
- ◆ Do not cross gravel paths or roads whilst your product is switched on during blow/vac mode. Walk, never run.
- ◆ Do not place your unit down on gravel while it is switched on.
- ◆ Always be sure of your footing, particularly on slopes. Do not overreach and keep your balance at all times.
- ◆ Do not pick up matter that may be contaminated with flammable or combustible liquids such as gasoline, or use in areas where they might be present.
- ◆ Do not place any objects into the openings. Never use if the openings are blocked - keep free of hair, lint, dust and anything that may reduce the airflow.

Warning! Always use your product in the manner outlined in this manual. Your product is designed to be used in an upright mode and if it is used in any other way it may result in injury. Never run your product whilst lying on it's side or upside down.

- ◆ Do not carry the appliance by the cable.
- ◆ Always direct the cable to the rear away from the appliance.

Warning! If a cord becomes damaged during use, disconnect the supply cord from the mains supply immediately. **Do not touch the supply cord before disconnecting the supply.**

Maintenance and storage

- ◆ Before use, check the appliance for damaged or defective parts. Never operate the appliance with defective guards or shields, or without safety devices, for example debris collector in place. Check for misalignment and seizure of moving parts, breakage of parts, damage to guards and switches and any other conditions that may affect its operation.
- ◆ Ensure that the appliance will operate properly and perform its intended function. Never use the appliance when any guard or enclosure is damaged or not in place.
- ◆ Do not use the appliance if any part is damaged or defective. Do not use the appliance if the switch does not turn it on and off.
- ◆ Have any damaged or defective parts repaired or replaced by an authorised repair agent.
- ◆ Check the cable frequently for damage. If the cable is damaged, it must be replaced by an authorised repair agent in order to prevent a hazard. Inspect extension cables periodically. Replace a damaged extension cable immediately.
- ◆ Do not use solvents or cleaning fluids to clean your product - use a blunt scraper to remove grass and dirt.
- ◆ Check the collection bag frequently for wear or deterioration.
- ◆ When not in use, the appliance should be stored in a dry place. Children should not have access to stored appliances.
- ◆ Replacement fans are available from a Black & Decker service agent. Use only Black & Decker recommended spare parts and accessories.

Additional safety instructions for blower vacs

- ◆ This appliance is not intended for use by persons (including children) with reduced physical, sensory or mental capabilities, or lack of experience and knowledge, unless they have been given supervision or instruction concerning use of the appliance by a person responsible for their safety.
- ◆ Children should be supervised to ensure that they do not play with the appliance.
- ◆ If the supply cord is damaged, it must be replaced by the manufacturer or an authorised Black & Decker Service Centre in order to avoid a hazard.

Symbols



Read the manual prior to operation.



Do not use in the rain or leave outdoors while it is raining.



Switch off: remove plug from mains before cleaning or maintenance.



Wear safety glasses or goggles and ear protection when operating this tool



Keep bystanders away.

Electrical safety



This tool is double insulated; therefore no earth wire is required. Always check that the power supply corresponds to the voltage on the rating plate.

- ◆ If the supply cord is damaged, it must be replaced by the manufacturer or an authorised Black & Decker Service Centre in order to avoid a hazard
- ◆ Electric safety can be further improved by using a high-sensitivity 30 mA Residual Current Device (RCD).

Extension cables

- ◆ When using the appliance outdoors, only use weather proof extension cables fitted with couplers according to IEC 603320-2-3.
- ◆ Up to 25 m of Black & Decker 1.5 mm HO5WF 3-core extension cable can be used without loss of power.
- ◆ If the supply cord is damaged, it must be replaced by the manufacturer or an authorised Black & Decker Service Centre in order to avoid a hazard.

Features

1. Carrying strap
2. Speed control knob
3. On/off switch
4. Collection bag handle
5. Collection bag
6. Blow clamshell
7. Blow tube
8. Scraper
9. Vacuum tube - lower
10. Vacuum tube - upper
11. Locking ring
12. Release button
13. Powerhead

Assembly

Warning! Before assembly, make sure that the appliance is switched off and unplugged.

Vacuum tube assembly (fig. A)

The vacuum tubes must be assembled together before use.

Warning! Do not operate the appliance with the vacuum tubes separated.

- ◆ To ease assembly, apply a soapy water solution to the joint area.
- ◆ Align the notches (15) and the triangles (14) on the upper (10) and lower (9) vacuum tubes.
- ◆ Push the lower vacuum tube (9) firmly into the upper vacuum tube (10) until the triangles click into place.

Warning! Do not separate the tubes once assembled.

Blow tube assembly (fig. B)

The blow tube must be assembled to the blow clamshell before use.

- ◆ Align the circles (16) on the blow clamshell (6) and the blow tube (7).
- ◆ Push the blow tube (7) firmly onto the blow clamshell (6) until the circles click into place.

Warning! Do not separate the tubes once assembled.

Carrying strap assembly (fig. C - D)

Fit the carrying strap (1) to the appliance and adjust to suit the user.

- ◆ Clip the hook (17) through the eyelet (18).
- ◆ Adjust the length of the loop with the buckle (19).

Use

Switching on and off (fig. E)

Warning! Use both hands to grip the product firmly when switching on.

- ◆ To switch the appliance on, slide the on/off switch (3) forward.
- ◆ To switch the appliance off, slide the on/off switch (3) back.

2-speed control (fig. E)

- ◆ For extra control, your blowvac is fitted with a speed control knob (2) located on the handle of the powerhead.
- ◆ Set the speed control knob (2) to the required speed range. Position I for low-speed, position II for high-speed.

Cable restraint (fig. F)

- ◆ A cable restraint (21) is incorporated into the rear of the powerhead.
- ◆ Loop the cable (20) through the cable restraint (21).

Using your product (fig. G)

Warning! When using as a blower or vacuum, always wear safety glasses. If using in dusty conditions, wear a filter mask as well.

Warning! Switch off your product, allow the fan to stop and remove the plug from the socket before carrying out any adjustment, servicing or maintenance.

Blow mode (fig. G H and I)

Note: Make sure that the locking ring is in the unlocked position (fig. I).

- ◆ Attach the blow clamshell (6) and tube (7) to the powerhead (13) (Fig. G) by locating the blower as indicated by the arrow, then pivot about this point and press the locking/release catch (12) until catch (22) is fully engaged.
- ◆ Turn the locking ring (11) clockwise to the locked position.
- ◆ Hold the blow tube approximately 180mm above the ground, switch on the appliance and using a sweeping motion from side to side, advance slowly keeping the accumulated debris/leaves in front of you (fig. H).
- ◆ Once you have blown the debris/leaves into a pile, you can convert to vacuum mode to collect the debris.

Removing the blow/vacuum tube (fig. I)

- ◆ To disconnect the blow clamshell (6) or vacuum tube (10) from the powerhead (13), turn the locking ring (11) counter-clockwise to the unlock position, then press the release button (12), making sure that the tube does not fall to the ground.
- ◆ The release button (12) will not operate if the locking ring (11) is in the locked position.

Vacuum mode (fig. J - N)

Fit the bag assembly to the blowvac (figs. J, K, L)

- ◆ For vacuuming/shredding, the collection bag (5) must be fitted.
- ◆ Locate the bag rim (23) into the bag holder channel (25) making sure that the front of the bag is placed over the vacuum outlet (24) (fig. J).
- ◆ Slide the bag fully into the channel and press the latch (26) to lock the handle into the bag top (fig. K and L).
- ◆ Position the tube slightly above the debris/leaves. Switch your blowvac on, and use a sweeping motion; the debris/leaves will be sucked up the tube, shredded and thrown into the collection bag (fig. M).
- ◆ For stubborn debris/leaves your vacuum tube is incorporated with a scraper (8). Use the scraper to loosen the debris and continue to vacuum as normal.

- ◆ As the bag fills, the power of the suction will decrease, switch off the blowvac and unplug from the mains power supply.
- ◆ To remove the bag, press the latch (26) to disengage from the bag holder and slide the bag out.
- ◆ To empty, hold the plastic collection bag handle (4) and grab the nylon handle (27) on the underside of the bag. Turn the bag upside down and shake out any debris and leaves.

Troubleshooting

Failure to operate	1	Check the connection to the power supply.
	2	Check the fuse in the plug, if blown, replace (UK only).
	3	Check that the blow/vacuum tube assembly is correctly fitted to the powerhead
	4	If the fuse continues to blow - immediately disconnect from the mains power supply and consult your local Black & Decker authorised repair agent.
	5	Check the locking ring position.
Poor vacuum/ high pitched whine	1	Switch off - disconnect from the mains power supply, debris should fall clear of the tube.
	2	Remove and empty the collection bag.
	3	Check that both the inlet and exit ports on the vacuum tube are clear.
	4	Remove any debris from the fan area.
	5	If poor vacuuming continues - immediately disconnect from the mains power supply and consult your local Black & Decker authorised repair agent.
Poor shredding	1	Switch off - disconnect from the mains power supply and remove the collection bag.
	2	Remove the vacuum tube and inspect the fan.
	3	Clean any debris from the fan blades.
	4	If the fan is cracked or damaged, do not use - consult your local Black & Decker authorised repair agent.

Maintenance

Your Black & Decker appliance has been designed to operate over a long period of time with a minimum of maintenance. Continuous satisfactory operation depends upon proper appliance care and regular cleaning.

- ◆ Keep the appliance clean and dry.
- ◆ Remove any leaves stuck to the inside of the vacuum tube.
- ◆ Regularly clean the ventilation slots with a clean, dry paint brush.
- ◆ To clean the appliance, use only mild soap and a damp cloth. Never let any liquid get inside the tool and never immerse any part of the tool into liquid. Do not use any abrasive or solvent-based cleaner.
- ◆ Self lubricating bearings are used in your product, therefore lubrication is not required.

Protecting the environment



Separate collection. This product must not be disposed of with normal household waste.

Should you find one day that your Black & Decker product needs replacement, or if it is of no further use to you, do not dispose of it with household waste. Make this product available for separate collection.



Separate collection of used products and packaging allows materials to be recycled and used again. Re-use of recycled materials helps prevent environmental pollution and reduces the demand for raw materials.

Local regulations may provide for separate collection of electrical products from the household, at municipal waste sites or by the retailer when you purchase a new product.

Black & Decker provides a facility for the collection and recycling of Black & Decker products once they have reached the end of their working life. To take advantage of this service please return your product to any authorised repair agent who will collect them on our behalf.

You can check the location of your nearest authorised repair agent by contacting your local Black & Decker office at the address indicated in this manual. Alternatively, a list of authorised Black & Decker repair agents and full details of our after-sales service and contacts are available on the Internet at: www.2helpU.com.

Technical data

	GW3010
Voltage	Vac 230
Power input	W 3000
Capacity	l 35
Weight (blower)	kg 3.4
Weight (vacuum)	kg 4.76

EC declaration of conformity

GW3010

Black & Decker declares that these products conform to:
98/37/EC, 2006/95/EEC, 2000/14/EC, EN55014, EN55104,
EN60335

Leaf blower/collector = 11m³/min, Annex V

Hand/arm weighted vibration value according to
EN ISO 5329: 12m/s²

Level of sound pressure measured according to 2000/14/EC:

Sound pressure (L_{pA}) 92 dB(A)

Acoustic power (L_{WA}) 105 dB(A)

Guaranteed (L_{WA}) 107 dB(A)

The undersigned is responsible for compilation of the
technical file and makes this declaration on behalf of
Black & Decker



Kevin Hewitt
Director of Consumer Engineering
Spennymoor, County Durham DL16 6JG,
United Kingdom
08-08-2008

Guarantee

Black & Decker is confident of the quality of its products and offers an outstanding guarantee. This guarantee statement is in addition to and in no way prejudices your statutory rights. The guarantee is valid within the territories of the Member States of the European Union and the European Free Trade Area.

If a Black & Decker product becomes defective due to faulty materials, workmanship or lack of conformity, within 24 months from the date of purchase, Black & Decker guarantees to replace defective parts, repair products subjected to fair wear and tear or replace such products to make sure of the minimum inconvenience to the customer unless:

- ◆ The product has been used for trade, professional or hire purposes.
- ◆ The product has been subjected to misuse or neglect.
- ◆ The product has sustained damage through foreign objects, substances or accidents.
- ◆ Repairs have been attempted by persons other than authorised repair agents or Black & Decker service staff.

To claim on the guarantee, you will need to submit proof of purchase to the seller or an authorised repair agent. You can check the location of your nearest authorised repair agent by contacting your local Black & Decker office at the address indicated in this manual. Alternatively, a list of authorised Black & Decker repair agents and full details of our after-sales service and contacts are available on the Internet at:
www.2helpU.com

Please visit our website **www.blackanddecker.co.uk** to register your new Black & Decker product and to be kept up to date on new products and special offers. Further information on the Black & Decker brand and our range of products is available at **www.blackanddecker.co.uk**.

Design and Patent information

European patent numbers: EP 0 723 758 B, EP 0 723 759 B and EP 1 430 825 B

European patent application number: EP 1 442 653 A

EC design registration numbers: 69750-0002, 69760-0003 and 712922-0001

US patent numbers: 5673457, 5604954 and 7266860

US patent application number: 2005/0177973

US design patent number: D498885

Bestimmungsgemäße Verwendung

Ihr Black & Decker Laubbläser/-sauger ist zur Beseitigung von Laub entwickelt worden. Dieses Gerät ist nicht für den gewerblichen Einsatz vorgesehen und darf nur im Freien verwendet werden.

Sicherheitshinweise

Achtung! Beachten Sie beim Umgang mit netzstrombetriebenen Geräten stets die grundlegenden Sicherheitshinweise, die im Folgenden beschrieben werden. Dadurch verhindern Sie Brände, Stromschläge und Personenschäden.

- ◆ Lesen Sie diese Anleitung vollständig und aufmerksam durch, bevor Sie das Gerät zum ersten Mal verwenden.
- ◆ Informieren Sie sich vor der Verwendung des Geräts, wie Sie es im Notfall ausschalten können.
- ◆ Heben Sie diese Anleitung auf.

Schulung

- ◆ Lesen Sie die Bedienungsanleitung sorgfältig durch. Machen Sie sich mit den Bedienelementen und dem ordnungsgemäßen Gebrauch des Geräts vertraut.
- ◆ Das Gerät darf nicht von Personen genutzt werden, die die vorliegende Anleitung nicht gelesen haben. Das Gerät darf nicht von Kindern genutzt werden. Beachten Sie lokale Richtlinien, in denen unter Umständen ein Mindestalter für den Bediener festgelegt ist.
- ◆ Andere Personen, insbesondere Kinder, und Haustiere sollten immer einen Sicherheitsabstand einhalten.
- ◆ Der Bediener ist für eventuelle Personen- oder Sachschäden verantwortlich.

Vorbereitungen

- ◆ Bedienen Sie dieses Gerät nicht barfuß oder in Sandalen.
- ◆ Tragen Sie zum Schutz Ihrer Beine und Füße stets lange Hosen und festes Schuhwerk bzw. Stiefel. Frisch gemähtes Gras ist feucht und rutschig. Schuhwerk aus Gummi oder Kunststoff sorgt für zusätzliche Sicherheit.
- ◆ Verwenden Sie eine geeignete Schutzausrüstung. Tragen Sie eine Schutzbrille, wenn Sie mit dem Gerät arbeiten.
- ◆ Es wird empfohlen, eine geeignete Schutzmaske zu tragen, um Reizungen durch aufgewirbelten Staub zu vermeiden.
- ◆ Sie können während der Arbeit einen Gehörschutz verwenden.

Achtung! Lange Haare müssen auf Schulterlänge zurückgebunden werden. Halten Sie lose Teile Ihrer Kleidung wie Krawatten, Kordeln oder Bänder fern von Geräteöffnungen und beweglichen Teilen.

- ◆ Das Netzkabel sollte regelmäßig auf Anzeichen von Beschädigungen oder Verschleiß überprüft werden. Verwenden Sie nur einwandfreie Kabel.
- ◆ Stellen Sie vor dem Gebrauch sicher, dass das Gerät einsatzbereit ist und dass alle Teile gesichert sind.
- ◆ Das Gerät darf nicht verwendet werden, wenn einzelne Teile beschädigt oder stark abgenutzt sind.
- ◆ Saugen Sie keine brennenden Materialien wie Zigaretten ein.
- ◆ Verenden Sie den Laubbläser/-sauger nicht in explosionsgefährdeter Umgebung, da die Motoren dieser Geräte Funken verursachen, die Gase entzünden können.

Betrieb

- ◆ Verwenden Sie den Saugmodus nur, wenn die Saugrohre und der Auffangbeutel angebracht sind.
- ◆ Schalten Sie in folgenden Fällen das Gerät stets aus, warten Sie bis das Gebläse zum Stillstand gekommen ist, und ziehen Sie den Netzstecker:
 - Wenn Sie von Blas- auf Saugbetrieb wechseln.
 - Wenn das Netzkabel verheddert oder beschädigt ist.
 - Wenn Sie das Gerät unbeaufsichtigt lassen.
 - Wenn eine Verstopfung entfernt werden muss.
 - Wenn das Gerät überprüft, eingestellt oder gereinigt wird.
 - Wenn das Gerät ungewöhnlich stark zu vibrieren beginnt.
- ◆ Halten Sie während dem Betrieb Ihre Augen und Ohren von der Saug- und der Auswurföffnung fern. Richten Sie das Gebläse nicht in Richtung von Personen in Ihrer Nähe.
- ◆ Nicht im Regen verwenden oder dem Regen aussetzen.
- ◆ Betreiben Sie das Gerät nur bei Tageslicht oder bei angemessener Beleuchtung.
- ◆ Schalten Sie das Gerät vor dem Überqueren von Kieswegen aus. Rennen Sie nicht mit dem Gerät.
- ◆ Legen Sie das eingeschaltete Gerät nicht auf Kies ab.
- ◆ Achten Sie stets auf Trittsicherheit, insbesondere bei Arbeiten an Hängen. Achten Sie jederzeit auf einen sicheren Stand und eine sichere Balance.
- ◆ Saugen Sie keine Materialien auf, die mit entzündlichen Flüssigkeiten wie Benzin getränkt sein könnten. Verwenden Sie das Gerät nicht in der Nähe solcher Materialien.
- ◆ Stecken Sie keine Gegenstände in Öffnungen des Geräts. Verwenden Sie das Gerät nicht, wenn die Öffnungen verstopft sind. Halten Sie die Öffnungen frei von Haaren, Flusen, Staub usw., damit der Luftstrom nicht beeinträchtigt wird.

Achtung! Befolgen Sie beim Gebrauch stets die Anweisungen in dieser Anleitung. Das Gerät wurde für den aufrechten Gebrauch entwickelt, andere Verwendungsarten können Verletzungen verursachen. Verwenden Sie das Gerät nicht mit der Saugöffnung nach oben oder wenn es auf der Seite liegt.

- ◆ Tragen Sie das Gerät nicht am Kabel.
- ◆ Das Kabel sollte stets hinter dem Gerät geführt werden.

Achtung! Trennen Sie das Gerät sofort vom Stromnetz, wenn das Netzkabel während des Betriebs beschädigt wird.

Berühren Sie das Kabel nicht, solange der Stecker noch in der Netzsteckdose steckt.

Wartung und Aufbewahrung

- ◆ Prüfen Sie das Gerät vor der Verwendung auf beschädigte oder defekte Teile. Betreiben Sie das Gerät nie mit defekten oder fehlenden Schutzvorrichtungen, wie z. B. dem Auffangbehälter. Überprüfen Sie, ob bewegliche Teile falsch ausgerichtet oder falsch angebracht und ob Teile, Schutzvorrichtungen oder Schalter beschädigt sind. Achten Sie auch auf andere Beschädigungen, die den Betrieb des Gerätes beeinträchtigen können.
- ◆ Stellen Sie sicher, dass das Gerät ordnungsgemäß funktioniert. Betreiben Sie das Gerät nie, wenn Schutzvorrichtungen oder Abdeckungen beschädigt oder nicht vorhanden sind.
- ◆ Betreiben Sie das Gerät nicht, wenn ein Teil beschädigt oder defekt ist. Verwenden Sie das Gerät nicht, wenn der Schalter zum Ein- und Ausschalten nicht funktioniert.
- ◆ Lassen Sie beschädigte oder defekte Teile in einer Vertragswerkstatt reparieren oder austauschen.
- ◆ Überprüfen Sie das Kabel regelmäßig auf Beschädigungen. Wenn das Kabel beschädigt ist, muss es in einer Vertragswerkstatt repariert oder ausgetauscht werden, um mögliche Unfälle zu vermeiden. Überprüfen Sie Verlängerungskabel regelmäßig auf Beschädigungen. Ersetzen Sie umgehend beschädigte Verlängerungskabel.
- ◆ Reinigen Sie das Gerät nicht mit Reinigungs- oder Lösungsmitteln. Entfernen Sie Gras und Verschmutzungen mit einem stumpfen Schaber.
- ◆ Überprüfen Sie den Auffangbehälter regelmäßig auf Abnutzungen und Beschädigungen.
- ◆ Bewahren Sie das Gerät bei Nichtgebrauch an einem trockenen Ort auf. Kinder sollten keinen Zugang zu aufbewahrten Geräten haben.
- ◆ Ersatzgebläse sind in Black & Decker Vertretungen erhältlich. Verwenden Sie nur von Black & Decker empfohlene Ersatz- und Zubehörteile.

Zusätzliche Sicherheitshinweise für Laubbläser/-sauger

- ◆ Dieses Gerät darf nicht von Personen (einschließlich Kindern) mit eingeschränkten körperlichen, sensorischen oder geistigen Fähigkeiten sowie mangelnder Erfahrung und Wissen in Bezug auf dessen Gebrauch bedient werden, es sei denn, sie werden bei der Verwendung des Geräts von einer erfahrenen Person beaufsichtigt oder angeleitet.
- ◆ Kinder müssen beaufsichtigt werden, um sicherzustellen, dass sie nicht mit dem Gerät spielen.
- ◆ Ist das Netzkabel beschädigt, muss es durch den Hersteller oder eine Black & Decker Vertragswerkstatt ausgetauscht werden, um eine mögliche Gefährdung zu vermeiden.

Symbole



Lesen Sie die Bedienungsanleitung vor Inbetriebnahme.



Nicht im Regen verwenden oder dem Regen aussetzen.



Ausschalten: Vor der Reinigung bzw. Wartung Netzstecker ziehen.



Tragen Sie eine Schutzbrille und einen Gehörschutz, wenn Sie mit dem Gerät arbeiten.



Halten Sie Zuschauer aus dem Gefahrenbereich fern.

Elektrische Sicherheit



Dieses Gerät ist schutzisoliert, daher ist keine Erdleitung erforderlich. Überprüfen Sie immer, ob die Netzspannung der auf dem Typenschild des Gerätes angegebenen Spannung entspricht.

- ◆ Ist das Netzkabel beschädigt, muss es durch den Hersteller oder eine Black & Decker Vertragswerkstatt ausgetauscht werden, um eine mögliche Gefährdung zu vermeiden.
- ◆ Die elektrische Sicherheit lässt sich durch Verwendung eines Fehlerstromschutzschalters (30 mA) erhöhen.

Verlängerungskabel

- ◆ Verwenden Sie beim Betrieb des Geräts im Freien nur wetterfeste Verlängerungskabel mit Verbindungen gemäß IEC 603320-2-3.
- ◆ Bei dreidadrigen 1,5-mm-H05WF-Kabeln von Black & Decker treten bis 30 m Kabellänge keine Leistungsverluste auf.

- ◆ Ist das Netzkabel beschädigt, muss es durch den Hersteller oder eine Black & Decker Vertragswerkstatt ausgetauscht werden, um eine mögliche Gefährdung zu vermeiden.

Merkmale

1. Trageriemen
2. Geschwindigkeitsregler
3. Ein-/Ausschalter
4. Auffangbehältergriff
5. Auffangbehälter
6. Gebläseaufsatz
7. Gebläserohr
8. Schaber
9. Unteres Saugrohr
10. Oberes Saugrohr
11. Sicherungsring
12. Entriegelungstaste
13. Antriebseinheit

Montage

Achtung! Vergewissern Sie sich vor der Montage, dass das Gerät ausgeschaltet und von der Stromversorgung getrennt ist.

Montage des Saugrohrs (Abb. A)

Das Saugrohr muss vor der Verwendung montiert werden.

Achtung! Verwenden Sie das Gerät ausschließlich mit vollständig montiertem Saugrohr.

- ◆ Die Verwendung von Seifenlauge an der Verbindungsstelle erleichtert die Montage.
- ◆ Richten Sie die Kerben (15) und die Dreiecke (14) am oberen (10) und unteren (9) Saugrohr aus.
- ◆ Drücken Sie das untere Saugrohr (9) kräftig in das obere Saugrohr (10), bis die Dreiecke einrasten.

Achtung! Versuchen Sie nicht, das Rohr nach der Montage wieder zu zerlegen.

Montage des Gebläserohrs (Abb. B)

Das Gebläserohr muss vor Inbetriebnahme am Gebläseaufsatz angebracht werden.

- ◆ Richten Sie die Kreise (16) auf dem Gebläseaufsatz (6) und dem Gebläserohr (7) aus.
- ◆ Drücken Sie das Gebläserohr (7) kräftig auf den Gebläseaufsatz (6), bis die Kreise einrasten.

Achtung! Versuchen Sie nicht, das Rohr nach der Montage wieder zu zerlegen.

Montage des Trageriemens (Abb. C bis D)

Befestigen Sie den Trageriemen (1) am Gerät, und stellen Sie die Länge dem Benutzer entsprechend ein.

- ◆ Befestigen Sie den Haken (17) an der entsprechenden Öse (18).
- ◆ Passen Sie die Länge mithilfe der Schnalle (19) an.

Gebrauch

Ein- und Ausschalten (Abb. E)

Achtung! Halten Sie das Gerät beim Einschalten mit beiden Händen sicher fest.

- ◆ Zum Einschalten des Geräts schieben Sie den Ein-/Aus-Schalter (3) nach vorn.
- ◆ Zum Ausschalten des Geräts schieben Sie den Ein-/Aus-Schalter (3) nach hinten.

2-Stufen-Geschwindigkeitsregler (Abb. E)

- ◆ Für eine bessere Steuerung verfügt der Laubbläser/-sauger über einen Geschwindigkeitsregler (2) auf der Oberseite der Antriebseinheit.
- ◆ Stellen Sie den Regler (2) auf die gewünschte Geschwindigkeit ein. Position I für eine niedrige Geschwindigkeit, Position II für eine hohe Geschwindigkeit.

Kabelhalterung (Abb. F)

- ◆ An der Antriebseinheit befindet sich eine Kabelhalterung (21).
- ◆ Führen Sie das Kabel (20) durch die Kabelhalterung (21).

Verwenden des Geräts (Abb. G)

Achtung! Tragen Sie beim Gebrauch des Laubbläse/saugers stets eine Schutzbrille. Tragen Sie in staubigen Umgebungen zusätzlich eine Filtermaske.

Achtung! Schalten Sie das Gerät vor Anpassungen oder Wartungsarbeiten aus, warten Sie bis das Gebläse zum Stillstand gekommen ist, und ziehen Sie den Netzstecker.

Gebläsemodus (Abb. G, H und I)

Hinweis: Stellen Sie sicher, dass der Sicherungsring geöffnet ist (Abb. I).

- ◆ Montieren Sie den Gebläseaufsatz (6) und das -rohr (7) an der Antriebseinheit (13) (Abb. G), indem Sie das Gebläse in die mit dem Pfeil angezeigte Position bringen, durch eine Drehbewegung ausrichten und die Entriegelungstaste (12) drücken, bis der Haken (22) vollständig eingerastet ist.
- ◆ Drehen Sie den Sicherungsring (11) im Uhrzeigersinn, um die montierten Teile zu sichern.
- ◆ Halten Sie das Gebläserohr ca. 180 mm über dem Boden, schalten Sie das Gerät ein, und führen Sie das Gerät mit Kehrbewegungen von einer Seite zu anderen. Gehen Sie langsam vorwärts, und bleiben Sie stets hinter dem gesammelten Laub und Schmutz (Abb. H).

- ◆ Wenn Sie die Blätter/den Schmutz zu einem Haufen zusammengeblasen haben, können Sie in den Saugmodus wechseln und den Schmutz aufsaugen.

Entfernen des Gebläse-/Saugrohrs (Abb. I)

- ◆ Um den Gebläseaufsatz (6) oder das Saugrohr (10) von der Antriebseinheit (13) zu entfernen, drehen Sie den Sicherungsring (11) gegen den Uhrzeigersinn, und drücken Sie den Entriegelungstaste (12). Achten Sie darauf, dass das Rohr nicht zu Boden fällt.
- ◆ Der Entriegelungstaste (12) kann nur betätigt werden, wenn der Sicherungsring (11) geöffnet ist.

Saugmodus (Abb. J bis N)

Anbringen des Auffangbehälters (Abb. J, K, L)

- ◆ Der Auffangbehälter (5) muss zum Saugen/Häckseln angebracht werden.
- ◆ Schieben Sie den Rand des Auffangbehälters (23) in die Nut der Halterung (25), und stellen Sie sicher, dass sich die Vorderseite des Behälters über der Auswurföffnung befindet (24) (Abb. J).
- ◆ Schieben Sie den Behälter vollständig in die Nut, und drücken Sie die Verriegelung (26), um den Griff an der Oberseite des Behälters zu sichern (Abb. K und L).
- ◆ Halten Sie das Rohr dicht über das Laub/den Schmutz. Schalten Sie den Laubbläser/-sauger an, und saugen Sie das Laub/den Schmutz mit Kkehrbewegungen auf. Das aufgesaugte Material wird gehäckselt und im Auffangbehälter gesammelt (Abb. M).
- ◆ Zum Lösen hartnäckiger Blätter und Verschmutzungen verfügt der Laubbläser/-sauger über einen Schaber (8). Lösen Sie die Verschmutzungen mit dem Schaber, und arbeiten Sie wie gewohnt weiter.
- ◆ Die Saugleistung lässt nach, wenn der Auffangbehälter gefüllt ist. Schalten Sie das Gerät aus, und ziehen Sie den Netzstecker.
- ◆ Drücken Sie zum Entfernen des Behälters die Verriegelung (26), um den Behälter aus der Halterung zu lösen. Ziehen Sie den Behälter heraus.
- ◆ Halten Sie zum Leeren den Behälter am Plastikgriff (4) fest, und fassen Sie den Nylongriff (27) an der Unterseite des Behälters. Drehen Sie den Sack um, und schütteln Sie den Schmutz und das Laub aus.

Problemebehebung

Gerät kann nicht eingeschaltet werden	1	Überprüfen Sie die Stromversorgung.
	2	Überprüfen Sie die Sicherung des Steckers, und ersetzen Sie diese ggf. (nur Großbritannien).
	3	Überprüfen Sie, ob das Gebläse-/Saugrohr ordnungsgemäß an der Antriebseinheit angebracht ist.
	4	Wenn Sie Sicherung weiterhin durchbrennt, ziehen Sie unverzüglich den Netzstecker, und wenden Sie sich bezüglich der Reparatur an eine Black & Decker Vertretung.
	5	Überprüfen Sie den Sicherungsring.
Geringe Saugleistung/ hohes Pfeifen	1	Schalten sie das Gerät aus, und ziehen Sie den Netzstecker. Das verstopfte Material sollte sich aus dem Rohr lösen.
	2	Entfernen Sie den Auffangbehälter, und leeren Sie diesen.
	3	Überprüfen Sie, ob die Einsaug- und Auswurföffnungen des Saugrohrs verstopft sind.
	4	Entfernen Sie alle Verschmutzungen im Gebläsebereich.
	5	Wenn die Saugleistung sich nicht verbessert, ziehen Sie unverzüglich den Netzstecker, und wenden Sie sich bezüglich der Reparatur an eine Black & Decker Vertretung.
Geringe Häckselleistung	1	Schalten Sie das Gerät ab, ziehen Sie den Netzstecker, und entfernen Sie den Auffangbehälter.
	2	Entfernen Sie das Saugrohr, und überprüfen Sie das Gebläse.
	3	Entfernen Sie alle Verschmutzungen von den Gebläsefüßeln.
	4	Wenn das Gebläse gebrochen oder beschädigt ist, wenden Sie sich bezüglich der Reparatur an eine örtliche Black & Decker Vertretung.

Wartung

Ihr Black & Decker Gerät wurde im Hinblick auf eine lange Lebensdauer und einen möglichst geringen Wartungsaufwand entwickelt. Ein dauerhafter, einwandfreier Betrieb setzt eine regelmäßige Pflege und Reinigung voraus.

- ◆ Bewahren Sie das Gerät sauber und trocken auf.
- ◆ Entfernen Sie sämtliche Blätter aus dem Saugrohr.
- ◆ Reinigen Sie die Lüftungsschlitze regelmäßig mit einem sauberen, trockenen Pinsel.
- ◆ Reinigen Sie das Gerät ausschließlich mit milder Seifenlösung und einem angefeuchteten Tuch. Achten Sie darauf, dass keine Flüssigkeit in das Gerät gelangt. Tauchen Sie kein Teil des Geräts in Flüssigkeit ein. Verwenden Sie keine scheuernden Reinigungsmittel oder Reinigungsmittel auf Lösungsmittelbasis.
- ◆ Das Gerät verfügt über selbstschmierende Lager, weiteres Schmieren ist nicht erforderlich.

Umweltschutz



Getrennte Entsorgung. Dieses Produkt darf keinesfalls mit dem Hausmüll entsorgt werden.

Sollten Sie Ihr Black & Decker Produkt eines Tages ersetzen oder nicht mehr benötigen, entsorgen Sie es nicht mit dem Hausmüll, sondern führen Sie das Produkt einer getrennten Sammlung zu.



Durch die separate Sammlung von ausgedienten Produkten und Verpackungsmaterialien können Rohstoffe recycelt und wiederverwendet werden. Die Wiederverwendung aufbereiteter Materialien trägt zur Vermeidung der Umweltverschmutzung bei und senkt den Rohstoffbedarf.

Die Verordnung zur Abfallentsorgung Ihrer Gemeinde sieht möglicherweise vor, dass Elektrogeräte getrennt vom Hausmüll gesammelt, an der örtlichen Abfallentsorgungseinrichtung abgegeben oder beim Kauf eines neuen Produkts vom Fachhandel zur Entsorgung angenommen werden müssen.

Black & Decker nimmt Ihre ausgedienten Black & Decker Geräte gern zurück und sorgt für eine umweltfreundliche Entsorgung bzw. Wiederverwertung. Um diese Dienstleistung in Anspruch zu nehmen, geben Sie das Gerät bitte bei einer autorisierten Reparaturwerkstatt ab, die für uns die Einsammlung übernimmt.

Die Adresse der zuständigen Niederlassung von Black & Decker steht in dieser Anleitung. Diese teilt Ihnen gerne die nächstgelegene Vertragswerkstatt mit. Außerdem ist eine Liste der Vertragswerkstätten und aller Kundendienststellen von Black & Decker sowie der zuständigen Ansprechpartner im Internet zu finden unter: www.2helpU.com.

Technische Daten

GW3010	
Spannung	VAC 230
Leistungsaufnahme	W 3000
Kapazität	l 35
Gewicht (Laubgebläse)	kg 3,4
Gewicht (Laubsauger)	kg 4,76

EU-Konformitätserklärung

GW3010

Black & Decker erklärt, dass diese Produkte den folgenden Normen entsprechen:

98/37/EC, 2006/95/EEC, 2000/14/EC, EN55014, EN55104, EN60335

Laubgebläse/-sauger = 11 m³/min, Anhang V

Gewichteter Hand-/Arm-Vibrationswert nach EN ISO 5329: 12 m/s²

Schalldruckpegel, gemessen nach 2000/14/EG:

Schalldruck (L_{pA}) 92 dB(A)

Schalleistung (L_{WA}) 105 dB(A)

Garantiert (L_{WA}) 107 dB(A)

Der Unterzeichnete ist verantwortlich für die Zusammenstellung der technischen Daten und gibt diese Erklärung im Namen von Black & Decker ab.

Kevin Hewitt

Director of Consumer Engineering
Spennymoor, County Durham DL16 6JG,
Vereinigtes Königreich

08.08.2008

Patent- und Geschmacksmusterschutz

Europäische Patentnummern: EP 0 723 758 B, EP 0 723 759 B und EP 1 430 825 B

Zum europäischen Patent angemeldet unter der Nummer: EP 1 442 653 A

Gemeinschaftsgeschmacksmuster-Nummern: 69750-0002, 69760-0003 und 712922-0001

US-Patentnummern: 5673457, 5604954 und 7266860

Zum US-Patent angemeldet unter der Nummer: 2005/0177973

US-Geschmacksmusternummer: D498885

Garantie

Black & Decker vertraut auf die Qualität der eigenen Geräte und bietet dem Käufer eine außergewöhnliche Garantie. Diese Garantiezusage versteht sich unbeschadet der gesetzlichen Gewährleistungsansprüche und schränkt diese keinesfalls ein. Sie gilt in sämtlichen Mitgliedstaaten der Europäischen Union und der Europäischen Freihandelszone EFTA.

Tritt innerhalb von 24 Monaten ab Kaufdatum an einem Gerät von Black & Decker ein auf Material- oder Verarbeitungsfehler zurückzuführender Mangel auf, garantiert Black & Decker den Austausch defekter Teile, die Reparatur von Geräten mit üblichem Verschleiß bzw. den Austausch eines mangelhaften Gerätes, ohne dass dem Kunden dabei mehr als unvermeidlich Unannehmlichkeiten entstehen, allerdings vorbehaltlich folgender Ausnahmen:

- ◆ wenn das Gerät gewerblich, beruflich oder im Verleihgeschäft benutzt wurde;
- ◆ wenn das Gerät missbräuchlich verwendet oder mit mangelnder Sorgfalt behandelt wurde;
- ◆ wenn das Gerät durch irgendwelche Fremdeinwirkung beschädigt wurde;
- ◆ wenn ein unbefugter Reparaturversuch durch anderes Personal als das einer Vertragswerkstatt oder des Black & Decker Kundendienstes unternommen wurde.

Zur Inanspruchnahme dieser Garantie ist dem Verkäufer bzw. der Vertragswerkstatt ein Kaufnachweis vorzulegen. Die Adresse der zuständigen Niederlassung von Black & Decker steht in dieser Anleitung. Diese teilt Ihnen gerne die nächstgelegene Vertragswerkstatt mit. Außerdem ist eine Liste der Vertragswerkstätten und aller Kundendienststellen von Black & Decker sowie der zuständigen Ansprechpartner im Internet zu finden unter:

www.2helpU.com

Bitte besuchen Sie unsere Webseite

www.blackanddecker.de, um Ihr neues Black & Decker Produkt zu registrieren. Dort erhalten Sie auch Informationen über neue Produkte und Sonderangebote. Weitere Informationen über die Marke Black & Decker und unsere Produkte finden Sie unter **www.blackanddecker.de**.

Utilisation

Votre aspirateur-souffleur Black & Decker est conçu pour ramasser les feuilles mortes. Cet appareil ne peut être utilisé qu'à l'extérieur et que pour les travaux domestiques.

Consignes de sécurité

Attention ! De simples précautions sont à prendre pour l'utilisation d'outils branchés au secteur. Les conseils suivants doivent toujours être respectés, ceci afin de réduire le risque d'incendie, les chocs électriques et les blessures personnelles.

- ◆ Lisez attentivement et entièrement le manuel avant d'utiliser l'outil.
- ◆ Avant d'utiliser l'outil, apprenez à l'arrêter en cas d'urgence.
- ◆ Gardez ce manuel pour référence ultérieure.

Apprentissage

- ◆ Lisez attentivement ces instructions. Familiarisez-vous avec les commandes et la manière appropriée d'utiliser l'outil.
- ◆ Ne laissez pas les enfants ou toute autre personne n'ayant pas connaissance de ces instructions, utiliser l'appareil. Certaines réglementations locales mentionnent un âge limite de l'utilisateur.
- ◆ Ne laissez personne, surtout les enfants, ou les animaux s'approcher de l'outil pendant l'utilisation.
- ◆ N'oubliez pas que l'utilisateur est tenu pour responsable des risques et des accidents causés à autrui ou aux biens d'autrui.

Préparation

- ◆ N'utilisez pas cet appareil si vous portez des sandales ou si vous êtes pieds nus.
- ◆ Pour protéger vos pieds et vos jambes, portez toujours des chaussures renforcées ou des bottes et des pantalons – l'herbe coupée est humide et glissante. Votre sécurité est améliorée en portant des chaussures en caoutchouc ou des chaussures de chantier.
- ◆ Portez un équipement de protection. Portez toujours des lunettes de sécurité pendant le travail.
- ◆ Pour éviter les irritations dues à la poussière, il est recommandé de porter un masque.
- ◆ Portez des protections auditives si le niveau sonore semble trop élevé pendant le fonctionnement.

Attention ! Les cheveux longs doivent être attachés et au-dessus des épaules. Si vous portez des vêtements amples, une cravate et des pendentifs, éloignez-les des pièces en mouvement et des ouvertures.

- ◆ Le câble d'alimentation doit être régulièrement vérifié pour détecter des signes d'usure ou de vieillissement. Il ne doit être utilisé que s'il est en bon état.

- ◆ Vérifiez toujours que votre appareil peut être utilisé sans danger et que toutes les pièces sont en bon état avant l'utilisation.
- ◆ N'utilisez pas l'appareil si une pièce est endommagée ou usée.
- ◆ N'aspirez pas des éléments brûlants comme des mégots de cigarette.
- ◆ N'utilisez pas l'aspirateur-souffleur dans un milieu où il y a risque d'explosion ou d'émission de gaz. Le moteur de ces appareils fait des étincelles, celles-ci pourraient provoquer des émanations.

Utilisation

- ◆ N'utilisez pas en mode aspiration sans les tubes d'aspirateur et le sac de ramassage en place.
- ◆ Éteignez toujours l'appareil, laissez le ventilateur s'arrêter et débranchez la prise murale quand :
 - Vous passez du souffleur à l'aspirateur.
 - Le câble d'alimentation est endommagé ou entremêlé.
 - Vous laissez l'appareil sans surveillance.
 - Vous éliminez un élément qui bouche l'appareil.
 - Vous vérifiez, ajustez, nettoyez ou réparez votre appareil.
 - L'appareil commence à vibrer anormalement.
- ◆ Ne placez pas l'entrée ou la sortie de l'aspirateur près des yeux ou des oreilles pendant le fonctionnement. Ne soufflez jamais les débris dans la direction de personnes.
- ◆ N'utilisez en aucun cas l'appareil sous la pluie et ne le laissez pas en plein air par temps pluvieux.
- ◆ Utilisez cet appareil uniquement dans la journée ou avec un éclairage artificiel approprié.
- ◆ Ne traversez pas des passages avec graviers quand votre appareil est en mode aspiration/soufflage. Marchez, ne courez jamais.
- ◆ Ne posez pas l'appareil sur les graviers quand il est en marche.
- ◆ Faites attention à votre position, surtout dans les pentes. Ne faites aucun effort non approprié et gardez votre équilibre en permanence.
- ◆ N'aspirez pas des éléments qui pourraient être contaminés par des liquides inflammables ou combustibles ou dans des zones où ces produits pourraient être présents.
- ◆ Ne placez aucun objet dans les ouvertures. N'utilisez jamais l'appareil si les ouvertures sont bloquées – dégagez la poussière, les cheveux et les peluches qui pourraient bloquer le passage d'air.

Attention ! Utilisez toujours cet appareil en respectant les consignes de ce manuel. Votre appareil doit être utilisé verticalement pour éviter les risques de blessure. N'utilisez jamais cet appareil vers le haut ou posé sur le côté.

- ◆ Ne portez pas l'appareil par le câble.
- ◆ Le câble doit toujours être éloigné vers l'arrière de l'appareil.

Attention ! Si un câble est endommagé pendant l'utilisation, débranchez immédiatement l'appareil. **Ne touchez surtout pas le câble avant de l'avoir débranché.**

Entretien et rangement

- ◆ Avant l'utilisation, vérifiez si l'appareil est en bon état ou si aucune pièce ne manque. N'utilisez jamais l'appareil avec des protections défectueuses ou sans dispositif de protection, comme par exemple le sac de ramassage. Vérifiez que les parties en mouvement fonctionnent correctement et qu'elles sont correctement placées. Vérifiez l'état des protections et des commandes. Vérifiez l'état général pour repérer ce qui pourrait nuire au bon fonctionnement.
- ◆ Vérifiez le fonctionnement de l'appareil et de ses différentes options. N'utilisez jamais l'appareil quand une protection est endommagée ou mal installée.
- ◆ N'utilisez pas l'appareil si une pièce est endommagée ou défectueuse. N'utilisez pas l'appareil si le bouton marche/arrêt est défectueux.
- ◆ Faites réparer ou remplacer les pièces défectueuses ou endommagées par un réparateur agréé.
- ◆ Vérifiez régulièrement l'état du câble. Si le câble est endommagé, il doit être remplacé par un réparateur agréé pour éviter tout risque d'accident. Vérifiez régulièrement les rallonges. Remplacez immédiatement la rallonge si elle est en mauvais état.
- ◆ N'utilisez aucun liquide de nettoyage ou solvants pour nettoyer votre appareil – utilisez un grattoir pour retirer l'herbe et les saletés.
- ◆ Vérifiez régulièrement l'état du sac de ramassage.
- ◆ Quand il n'est pas utilisé, l'outil doit être rangé dans un endroit sec. Une fois rangés, les outils ne doivent pas être accessibles aux enfants.
- ◆ Des ventilateurs de rechange sont disponibles chez votre réparateur agréé Black & Decker. N'utilisez que des pièces de remplacement et des accessoires recommandés par Black & Decker.

Consignes de sécurité supplémentaires pour l'utilisation des aspirateurs-souffleurs

- ◆ Cet appareil ne doit pas être utilisé par des personnes (y compris les enfants) ayant des déficiences physiques, mentales ou sensorielles. Cette consigne s'applique aussi aux personnes manquant d'expérience et de connaissance du matériel, à moins que celles-ci n'aient reçu les instructions appropriées ou qu'elles soient encadrées par une personne responsable de leur sécurité pour utiliser l'appareil.
- ◆ Ne laissez jamais les enfants sans surveillance pour éviter qu'ils ne jouent avec cet appareil.
- ◆ Si le câble d'alimentation est endommagé, il doit être remplacé par le fabricant ou par un centre de réparation agréé Black & Decker pour éviter tout risque.

Symboles



Lisez le manuel avant de l'utiliser.



N'utilisez en aucun cas l'appareil sous la pluie et ne le laissez pas en plein air par temps pluvieux.



Arrêtez l'appareil : débranchez-le de la prise secteur avant toute opération de nettoyage ou de maintenance.



Portez toujours des lunettes de sécurité et des protections auditives pour utiliser cet appareil.



Ne laissez personne s'en approcher.

Sécurité électrique



Cet outil est doublement isolé ; par conséquent, aucun câble de masse n'est nécessaire. Vérifiez si l'alimentation mentionnée sur la plaque signalétique de l'appareil correspond bien à la tension présente sur le lieu.

- ◆ Si le câble d'alimentation est endommagé, il doit être remplacé par le fabricant ou par un Centre de réparation agréé Black & Decker pour éviter tout risque d'accident.
- ◆ Utilisez un dispositif de courant résiduel à grande sensibilité, 30 mA (RCD) pour améliorer la sécurité électrique.

Rallonges

- ◆ Pour utiliser l'appareil en plein air, servez-vous uniquement de rallonges résistantes aux intempéries munies de coupleurs conformes aux normes de sécurité CEI 603320-2-3.

- ◆ Une rallonge Black & Decker HO5WF 1,5 mm de 25 m peut être utilisée sans perte de puissance.
- ◆ Si le câble d'alimentation est endommagé, il doit être remplacé par le fabricant ou par un centre de réparation agréé Black & Decker pour éviter tout risque.

Options

1. Lanière
2. Bouton de commande de vitesse
3. Manette marche/arrêt
4. Poignée du sac de ramassage
5. Sac de ramassage
6. Bloc du souffleur
7. Tube du souffleur
8. Grattoir
9. Tube de l'aspirateur - inférieur
10. Tube de l'aspirateur - supérieur
11. Bague de serrage
12. Bouton de dégagement
13. Bloc moteur

Assemblage

Attention ! Avant l'assemblage, assurez-vous que l'outil est éteint et débranché.

Assemblage du tube d'aspirateur (figure A)

Les tubes de l'aspirateur doivent être assemblés avant l'utilisation.

Attention ! N'utilisez pas l'appareil avec les tubes séparés.

- ◆ Pour assembler facilement les tubes, appliquez une couche d'eau savonneuse sur le raccord.
- ◆ Alignez les encoches (15) et les triangles (14) sur le tube d'aspirateur supérieur (10) et inférieur (9).
- ◆ Poussez fermement le tube d'aspirateur inférieur (9) dans le tube d'aspirateur supérieur (10) jusqu'à ce que les triangles s'enclenchent.

Attention ! Ne séparez pas les tubes une fois assemblés.

Assemblage du tube du souffleur (figure B)

Le tube du souffleur doit être raccordé au bloc avant l'utilisation.

- ◆ Alignez les cercles (16) sur le bloc (6) et le tube du souffleur (7).
- ◆ Poussez fermement le tube du souffleur (7) sur le bloc (6) jusqu'à ce que les cercles s'enclenchent.

Attention ! Ne séparez pas les tubes une fois assemblés.

Assemblage de la lanière (figures C - D)

Accrochez la lanière (1) à l'appareil et réglez-la.

- ◆ Accrochez l'attache (17) par l'œillet (18).
- ◆ Réglez la longueur de la lanière avec la boucle (19).

Utilisation

Mise en marche et arrêt (figure E)

Attention ! Tenez fermement l'appareil avec les deux mains pendant le fonctionnement.

- ◆ Pour mettre l'appareil en marche, glissez le bouton marche/arrêt (3) vers l'avant.
- ◆ Pour arrêter l'appareil, glissez le bouton marche/arrêt (3) vers l'arrière.

Commande de variation à 2 vitesses (figure E)

- ◆ Pour plus de contrôle, votre aspirateur-souffleur possède un bouton de commande de vitesse (2) qui se trouve sur la poignée du bloc moteur.
- ◆ Réglez le bouton de commande de vitesse (2) à la vitesse désirée. Position I pour basse vitesse, position II pour vitesse élevée.

Fixation du câble (figure F)

- ◆ Un dispositif de fixation (21) se trouve à l'arrière du bloc moteur.
- ◆ Entourez le câble (20) dans le dispositif de fixation (21).

Utilisation de votre appareil (figure G)

Attention ! Portez toujours des lunettes de sécurité pour les travaux de soufflage et d'aspiration. Pour les travaux dégageant de la poussière, portez aussi un masque.

Attention ! Éteignez toujours l'appareil, laissez le ventilateur s'arrêter et débranchez la prise avant d'effectuer des réglages, des entretiens ou des réparations.

Mode de soufflage (figures G, H et I)

Remarque : Assurez-vous que la bague de serrage est en position de déverrouillage (figure I).

- ◆ Attachez le bloc du souffleur (6) et le tube (7) au bloc moteur (13) (figure G) en plaçant le souffleur comme indiqué par la flèche, puis faites pivoter à partir de ce point et appuyez sur le cliquet de verrouillage/dégagement (12) jusqu'à ce que le cliquet (22) soit complètement enclenché.
- ◆ Tournez la bague de verrouillage (11) dans le sens des aiguilles d'une montre vers la position de verrouillage.
- ◆ Tenez le tube du souffleur à environ 180 mm au-dessus du sol, allumez l'appareil et avancez lentement en balayant d'un côté à l'autre et en gardant les feuilles/débris devant vous (figure H).
- ◆ Après avoir soufflé les feuilles/débris en tas, vous pouvez passer en mode aspiration pour ramasser les débris.

Retrait du tube d'aspirateur-souffleur (figure I)

- ◆ Pour retirer le bloc du souffleur (6) ou le tube d'aspirateur (10) du bloc moteur (13), tournez la bague de verrouillage (11) dans le sens contraire des aiguilles d'une montre vers la position de déverrouillage, puis appuyez sur le bouton de dégagement (12) en prenant les précautions nécessaires pour que le tube ne tombe pas.
- ◆ Le bouton de verrouillage (12) ne fonctionne pas si la bague de verrouillage (11) est en position de verrouillage.

Mode aspiration (figures J - N)

Assemblez le sac sur l'aspirateur-souffleur (figures J, K, L)

- ◆ Pour l'aspiration/broyage, le sac de ramassage (5) est nécessaire.
- ◆ Placez le bord du sac (23) dans la coulisse du support du sac (25) en s'assurant que l'avant du sac se trouve sur la sortie de l'aspirateur (24) (figure J).
- ◆ Glissez le sac sur la coulisse et appuyez sur l'attache (26) pour bloquer la poignée sur le haut du sac (figures K et L).
- ◆ Placez le tube légèrement au-dessus des débris/feuilles. Allumez votre aspirateur-souffleur et effectuez un balayage. Les débris/feuilles seront aspirés dans le tuyau, broyés et expédiés dans le sac de ramassage (figure M).
- ◆ Pour les débris/feuilles difficiles à aspirer, votre aspirateur est muni d'un grattoir (8). Utilisez le grattoir pour dégager les débris, puis continuez à aspirer normalement.
- ◆ Au fur et à mesure du remplissage, la puissance de l'aspiration faiblit. Arrêtez l'appareil et débranchez-le de la prise murale.
- ◆ Pour retirer le sac, appuyez sur l'attache (26) pour relâcher le support et sortir le sac.
- ◆ Pour vider le sac, tenez la poignée du sac de ramassage en plastique (4) et attrapez la pointe en nylon (27) en dessous du sac. Retournez le sac et secouez les débris et feuilles.

Dépannage

Fonctionnement impossible	1	Vérifiez le branchement à la prise.
	2	Vérifiez le fusible de la prise. S'il est grillé, remplacez-le (Royaume-Uni uniquement).
	3	Vérifiez si le tube d'aspiration/soufflage est correctement raccordé au bloc moteur.
	4	Si le fusible continue de griller – débranchez immédiatement l'appareil de la prise murale et consultez votre réparateur agréé Black & Decker local.
	5	Vérifiez l'installation de la bague de verrouillage.
Faible aspiration/ bruit strident	1	Arrêtez l'appareil – débranchez-le de la prise murale, les débris devraient tomber du tuyau.
	2	Retirez le sac de ramassage et videz-le.
	3	Vérifiez que l'entrée et la sortie du tube sont dégagées.
	4	Retirez les débris autour du ventilateur.
	5	Si l'aspiration reste inefficace – débranchez immédiatement l'appareil de la prise murale et consultez votre réparateur agréé Black & Decker local.
Broyage inefficace	1	Arrêtez l'appareil – débranchez-le de la prise murale et retirez le sac de ramassage.
	2	Retirez le tube de l'aspirateur et vérifiez le ventilateur.
	3	Nettoyez les débris sur les pales du ventilateur.
	4	Si le ventilateur est endommagé ou usé, ne l'utilisez pas - contactez votre réparateur agréé Black & Decker.

Entretien

Votre outil Black & Decker a été conçu pour fonctionner pendant longtemps avec un minimum d'entretien. Un fonctionnement continu satisfaisant dépend d'un nettoyage régulier et d'un entretien approprié de l'outil.

- ◆ Maintenez l'outil propre et sec.
- ◆ Retirez les feuilles collées à l'intérieur du tube de l'aspirateur.
- ◆ Nettoyez régulièrement les orifices de ventilation à l'aide d'une brosse sèche et propre.
- ◆ Pour nettoyer l'outil, utilisez exclusivement du savon doux et un chiffon humide. Évitez toute pénétration de liquide dans l'outil et ne plongez aucune pièce dans du liquide. N'utilisez pas de produit abrasif ou à base de solvant.
- ◆ Cet appareil est muni de roulements auto-lubrifiés, aucun graissage n'est donc nécessaire.

Protection de l'environnement



Recyclage. Cet appareil ne doit pas être jeté avec les déchets ménagers.

Si votre appareil Black & Decker doit être remplacé ou si vous n'en avez plus l'usage, ne le jetez pas avec les ordures ménagères. Songez à la protection de l'environnement et recyclez-les.



La collecte séparée des produits et des emballages usagés permet de recycler et de réutiliser des matériaux. La réutilisation de matériaux recyclés évite la pollution de l'environnement et réduit la demande de matières premières.

Des réglementations locales peuvent stipuler la collecte séparée des produits électriques et des produits ménagers, dans des déchetteries municipales ou par le revendeur lorsque vous achetez un nouveau produit.

Black & Decker offre une solution permettant de recycler les produits Black & Decker lorsqu'ils ont atteint la fin de leur cycle de vie. Pour pouvoir profiter de ce service, veuillez retourner votre produit à un réparateur agréé qui se chargera de le collecter pour nous.

Pour connaître l'adresse du réparateur agréé le plus proche de chez vous, contactez le bureau Black & Decker à l'adresse indiquée dans ce manuel. Vous pourrez aussi trouver une liste de réparateurs agréés de Black & Decker et de plus amples détails concernant notre service après-vente sur le site Internet : www.2helpU.com.

Caractéristiques techniques

	GW3010
Tension	V c.a. 230
Puissance absorbée	W 3000
Capacité	l 35
Poids (souffleur)	kg 3,4
Poids (aspirateur)	kg 4,76

Déclaration de conformité CE

GW2610

Black & Decker déclare que ces produits sont conformes à : 98/37/EC, 2006/95/CEE, 2000/14/CE, EN55014, EN55104, EN60335

Collecteur/souffleur de feuilles = 11m³/min, Annexe V

Niveau de vibration main/bras selon la norme
EN ISO 5329 : 12m/s²

Niveau de pression acoustique, mesuré selon la norme
2000/14/EC :

Pression sonore (L_{pA}) 92 dB(A)

Puissance acoustique (L_{WA}) 105 dB(A)

Garantie (L_{WA}) 107 dB(A)

Le soussigné est responsable des données de la fiche technique et fait cette déclaration au nom de Black & Decker

Kevin Hewitt

Directeur Ingénierie Client

Spennymoor, County Durham DL16 6JG,

Royaume-Uni

08-08-2008

Conception et brevet

Brevet européen : EP 0 723 758 B, EP 0 723 759 B et EP 1 430 825 B

Brevet européen, numéro d'application : EP 1 442 653 A

Numéros d'enregistrement de conception CE : 69750-0002, 69760-0003 et 712922-0001

Numéros brevet États-Unis : 5673457, 5604954 et 7266860

Brevet États-Unis, numéro d'application : 2005/0177973

Numéros de brevet de conception, États-Unis : D498885

Garantie

Black & Decker vous assure la qualité de ses produits et vous offre une garantie très étendue. Ce certificat de garantie est un document supplémentaire et ne peut en aucun cas se substituer à vos droits légaux. La garantie est valable sur tout le territoire des États Membres de l'Union Européenne et de la Zone de Libre Échange Européenne.

Si un produit Black & Decker s'avère défectueux en raison de matériaux en mauvais état, d'une erreur humaine, ou d'un manque de conformité dans les 24 mois suivant la date d'achat, Black & Decker garantit le remplacement des pièces défectueuses, la réparation des produits usés ou cassés ou remplace ces produits à la convenance du client, sauf dans les circonstances suivantes :

- ◆ Le produit a été utilisé dans un but commercial, professionnel, ou a été loué.
- ◆ Le produit a été mal utilisé ou avec négligence.
- ◆ Le produit a subi des dommages à cause de corps étrangers, de substances ou d'accidents.
- ◆ Des réparations ont été tentées par des techniciens ne faisant pas partie du service technique de Black & Decker.

Pour avoir recours à la garantie, il est nécessaire de fournir une preuve d'achat au vendeur ou à un réparateur agréé. Pour connaître l'adresse du réparateur agréé le plus proche de chez vous, contactez le bureau Black & Decker à l'adresse indiquée dans ce manuel. Vous pourrez aussi trouver une liste de réparateurs agréés de Black & Decker et de plus amples détails sur notre service après-vente sur le site Internet à l'adresse suivante :

www.2helpU.com

Visitez notre site Web **www.blackanddecker.fr** pour enregistrer votre nouveau produit Black & Decker et être informé des nouveaux produits et des offres spéciales. Pour plus d'informations concernant la marque Black & Decker et notre gamme de produits, consultez notre site **www.blackanddecker.fr**.

Usò previsto

Il soffiatore-aspiratore Black & Decker è stato concepito per la raccolta di foglieame. L'elettrodomestico è stato progettato solo per un uso individuale e all'esterno.

Istruzioni di sicurezza

Attenzione! Quando si usano elettrodomestici alimentati elettricamente, osservare sempre le normali precauzioni di sicurezza per ridurre il rischio di incendio, scosse elettriche e lesioni personali.

- ◆ Leggere attentamente il presente manuale prima di usare l'elettrodomestico.
- ◆ Prima di usare l'elettrodomestico, accertarsi di sapere come spegnerlo in caso d'emergenza.
- ◆ Conservare il presente manuale per futura consultazione.

Addestramento

- ◆ Leggere attentamente le istruzioni. Imparare bene i comandi e come usare in modo appropriato l'elettrodomestico.
- ◆ Vietare l'uso dell'elettrodomestico a bambini e ad adulti che non sono al corrente di queste istruzioni. I regolamenti locali in vigore potrebbero limitare l'età dell'operatore.
- ◆ Non usare mai l'elettrodomestico se vi sono astanti, in modo particolare bambini, o animali domestici, nelle vicinanze.
- ◆ Ricordare che l'operatore è responsabile di eventuali rischi o incidenti che coinvolgono terzi o le loro cose.

Preparativi

- ◆ Non far funzionare l'elettrodomestico a piedi nudi o quando si indossano sandali.
- ◆ Per proteggere piedi e gambe, indossare scarpe o stivali robusti e calzoni – l'erba appena tagliata è umida e scivolosa. Calzature in gomma o sintetiche proteggono maggiormente.
- ◆ Utilizzare un equipaggiamento di protezione. Indossare occhiali protettivi quando si usa il prodotto.
- ◆ Per evitare l'irritazione causata dalla polvere, si consiglia di indossare una maschera idonea.
- ◆ Usare otoprotezioni se il livello sonoro pare essere troppo elevato durante l'impiego del prodotto.

Attenzione! Legare i capelli lunghi in modo che non raggiungano le spalle. Tenere lontani dalle aperture e dalle parti in movimento indumenti larghi, cinture, fiocchi e bretelle.

- ◆ Ispezionare regolarmente il cavo di alimentazione per vedere che non presenti segni di danni o di invecchiamento e usarlo solo se è in buono stato.

- ◆ Prima dell'impiego, accertarsi sempre che il prodotto sia idoneo a essere usato in modo sicuro e che tutte le parti siano ben salde.
- ◆ Non usare il prodotto se vi sono delle parti usurate o difettose.
- ◆ Non aspirare materiale che sta bruciando, tipo mozziconi di sigarette accesi.
- ◆ Non far funzionare il soffiatore-aspiratore in ambienti esposti al rischio di gas o di esplosioni, dato che i motori di questi elettrodomestici emettono scintille che possono incendiare i fumi.

Funzionamento

- ◆ Non usare nella modalità di aspirazione senza aver montato i tubi di aspirazione e il sacco di raccolta.
- ◆ Spegnerlo sempre il prodotto, lasciare che la ventola smetta di girare e scollegare la spina dalla presa di corrente quando:
 - Si passa dalla modalità di soffiatura a quella di aspirazione.
 - Il cavo di alimentazione ha subito danni o è attorcigliato.
 - Si lascia il prodotto incustodito.
 - Si elimina un intasamento.
 - Si eseguono dei controlli, regolazioni, interventi di pulizia o manutenzione sul prodotto.
 - L'elettrodomestico comincia a vibrare in modo anomalo.
- ◆ Non appoggiare l'aspirazione o lo scarico dell'aspiratore vicino a occhi o orecchie durante l'uso. Non soffiare mai detriti verso gli astanti.
- ◆ Non usare sotto la pioggia e non lasciarlo all'aperto quando piove.
- ◆ Usare il prodotto solo alla luce del giorno o con una buona luce artificiale.
- ◆ Non attraversare sentieri o strade coperti di ghiaia quando il prodotto è acceso nella modalità di soffiatura/aspirazione. Camminare, non correre.
- ◆ Non appoggiare l'elettrodomestico sulla ghiaia mentre è acceso.
- ◆ Mantenere sempre un buon equilibrio, in modo particolare sui pendii. Mantenersi sempre saldi sui piedi e bene equilibrati, evitando di sbilanciarsi.
- ◆ Non aspirare sostanze che possono essere state contaminate da liquidi infiammabili o combustibili, tipo benzina e non usare il prodotto in zone dove potrebbero essere presenti.
- ◆ Non inserire oggetti nelle aperture nell'elettrodomestico. Non usarlo mai se le aperture sono bloccate – mantenerlo libero da capelli, lanugine, polvere e da qualsiasi cosa che possa limitare il passaggio dell'aria.

Attenzione! Usare sempre il prodotto come descritto nel presente manuale. Il prodotto è stato progettato per essere usato verticalmente e, se lo si utilizza in modo diverso, si possono causare lesioni. Non far mai funzionare il prodotto quando è appoggiato di fianco o è capovolto.

- ◆ Non trasportare il prodotto dal cavo.
- ◆ Mettere sempre il cavo verso il retro, lontano dall'elettrodomestico.

Attenzione! Se il filo di alimentazione subisce danni durante l'uso, scollegarlo immediatamente dall'alimentazione di rete.

Non toccare il filo di alimentazione prima di scollegarlo dalla presa di corrente.

Manutenzione e conservazione

- ◆ Prima dell'impiego, controllare che l'elettrodomestico non sia danneggiato e non presenti parti difettose. Non far mai funzionare l'elettrodomestico con protezioni o scudi difettosi o senza di essi, ad esempio senza il sacco di raccolta. Controllare che le parti in movimento non siano allineate male, inceppate o rotte, che protezioni e interruttori non siano danneggiati e che non sussistano altre condizioni che potrebbero compromettere il funzionamento.
- ◆ Accertarsi che l'elettrodomestico funzioni correttamente ed esegua il proprio lavoro. Non usare mai l'elettrodomestico se le protezioni o la scocca sono danneggiate o non sono montate.
- ◆ Non usare l'elettrodomestico se alcune parti sono danneggiate o difettose. Non usare l'elettrodomestico se l'interruttore di accensione non funziona correttamente.
- ◆ Far riparare o sostituire le parti danneggiate o difettose da un tecnico autorizzato.
- ◆ Controllare di frequente che il cavo non sia danneggiato. Se il cavo è danneggiato, farlo sostituire da un tecnico autorizzato per evitare pericoli. Ispezionare periodicamente le prolunghe. Sostituire immediatamente le prolunghe danneggiate.
- ◆ Non usare solventi o detersivi per pulire il prodotto – usare un raschietto non appuntito per eliminare erba e sporizia.
- ◆ Controllare di frequente il sacco di raccolta per vedere che non sia usurato o rovinato.
- ◆ Quando non viene usato, riporre l'elettrodomestico in un luogo asciutto. Gli elettrodomestici non devono essere riposti alla portata dei bambini.
- ◆ Le ventole di ricambio sono reperibili presso un rivenditore autorizzato Black & Decker. Usare solo ricambi e accessori raccomandati da Black & Decker.

Ulteriori precauzioni di sicurezza per i soffiatori-aspiratori.

- ◆ Questo elettrodomestico non è stato progettato per impiego da parte di persone (o bambini) portatrici di handicap fisici, psichici o sensoriali o che non abbiano la dovuta esperienza o conoscenza, a meno che non siano seguite o opportunamente istruite sul suo impiego da parte di una persona responsabile della loro sicurezza.
- ◆ Sorvegliare i bambini per accertarsi che non giochino con l'elettrodomestico.
- ◆ In caso di danneggiamento del filo di alimentazione, è necessario farlo riparare dal fabbricante o presso un centro assistenza Black & Decker autorizzato in modo da evitare eventuali pericoli.

Simboli



Leggere il manuale prima dell'utilizzo.



Non usarlo sotto alla pioggia e non lasciarlo all'aperto quando piove.



Spegnerlo: scollegare la spina dalla presa di corrente prima di pulirlo o di eseguire la manutenzione.



Indossare occhiali di sicurezza e otoprotezioni quando si usa l'elettrodomestico.



Mantenere distanti eventuali osservatori.

Sicurezza elettrica



Il doppio isolamento di cui è provvisto l'elettrodomestico rende superfluo il filo di terra. Controllare sempre che l'alimentazione corrisponda alla tensione indicata sulla targhetta delle caratteristiche.

- ◆ In caso di danneggiamento del cavo di alimentazione, è necessario farlo riparare dal fabbricante o presso un centro assistenza Black & Decker autorizzato in modo da evitare eventuali pericoli.
- ◆ La sicurezza elettrica può essere ulteriormente aumentata utilizzando un dispositivo a corrente residua (RCD) ad alta sensibilità (30 mA).

Cavi di prolunga

- ◆ Quando si utilizza l'elettrodomestico all'aperto, usare dei cavi di prolunga impermeabili dotati di connettori conformi alla normativa IEC 603320-2-3.

- ◆ È possibile usare un cavo di prolunga Black & Decker a 3 conduttori da 1,5 mm HO5WF lungo fino a 25 metri senza che si verifichi una perdita di potenza.
- ◆ In caso di danneggiamento del filo di alimentazione, è necessario farlo riparare dal fabbricante o presso un centro assistenza Black & Decker autorizzato in modo da evitare eventuali pericoli.

Caratteristiche

1. Tracolla
2. Pomello comando velocità
3. Interruttore di accensione
4. Manico sacco di raccolta
5. Sacco di raccolta
6. Scocca di soffiatura
7. Tubo di soffiatura
8. Raschietto
9. Tubo di aspirazione - inferiore
10. Tuo di aspirazione - superiore
11. Ghiera di bloccaggio
12. Pulsante di rilascio
13. Blocco motore

Assemblaggio

Attenzione! Prima di montarlo assicuratevi che l'elettrotensile sia spento e disinserito.

Montaggio del tubo di aspirazione (fig. A)

I tubi di aspirazione devono essere uniti prima dell'uso.

Attenzione! Non far funzionare l'elettrotensile con i tubi di aspirazione separati.

- ◆ Per facilitare l'assemblaggio, inumidire con acqua insaponata la zona di unione.
- ◆ Allineare le tacche (15) e i triangoli (14) sui tubi di aspirazione superiore (10) e inferiore (9).
- ◆ Premere fermamente il tubo di aspirazione inferiore (9) in quello superiore (10) fino a quando i triangoli si agganciano in sede.

Attenzione! Non dividere i tubi dopo averli assemblati.

Assemblaggio del tubo di soffiatura (fig. B)

Il tubo di soffiatura deve essere montato sulla scocca di soffiatura prima dell'uso.

- ◆ Allineare i cerchi (16) sulla scocca di soffiatura (6) e sul tubo di soffiatura (7).
- ◆ Premere fermamente il tubo di soffiatura (7) nella scocca di soffiatura (6) fino a quando i cerchi si agganciano in sede.

Attenzione! Non dividere i tubi dopo averli assemblati.

Montaggio della tracolla (figg. C - D)

Montare la tracolla (1) sull'elettrotensile e regolarla come richiesto.

- ◆ Agganciare il gancio (17) nell'occhiello (18).
- ◆ Regolare la lunghezza del cappio per mezzo della fibbia (19).

Utilizzo

Accensione e spegnimento (fig. E)

Attenzione! Afferrare saldamente il prodotto con entrambe le mani quando lo si accende.

- ◆ Per accendere l'elettrotensile, far scorrere in avanti l'interruttore di accensione (3).
- ◆ Per spegnere l'elettrotensile, far scorrere indietro l'interruttore di accensione (3).

Comando a 2 velocità (fig. E)

- ◆ Per consentirvi un maggior controllo, il soffiatore-aspiratore è dotato di pomello di comando della velocità (2) situato sull'impugnatura sul blocco motore.
- ◆ Regolare il pomello di comando della velocità (2) sulla velocità richiesta. Posizione **I** per una velocità bassa, posizione **II** per una velocità alta.

Fermacavo (fig. F)

- ◆ Sul retro del blocco motore è stato incorporato un fermacavo (21).
- ◆ Far passare il cavo (20) nel fermacavo (21).

Utilizzo del prodotto (fig. G)

Attenzione! Indossare sempre gli occhiali quando lo si usa come soffiatore o aspiratore. In caso di impiego in ambienti polverosi, indossare anche una maschera.

Attenzione! Spegnerlo il prodotto, lasciare che la ventola si fermi e scollegare la spina dalla presa di corrente prima di eseguire regolazioni o interventi di manutenzione o riparazione.

Modalità di soffiatura (figg. G, H e I)

Nota: Accertarsi che la ghiera di bloccaggio si trovi nella posizione sbloccata (fig. I).

- ◆ Collegare la scocca (6) e il tubo di soffiatura (7) al blocco motore (13) (fig. G) posizionando il soffiatore come indicato dalla freccia e quindi ruotandolo in quel punto e premendo il fermo di bloccaggio/apertura (12) fino a quando il fermo (22) si aggancia completamente.
- ◆ Ruotare in senso orario la ghiera di bloccaggio (11) in posizione bloccata.
- ◆ Tenere il tubo di aspirazione a 180 mm circa dal terreno, accendere l'elettrotensile e, con un movimento ampio da un lato all'altro, procedere lentamente tenendo i detriti/fogliame raccolti di fronte a sé (fig. H).

- ◆ Dopo aver soffiato i detriti/fogliame in un mucchio è possibile passare alla modalità di aspirazione per aspirare i detriti.

Distacco del tubo di soffiatura/aspirazione (fig. I)

- ◆ Per scollegare la scocca di soffiatura (6) o il tubo di aspirazione (10) dal blocco motore (13), ruotare la ghiera di bloccaggio (11) in senso antiorario sulla posizione sbloccata e premere il pulsante di rilascio (12), accertandosi che il tubo non cada a terra.
- ◆ Il pulsante di rilascio (12) non funziona se la ghiera di bloccaggio (11) si trova in posizione bloccata.

Modalità di aspirazione (figg. J - N)

Montare il sacco sul soffiatore-aspiratore (figg. J, K, L)

- ◆ Il sacco deve essere montato quando si desidera eseguire l'aspirazione/triturazione (5).
- ◆ Posizionare il bordo del sacco (23) nell'apposito canalino di fissaggio (25) verificando che la parte anteriore del sacco sia disposta sopra lo scarico dell'aspiratore (24) (fig. J).
- ◆ Infilare completamente il sacco nel canalino e premere il fermo (26) per bloccare l'impugnatura nella parte superiore del sacco (figg. K e L).
- ◆ Posizionare il tubo appena sopra ai detriti/fogliame. Accendere il soffiatore-aspiratore e procedere con un movimento largo; i detriti/fogliame verranno aspirati dal tubo, tritati e inviati nel sacco di raccolta (fig. M).
- ◆ Il tubo di aspirazione è dotato di raschietto (8) da usare con i detriti/fogliame ostinati. Usare il raschietto per smuovere i detriti e continuare ad aspirare in modo normale.
- ◆ Come il sacco si riempie, la potenza aspirante diminuisce. Spegnerne il soffiatore-aspiratore e scollegarlo dall'alimentazione di rete.
- ◆ Per staccare il sacco, premere il fermo (26) per disinnestarlo dal supporto e sfilarlo.
- ◆ Per svuotarlo, afferrare il manico in plastica del sacco di raccolta (4) e quello in nylon (27) sulla parte inferiore del sacco. Capovolgere il sacco e svuotarlo da detriti e fogliame.

Ricerca guasti

Il soffiatore-aspiratore non funziona	1	Controllare il collegamento all'alimentazione elettrica.
	2	Controllare il fusibile nella spina; se è bruciato, sostituirlo (solo UK).
	3	Controllare che il tubo di soffiatura/aspirazione sia montato correttamente sul blocco motore
	4	Se il fusibile continua a bruciarsi, scollegare immediatamente il prodotto dall'alimentazione di rete e consultare il tecnico autorizzato Black & Decker di zona.
	5	Controllare la posizione della ghiera di bloccaggio.
Aspirazione scadente/ suono acuto	1	Spegnerne e scollegare dall'alimentazione di rete, i detriti dovrebbero cadere fuori dal tubo.
	2	Staccare e svuotare il sacco di raccolta.
	3	Controllare che sia i fori di aspirazione che di scarico del tubo di aspirazione siano liberi.
	4	Eliminare ogni detrito dalla zona della ventola.
	5	Se si continua ad avere un'aspirazione scadente, scollegare immediatamente il prodotto dall'alimentazione di rete e consultare il tecnico autorizzato Black & Decker di zona.
Triturazione scadente	1	Spegnerne, scollegare dall'alimentazione di rete e staccare il sacco di raccolta.
	2	Scollegare il tubo di aspirazione e ispezionare la ventola.
	3	Eliminare eventuali detriti dalle pale della ventola.
	4	Se la ventola è incrinata o danneggiata, non usarla e consultare il tecnico autorizzato Black & Decker di zona.

Manutenzione

Questo elettrotensile Black & Decker è stato progettato per funzionare a lungo con un minimo di manutenzione. Per ottenere prestazioni sempre soddisfacenti occorre avere cura dell'elettrotensile e sottoporlo a manutenzione periodica.

- ◆ Mantenere pulito e asciutto l'utensile.
- ◆ Eliminare le foglie bloccate all'interno del tubo di aspirazione.
- ◆ Pulire regolarmente le feritoie di ventilazione con un pennello pulito e asciutto.
- ◆ Per pulire l'elettrotensile, usare solo sapone neutro e un panno umido. Evitare la penetrazione di liquidi all'interno dell'elettrotensile e non immergere mai nessuna parte dello stesso in un liquido. Non usare materiali abrasivi o detersivi a base di solventi.
- ◆ In questo prodotto sono stati usati dei cuscinetti autolubrificanti che non richiedono lubrificazione.

Protezione dell'ambiente



Raccolta differenziata. Questo prodotto non deve essere smaltito con i normali rifiuti domestici.

Nel caso in cui l'elettrotensile Black & Decker debba essere sostituito o non sia più necessario, non smaltirlo con i normali rifiuti domestici. Metterlo da parte per la raccolta differenziata.



La raccolta differenziata dei prodotti e degli imballaggi utilizzati consente il riciclaggio dei materiali e il loro continuo utilizzo. Il riutilizzo dei materiali riciclati favorisce la protezione dell'ambiente prevenendo l'inquinamento e riduce il fabbisogno di materie prime.

Seguire la regolamentazione locale per la raccolta differenziata dei prodotti elettrici che può prevedere punti di raccolta o la consegna dell'elettrotensile al rivenditore presso il quale viene acquistato un nuovo prodotto.

Black & Decker offre ai suoi clienti la possibilità di riciclare i prodotti Black & Decker che hanno esaurito la loro vita di servizio. Per usufruire di tale servizio, è sufficiente restituire il prodotto a qualsiasi tecnico autorizzato, incaricato della raccolta per conto dell'azienda.

Per individuare il tecnico autorizzato più vicino, rivolgersi alla sede Black & Decker locale, presso il recapito indicato nel presente manuale. In alternativa, un elenco completo di tutti i tecnici autorizzati Black & Decker e i dettagli completi sui contatti e i servizi post-vendita sono disponibili su Internet presso: www.2helpU.com.

Dati tecnici

	GW3010
Tensione	V c.a. 230
Potenza assorbita	W 3000
Capacità	l 35
Peso (soffiatore)	kg 3,4
Peso (aspiratore)	kg 4,76

Dichiarazione CE di conformità

GW3010

Black & Decker dichiara che questo prodotto è conforme a: 98/37/EC, 2006/95/EEC, 2000/14/EC, EN55014, EN55104, EN60335

Soffiatore/aspiratore di foglie = 11 m³/min, Allegato V

Valore della vibrazione ponderata mano/braccio in base a EN ISO 5329: 12 m/s²

Livello garantito di pressione sonora, misurata in conformità alla normativa 2000/14/EC:

Pressione sonora (L_{PA}) 92 dB(A)

Potenza acustica (L_{WA}) 105 dB(A)

Garantita (L_{WA}) 107 dB(A)

Il sottoscritto è responsabile della redazione di questo documento tecnico e rilascia questa dichiarazione per conto di Black & Decker

Kevin Hewitt

Direttore tecnico prodotti di consumo
Spennymoor, County Durham DL16 6JG,

Regno Unito

08-08-2008

Informazioni su progetto e brevetto

Numeri del brevetto europeo: EP 0 723 758 B, EP 0 723 759 B ed EP 1 430 825 B

Numero della richiesta di brevetto europeo: EP 1 442 653 A

Numeri di registrazione del modello nella Comunità Europea: 69750-0002, 69760-0003 e 712922-0001

Numeri del brevetto USA: 5673457, 5604954 e 7266860

Numero della richiesta di brevetto USA: 2005/0177973

Numero del brevetto del progetto USA: D498885

Garanzia

Certa della qualità dei suoi prodotti, Black & Decker offre una garanzia eccezionale. Il presente certificato di garanzia è complementare ai diritti legali e non li pregiudica in alcun modo. La garanzia è valida entro il territorio degli Stati membri dell'Unione Europea e dell'EFTA (European Free Trade Area).

Se un prodotto Black & Decker risulta difettoso per qualità del materiale, della costruzione o per mancata conformità entro 24 mesi dalla data di acquisto, Black & Decker garantisce la sostituzione delle parti difettose, provvede alla riparazione dei prodotti se ragionevolmente usurati oppure alla loro sostituzione, in modo da ridurre al minimo il disagio del cliente a meno che:

- ◆ Il prodotto non sia stato destinato ad usi commerciali, professionali o al noleggio;
- ◆ Il prodotto non sia stato usato in modo improprio o scorretto;
- ◆ Il prodotto non abbia subito danni causati da oggetti o sostanze estranee oppure incidenti;
- ◆ Il prodotto non abbia subito tentativi di riparazione non effettuati da tecnici autorizzati né dall'assistenza Black & Decker.

Per attivare la garanzia è necessario esibire la prova comprovante l'acquisto al venditore o al tecnico autorizzato. Per individuare il tecnico autorizzato più vicino, rivolgersi alla sede Black & Decker locale, presso il recapito indicato nel presente manuale. Altrimenti un elenco completo di tutti i tecnici autorizzati Black & Decker e i dettagli completi sui contatti e i servizi post-vendita sono disponibili su Internet presso:

www.2helpU.com

I clienti che desiderano registrare il nuovo prodotto Black & Decker e ricevere gli aggiornamenti sui nuovi prodotti e le offerte speciali, sono invitati a visitare il sito Web (**www.blackanddecker.it**). Ulteriori informazioni sul marchio e la gamma di prodotti Black & Decker sono disponibili all'indirizzo **www.blackanddecker.it**.

Beoogd gebruik

De bladblazer-zuiger van Black & Decker is ontworpen voor het verwijderen van bladeren. Dit gereedschap is uitsluitend bestemd voor consumentengebruik.

Veiligheidsinstructies

Waarschuwing! Bij apparaten voor gebruik op de netspanning moeten bepaalde elementaire voorzorgsmaatregelen, waaronder de navolgende, in acht worden genomen om het gevaar voor brand, elektrische schokken en persoonlijk letsel tot een minimum te beperken.

- ◆ Lees deze handleiding zorgvuldig door voordat u de machine in gebruik neemt.
- ◆ Zorg ervoor dat u weet hoe u de machine in geval van nood moet uitschakelen voordat u de machine in gebruik neemt.
- ◆ Bewaar deze handleiding zorgvuldig zodat u deze altijd nog eens kunt raadplegen.

Opleiding

- ◆ Zorg ervoor dat u vertrouwd bent met de knoppen en met het juiste gebruik van de machine.
- ◆ Plaatselijke voorschriften kunnen eisen aan de leeftijd van de gebruiker stellen.
- ◆ Gebruik de machine nooit als er mensen, met name kinderen, of huisdieren in de buurt zijn.
- ◆ Vergeet niet dat de gebruiker verantwoordelijk wordt gesteld voor ongelukken die gebeuren of voor gevaren waaraan andere mensen of hun eigendommen worden blootgesteld.

Vorbereitung

- ◆ Het apparaat mag niet worden gebruikt indien u geen schoenen draagt of open sandalen draagt.
- ◆ Draag altijd stevige schoenen of laarzen en een lange broek ter bescherming van uw voeten en benen – vers gemaaid gras is vochtig en glad. Rubber of kunstleder schoeisel is nog veiliger.
- ◆ Gebruik beschermingsmiddelen. Zorg ervoor dat u een bescherm- of stofbril draagt tijdens de bediening van dit apparaat.
- ◆ Het dragen van een geschikt gezichtsmasker is raadzaam ter voorkoming van irritatie door stof.
- ◆ Gebruik oorbescherming indien het geluidsniveau onprettig is tijdens de bediening van het apparaat.

Waarschuwing! Steek lang haar op zodat het boven schouderlengte uitkomt. Houd losse kleding, stropdassen, linten, banden en riemen van de openingen en bewegende delen verwijderd.

- ◆ Het netsnoer dient regelmatig te worden gecontroleerd op tekenen van schade of slijtage, en mag alleen worden gebruikt als het zich in goede staat bevindt.

- ◆ Zorg er altijd voorafgaand aan het gebruik voor dat het apparaat op veilige wijze functioneert en dat alle onderdelen veilig kunnen worden gebruikt.
- ◆ Het apparaat mag niet worden gebruikt indien enig onderdeel ervan mankementen vertoont of versleten is.
- ◆ Brandend materiaal zoals brandende sigarettenpeuken mogen niet worden opgezogen.
- ◆ De blazer/zuiger mag niet in een ruimte met gasen of explosieve stoffen worden bediend, omdat de motor in het apparaat gewoonlijk vonken afgeeft en hierdoor brand kan ontstaan.

Gebruik

- ◆ Gebruik het apparaat niet in de zuigstand zonder dat de zuigerelementen en de opvangzak zijn bevestigd.
- ◆ Schakel het apparaat altijd uit, laat de waaier tot stilstand komen en verwijder het snoer van de netspanning wanneer:
 - Het apparaat wordt omgezet van blazer naar zuiger.
 - Het netsnoer is beschadigd of verstrikt.
 - U het apparaat achterlaat.
 - Een verstopping wordt opgelost.
 - U het apparaat controleert, instelt, reinigt of onderhoudt
 - Indien het apparaat op abnormale wijze begint te trillen.
- ◆ De inlaat en uitlaat van de zuiger mogen niet in de buurt van de ogen of oren komen tijdens de bediening. Afval mag nooit in de richting van omstanders worden geblazen.
- ◆ Gebruik het apparaat niet in de regen en laat het niet buiten liggen wanneer het regent.
- ◆ Zorg ervoor dat u het apparaat alleen in daglicht of goed kunstmatig licht gebruikt.
- ◆ Betreed geen grintpaden of wegen wanneer het apparaat is ingeschakeld tijdens het blazen/zuigen. Er mag niet met het apparaat worden gerend.
- ◆ Leg het apparaat niet op grint neer terwijl het is ingeschakeld.
- ◆ Let op de plaats waarop u staat, met name op hellingen. Reik niet te ver en zorg er altijd voor dat u stevig staat.
- ◆ Zuig geen materiaal op dat kan zijn aangetast met brandbare of ontvlambare vloeistoffen zoals benzine, en gebruik het ook niet op plaatsen waar dergelijke vloeistoffen aanwezig kunnen zijn.
- ◆ Plaats geen voorwerpen in de openingen. Gebruik het apparaat nooit wanneer de openingen verstopt zijn – zorg dat er geen haren, stof en andere zaken in terecht komen die de luchtstroom kunnen belemmeren.

Waarschuwing! Zorg er altijd voor dat dit apparaat volgens deze handleiding wordt gebruikt. Het apparaat is ontworpen voor gebruik rechtop, en indien het op andere wijze wordt gebruikt kan dat leiden tot letsel. Laat het apparaat nooit draaien wanneer het op de zijkant ligt of ondersteboven.

- ◆ Draag het apparaat niet bij het snoer.
- ◆ Houd het snoer altijd naar achteren gericht en van het apparaat verwijderd.

Waarschuwing! Indien een snoer tijdens het gebruik beschadigd raakt, verwijder dan het netsnoer onmiddellijk van de netspanning. **Raak het netsnoer niet aan voordat het van de netspanning verwijderd is.**

Onderhoud en opslag

- ◆ Controleer het apparaat voorafgaand aan gebruik op beschadigde of defecte onderdelen. Het apparaat mag niet met defecte beschermkappen of platen worden bediend, noch zonder veiligheidselementen, zoals de afvalzak die bevestigd moet zijn. Controleer of de bewegende delen juist zijn opgelijnd en niet vastlopen, of onderdelen gebroken zijn, schade aan de beschermkappen en schakelaars en andere zaken die van invloed kunnen zijn op de bediening.
- ◆ Zorg ervoor dat het apparaat juist werkt en functioneert waarvoor het bestemd is. Gebruik het apparaat niet wanneer een beschermkap of afsluiting beschadigd of niet bevestigd is.
- ◆ Gebruik het apparaat niet wanneer enig onderdeel beschadigd of defect is. Gebruik het apparaat niet wanneer de schakelaar het niet in- en uitschakelt.
- ◆ Laat beschadigde of defecte onderdelen door een van onze servicecentra repareren of vervangen.
- ◆ Controleer het snoer regelmatig op schade. Indien het snoer is beschadigd moet het door een bevoegde reparatiefirma worden vervangen ter voorkoming van gevaarlijke situaties. Zorg ervoor dat de verlengsnoeren op gezette tijden worden gecontroleerd. Vervang een beschadigd verlengsnoer onmiddellijk.
- ◆ Gebruik geen oplosmiddelen of reinigingsvloeistoffen om het apparaat te reinigen – gebruik een grove schraper om gras en vuil te verwijderen.
- ◆ Controleer de opvangzak regelmatig op slijtage of beschadiging.
- ◆ Bewaar de machine na gebruik op een droge plaats. Zorg dat de opgeslagen machine niet toegankelijk is voor kinderen.
- ◆ Waaiers ter vervanging zijn verkrijgbaar bij een onderhoudsfirma van Black & Decker. Gebruik alleen vervangende onderdelen en accessoires die door Black & Decker worden aanbevolen.

Extra veiligheidsinstructies voor de blazer-zuiger

- ◆ Dit apparaat mag niet worden gebruikt door personen (waaronder kinderen) die lichamelijk of geestelijk mindervalide zijn of die geen ervaring met of kennis van dit apparaat hebben, tenzij ze onder toezicht staan of instructies krijgen wat betreft het gebruik van het apparaat van een persoon die verantwoordelijk is voor hun veiligheid.
- ◆ Houd toezicht op kinderen om ervoor te zorgen dat zij niet met het apparaat gaan spelen.
- ◆ Als het netsnoer is beschadigd, moet dit worden vervangen door de fabrikant of een Black & Decker-servicecentrum om gevaren te voorkomen.

Symbolen



Lees de handleiding voordat u met de machine gaat werken.



Gebruik het apparaat niet in de regen en laat het niet buiten liggen wanneer het regent.



Uitschakelen: trek de stekker uit het stopcontact voordat het apparaat wordt gereinigd of onderhoudswerkzaamheden worden uitgevoerd. Zorg ervoor dat u een bescherm- of stofbril en oorbescherming draagt tijdens de bediening van dit apparaat.



Houd omstanders uit de buurt.

Elektrische veiligheid



Dit gereedschap is dubbel geïsoleerd. Een aardaansluiting is daarom niet noodzakelijk. Controleer altijd of uw netspanning overeenkomt met de waarde op het typeplaatje.

- ◆ Als het netsnoer is beschadigd, moet dit worden vervangen door de fabrikant of een Black & Decker-servicecentrum om gevaren te voorkomen.
- ◆ Met een zeer gevoelige reststroomschakelaar (RCD van 30 mA) wordt het risico van een elektrische schok verkleind.

Verlengsnoeren

- ◆ Wanneer u het apparaat buiten gebruikt, gebruik dan alleen weersbestendige verlengsnoeren die zijn uitgerust met koppelstukken overeenkomstig IEC 603320-2-3
- ◆ Maximaal 25 m van een drie-aderig Black & Decker-HO5WF-verlengsnoer van 1,5 mm kan zonder verlies van vermogen worden gebruikt.

- ◆ Als het netsnoer is beschadigd, moet dit worden vervangen door de fabrikant of een Black & Decker-servicecentrum om gevaren te voorkomen.

Onderdelen

1. Draagriem
2. Snelheidsregelaarknop
3. Aan-uitschakelaar
4. Hendel opvangzak
5. Opvangzak
6. Blaasmond
7. Blazerbuis
8. Schrapper
9. Zuigerbuis – onder
10. Zuigerbuis – boven
11. Sluistring
12. Ontgrendelknop
13. Motorbehuizing

Montage

Waarschuwing! Zorg vóór aanvang van de montage dat de machine is uitgeschakeld en de netstekker is losgekoppeld van het lichtnet.

Montage zuigerbuis (fig. A)

De zuigerbuizen dienen voorafgaand aan gebruik aan elkaar gezet te worden.

Waarschuwing! Het apparaat mag niet worden gebruikt zonder dat alle zuigerbuizen zijn bevestigd.

- ◆ Gebruik wat zeepwater op de verbindingdelen om de bevestiging te vergemakkelijken.
- ◆ Lijn de sponningen (15) en de driehoeken (14) op met de zuigerbuizen boven (10) en onder (9).
- ◆ Druk de onderste zuigerbuis (9) stevig in de bovenste zuigerbuis (10) totdat de driehoek op zijn plaats vastklikt.

Waarschuwing! Haal de buizen niet van elkaar wanneer ze zijn bevestigd.

Bevestiging van de blazerbuis (fig. B)

De onderste buis moet voorafgaand aan gebruik aan de blaasmond worden bevestigd.

- ◆ Lijn de cirkels (16) op de blaasmond (6) op met de blazerbuis (7).
- ◆ Druk de blazerbuis (7) stevig op de blaasmond (6) totdat de cirkels op hun plaats vastklikken.

Waarschuwing! Haal de buizen niet van elkaar wanneer ze zijn bevestigd.

Bevestiging van de draagriem (fig. C - D)

Bevestig de draagriem (1) aan het apparaat en stel hem af op de gebruiker.

- ◆ Klem de haak (17) aan het oog (18) vast.
- ◆ Stel de lengte van de lus met de gesp af (19).

Gebruik

In- en uitschakelen (fig. E)

Waarschuwing! Gebruik beide handen zodat het product stevig wordt vastgehouden wanneer het wordt ingeschakeld.

- ◆ Schuif de aan/uit-schakelaar (3) naar voren in om het apparaat in te schakelen.
- ◆ Schuif de aan/uit-schakelaar (3) naar achteren om het apparaat uit te schakelen.

Regeling voor twee snelheden (fig. E)

- ◆ Voor een betere bediening heeft de blazer-zuiger een snelheidsregelaarsknop (2) op de hendel van de motorbehuizing.
- ◆ Stel de snelheidsregelaarsknop (2) in op de gewenste snelheid. Positie I voor lage snelheid, positie II voor hoge snelheid.

Snoerhouder (fig. F)

- ◆ Er bevindt zich een snoerhouder (21) aan de achterzijde van de motorbehuizing.
- ◆ Steek het snoer (20) door de snoerhouder (21).

Gebruik van het apparaat (fig. G)

Waarschuwing! Draag altijd een veiligheidsbril tijdens de bediening van dit apparaat als blazer of zuiger. Ingeval van veel stof dient tevens een filtermasker te worden gebruikt.

Waarschuwing! Schakel het apparaat uit, laat de waaier tot stilstand komen en verwijder de stekker van de netspanning voordat instellingen, reiniging of onderhoud wordt uitgevoerd.

Blaasstand (fig. G, H en I)

Opmerking: Zorg ervoor dat de sluitring zich in de ongesloten stand bevindt (fig. I).

- ◆ Bevestig de blaasmond (6) en de buis (7) aan de motorbehuizing (13) (fig. G) door de blazer zoals met de pijl aangegeven te positioneren, draai vervolgens om dit punt heen en druk op de vergrendeling/ontgrendeling (12) totdat het slot (22) geheel ingeschakeld is.
- ◆ Draai de sluitring (11) rechtsom naar de gesloten positie.
- ◆ Houd de blazerbuis ongeveer 180mm boven de grond, schakel het apparaat in en maak een veegbeweging van de ene naar de andere kant, en ga rustig voort terwijl u het verzamelde afval/de bladeren voor u houdt. (fig. H).

- ◆ Zodra het afval/de bladeren zijn opeengehoopt, kunt u omschakelen naar de zuigerstand om het afval te verzamelen.

Verwijderen van de blaas/zuigerbuis (fig. I)

- ◆ Ter verwijdering van de blaasmond (6) of zuigerbuis (10) van de motorbehuizing (13), moet de sluitring (11) linksom worden gedraaid in de ontgrendelpositie, druk vervolgens op de ontgrendelknop (12), en zorg ervoor dat de buis niet op de grond valt.
- ◆ De ontgrendelknop (12) werkt niet indien de sluitring (11) gesloten is.

Zuigerstand (fig. J - N)

Bevestig de zak aan de blazer-zuiger (fig. J, K, L)

- ◆ De opvangzak (5) moet zijn bevestigd voor zuigen/versnipperen.
- ◆ Schuif de zakrand (23) in de zakhoudergleuf (25) en zorg ervoor dat de voorzijde van de zak over de zuigeruitlaat wordt geplaatst (24) (fig. J).
- ◆ Schuif de zak geheel in de gleuf en druk op de vergrendeling (26) om de hendel aan de bovenzijde van de zak vast te zetten (fig. K en L).
- ◆ Houd de buis enigszins boven het afval/de bladeren. Plaats de buis enigszins over het afval/de bladeren. Schakel de blazer-zuiger in, en maak een veegbeweging; het afval/de bladeren worden door de buis opgezogen, versnipperd en in de opvangzak geworpen (fig.M).
- ◆ Voor lastig handelbaar afval/bladeren zit er een schraper op de zuigerbuis (8). Gebruik de schraper om afval los te maken en ga op normale wijze door met zuigen.
- ◆ Hoe voller de zak wordt, hoe kleiner de zuigkracht wordt; schakel de blazer-zuiger uit en verwijder het snoer van de netspanning.
- ◆ Teneinde de zak te verwijderen drukt u op de vergrendelknop (26) zodat deze van de zakhouder loskomt en u de zak kunt verwijderen.
- ◆ Om de zak te legen, houd u de plastic opvangzakhendel (4) vast en pakt het apparaat beet bij de nylonhendel (27) aan de onderzijde van de zak. Keer de zak ondersteboven en schud het afval en de bladeren eruit.

Problemen oplossen

Het apparaat functioneert niet	1	Controleer de aansluiting op de netspanning.
	2	Controleer de zekering in de stekker, vervang hem indien deze gesprongen is (alleen voor het Verenigd Koninkrijk).
	3	Controleer of de blazer/zuigerbuis op de juiste wijze op de motorbehuizing is aangesloten.
	4	Indien de zekering blijft springen – verwijder de stekker dan onmiddellijk van de netspanning en raadpleeg een bevoegde onderhoudsfirm van Black & Decker bij u in de buurt.
	5	Controleer de sluitringpositie.
Het apparaat zuigt niet goed/ jankend geluid	1	Schakel het apparaat uit en verwijder de stekker van de netspanning, zodat het afval uit de buis valt.
	2	Verwijder en leeg de opvangzak.
	3	Controleer of de inlaat- en uitlaatgaten van de zuigerbuis verstopt zijn.
	4	Verwijder afval uit de omgeving van de waaier.
	5	Indien de zuigkracht laag blijft, verwijder de stekker dan onmiddellijk van de netspanning en raadpleeg een bevoegde reparatiefirma van Black & Decker bij u in de buurt.
Het apparaat versnipperd niet goed	1	Schakel het apparaat uit en verwijder de stekker van de netspanning en verwijder de opvangzak.
	2	Verwijder de zuigerbuis en controleer de waaier.
	3	Verwijder afval van de waaierbladen.
	4	Gebruik het apparaat niet indien de waaier is gebroken of beschadigd – raadpleeg een bevoegde reparatiefirma van Black & Decker bij u in de buurt.

Onderhoud

Uw Black & Decker-machine is ontworpen om gedurende een lange periode te functioneren met een minimum aan onderhoud. U kunt de machine naar volle tevredenheid blijven gebruiken als u voor correct onderhoud zorgt en de machine regelmatig schoonmaakt.

- ◆ Houd de machine schoon en droog.
- ◆ Verwijder bladeren die binnenin de zuigerbuis vastzitten.
- ◆ Reinig de ventilatieopeningen regelmatig met een schone, droge kwast.
- ◆ Reinig de machine uitsluitend met een milde reinigingsoplossing en een vochtige doek. Voorkom dat vloeistof de machine binnendringt en dompel nooit enig onderdeel van de machine in vloeistof onder. Gebruik geen schuur- of oplosmiddel.
- ◆ Het apparaat heeft lagers die automatisch worden gesmeerd; het apparaat hoeft dus niet te worden gesmeerd.

Milieu



Aparte inzameling. Dit product mag niet met normaal huishoudelijk afval worden weggegooid.

Mocht u op een dag constateren dat het Black & Decker-product aan vervanging toe is of dat u het apparaat niet meer nodig hebt, gooi het product dan niet bij het restafval. Het product valt onder de categorie voor elektrische apparaten.



Gescheiden inzameling van gebruikte producten en verpakkingsmaterialen maakt het mogelijk materialen te recyclen en opnieuw te gebruiken. Hergebruik van gerecycleerde materialen zorgt voor minder milieuvervuiling en dringt de vraag naar grondstoffen terug.

Plaatselijke verordeningen kunnen voorzien in gescheiden inzameling van huishoudelijke elektrische producten via gemeentelijke stortplaatsen of via de leverancier bij wie u een nieuw product aanschaft.

Black & Decker biedt de mogelijkheid tot het recyclen van afgedankte Black & Decker-producten. Om gebruik te maken van deze service, dient u het product naar een van onze servicecentra te sturen, die de inzameling voor ons verzorgen.

U kunt het adres van het dichtstbijzijnde servicecentrum opvragen via de adressen op de achterzijde van deze handleiding. U kunt ook een lijst van onze servicecentra en meer informatie over onze klantenservice vinden op het volgende internetadres: www.2helpU.com.

Technische gegevens

	GW3010
Spanning	Vac 230
Opgenomen vermogen	W 3000
Capaciteit	l 35
Gewicht (blazer)	kg 3,4
Gewicht (zuiger)	kg 4,76

EG-conformiteitsverklaring

GW3010

Black & Decker verklaart dat dit product in overeenstemming is met:

98/37/EC, 2006/95/EEC, 2000/14/EC, EN55014, EN55104, EN60335

Bladblazer/opvang = 11m³/min, Bijlage V

Niveau voor hand-/armtrilling volgens
EN ISO 5329: 12m/s²

Niveau van de geluidsdruk, gemeten volgens 2000/14/EG:

Geluidsdruk (L_{PA}) 92 dB(A)

Akoestisch vermogen (L_{WA}) 105 dB(A)

Gegarandeerd (L_{WA}) 107 dB(A)

Ondergetekende is verantwoordelijk voor de compilatie van het technische bestand en doet deze verklaring namens
Black & Decker

Kevin Hewitt

Director of Consumer Engineering
Spennymoor, County Durham DL16 6JG,

Verenigd Koninkrijk

08-08-2008

Ontwerp- en octrooigegevens

Europese patentnummers: EP 0 723 758 B, EP 0 723 759 B and EP 1 430 825 B

Europees patentverzoeknummer: EP 1 442 653 A

EG-ontwerpregistratienummer: 69750-0002, 69760-0003 and 712922-0001

VS-patentnummers: 5673457, 5604954 and 7266860

VS-patentverzoeknummer: 2005/0177973

US-ontwerppatentnummer: D498885

Garantie

Black & Decker heeft vertrouwen in haar producten en biedt een uitstekende garantie. Deze garantiebepalingen vormen een aanvulling op uw wettelijke rechten en beperken deze niet. De garantie geldt in de lidstaten van de Europese Unie en de Europese Vrijhandelsassociatie.

Mocht uw Black & Decker product binnen 24 maanden na de datum van aankoop defect raken ten gevolge van materiaal- of constructiefouten, dan garanderen wij de kosteloze vervanging van defecte onderdelen, de reparatie van het product of de vervanging van het product, tenzij:

- ◆ Het product is gebruikt voor handelsdoeleinden, professionele toepassingen of verhuurdoeleinden;
- ◆ Het product onoordeelkundig is gebruikt;
- ◆ Het product is beschadigd door invloeden van buitenaf of door een ongeval;
- ◆ Reparaties zijn uitgevoerd door anderen dan onze servicecentra of Black & Decker-personeel.

Om een beroep te doen op de garantie, dient u een aankoopbewijs te overhandigen aan de verkoper of een van onze servicecentra. U kunt het adres van het dichtstbijzijnde servicecentrum opvragen via de adressen op de achterzijde van deze handleiding. U kunt ook een lijst van onze servicecentra en meer informatie m.b.t. onze klantenservice vinden op het volgende internetadres:

www.2helpU.com

Meld u aan op onze website **www.blackanddecker.nl** om te worden geïnformeerd over nieuwe producten en speciale aanbiedingen. Verdere informatie over het merk Black & Decker en onze producten vindt u op **www.blackanddecker.nl**.

Uso previsto

La sopladora aspiradora de Black & Decker se ha diseñado para la eliminación de hojas. Esta herramienta está pensada únicamente para uso en exteriores.

Instrucciones de seguridad

¡Atención! Al utilizar aparatos eléctricos, es necesario seguir las precauciones de seguridad básicas, incluidas las que se indican a continuación, para reducir el riesgo de incendios, electrocución y lesiones.

- ◆ Lea todo el manual detenidamente antes de utilizar el aparato.
- ◆ Antes de utilizar el aparato, asegúrese de que sabe cómo apagarlo en caso de emergencia.
- ◆ Conserve este manual para futuras consultas.

Consejos

- ◆ Familiarícese con los controles y el uso correcto del aparato.
- ◆ Las normativas locales pueden restringir la edad del usuario.
- ◆ No utilice el aparato mientras haya personas, especialmente niños, o animales cerca.
- ◆ Recuerde que el usuario será responsable de los accidentes y las situaciones peligrosas que puedan sufrir las personas de su alrededor o sus propiedades.

Preparación

- ◆ No utilice el producto si va descalzo o con sandalias.
- ◆ Para proteger sus pies y piernas, lleve siempre calzado resistente o botas y pantalones largos (el césped recién cortado está húmedo y es resbaladizo). El calzado industrial o de goma aumentará su seguridad.
- ◆ Utilice equipo de protección. Utilice gafas de seguridad o gafas de pantalla mientras utiliza el producto.
- ◆ Para evitar irritaciones ocasionadas por las partículas de polvo, se recomienda utilizar una máscara facial adecuada.
- ◆ Utilice protectores para los oídos si el nivel de ruido es molesto mientras utiliza el producto.

¡Atención! Si lleva el pelo largo, recójase de modo que quede por encima de los hombros. Mantenga las prendas de vestir sueltas, corbatas, borlas y cintas sueltas alejadas de las aberturas y piezas móviles.

- ◆ El cable de la fuente de alimentación debe inspeccionarse periódicamente para comprobar que no presenta daños o está gastado, y debe utilizarse solamente si se encuentra en buen estado.
- ◆ Asegúrese siempre de que el producto se encuentra en buenas condiciones y de que todas las piezas se han instalado firmemente antes de utilizarlo.

- ◆ No utilice el producto si presenta alguna pieza defectuosa o gastada.
- ◆ No recoja materiales encendidos como, por ejemplo, colillas de cigarrillo.
- ◆ No utilice la sopladora aspiradora en ambientes gaseosos o explosivos, ya que los motores de estas herramientas suelen echar chispas y los gases podrían encenderse.

Funcionamiento

- ◆ No utilice el producto en modo de aspiración sin los tubos de aspiración y la bolsa colectora en su lugar.
 - ◆ Apague siempre el producto, deje que el ventilador se detenga y desconecte el enchufe de la toma cuando:
 - Cambie del modo de sopladora al de aspiradora.
 - El cable de alimentación esté dañado o enrollado.
 - Deje el producto sin vigilancia.
 - Elimine una obstrucción.
 - Compruebe, ajuste, limpie o realice cualquier operación en el producto.
 - El aparato comience a vibrar de manera anormal.
 - ◆ Evite acercarse a la entrada o la salida de la aspiradora a los ojos o a los oídos cuando utilice el producto. Nunca sople restos en la dirección de otras personas.
 - ◆ No utilice el producto bajo la lluvia ni lo deje en el exterior mientras esté lloviendo.
 - ◆ Utilice el producto únicamente a la luz del día o con iluminación artificial adecuada.
 - ◆ No cruce caminos de grava ni carreteras con el producto encendido en el modo de sopladora o aspiradora. Camine; nunca corra.
 - ◆ No deje la unidad sobre la grava mientras se encuentra encendida.
 - ◆ Manténgase en todo momento firmemente apoyado en el suelo, especialmente cuando esté en pendiente. Sea precavido y mantenga el equilibrio en todo momento.
 - ◆ No recoja sustancias que puedan estar contaminadas con líquidos inflamables o combustibles, como gasolina, ni utilice el producto en lugares donde tales sustancias puedan estar presentes.
 - ◆ No coloque ningún objeto en las aberturas. Nunca utilice el producto si las aberturas están bloqueadas (evite que se introduzcan pelos, pelusas, partículas de polvo u otras sustancias que puedan reducir el flujo de aire).
- ¡Atención!** Utilice siempre el producto según las instrucciones que se describen en este manual. El producto está diseñado para utilizarse en posición vertical, y su utilización de algún otro método puede causar lesiones. Nunca ponga en marcha el producto mientras este se encuentre recostado o boca abajo.
- ◆ No sujete el aparato por el cable para transportarlo.

- ◆ Dirija siempre el cable hacia atrás para alejarlo del aparato.

¡Atención! Si se daña un cable mientras utiliza el producto, desconecte el cable de alimentación de la red eléctrica inmediatamente. **No toque el cable de alimentación sin haberlo desconectado previamente de la red eléctrica.**

Mantenimiento y almacenamiento

- ◆ Antes de utilizarlo, compruebe que el aparato no tiene piezas dañadas o defectuosas. Nunca utilice el aparato con protecciones defectuosas o sin los dispositivos de seguridad, como, por ejemplo, el colector de restos en su lugar. Compruebe que las piezas móviles se encuentran correctamente alineadas y en buenas condiciones, que no hay piezas rotas, y que los dispositivos de protección e interruptores están en buenas condiciones, así como cualquier otro elemento que pudiera afectar al funcionamiento de la herramienta.
- ◆ Asegúrese de que el aparato funciona correctamente y realiza las funciones para las que ha sido diseñado. No utilice el aparato con protecciones o cierres dañados ni mal colocados.
- ◆ No utilice el aparato si presenta alguna pieza dañada o defectuosa. No utilice el aparato con un interruptor defectuoso.
- ◆ Solicite al servicio técnico autorizado la reparación o sustitución de las piezas dañadas o defectuosas.
- ◆ Compruebe con regularidad que el cable no ha sufrido daños. Si se llegase a dañar el cable, deberá ser sustituido por un agente autorizado para evitar cualquier situación de riesgo. Inspeccione los cables de extensión periódicamente. Si el cable de extensión está dañado o es defectuoso, sustitúyalo inmediatamente.
- ◆ No utilice solventes ni fluidos de limpieza para limpiar el producto (utilice un raspador despuntado para eliminar hierba y suciedad).
- ◆ Compruebe frecuentemente que la bolsa colectoras no esté gastada o rota.
- ◆ Cuando no lo utilice, el aparato se debe almacenar en un lugar seco. Los niños no deben tener acceso a los aparatos guardados.
- ◆ El agente autorizado de Black & Decker le proporcionará ventiladores de recambio. Utilice únicamente piezas de repuesto y accesorios recomendados por Black & Decker.

Instrucciones de seguridad adicionales para sopladoras aspiradoras

- ◆ Ninguna persona (incluyendo niños) con capacidades físicas, sensoriales o mentales disminuidas, o que carezca de experiencia y conocimientos, debe utilizar este aparato, salvo que haya recibido supervisión o formación con respecto al uso del aparato por parte de una persona responsable de su seguridad.
- ◆ Los niños deben vigilarse en todo momento para garantizar que el aparato no se toma como elemento de juego.
- ◆ Si se llegase a dañar el cable de alimentación, deberá ser sustituido por el fabricante o por un centro de asistencia técnica autorizado de Black & Decker para evitar cualquier situación de riesgo.

Símbolos



Lea el manual antes de utilizar el aparato.



No utilice el producto bajo la lluvia ni lo deje en el exterior mientras esté lloviendo.



Apague el aparato: desconecte el enchufe de la corriente antes de limpiar o revisar el aparato. Cuando utilice la herramienta, lleve siempre gafas protectoras o de pantalla y protección para los oídos.



Mantenga alejadas a otras personas.

Seguridad eléctrica



La herramienta lleva un doble aislamiento; por lo tanto no requiere de una toma a tierra.

Compruebe siempre que la tensión de la red corresponda con el valor indicado en la placa de datos de la herramienta.

- ◆ Si se llegase a dañar el cable de alimentación, deberá ser sustituido por el fabricante o por un centro de asistencia técnica autorizado de Black & Decker para evitar cualquier situación de riesgo.
- ◆ Se puede incrementar la seguridad eléctrica mediante dispositivos de corriente residual de 30 mA de alta sensibilidad.

Cables de extensión

- ◆ Si utiliza el aparato en el exterior, use únicamente cables de extensión impermeables equipados con acopladores de acuerdo con la norma IEC 603320-2-3.

- ◆ Se puede utilizar un cable de extensión de hasta 25 m con tres núcleos HO5WF de 1,5 mm de Black & Decker sin que se produzca pérdida de potencia.
- ◆ Si se llegase a dañar el cable de alimentación, deberá ser sustituido por el fabricante o por un centro de asistencia técnica autorizado de Black & Decker para evitar cualquier situación de riesgo.

Características

1. Correa de transporte
2. Selector de control de velocidad
3. Conmutador ON/OFF (encendido/apagado)
4. Empuñadura de la bolsa colector
5. Bolsa colector
6. Cuchara de soplado
7. Tubo de soplado
8. Raspador
9. Tubo de aspiración (inferior)
10. Tubo de aspiración (superior)
11. Anillo de bloqueo
12. Botón de liberación
13. Cabezal motorizado

Montaje

¡Atención! Antes de proceder al montaje, compruebe que el aparato está apagado y desenchufado.

Montaje del tubo de aspiración (fig. A)

Los tubos de aspiración deben unirse antes de utilizar el aparato.

¡Atención! No utilice el aparato con los tubos de aspiración separados.

- ◆ Para facilitar el montaje, aplique una solución de agua jabonosa en la zona de unión.
- ◆ Alinee las muescas (15) y los triángulos (14) de los tubos de aspiración superior (10) e inferior (9).
- ◆ Presione el tubo de aspiración inferior (9) firmemente dentro del tubo de aspiración superior (10) hasta que los triángulos encajen.

¡Atención! No separe los tubos una vez montados.

Montaje del tubo de soplado (fig. B)

El tubo de soplado debe montarse en la cuchara de soplado antes de utilizar el aparato.

- ◆ Alinee los círculos (16) de la cuchara de soplado (6) y el tubo de soplado (7).
- ◆ Presione el tubo de soplado (7) firmemente dentro de la cuchara de soplado (6) hasta que los círculos encajen.

¡Atención! No separe los tubos una vez montados.

Montaje de la correa de transporte (fig. C y D)

Instale la correa de transporte (1) en el aparato y ajústela según sus necesidades.

- ◆ Sujete el gancho (17) a través de la abertura (18).
- ◆ Ajuste la longitud del bucle con la hebilla (19).

Uso

Encendido y apagado (fig. E)

¡Atención! Sujete el producto firmemente con ambas manos cuando lo encienda.

- ◆ Para encender el aparato, deslice el interruptor ON/OFF (encendido/apagado) (3) hacia delante.
- ◆ Para apagar el aparato, deslice el interruptor ON/OFF (encendido/apagado) (3) hacia atrás.

Control de dos velocidades (fig. E)

- ◆ Para ofrecer control adicional, la sopladora aspiradora está dotada de un selector de control de velocidad (2) que se encuentra en la empuñadura del cabezal motorizado.
- ◆ Ajuste el selector de control de velocidad (2) en la velocidad adecuada. Seleccione la posición I para baja velocidad y la posición II para alta velocidad.

Fijación para el cable (fig. F)

- ◆ Existe una fijación para el cable (21) incorporada en la parte posterior del cabezal motorizado.
- ◆ Enrolle el cable (20) a través de dicha fijación (21).

Utilización del producto (fig. G)

¡Atención! Tanto si utiliza el producto como una sopladora o una aspiradora, utilice siempre gafas de seguridad. Si utiliza el producto en entornos con mucho polvo, utilice también una mascarilla de filtro.

¡Atención! Apague el producto, deje que el ventilador se detenga y desconecte el enchufe de la toma antes de llevar a cabo cualquier ajuste, reparación u operación de mantenimiento.

Modo de soplado (fig. G, H e I)

Nota: Compruebe que el anillo de bloqueo se encuentra en la posición de desbloqueo (fig. I).

- ◆ Instale la cuchara de soplado (6) y el tubo (7) en el cabezal motorizado (13) (fig. G). Para ello, localice el soplador indicado con la flecha, gire el cabezal hasta este punto y presione el gancho de bloqueo/liberación (12) hasta que el gancho (22) quede totalmente fijado.
- ◆ Gire el anillo de bloqueo (11) en el sentido de las agujas del reloj hasta la posición de bloqueo.

- ◆ Sujete el tubo de soplado aproximadamente 180 mm por encima del nivel del suelo, encienda el aparato, realice un movimiento de barrido de lado a lado y avance lentamente mientras mantiene los restos y hojas acumulados enfrente de usted (fig. H).
- ◆ Una vez que haya reunido los restos y hojas en una pila, puede pasar el modo de aspiración para recogerlos.

Extracción del tubo de soplado/aspiración (fig. I)

- ◆ Para desconectar la cuchara de soplado (6) o el tubo de aspiración (10) del cabezal motorizado (13), gire el anillo de bloqueo (11) en la dirección contraria a las agujas del reloj y, a continuación, pulse el botón de liberación (12), procurando que el tubo no se caiga al suelo.
- ◆ El botón de liberación (12) no funcionará si el anillo de bloqueo (11) se encuentra en la posición de bloqueo.

Modo de aspiración (fig. J - N)

Instale la bolsa en la sopladora aspiradora (fig. J, K y L)

- ◆ Para aspirar y triturar, la bolsa colectora (5) debe estar instalada.
- ◆ Ubique el borde de la bolsa (23) en el canal de sujeción de la bolsa (25) y asegúrese de que la parte frontal de la bolsa pasa por encima de la salida de la aspiradora (24) (fig. J).
- ◆ Deslice la bolsa completamente dentro del canal y presione el pestillo (26) para bloquear la empuñadura en la parte superior de la bolsa (fig. K y L).
- ◆ Coloque el tubo ligeramente por encima de los restos u hojas. Encienda la sopladora aspiradora y realice un movimiento de barrido; el tubo succionará los restos u hojas, que se triturarán y enviarán a la bolsa colectora (fig. M).
- ◆ Para los restos u hojas resistentes, el tubo de aspiración está equipado con un raspador (8). Utilice el raspador para despegar los restos y continúe con el procedimiento de aspiración normal.
- ◆ A medida que la bolsa se llena, la potencia de succión disminuye. Apague la sopladora aspiradora y desconéctela de la fuente de alimentación.
- ◆ Para extraer la bolsa, presione el pestillo (26) para que se desprenda del soporte y deslícela hacia fuera.
- ◆ Para vaciar la bolsa colectora, sujétela por la empuñadura de plástico (4) y agarre el asa de nailon (27) de la parte inferior de la bolsa. Gire la bolsa hacia abajo y sacuda los restos y hojas.

Solución de problemas

Fallo de funcionamiento	1	Compruebe la conexión a la fuente de alimentación.
	2	Compruebe el fusible del enchufe y, si está fundido, sustitúyalo (solamente para el Reino Unido).
	3	Compruebe que el tubo de soplado/aspiración está correctamente montado en el cabezal motorizado.
	4	Si el fusible se sigue fundiendo, desconecte inmediatamente el producto de la fuente de alimentación y póngase en contacto con el agente de servicio técnico autorizado de Black & Decker.
	5	Compruebe la posición del anillo de bloqueo.
Aspiración insuficiente/ chirrido agudo	1	Apague el producto y desconecte el producto de la fuente de alimentación. Los restos deberían expulsarse del tubo.
	2	Extraiga y vacíe la bolsa colectora.
	3	Compruebe que los puertos de entrada y salida del tubo de aspiración estén libres de obstrucciones.
	4	Extraiga cualquier resto del área del ventilador.
	5	Si la potencia de aspiración sigue siendo insuficiente, desconecte inmediatamente el producto de la fuente de alimentación y póngase en contacto con el agente de servicio técnico autorizado de Black & Decker.
Triturado insuficiente	1	Apague el producto, desconecte el producto de la fuente de alimentación y extraiga la bolsa colectora.
	2	Extraiga el tubo de aspiración e inspeccione el ventilador.
	3	Limpie cualquier resto de las palas del ventilador.
	4	Si el ventilador está roto o dañado, no utilice el producto. Póngase en contacto con el agente de servicio técnico autorizado de Black & Decker.

Mantenimiento

El aparato de Black & Decker ha sido diseñado para que funcione durante un largo período de tiempo con un mantenimiento mínimo. El funcionamiento satisfactorio continuado depende de un cuidado apropiado y una limpieza periódica del aparato.

- ◆ Mantenga el aparato limpio y seco.
- ◆ Retire cualquier hoja que haya quedado atascada dentro del tubo de aspiración.
- ◆ Limpie periódicamente las ranuras de ventilación con un cepillo limpio y seco.
- ◆ Para limpiar el aparato, utilice únicamente un jabón suave y un paño húmedo. Evite que penetre líquido en el interior de la herramienta y nunca sumerja ninguna parte en líquido. No utilice limpiadores de base abrasiva o disolvente.
- ◆ En este producto se han utilizado cojinetes autolubricantes, por lo que no se requiere lubricarlos.

Protección del medio ambiente



Recogida selectiva. No se debe desechar este producto con el resto de residuos domésticos.

Si llegase el momento en que fuese necesario sustituir su producto Black & Decker o si éste dejase de tener utilidad para usted, no lo deseche junto con los residuos domésticos. Sepárelo para su recogida selectiva.



La recogida selectiva de productos y embalajes usados permite el reciclaje de materiales y su reutilización. La reutilización de materiales reciclados contribuye a evitar la contaminación medioambiental y reduce la demanda de materias primas.

Las normativas municipales deben ofrecer la recogida selectiva de productos eléctricos del hogar, en puntos municipales previstos para ello o a través del distribuidor en el caso en que se adquiera un nuevo producto.

Black & Decker proporciona facilidades para la recogida y reciclado de los productos Black & Decker que hayan llegado al final de su vida útil. Para poder utilizar este servicio, le rogamos entregue el producto a cualquier servicio técnico autorizado que se hará cargo de él en nuestro nombre.

Para consultar la dirección del servicio técnico más cercano póngase en contacto con la oficina local de Black & Decker en la dirección que se indica en este manual. Como alternativa, se puede consultar en Internet, en la dirección siguiente, la lista de servicios técnicos autorizados e información completa sobre nuestros servicios de posventa y contactos: www.2helpU.com.

Características técnicas

	GW3010
Voltaje	V de CA 230
Potencia absorbida	W 3.000
Capacidad	l 35
Peso (sopladora)	kg 3,4
Peso (aspiradora)	kg 4,76

Declaración de conformidad CE

GW3010

Black & Decker declara que estos productos cumplen con las normas siguientes:

98/37/CE, 2006/95/CEE, 2000/14/CE, EN55014, EN55104, EN60335

Sopladora/colector de hojas = 11 m³/min, Anexo V

Valor cuadrático medio ponderado en frecuencia de la aceleración según EN ISO 5329: 12 m/s²

Nivel de la presión acústica calculado de acuerdo con la norma 2000/14/CE:

Presión acústica (L_{pA}) 92 dB(A)

Potencia acústica (L_{WA}) 105 dB(A)

Garantizada (L_{WA}) 107 dB(A)

El abajo firmante es responsable de la recopilación del archivo técnico y realiza esta declaración en nombre de Black & Decker.

Kevin Hewitt

Director de Ingeniería del Consumidor
Spennymoor, County Durham DL16 6JG,

Reino Unido

08-08-2008

Información sobre el diseño y la patente

Números de patentes europeas: EP 0 723 758 B, EP 0 723 759 B y EP 1 430 825 B

Número de solicitud de patentes europeas: EP 1 442 653 A

Números de registro del diseño en la CE: 69750-0002, 69760-0003 y 712922-0001

Números de patentes estadounidenses: 5673457, 5604954 y 7266860

Número de solicitud de patentes estadounidenses: 2005/0177973

Número de patente de diseño estadounidense: D498885

Garantía

Black & Decker confía plenamente en la calidad de sus productos y ofrece una garantía extraordinaria. Esta declaración de garantía es un añadido, y en ningún caso un perjuicio para sus derechos estatutarios. La garantía es válida dentro de los territorios de los Estados miembros de la Unión Europea y de los de la Zona Europea de Libre Comercio.

Si cualquier producto de Black & Decker resultara defectuoso debido a materiales o mano de obra defectuosos o a la falta de conformidad, Black & Decker garantiza, dentro de los 24 meses posteriores a la fecha de compra, la sustitución de las piezas defectuosas, la reparación de los productos sujetos a un desgaste y rotura razonables o la sustitución de tales productos para garantizar al cliente el mínimo de inconvenientes, a menos que:

- ◆ El producto se haya utilizado con propósitos comerciales, profesionales o de alquiler.
- ◆ El producto se haya sometido a un uso inadecuado o negligente.
- ◆ El producto haya sufrido daños causados por objetos o sustancias extrañas o accidentes.
- ◆ Se hayan realizado reparaciones por parte de personas que no sean del servicio técnico autorizado o personal de servicios de Black & Decker.

Para reclamar en garantía, será necesario que presente la prueba de compra al vendedor o al servicio técnico de reparaciones autorizado. Pueden consultar la dirección de su servicio técnico más cercano poniéndose en contacto con la oficina local de Black & Decker en la dirección que se indica en este manual. Como alternativa, se puede consultar en Internet, en la dirección siguiente, la lista de servicios técnicos autorizados e información completa de nuestros servicios de posventa y contactos:

www.2helpU.com

Visite el sitio web **www.blackanddecker.eu** para registrar su nuevo producto Black & Decker y estar al día sobre productos y ofertas especiales. Encontrará información adicional sobre la marca Black & Decker y nuestra gama de productos en **www.blackanddecker.eu**.

Utilização

O aspirador/soprador de folhas Black & Decker foi concebido para limpar/aspirar folhas. Esta ferramenta destina-se apenas a uma utilização ao ar livre.

Instruções de segurança

Advertência! Quando utilizar aparelhos eléctricos, deve sempre cumprir medidas de segurança básicas, incluindo as seguintes, de modo a reduzir os riscos de incêndio, choques eléctricos e ferimentos pessoais.

- ◆ Leia com atenção todo o manual antes de utilizar o aparelho.
- ◆ Antes de trabalhar com a máquina, certifique-se de que sabe como desligá-la em caso de emergência.
- ◆ Conserve este manual para referência futura.

Preparação

- ◆ Familiarize-se com os controlos e a utilização adequada da máquina.
- ◆ As normas locais podem restringir a idade do operador.
- ◆ Nunca utilize a máquina enquanto estiverem pessoas - em especial, crianças - nas proximidades.
- ◆ Tenha em atenção de que o operador será responsabilizado por acidentes ou perigos que possam ocorrer a outras pessoas ou bens.

Preparação

- ◆ Não trabalhe com a máquina usando sandálias ou descalço.
- ◆ Para proteger os pés e pernas, use sempre sapatos ou botas reforçados e calças compridas - a erva cortada de fresco é húmida e escorregadia. Calçado de borracha ou artificial irá aumentar a sua segurança.
- ◆ Use equipamento de protecção. Use óculos de protecção enquanto trabalha com a máquina.
- ◆ Para evitar irritação cutânea, é recomendável o uso de uma máscara facial adequada.
- ◆ A protecção auricular deve ser usada sempre que o nível de som for incómodo quando utilizar a máquina.

Advertência! Se tiver cabelo comprido, amarre-o de modo a que fique acima do seu ombro. Mantenha as peças móveis e em movimento afastadas de roupa larga, franjas e cordões.

- ◆ O cabo de alimentação deve ser inspeccionado regularmente quanto a indícios de danos ou deterioração e apenas pode ser utilizado em bom estado.
- ◆ Certifique-se sempre de que o seu produto está em bom estado de funcionamento e todas as peças estão fixas antes de ser utilizadas.
- ◆ Não utilize a máquina se alguma das peças estiver danificada ou avariada.

- ◆ Não recolha materiais a arder como pontas de cigarro acesas.
- ◆ Não trabalhe com o aspirador/soprador num ambiente gasoso ou explosivo, dado que os motores inflamam e provocam fumos com estas ferramentas.

Funcionamento

- ◆ Não utilize o modo de aspiração sem que os tubos de aspiração e o saco de recolha estejam na devida posição.
- ◆ Antes de desligar a máquina, deixe que a ventoinha pare e remova a ficha da tomada quando:
 - Mudar de soprador para aspirador.
 - O cabo de alimentação ficar danificado ou torcido.
 - Deixar a máquina sem vigilância.
 - Limpar um obstáculo.
 - Verificar, ajustar, limpar ou trabalhar com a máquina.
 - Se a máquina começar a vibrar anormalmente.
- ◆ Não coloque a entrada ou saída do aspirador perto dos olhos ou ouvidos quando estiver trabalhar com a máquina. Nunca sobre detritos na direcção de pessoas que se encontram nas proximidades.
- ◆ Se estiver a chover, não utilize o aparelho nem o deixe no exterior.
- ◆ Utilize apenas a máquina à luz do dia ou com boa luz artificial.
- ◆ Não atravesse caminhos ou estradas de gravilha quando a máquina estiver ligada em modo sopra/ aspiração. Caminhe, nunca corra.
- ◆ Não coloque a máquina na gravilha enquanto estiver ligada.
- ◆ Tenha sempre cuidado ao deslocar-se, especialmente em terrenos inclinados. Não tente chegar a pontos fora do alcance e mantenha sempre o equilíbrio.
- ◆ Não recolha material que possa estar contaminado com líquidos inflamáveis ou combustíveis como gasolina, ou utilize em áreas em que possam estar presentes.
- ◆ Não coloque quaisquer objectos nas aberturas da máquina. Nunca utilize a máquina se as aberturas estiverem obstruídas - mantenha cabelos, algodão, pó ou qualquer objecto que possa reduzir a circulação do ar longe das aberturas.

Advertência! Utilize sempre a máquina da forma descrita neste manual. A máquina foi concebida para ser utilizada de um modo vertical e se for utilizada de outro modo pode provocar danos pessoais. Nunca ponha a máquina em funcionamento quando estiver pousada/apoiada sobre um dos seus lados ou virada ao contrário.

- ◆ Não transporte a máquina pelo cabo.
- ◆ Direcione sempre o cabo para a traseira, longe da máquina.

Advertência! Se um cabo se danificar durante a utilização, desligue de imediato a máquina da fonte de alimentação eléctrica. **Não toque no cabo de alimentação antes de desligar da fonte de alimentação eléctrica.**

Manutenção e armazenamento

- ◆ Antes da utilização, verifique o aparelho quanto a peças danificadas ou avariadas. Nunca trabalhe com a máquina com protecções deficientes, ou sem os dispositivos de segurança montados (colector de detritos). Verifique se as partes móveis estão desalinhadas ou bloqueadas, se existem peças partidas, se as protecções e os botões estão danificados ou qualquer outra situação que possa afectar o funcionamento das ferramentas eléctricas.
- ◆ Certifique-se de que a máquina irá funcionar correctamente e executar a função que pretende. Nunca utilize o aparelho se as protecções ou caixas estiverem danificadas ou não estiverem na devida posição.
- ◆ Não utilize o aparelho se alguma das peças se encontrar danificada ou avariada. Não utilize a máquina se o interruptor não puder ser ligado nem desligado.
- ◆ Mandar reparar ou substituir quaisquer peças danificadas ou avariadas por um agente de reparação autorizado.
- ◆ Verifique regularmente se o cabo apresenta danos. Se o cabo for danificado, terá de ser substituído por um agente de reparação autorizado para evitar acidentes. Verifique periodicamente os cabos de extensão. Substitua, de imediato, um cabo de extensão caso esteja danificado.
- ◆ Não utilize solventes ou líquidos de limpeza para limpar a máquina – utilize uma raspadeira para remover vidro ou sujidade.
- ◆ Verifique regularmente o saco de recolha quanto a indícios de desgaste ou deterioração.
- ◆ Quando não estiver em utilização, o aparelho deve ser guardado num local seco. As crianças não devem ter acesso a aparelhos armazenados.
- ◆ As ventoinhas de substituição estão disponíveis no seu agente Black & Decker. Certifique-se de que utiliza apenas peças de substituição e acessórios recomendados pela Black & Decker.

Instruções de segurança adicionais para aspiradores/sopradores

- ◆ Este aparelho não deve ser utilizado por pessoas (incluindo crianças) que apresentem capacidades físicas, sensoriais ou mentais reduzidas ou que não possuam os conhecimentos e a experiência necessários, excepto se forem vigiadas e instruídas acerca da utilização do aparelho por uma pessoa responsável pela sua segurança.
- ◆ As crianças deverão ser vigiadas para que não mexam no aparelho.
- ◆ Se o cabo de alimentação for danificado, terá de ser substituído pelo fabricante ou por um centro de assistência autorizado Black & Decker para evitar acidentes.

Símbolos



Leia o manual antes de colocar a máquina em funcionamento.



Se estiver a chover, não utilize o aparelho nem o deixe no exterior.



Desligar. Retire a ficha da tomada eléctrica antes de proceder à limpeza ou manutenção do aparelho.



Utilize óculos ou viseiras de protecção e protectores auriculares quando utilizar esta ferramenta.



Mantenha as outras pessoas afastadas.

Segurança eléctrica



Esta ferramenta tem um isolamento duplo e, por isso, não é necessário um fio de terra. Verifique sempre se a fonte de alimentação corresponde à tensão indicada na placa de especificações.

- ◆ Se o cabo de alimentação for danificado, terá de ser substituído pelo fabricante ou por um centro de assistência autorizada Black & Decker para evitar acidentes.
- ◆ A segurança eléctrica pode ser melhorada mediante a utilização de um Dispositivo de Corrente Residual (RCD) de alta sensibilidade (30 mA).

Extensões eléctricas

- ◆ Quando utilizar o aparelho em exteriores, utilize apenas cabos de extensão à prova de intempéries com acoplamentos instalados de acordo com CEI 603320-2-3.

- ◆ Pode utilizar um cabo de extensão Black & Decker HO5WF de 1,5 mm de 3 condutores até 25 m sem perda de energia.
- ◆ Se o cabo de alimentação for danificado, terá de ser substituído pelo fabricante ou por um centro de assistência autorizado Black & Decker para evitar acidentes.

Funções

1. Alça de transporte
2. Interruptor de controlo de velocidade
3. Interruptor para ligar/desligar
4. Punho do saco de recolha
5. Saco de recolha
6. Articulação de sopro
7. Tubo de sopro
8. Raspador
9. Tubo de aspiração - inferior
10. Tubo de aspiração - superior
11. Anel de bloqueio
12. Solte o interruptor
13. Cabeça de potência

Montagem

Advertência! Antes da montagem, certifique-se de que o aparelho está desligado e que não está ligado à corrente eléctrica.

Montagem do tubo do aspirador (fig.A)

Os tubos de aspiração devem ser montados em conjunto antes de serem utilizados.

Advertência! Não utilize a máquina com os tubos de aspiração em separado.

- ◆ Para facilitar a montagem, aplique uma solução de água com sabão na área de junção.
- ◆ Alinhe os entalhes (15) e os triângulos (14) nos tubos de aspiração superior (10) e inferior (9).
- ◆ Pressione o tubo de aspiração inferior (9) com firmeza para dentro do tubo de aspiração superior (10) até que os triângulos emitam um som "clique" de encaixe.

Advertência! Não separe os tubos depois de serem montados.

Montagem de tubo de sopro (fig.B)

Os tubos de sopro devem ser montados na articulação de sopro antes de serem utilizados.

- ◆ Alinhe os círculos (16) na articulação de sopro (6) e o tubo de sopro (7).
- ◆ Pressione o tubo de sopro (7) com firmeza para dentro da articulação de sopro (6) até que os círculos emitam um som "clique" de encaixe.

Advertência! Não separe os tubos depois de serem montados.

Montagem de alça de transporte (fig.C - D)

Coloque a alça de transporte (1) na máquina e ajuste-a à medida do utilizador.

- ◆ Prensione o gancho (17) através do ilhó (18).
- ◆ Ajuste o comprimento do laço com a fivela (19).

Utilização

Ligar e desligar (fig. E)

Advertência! Use ambas as mãos para agarrar na máquina com firmeza quando o ligar.

- ◆ Para ligar o aparelho, faça deslizar para a frente o interruptor para ligar/desligar (3).
- ◆ Para desligar o aparelho, faça deslizar para trás o interruptor para ligar/desligar (3).

Controlo de 2 velocidades (fig.E)

- ◆ Para um controlo suplementar, o aspirador/soprador é fornecido com um interruptor de controlo de velocidade (2) localizado na cabeça de potência.
- ◆ Defina o interruptor de controlo de velocidade (2) para a gama de velocidades pretendida. Posição I para baixa velocidade, posição II para alta velocidade.

Grampo de cabo (fig.F)

- ◆ Está incorporado um grampo de cabo (21) na traseira da cabeça de potência.
- ◆ Enrole o cabo (20) através do grampo do cabo (21).

Utilização do produto (fig.G)

Advertência! Quando utilizar um aspirador ou soprador, utilize sempre óculos de protecção. Se utilizar a máquina em ambientes com poeira, use uma máscara com filtro.

Advertência! Desligue a máquina, deixe que a ventoinha pare e remova a ficha da tomada antes de fazer qualquer ajuste ou operação de manutenção:

Modo de sopro (fig.G H e I)

Nota: Certifique-se de que o anel de bloqueio está na posição de desbloqueio (fig.I).

- ◆ Fixe a articulação de sopro (6) e o tubo (7) à cabeça de potência (13) (fig.G), localizando o soprador de acordo com o indicado pela seta e depois o pivot sobre este ponto; pressione a lingueta de bloqueio/desengate (12) até que a lingueta (22) fique completamente engatada.
- ◆ Rode o anel de bloqueio (11) no sentido dos ponteiros do relógio para a posição de bloqueio.
- ◆ Segure no tubo de sopro a cerca de 180 mm acima do chão, ligue o aparelho e fazendo um movimento pendular, avance lentamente mantendo os detritos/ folhas à sua frente (fig.H).

- ◆ Assim que juntar os detritos/folhas numa pilha, pode mudar para o modo de aspiração para recolher os detritos.

Remover o tubo de sopro/vácuo (fig.I)

- ◆ Para desligar a articulação de sopro (6) ou o tubo de aspiração (10) da cabeça de potência (13), rode o anel de bloqueio (11) no sentido contrário ao dos ponteiros do relógio para a posição de desbloqueio e, em seguida, pressione o botão de desengate (12), certificando-se de que o tubo não cai no chão.
- ◆ O botão de desengate (12) não irá funcionar se o anel de bloqueio (11) estiver na posição de bloqueio.

Modo de aspiração (fig.J - N)

Coloque o saco no aspirador/soprador (figs. J, K, L)

- ◆ For aspirar/triturar, o saco de recolha deve (5) estar montado.
- ◆ Localize o aro do saco (23) no canal do suporte do saco (25), certificando-se de que a parte frontal do saco está colocada sobre a saída da aspiração (24) (fig.J).
- ◆ Faça deslizar completamente o saco para o canal e pressione a lingueta (26) para bloquear o topo do saco (fig.K e L).
- ◆ Posicione o tubo ligeiramente acima dos detritos/folhas. Ligue o aspirador/soprador e movimente-se como estivesse a varrer; os detritos/folhas serão sugados pelo tubo, triturados para dentro do saco de recolha (fig.M).
- ◆ Para detritos/folhas “teimosos”, o tubo de aspiração vem incorporado com um raspador (8). Utilize o raspador para retirar os detritos e continuar a aspiração normalmente.
- ◆ À medida que o saco enche, a potência de sucção diminui, desligue o aspirador/soprador e desligue da alimentação eléctrica.
- ◆ Para remover o saco, pressione a lingueta (26) para desengatar do suporte do saco e faça deslizar o saco para fora.
- ◆ Para esvaziá-lo, segure no punho do saco de recolha plástico (4) e agarre na pega de nylon (27) na parte inferior do saco. Vire o saco ao contrário e sacuda quaisquer detritos e folhas.

Resolução de problemas

Erro de funcionamento	1	Verifique a ligação à corrente eléctrica.
	2	Verifique o fusível na ficha, se estiver fundido, substitua-o (apenas Reino Unido).
	3	Verifique se o tubo de aspiração/sopro está correctamente montado na cabeça de potência
	4	Se o fusível continuar fundido – desligue de imediato da corrente eléctrica e consulte o seu agente autorizado Black & Decker local.
	5	Verifique a posição do anel de bloqueio.
Aspiração com pouca força/ ruído agudo (silvo)	1	Desligue a máquina da corrente eléctrica, os detritos devem cair directamente no tubo.
	2	Remova e esvazie o saco de recolha.
	3	Verifique se as portas de entrada e saída no tubo de aspiração estão desimpedidas.
	4	Remova quaisquer detritos da área de ventilação.
	5	Se a aspiração continuar sem força – desligue de imediato a máquina da corrente eléctrica e consulte o seu agente autorizado Black & Decker local.
Trituração deficiente	1	Desligue a máquina da corrente eléctrica e remova o saco de recolha.
	2	Remova o tubo de aspiração e inspeccione a ventoinha.
	3	Limpe quaisquer detritos das lâminas de ventilação.
	4	Se a ventoinha estiver danificada ou partida, não a utilize - consulte o seu agente autorizado Black & Decker local.

Manutenção

O seu aparelho Black & Decker foi concebido para funcionar por um longo período de tempo com uma manutenção mínima. Um funcionamento contínuo e satisfatório depende de uma manutenção adequada e da limpeza regular da máquina.

- ◆ Mantenha a máquina limpa e seca.
- ◆ Remova quaisquer folhas que estejam presas dentro do tubo de aspiração.
- ◆ Limpe regularmente os encaixes de ventilação com uma escova limpa e seca.
- ◆ Para limpar o aparelho, utilize apenas sabão neutro e um pano húmido. Nunca deixe nenhum líquido entrar na ferramenta e nunca submerja nenhuma parte da ferramenta em líquido. Não utilize nenhum produto de limpeza abrasivo ou à base de solventes.
- ◆ São utilizados rolamentos de lubrificação automática na máquina; deste modo, a lubrificação não é necessária.

Protecção do ambiente



Recolha separada. Este produto não pode ser eliminado juntamente com os resíduos domésticos normais.

Se, em algum momento, verificar que o seu produto Black & Decker precisa de ser substituído ou que deixou de ter utilidade, não o elimine junto com os resíduos domésticos. Coloque-o disponível para uma recolha separada.



A recolha separada de produtos e embalagens usados permite que os materiais sejam reciclados e novamente utilizados. A reutilização de materiais reciclados ajuda a evitar a poluição ambiental e reduz a procura de matérias-primas.

A legislação local poderá prever a recolha separada de produtos domésticos eléctricos, seja em lixeiras municipais ou através do revendedor quando adquire um produto novo.

A Black & Decker dispõe de instalações para recolha e reciclagem de produtos Black & Decker quando estes atingem o fim da sua vida útil. Para usufruir deste serviço, devolva o produto em qualquer agente de reparação autorizado, que os recolherá em seu nome.

Pode verificar a localização do agente de reparação autorizado mais perto de si, contactando os escritórios locais da Black & Decker através do endereço indicado neste manual. Se preferir, pode encontrar na Internet uma lista de agentes de reparação autorizados Black & Decker, detalhes completos e contactos do serviço pós-venda, no endereço: www.2helpU.com.

Dados técnicos

	GW3010
Tensão	Vac 230
Potência utilizada	W 3000
Capacidade	l 35
Peso (soprador)	kg 3,4
Peso (aspirador)	kg 4,76

Declaração de conformidade CE

GW3010

A Black & Decker declara que estes produtos estão em conformidade com:

98/37/CE, 2006/95/CEE, 2000/14/CE, EN55014, EN55104, EN60335

Aspirador/soprador de folhas = 11m³/min, Annex V

Valor de peso da vibração mão/braço de acordo com EN ISO 5329: 12 m/s²

Nível de pressão acústica medido de acordo com 2000/14/CE:

Pressão acústica (L_{pA}) 92 dB(A)

Potência acústica (L_{WA}) 105 dB(A)

Garantida (L_{WA}) 107 dB(A)

O signatário é responsável pela compilação do ficheiro técnico e efectua esta declaração em nome da Black & Decker

Kevin Hewitt

Director de Engenharia de Consumo
Spennymoor, County Durham DL16 6JG,

Reino Unido

08-08-2008

Informações sobre Design e Patentes

Números de patente europeia EP 0 723 758 B, EP 0 723 759 B e EP 1 430 825 B

Número de aplicação da patente europeia: EP 1 442 653 A

Números de registo de design CE: 69750-0002, 69760-0003 e 712922-0001

Números de patente norte-americana 5673457, 5604954 e 7266860

Número de aplicação da patente norte-americana: 2005/0177973

Número de patente de design norte-americana: D498885

Garantia

A Black & Decker confia na qualidade dos seus produtos e oferece uma garantia excelente. Esta declaração de garantia é um complemento dos seus direitos estabelecidos por lei, não os prejudicando de forma alguma. A garantia é válida nos territórios dos Estados Membros da União Europeia e da Associação Europeia de Comércio Livre.

Se um produto Black & Decker se avariar devido a defeitos de material, fabrico ou não conformidade, num período de 24 meses após a data da compra, a Black & Decker garante a substituição de peças defeituosas, a reparação de produtos sujeitos a um desgaste aceitável ou a substituição dos mesmos para garantir o mínimo de inconveniente ao cliente, excepto se:

- ◆ O produto tiver sido utilizado para fins comerciais, profissionais ou de aluguer.
- ◆ O produto tiver sido submetido a utilização indevida ou descuido.
- ◆ O produto tiver sido danificado por objectos estranhos, substâncias ou acidentes.
- ◆ Tiverem sido tentadas reparações por pessoas que não sejam agentes de reparação autorizados ou técnicos de manutenção da Black & Decker.

Para accionar a garantia, terá de apresentar comprovativos de compra ao vendedor ou a um agente de reparação autorizado. Pode verificar a localização do agente de reparação autorizado mais perto de si, contactando os escritórios locais da Black & Decker através do endereço indicado neste manual. Se preferir, pode encontrar na Internet uma lista de agentes de reparação autorizados Black & Decker, detalhes completos e contactos do serviço pós-venda, no endereço:

www.2helpU.com

Visite o nosso website **www.blackanddecker.eu** para registar o novo produto Black & Decker e manter-se actualizado relativamente a novos produtos e ofertas especiais. Pode encontrar mais informações sobre a marca Black & Decker e nossa gama de produtos em **www.blackanddecker.eu**.

Användningsområde

Denna lövblås från Black & Decker är konstruerad för lövborttagning. Verktöget är endast avsett som konsumentverktyg för utomhusbruk.

Säkerhetsinstruktioner

Varning! För att förhindra brand, elektriska stötar och personskador ska grundläggande säkerhetsföreskrifter, inklusive de som följer, alltid följas vid användning av nätdrivna apparater.

- ◆ Läs hela den här bruksanvisningen noggrant innan du börjar använda apparaten.
- ◆ Ta reda på hur man stänger av apparaten innan du använder den, om en nödsituation skulle uppstå.
- ◆ Behåll bruksanvisningen för framtida referens.

Innan du börjar använda apparaten

- ◆ Läs de här anvisningarna noggrant. Bekanta dig med reglagen och ta reda på hur apparaten ska användas.
- ◆ Låt inte barn eller personer som inte har läst dessa instruktioner använda apparaten. Det kan finnas lokala bestämmelser gällande åldersgräns för användaren.
- ◆ Använd inte apparaten i närheten av andra människor (främst barn) eller husdjur.
- ◆ Användaren ansvarar för olyckor och risker som andra människor eller deras egendom utsätts för.

Föberedelser

- ◆ Var inte barfota och bär inte sandaler med öppen tå när du använder apparaten.
- ◆ Skydda fötter och ben genom att alltid bära kraftiga skor eller stövlar och långbyxor. Nyklippt gräs är fuktigt och halt. Skor i gummi eller syntetmaterial ökar säkerheten.
- ◆ Använd skyddsutrustning. Bär alltid skyddsglasögon när du använder apparaten.
- ◆ En lämplig ansiktsmask rekommenderas för att undvika inandning av damm.
- ◆ Om ljudnivån är så hög att det stör när du använder apparaten ska hörselskydd användas.

Varning! Långt hår bör sättas upp över axellängd. Se till att löst sittande kläder, slipsar och remmar inte kommer i kontakt med öppningar och rörliga maskindelar.

- ◆ Strömkabeln bör kontrolleras regelbundet efter tecken på skador eller slitage. Använd den bara om den är i bra skick.
- ◆ Kontrollera alltid att produkten fungerar på ett säkert sätt och att alla delar sitter fast innan du använder den.
- ◆ Använd inte produkten om någon del har gått sönder eller är utsliten.
- ◆ Ta inte upp brännande material, t.ex. glödande cigarettfimpar.

- ◆ Använd inte lövblåsen i gasfyllda eller explosionsfarliga omgivningar eftersom motorn normalt avger gnistor som kan antända ångor.

Användning

- ◆ Använd inte sugfunktionen utan att sugtub och uppsamlare är monterade.
- ◆ Slå alltid av produkten, låt fläkten stanna och dra kontakten ur uttaget om:
 - Du byter från blås- till sugfunktion.
 - Strömkabeln har skadats eller trasslat till sig.
 - Du lämnar produkten utan tillsyn.
 - Du tar bort ett stopp.
 - Du kontrollerar, justerar, rengör eller arbetar med produkten.
 - Apparaten börjar vibrera på ett onormalt sätt.
- ◆ Ha inte insugnings- eller utblåsningshålet i närheten av ögon eller öron när apparaten används. Blås aldrig skräp mot någon.
- ◆ Apparaten bör inte användas när det regnar eller lämnas utomhus när det regnar.
- ◆ Använd endast produkten i dagsljus eller i tillräcklig artificiell belysning.
- ◆ Gå inte över grusgångar eller grusvägar när produkten är påslagen eller när du använder blås- eller sugfunktionen. Gå med produkten. Spring aldrig.
- ◆ Lägg inte enheten på grus medan den är påslagen.
- ◆ Se alltid till så att du har ett bra fotfäste och var särskilt försiktig när marken sluttar. Sträck dig inte för långt och håll alltid balansen.
- ◆ Samla inte upp material som kan innehålla antändningsbara eller brännbara vätskor, t.ex. bensin, och använd inte apparaten i områden där sådana kan finnas.
- ◆ Stoppa inte in några föremål i öppningarna. Använd aldrig apparaten om öppningarna är blockerade. Håll borta hår, ludd, damm och annat som kan minska luftflödet.

Varning! Använd alltid produkten på det sätt som beskrivs i den här handboken. Produkten är avsedd att användas i upprätt läge. Om den används på något annat sätt kan det orsaka personskador. Använd aldrig produkten om den ligger på sidan eller upp och ned.

- ◆ Bär inte apparaten i sladden.
- ◆ Håll alltid sladden riktad bakåt, bort från apparaten.

Varning! Om en sladd skadas när du använder apparaten kopplar du omedelbart bort sladden från elnätet. **Rör inte vid sladden innan du har dragit ut den ur uttaget.**

Underhåll och förvaring

- ◆ Kontrollera att apparaten är hel och att den inte innehåller några skadade delar innan du använder den. Använd inte apparaten om skydd eller skyddsplåtar är trasiga eller om säkerhetsanordningarna, t.ex. uppsamlaren, inte är monterade. Kontrollera att rörliga komponenter fungerar felfritt och inte kårvar, att inga komponenter är sönder, att skydd och reglage inte har skadats och att inget annat föreligger som kan påverka apparatens funktioner.
- ◆ Försäkra dig om att apparaten fungerar som den ska och kan användas för det den är avsedd för. Använd inte apparaten om något skydd eller någon del av höljet är skadat eller inte sitter på plats.
- ◆ Använd inte apparaten om någon del har skadats eller gått sönder. Använd inte apparaten om det inte går att starta och stänga av den med strömbrytaren.
- ◆ Reparera eller byt ut skadade eller trasiga delar på en auktoriserad verkstad.
- ◆ Kontrollera ofta om sladden har några skador. Om sladden är skadad måste den för undvikande av fara bytas ut av en auktoriserad verkstad. Kontrollera förlängningssladdarna med jämna mellanrum. Byt ut skadade förlängningssladdar omedelbart.
- ◆ Använd inte lösnings- eller rengöringsmedel när du rengör produkten. Använd en trubbig skrapa för att ta bort gräs och smuts.
- ◆ Kontrollera ofta att uppsamlaren inte är utsliten eller har skadats.
- ◆ När den inte används bör apparaten förvaras torrt. Placera apparaten på ett ställe där barn inte kan komma åt den.
- ◆ Nya fläktar finns att köpa hos Black & Decker-återförsäljare. Använd endast reservdelar och tillbehör som rekommenderas av Black & Decker.

Ytterligare säkerhetsföreskrifter för lövblåsar

- ◆ Verktuget ska inte användas av personer (inklusive barn) med nedsatt fysisk eller psykisk förmåga eller bristande erfarenhet och kunskap, om de inte får vägledning och övervakning av en person som ansvarar för deras säkerhet.
- ◆ Barn måste hållas under uppsikt så att de inte leker med redskapet.
- ◆ Om nätsladden är skadad måste den för undvikande av fara bytas ut av tillverkaren eller en auktoriserad Black & Decker-verkstad.

Symboler



Läs bruksanvisningen innan du använder apparaten.



Apparaten bör inte användas när det regnar eller lämnas utomhus när det regnar.



Stäng av: dra ur kontakten ur eluttaget innan rengöring eller underhåll.



Bär alltid skyddsglasögon och öronskydd när du använder verktyget.



Håll åskådare borta.

Elektrisk säkerhet



Eftersom verktyget är dubbelisolerat behövs ingen jordledare. Kontrollera alltid att nätspänningen överensstämmer med värdet på typskylten.

- ◆ Om nätsladden är skadad måste den för undvikande av fara bytas ut av tillverkaren eller en auktoriserad Black & Decker-verkstad.
- ◆ Elsäkerheten kan förbättras ytterligare genom att man använder en jordfelsbrytare med hög känslighet (30 mA).

Förlängningskablar

- ◆ Om apparaten används utomhus bör endast väderbeständiga förlängningssladdar med kopplare enligt IEC 603320-2-3 användas.
- ◆ En 1.5 mm HO5WF 3-förlängningssladd från Black & Decker på upp till 25 m kan användas utan spänningsförlust.
- ◆ Om nätsladden är skadad måste den för undvikande av fara bytas ut av tillverkaren eller en auktoriserad Black & Decker-verkstad.

Funktioner

1. Bärrem
2. Hastighetsreglage
3. Strömbrytare
4. Handtag för uppsamlare
5. Uppsamlare
6. Blåsmunstycke
7. Blåstüb
8. Skrapa
9. Nedre sugtüb
10. Övre sugtüb
11. Låsring
12. Låsknapp
13. Motorhuvud

Montering

Varning! Se till att verktyget är avstängt samt att det inte är anslutet innan du påbörjar monteringen.

Sätta ihop sugtuben (fig. A)

Sugtubarna måste sättas ihop innan du använder apparaten.

Varning! Använd inte apparaten om sugtubarna inte är hopsatta.

- ◆ Underlätta hopsättningen genom att applicera en tvålvattenlösning på fogområdet.
- ◆ Passa in skårorna (15) och trianglarna (14) på den övre (10) och den nedre (9) sugtuben mot varandra.
- ◆ Tryck in den nedre sugtuben (9) ordentligt i den övre sugtuben (10) tills trianglarna klickar på plats.

Varning! Ta inte isär tubarna när de har satts ihop.

Sätta ihop blåstuben (fig. B)

Blåstuben måste monteras på blåsmunstycket innan den används.

- ◆ Passa in cirklarna (16) på blåsmunstycket (6) och blåstuben (7).
- ◆ Tryck in blåstuben (7) ordentligt i blåsmunstycket (6) tills cirklarna klickar på plats.

Varning! Ta inte isär tubarna när de har satts ihop.

Sätta ihop bärremmen (fig. C–D)

Sätt fast bärremmen (1) på apparaten och justera så att den passar användaren.

- ◆ Sätt fast kroken (17) i ögat (18).
- ◆ Justera öglans längd med spännet (19).

Användning

Sätta på och stänga av (bild E)

Varning! Håll apparaten stadigt med båda händerna när du slår på den.

- ◆ Slå på apparaten genom att föra strömbrytaren (3) framåt.
- ◆ Stäng av apparaten genom att föra strömbrytaren (3) bakåt.

Hastighetskontroll med 2 lägen (fig. E)

- ◆ Lövlåsen är försedd med ett hastighetsreglage (2) på motorhuvudets handtag, vilket ger extra kontroll.
- ◆ Vrid hastighetsreglaget (2) till önskad hastighet. Position I för låg hastighet, position II för hög hastighet.

Sladdhållare (fig. F)

- ◆ En sladdhållare (21) sitter på baksidan av motorhuvudet.
- ◆ Dra sladden (20) genom sladdhållaren (21).

Använda produkten (fig. G)

Varning! Bär alltid skyddsglasögon när du använder blås- eller sugfunktionen. Bär en skyddsmask när du arbetar i dammiga miljöer.

Varning! Slå alltid av produkten, låt fläkten stanna och dra kontakten ur uttaget innan du gör justeringar eller utför service eller underhåll.

Blåsfunktion (fig. G H och I)

Obs! Kontrollera att låsringen är i olåst läge (fig. I).

- ◆ Fäst blåsmunstycket (6) och tuben (7) vid motorhuvudet (13) (fig. G) genom att placera blåsaren som pilen visar. Vänd över den här punkten och tryck låsspärren (12) tills spärren (22) sitter helt fast.
- ◆ Vrid låsringen (11) medurs till det låsta läget.
- ◆ Håll blåstuben cirka 180 mm ovanför marken, slå på apparaten och rör den från sida till sida med en svepande rörelse. Gå sakta framåt och håll det hopsamlade skräpet eller löven framför dig (fig. H).
- ◆ När du har blåst ihop allt i en hög kan du växla till sugfunktionen och samla upp skräpet/löven.

Ta bort blås- eller sugtuben (fig. I)

- ◆ Om du vill ta bort blåsmunstycket (6) eller sugtuben (10) från motorhuvudet (13) vrider du låsringen (11) moturs till det olåsta läget. Tryck sedan på låsknappen (12) och se till att tuben inte faller ned på marken.
- ◆ Låsknappen (12) fungerar inte om låsringen (11) är i låst läge.

Sugfunktion (bfig. J - N)

Fäst uppsamlaren vid lövblåsen (fig. J, K, L)

- ◆ För uppsugning/rivning måste uppsamlaren (5) monteras.
- ◆ Sätt in uppsamlarens kant (23) i hållarens kanal (25). Se till att framsidan av uppsamlaren är placerad över utblåsningshålet (24) (fig. J).
- ◆ För in uppsamlaren helt i kanalen och tryck på spärren (26) för att låsa fast handtaget i uppsamlarens överdel (fig. K och L).
- ◆ Placera tuben lite ovanför skräpet/löven Slå på lövblåsen och gör en svepande rörelse. Skräpet/löven sugas upp i tuben, rivs sönder och hamnar sedan i uppsamlaren (fig. M).
- ◆ För skräp/löv som är svåra att suga upp finns det en skrapa (8). Använd skrapan för att lossa skräpet och fortsätt att suga som normalt.
- ◆ När uppsamlaren fylls upp minskar sugkraften. Stäng av lövblåsen och koppla bort den från uttaget.
- ◆ Ta bort uppsamlaren genom att trycka på spärren (26) så att uppsamlaren lossnar från hållaren. Dra ut uppsamlaren.
- ◆ Töm uppsamlaren genom att hålla i plasthandtaget (4) och ta tag i nylonhandtaget (27) på undersidan. Vänd uppsamlaren upp och ned och skaka ut skräp och löv.

Felsökning

Apparaten fungerar inte	1	Kontrollera anslutningen till strömkällan.
	2	Kontrollera säkringen i kontakten. Om den
	3	Kontrollera att blås-/sugtuben är korrekt monterad på motorhuvudet
	4	Om säkringen fortsätter att gå kopplar du omedelbart bort apparaten från nätuttaget och kontaktar den lokala, auktoriserade Black & Decker-verkstaden.
	5	Kontrollera låsringens läge.
Apparaten suger dåligt/högt, vinande ljud	1	Stäng av apparaten och koppla bort från nätuttaget. Skräpet bör falla ut ur tuben.
	2	Ta bort och töm uppsamlaren.
	3	Kontrollera att både ingången och utgången på sugtuben är fria från skräp.
	4	Avlägsna allt skräp runt fläkten.
	5	Om apparaten fortsätter att suga dåligt kopplar du omedelbart bort apparaten från nätuttaget och kontaktar en behörig Black & Decker-reparatör.
Rivningen fungerar dåligt	1	Stäng av apparaten och koppla bort den från nätuttaget. Ta bort uppsamlaren.
	2	Ta bort sugtuben och undersök fläkten.
	3	Avlägsna allt skräp från fläktbladen.
	4	Om fläkten har sprickor eller är skadad på annat sätt ska du inte använda apparaten. Kontakta en behörig Black & Decker-reparatör.

Underhåll

Denna Black & Decker-apparat har tillverkats för att fungera under lång tid med ett minimum av underhåll. Med rätt underhåll och regelbunden rengöring behåller apparaten sin prestanda.

- ◆ Håll apparaten ren och torr.
- ◆ Ta bort löv som har fastnat inuti sugtuben.
- ◆ Rengör regelbundet ventilationsöppningen med en ren och torr målarborste.

- ◆ Använd bara mild tvål och en fuktig trasa för att rengöra apparaten. Låt aldrig någon vätska komma in i apparaten och doppa den aldrig i någon vätska. Använd inte rengöringsprodukter som innehåller lösnings- eller slipmedel.
- ◆ Produkten har självsmörjande lager så ingen smörjning krävs.

Miljö



Separat insamling. Produkten får inte kastas i hushållssoporna.

Tänk på miljön när du slänger denna Black & Decker-produkt. Släng den inte tillsammans med hushållsavfallet. Lämna produkten för separat insamling.



Insamling av uttjänta produkter och förpackningsmaterial gör att material kan återanvändas. Användning av återvunnet material minskar föroreningar av miljön och behovet av råmaterial.

Lokala föreskrifter kan kräva separat insamling av elprodukter från hushållen, vid kommunala samlingsplatser eller hos återförsäljaren när du köper en ny produkt.

Black & Decker samlar in och återvinner uttjänta Black & Decker-produkter. Om du vill utnyttja denna tjänst återlämnar du produkten till en auktoriserad verkstad, som samlar in den för vår räkning.

För information om närmaste auktoriserade verkstad, kontakta det lokala Black & Decker-kontoret på den adress som är angiven i bruksanvisningen. En lista över alla auktoriserade verkstäder samt servicevillkor finns även tillgänglig på Internet: www.2helpU.com.

Tekniska data

	GW3010
Spänning	VAC 230
Ineffekt	W 3000
Kapacitet	l 35
Vikt (blås)	kg 3,4
Vikt (sug)	kg 4,76

EC-förklaring om överensstämmelse

GW3010

Black & Decker intygar att dessa produkter överensstämmer med:

98/37/EC, 2006/95/EEC, 2000/14/EC, EN55014, EN55104, EN60335

Lövlås/upsamlare = 11m³/min, bilaga V

Det vägda geometriska medelvärdet av vibrationsfrekvensen enligt EN ISO 5329: 12m/s²

Bullernivå, uppmätt enligt 2000/14/EC:

Bullertryck (L_{pA}) 92 dB(A)

Akustisk effekt (L_{WA}) 105 dB(A)

Garanterad (L_{WA}) 107 dB(A)

Undertecknad är ansvarig för sammanställningen av tekniska data och gör denna försäkran för Black & Deckers räkning.

Kevin Hewitt

Director of Consumer Engineering
Spennymoor, County Durham DL16 6JG,
Storbritannien
08-08-2008

Design- och patentinformation

Europeiska patent: EP 0 723 758 B, EP 0 723 759 B och EP 1 430 825 B

Ansökningsnummer för europeiskt patent: EP 1 442 653 A
Designregistreringsnummer inom EG: 69750-0002, 69760-0003 och 712922-0001

Amerikanska patent: 5673457, 5604954 och 7266860

Ansökningsnummer för amerikanskt patent: 2005/0177973

Utformningsnummer för amerikanskt patent: D498885

Garanti

Black & Decker garanterar att produkten är fri från material- och/eller fabrikationsfel vid leverans till kund. Garantin gäller utöver konsumentens rättigheter enligt lag och påverkar inte dessa. Garantin gäller inom medlemsstaterna i Europeiska Unionen och i det Europeiska Frihandelsområdet.

Om en Black & Decker-produkt går sönder på grund av material- och/eller fabrikationsfel eller brister i överensstämmelse med specifikationen, inom 24 månader från köpet, åtar sig Black & Decker att reparera eller byta ut produkten med minsta besvär för kunden, förutom om:

- ◆ Produkten har använts i kommersiellt, yrkesmässigt eller uthyringssyfte.
- ◆ Produkten har utsatts för felaktig användning eller skötsel.
- ◆ Produkten har skadats av främmande föremål, ämnen eller genom olyckshändelse.
- ◆ Reparation har utförts av någon annan än en auktoriserad Black & Decker-verkstad.

För att utnyttja garantin skall produkten och inköpskvittot lämnas till återförsäljaren eller till en auktoriserad verkstad senast 2 månader efter det att felet har upptäckts. För information om närmaste auktoriserad verkstad, kontakta det lokala Black & Decker-kontoret på den adress som är angiven i bruksanvisningen. En lista på alla auktoriserade verkstäder samt servicevillkor finns även tillgängliga på Internet:

www.2helpU.com

Besök vår webbplats **www.blackanddecker.se** för att registrera din nya Black & Decker-produkt och för att få information om nya produkter och specialerbjudanden. Ytterligare information om märket Black & Decker och vårt produktsortiment återfinns på **www.blackanddecker.se**.

Bruksområde

Denne løvsamleren fra Black & Decker er konstruert for å fjerne løv. Verktøyet er bare beregnet som konsumentverktøy og bare til utendørs bruk.

Sikkerhetsinstrukser

Advarsel! Når du bruker apparater som drives med strøm fra nettet, må du alltid følge grunnleggende sikkerhetsforholdsregler, inkludert punktene som er beskrevet nedenfor, så du reduserer risikoen for brann, elektrisk støt og personskade.

- ◆ Les hele håndboken nøye før du bruker maskinen.
- ◆ Før du bruker maskinen, må du sørge for at du vet hvordan du slår den av i en nødsituasjon.
- ◆ Oppbevar håndboken for fremtidig referanse.

Opplæring

- ◆ Les disse instruksjonene grundig. Gjør deg kjent med betjeningen og riktig bruk av maskinen.
- ◆ Ikke la barn eller andre som ikke kjenner til disse instruksjonene, bruke maskinen. Lokale bestemmelser kan legge begrensninger på brukerens alder.
- ◆ Ikke bruk maskinen hvis det er personer, spesielt barn, eller dyr i nærheten.
- ◆ Husk at brukeren vil bli gjort ansvarlig for ulykker eller skader på personer eller deres eiendom.

Forberedelser

- ◆ Ikke bruk produktet når du har på åpne sandaler eller er barbert.
- ◆ Bruk alltid kraftige sko eller støvler og lange bukser for å beskytte føttene og beina – nyslått gress er fuktig og glatt. Fottøy av gummi eller lær vil øke sikkerheten din.
- ◆ Bruk verneutstyr. Benytt vernebriller når du bruker produktet.
- ◆ Vi anbefaler at du bruker en egnet ansiktsmaske for å hindre støvrritasjon.
- ◆ Bruk hørselvern når lydnivået virker ubehagelig når du bruker produktet.

Advarsel! Sikre langt hår så det er over skulderhøyde. Hold løsthengende plagg, bånd, dusker og hengende stropper unna åpninger og bevegelige deler.

- ◆ Strømledningen skal kontrolleres regelmessig for tegn på skade eller aldring, og den skal bare brukes hvis den er i god stand.
- ◆ Forsikre deg alltid om at produktet er i sikker driftsmessig stand, og at alle deler er sikre før bruk.
- ◆ Ikke bruk produktet hvis det har defekte eller slitte deler.
- ◆ Ikke ta opp brennende materialer som tente sigarettstumper.

- ◆ Ikke bruk blåsing/sug i gassholdig eller eksplosiv atmosfære, siden motorer i disse verktøyene vanligvis danner gnister, og disse kan antenne gasser.

Bruk

- ◆ Skal ikke brukes i sugemodus uten at sugerør og oppsamlingspose er montert.
- ◆ Slå alltid av produktet, la viffen stoppe og ta ut støpselet ut av kontakten:
 - du bytter fra blåsing til suging.
 - strømledningen er blitt skadet eller sitter fast.
 - du forlater produktet uten tilsyn.
 - du fjerner en blokkering.
 - du kontrollerer, justerer, rengjør eller arbeider på produktet.
 - verktøyet begynner å vibrere unormalt.
- ◆ Ikke plasser inntaket eller uttaket for verktøyet i nærheten av øyne eller ører når det er i bruk. Blås aldri avfall mot personer som står i nærheten.
- ◆ Må ikke brukes i regnvær, og må heller ikke settes igjen ute mens det regner.
- ◆ Bruk produktet bare i dagslys eller godt kunstig lys.
- ◆ Ikke kryss grusganger eller -veier mens produktet er slått på i blåse/suge-modus. Gå, løp aldri.
- ◆ Ikke sett enheten ned på grus når den er slått på.
- ◆ Pass på at du alltid har godt fotfeste, særlig i skråninger. Ikke strekk deg for langt, og pass på balansen hele tiden.
- ◆ Ikke sug opp ting som kan være forurenset av brennbare eller lett antennelige væsker, for eksempel bensin, og ikke bruk verktøyet i områder der slike kan forekomme.
- ◆ Ikke plasser noen gjenstander i åpningene. Bruk aldri verktøyet hvis åpningene er blokkert. Hold dem frie for hår, lo, støv og alt som kan redusere luftstrømmen.

Advarsel! Bruk alltid produktet på den måten som er forklart i denne håndboken. Produktet er konstruert for å bli brukt i loddrett stilling, og hvis det brukes på annen måte, kan det føre til skade. Kjør aldri produktet mens det ligger på siden eller er opp-ned.

- ◆ Du må ikke bære verktøyet i kabelen.
- ◆ Før alltid kabelen bakover og bort fra verktøyet.

Advarsel! Hvis en ledning blir skadet under bruk, må du øyeblikkelig koble verktøyet fra strømmettet. **Ikke ta på strømledningen før den er koblet fra stikkkontakten.**

Vedlikehold og oppbevaring

- ◆ Kontroller at apparatet ikke er skadet eller har defekte deler før du bruker det. Ikke bruk maskinen med defekte vern eller skjold eller uten at sikkerhetsinnretninger, for eksempel oppsamlingsenheten, er på plass. Kontroller at bevegelige deler ikke er ute av posisjon og ikke klemmes fast, at deler ikke er brukket eller skadet, at vern eller brytere er ikke skadet, og at det ikke er andre forhold som kan virke inn på funksjonen.
- ◆ Forsikre deg om at verktøyet fungerer riktig og utfører sin tiltenkte funksjon. Bruk aldri verktøyet hvis noe vern eller noe deksel er skadet eller ute av posisjon.
- ◆ Ikke bruk verktøyet hvis det har skadde eller defekte deler. Ikke bruk verktøyet hvis bryteren ikke slår det på og av.
- ◆ Overlat reparasjon eller utskifting av skadde eller defekte deler til et autorisert serviceverksted.
- ◆ Kontroller ofte at kabelen ikke er skadet. Hvis kabelen er skadet, må den skiftes hos en autorisert Black & Decker-reparatør så man unngår fare. Undersøk skjøteledninger regelmessig. Skift ut skjøteledningen straks hvis den er skadet.
- ◆ Ikke bruk løsemidler eller rengjøringsvæsker for å rengjøre produktet. Bruk en sløv skrape til å fjerne gress og smuss.
- ◆ Kontroller oppsamlingsposen ofte for slitasje eller misforming.
- ◆ Når maskinen ikke er i bruk, skal den oppbevares på et tørt sted. Barn skal ikke ha tilgang til maskiner som ikke er i bruk.
- ◆ Du får kjøpt reservevifter hos Black & Decker-serviceverkstedet. Bruk bare reservedeler og tilbehør som anbefales av Black & Decker.

Ekstra sikkerhetsinstruksjoner for løvsamlere

- ◆ Det er ikke meningen at dette apparatet skal brukes av personer (inkludert barn) med reduserte fysiske, sansemessige eller mentale evner, eller som mangler erfaring og kunnskap, med mindre de har fått oppfølging eller instruksjon når det gjelder bruken av apparatet, fra en person som er ansvarlig for deres sikkerhet.
- ◆ Barn skal være under oppsyn så det sikres at de ikke leker med apparatet.
- ◆ Hvis strømledningen blir skadet, må den skiftes av produsenten eller et autorisert Black & Decker-servicesenter for å unngå fare.

Symboler



Les håndboken før bruk.



Må ikke brukes i regnvær, og må heller ikke settes igjen ute mens det regner.



Slå av: Trekk støpset ut av nettkontakten før rengjøring og vedlikehold.



Benytt vernebriller og hørselvern når du bruker dette verktøyet.



Hold andre personer unna.

Elektrisk sikkerhet



Dette apparatet er dobbeltisolert. Jording er derfor ikke nødvendig. Kontroller at spenningen er i overensstemmelse med spenningen på typeskiltet.

- ◆ Hvis strømledningen blir skadet, må den skiftes av produsenten eller et autorisert Black & Decker-servicesenter så man unngår fare.
- ◆ Strømsikkerheten kan forbedres ytterligere ved bruk av jordfeilbryter på 30 mA med høy følsomhet (RCD).

Skjøteledninger

- ◆ Når du bruker utstyret utendørs, må du bare bruke værbestandige skjøteledninger utstyrt med kontakter i henhold til IEC 603320-2-3.
- ◆ Inntil 25 m Black & Decker 1,5 mm HO5WF skjøteledning med tre kjerner kan benyttes uten tap av effekt.
- ◆ Hvis strømledningen blir skadet, må den skiftes av produsenten eller et autorisert Black & Decker-servicesenter for å unngå fare.

Funksjoner

1. Bærestropp
2. Kontrollknapp for hastighet
3. Strømbryter
4. Håndtak for oppsamlingspose
5. Oppsamlingspose
6. Blåsemusling
7. Blåserør
8. Skrape
9. Sugerør – nedre del
10. Sugerør – øvre del
11. Låsering
12. Utløserknapp
13. Motorenhet

Montering

Advarsel! Før monteringen må du passe på at maskinen er slått av, og at kontakten er trukket ut.

Montering av sugerør (figur A)

Sugerørene må settes sammen før bruk.

Advarsel! Ikke bruk apparatet med sugerørene skilt fra hverandre.

- ◆ Bruk såpevann på skjøtedelen for å lette monteringen.
- ◆ Plasser hakkene (15) og trekantene (14) på øvre (10) og nedre (9) del av sugerøret i forhold til hverandre.
- ◆ Skyv nedre del (9) av sugerøret fast inn i øver del (10) av sugerøret til trekantene klikker på plass.

Advarsel! Ikke skill rørene når de er satt sammen.

Montering av blåserør (figur B)

Blåserøret må monteres til blåsemuslingen før bruk.

- ◆ Plasser sirkelene på (16) på blåsemuslingen (6) og blåserøret (7) i forhold til hverandre.
- ◆ Skyv blåserøret (7) fast på blåsemuslingen (6) til sirkelene klikker på plass.

Advarsel! Ikke skill rørene når de er satt sammen.

Montering av bærestroppen (figur C–D)

Sett bærestroppen (1) på verktøyet, og juster den så den passer til brukeren.

- ◆ Fest kroken (17) i ringen (18).
- ◆ Juster lengden på løkken med spennen (19).

Bruk

Start og stopp (figur E)

Advarsel! Bruk begge hender og hold produktet fast når du slår det på.

- ◆ Når du skal slå apparatet på, skyver du på/av-bryteren (3) fremover.
- ◆ Når du skal slå apparatet av, skyver du på/av-bryteren (3) tilbake.

Kontroll for to hastigheter (figur E)

- ◆ For ekstra kontroll er løvsamleren utstyrt med en hastighetskontrollknapp (2) på håndtaket på motorenheten.
- ◆ Still kontrollknappen for hastighet (2) til ønsket hastighetsområde. Stilling I for lav hastighet, stilling II for høy hastighet.

Kabelfeste (figur F)

- ◆ Det er integrert et kabelfeste (21) bak på motorenheten.
- ◆ Legg kabelaen (20) i en løkke gjennomkabelfestet (21).

Bruke produktet (figur G)

Advarsel! Benytt alltid vernebriller når du bruker verktøyet til å blåse eller sugе. Hvis det er støv der det brukes, benytter du også en maske med filter.

Advarsel! Slå av produktet, la viften stoppe og ta ut kontakten av støpselet før du utfører justering, behandling eller vedlikehold.

Blåsemodus (figur G, H og I)

Merknad: Pass på at låseringen er i ulåst stilling (figur I).

- ◆ Fest blåsemuslingen (6) og røret (7) til motorenheten (13) (figur G) ved å plassere blåseren som angitt med pilen. Drei så rundt dette punktet, og trykk lås/utløserenheten (12) til låsen (22) er fullstendig låst.
- ◆ Drei låseringen (11) med klokken til låst stilling.
- ◆ Hold blåserøret ca. 180 mm over bakken, slå på apparatet, og benytt en feiende bevegelse fra side til side. Beveg deg langsomt fremover, og hold oppsamlet rusk/løv foran deg (figur H).
- ◆ Når du har blåst rusk/blader i en haug, kan du stille om til sugemodus for å samle opp avfallet.

Fjerne blåse/suge-røret (figur I)

- ◆ Når du skal koble blåsemuslingen (6) eller sugerøret (10) fra motorenheten (13), vrir du låseringen (11) mot klokken til åpen stilling. Deretter trykker du på utløserknappen (12) og passer på at røret ikke faller på bakken.
- ◆ Utløserknappen (12) virker ikke hvis låseringen (11) er i låst stilling.

Sugemodus (figur J–N)

Sett posemontasjen på løvsamleren (figur J, K, L)

- ◆ Ved suging/kutting må oppsamlingsposen (5) være montert.
- ◆ Plasser kanten av posen (23) i poseholderkanalen (25), og pass på at fremsiden av posen er plassert over sugeutttaket (24) (figur J).
- ◆ Skyv posen helt inn i kanalen, og trykk på låsen (26) for å låse håndtaket i toppen av posen (figur K og L).
- ◆ Plasser røret litt over avfallet/løvet. Slå løvsamleren på, og bruk en feiende bevegelse. Avfall/løv vil bli sugd opp, kuttet og kastet i oppsamlingsposen (figur M).
- ◆ Det er integrert en skrape (8) i sugerøret til bruk på vanskelig avfall/løv. Bruk skrapen til å løse avfallet, og fortsett å sugе som vanlig.
- ◆ Etter hvert som posen fylles, vil vakuemet i sugingen avta. Skru av støvsamleren, og trekk ut støpselet av kontakten.
- ◆ Når du skal ta av posen, trykker du på låsen (26) for å løse posen fra poseholderen og skyve ut posen.

- ◆ Når du skal tømme den, holder du i plasthåndtaket (4) på posen og griper nylonhåndtaket (27) på undersiden av posen. Snu posen opp-ned, og rist ut alt avfall og løv.

Problemløsning

Virker ikke	1	Kontroller tilkoblingen til strømkilden
	2	Kontroller sikringen i støpselet. Hvis den er gått, bytter du den (Bare Storbritannia)
	3	Kontroller at montasjen av blåse/suge-rør er korrekt montert på motorenheten
	4	Hvis sikringen fortsetter å gå, kobler du straks fra strømmettet og tar kontakt med ditt lokale autoriserte Black & Decker-serviceverksted.
	5	Kontroller stillingen til låseringen.
Dårlig sug / hvinende høy lyd	1	Skrud av og koble fra strømmettet. Avfall skal falle unna røret.
	2	Ta av og tøm oppsamlingsposen.
	3	Kontroller at både inntak og uttak på sugerøret er åpne.
	4	Fjern eventuelt avfall fra vifteområdet.
	5	Hvis verktøyet fortsetter å suges dårlig, kobler du straks fra strømmettet og tar kontakt med et autoriserte Black & Decker-serviceverksted.
Dårlig kutting	1	Skrud av og koble fra strømmettet. Ta av oppsamlingsposen.
	2	Ta av sugerøret, og kontroller viften.
	3	Fjern eventuelt avfall fra viftebladene.
	4	Hvis viften får sprekker eller blir skadet, må du slutte å bruke den. Ta kontakt med et autorisert Black & Decker-serviceverksted.

- ◆ Maskinen rengjøres bare med mild såpe og en fuktig klut. La det aldri sive væske inn i maskinen, og senk aldri noen deler av maskinen ned i væske. Ikke bruk slipende eller løsemiddelbaserte rengjøringsmidler.
- ◆ Det er benyttet selvsmerende lagre i produktet, og derfor trenger det ingen smøring.

Miljø



Separat fjerning. Dette produktet må ikke kastes sammen med husholdningsavfall.

Når Black & Decker-produktet er utslitt, skal det ikke kastes som husholdningsavfall. Dette produktet må kastes separat.



Hvis brukte produkter og emballasje leveres atskilt, kan materialer resirkuleres og brukes på nytt. Resirkulering av brukte produkter gir redusert miljøforurensing og mindre behov for råmaterialer.

Det kan være lokale bestemmelser for egen innsamling av elektriske produkter fra husstander, på kommunale avfallsplasser eller hos forhandleren når du kjøper et nytt produkt.

Black & Decker tar i mot brukte Black & Decker-produkter for resirkulering. Du kan levere produktet til et autorisert serviceverksted.

For informasjon om nærmeste autoriserte serviceverksted, kontakt ditt lokale Black & Decker-kontor på den adressen som er angitt i bruksanvisningen. Det finnes også en liste over autoriserte Black & Decker-serviceverksteder og opplysninger om ettersalgsservice og kontakter på Internett: www.2helpU.com.

Tekniske data

	GW3010
Spenning	V AC 230
Inn-effekt	W 3000
Kapasitet	l 35
Vekt (med blåsing)	kg 3,4
Vekt (med suging)	kg 4,76

Vedlikehold

Black & Decker-maskinen din er konstruert for å være i drift over lengre tid med et minimum av vedlikehold. Den er avhengig av godt vedlikehold og regelmessig rengjøring for å fungere som den skal til enhver tid.

- ◆ Hold maskinen ren og tørr.
- ◆ Fjern eventuelle blader som sitter fast inni sugerøret.
- ◆ Rengjør jevnlig ventilasjonssporene med en ren, tørr malerkost.

Samsvarserklæring for EU

GW3010

Black & Decker erklærer at disse produktene er i samsvar med:

98/37/EF, 2006/95/EØF, 2000/14/EF, EN55014, EN55104, EN60335

Løvbåser-/oppsamler = 11 m³/min, vedlegg V

Hånd/arm-vektet vibrasjonsverdi i samsvar med:
EN ISO 5329: 12 m/s²

Lydnivået, målt i henhold til 2000/14/EF:

Lydtrykk (L_{pA}) 92 dB(A)

Akustisk effekt (L_{WA}) 105 dB(A)

Garantert (L_{WA}) 107 dB(A)

Undertegnede er ansvarlig for utarbeidelsen av den tekniske dokumentasjonen og gir denne erklæringen på vegne av Black & Decker.



Kevin Hewitt
Direktør for forbrukerteknikk
Spennymoor, County Durham DL16 6JG,
Storbritannia
8.8.2008

- ◆ produktet har vært brukt i yrkes-/næringsvirksomhet eller til utleie.
- ◆ produktet har vært utsatt for feilaktig bruk eller mislighold.
- ◆ produktet har blitt skadet av fremmede gjenstander eller stoffer eller ved et uhell.
- ◆ reparasjoner er forsøkt utført av andre enn autoriserte serviceverksteder eller Black & Deckers serviceteknikere.

For å ta garantien i bruk skal produktet og kjøpekvittring leveres til forhandleren eller til et autorisert serviceverksted. For informasjon om nærmeste autoriserte serviceverksted, kontakt ditt lokale Black & Decker-kontor på den adressen som er angitt i bruksanvisningen. En oversikt over autoriserte serviceverksteder og opplysninger om ettersalgsservice og kontakter er også tilgjengelig på Internett:

www.2helpU.com

Besøk vårt webområde **www.blackanddecker.no** for å registrere ditt nye Black & Decker-produkt og for å holde deg oppdatert om nye produkter og spesialtilbud. Du finner mer informasjon om Black & Decker og produktutvalget vårt på **www.blackanddecker.no**.

Konstruksjons- og patentinformasjon

Europeiske patentnumre: EP 0 723 758 B, EP 0 723 759 B og EP 1 430 825 B

Europeisk patentsøknadsnummer: EP 1 442 653 A

Konstruksjonsregistreringsnumre (EF): 69750-0002, 69760-0003 og 712922-0001

Patentnumre i USA: 5673457, 5604954 og 7266860

Patentsøknadsnummer i USA: 2005/0177973

Konstruksjonspatentnummer i USA: D498885

Garanti

Black & Decker er trygg på kvaliteten til sine produkter og tilbyr en enestående garanti. Denne garantierklæringen kommer i tillegg til dine lovbestemte rettigheter, og er ikke i konflikt med disse. Garantien er gyldig i EU- og EFTA-medlemsstatene.

Hvis et Black & Decker-produkt går i stykker på grunn av material- og/eller fabrikkasjonsfeil eller har mangler i forhold til spesifikasjonene, innen 24 måneder fra kjøpet, påtar Black & Decker seg å skifte ut defekte deler, reparere produkter som har vært utsatt for alminnelig slitasje, eller bytte ut slike produkter med minst mulig vanskelighet for kunden, med mindre:

Anvendelsesområde

Din Black & Decker løvsuger er designet til at fjerne blade. Værktøjet er kun beregnet til privat og udendørs brug.

Sikkerhedsvejledninger

Advarsel! Ved brug af apparater, der får strøm fra forsyningsnettet, er det vigtigt, at grundlæggende sikkerhedsforholdsregler, herunder bl.a. nedenstående, altid følges for at mindske risikoen for brand, elektrisk stød og personskade.

- ◆ Læs hele denne vejledning omhyggeligt, før apparatet betjenes.
- ◆ Sæt dig ind i, hvordan apparatet slukkes i tilfælde af en nødsituation, inden du betjener det.
- ◆ Opbevar denne vejledning til fremtidig brug.

Oplæring

- ◆ Læs vejledningen omhyggeligt. Sæt dig ind i betjeningsknapperne og korrekt brug af apparatet.
- ◆ Lad ikke børn eller personer, der ikke har læst disse instruktioner, betjene apparatet. Lokale regler kan diktere, at brugeren skal have en vis alder.
- ◆ Brug aldrig apparatet, mens der er andre i nærheden, især børn eller kæledyr.
- ◆ Husk, at brugeren er ansvarlig for ulykker eller risici, som andre eller andres ejendom udsættes for.

Klargøring

- ◆ Betjen ikke produktet med bare fødder eller åbne sandaler.
- ◆ Brug altid kraftige sko eller støvler og lange bukser til beskyttelse af fødder og ben - nyklippet græs er fugtigt og glat. Din sikkerhed forøges med fodtøj af gummi eller kunststof.
- ◆ Brug beskyttelsesudstyr. Bær beskyttelses- eller sikkerhedsbriller, når du betjener dette produkt.
- ◆ Det anbefales at bruge ansigtsmaske som beskyttelse mod støv iritation.
- ◆ Brug høreværn, hvis lydniveauet er ubehageligt, når du bruger produktet.

Advarsel! Bind langt hår op til over skulderlængde. Hold løstsiddende tøj, slips, kvaster og hængende stropper væk fra åbninger og bevægelige dele.

- ◆ Strømforsyningsledningen skal jævnligt undersøges for tegn på beskadigelse eller ældning og må kun anvendes, hvis den er i orden.
- ◆ Kontroller altid, at produktet er sikkert at arbejde med, og at alle dele sidder fast før brug.
- ◆ Brug ikke produktet, hvis nogen af dets dele er beskadigede eller slidte.
- ◆ Opsaml ikke brændende materialer såsom brændende cigaretskoder.

- ◆ Brug ikke løvblæseren/-sugeren i gasholdige eller eksplosive atmosfærer, da motorene i disse værktøjer normalt danner gnister, som kan antænde dampe.

Betjening

- ◆ Brug ikke løvsugerfunktionen uden påmonteret sugerør og opsamlingspose.
- ◆ Sluk altid produktet, lad blæseren stoppe, og tag stikket ud af kontakten:
 - Når du skifter fra blæsning til sugning.
 - Hvis strømledningen er filtret sammen.
 - Når du efterlader produktet uden opsyn.
 - Når du fjerner en blokering.
 - Når du kontrollerer, justerer, rengør eller arbejder på produktet.
 - Hvis produktet begynder at vibrere unormalt.
- ◆ Hold ikke indsugning eller udblæsning i nærheden af øjne eller ører under arbejdet. Blæs aldrig materiale mod omkringstående.
- ◆ Brug ikke produktet i regnvej, og lad det ikke ligge ude i regnvej.
- ◆ Brug kun produktet i dagslys eller ved god kunstig belysning.
- ◆ Passér ikke grusstier eller veje, mens produktet er tændt og suger/blæser. Gå, løb ikke.
- ◆ Sæt ikke produktet ned på grus, mens der er tændt for det.
- ◆ Sørg altid for godt fodfæste, især på skråninger. Stræk dig ikke for langt, og sørg hele tiden for at være i balance.
- ◆ Opsaml ikke materiale, der kan være forurenede af letantændelige eller brændbare væsker såsom benzin, og brug ikke produktet i områder, hvor sådanne stoffer kan forekomme.
- ◆ Stik ikke genstande ind i åbningerne. Brug aldrig produktet, hvis åbningerne er blokeret - hold dem fri for hår, fnug, støv og andet, der kan reducere luftstrømmen.

Advarsel! Brug altid produktet som beskrevet i vejledningen. Produktet er designet til brug i opretstående stilling; hvis det bruges på anden måde, kan det forårsage tilskadekomst. Lad aldrig produktet køre, mens det ligger på siden eller står på hovedet.

- ◆ Bær ikke produktet i ledningen.
- ◆ Før altid ledningen bagved og væk fra produktet.

Advarsel! Hvis ledningen bliver beskadiget under brug, skal du omgående tage den ud af stikkontakten. **Rør ikke ved ledningen, før du har taget den ud af stikkontakten.**

Vedligeholdelse og rengøring

- ◆ Før brug skal produktet kontrolleres for beskadigede eller defekte dele. Betjen aldrig produktet med defekte beskyttelsesanordninger eller afskærmninger, eller uden at sikkerhedsanordninger som f.eks. opsamlere er på plads. Kontroller, at de bevægelige dele ikke har sat sig fast, kontroller for skævheder, brud, skader på beskyttelsesanordninger og kontakter samt andet, som kan påvirke produktets funktion.
- ◆ Kontroller, at produktet fungerer korrekt og udfører den tilsigtede funktion. Brug aldrig produktet, hvis en af beskyttelsesanordningerne eller afskærmningerne er beskadiget eller ikke er på plads.
- ◆ Brug ikke produktet, hvis nogen del af det er beskadiget eller defekt. Brug ikke produktet, hvis afbryderen er defekt.
- ◆ Få beskadigede eller defekte dele repareret eller udskiftet på et autoriseret værksted.
- ◆ Kontroller hyppigt netledningen for beskadigelse. Hvis netledningen er beskadiget, skal den udskiftes af et autoriseret reparationsværksted, så farlige situationer undgås. Undersøg forlængerledninger regelmæssigt. Udskift straks en forlængerledning, hvis den er beskadiget.
- ◆ Brug ikke opløsningsmidler eller rensesvæsker til rengøring af produktet - brug en stump skraber til fjernelse af græs og snavs.
- ◆ Kontroller jævnligt opsamlingsposen for slid og forringelse.
- ◆ Når apparatet ikke er i brug, skal det opbevares på et tørt sted. Børn må ikke have adgang til opbevarede apparater.
- ◆ Udskiftningsblæsere kan købes på et Black & Decker-værksted. Brug kun reservedele og tilbehør, der anbefales af Black & Decker.

Yderligere sikkerhedsvejledninger for løvsugere

- ◆ Dette apparat er ikke beregnet til at blive brugt af personer (herunder børn) med nedsatte fysiske, sensoriske eller mentale evner eller manglende erfaring og viden, med mindre det sker under overvågning, eller der gives instruktion i brugen af apparatet af en person, der er ansvarlig for deres sikkerhed.
- ◆ Børn skal holdes under opsyn, så det sikres, at de ikke leger med værktøjet.
- ◆ Hvis netledningen beskadiges, skal den udskiftes af producenten eller et autoriseret Black & Decker-værksted, så farlige situationer undgås.

Symboler



Læs vejledningen inden brug.



Brug ikke produktet i regnvejr, og lad det ikke ligge ude i regnvejr.



Sluk: Tag stikket ud af stikkontakten før rengøring eller vedligeholdelse.



Bær beskyttelses- eller sikkerhedsbriller og høreværn, når du bruger dette værktøj.



Hold andre personer på afstand.

Elektricitet og sikkerhed



Denne maskine er dobbelt isoleret. Derfor er en jordledning ikke nødvendig. Kontroller altid, at strømforsyningen svarer til spændingen på typeskiltet.

- ◆ Hvis netledningen beskadiges, skal den udskiftes af producenten eller et autoriseret Black & Decker-værksted, så farlige situationer undgås.
- ◆ Den elektriske sikkerhed kan forbedres yderligere ved brug af en højfølsom 30 mA fejlstrømsafbryder (RCD).

Forlængerledninger

- ◆ Når apparatet bruges udendørs, brug da kun vejrbeskyttede forlængerledninger med muffe, der opfylder IEC 603320-2-3.
- ◆ Der kan bruges et 1,5 mm HO5WF 3-lederforlængerkabel fra Black & Decker på op til 25 m uden effekttab.
- ◆ Hvis netledningen beskadiges, skal den udskiftes af producenten eller et autoriseret Black & Decker-værksted, så farlige situationer undgås.

Funktioner

1. Bærestrop
2. Knap til styring af hastigheden
3. Afbryder
4. Håndtag til opsamlingspose.
5. Opsamlingspose.
6. Blæsegrab
7. Blæserør
8. Skraber
9. Nederste sugerør
10. Øverste sugerør
11. Låsering
12. Udløserknap
13. Motordel

Montering

Advarsel! Før montering skal det sikres, at apparatet er slukket og taget ud af stikkontakten.

Samling af sugerøret (fig. A)

Sugerørene skal samles før brug.

Advarsel! Brug aldrig produktet med adskilte sugerør.

- ◆ Kom lidt sæbevand på samleområdet for at lette samlingen.
- ◆ Sæt hakkene (15) og trekantene (14) på det øverste (10) og det nederste (9) sugerør ud for hinanden.
- ◆ Skub det nederste sugerør (9) fast ind i det øverste sugerør (10), til trekantene klikker på plads.

Advarsel! Adskil ikke rørene, når de først er samlet.

Samling af blæserøret (fig. B)

Blæserøret skal sættes sammen med blæsegrabben før brug.

- ◆ Sæt cirklerne (16) på blæsegrabben (6) og blæserøret ud for hinanden (7).
- ◆ Skub sugerøret (7) fast på blæsegrabben (6), til cirklerne klikker på plads.

Advarsel! Adskil ikke rørene, når de først er samlet.

Montering af bærestrop (fig. C - D)

Monter bærestroppen (1) på produktet, og juster den, så den passer til brugeren.

- ◆ Sæt kroen (17) gennem øjet (18).
- ◆ Juster længden af løkken med spændet (19).

Anvendelse

Sådan tændes og slukkes der (fig. E)

Advarsel! Hold godt fast i produktet med begge hænder, når du starter det.

- ◆ Tænd produktet ved at skubbe afbryderen (3) fremad.
- ◆ Sluk produktet ved at skubbe afbryderen (3) tilbage.

Indstilling med 2 hastigheder (fig. E)

- ◆ Løvsugeren har en knap til styring af hastigheden (2) på håndtaget på motordelen til ekstra styring.
- ◆ Sæt knappen til hastighedskontrol (2) på det ønskede hastighedsområde. Position I for lav hastighed, position II for høj hastighed.

Ledningsholder (fig. F)

- ◆ Bag på motordelen sidder en ledningsholder (21).
- ◆ Før ledningen (20) gennem ledningsholderen (21).

Sådan bruges produktet (fig. G)

Advarsel! Bær altid sikkerhedsbriller, når du bruger løvsugeren. Bær også en filtermaske under støvede forhold.

Advarsel! Sluk produktet, lad blæseren stoppe, og tag stikket ud af kontakten, før du foretager justeringer, service eller vedligeholdelse.

Blæsefunktion (fig. G, H og I)

Bemærk: Kontroller, at låseringen er i ulåst position (fig. I).

- ◆ Monter blæsegrabben (6) og røret (7) på motordelen (13) (fig. G) ved at sætte blæseren som vist med pilen og derefter dreje omkring dette punkt og trykke på låse-/frigørelsespalen (12), til palen (22) er i fuldt indgreb.
- ◆ Drej låseringen (11) med uret til låst stilling.
- ◆ Hold blæserøret ca. 180 mm over jorden, tænd produktet og gå langsomt fremad med en fejende bevægelse fra side til side med ophobet affald/blade foran dig (fig. H).
- ◆ Når affald/blade er blæst sammen i en dyng, kan du skifte til sugning og opsamle affaldet.

Afmontering af blæse-/sugerøret (fig. I)

- ◆ For at afmontere blæsegrabben (6) og sugerøret (10) fra motordelen (13) skal du dreje låseringen (11) mod uret til ulåst position og derefter trykke på frigørelsesknappen (12); pas på, at røret ikke falder ned på jorden.
- ◆ Frigørelsesknappen (12) virker ikke, hvis låseringen (11) er i låst position.

Sugefunktion (fig. J - N)

Monter posen på løvsugeren (fig. J, K, L)

- ◆ Ved sugning/kompostering skal opsamlingsposen (5) være monteret.
- ◆ Anbring posens kant (23) i poseholderkanalen (25); den forreste del af posen skal placeres over sugeudgangen (24) (fig. J).
- ◆ Skub posen helt ind i kanalen, og tryk på palen (26) for at låse håndtaget ind i posens top (fig. K og L).
- ◆ Hold røret lidt over affaldet/bladene. Tænd for løvsugeren, og brug en fejende bevægelse; affaldet/bladene suges op gennem røret, komposteres og føres til opsamlingsposen (fig. M).
- ◆ Sugerrøret er udstyret med en skraber (8) til genstridigt affald/blade. Brug skraberens til at løsne affaldet, og fortsæt sugningen som normalt.
- ◆ Efterhånden som posen fyldes, reduceres sugeeffekten. Sluk for løvsugeren, og tag ledningen ud af stikkontakten.
- ◆ Tryk på palen (26) for at fjerne posen fra poseholderen og trække posen ud.
- ◆ Tøm posen ved at holde i håndtaget (4) på plastikopsamlingsposen og nylonhåndtaget (27) på posens underside. Vend posen på hovedet, og ryst affald og blade ud.

Fejlfinding

Kan ikke starte	1	Kontroller tilslutningen til strømforsyningen.
	2	Kontroller sikringen i stikket, og udskift den, hvis den er gået (kun Storbritannien).
	3	Kontroller, at blæse-/sugerøret er monteret korrekt på motordelen.
	4	Hvis sikringen bliver ved med at gå, skal du omgående tage ledningen ud af kontakten og kontakte det lokale autoriserede Black & Decker-værksted.
	5	Kontroller låseringens position.
Ringe sugeseffekt/høj hylelyd	1	Sluk - tag ledningen ud af kontakten, affaldet skal falde ud af røret.
	2	Fjern og tøm opsamlingsposen.
	3	Kontroller at både indsugnings- og udblæsningsporte på sugerøret er fri for blokeringer.
	4	Fjern eventuelt affald fra blæserområdet.
	5	Hvis sugeseffekten stadig er ringe, skal du omgående tage ledningen ud af kontakten og kontakte det lokale autoriserede Black & Decker-værksted.
Dårlig kompostering	1	Sluk - tag ledningen ud af kontakten, og fjern opsamlingsposen.
	2	Afmonter sugerøret, og inspicer blæseren.
	3	Fjern eventuelt affald fra blæserens blade.
	4	Hvis blæseren er revnet eller beskadiget, må den ikke bruges; kontakt det lokale autoriserede Black & Decker-værksted.

Vedligeholdelse

Dit Black & Decker-værktøj er beregnet til at fungere i lang tid med et minimum af vedligeholdelse. Forsat tilfredsstillende drift afhænger af korrekt behandling af apparatet samt regelmæssig rengøring.

- ◆ Hold apparatet rent og tørt.
- ◆ Fjern blade, der måtte sidde fast på indersiden af sugerøret.
- ◆ Rengør regelmæssigt ventilationsåbningerne med en ren, tør pensel.

- ◆ Brug kun et mildt rengøringsmiddel og en fugtig klud til rengøring af apparatet. Lad aldrig væske trænge ind i værktøjet, og nedsænk aldrig nogen del af værktøjet i væske. Der må ikke bruges skuremidler eller opløsningsmidler.
- ◆ Der anvendes selvsmlørende lejer i produktet, hvorfor smøring ikke er nødvendig.

Miljø



Separat bortskaffelse. Dette produkt må ikke bortskaffes sammen med almindeligt husholdningsaffald.

Når dit Black & Decker-produkt en dag er udtjent, eller du ikke længere har brug for det, må du ikke smide det ud sammen med det almindelige affald. Produktet skal bortskaffes separat.



Ved separat bortskaffelse af brugte produkter og emballage bliver der mulighed for at genanvende forskellige materialer. Genanvendelse af materialer medvirker til at forebygge miljøforurening og mindsker behovet for råstoffer.

Lokal lovgivning kan kræve separat indsamling af elektriske husholdningsapparater på kommunale affaldsdepoter eller af den detailhandlende ved køb af et nyt produkt.

Black & Decker sørger for at indsamle og genanvende Black & Decker-produkter, når disse ikke længere kan bruges.

Hvis du vil benytte dig af denne service, skal du returnere produktet til et autoriseret værksted, der indsamler produkterne for os.

Kontakt det lokale Black & Decker-kontor på den adresse, der er angivet i denne vejledning, for at få oplysninger om det nærmeste autoriserede værksted. En liste over alle autoriserede Black & Decker-serviceværksteder samt servicevilkår og kontaktpersoner er tilgængelig på internettet på adressen: www.2helpU.com.

Tekniske data

	GW3010
Spænding	VAC 230
Motoreffekt	W 3000
Kapacitet	l 35
Vægt (blæser)	kg 3,4
Vægt (suger)	kg 4,76

EU overensstemmelseserklæring

GW3010

Black & Decker erklærer, at disse produkter er i overensstemmelse med:

98/37/EF, 2006/95/EØF, 2000/14/EF, EN55014, EN55104, EN60335

Løvbleser-/suger = 11m³/min, Annex V

Den vægtede geometriske middelværdi af accelerationsfrekvensen i henhold til EN ISO 5329: 12m/s²

Lydniveaueet målt i henhold til 2000/14/EF:

Lydtryk (L_{pA}) 92 dB(A)

Akustisk effekt (L_{WA}) 105 dB(A)

Garanteret (L_{WA}) 107 dB(A)

Undertegnede er ansvarlig for udarbejdelsen af de tekniske data og fremsætter denne erklæring på vegne af Black & Decker



Kevin Hewitt

Director of Consumer Engineering
Spennymoor, County Durham DL16 6JG,
Storbritannien
08-08-2008

Design- og patentoplysninger

Europæiske patentnumre: EP 0 723 758 B, EP 0 723 759 B og EP 1 430 825 B

Europæisk patentansøgningsnummer: EP 1 442 653 A

EU-designregistreringsnumre: 69750-0002, 69760-0003 og 712922-0001

Amerikanske patentnumre: 5673457, 5604954 og 7266860

Amerikansk patentansøgningsnummer: 2005/0177973

Amerikansk designpatentnummer: D498885

Garanti

Black & Decker garanterer, at produktet er fri for materielle skader og/eller fabrikationsfejl ved levering til kunden. Garantien er et tillæg til forbrugers lovsikrede rettigheder og påvirker ikke disse. Garantien gælder inden for medlemsstaterne af Den Europæiske Union og i Det Europæiske Frihandelsområde.

Hvis et Black & Decker-produkt går i stykker på grund af materiel skade og/eller fabrikationsfejl eller på anden måde ikke fungerer i overensstemmelse med specifikationen inden for 24 måneder fra købsdatoen, påtager Black & Decker sig at reparere eller ombytte produktet med mindst mulig ulempe for kunden. Garantien gælder ikke for fejl og mangler, der er sket i forbindelse med:

- ◆ Produktet har været anvendt erhvervsmæssigt eller til udlejning.
- ◆ Produktet har været anvendt forkert eller er ikke vedligeholdt.
- ◆ Produktet er beskadiget af fremmedlegemer, substanser eller pga. uheld.
- ◆ Garantien gælder ikke, hvis reparationer er udført af andre end et autoriseret Black & Decker-værksted.

For at udnytte garantien skal produktet og købskvitteringen indleveres til forhandleren eller til et autoriseret værksted. Kontakt det lokale Black & Decker-kontor på den adresse, der er angivet i denne vejledning, for at få oplysninger om det nærmeste autoriserede værksted. En liste over alle autoriserede Black & Decker-serviceværksteder samt servicevilkår er tilgængelig på internettet på adressen:

www.2helpU.com

Gå venligst ind på vores website **www.blackanddecker.dk** for at registrere dit nye produkt og for at blive holdt ajour om nye produkter og specialtilbud. Der findes yderligere oplysninger om mærket Black & Decker og vores produktsortiment på adressen **www.blackanddecker.dk**.

Käyttötarkoitukset

Black & Decker -puhallin/imuri on suunniteltu puunlehtien siivoamiseen. Laitte on tarkoitettu vain kotikäyttöön ja vain ulkona.

Turvallisuusohjeet

Varoitus! Sähkölaitteita käytettäessä on aina noudatettava asianmukaisia turvaohjeita, jotta tulipalojen, sähköiskujen ja henkilövahinkojen riski olisi mahdollisimman pieni.

- Lue nämä ohjeet huolellisesti ennen laitteen käyttöä.
- Ennen laitteen käyttöä on varmistettava, että käyttäjä osaa sammuttaa sen hätätilanteessa.
- Säilytä ohjeet tulevaa tarvetta varten.

Koulutus

- Lue ohjeet huolellisesti. Tutustu hallintalaitteisiin ja opettele laitteen oikea käyttö.
- Älä anna lasten tai tätä käyttöohjetta lukemattomien henkilöiden käyttää laitetta. Paikalliset säädökset saattavat määrittää käyttäjiä koskevia ikärajoituksia.
- Älä käytä laitetta muiden henkilöiden (erityisesti lapsien) tai eläinten läheisyydessä.
- Muista, että laitteen käyttäjä on vastuussa muille henkilöille tai omaisuudelle aiheutuneista onnettomuuksista tai vaaratilanteista.

Valmistelu

- Älä käytä laitetta avoaloin tai avonaisten jalkineiden kanssa.
- Suojaa jalkateräsi ja sääresi käyttämällä aina tukevia jalkineita tai saappaita ja pitkiä housuja, sillä juuri leikattu ruoho on kosteaa ja liukasta. Suojaavat jalkineet parantavat turvallisuutta.
- Käytä suojavarusteita. Käytä suojalaseja, kun käytät laitetta.
- Sopivan hengityssuojaimen käyttäminen on suositeltavaa pölyn aiheuttaman ärsytyksen estämiseksi.
- Käytä kuulonsuojaimia, mikäli laitteen ääni on käytön aikana epämiellyttävän kova.

Varoitus! Sido pitkät hiukset, jos ne ulottuvat hartioita alemmas. Älä pidä väliä vaatteita, solmiota, hihoja tai muita mahdollisesti takertuvia esineitä lähellä laitteen aukkoja ja liikkuvia osia.

- Varmista säännöllisesti, ettei virtakaapeli ole vahingoittunut eikä kulunut. Käytä vain hyväkuntoista kaapelia.
- Varmista aina ennen laitteen käyttöä, että laite on turvallisisessa käyttökunnossa ja kaikki osat kiinnitetty pitävästi.
- Älä käytä laitetta, jos jokin osa on viallinen tai kulunut.

- Älä imuroi palavia materiaaleja, kuten sytytettyjä savukkeita.
- Älä käytä puhallinta/imuria, jos ilmassa on syttyviä tai räjähtäviä kaasuja. Laitteen moottorit synnyttävät tavallisesti kipinöitä, jotka voivat sytyttää kaasun.

Käyttö

- Älä käytä laitetta imuritilassa, elleivät imuriputket ja keräyspussi ole paikoillaan.
- Sammuta laite, anna puhallinyksikön pysähtyä ja irrota virtajohto virtalähteestä, kun
 - siirät laitteen puhallintilasta imuritilaan
 - virtakaapeli on vahingoittunut tai sotkeutunut
 - poistut laitteen läheisyydestä
 - selvität tukosta
 - tarkastat, säädät, puhdistat tai huollat laitetta
 - laite alkaa täräistä epänormaalisti.
- Älä aseta imurin otto- tai poistoaukkoa silmien tai korvien lähelle laitteen ollessa käynnissä. Älä koskaan puhalla roskaa sivullisia kohti.
- Älä käytä laitetta sateessa tai jätä sitä ulos sateeseen.
- Käytä laitetta vain päivänvalossa tai hyvin valaistulla alueella.
- Älä kulje hiekkapolkujen tai -teiden yli, kun laite on käynnissä puhallin-/imuritilassa. Kävele, älä juokse.
- Älä aseta laitetta maahan hiekkan päälle, kun laite on käynnissä.
- Varmista tukeva jalansija etenkin rinteissä. Älä kurkota ja seiso aina tukevasti tasapainossa.
- Älä imuroi aineita, joiden seassa voi olla syttyviä tai tulenarkoja nesteitä, kuten bensiiniä. Älä käytä laitetta tiloissa, joissa edellä mainittuja aineita saattaa olla.
- Älä aseta mitään esineitä laitteen aukkoihin. Älä käytä laitetta, jos sen aukot ovat tukkeutuneet. Puhdista aukot hiuksista, nukasta, pölystä ja muista hiukkasista, jotka voivat vähentää ilmavirtausta.

Varoitus! Käytä laitetta aina tämän käyttöoppaan ohjeiden mukaan. Laitte on tarkoitettu käytettäväksi pystyasennossa, ja sen käyttäminen muulla tavalla voi aiheuttaa vamman. Älä käynnistä laitetta sen ollessa kyhjellään tai ylösalaisin.

- Älä kanna laitetta kaapelista.
- Sijoita kaapeli aina taaksepäin pois päin laitteesta.

Varoitus! Jos johto vahingoittuu käytön aikana, irrota virtajohto heti virtalähteestä. **Älä kosketa virtajohtoa, ennen kuin olet irrottanut sen virtalähteestä.**

Huolto ja varastointi

- ◆ Tarkista ennen laitteen käyttöä, ettei laitteessa ole vahingoittuneita tai viallisia osia. Älä koskaan käytä laitetta ilman asianmukaisia suoja- tai turvalaitteita, kuten roskakeräintä. Tarkista, että liikkuvat osat toimivat moitteettomasti eivätkä ole väärässä asennossa ja että työkalussa ei ole murtuneita tai vahingoittuneita suoja- tai kytkimiä tai muita osia, jotka saattaisivat vaikuttaa haitallisesti laitteen toimintaan.
- ◆ Varmista, että laite toimii oikein. Laitetta ei tule käyttää, jos sen suoja tai kotelo on vaurioitunut tai poistettu.
- ◆ Älä käytä laitetta, jos jokin osa on vahingoittunut tai viallinen. Älä käytä laitetta, jota ei voida käynnistää ja pysäyttää virtakytkimestä.
- ◆ Korjauta tai vaihdata vaurioituneet tai vialliset osat valtuutetussa huoltoliikkeessä.
- ◆ Tarkista virtajohtojen kunto säännöllisesti. Jos virtajohto vahingoittuu, sen vaihtaminen tulee turvallisuussyistä jättää valtuutetun huoltoliikkeen tehtäväksi. Tarkista jatkojohtojen kunto säännöllisesti. Vaihda vaurioitunut jatkojohto heti.
- ◆ Älä puhdista laitetta liuottimilla tai puhdistusnesteillä. Irrota ruoho ja lika tylsällä kaapimella.
- ◆ Varmista säännöllisesti, ettei keräyspussi ole kulunut tai rikkoutunut.
- ◆ Kun laitetta ei käytetä, se on säilytettävä kuivassa paikassa. Pidä laite lasten ulottumattomissa.
- ◆ Puhallinyksiköitä myyvät Black & Decker -tuotteiden jälleenmyyjät. Käytä ainoastaan Black & Deckerin suosittelemia varaosia ja lisävarusteita.

Puhallin/imurien lisäturvaohjeet

- ◆ Tätä laitetta ei ole tarkoitettu sellaisten henkilöiden käyttöön, joilla on fyysisiä tai älyllisiä rajoitteita tai aistirajoitteita, eikä laitteen toimintaan perehtymättömien henkilöiden käyttöön (lapset mukaan luettuina), paitsi valvonnan alaisina tai jos he ovat saaneet laitteen käyttöön liittyvää opastusta heidän turvallisuudestaan vastaavalta henkilöltä.
- ◆ Lapsia on valvottava ja estettävä leikkimästä laitteella.
- ◆ Jos virtajohto vahingoittuu, sen vaihtaminen tulee turvallisuussyistä jättää valmistajan tai valtuutetun Black & Decker -huollon tehtäväksi.

Merkit



Lue käyttöohje ennen laitteen käyttämistä.



Älä käytä laitetta sateessa tai jätä sitä ulos sateeseen.



Sammuttaminen: irrota verkkojohto pistorasiasta ennen puhdistamista tai huoltamista.



Käytä suojalaseja ja kuulosuojaimia, kun käytät tätä työkalua.



Pidä sivulliset loitolla.

Sähköturvallisuus



Tämä laite on kaksoiseristetty, joten erillistä maadoitusta ei tarvita. Tarkista aina, että virtalähde vastaa arvokilvessä ilmoitettua jännitettä.

- ◆ Jos virtajohto vahingoittuu, sen vaihtaminen tulee turvallisuussyistä jättää valmistajan tai valtuutetun Black & Decker -huollon tehtäväksi.
- ◆ Sähköturvallisuutta voi parantaa käyttämällä erittäin herkkää (30 mA) vikavirtasuojaa.

Jatkojohdot

- ◆ Kun käytät laitetta ulkona, käytä vain säänkestäviä jatkojohtoja yhdessä IEC 603320-2-3:n mukaisten liittimien kanssa.
- ◆ Voit käyttää enintään 25-metristä, 1,5 mm:n 3-johtimista Black & Deckerin HO5WF-jatkojohtoa ilman virranmenetystä.
- ◆ Jos virtajohto vahingoittuu, sen vaihtaminen tulee turvallisuussyistä jättää valmistajan tai valtuutetun Black & Decker -huollon tehtäväksi.

Yleiskuvasu

1. Kantohihna
2. Nopeudensäätönuppi
3. Virrankatkaisija
4. Keräyspussin kädensija
5. Keräyspussi
6. Puhallinputken kiinnitysosa
7. Puhallinputki
8. Kaavin
9. Imuriputki, alempi
10. Imuriputki, ylempi
11. Lukitusrengas
12. Vapautuspainike
13. Konepää

Kokoaminen

Varoitus! Ennen kokoamista varmista, että laitteen virtakytkin on pois päältä eikä laitetta ole liitetty virtalähteeseen.

Imuriputken kokoaminen (kuva A)

Imuriputket on kiinnitettävä yhteen ennen laitteen käyttöä.

Varoitus! Älä käytä laitetta, jos imuriputket ovat erillään.

- ♦ Voit helpottaa kiinnittämistä voitelemalla kiinnityskohdan saippuvedellä.
- ♦ Kohdista toisiinsa lovet (15) ja kolmiot (14) ylemmässä (10) ja alemmassa (9) imuriputkessa.
- ♦ Työnnä alemmaa imuriputkea (9) voimakkaasti ylemmän imuriputken (10) sisään, kunnes kolmiot napsahtavat paikoilleen.

Varoitus! Älä irrota putkia, kun ne on kiinnitetty.

Imuriputken kokoaminen (kuva B)

Puhallinputki on kiinnitettävä puhallinputken kiinnitysosaan ennen laitteen käyttöä.

- ♦ Kohdista ympyrät (16) puhallinputken kiinnitysosassa (6) puhallinputkeen (7).
- ♦ Työnnä puhallinputkea (7) voimakkaasti puhallinputken kiinnitysosaan (6), kunnes ympyrät napsahtavat paikoilleen.

Varoitus! Älä irrota putkia, kun ne on kiinnitetty.

Kantohihnan kiinnittäminen (kuvat C ja D)

Kiinnitä kantohihna (1) laitteeseen ja säädä hihna käyttäjälle sopivaksi.

- ♦ Pujota koukku (17) kiinnitysreian (18) läpi.
- ♦ Säädä silmukan pituutta soljen (19) avulla.

Käyttö

Kytkeä käyttöön ja pois käytöstä (kuva E)

Varoitus! Pidä laitteesta kiinni tukevasti molemmin käsin käynnistäessäsi laitteen.

- ♦ Virta kytketään imuriin työntämällä virtakytkintä (3) eteenpäin.
- ♦ Virta katkaistaan työntämällä virtakytkintä (3) taaksepäin.

2-portainen nopeudensäätö (kuva E)

- ♦ Imuri/puhaltimessa on nopeudensäätönappi (2), joka sijaitsee konepään kahvassa.
- ♦ Kierrä nopeudensäätönappi (2) halutulle nopeusalueelle. Asento I on pieni nopeus, asento II on suuri nopeus.

Kaapelin pitosilmukka (kuva F)

- ♦ Konepään takaosassa on kaapelin pitosilmukka (21).
- ♦ Pujota kaapeli (20) kaapelin pitosilmukan (21) läpi.

Laitteen käyttäminen (kuva G)

Varoitus! Käytä suojalaseja, kun käytät puhallinta tai imuria.

Jos ympäristö on pölyinen, käytä myös hengityssuojainta.

Varoitus! Sammuta laite, anna puhallinyksikön pysähtyä ja irrota virtajohto virtalähteestä, ennen kuin säädät tai huollat laitetta.

Puhallintila (kuvat G, H ja I)

Huomautus: Varmista, että lukitusrenkas on avatussa asennossa (kuva I).

- ♦ Kiinnitä puhallinputken kiinnitysosa (6) ja putki (7) konepähän (13) (kuva G). Aseta puhallin kuvan nuolen osoittamalla tavalla, taita osat yhteen ja paina lukitus-/vapautusalppaa (12), kunnes salpa (22) on täysin lukittu.
- ♦ Kierrä lukitusnuppia (11) myötäpäivään lukitusasentoon.
- ♦ Pidä puhallinputkea noin 180 mm:n korkeudella maasta ja käynnistä laite. Kävele hitaasti ja liikuta laitetta pyyhkivin liikkein puolelta toiselle. Pidä keräytyneet roskat/lehdet edessäsi (kuva H).
- ♦ Kun olet puhaltanut roskat/lehdet kasaksi, voit siirtää laitteen imuritilaan ja kerätä roskat/lehdet.

Puhallin/imuriputken irrottaminen (kuva I)

- ♦ Irrota puhallinputken kiinnitysosa (6) tai imuriputki (10) konepäästä (13) ja kierrä lukitusrengasta (11) vastapäivään avattuun asentoon. Paina sitten vapautuspainiketta (12) ja varmista, ettei putki putoa maahan.
- ♦ Vapautuspainike (12) ei toimi, jos lukitusrenkas (11) on lukitussa asennossa.

Imuritila (kuvat J–N)

Kiinnitä pussiosa puhallin/imuriin (kuvat J, K ja L).

- ♦ Keräyspussi (5) on kiinnitettävä, jos laitetta käytetään imurointiin, raastamiseen.
- ♦ Aseta pussin kehys (23) pussipidinkanavaan (25) ja varmista, että pussin etuosa on imurin poistoaukon (24) päällä (kuva J).
- ♦ Liu'uta pussi kokonaan kanavaan ja lukitse kahva pussin yläosaan painamalla salppaa (26) (kuvat K ja L).
- ♦ Aseta putki hieman roskien/lehtien yläpuolelle. Käynnistä puhallin/imuri ja liikuta sitä pyyhkivin liikkein. Laite imee roskat/lehdet putkeen, raastaa ne ja puhalttaa ne keräyspussiin (kuva M).
- ♦ Pinttyneitä roskia/lehtiä varten imuriputkessa on kaavin (8). Irrota pinttyneet roskat/lehdet kaapimella ja jatka imurointia tavalliseen tapaan.
- ♦ Kun pussi täyttyy, imuteho pienenee. Sammuta tällöin puhallin/imuero ja irrota se virtalähteestä.

- ◆ Irrota pussi painamalla salpaa (26) niin, että pussi vapautuu pussinpitimestä, ja liu'uta pussi ulos.
- ◆ Tyhjennä pussi tarttumalla muoviseen keräysspussin kahvaan (4) ja tarttumalla pussin alapuolella olevaan nailonkahvaan (27). Käännä pussi ylösalaisin ja ravistele roskat ja lehdet ulos.

Vianmääritys

Laitte ei toimi	1	Tarkista kytkentä virtalähteeseen.
	2	Tarkista pistokkeessa oleva sulake ja vaihda se tarvittaessa (vain Iso-Britannia).
	3	Tarkista, että puhallin-/imuriputki on kiinnitetty oikein konepäähän.
	4	Jos sulake palaa jatkuvasti, irrota laite heti virtalähteestä ja ota yhteys paikalliseen Black & Decker -huoltoliikkeeseen.
	5	Tarkista lukitusrenkaan asento.
Huono imuteho / korkea sivuääni	1	Sammuta laite ja irrota se virtalähteestä. Roskien/lehtien pitäisi pudota ulos putkesta.
	2	Irrota ja tyhjennä keräysspussi.
	3	Tarkista, että imuriputken otto- että poistoaukko ovat tyhjiä
	4	Poista kaikki roskat/lehdet puhallinyksikön alueelta.
	5	Jos imuteho on jatkuvasti huono, irrota laite heti virtalähteestä ja ota yhteys paikalliseen Black & Decker -huoltoliikkeeseen.
Raastimen teho on huono	1	Sammuta laite ja irrota se virtalähteestä. Irrota keräysspussi.
	2	Irrota imuriputki ja tarkasta puhallinyksikkö.
	3	Puhdista kaikki roskat/lehdet puhallinyksikön siivistä.
	4	Jos puhallinyksikkö on murtunut tai vahingoittunut, ota yhteys paikalliseen Black & Decker -huoltoliikkeeseen.

Huolto

Black & Deckerin laite on suunniteltu toimimaan mahdollisimman pitkän aikaa mahdollisimman vähällä huollolla. Oikealla huollolla ja säännöllisellä puhdistuksella laite säilyttää suorituskykynsä.

- ◆ Pidä laite puhtaana ja kuivana.
- ◆ Poista kaikki roskat/lehdet imuriputken sisältä.

- ◆ Puhdista ilma-aukot puhtaalla, kuivalla maalisiveltimellä.
- ◆ Älä koskaan käytä puhdistamiseen hiovia aineita tai liuotinperusteisia puhdistusaineita.
- ◆ Laitteessa on itsevoitelavat laakerit, joten voitelu ei ole tarpeen.

Ympäristö



Erillinen keräys. Tätä tuotetta ei saa hävittää normaalin kotitalousjätteen kanssa.

Kun Black & Decker -laitteesi aikanaan täytyy vaihtaa tai ei kelpaa enää käyttöön, älä hävitä laitetta kotitalousjätteen mukana. Toimita laite kierrätettäväksi.



Käytettyjen tuotteiden ja pakkausmateriaalien erilliskeruun avulla materiaalit voidaan kierrättää ja käyttää uudelleen. Kierrätysmateriaalien käyttö auttaa vähentämään ympäristön saastumista ja uusien raaka-aineden tarvetta.

Paikallisissa säädöksissä voidaan määrätä, että kodin sähkötuotteiden keruu tapahtuu kaupunkien jätteidenkäsittelyasemilla tai laitteita myyvissä liikkeissä uuden tuotteen oston yhteydessä.

Kun laitteesi on käytetty loppuun, älä heitä sitä tavallisten roskien mukana pois, vaan vie se paikkakuntasi kierrätyskeskukseen tai jätä valtuutettuun Black & Deckerin huoltoliikkeeseen.

Tiedot valtuutetuista huoltoliikkeistä saa ottamalla yhteyttä Black & Decker Oy:hyn sekä Internetistä osoitteesta www.2helpU.com.

Tekniset tiedot

GW3010	
Jännite	Vac 230
Ottoteho	W 3000
Teho	l 35
Paino (puhallin)	kg 3,4
Paino (imuri)	kg 4,76

EU:n yhdenmukaisuusilmoitus

GW3010

Black & Decker vakuuttaa näiden tuotteiden olevan seuraavien standardien vaatimusten mukaiset:
98/37/EY, 2006/95/EEC, 2000/14/EY, EN55014, EN55104,
EN60335

Lehtipuhallin/-keräin = 11 m³ / min, Liite V

Käteen kohdistuva painotettu värinäarvo standardin
EN ISO 5329 mukaisesti: 12 m/s²

Melutaso, mitattu 2000/14/EY:n mukaisesti:

Äänenpaine (L_{pA}) 92 dB(A)Akustinen teho (L_{WA}) 105 dB(A)Taattu (L_{WA}) 107 dB(A)

Allekirjoittanut vastaa teknisten tietojen kokoamisesta
tehdn tämän ilmoituksen Black & Deckerin puolesta.



Kevin Hewitt
Director of Consumer Engineering
Spennymoor, County Durham DL16 6JG,
Iso-Britannia
8.8.2008

Malli- ja patenttiedot

Eurooppalaisten patenttien numerot: EP 0 723 758 B, EP 0
723 759 B ja EP 1 430 825 B

Eurooppalainen patenttihakemusnumero: EP 1 442 653 A

Mallin rekisteröintinumerot (EU): 69750-0002, 69760-0003
ja 712922-0001

Yhdysvaltalaisen patenttien numerot: 5673457, 5604954 ja
7266860

Yhdysvaltalainen patenttihakemusnumero: 2005/0177973

Mallin rekisteröintinumerot (Yhdysvallat): D498885

Takuu

Black & Decker Oy takaa, ettei tuotteessa ollut materiaali- ja/
tai valmistusvikaa silloin, kun se toimitettiin ostajalle. Takuu
on lisäys kuluttajan laillisiin oikeuksiin eikä vaikuta niihin.

Takuu on voimassa Euroopan unionin jäsenmaissa ja
Euroopan vapaakauppa-alueella (EFTA).

Mikäli Black & Decker -tuote hajoaa materiaali- ja/tai
valmistusvirheen tai teknisten tietojen epätarkkuuden vuoksi
24 kk:n kuluessa ostopäivästä, Black & Decker korjaa
laitteen ilman kustannuksia ostajalle tai vaihtaa sen uuteen
Black & Decker Oy:n valinnan mukaan. Takuu ei kata vikoja,
jotka johtuvat laitteen

- ◆ normaalista kulumisesta

- ◆ ylikuormituksesta, virheellisestä käytöstä tai hoidosta
- ◆ vahingoittamisesta vieraalla esineellä tai aineella tai onnettomuustapauksessa.
- ◆ Takuu ei ole voimassa, mikäli laitetta on korjannut joku muu kuin Black & Deckerin valtuuttama huoltoliike.

Edellytyksenä takuun saamiselle on, että ostaja jättää koneen ja ostokuitin jälleenmyyjälle tai valtuutetulle huoltoliikkeelle viimeistään 2 kuukauden kuluessa vain ilmenemisestä. Tiedot valtuutetuista huoltoliikkeistä saa ottamalla yhteyttä Black & Decker Oy:hyn sekä Internetistä osoitteesta

www.2helpU.com, jossa on myös takuuehdot.

Käy verkkosivuiltamme osoitteessa

www.blackanddecker.fi ja rekisteröi uusi Black & Decker -tuotteesi. Sivuilta saat myös tietoa uusista tuotteista ja erikoistarjouksista. Lisätietoja Black & Decker -tuotemerkeistä ja tuotevalikoimastamme on osoitteessa **www.blackanddecker.fi**.

Ενδεξιμένη χρήση

Αυτός ο φυσητήρας/αναροφητήρας της Black & Decker έχει σχεδιαστεί για τον καθαρισμό χώρων από φύλλα. Αυτό το εργαλείο προορίζεται μόνο για ερασιτεχνική χρήση και μόνο για εξωτερικούς χώρους.

Οδηγίες ασφαλείας

Προειδοποίηση! Κατά τη χρήση συσκευών που τροφοδοτούνται με ηλεκτρικό ρεύμα, θα πρέπει να λαμβάνονται οι βασικές προφυλάξεις ασφαλείας, συμπεριλαμβανομένων των παρακάτω, για τον περιορισμό του κινδύνου πυρκαγιάς, ηλεκτροπληξίας και σωματικών βλαβών.

- ◆ Διαβάστε προσεκτικά όλο το περιεχόμενο αυτού του εγχειριδίου πριν χρησιμοποιήσετε το εργαλείο σας.
- ◆ Πριν χρησιμοποιήσετε το εργαλείο σας, βεβαιωθείτε ότι έχετε πώς να το απενεργοποιήσετε σε περίπτωση έκτακτης ανάγκης.
- ◆ Φυλάξτε αυτό το εγχειρίδιο για μελλοντική αναφορά.

Εκμάθηση

- ◆ Διαβάστε τις οδηγίες προσεκτικά. Εξοικειωθείτε με τα χειριστήρια και τη σωστή χρήση του εργαλείου.
- ◆ Μην επιτρέπετε σε μικρά παιδιά ή σε άτομα που δεν έχουν διαβάσει το εγχειρίδιο οδηγιών ή που δεν έχουν εξοικειωθεί με το εργαλείο να το λειτουργούν. Οι κανονισμοί που ισχύουν στην περιοχή σας μπορεί να επιβάλλουν περιορισμούς στην ηλικία του χειριστή.
- ◆ Μη χρησιμοποιείτε ποτέ το εργαλείο όταν υπάρχουν άνθρωποι και ιδιαίτερα παιδιά ή κατοικίδια ζώα κοντά στο εργαλείο.
- ◆ Να θυμάστε ότι ο χειριστής είναι πάντα υπεύθυνος για ατυχήματα και κινδύνους που προκαλούνται σε ανθρώπους ή υλικές ζημιές.

Προετοιμασία

- ◆ Μη χρησιμοποιείτε το προϊόν σας ξυπόλητος ή φορώντας ανοιχτά σανδάλια.
- ◆ Για την προστασία των ποδιών σας, να φοράτε πάντα γερά παπούτσια ή μπότες και μακρύ παντελόνι - το φρεσκοκομμένο γρασίδι είναι υγρό και ολισθηρό. Η χρήση ειδών υπόδησης από λάστιχο ή συνθετικό υλικό αυξάνει ακόμα περισσότερο την ασφάλειά σας.
- ◆ Χρησιμοποιείτε προστατευτικό εξοπλισμό. Φοράτε προστατευτικά ή χοντρά γυαλιά όταν χρησιμοποιείτε το προϊόν σας.
- ◆ Για την αποτροπή ερεθισμών από σκόνη, σας συνιστούμε να φοράτε κατάλληλη μάσκα προσώπου.
- ◆ Χρησιμοποιήστε προστατευτικά ακοής εάν το επίπεδο θορύβου είναι ενοχλητικό κατά τη χρήση του προϊόντος σας.

Προειδοποίηση! Εάν έχετε μακριά μαλλιά, μαζέψτε τα ώστε να είναι πάνω από τον ώμο σας. Κρατάτε τυχόν φαρδιά ρούχα, γραβάτες, κρόσια και λουριά που κρέμονται μακριά από τα ανοίγματα και τα κινούμενα μέρη του προϊόντος σας.

- ◆ Το καλώδιο ηλεκτρικής τροφοδοσίας θα πρέπει να ελέγχεται τακτικά για τυχόν σημάδια ζημιάς ή παλαιώσης και να χρησιμοποιείται μόνο εφόσον είναι σε καλή κατάσταση.
- ◆ Να διασφαλίζετε πάντα ότι το προϊόν σας είναι σε ασφαλή κατάσταση λειτουργίας και ότι όλα τα εξαρτήματά του είναι ασφαλισμένα και στερεωμένα καλά πριν από τη χρήση.
- ◆ Μη χρησιμοποιήσετε το προϊόν εάν διαπιστώσετε ότι κάποια εξαρτήματά του είναι ελαττωματικά ή φθαρμένα.
- ◆ Μην περισυλλέγετε καιγόμενα υλικά, όπως αναμμένα αποτσίγαρα.
- ◆ Μη χρησιμοποιείτε το φυσητήρα/αναροφητήρα σε περιβάλλοντα εύφλεκτων αερίων ή στα οποία υπάρχει κίνδυνος έκρηξης, καθώς τα μοτέρ των εργαλείων αυτού του τύπου συνήθως παράγουν σπινθήρες που μπορεί να προκαλέσουν ανάφλεξη.

Χειρισμός

- ◆ Μη χρησιμοποιείτε το προϊόν σας σε λειτουργία αναροφητήρα χωρίς τοποθετημένους τους σωλήνες αναρρόφησης και τη σακούλα περισυλλογής.
- ◆ Πάντα να απενεργοποιείτε το προϊόν σας, να αφήνετε τον ανεμιστήρα να σταματήσει εντελώς και να αποσυνδέετε το φως από την πρίζα, όταν:
 - Κάνετε αλλαγή από λειτουργία φυσητήρα σε λειτουργία αναροφητήρα.
 - Το καλώδιο τροφοδοσίας έχει υποστεί ζημιά ή έχει μπλεχτεί κάπου.
 - Αφήνετε το προϊόν σας χωρίς επιτήρηση.
 - Καθαρίζετε το προϊόν σας σε περίπτωση απόφραξης.
 - Ελέγχετε, ρυθμίζετε, καθαρίζετε το προϊόν σας ή εργάζεστε με αυτό.
 - Η συσκευή αρχίζει να δονείται με μη φυσιολογικό τρόπο.
- ◆ Μην τοποθετείτε το στόμιο εισαγωγής ή εξαγωγής του σωλήνα αναρρόφησης κοντά στα μάτια ή τα αυτιά κάποιου ατόμου κατά τη λειτουργία της συσκευής. Ποτέ μη φυσάτε τα άχρηστα υλικά προς την κατεύθυνση ατόμων που τυχόν παρευρίσκονται στο γύρω χώρο.
- ◆ Μη χρησιμοποιείτε τη συσκευή στη βροχή και μην την αφήνετε σε εξωτερικό χώρο ενώ βρέχει.
- ◆ Χρησιμοποιείτε το προϊόν σας μόνο στο φως της ημέρας ή σε καλό τεχνητό φωτισμό.
- ◆ Μη διασχίζετε μονοπάτια ή δρόμους με χαλίκι με το προϊόν σας ενεργοποιημένο σε λειτουργία φυσητήρα/αναροφητήρα. Βαδίζετε αργά και, σε καμία περίπτωση, μην τρέχετε.

- ◆ Μην τοποθετείτε τη συσκευή σας σε έδαφος με χαλίκι όταν είναι ενεργοποιημένη.
- ◆ Προσέχετε πάντα πώς βαδίζετε, ιδιαίτερα σε εδάφη με κλίση. Μην τεντώνετε για να εργαστείτε σε σημεία που δεν φτάνετε καλά και να διατηρείτε συνεχώς την ισορροπία σας.
- ◆ Μην περισυλλέγετε υλικό στο οποίο μπορεί να έχει πέσει εύφλεκτο ή καύσιμο υγρό, όπως π.χ. βενζίνη, και μη χρησιμοποιείτε τη συσκευή σε περιοχές όπου μπορεί να υπάρχουν τέτοια υγρά.
- ◆ Μην τοποθετείτε αντικείμενα μέσα στα ανοίγματα της συσκευής. Σε καμία περίπτωση μη χρησιμοποιήσετε τη συσκευή εάν τα ανοίγματά της είναι φραγμένα - φροντίστε τα ανοίγματα να παραμένουν καθαρά από τρίχες, χνούδια, σκόνη ή σιδήριτες άλλου που μπορεί να μειώσει τη ροή του αέρα.

Προειδοποίηση! Πάντα να χρησιμοποιείτε το προϊόν σας με τον τρόπο που υποδεικνύεται στο παρόν εγχειρίδιο. Το προϊόν σας είναι σχεδιασμένο για χρήση σε όρθια θέση και εάν χρησιμοποιηθεί με οποιοδήποτε άλλο τρόπο, μπορεί να προκαλέσει τραυματισμό. Μη χρησιμοποιείτε το προϊόν σας στηριγμένο σε μια από τις πλευρές του ή τοποθετημένο ανάποδα.

- ◆ Μη μεταφέρετε τη συσκευή τραβώντας την από το καλώδιο.
- ◆ Πάντα να κατευθύνετε το καλώδιο προς τα πίσω, μακριά από τη συσκευή.

Προειδοποίηση! Εάν το καλώδιο τροφοδοσίας υποστεί ζημιά κατά τη χρήση, αποσυνδέστε το αμέσως από την πρίζα. **Μην αγγίζετε το καλώδιο τροφοδοσίας πριν το αποσυνδέσετε από την πρίζα.**

Συντήρηση και αποθήκευση

- ◆ Πριν από τη χρήση, ελέγξτε τη συσκευή σας για τυχόν χαλασμένα ή ελαττωματικά τμήματα. Μη χρησιμοποιείτε ποτέ τη συσκευή με ελαττωματικούς προφυλακτρες ή προστατευτικά, ή χωρίς τις διατάξεις ασφαλείας, όπως είναι ο συλλέκτης άχρηστων υλικών, τοποθετημένες στη θέση τους. Ελέγξτε εάν τα κινούμενα μέρη είναι σωστά ευθυγραμμισμένα ή εάν έχουν μπλοκάρει, εάν υπάρχουν σπασμένα μέρη στη συσκευή, εάν υπάρχουν ζημιές στους προφυλακτρες και τους διακόπτες, καθώς και οποιαδήποτε άλλη κατάσταση που μπορεί να επηρεάσει τη λειτουργία της συσκευής.
- ◆ Διασφαλίστε ότι η συσκευή θα λειτουργήσει σωστά και ότι θα επιτελέσει την προβλεπόμενη λειτουργία της. Μη χρησιμοποιείτε ποτέ τη συσκευή όταν κάποιο από τα προστατευτικά ή τα περιβλήματά της έχει υποστεί ζημιά ή δεν είναι τοποθετημένο στη θέση του.

- ◆ Μην χρησιμοποιείτε τη συσκευή εάν υπάρχει κάποιο χαλασμένο ή ελαττωματικό εξάρτημα. Μη χρησιμοποιείτε τη συσκευή εάν ο διακόπτης λειτουργίας της είναι χαλασμένος και δεν μπορεί να την ενεργοποιήσει ή να την απενεργοποιήσει.
- ◆ Φροντίστε να γίνει η επισκευή ή η αντικατάσταση των τυχόν ελαττωματικών εξαρτημάτων από εξουσιοδοτημένο κέντρο επισκευών.
- ◆ Ελέγχετε συχνά το καλώδιο για ζημιές. Εάν το καλώδιο έχει υποστεί ζημιά, πρέπει να αντικατασταθεί από ένα εξουσιοδοτημένο κέντρο επισκευών ώστε να μην αποτελέσει κίνδυνο. Επιθεωρείτε τακτικά τα καλώδια προέκτασης. Να αντικαθιστάτε αμέσως το καλώδιο προέκτασης εάν παρουσιάσει ζημιά.
- ◆ Μη χρησιμοποιείτε διαλύτες ή καθαριστικά υγρά για τον καθαρισμό του προϊόντος σας - χρησιμοποιήστε μια μη αιχμηρή ζύστρα για να αφαιρέσετε το γρασίδι και τις ακαθαρσίες.
- ◆ Ελέγχετε τακτικά τη σακούλα περισυλλογής για τυχόν φθορές.
- ◆ Όταν δεν χρησιμοποιείται, το εργαλείο πρέπει να φυλάσσεται σε στεγνό μέρος. Τα παιδιά δεν πρέπει να έχουν πρόσβαση σε αποθηκευμένες συσκευές.
- ◆ Ανταλλακτικοί ανεμιστήρες είναι διαθέσιμοι από οποιοδήποτε εξουσιοδοτημένο κέντρο επισκευών της Black & Decker. Χρησιμοποιείτε μόνο ανταλλακτικά και αξεσουάρ που συνιστά η Black & Decker.

Συμπληρωματικές οδηγίες ασφαλείας για τους φυσήτρες/ αναρροφητήρες

- ◆ Αυτό το εργαλείο δεν προορίζεται για χρήση από άτομα (στα οποία περιλαμβάνονται και τα παιδιά) με μειωμένες φυσικές, αντιληπτικές ή διανοητικές ικανότητες, ή άτομα χωρίς εμπειρία και γνώσεις, παρά μόνο εφόσον επιτηρούνται ή τους έχουν δοθεί οδηγίες σχετικά με τη χρήση του εργαλείου από άτομο υπεύθυνο για την ασφάλειά τους.
- ◆ Τα παιδιά πρέπει να επιτηρούνται για να είστε σίγουροι ότι δεν παίζουν με το εργαλείο.
- ◆ Αν το καλώδιο ρεύματος έχει υποστεί φθορά, η αντικατάστασή του πρέπει να γίνει από τον κατασκευαστή ή από ένα εξουσιοδοτημένο κέντρο της Black & Decker, ώστε να μην αποτελέσει κίνδυνο.

Σύμβολα

Διαβάστε το εγχειρίδιο οδηγιών πριν από τη λειτουργία.



Μη χρησιμοποιείτε τη συσκευή στη βροχή και μην την αφήνετε σε εξωτερικό χώρο ενώ βρέχει.



Απενεργοποιήστε τη συσκευή: πριν από τον καθαρισμό ή τη συντήρηση, βγάλτε την από την πρίζα.



Φοράτε προστατευτικά ή χοντρά γυαλιά και ωτασπίδες όταν χρησιμοποιείτε αυτό το εργαλείο



Μην επιτρέπετε να πλησιάσουν άλλα άτομα.

Ασφαλής χρήση του ηλεκτρικού ρεύματος

Αυτό το εργαλείο φέρει διπλή μόνωση, επομένως δεν απαιτείται σύρμα γείωσης. Ελέγχετε πάντοτε αν η τάση τροφοδοσίας αντιστοιχεί σε αυτήν που αναγράφεται στην πινακίδα στοιχείων του εργαλείου.

- Εάν το καλώδιο ρεύματος έχει υποστεί ζημιά, πρέπει να αντικατασταθεί από τον κατασκευαστή ή από ένα εξουσιοδοτημένο κέντρο σέρβις της Black & Decker, ώστε να μην αποτελέσει κίνδυνο.
- Η ασφάλεια έναντι ηλεκτροπληξίας μπορεί να βελτιωθεί ακόμα περισσότερο με τη χρήση μιας Διάταξης Παραμένοντος Ρεύματος (RCD) 30 mA υψηλής ευαισθησίας.

Καλώδια προέκτασης

- Όταν χρησιμοποιείτε το εργαλείο σε εξωτερικό χώρο, χρησιμοποιείται μόνο αδιάβροχα καλώδια προέκτασης εξοπλισμένα με φως σύμφωνα με το πρότυπο IEC 603320-2-3.
- Μπορείτε να χρησιμοποιήσετε ένα καλώδιο προέκτασης Black & Decker 1,5 mm HO5WF 3 αγωνίων μήκους έως 25 m, χωρίς απώλειες ισχύος.
- Αν το καλώδιο ρεύματος έχει υποστεί φθορά, η αντικατάστασή του πρέπει να γίνει από τον κατασκευαστή ή από ένα εξουσιοδοτημένο κέντρο της Black & Decker, ώστε να μην αποτελέσει κίνδυνο.

Χαρακτηριστικά

1. Ιμάντας μεταφοράς
2. Μπουτόν ελέγχου ταχύτητας
3. Διακόπτης on/off
4. Λαβή σακούλας περισυλλογής
5. Σακούλα περισυλλογής
6. Κέλυφος φυσητήρα
7. Σωλήνας φυσητήρα
8. Ξύστρα
9. Σωλήνας αναρρόφησης - κάτω
10. Σωλήνας αναρρόφησης - πάνω
11. Ασφαλιστικός δακτύλιος
12. Πλήκτρο απελευθέρωσης
13. Κινητήρια κεφαλή

Συναρμολόγηση

Προειδοποίηση! Πριν από τη συναρμολόγηση, βεβαιωθείτε ότι το εργαλείο είναι απενεργοποιημένο και ότι το φως δεν είναι στην πρίζα.

Συναρμολόγηση των σωλήνων αναρρόφησης (εικ. Α)

Οι σωλήνες αναρρόφησης πρέπει να συναρμολογηθούν σχηματίζοντας ένα ενιαίο συγκρότημα πριν από τη χρήση.

Προειδοποίηση! Μη λειτουργείτε τη συσκευή με τους σωλήνες αναρρόφησης διαχωρισμένους.

- Για να διευκολύνετε τη συναρμολόγηση, διαβρέξτε τις επιφάνειες ένωσης με σαπουνάδα.
- Ευθυγραμμίστε τις εγκοπές (15) και τα τρίγωνα (14) στον επάνω (10) και τον κάτω (9) σωλήνα αναρρόφησης.
- Πιέστε με δύναμη τον κάτω σωλήνα αναρρόφησης (9) μέσα στον επάνω σωλήνα αναρρόφησης (10) μέχρι τα τρίγωνα να ασφαλισουν στη θέση τους.

Προειδοποίηση! Μη διαχωρίσετε τους σωλήνες μετά τη συναρμολόγησή τους.

Συναρμολόγηση του σωλήνα φυσητήρα (εικ. Β)

Ο σωλήνας φυσητήρα πρέπει να συναρμολογηθεί στο κέλυφος του φυσητήρα πριν από τη χρήση.

- Ευθυγραμμίστε τους κύκλους (6) και στο σωλήνα φυσητήρα (7).
- Πιέστε με δύναμη το σωλήνα φυσητήρα (7) μέσα στο κέλυφος του φυσητήρα (6) μέχρι οι κύκλοι να ασφαλισουν στη θέση τους.

Προειδοποίηση! Μη διαχωρίσετε τους σωλήνες μετά τη συναρμολόγησή τους.

Συναρμολόγηση του ιμάντα μεταφοράς (εικ. C - D)

Περάστε τον ιμάντα μεταφοράς (1) στη συσκευή και προσαρμόστε τον ανάλογα με τη σωματική διάπλαση του χρήστη.

- Περάστε το γάντζο (17) από την οπή (18) και "κουμπώστε" τον.
- Ρυθμίστε το μήκος της θηλιάς με την πόρπη (19).

Χρήση

Ενεργοποίηση και απενεργοποίηση (εικ. Ε)

Προειδοποίηση! Κρατήστε γερά και σταθερά το προϊόν σας, και με τα δύο χέρια, κατά την ενεργοποίησή του.

- ◆ Για να ενεργοποιήσετε τη συσκευή, σπρώξτε το διακόπτη λειτουργίας (3) προς τα εμπρός.
- ◆ Για να απενεργοποιήσετε τη συσκευή, σπρώξτε το διακόπτη λειτουργίας (3) προς τα πίσω.

Έλεγχος 2 ταχυτήτων (εικ. Ε)

- ◆ Για ακόμα μεγαλύτερο έλεγχο, ο φυσητήρας/ αναρροφητήρας σας είναι εξοπλισμένος με ένα μπουτόν ελέγχου ταχύτητας (2), το οποίο βρίσκεται στη λαβή της κινητήριας κεφαλής.
- ◆ Ρυθμίστε το μπουτόν ελέγχου ταχύτητας (2) στην απαιτούμενη βαθμίδα ταχύτητας. Τοποθετήστε στη θέση I για χαμηλή ταχύτητα ή στη θέση II για υψηλή ταχύτητα.

Συγκρατητήρας καλωδίου (εικ. F)

- ◆ Στο πίσω μέρος της κινητήριας κεφαλής, υπάρχει ενσωματωμένος ένας συγκρατητήρας καλωδίου (21).
- ◆ Περάστε σε θηλιά το καλώδιο (20) από το συγκρατητήρα καλωδίου (21).

Χρήση του προϊόντος σας (εικ. G)

Προειδοποίηση! Κατά τη χρήση του προϊόντος σας ως φυσητήρα ή ως αναρροφητήρα, να φοράτε πάντα προστατευτικά γυαλιά. Όταν χρησιμοποιείτε σε περιβάλλον με σκόνη, να φοράτε επίσης μάσκα με φίλτρο.

Προειδοποίηση! Πριν από την εκτέλεση εργασιών ρύθμισης, σέρβις ή συντήρησης, απενεργοποιείτε το προϊόν σας, αφήνετε τον ανεμιστήρα να σταματήσει εντελώς και αποσυνδέετε το φις από την πρίζα.

Λειτουργία φυσητήρα (εικ. G, H και I)

Σημείωση: Βεβαιωθείτε ότι ο ασφαλιστικός δακτύλιος βρίσκεται στη θέση απασφάλισης (εικ. I).

- ◆ Στερεώστε το κέλυφος του φυσητήρα (6) και το σωλήνα φυσητήρα (7) στην κινητήρια κεφαλή (13) (εικ. G) τοποθετώντας το φυσητήρα όπως υποδεικνύει το βέλος και κατόπιν περιστρέψτε το γύρω από αυτό το σημείο και πιέστε την αρπάγη ασφάλισης/απελευθέρωσης (12) μέχρις ότου η αρπάγη (22) εμπλακεί πλήρως.
- ◆ Περιστρέψτε τον ασφαλιστικό δακτύλιο (11) δεξιόστροφα στη θέση ασφάλισης.
- ◆ Κρατήστε το σωλήνα φυσητήρα σε απόσταση 180mm περίπου από την επιφάνεια του εδάφους, ενεργοποιήστε τη συσκευή και, εκτελώντας μια κίνηση "σάρωσης" από τη μια πλευρά στην άλλη, προχωρήστε αργά κρατώντας τα συσσωρευμένα άχρηστα υλικά/φύλλα μπροστά σας (εικ. H).

- ◆ Αφού σχηματίσετε με το φυσητήρα ένα σωρό άχρηστων υλικών/φύλλων, μπορείτε να ρυθμίσετε τη συσκευή σε λειτουργία αναρρόφησης για να περισυλλέξετε τα άχρηστα υλικά.

Αφαίρεση του σωλήνα φυσητήρα/αναρρόφησης (εικ. I)

- ◆ Για να αποσυνδέσετε το κέλυφος του φυσητήρα (6) ή το σωλήνα αναρρόφησης (10) από την κινητήρια κεφαλή (13), περιστρέψτε τον ασφαλιστικό δακτύλιο (11) αριστερόστροφα στη θέση απασφάλισης και κατόπιν πιέστε το κουμπί απελευθέρωσης (12), προσέχοντας να μην πέσει στο έδαφος ο σωλήνας.
- ◆ Το κουμπί απελευθέρωσης (12) δε λειτουργεί εάν ο ασφαλιστικός δακτύλιος (11) βρίσκεται στη θέση ασφάλισης.

Λειτουργία αναρρόφησης (εικ. J - N)

Τοποθέτηση του συγκροτήματος σακούλας περισυλλογής στο φυσητήρα/αναρροφητήρα (εικ. J, K, L)

- ◆ Για την αναρρόφηση/τεμαχισμό, θα πρέπει να τοποθετηθεί στη συσκευή η σακούλα περισυλλογής (5).
- ◆ Τοποθετήστε τη στεφάνη της σακούλας (23) στο αυλάκι υποδοχής σακούλας (25), φροντίζοντας ώστε το μπροστινό μέρος της σακούλας να βρίσκεται πάνω από το στόμιο εξαγωγής του σωλήνα αναρρόφησης (24) (εικ. J).
- ◆ Σύρετε τη σακούλα μέχρι να μπει ολόκληρη μέσα στο αυλάκι και πιέστε την ασφάλεια (26) για να ασφαλίσει η λαβή στο επάνω μέρος της σακούλας (εικ. K και L).
- ◆ Τοποθετήστε το σωλήνα ελαφρώς επάνω από τα άχρηστα υλικά/φύλλα. Ενεργοποιήστε το φυσητήρα/αναρροφητήρα και εκτελέστε μια κίνηση "σάρωσης". Τα άχρηστα υλικά/φύλλα θα αναρροφηθούν από το σωλήνα, θα τεμαχιστούν και θα οδηγηθούν στη σακούλα περισυλλογής (εικ. M).
- ◆ Για την περίπτωση κολλημένων υλικών/φύλλων που δεν αναρροφούνται εύκολα, ο σωλήνας αναρρόφησης διαθέτει ενσωματωμένη ξύστρα (8). Χρησιμοποιήστε την ξύστρα για να αποκαλλήσετε τα άχρηστα υλικά και κατόπιν συνεχίστε τη διαδικασία αναρρόφησης κατά τα γνωστά.
- ◆ Καθώς η σακούλα περισυλλογής γεμίζει, η ισχύς αναρρόφησης μειώνεται. Απενεργοποιήστε το φυσητήρα/αναρροφητήρα και αποσυνδέστε τον από την πρίζα.
- ◆ Για να αφαιρέσετε τη σακούλα, πιέστε την ασφάλεια (26) ώστε η σακούλα να απελευθερωθεί από την υποδοχή της και τραβήξτε έξω τη σακούλα.
- ◆ Για να αδειάσετε τη σακούλα περισυλλογής, κρατήστε την πλαστική λαβή της σακούλας (4) και πιέστε τη νάιλον λαβή (27) στην κάτω πλευρά της σακούλας. Αναποδογυρίστε τη σακούλα και ανακινήστε την καλά για να αδειάσετε τα άχρηστα υλικά και φύλλα.

Αντιμετώπιση προβλημάτων

Αποτυχία λειτουργίας	1	Ελέγξτε τη σύνδεση με την ηλεκτρική τροφοδοσία.
	2	Ελέγξτε την ασφάλεια στο φις. Εάν είναι καμμένη, αντικαταστήστε την (μόνο για το H.B.).
	3	Ελέγξτε ότι το συγκρότημα σωλήνων φυσστήρα/αναρρόφησης είναι τοποθετημένο σωστά στην κινητήρια κεφαλή
	4	Εάν η ασφάλεια εξακολουθεί να καίγεται, αποσυνδέστε αμέσως τη συσκευή από την ηλεκτρική τροφοδοσία και απευθυνθείτε στον τοπικό εξουσιοδοτημένο αντιπρόσωπο σέρβις της Black & Decker.
	5	Ελέγξτε τη θέση του ασφαλιστικού δακτυλίου.
Πολύ χαμηλή απόδοση αναρρόφησης/ διαπεραστικός συριγμός	1	Απενεργοποιήστε τη συσκευή και αποσυνδέστε την από την ηλεκτρική τροφοδοσία. Τα άχρηστα υλικά θα πρέπει να πέφτουν μακριά από το σωλήνα.
	2	Αφαιρέστε και αδειάστε τη σακούλα περισυλλογής.
	3	Ελέγξτε ότι το στόμιο εισαγωγής και εξαγωγής του σωλήνα αναρρόφησης είναι ελεύθερα και τα δύο.
	4	Καθαρίστε τυχόν άχρηστα υλικά από την περιοχή του ανεμιστήρα.
	5	Εάν η απόδοση της αναρρόφησης εξακολουθεί να είναι πολύ χαμηλή, αποσυνδέστε αμέσως τη συσκευή από την ηλεκτρική τροφοδοσία και απευθυνθείτε στον τοπικό εξουσιοδοτημένο αντιπρόσωπο σέρβις της Black & Decker.
Πολύ χαμηλή απόδοση τεμαχισμού	1	Απενεργοποιήστε τη συσκευή, αποσυνδέστε την από την ηλεκτρική τροφοδοσία και αφαιρέστε τη σακούλα περισυλλογής.
	2	Αφαιρέστε το σωλήνα αναρρόφησης και ελέγξτε τον ανεμιστήρα.
	3	Καθαρίστε τυχόν άχρηστα υλικά από τα πτερύγια του ανεμιστήρα.
	4	Εάν ο ανεμιστήρας παρουσιάζει ρωγμές ή ζημιές, μην τον χρησιμοποιήσετε - απευθυνθείτε στον τοπικό εξουσιοδοτημένο αντιπρόσωπο σέρβις της Black & Decker.

Συντήρηση

Αυτό το εργαλείο της Black & Decker έχει σχεδιαστεί έτσι ώστε να λειτουργεί για μεγάλο χρονικό διάστημα με την ελάχιστη δυνατή συντήρηση. Η αδιάλειπτη και ικανοποιητική λειτουργία του εργαλείου εξαρτάται από τη φροντίδα και τον τακτικό καθαρισμό του.

- ◆ Διατηρείτε το εργαλείο καθαρό και στεγνό.
- ◆ Αφαιρέστε τυχόν φύλλα που έχουν κολλήσει στο εσωτερικό του σωλήνα αναρρόφησης.
- ◆ Καθαρίζετε σε τακτική βάση τις εγχοπές εξαερισμού με ένα καθαρό, στεγνό πινέλο βαφής.
- ◆ Για τον καθαρισμό του εργαλείου, χρησιμοποιείτε αποκλειστικά ήπιο σαπούνι και υγρό πανί. Μην επιτρέψετε ποτέ να εισέλθει υγρό στο εσωτερικό του εργαλείου και μη βυθίσετε ποτέ οποιοδήποτε εξάρτημα του εργαλείου σε υγρό. Μη χρησιμοποιείτε λειαντικά καθαριστικά ή υγρά καθαρισμού που περιέχουν διαλυτικά.
- ◆ Το προϊόν σας χρησιμοποιεί αυτολιπαινόμενα έδρανα, επομένως δε χρειάζεται λίπανση.

Προστασία του περιβάλλοντος



Επιλεκτική περισυλλογή. Αυτό το προϊόν δεν πρέπει να απορρίπτεται μαζί με τα κοινά οικιακά απορρίμματα.

Εάν κάποια μέρα διαπιστώσετε ότι το προϊόν σας Black & Decker χρειάζεται αντικατάσταση, ή ότι δεν το χρειάζεστε άλλο, μην το απορρίψετε μαζί με τα κοινά οικιακά απορρίμματα αλλά κάντε αυτό το προϊόν διαθέσιμο για ανεξάρτητη αποκομιδή.



Η ανεξάρτητη συλλογή των μεταχειρισμένων προϊόντων και των υλικών συσκευασίας δίνει τη δυνατότητα ανακύκλωσης και επαναχρησιμοποίησης των υλικών. Με την επαναχρησιμοποίηση των ανακυκλωμένων υλικών αποτρέπεται η μόλυνση του περιβάλλοντος και μειώνεται η ζήτηση πρώτων υλών.

Οι κανονισμοί που ισχύουν στην περιοχή σας ενδέχεται να προβλέπουν την επιλεκτική περισυλλογή των ηλεκτρικών συσκευών που προέρχονται από νοικοκυριά σε κρατικές εγκαταστάσεις ή από τον έμπορο όταν αγοράσετε ένα καινούργιο προϊόν.

Η Black & Decker δίνει τη δυνατότητα ανακύκλωσης των προϊόντων της που έχουν συμπληρώσει τη διάρκεια ζωής τους. Για να χρησιμοποιήσετε αυτήν την υπηρεσία, επιστρέψτε το προϊόν σας σε οποιοδήποτε εξουσιοδοτημένο κέντρο επισκευών, όπου θα το παραλάβουν εκ μέρους μας.

Ενημερωθείτε για το πλησιέστερο εξουσιοδοτημένο κέντρο επισκευών της περιοχής σας, επικοινωνώντας με τα γραφεία της Black & Decker στη διεύθυνση που αναγράφεται στο εγχειρίδιο. Επίσης, για να πληροφορηθείτε για τα εξουσιοδοτημένα κέντρα επισκευών της Black & Decker και τους αρμόδιους των υπηρεσιών που παρέχονται μετά την πώληση, μπορείτε να ανατρέξετε στο Διαδίκτυο, στη διεύθυνση: www.2helpU.com.

Τεχνικά χαρακτηριστικά

	GW3010
Τάση	Vac 230
Ισχύς εισόδου	W 3000
Χωρητικότητα	l 35
Βάρος (φουσητήρας)	kg 3,4
Βάρος (αναρροφητήρας)	kg 4,76

Δήλωση συμμόρφωσης με την Ευρωπαϊκή Κοινότητα

GW3010

Η Black & Decker δηλώνει ότι τα προϊόντα αυτά συμμορφώνονται με τα παρακάτω πρότυπα: 98/37/EC, 2006/95/EEC, 2000/14/EC, EN55014, EN55104, EN60335

Φουσητήρας/συλλέκτης φύλλων = 11m³/min, Παράρτημα V

Τιμή χειροβραχιονικής δόνησης σύμφωνα με το πρότυπο EN ISO 5329: 12 m/s²

Ανώτατο επίπεδο ηχητικής πίεσης σύμφωνα με το πρότυπο 2000/14/EC:

Ηχητική πίεση (L_{pA}) 92 dB(A)
Ακουστική ισχύς (L_{WA}) 105 dB(A)
Εγγυημένο επίπεδο (L_{WA}) 107 dB(A)

Ο κάτωτι υπογεγραμμένος είναι υπεύθυνος για την κατάρτιση του τεχνικού φακέλου και δηλώνει τα παρόντα εκ μέρους της Black & Decker.



Kevin Hewitt
Διευθυντής Εξυπηρέτησης Πελατών
Spennymoor, County Durham DL16 6JG,
Ηνωμένο Βασίλειο
08-08-2008

Πληροφορίες σχετικά με τη Σχεδίαση και το Δίπλωμα Ευρεσιτεχνίας

Αριθμοί ευρωπαϊκής ευρεσιτεχνίας: EP 0 723 758 B, EP 0 723 759 B και EP 1 430 825 B

Αριθμός ευρωπαϊκού διπλώματος ευρεσιτεχνίας: EP 1 442 653 A

Αριθμοί κατάθεσης σχεδίων EC: 69750-0002, 69760-0003 και 712922-0001

Αριθμοί αμερικανικής ευρεσιτεχνίας: 5673457, 5604954 και 7266860

Αριθμός αμερικανικού διπλώματος ευρεσιτεχνίας: 2005/0177973

Αριθμός κατάθεσης σχεδίου ευρεσιτεχνίας στις ΗΠΑ: D498885

Εγγύηση

Η Black & Decker είναι σίγουρη για την ποιότητα των προϊόντων της και παρέχει σημαντική εγγύηση. Η παρούσα γραπτή εγγύηση αποτελεί πρόσθετο δικαίωμά σας και δεν ζημιώνει τα νόμιμα δικαιώματά σας. Η εγγύηση ισχύει εντός της επικράτειας των Κρατών Μελών της Ευρωπαϊκής Ένωσης και της Ευρωπαϊκής Ζώνης Ελευθέρων Συναλλαγών.

Σε περίπτωση που κάποιο προϊόν της Black & Decker παρουσιάσει βλάβη εξαιτίας ελαττωματικών υλικών, ποιότητας εργασίας ή έλλειψης συμφωνίας με τις προδιαγραφές εντός 24 μηνών από την ημερομηνία αγοράς, η Black & Decker εγγυάται την αντικατάσταση των ελαττωματικών τμημάτων, την επισκευή προϊόντων που έχουν υποστεί εύλογη φθορά λόγω χρήσης ή την αντικατάσταση των προϊόντων προκειμένου να εξασφαλιστεί την ελάχιστη ενόχληση στους πελάτες της, εκτός εάν:

- ♦ Το προϊόν έχει χρησιμοποιηθεί σε εργασιακό, επαγγελματικό περιβάλλον ή αν έχει νοικιαστεί.
- ♦ Έχει γίνει εσφαλμένη χρήση του προϊόντος ή έχει παραμεληθεί.
- ♦ Το προϊόν έχει υποστεί βλάβη από άλλα αντικείμενα, από ουσίες ή λόγω ατυχήματος.
- ♦ Έχει γίνει προσπάθεια επισκευής από μη εξουσιοδοτημένα κέντρα επισκευών ή από προσωπικό που δεν ανήκει στο προσωπικό της Black & Decker.

Για να ισχύσει η εγγύηση, πρέπει να υποβάλετε απόδειξη αγοράς στον πωλητή ή το εξουσιοδοτημένο κέντρο επισκευών. Ενημερωθείτε για το πλησιέστερο εξουσιοδοτημένο κέντρο επισκευών της περιοχής σας, επικοινωνώντας με τα γραφεία της Black & Decker στη διεύθυνση που αναγράφεται στο εγχειρίδιο. Επίσης, για να πληροφορηθείτε για τα εξουσιοδοτημένα κέντρα επισκευών της Black & Decker και τους αρμόδιους των υπηρεσιών που παρέχονται μετά την πώληση, μπορείτε να ανατρέξετε στο Διαδίκτυο, στη διεύθυνση:

www.2helpU.com

Παρακαλούμε επισκεφθείτε την ιστοσελίδα μας www.blackanddecker.eu για να καταχωρήσετε το νέο σας προϊόν Black & Decker και για να ενημερώνεστε για τα νέα προϊόντα και τις ειδικές προσφορές. Περισσότερες πληροφορίες σχετικά με τη μάρκα Black & Decker και τη σειρά των προϊόντων μας θα βρείτε στη διεύθυνση www.blackanddecker.eu.

België/Belgique	Black & Decker (Belgium) N.V. Nieuwlandiaan 321 3200 Aarschot	Tel. Fax	016 68 91 00 016 68 91 11
Danmark	Black & Decker Sluseholmen 2-4, 2450 København SV Internet: www.blackanddecker.dk	Tel. Fax	70 20 15 10 70 22 49 10
Deutschland	Black & Decker GmbH Black & Decker Str. 40, D - 65510 Idstein	Tel. Fax	06126/21 - 0 06126/21 29 80
Ελλάδα	Black & Decker (Ελλάς) A.E. Στράβωνος 7 & Λεωφ. Βουλιαγμένης 159 166 74 Γλυφάδα - Αθήνα	Τηλ. Φαξ www.blackanddecker.eu	210 8981616 210 8983285
España	Black & Decker Ibérica, S.C.A. Parc de Negocis "Mas Blau" Edificio Muntadas, c/Bergadá, 1, Of. A6 08820 El Prat de Llobregat (Barcelona)	Tel. Fax	934 797 400 934 797 419
France	Black & Decker (France) S.A.S. B.P. 21, 69571 Dardilly Cédex	Tel. Fax	04 72 20 39 20 04 72 20 39 00
Helvetia	ROFO AG Gewerbezone Seeblick 3213 Kleinbösingen	Tel. Fax	026-6749391 026-6749394
Italia	Black & Decker Italia SpA Viale Elvezia 2 20052 Monza (MI)	Tel. Fax Numero verde	039-23871 039-2387592/2387594 800-213935
Nederland	Black & Decker Benelux Joulehof 12, 4622 RG Bergen op Zoom	Tel. Fax	0164 - 283000 0164 - 283100
Norge	Black & Decker (Norge) A/S Postboks 4814, Nydalen, 0422 Oslo Internet: www.blackanddecker.no	Tlf. Fax	22 90 99 00 22 90 99 01
Österreich	Black & Decker Vertriebsges.m.b.H Oberlaaerstraße 246, A1100 Wien	Tel. Fax	01 66116-0 01 66116-14
Portugal	Black & Decker Rua Egas Moniz 173 S. João do Estoril 2766-651 Estoril	Tel. Fax	214667500 214667580
Suomi	Black & Decker Oy Keilasatama 3, 02150 Espoo Black & Decker Oy, Kägelhamnen 3, 02150 Esbo	Puh. Faksi Tel. Fax	010 400 430 (09) 2510 7100 010 400 430 (09) 2510 7100
Sverige	Black & Decker AB Fabriksg. 7, 412 50 Göteborg	Tel. Fax	031-68 60 60 031-68 60 80
United Kingdom	Black & Decker 210 Bath Road Slough, Berkshire SL1 3YD	Tel. Fax Helpline	01753 511234 01753 551155 01753 574277
Middle East & Africa	Black & Decker (Overseas) A.G. PB 5420, Dubai, United Arab Emirates	Tel. Fax	+971 4 2826464 +971 4 2826466

Dealer address
Händleradresse
Cachet du revendeur
Indirizzo del rivenditore
Adres van de dealer
Dirección del detallista
Morada do revendedor
Återförsäljarens adress
Forhandlerens adresse
Forhandler adresse
Jälleenmyyjän osoite
Διεύθυνση αντιπροσώπου

◆ Name ◆ Name ◆ Nom ◆ Nome
◆ Naam ◆ Nombre ◆ Nome ◆ Namn
◆ Navn ◆ Nimi ◆ Διεύθυνση:

◆ Address ◆ Adresse ◆ Indirizzo ◆
Adres ◆ Dirección ◆ Morada ◆ Address ◆
Adresse ◆ Adresse ◆ Osoite ◆ Διεύθυνση:

◆ Town ◆ Ort ◆ Ville ◆ Città ◆ Plaats
◆ Ciudad ◆ Localidade ◆ Ort ◆ By
◆ Paikkakunta ◆ Πόλη:

◆ Postal code ◆ Postleitzahl ◆ Code postal
◆ Codice postale ◆ Postcode
◆ Código ◆ Código postal ◆ Postnr.
◆ Postnr. ◆ Postnr. ◆ Postnummero
◆ Κωδικός

◆ Is this tool a gift? ◆ Ist dieses Gerät ein
Geschenk? ◆ S'agit-il d'un cadeau? ◆ Si tratta
di un regalo? ◆ Kreeg u de machine als cadeau?
◆ ¿Ha recibido usted esta herramienta como
regalo? ◆ Recebeu esta ferramenta como
presente? ◆ Är verktyget en gåva?
◆ Er verktyget en gave? ◆ Er verktojet en
gave? ◆ Onko kone lahja? ◆
◆ Το εργαλείο είναι δώρο

Yes ◆ Ja ◆ Oui ◆ Si ◆ Ja ◆ Si
◆ Sim ◆ Ja ◆ Ja ◆ Kyllä ◆ Nai

No ◆ Nein ◆ Non ◆ No ◆ Nee
◆ No ◆ Não ◆ Nej ◆ Nei ◆ Nej
◆ Ei ◆ Oyi

◆ Is this tool your first purchase? ◆ Ist dieses
Gerät ein Erstkauf? ◆ Est-ce un 1er achat?
◆ Questo prodotto è il suo primo acquisto?
◆ Is deze machine uw eerste aankoop?
◆ ¿Es esta herramienta la primera de este tipo?
◆ Esta herramienta é a primeira compra?
◆ Är detta ditt första B&D-verktyg? ◆ Er dette
ditt første B&D verktoy? ◆ Er dette ditt første
B&D verktoej? ◆ Onko tämä ensimmäinen B&D-
koneesi? ◆ Είναι το εργαλείο αυτό η πρώτη
σας αγορά? ◆

Date of purchase
Kaufdatum
Date d'achat
Data d'acquisto
Aankoopdatum
Fecha de compra
Data de compra
Inkõpsdatum
Imkõpsdato
Indkøbsdato
Ostopätivä
Ημερομηνία αγοράς

Yes ◆ Ja ◆ Oui ◆ Si ◆ Ja ◆ Si
◆ Sim ◆ Ja ◆ Ja ◆ Kyllä ◆ Nai

No ◆ Nein ◆ Non ◆ No ◆ Nee
◆ No ◆ Não ◆ Nej ◆ Nei ◆ Nej
◆ Ei ◆ Oyi

◆ Dealer address ◆ Händleradresse
◆ Cachet du revendeur ◆ Indirizzo del
rivenditore ◆ Adres van de dealer
◆ Dirección del detallista ◆ Morada do
revendedor ◆ Återförsäljarens adress
◆ Forhandlerens adresse ◆ Forhandler adresse
◆ Jälleenmyyjän osoite
◆ Διεύθυνση αντιπροσώπου

Cat. no.:



◆ Data protection act: Tick the box if you prefer
not to receive further information.

◆ Bitte ankreuzen, falls Sie keine weiteren
Informationen erhalten möchten. ◆ Si vous ne
souhaitez pas recevoir d'informations, cochez
cette case. ◆ Barrate la casella se non
desiderate ricevere informazioni.
◆ A.u.b. dit vakje aankruisen indien u geen
informatie wenst te ontvangen.

◆ Señale en la casilla sino quiere recibir
información. ◆ Por favor, assinale com uma
cruz se não desejar receber informação.
◆ Vänligen kryssa för i rutan om Ni inte vill ha
information.

◆ Vennligst kryss av dersom du ikke ønsker
informasjon. ◆ Venligst sæt kryds i ruden
såfremt De ikke måtte ønske at modtage
information.

◆ Merkitää rasti ruutuun, mikäli ette halua
vastaaottaa informaatiota.
◆ Παράκαλεστε να σημειώσετε εάν δεν θέλετε
να प्राप्तείτε πληροφορίες.

- ◆ GUARANTEE CARD
- ◆ GARANTIEKAART
- ◆ GARANTI KORT
- ◆ GARANTIEKARTE
- ◆ TARJETA DE GARANTIA
- ◆ GARANTI KORT
- ◆ CARTE DE GARANTIE
- ◆ CARTÃO DE GARANTIA
- ◆ TAKUKORTTI
- ◆ TAGLIANDO DI GARANZIA
- ◆ GARANTIBEVIS
- ◆ KAPTA EFTYHSHZ



English	Please complete this section immediately after the purchase of your tool and send it to Black & Decker in your country.	Português	Por favor, recorte esta parte, coloque-a num envelope selado e endereçado e envie-o logo após a compra do seu produto para o endereço da Black & Decker do seu país.
Deutsch	Bitte schneiden Sie diesen Abschnitt ab, stecken ihn in einen frankierten Umschlag und schicken ihn an die Black & Decker Adresse Ihres Landes.	Svenska	Var vänlig klipp ur denna del och sänd den i ett frankerat kuvert till Black & Deckers adress i Ditt land.
Français	Decoupez cette partie et envoyez-la sous enveloppe timbrée à l'adresse de Black & Decker dans votre pays, ceci immédiatement après votre achat.	Norsk	Venligst klipp ut denne delen umiddelbart etter du har pakket ut ditt produkt og legg det i en adressert konvolutt til Black & Decker (Norge) AS.
Italiano	Per favore ritagliate questa parte, inseritela in una busta con francobollo e spediteola subito dopo l'acquisto del prodotto all'indirizzo della Black & Decker nella vostra nazione.	Dansk	Venligst klip denne del ud og send frankeret til Black & Decker i dit land.
Nederlands	Knip dit gedeelte uit en zend het direct na aankoop in een gefrankeerde, geadresseerde envelop naar het adres van Black & Decker in uw land.	Suomi	Leikkää irit tämä osa, laita se kuoreen ja postita kuori paikalliseseen Black & Decker osoitteeseen.
Español	Después de haber comprado su herramienta envíe usted, por favor, esta tarjeta a la central de Black & Decker en su país.	Ελληνικά	Παράκατω κόψτε αυτό το κομμάτι και τοποθετήστε το αμέσως μετά την αγορά του προϊόντος σας στην διεύθυνση της Black & Decker στην Ελλάδα.