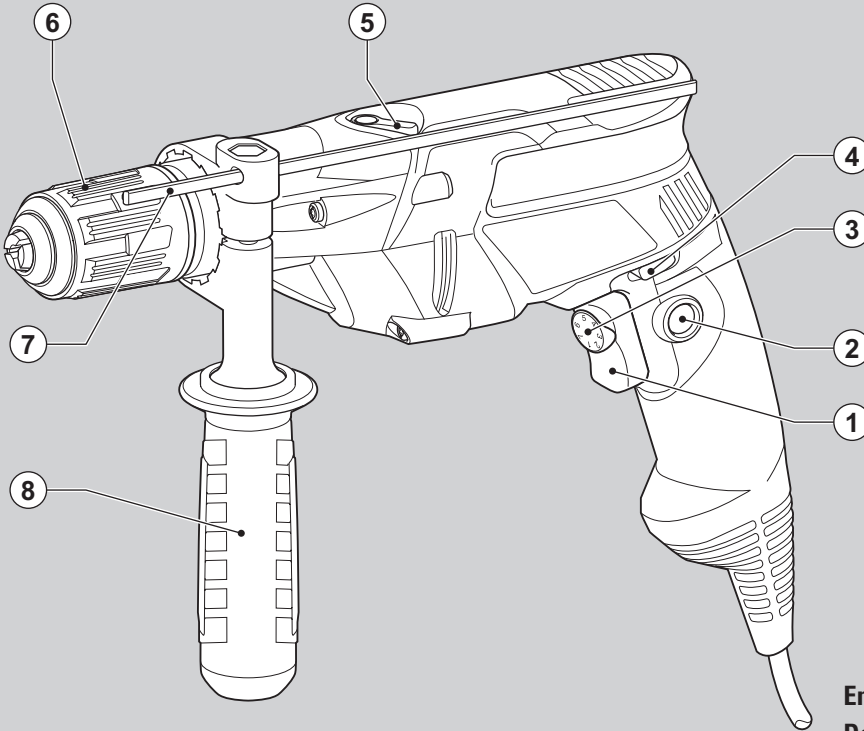


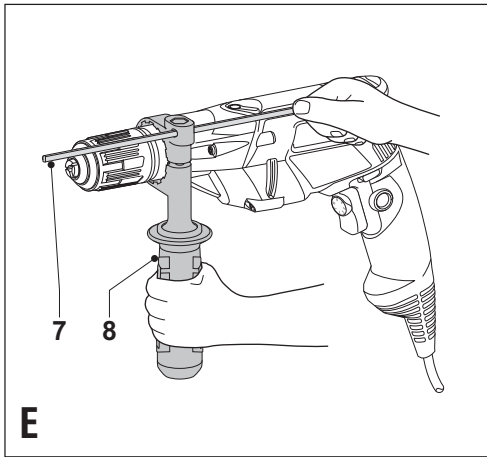
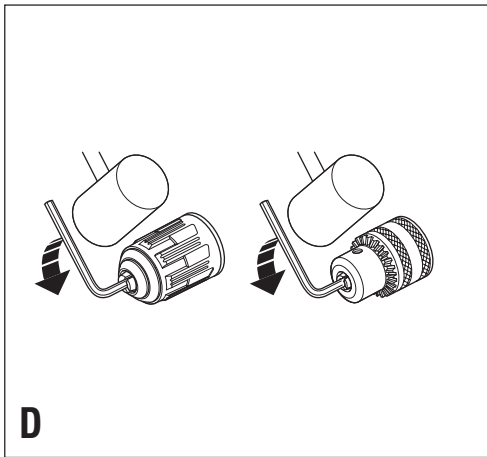
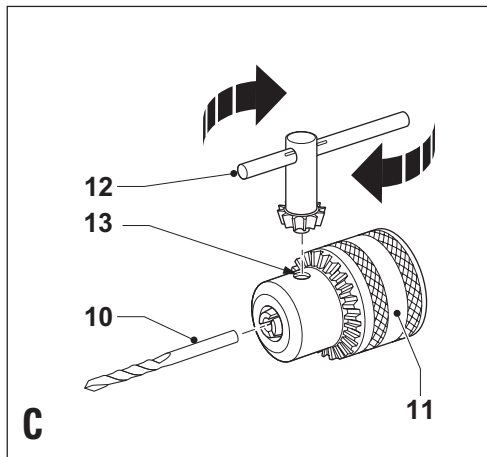
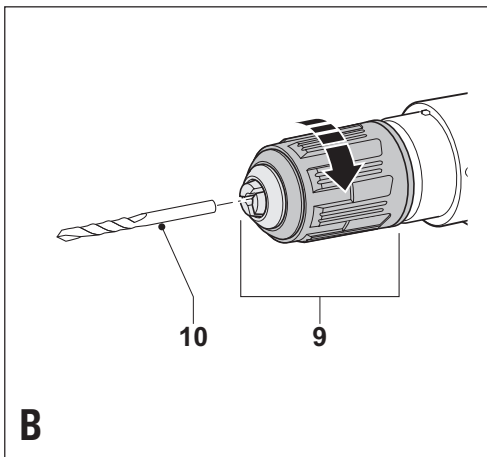
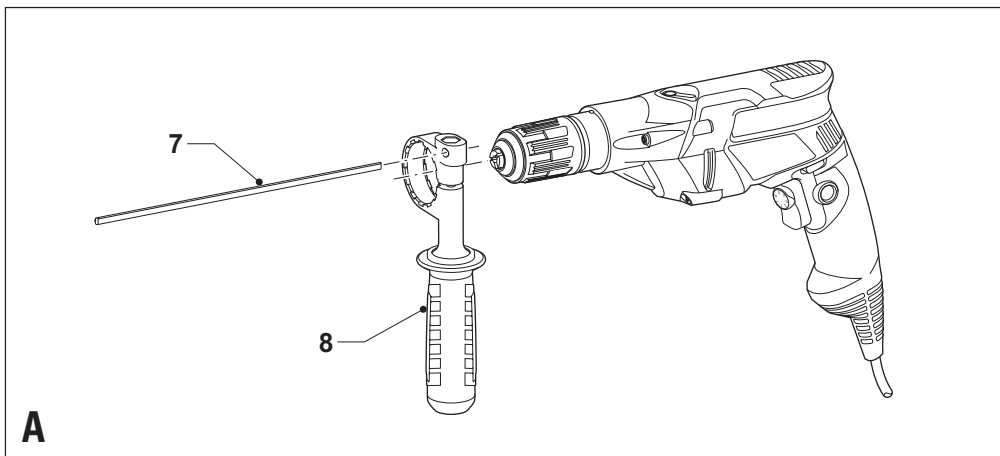


BLACK & DECKER®

www.blackanddecker.com



English	3
Deutsch	7
Français	12
Italiano	16
Nederlands	20
Español	24
Português	29
Svenska	33
Norsk	37
Dansk	41
Suomi	45
Ελληνικά	49



Intended use

Your Black & Decker hammer drill has been designed for drilling in wood, metal, plastics, and masonry as well as for screwdriving purposes.

This tool is intended for consumer use only.

General safety rules

Warning! Read all instructions. Failure to follow all instructions listed below may result in electric shock, fire and/or serious injury. The term “power tool” in all of the warnings listed below refers to your mains operated (corded) power tool or battery operated (cordless) power tool.

SAVE THESE INSTRUCTIONS.

1. Work area

- a. **Keep work area clean and well lit.** Cluttered and dark areas invite accidents.
- b. **Do not operate power tools in explosive atmospheres, such as in the presence of flammable liquids, gases or dust.** Power tools create sparks which may ignite the dust or fumes.
- c. **Keep children and bystanders away while operating a power tool.** Distractions can cause you to lose control.

2. Electrical safety

- a. **Power tool plugs must match the outlet. Never modify the plug in any way. Do not use any adapter plugs with earthed (grounded) power tools.** Unmodified plugs and matching outlets will reduce risk of electric shock.
- b. **Avoid body contact with earthed or grounded surfaces such as pipes, radiators, ranges and refrigerators.** There is an increased risk of electric shock if your body is earthed or grounded.
- c. **Do not expose power tools to rain or wet conditions.** Water entering a power tool will increase the risk of electric shock.
- d. **Do not abuse the cord. Never use the cord for carrying, pulling or unplugging the power tool. Keep cord away from heat, oil, sharp edges or moving parts.** Damaged or entangled cords increase the risk of electric shock.
- e. **When operating a power tool outdoors, use an extension cord suitable for outdoor use.** Use of a cord suitable for outdoor use reduces the risk of electric shock.

3. Personal safety

- a. **Stay alert, watch what you are doing and use common sense when operating a power tool. Do not use a power tool while you are tired or under the influence of drugs, alcohol or medication.** A moment of inattention while operating power tools may result in serious personal injury.

b. Use safety equipment. Always wear eye protection.

Safety equipment such as dust mask, non-skid safety shoes, hard hat, or hearing protection used for appropriate conditions will reduce personal injuries.

- c. **Avoid accidental starting. Ensure the switch is in the off position before plugging in.** Carrying power tools with your finger on the switch or plugging in power tools that have the switch on invites accidents.
- d. **Remove any adjusting key or wrench before turning the power tool on.** A wrench or a key left attached to a rotating part of the power tool may result in personal injury.
- e. **Do not overreach. Keep proper footing and balance at all times.** This enables better control of the power tool in unexpected situations.
- f. **Dress properly. Do not wear loose clothing or jewellery. Keep your hair, clothing and gloves away from moving parts.** Loose clothes, jewellery or long hair can be caught in moving parts.
- g. **If devices are provided for the connection of dust extraction and collection facilities, ensure these are connected and properly used.** Use of these devices can reduce dust related hazards.

4. Power tool use and care

- a. **Do not force the power tool. Use the correct power tool for your application.** The correct power tool will do the job better and safer at the rate for which it was designed.
- b. **Do not use the power tool if the switch does not turn it on and off.** Any power tool that cannot be controlled with the switch is dangerous and must be repaired.
- c. **Disconnect the plug from the power source before making any adjustments, changing accessories, or storing power tools.** Such preventive safety measures reduce the risk of starting the power tool accidentally.
- d. **Store idle power tools out of the reach of children and do not allow persons unfamiliar with the power tool or these instructions to operate the power tool.** Power tools are dangerous in the hands of untrained users.
- e. **Maintain power tools. Check for misalignment or binding of moving parts, breakage of parts and any other condition that may affect the power tools operation. If damaged, have the power tool repaired before use.** Many accidents are caused by poorly maintained power tools.
- f. **Keep cutting tools sharp and clean.** Properly maintained cutting tools with sharp cutting edges are less likely to bind and are easier to control.

- g. Use the power tool, accessories and tool bits etc., in accordance with these instructions and in the manner intended for the particular type of power tool, taking into account the working conditions and the work to be performed.** Use of the power tool for operations different from those intended could result in a hazardous situation.

5. Service

- a. Have your power tool serviced by a qualified repair person using only identical replacement parts.** This will ensure that the safety of the power tool is maintained.

Additional safety instructions for impact drills

- ◆ **Wear ear protectors with impact drills.** Exposure to noise can cause hearing loss.
- ◆ **Use auxiliary handles supplied with the tool.** Loss of control can cause personal injury.

Electrical safety



This tool is double insulated; therefore no earth wire is required. Always check that the power supply corresponds to the voltage on the rating plate.

- ◆ This appliance is not intended for use by young or infirm persons without supervision. Children must be supervised to ensure they do not play with the appliance.
- ◆ If the supply cord is damaged, it must be replaced by the manufacturer or an authorised Black & Decker Service Centre in order to avoid a hazard.

Features

This tool includes some or all of the following features.

1. Variable speed switch
2. Lock-on button
3. Variable speed control switch
4. Forward/reverse slider
5. Drilling mode selector
6. Chuck
7. Depth stop
8. Side handle

Assembly

Warning! Before assembly, make sure that the tool is switched off and unplugged.

Fitting the side handle and depth stop (fig. A)

- ◆ Turn the grip counterclockwise until you can slide the side handle (8) onto the front of the tool as shown.
- ◆ Rotate the side handle into the desired position.
- ◆ Insert the depth stop (7) into the mounting hole as shown.

- ◆ Set the drilling depth as described below.
- ◆ Tighten the side handle by turning the grip clockwise.

Fitting a drill bit or screwdriver bit (fig. B & C)

Keyless chuck with spindle lock (fig. B)

- ◆ Open the chuck by turning the sleeve (9) counterclockwise.
- ◆ Insert the bit shaft (10) into the chuck.
- ◆ Tighten the chuck by turning the sleeve clockwise.

Keyed chuck (fig. C)

- ◆ Open the chuck by turning the sleeve (11) counterclockwise.
- ◆ Insert the bit shaft (10) into the chuck.
- ◆ Insert the chuck key (12) into each hole (13) in the side of the chuck and turn clockwise until tight.

Removing and refitting the chuck (fig. D)

- ◆ Open the chuck as far as possible.
- ◆ Remove the chuck retaining screw, located in the chuck, by turning it clockwise using a screwdriver.
- ◆ Tighten an Allen key into the chuck and strike it with a hammer as shown.
- ◆ Remove the Allen key.
- ◆ Remove the chuck by turning it counterclockwise.
- ◆ To refit the chuck, screw it onto the spindle and secure it with the chuck retaining screw.

Use

Warning! Let the tool work at its own pace. Do not overload.

Warning! Before drilling into walls, floors or ceilings, check for the location of wiring and pipes.

Selecting the direction of rotation

For drilling and for tightening screws, use forward (clockwise) rotation. For loosening screws or removing a jammed drill bit, use reverse (counterclockwise) rotation.

- ◆ To select forward rotation, push the forward/reverse slider (4) to the left.
- ◆ To select reverse rotation, push the forward/reverse slider to the right.

Warning! Never change the direction of rotation while the motor is running.

Selecting the drilling mode

- ◆ For drilling in masonry, set the drilling mode selector (5) to the **T** position.
- ◆ For drilling in other materials and for screwdriving, set the drilling mode selector (5) to the **1** position.

Setting the drilling depth (fig. E)

- ◆ Slacken the side handle (8) by turning the grip counterclockwise.
- ◆ Set the depth stop (7) to the desired position. The maximum drilling depth is equal to the distance between the tip of the drill bit and the front end of the depth stop.
- ◆ Tighten the side handle by turning the grip clockwise.

Switching on and off

- ◆ To switch the tool on, press the variable speed switch (1). The tool speed depends on how far you press the switch. If the tool has a variable speed control knob (3), set it to the required speed range. As a general rule, use low speeds for large diameter drill bits and high speeds for smaller diameter drill bits.
- ◆ For continuous operation, press the lock-on button (2) and release the variable speed switch. This option is available only at full speed or at any speed preset with the variable speed control knob (3). This option does not work in reverse rotation.
- ◆ To switch the tool off, release the variable speed switch. To switch the tool off when in continuous operation, press the variable speed switch once more and release it.

Accessories

The performance of your tool depends on the accessory used. Black & Decker and Piranha accessories are engineered to high quality standards and designed to enhance the performance of your tool. By using these accessories you will get the very best from your tool.

Maintenance

Your tool has been designed to operate over a long period of time with a minimum of maintenance. Continuous satisfactory operation depends upon proper tool care and regular cleaning.

Warning! Before performing any maintenance, switch off and unplug the tool.

- ◆ Regularly clean the ventilation slots in your tool using a soft brush or dry cloth.
- ◆ Regularly clean the motor housing using a damp cloth. Do not use any abrasive or solvent-based cleaner.

Mains plug replacement (U.K. & Ireland only)

If a new mains plug needs to be fitted:

- ◆ Safely dispose of the old plug.
- ◆ Connect the brown lead to the live terminal in the new plug.
- ◆ Connect the blue lead to the neutral terminal.

Warning! No connection is to be made to the earth terminal. Follow the fitting instructions supplied with good quality plugs. Recommended fuse: 5 A.

Protecting the environment



Separate collection. This product must not be disposed of with normal household waste.

Should you find one day that your Black & Decker product needs replacement, or if it is of no further use to you, do not dispose of it with household waste. Make this product available for separate collection.



Separate collection of used products and packaging allows materials to be recycled and used again. Re-use of recycled materials helps prevent environmental pollution and reduces the demand for raw materials.

Local regulations may provide for separate collection of electrical products from the household, at municipal waste sites or by the retailer when you purchase a new product.

Black & Decker provides a facility for the collection and recycling of Black & Decker products once they have reached the end of their working life. To take advantage of this service please return your product to any authorised repair agent who will collect them on our behalf.

You can check the location of your nearest authorised repair agent by contacting your local Black & Decker office at the address indicated in this manual. Alternatively, a list of authorised Black & Decker repair agents and full details of our after-sales service and contacts are available on the Internet at: www.2helpU.com

Technical data

		KR703	KR704	KR705
Input voltage	V _{AC}	230	230	230
Power input	W	710	710	710
No-load speed	min ⁻¹	0-3,100	0-3,100	0-3,100
Max drilling capacity				
Steel/concrete	mm	13/16	13/16	13/16
Wood	mm	32	32	32
Weight	kg	2.11	2.11	2.11

		KR753	KR754	KR755
Input voltage	V _{AC}	230	230	230
Power input	W	750	750	750
No-load speed	min ⁻¹	0-3,100	0-3,100	0-3,100
Max drilling capacity				
Steel/concrete	mm	13/16	13/16	13/16
Wood	mm	32	32	32
Weight	kg	2.11	2.11	2.11


EC declaration of conformity

KR703/KR704/KR705/KR753/KR754/KR755

Black & Decker declares that these products conform to:
98/37/EC, 89/336/EEC, 73/23/EEC, EN 55014, EN 60745,
EN 61000

L_{pA} (sound pressure) 101 dB(A), L_{WA} (acoustic power) 112 dB(A),
hand/arm weighted vibration 15.4 m/s²

K_{pA} (sound pressure uncertainty) 3 dB(A),
 K_{WA} (acoustic power uncertainty) 3 dB(A)



Kevin Hewitt
Director of Consumer Engineering
Spennymoor, County Durham DL16 6JG,
United Kingdom
1-4-2006

Please visit our website www.blackanddecker.co.uk to register your new Black & Decker product and to be kept up to date on new products and special offers. Further information on the Black & Decker brand and our range of products is available at www.blackanddecker.co.uk

Guarantee

Black & Decker is confident of the quality of its products and offers an outstanding guarantee. This guarantee statement is in addition to and in no way prejudices your statutory rights. The guarantee is valid within the territories of the Member States of the European Union and the European Free Trade Area.

If a Black & Decker product becomes defective due to faulty materials, workmanship or lack of conformity, within 24 months from the date of purchase, Black & Decker guarantees to replace defective parts, repair products subjected to fair wear and tear or replace such products to ensure minimum inconvenience to the customer unless:

- ◆ The product has been used for trade, professional or hire purposes;
- ◆ The product has been subjected to misuse or neglect;
- ◆ The product has sustained damage through foreign objects, substances or accidents;
- ◆ Repairs have been attempted by persons other than authorised repair agents or Black & Decker service staff.

To claim on the guarantee, you will need to submit proof of purchase to the seller or an authorised repair agent. You can check the location of your nearest authorised repair agent by contacting your local Black & Decker office at the address indicated in this manual. Alternatively, a list of authorised Black & Decker repair agents and full details of our after-sales service and contacts are available on the Internet at:

www.2helpU.com

Bestimmungsgemäße Verwendung

Ihre Black & Decker Schlagbohrmaschine wurde zum Bohren in Holz, Metall, Kunststoff und Mauerwerk sowie zum Schrauben entwickelt.

Dieses Gerät ist nicht für den gewerblichen Einsatz vorgesehen.

Allgemeine Sicherheitsregeln

Achtung! Sämtliche Anweisungen sind zu lesen. Die Nichteinhaltung der nachstehend aufgeführten Anweisungen kann elektrischen Schlag, Brand und/oder schwere Verletzungen verursachen. Der nachfolgend verwendete Begriff "Gerät" bezieht sich auf netzbetriebene Geräte (mit Netzkabel) und auf akkubetriebene Geräte (ohne Netzkabel).

BEWAHREN SIE DIESE ANWEISUNGEN AUF.

1. Arbeitsbereich

- a. **Halten Sie Ihren Arbeitsbereich sauber und gut ausgeleuchtet.** Unordnung und dunkle Arbeitsbereiche können zu Unfällen führen.
- b. **Arbeiten Sie mit Geräten nicht in explosionsgefährdeter Umgebung, in der sich brennbare Flüssigkeiten, Gase oder Stäube befinden.** Geräte erzeugen Funken, die den Staub oder die Dämpfe entzünden können.
- c. **Halten Sie Kinder und andere Personen während der Benutzung des Gerätes fern.** Bei Ablenkung können Sie die Kontrolle verlieren.

2. Elektrische Sicherheit

- a. **Der Anschlußstecker des Gerätes muß in die Steckdose passen. Der Stecker darf in keiner Weise verändert werden. Verwenden Sie keine Adapterstecker gemeinsam mit schutzgeerdeten Geräten.** Unveränderte Stecker und passende Steckdosen verringern das Risiko eines elektrischen Schlages.
- b. **Vermeiden Sie Körperkontakt mit geerdeten Oberflächen von Rohren, Heizungen, Herden und Kühlschränken.** Es besteht ein erhöhtes Risiko eines elektrischen Schlags, wenn Ihr Körper geerdet ist.
- c. **Halten Sie Geräte von Regen und Nässe fern.** Das Eindringen von Wasser in ein Gerät erhöht das Risiko eines elektrischen Schlages.
- d. **Missbrauchen Sie nicht das Kabel. Verwenden Sie das Kabel niemals zum Tragen, Ziehen oder Trennen des Gerätes vom Netz. Halten Sie das Kabel fern von Hitze, Öl, scharfen Kanten oder sich bewegenden Teilen.** Beschädigte oder verwickelte Kabel erhöhen das Risiko eines elektrischen Schlages.
- e. **Wenn Sie mit einem Gerät im Freien arbeiten, verwenden Sie nur Verlängerungskabel, die auch für den Außenbereich zugelassen sind.** Die Verwendung eines für den Außenbereich geeigneten Verlängerungskabels verringert das Risiko eines elektrischen Schlages.

3. Sicherheit von Personen

- a. **Seien Sie aufmerksam, achten Sie darauf, was Sie tun, und gehen Sie vernünftig mit einem Gerät um. Benutzen Sie das Gerät nicht, wenn Sie müde sind oder unter dem Einfluß von Drogen, Alkohol oder Medikamenten stehen.** Ein Moment der Unachtsamkeit beim Gebrauch von Geräten kann zu ernsthaften Verletzungen führen.
 - b. **Verwenden Sie Schutzausrüstung. Tragen Sie stets einen Augenschutz.** Schutzausrüstung wie Staubmaske, rutschfeste Sicherheitsschuhe, Schutzhelm oder Gehörschutz, je nach Art und Einsatz des Gerätes, verringert das Risiko von Verletzungen.
 - c. **Vermeiden Sie eine unbeabsichtigte Inbetriebnahme. Stellen Sie sicher, daß sich der Schalter in der Aus-Stellung befindet, bevor das Gerät mit dem Netz verbunden wird.** Durch das Tragen des Gerätes mit dem Finger am Schalter oder durch das Verbinden eingeschalteter Geräte werden Unfälle provoziert.
 - d. **Entfernen Sie Einstellgeräte oder Schraubenschlüssel, bevor Sie das Gerät einschalten.** Ein Gerät oder Schlüssel, der sich in einem drehenden Teil befindet, kann zu Verletzungen führen.
 - e. **Nicht zu weit nach vorne strecken! Achten Sie auf einen sicheren Stand, um in jeder Arbeitsposition das Gleichgewicht zu halten.** Dadurch können Sie das Gerät in unerwarteten Situationen besser unter Kontrolle halten.
 - f. **Tragen Sie geeignete Kleidung. Tragen Sie keine weite Kleidung oder Schmuck. Halten Sie Haare, Kleidung und Handschuhe fern von sich bewegenden Teilen.** Lockere Kleidung, Schmuck oder lange Haare können von sich bewegenden Teilen erfaßt werden.
 - g. **Falls Staubabsaug- und -auffangvorrichtungen vorhanden sind, vergewissern Sie sich, daß diese angeschlossen sind und richtig verwendet werden.** Das Verwenden dieser Einrichtungen verringert Gefährdungen durch Staub.
- ### 4. Gebrauch und Pflege von Geräten
- a. **Überlasten Sie das Gerät nicht. Verwenden Sie für Ihre Arbeit das dafür bestimmte Gerät.** Mit dem passenden Gerät arbeiten Sie besser und sicherer im angegebenen Leistungsbereich.
 - b. **Benutzen Sie kein Gerät, dessen Schalter defekt ist.** Ein Gerät, das sich nicht mehr ein- oder ausschalten läßt, ist gefährlich und muß repariert werden.
 - c. **Ziehen Sie den Stecker aus der Steckdose, bevor Sie Einstellungen vornehmen, Zubehörteile wechseln oder das Gerät weglegen.** Diese Vorsichtsmaßnahme verhindert den unbeabsichtigten Start des Gerätes.

- d. Bewahren Sie unbenutzte Geräte außerhalb der Reichweite von Kindern auf. Lassen Sie Geräte nicht von Personen benutzen, die damit nicht vertraut sind oder diese Anweisungen nicht gelesen haben.** Geräte sind gefährlich, wenn Sie von unerfahrenen Personen benutzt werden.
- e. Halten Sie Geräte in einem einwandfreien Zustand. Kontrollieren Sie, ob bewegliche Teile falsch ausgerichtet sind oder klemmen und ob Teile gebrochen oder so beschädigt sind, daß die Funktion des Gerätes beeinträchtigt ist. Lassen Sie beschädigte Geräte vor dem Gebrauch reparieren.** Viele Unfälle haben ihre Ursache in schlecht gewarteten Geräten.
- f. Halten Sie Schneidgeräte scharf und sauber.** Sorgfältig gepflegte Schneidgeräte mit scharfen Schneidkanten verkleben sich weniger und sind leichter zu führen.
- g. Verwenden Sie Gerät, Zubehör, Einsatz-Bits, usw. entsprechend diesen Anweisungen und so, wie es für diesen speziellen Gerätetyp vorgeschrieben ist. Berücksichtigen Sie dabei die Arbeitsbedingungen und die auszuführende Arbeit.** Der Gebrauch von Geräten für andere als die vorgesehenen Anwendungen kann zu gefährlichen Situationen führen.
- 5. Service**
- a. Lassen Sie Ihr Gerät nur von qualifiziertem Fachpersonal und nur mit Original-Ersatzteilen reparieren.** Damit wird gewährleistet, daß die Sicherheit des Gerätes erhalten bleibt.

Zusätzliche Sicherheitsanweisungen für Schlagbohrer

- ◆ **Tragen Sie bei Schlagbohrmaschinen einen Gehörschutz.** Lärm kann Gehörschäden verursachen.
- ◆ **Verwenden Sie die im Lieferumfang des Werkzeugs enthaltenen Zusatzhandgriffe.** Ein Kontrollverlust kann Personenverletzungen verursachen.

Elektrische Sicherheit



Dieses Gerät ist schutzisoliert, daher ist keine Erdleitung erforderlich. Überprüfen Sie immer, ob die Netzspannung der auf dem Typenschild des Geräts angegebenen Spannung entspricht.

- ◆ Dieses Gerät darf ohne Aufsicht nicht von jungen oder schwachen Personen verwendet werden. Kinder müssen beaufsichtigt werden, um sicherzustellen, daß sie nicht mit dem Gerät spielen.

- ◆ Falls das Netzkabel beschädigt ist, so ist es vom Hersteller oder einem autorisierten Black & Decker Service Center auszutauschen, um Gefahren vorzubeugen.

Merkmale

Dieses Gerät weist einige oder alle der folgenden Merkmale auf.

1. Drehzahl-Regelschalter
2. Ausschaltsperr
3. Drehzahl-Vorwahlschalter
4. Rechts-/Linkslaufschalter
5. Betriebsartenschalter
6. Bohrfutter
7. Tiefenanschlag
8. Seitenhandgriff

Montage

Achtung! Vergewissern Sie sich vor der Montage, daß das Gerät ausgeschaltet ist und daß der Netzstecker gezogen wurde.

Anbringen des Seitenhandgriffs und des Tiefenanschlags (Abb. A)

- ◆ Drehen Sie den Griff gegen den Uhrzeigersinn, bis der Seitenhandgriff (8) wie angegeben vorne auf das Gerät geschoben werden kann.
- ◆ Drehen Sie den Seitenhandgriff in die gewünschte Stellung.
- ◆ Setzen Sie den Tiefenanschlag (7) wie angegeben in die Befestigungsöffnung ein.
- ◆ Stellen Sie die Bohrtiefe wie unten angegeben ein.
- ◆ Ziehen Sie den Seitenhandgriff an, indem Sie ihn im Uhrzeigersinn drehen.

Einsetzen eines Bohrers bzw. einer Schrauber Klinge (Abb. B & C)

Schnellspannbohrfutter mit Spindelarrretierung (Abb. B)

- ◆ Öffnen Sie das Bohrfutter durch Drehen des Spannrings (9) entgegen dem Uhrzeigersinn.
- ◆ Stecken Sie den Werkzeugschaft (10) in das Bohrfutter.
- ◆ Ziehen Sie das Bohrfutter fest durch Drehen des Spannrings im Uhrzeigersinn.

Zahnkranzbohrfutter (Abb. C)

- ◆ Öffnen Sie das Bohrfutter durch Drehen des Spannrings (11) entgegen dem Uhrzeigersinn.
- ◆ Stecken Sie den Werkzeugschaft (10) in das Bohrfutter.
- ◆ Stecken Sie den Bohrfutterschlüssel (12) in eines der seitlichen Löcher (13) des Bohrfutters und drehen Sie es fest.

Entfernen und Anbringen des Bohrfutters (Abb. D)

- ◆ Öffnen Sie das Bohrfutter vollständig.
- ◆ Entfernen Sie die Bohrfutter-Sicherungsschraube, die sich im Bohrfutter befindet, indem Sie sie mit einem Schraubendreher im Uhrzeigersinn drehen.
- ◆ Spannen Sie einen Innensechskantschlüssel in das Bohrfutter ein, und schlagen Sie wie angegeben mit einem Hammer auf den Innensechskantschlüssel.
- ◆ Entfernen Sie den Innensechskantschlüssel.
- ◆ Entfernen Sie das Bohrfutter, indem Sie es gegen den Uhrzeigersinn drehen.
- ◆ Um das Bohrfutter wieder anzubringen, schrauben Sie es auf die Spindel, und sichern Sie es mit der Bohrfutter-Sicherungsschraube.

Gebrauch

Achtung! Beschleunigen Sie den Arbeitsvorgang nicht mit Gewalt. Vermeiden Sie eine Überlastung des Gerätes.

Achtung! Informieren Sie sich vor dem Bohren in Wände, Böden und Decken über den genauen Verlauf von Leitungen und Rohren.

Wahl der Laufrichtung

Zum Bohren sowie zum Eindrehen von Schrauben verwenden Sie den Rechtslauf (im Uhrzeigersinn). Zum Lösen von Schrauben sowie zum Lösen eines festsitzenden Bohrers verwenden Sie den Linkslauf (gegen den Uhrzeigersinn).

- ◆ Für Rechtslauf schieben Sie den Rechts-/Linkslaufschalter (4) nach links.
- ◆ Für Linkslauf schieben Sie den Rechts-/Linkslaufschalter nach rechts.

Achtung! Ändern Sie niemals die Laufrichtung, während der Motor läuft.

Wahl der Betriebsart

- ◆ Um in Mauerwerk zu bohren, stellen Sie den Betriebsartenschalter (5) in die Position **T**.
- ◆ Um in andere Materialien zu bohren sowie zum Schrauben stellen Sie den Betriebsartenschalter (5) in die Position **2**.

Einstellen der Bohrtiefe (Abb. E)

- ◆ Lockern Sie den Seitenhandgriff (8), indem Sie ihn gegen den Uhrzeigersinn drehen.
- ◆ Stellen Sie den Tiefenanschlag (7) auf die gewünschte Position ein. Die maximale Bohrtiefe ist der Abstand zwischen der Spitze des Bohrers und dem vorderen Ende des Tiefenanschlags.
- ◆ Ziehen Sie den Seitenhandgriff an, indem Sie ihn im Uhrzeigersinn drehen.

Ein- und Ausschalten

- ◆ Um das Gerät einzuschalten, drücken Sie auf den Drehzahl-Regelschalter (1). Je tiefer Sie den Schalter drücken, umso höher ist die Drehzahl des Geräts. Ist das Gerät mit einem Drehzahl-Vorwahlknopf (3) ausgestattet, stellen Sie diesen auf den gewünschten Drehzahlbereich ein. Im Allgemeinen sollten für Bohrer mit großen Durchmessern niedrige Drehzahlen und für Bohrer mit kleineren Durchmessern hohe Drehzahlen verwendet werden.
- ◆ Drücken Sie für Dauerbetrieb die Ausschaltsperr (2). Sie können nun den Drehzahl-Regelschalter loslassen. Diese Option steht nur bei voller Drehzahl oder einer beliebigen mit dem Drehzahl-Vorwahlknopf (3) voreingestellten Drehzahl zur Verfügung. Bei Linkslauf arbeitet diese Option nicht.
- ◆ Um das Gerät auszuschalten, lassen Sie den Geschwindigkeitsregelschalter los. Ausschalten im Dauerbetrieb: drücken Sie den Drehzahl-Regelschalter erneut, und lassen Sie ihn wieder los.

Zubehör

Die Leistung Ihres Geräts hängt vom verwendeten Zubehör ab. Black & Decker und Piranha Zubehör ist nach hohen Qualitätsnormen gefertigt und dafür ausgelegt, die Leistung Ihres Geräts zu steigern. Durch Verwendung dieses Zubehörs erzielen Sie die größtmögliche Leistung Ihres Geräts.

Wartung

Ihr Gerät wurde für eine lange Lebensdauer und einen möglichst geringen Wartungsaufwand entwickelt. Ein dauerhafter, einwandfreier Betrieb setzt eine regelmäßige Pflege und Reinigung voraus.

Achtung! Bevor Sie irgendwelche Wartungsarbeiten vornehmen, schalten Sie das Gerät aus, und ziehen Sie den Netzstecker.

- ◆ Reinigen Sie regelmäßig die Lüftungsschlitze im Gerät mit Hilfe einer weichen Bürste oder eines trockenen Tuches.
- ◆ Reinigen Sie regelmäßig das Motorgehäuse mit Hilfe eines feuchten Tuches. Verwenden Sie keine scheuernden Reinigungsmittel oder Reinigungsmittel auf Lösungsmittelbasis.

Umweltschutz



Getrennte Entsorgung. Dieses Produkt darf nicht über den normalen Hausmüll entsorgt werden.

Sollte Ihr Black & Decker Produkt eines Tages erneuert werden müssen, oder falls Sie es nicht weiter verwenden wollen, so darf es nicht über den Hausmüll entsorgt werden. Stellen Sie dieses Produkt zur getrennten Entsorgung bereit.



Durch die getrennte Entsorgung gebrauchter Produkte und Verpackungen können die Materialien recycelt und wiederverwertet werden. Die Wiederverwertung recycelter Materialien schont die Umwelt und verringert die Nachfrage nach Rohstoffen.

Die regionalen Bestimmungen schreiben unter Umständen die getrennte Entsorgung elektrischer Produkte aus dem Haushalt an Sammelstellen oder seitens des Händlers vor, bei dem Sie das neue Produkt erworben haben.

Black & Decker nimmt Ihre ausgedienten Black & Decker Geräte gern zurück und sorgt für eine umweltfreundliche Entsorgung und Wiederverwertung. Um diesen Dienst zu nutzen, schicken Sie bitte Ihr Produkt zu einer Vertragswerkstatt. Hier wird es dann auf unsere Kosten gesammelt.

Die Adresse der zuständigen Black & Decker Vertretung steht in diesem Handbuch, darüber läßt sich die nächstgelegene Vertragswerkstatt ermitteln. Außerdem ist eine Liste der Vertragswerkstätten und aller Kundendienststellen von Black & Decker sowie der zuständigen Ansprechpartner im Internet zu finden unter: **www.2helpU.com**

Technische Daten

		KR703	KR704	KR705
Spannung	V_{AC}	230	230	230
Leistungsaufnahme	W	710	710	710
Leerlaufdrehzahl	min^{-1}	0-3.100	0-3.100	0-3.100
Max. Bohrkapazität				
Stahl/Beton	mm	13/16	13/16	13/16
Holz	mm	32	32	32
Gewicht	kg	2,11	2,11	2,11

		KR753	KR754	KR755
Spannung	V_{AC}	230	230	230
Leistungsaufnahme	W	750	750	750
Leerlaufdrehzahl	min^{-1}	0-3.100	0-3.100	0-3.100
Max. Bohrkapazität				
Stahl/Beton	mm	13/16	13/16	13/16
Holz	mm	32	32	32
Gewicht	kg	2,11	2,11	2,11

EG-Konformitätserklärung

KR703/KR704/KR705/KR753/KR754/KR755

Black & Decker erklärt, daß diese Produkte folgende Konformität erfüllen:

98/37/EWG, 89/336/EWG, 73/23/EWG, EN 55014, EN 60745, EN 61000

L_{pA} (Schalldruck) 101 dB(A), L_{WA} (Schalleistung) 112 dB(A),
gewichtete Hand-/Armvibrationen 15,4 m/s^2

K_{pA} (Schalldruck-Unsicherheitsfaktor) 3 dB(A),

K_{WA} (Schalleistungs-Unsicherheitsfaktor) 3 dB(A)

Kevin Hewitt

Director of Consumer Engineering
Spennymoor, County Durham DL16 6JG,

Vereinigtes Königreich

1-4-2006

Garantie

Black & Decker vertraut auf die Qualität der eigenen Geräte und bietet dem Käufer eine außergewöhnliche Garantie. Diese Garantiezusage versteht sich unbeschadet der gesetzlichen Gewährleistungsansprüche und schränkt diese keinesfalls ein. Sie gilt in sämtlichen Mitgliedsstaaten der Europäischen Union und der Europäischen Freihandelszone EFTA.

Tritt innerhalb von 24 Monaten ab Kaufdatum an einem Gerät von Black & Decker ein auf Material- oder Verarbeitungsfehler zurückzuführender Mangel auf, garantiert Black & Decker den Austausch defekter Teile, die Reparatur von Geräten mit üblichem Verschleiß bzw. den Austausch eines mangelhaften Geräts, ohne den Kunden dabei mehr als unbedingt nötig in Anspruch zu nehmen, allerdings vorbehaltlich folgender Ausnahmen:

- ◆ wenn das Gerät gewerblich, beruflich oder im Verleihgeschäft benutzt wurde;
- ◆ wenn das Gerät mißbräuchlich verwendet oder mit mangelnder Sorgfalt behandelt wurde;
- ◆ wenn das Gerät durch irgendwelche Fremdeinwirkung beschädigt wurde;
- ◆ wenn ein unbefugter Reparaturversuch durch anderes Personal als das einer Vertragswerkstatt oder des Black & Decker-Kundendienstes unternommen wurde.

Zur Inanspruchnahme dieser Garantie ist dem Verkäufer bzw. der Vertragswerkstatt ein Kaufnachweis vorzulegen. Der Kaufnachweis muß Kaufdatum und Gerätetyp bescheinigen. Die Adresse des zuständigen Büros von Black & Decker steht in dieser Anleitung, darüber läßt sich die nächstgelegene Vertragswerkstatt ermitteln. Außerdem ist eine Liste der Vertragswerkstätten und aller Kundendienststellen von Black & Decker sowie der zuständigen Ansprechpartner im Internet zu finden unter: **www.2helpU.com**

Bitte besuchen Sie unsere Webseite **www.blackanddecker.de**, um Ihr neues Black & Decker Produkt zu registrieren und über neue Produkte und Sonderangebote aktuell informiert zu werden. Weitere Informationen über die Marke Black & Decker und unsere Produkte finden Sie unter **www.blackanddecker.de**

Utilisation prévue

Votre perceuse à percussion Black & Decker a été conçue pour percer le bois, le métal, le plastique et la maçonnerie, ainsi que pour fonctionner comme visseuse-dévisseuse. Cet outil a été conçu pour une utilisation exclusivement domestique.

Consignes générales de sécurité

Attention ! Lisez toutes les instructions. Le non-respect des instructions indiquées ci-dessous peut entraîner une électrocution, un incendie ou de graves blessures. La notion d'« outil électroportatif » mentionnée par la suite se rapporte à des outils électriques raccordés au secteur (avec câble de raccordement) ou fonctionnant sur batteries (sans fil).
GARDEZ PRÉCIEUSEMENT CES CONSIGNES DE SECURITE.

1. Zone de travail

- a. **Maintenez la zone de travail propre et bien éclairée.**
Un lieu de travail en désordre ou mal éclairé augmente le risque d'accidents.
- b. **N'utilisez pas les outils électroportatifs dans un environnement présentant des risques d'explosion ni en présence de liquides, gaz ou poussières inflammables.** Les outils électroportatifs génèrent des étincelles risquant d'enflammer les poussières ou les vapeurs.
- c. **Tenez les enfants et autres personnes éloignés durant l'utilisation de l'outil électroportatif.** En cas d'inattention, vous risquez de perdre le contrôle sur l'outil.

2. Sécurité électrique

- a. **La fiche de secteur de l'outil électroportatif doit convenir à la prise de courant. Ne modifiez en aucun cas la fiche. N'utilisez pas de fiches d'adaptateur avec des outils ayant une prise de terre.** Les fiches non modifiées et les prises de courant appropriées réduisent le risque d'électrocution.
- b. **Évitez le contact physique avec des surfaces mises à la terre telles que tuyaux, radiateurs, fours et réfrigérateurs.** Il y a un risque élevé d'électrocution si votre corps est relié à la terre.
- c. **N'exposez pas l'outil électroportatif à la pluie ni à l'humidité.** La pénétration d'eau dans un outil électroportatif augmente le risque d'électrocution.
- d. **Préservez le câble d'alimentation. N'utilisez pas le câble à d'autres fins que celles prévues, notamment pour porter l'outil, l'accrocher voire le débrancher de la prise de courant. Maintenez le câble éloigné des sources de chaleur, des parties grasses, des bords tranchants ou des parties de l'outil en rotation.**
Un câble endommagé ou enchevêtré augmente le risque d'électrocution.

- e. **Si vous utilisez l'outil électroportatif à l'extérieur, utilisez une rallonge homologuée pour utilisation à l'air libre.** L'utilisation d'une rallonge électrique homologuée pour les applications extérieures réduit le risque d'électrocution.

3. Sécurité personnelle

- a. **Restez vigilant, surveillez ce que vous faites. Faites preuve de bon sens quand vous utilisez l'outil électroportatif. N'utilisez pas l'outil lorsque vous êtes fatigué ou après avoir consommé de l'alcool, des drogues ou avoir pris des médicaments.** Un moment d'inattention lors de l'utilisation de l'outil peut entraîner de graves blessures.
 - b. **Portez des équipements de protection. Portez toujours des lunettes de protection.** Le port d'équipements de protection personnelle tels que masque anti-poussières, chaussures de sécurité antidérapantes, casque ou protection auditive, selon le travail à effectuer, réduit le risque de blessures.
 - c. **Évitez une mise en route accidentelle. Avant de brancher l'outil, vérifiez que l'interrupteur est sur la position arrêt.** Le transport ou le branchement d'outils électroportatifs avec l'interrupteur en position marche est une invite à l'accident.
 - d. **Enlevez tout outil ou clé de réglage avant de mettre l'outil en marche.** Une clé ou un outil se trouvant sur une partie en rotation peut causer des blessures.
 - e. **Ne surestimez pas vos capacités. Conservez en permanence votre équilibre et les deux pieds à terre.** Vous contrôlerez mieux l'outil dans des situations inattendues.
 - f. **Portez des vêtements appropriés. Ne portez pas de vêtements amples ni de bijoux. N'approchez pas les cheveux, vêtements ou gants des parties de l'outil en rotation.** Les vêtements amples, les bijoux ou les cheveux longs peuvent être attrapés dans les pièces en mouvement.
 - g. **Si des dispositifs servant à aspirer ou à recueillir les poussières doivent être utilisés, vérifiez qu'ils sont correctement raccordés et utilisés.** L'utilisation de tels dispositifs réduit les dangers dus aux poussières.
- ### 4. Utilisation des outils électroportatifs et précautions
- a. **Ne surchargez pas l'outil. Utilisez l'outil électroportatif approprié pour le travail à effectuer.** Avec l'outil électroportatif approprié, vous travaillerez mieux et avec plus de sécurité à la vitesse pour laquelle il a été conçu.
 - b. **N'utilisez pas un outil électroportatif dont l'interrupteur est défectueux.** Un outil électroportatif qui ne peut plus être mis en ou hors fonctionnement est dangereux et doit être réparé.

- c. Retirez la fiche de la prise de courant avant d'effectuer des réglages sur l'outil, de changer les accessoires ou de ranger l'outil.** Cette mesure de précaution empêche une mise en marche par mégarde.
- d. Rangez les outils électroportatifs hors de portée des enfants. Ne laissez pas les personnes n'étant pas familiarisées avec l'outil ou n'ayant pas lu ces instructions l'utiliser.** Les outils électroportatifs sont dangereux lorsqu'ils sont utilisés par des personnes non initiées.
- e. Prenez soin des outils électroportatifs. Vérifiez que les parties en mouvement fonctionnent correctement et qu'elles ne sont pas coincées ; vérifiez qu'il n'y a pas de pièces cassées ou endommagées susceptibles de nuire au bon fonctionnement de l'outil. S'il est endommagé, faites réparer l'outil avant de l'utiliser.** De nombreux accidents sont dus à des outils électroportatifs mal entretenus.
- f. Maintenez les outils de coupe aiguisés et propres.** Des outils soigneusement entretenus avec des bords tranchants bien aiguisés se coincent moins souvent et peuvent être guidés plus facilement.
- g. Utilisez les outils électroportatifs, les accessoires, les outils à monter etc. conformément à ces instructions et aux prescriptions en vigueur pour ce type d'outils. Tenez compte également des conditions de travail et du travail à effectuer.** L'utilisation des outils électroportatifs à d'autres fins que celles prévues peut entraîner des situations dangereuses.
- 5. Réparations**
- a. Faites réparer votre outil électroportatif uniquement par du personnel qualifié et seulement avec des pièces de rechange d'origine.** Cela garantira le maintien de la sécurité de votre outil.

Instructions de sécurité supplémentaires pour les perceuses à percussion

- ◆ **Portez une protection auditive avec les perceuses à percussion.** L'exposition au bruit peut causer des pertes de l'audition.
- ◆ **Utilisez les poignées additionnelles fournies avec l'outil.** Une perte de contrôle peut provoquer des blessures.

Sécurité électrique



L'outil est doublement isolé ; par conséquent, aucun câble de masse n'est nécessaire. Vérifiez si le voltage mentionné sur la plaque signalétique correspond bien à la tension de réseau sur site.

- ◆ Cet appareil n'est pas destiné à être utilisé par des jeunes ou des personnes infirmes sans supervision. Les enfants ne doivent pas jouer avec l'appareil.
- ◆ Si le câble d'alimentation est endommagé, il doit être remplacé par le fabricant ou par un centre de réparation agréé Black & Decker afin d'éviter tout accident.

Caractéristiques

Cet outil comprend toutes ou certaines des caractéristiques suivantes.

1. Interrupteur à variateur de vitesse
2. Bouton de verrouillage
3. Bouton de commande à variateur de vitesse
4. Sélecteur de rotation droite / gauche
5. Sélecteur de mode de perçage
6. Mandrin
7. Butée de profondeur
8. Poignée latérale

Assemblage

Attention ! Avant l'assemblage, assurez-vous que l'outil est éteint et débranché.

Comment ajuster la poignée latérale et la butée de profondeur (fig. A)

- ◆ Faites tourner la poignée dans le sens inverse des aiguilles d'une montre jusqu'à ce que vous puissiez faire glisser la poignée latérale (8) sur le devant de l'outil comme indiqué.
- ◆ Faites tourner la poignée latérale dans la position souhaitée.
- ◆ Insérez la butée de profondeur (7) dans le trou de montage comme indiqué.
- ◆ Réglez la profondeur de perçage comme décrit ci-dessous.
- ◆ Serrez la poignée latérale en la faisant tourner dans le sens des aiguilles d'une montre.

Comment installer un foret ou un embout de vissage (fig. B & C)

Mandrin sans clé avec verrou d'arbre (fig. B)

- ◆ Ouvrez le mandrin en faisant tourner le manchon (9) dans le sens inverse des aiguilles d'une montre.
- ◆ Insérez la tige de l'accessoire (10) dans le mandrin.
- ◆ Serrez le mandrin en faisant tourner le manchon dans le sens des aiguilles d'une montre.

Mandrin à clé (fig. C)

- ◆ Ouvrez le mandrin en faisant tourner le manchon (11) dans le sens inverse des aiguilles d'une montre.
- ◆ Insérez la tige de l'accessoire (10) dans le mandrin.

- ◆ Insérez la clé du mandrin (12) dans chaque orifice (13) du côté du mandrin et faites-la tourner dans le sens des aiguilles d'une montre jusqu'à ce que l'ensemble soit bien serré.

Comment enlever et replacer le mandrin (fig. D)

- ◆ Ouvrez le mandrin jusqu'à son ouverture maximum.
- ◆ Enlevez la vis de fixation du mandrin, située dans le mandrin, en le faisant tourner dans le sens des aiguilles d'une montre à l'aide d'un tournevis.
- ◆ Serrez une clé Allen dans le mandrin et desserrez-le en donnant un coup de marteau sur la clé Allen comme l'indique le dessin.
- ◆ Enlevez la clé Allen.
- ◆ Enlevez le mandrin en le faisant tourner dans le sens inverse des aiguilles d'une montre.
- ◆ Pour replacer le mandrin, vissez-le sur l'arbre et serrez-le avec la vis de serrage.

Utilisation

Attention ! Laissez l'outil fonctionner à sa propre vitesse.

Ne le surchargez pas.

Attention ! Avant de percer les murs, les planchers ou les plafonds, vérifiez l'emplacement des fils électriques et des tuyaux.

Sélection du sens de rotation

Pour le perçage et le serrage des vis, utilisez la rotation vers l'avant (dans le sens des aiguilles d'une montre).

Pour desserrer les vis ou enlever un foret de perçage coincé, utilisez la rotation vers l'arrière (dans le sens inverse des aiguilles d'une montre).

- ◆ Pour sélectionner la rotation vers l'avant, poussez le sélecteur de rotation droite / gauche (4) vers la gauche.
- ◆ Pour sélectionner la rotation vers l'arrière, poussez le sélecteur de rotation droite / gauche vers la droite.

Attention ! Ne changez jamais le sens de rotation lorsque le moteur est en marche.

Sélection du mode de perçage

- ◆ Pour le perçage dans la maçonnerie, fixez le sélecteur de mode de perçage (5) en position **T**.
- ◆ Pour le perçage dans d'autres matériaux et le vissage, fixez le sélecteur de mode de perçage (5) en position **1**.

Réglage de la profondeur de coupe (fig. E)

- ◆ Relâchez la poignée latérale (8) en le faisant tourner dans le sens inverse des aiguilles d'une montre.

- ◆ Fixez la butée de profondeur (7) dans la position souhaitée. La profondeur de perçage maximale est égale à la distance entre l'extrémité du foret et l'extrémité avant de la butée de profondeur.
- ◆ Serrez la poignée latérale en le faisant tourner dans le sens des aiguilles d'une montre.

Démarrage et arrêt

- ◆ Pour allumer l'outil, appuyez sur l'interrupteur de vitesse variable (1). La vitesse de l'outil dépend de la force que vous exercez sur l'interrupteur. Si l'outil est pourvu d'un bouton de commande de variation de vitesse (3), réglez-le sur la gamme de vitesse voulue. En règle générale, utilisez des vitesses lentes pour les forets de perçage de gros diamètres et les vitesses rapides pour les forets de petits diamètres.
- ◆ Pour un fonctionnement en continu, appuyez sur le bouton de verrouillage (2) et relâchez l'interrupteur de vitesse variable. Cette option est disponible uniquement à plein régime ou à toute vitesse prédéfinie avec le bouton de commande à sélecteur de vitesse (3). Cette option ne fonctionne pas en rotation inverse.
- ◆ Pour éteindre l'outil, relâchez le sélecteur de vitesse. Pour éteindre l'outil lorsqu'il est en fonctionnement continu, appuyez sur l'interrupteur de vitesse variable une fois de plus et relâchez-le.

Accessoires

Les performances de votre outil dépendent de l'accessoire que vous utilisez. Les accessoires Black & Decker et Piranha sont conçus selon les normes de haute qualité pour améliorer les performances de votre outil. En utilisant ces accessoires, vous obtiendrez les meilleurs résultats de votre outil.

Entretien

Votre outil a été conçu pour fonctionner pendant longtemps avec un minimum d'entretien. Un fonctionnement continu satisfaisant dépend d'un nettoyage régulier et d'un entretien approprié de l'outil.

Attention ! Avant d'effectuer tout entretien, éteignez et débranchez l'outil.

- ◆ Nettoyez régulièrement les orifices de ventilation de votre outil à l'aide d'une brosse douce ou d'un chiffon sec.
- ◆ Nettoyez régulièrement le compartiment du moteur à l'aide d'un chiffon humide. N'utilisez pas de produit abrasif ou à base de solvant.

Protection de l'environnement



Collecte séparée. Ce produit ne doit pas être jeté avec les déchets domestiques normaux.

Si vous décidez de remplacer ce produit Black & Decker, ou si vous n'en avez plus l'utilité, ne le jetez pas avec vos déchets domestiques. Rendez-le disponible pour une collecte séparée.



La collecte séparée des produits et emballages usés permet le recyclage des articles afin de les utiliser à nouveau. Le fait d'utiliser à nouveau des produits recyclés permet d'éviter la pollution environnementale et de réduire la demande de matières premières.

Les réglementations locales peuvent permettre la collecte séparée des produits électriques du foyer, dans des déchetteries municipales ou auprès du revendeur vous ayant vendu votre nouveau produit.

Black & Decker fournit un dispositif permettant de collecter et de recycler les produits Black & Decker lorsqu'ils ont atteint la fin de leur cycle de vie. Pour pouvoir profiter de ce service, veuillez retourner votre produit à un réparateur agréé qui se chargera de le collecter pour nous.

Pour connaître l'adresse du réparateur agréé le plus proche de chez vous, contactez le bureau Black & Decker à l'adresse indiquée dans ce manuel. Vous pourrez aussi trouver une liste des réparateurs agréés de Black & Decker et de plus amples détails sur notre service après-vente sur le site Internet à l'adresse suivante : www.2helpU.com

Caractéristiques techniques

		KR703	KR704	KR705
Tension	V_{AC}	230	230	230
Puissance absorbée	W	710	710	710
Vitesse à vide	min^{-1}	0-3.100	0-3.100	0-3.100
Capacité max. de perçage	Acier/béton	mm 13/16	13/16	13/16
	Bois	mm 32	32	32
	Poids	kg 2,11	2,11	2,11

		KR753	KR754	KR755
Tension	V_{AC}	230	230	230
Puissance absorbée	W	750	750	750
Vitesse à vide	min^{-1}	0-3.100	0-3.100	0-3.100
Capacité max. de perçage	Acier/béton	mm 13/16	13/16	13/16
	Bois	mm 32	32	32
	Poids	kg 2,11	2,11	2,11

Déclaration de conformité CE

KR703/KR704/KR705/KR753/KR754/KR755

Black & Decker déclare que ces produits sont conformes à : 98/37/CEE, 89/336/CEE, 73/23/CEE, EN 55014, EN 60745, EN 61000

L_{pA} (pression sonore) 101 dB(A), L_{WA} (puissance acoustique) 112 dB(A), poids de la vibration sur la main/bras 15,4 m/s²

K_{pA} (incertitude de la pression acoustique) 3 dB(A), K_{WA} (incertitude de la puissance acoustique) 3 dB(A)

Kevin Hewitt
 Directeur Ingénierie Client
 Spennymoor, County Durham DL16 6JG,
 Royaume Uni
 1-4-2006

Garantie

Black & Decker est confiant dans la qualité de ses produits et vous offre une garantie très étendue. Ce certificat de garantie est un document supplémentaire et ne peut en aucun cas se substituer à vos droits légaux. La garantie est valable sur tout le territoire des Etats Membres de l'Union Européenne et de la Zone de Libre Echange Européenne.

Si un produit Black & Decker s'avère défectueux en raison de matériaux en mauvaises conditions, d'une erreur humaine, ou d'un manque de conformité dans les 24 mois suivant la date d'achat, Black & Decker garantit le remplacement des pièces défectueuses, la réparation des produits usés ou cassés ou remplace ces produits à la convenance du client, sauf dans les circonstances suivantes :

- ◆ Le produit a été utilisé dans un but commercial, professionnel, ou a été loué.
- ◆ Le produit a été mal utilisé ou avec négligence.
- ◆ Le produit a subi des dommages à cause d'objets étrangers, de substances ou à cause d'accidents.
- ◆ Des réparations ont été tentées par des techniciens ne faisant pas partie du service technique de Black & Decker.

Pour avoir recours à la garantie, il est nécessaire de fournir une preuve d'achat au vendeur ou à un réparateur agréé. Pour connaître l'adresse du réparateur agréé le plus proche de chez vous, contactez le bureau Black & Decker à l'adresse indiquée dans ce manuel. Vous pourrez aussi trouver une liste des réparateurs agréés de Black & Decker et de plus amples détails sur notre service après-vente sur le site Internet à l'adresse suivante : www.2helpU.com

Visitez notre site Web www.blackanddecker.fr pour enregistrer votre nouveau produit Black & Decker et être informé des nouveaux produits et des offres spéciales. Pour plus d'informations concernant la marque Black & Decker et notre gamme de produits, consultez notre site www.blackanddecker.fr

Uso previsto

Il trapano a percussione Black & Decker è stato progettato per perforare legno, metalli, plastica e muratura, nonché per funzionare come cacciavite.

L'utensile è stato progettato per un uso individuale.

Norme generiche di sicurezza

Attenzione! Leggere tutte le istruzioni. La mancata osservazione delle presenti istruzioni potrebbe causare scosse elettriche, incendi e/o infortuni gravi. Il termine "elettroutensile" che ricorre in tutte le avvertenze seguenti si riferisce ad utensili elettrici con o senza filo.

CONSERVARE QUESTE ISTRUZIONI.

1. Area di lavoro

a. **Mantenere pulita e bene illuminata l'area di lavoro.**

Il disordine e la scarsa illuminazione possono causare incidenti.

b. **Evitare d'impiegare gli elettroutensili in ambienti esposti al rischio di esplosione, ad esempio in presenza di liquidi, gas o polveri infiammabili.**

Gli elettroutensili producono scintille che possono far infiammare la polvere o i fumi.

c. **Mantenere lontani bambini ed astanti mentre si usa l'elettroutensile.**

Eventuali distrazioni possono comportare la perdita del controllo dell'utensile.

2. Sicurezza elettrica

a. **La spina elettrica deve essere adatta alla presa.**

Evitare assolutamente di alterare la spina. Non impiegare spine adattatrici con utensili provvisti di messa a terra. L'uso di spine inalterate e delle prese corrispondenti riduce il rischio di scosse elettriche.

b. **Evitare il contatto fisico con superfici collegate a terra, come tubi, radiatori, forni e frigoriferi.**

Un corpo collegato a terra è esposto maggiormente al rischio di scosse elettriche.

c. **Custodire gli elettroutensili al riparo dalla pioggia o dall'umidità.**

L'eventuale infiltrazione di acqua in un elettroutensile aumenta il rischio di scosse elettriche.

d. **Non esporre il cavo a sollecitazioni. Non usare il cavo per trasportare o trainare l'utensile e non tirarlo per estrarre la spina dalla presa di corrente. Mantenere il cavo al riparo dal calore, da bordi taglienti e/o da parti in movimento.**

I cavi elettrici danneggiati o aggrovigliati aumentano il rischio di scosse elettriche.

e. **Se l'elettroutensile viene adoperato all'aperto, usare esclusivamente prolunghe omologate per l'impiego all'esterno.**

Un cavo adatto per uso esterno riduce il rischio di scosse elettriche.

3. Sicurezza delle persone

a. **È importante concentrarsi su ciò che si sta facendo e maneggiare con giudizio l'elettroutensile. Non adoperare l'elettroutensile se si è stanchi o sotto l'effetto di stupefacenti, alcol o medicinali.**

Un attimo di distrazione può causare gravi infortuni personali.

b. **Indossare sempre un equipaggiamento protettivo. Indossare sempre degli occhiali di sicurezza.**

Avendo cura d'indossare l'equipaggiamento protettivo necessario - ad esempio maschera antipolvere, calzature antiscivolo, casco ed otoprotezioni - si ridurrà il rischio di infortuni.

c. **Evitare l'accensione involontaria dell'utensile. Prima d'inserire la spina nella presa, controllare che l'interruttore sia su Off.**

Il trasporto di elettroutensili tenendo le dita sull'interruttore oppure l'inserimento della spina di alimentazione di un elettroutensile con l'interruttore di accensione su On, aumenta il rischio di incidenti.

d. **Prima di accendere un elettroutensile, togliere eventuali chiavi o attrezzi di regolazione.**

Un attrezzo o una chiave lasciati in un componente mobile dell'elettroutensile possono causare lesioni.

e. **Non sporgersi. Mantenere sempre un buon equilibrio evitando posizioni malsicure.**

In questo modo è possibile controllare meglio l'utensile in situazioni inaspettate.

f. **Vestirsi adeguatamente. Evitare di indossare indumenti larghi o gioielli. Tenere capelli, vestiti e guanti lontani da pezzi in movimento.**

Vestiti larghi, gioielli o capelli lunghi potranno impigliarsi nei componenti in movimento.

g. **Se gli utensili sono provvisti di attacchi per la connessione di dispositivi di aspirazione o raccolta della polvere, assicurarsi che questi siano installati e utilizzati correttamente.**

L'impiego di tali dispositivi può ridurre i rischi correlati alle polveri.

4. Uso e cura degli elettroutensili

a. **Non sovraccaricare l'utensile. Usare l'elettroutensile idoneo al lavoro da eseguire.**

L'elettroutensile appropriato permetterà una migliore e più sicura lavorazione alla potenza nominale prevista.

b. **Non utilizzare elettroutensili con interruttori difettosi.**

Un elettroutensile che non può essere controllato mediante l'interruttore è pericoloso e deve essere riparato.

c. **Estrarre la spina dalla presa di corrente prima di regolare l'utensile, di sostituire degli accessori o di riporre l'utensile.**

Queste precauzioni di sicurezza riducono le possibilità che l'utensile venga messo in funzione accidentalmente.

- d. **Quando non vengono usati, gli elettroutensili devono essere custoditi fuori della portata dei bambini. Non consentire l'uso dell'utensile a persone inesperte o che non abbiano letto le presenti istruzioni.** Gli elettroutensili risultano pericolosi se usati da persone inesperte.
- e. **Sottoporre gli elettroutensili alle procedure di manutenzione del caso. Verificare che le parti mobili siano bene allineate e non inceppate, che non vi siano componenti rotti e che non sussistano altre condizioni che possano compromettere il funzionamento dell'elettroutensile. In caso di danni, riparare l'elettroutensile prima dell'uso.** La scarsa manutenzione causa molti incidenti.
- f. **Mantenere affilati e puliti gli utensili da taglio.**
Se sottoposti alla corretta manutenzione, gli utensili da taglio con taglienti affilati s'inceppano meno frequentemente e sono più facili da manovrare.
- g. **Utilizzare l'elettroutensile, gli accessori, le punte ecc. in conformità delle presenti istruzioni e secondo la specifica destinazione prevista, tenendo conto delle condizioni di lavoro e del lavoro da completare.**
L'impiego degli elettroutensili per usi diversi da quelli previsti può dar luogo a situazioni di pericolo.
- 5. Riparazioni**
- a. **Fare riparare l'utensile solo ed esclusivamente da personale specializzato e solo impiegando pezzi di ricambio originali,** per conservare le condizioni di sicurezza dell'elettroutensile.

Ulteriori istruzioni di sicurezza per trapani a percussione

- ◆ **Indossare protezioni acustiche per utilizzare i trapani a percussione.** L'esposizione al rumore può causare la perdita dell'udito.
- ◆ **Utilizzare le impugnature ausiliarie fornite con l'elettroutensile.** La perdita di controllo può causare lesioni.

Sicurezza elettrica



Il doppio isolamento di cui è provvisto l'utensile rende superfluo il filo di terra. Controllare sempre che l'alimentazione corrisponda alla tensione indicata sulla targhetta delle caratteristiche.

- ◆ L'elettroutensile non deve essere utilizzato da ragazzi o persone inabili senza la supervisione di un adulto. Controllare i bambini per evitare che giochino con l'elettroutensile.
- ◆ Se il cavo elettrico in dotazione risulta danneggiato, deve essere sostituito dal produttore o da un Centro di assistenza autorizzato Black & Decker, onde evitare rischi.

Caratteristiche

Questo elettroutensile è dotato di tutte le caratteristiche elencate di seguito, o di alcune di esse.

1. Interruttore velocità variabile
2. Pulsante di bloccaggio
3. Interruttore di controllo per velocità variabile
4. Selettore avanti/indietro
5. Selettore della modalità di perforazione
6. Mandrino
7. Arresto di profondità
8. Impugnatura laterale

Montaggio

Attenzione! Prima di montarlo assicuratevi che l'utensile sia spento e desinserito.

Installazione dell'impugnatura laterale e dell'arresto di profondità (fig. A)

- ◆ Ruotare il fermo in senso antiorario finché non è possibile far scivolare l'impugnatura laterale (8) sul lato anteriore dell'elettroutensile, come mostrato.
- ◆ Girare l'impugnatura laterale nella posizione desiderata.
- ◆ Inserire l'arresto di profondità (7) nel foro di montaggio, come mostrato.
- ◆ Impostare la profondità di foratura come descritto di seguito.
- ◆ Serrare la manopola laterale, ruotando l'impugnatura in senso orario.

Inserimento di una punta a forare o per cacciavite (fig. B & C)

Mandrino senza chiave con blocco dell'alberino (fig. B)

- ◆ Aprire il mandrino ruotando il manicotto (9) in senso antiorario.
- ◆ Inserire il codolo della punta (10) nel mandrino.
- ◆ Serrare il mandrino ruotando il manicotto in senso orario.

Mandrino con chiave (fig. C)

- ◆ Aprire il mandrino ruotando il manicotto (11) in senso antiorario.
- ◆ Inserire il codolo della punta (10) nel mandrino.
- ◆ Inserire la chiave del mandrino (12) in ogni foro (13) nel lato del mandrino e girare fino a serrarlo.

Rimozione e reinserimento del mandrino (fig. D)

- ◆ Aprire il mandrino il più possibile.
- ◆ Con un cacciavite ruotare in senso orario la vite di fissaggio del mandrino, posta sul mandrino stesso, per estrarla.
- ◆ Stringere una chiave Allen nel mandrino e percuoterla con un martello, come illustrato.
- ◆ Rimuovere la chiave Allen.

- ◆ Rimuovere il mandrino, ruotandolo in senso antiorario.
- ◆ Per rimontare il mandrino, avvitarlo sull'alberino e bloccarlo con l'apposita vite di ritegno.

Uso

Attenzione! Lasciare che l'utensile lavori al suo ritmo, senza sovraccaricarlo.

Attenzione! Prima di forare pareti, pavimenti o soffitti, verificare l'ubicazione di cavi elettrici e tubazioni.

Selezione del senso di rotazione

Per trapanare e avvitare, selezionare il senso di rotazione in avanti (senso orario). Per svitare o per togliere una punta inceppata, selezionare il senso di rotazione indietro (senso antiorario).

- ◆ Per selezionare la rotazione in avanti, spingere il selettore avanti/indietro (4) verso sinistra.
- ◆ Per selezionare la rotazione indietro, spingere il selettore avanti/indietro verso destra.

Attenzione! Non invertire mai il senso di rotazione mentre l'elettrotensile è in funzione.

Selezione della modalità di perforazione

- ◆ Per perforare la muratura, impostare il selettore di modalità del trapano (5) sulla posizione **T**.
- ◆ Per perforare altri materiali e per avvitare, impostare il selettore di modalità del trapano (5) sulla posizione **A**.

Regolazione della profondità di perforazione (fig. E)

- ◆ Allentare l'impugnatura laterale (8) ruotandola in senso antiorario.
- ◆ Regolare l'arresto di profondità (7) sulla posizione desiderata. La profondità massima di perforazione equivale alla distanza tra la punta del trapano e l'estremità anteriore dell'arresto di profondità.
- ◆ Serrare la manopola laterale, ruotando l'impugnatura in senso orario.

Avviamento e spegnimento

- ◆ Per accendere l'elettrotensile, premere l'interruttore variatore di velocità (1). La velocità dell'elettrotensile dipende dalla pressione esercitata sull'interruttore. Se l'elettrotensile è dotato di manopola per il controllo della velocità (3), impostarla sulla velocità necessaria. Come regola generale, utilizzare velocità basse per punte di trapano di diametro grande e velocità alte per punte più piccole.
- ◆ Per un funzionamento continuo, spingere il pulsante di blocco (2) e rilasciare l'interruttore per il cambio di velocità.

Questa opzione è disponibile esclusivamente alla massima velocità o preimpostando una qualunque velocità con la manopola di regolazione velocità (3). Questa opzione non è disponibile in rotazione inversa.

- ◆ Per spegnere l'elettrotensile, rilasciare l'interruttore variatore di velocità. Per spegnere l'elettrotensile in modalità di funzionamento continuo, premere di nuovo l'interruttore per il cambio di velocità e poi lasciarlo andare.

Accessori

Le prestazioni dell'utensile dipendono dall'accessorio usato. Gli accessori Black & Decker e Piranha, che sono prodotti di altissima qualità, sono stati progettati per ottimizzare la resa dell'utensile. Quando si scelgono questi accessori l'utensile offre prestazioni eccellenti.

Manutenzione

Questo elettrotensile è stato progettato per funzionare a lungo con un minimo di manutenzione. Per un funzionamento sempre soddisfacente è necessario avere cura dell'elettrotensile e provvedere alla regolare pulizia.

Attenzione! Prima di eseguire qualsiasi intervento di manutenzione, spegnere l'elettrotensile e disinserire la spina dalla presa.

- ◆ Le feritoie di ventilazione dell'elettrotensile devono essere pulite regolarmente con un pennello morbido o un panno asciutto.
- ◆ Il vano del motore deve essere pulito regolarmente con un panno umido. Non usare materiali abrasivi o detergenti a base di solventi.

Protezione dell'ambiente



Raccolta differenziata. Questo prodotto non deve essere smaltito con i normali rifiuti domestici.

Nel caso in cui si decida di sostituire l'apparecchio oppure di disfarsene in quanto non più necessario, non dovrà essere smaltito con i normali rifiuti domestici. Smaltire il prodotto tramite raccolta differenziata.



La raccolta differenziata di prodotti e imballaggi usati, consente il riciclaggio e il riutilizzo dei materiali. Riutilizzare i materiali riciclati aiuta a prevenire l'inquinamento ambientale e riduce la richiesta di materie prime.

In base alle normative locali, i servizi per la raccolta differenziata di elettrodomestici possono essere disponibili presso i punti di raccolta municipali o presso il rivenditore, al momento dell'acquisto di un nuovo prodotto.

Black & Decker offre ai suoi clienti un servizio per la raccolta differenziata e la possibilità di riciclare i prodotti Black & Decker che hanno esaurito la loro durata in servizio.

Per usufruire del servizio, è sufficiente restituire il prodotto a qualsiasi tecnico autorizzato, incaricato della raccolta per conto dell'azienda.

Per individuare il tecnico autorizzato più vicino, rivolgersi alla sede Black & Decker locale, presso il recapito indicato nel presente manuale. Altrimenti un elenco completo di tutti i tecnici autorizzati Black & Decker e i dettagli completi sui contatti e i servizi post-vendita sono disponibili sul sito Internet: **www.2helpU.com**

Dati tecnici

		KR703	KR704	KR705
Tensione	V_{AC}	230	230	230
Potenza assorbita	W	710	710	710
Velocità a vuoto	min^{-1}	0-3.100	0-3.100	0-3.100
Capacità di perforazione max.				
Acciaio/calcestruzzo	mm	13/16	13/16	13/16
Legno	mm	32	32	32
Peso	kg	2,11	2,11	2,11

		KR753	KR754	KR755
Tensione	V_{AC}	230	230	230
Potenza assorbita	W	750	750	750
Velocità a vuoto	min^{-1}	0-3.100	0-3.100	0-3.100
Capacità di perforazione max.				
Acciaio/calcestruzzo	mm	13/16	13/16	13/16
Legno	mm	32	32	32
Peso	kg	2,11	2,11	2,11

Dichiarazione CE di Conformità

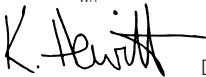
KR703/KR704/KR705/KR753/KR754/KR755

Black & Decker dichiara che i presenti prodotti sono conformi a:

98/37/CEE, 89/336/CEE, 73/23/CEE, EN 55014, EN 60745, EN 61000

L_{pA} (pressione sonora) 101 dB(A), L_{WA} (potenza acustica) 112 dB(A), vibrazione misurata su braccio / mano 15,4 m/s²

K_{pA} (incertezza sulla pressione sonora) 3 dB(A),
 K_{WA} (incertezza sulla potenza acustica) 3 dB(A)



Kevin Hewitt
 Direttore tecnico prodotti di consumo
 Pennymoor, County Durham DL16 6JG,
 Regno Unito
 1-4-2006

Garanzia

Certa della qualità dei suoi prodotti, Black & Decker offre una garanzia eccezionale. Il presente certificato di garanzia è complementare ai diritti statutari e non li pregiudica in alcun modo. La garanzia è valida entro il territorio degli Stati membri dell'Unione Europea e dell'EFTA (European Free Trade Area).

Se un prodotto Black & Decker risulta difettoso per qualità del materiale, della costruzione o per mancata conformità entro 24 mesi dalla data di acquisto, Black & Decker garantisce la sostituzione delle parti difettose, provvede alla riparazione dei prodotti se ragionevolmente usati oppure alla loro sostituzione, in modo da ridurre al minimo il disagio del cliente a meno che:

- ◆ Il prodotto non sia stato destinato ad usi commerciali, professionali o al noleggio;
- ◆ Il prodotto non sia stato usato in modo improprio o scorretto;
- ◆ Il prodotto non abbia subito danni causati da oggetti o sostanze estranee oppure incidenti;
- ◆ Il prodotto non abbia subito tentativi di riparazione non effettuati da tecnici autorizzati né dall'assistenza Black & Decker.

Per attivare la garanzia è necessario esibire la prova comprovante l'acquisto al venditore o al tecnico autorizzato. Per individuare il tecnico autorizzato più vicino, rivolgersi alla sede Black & Decker locale, presso il recapito indicato nel presente manuale. Altrimenti un elenco completo di tutti i tecnici autorizzati Black & Decker e i dettagli completi sui contatti e i servizi post-vendita sono disponibili su Internet presso: **www.2helpU.com**

I clienti che desiderano registrare il nuovo prodotto Black & Decker e ricevere gli aggiornamenti sui nuovi prodotti e le offerte speciali, sono invitati a visitare il sito Web (**www.blackanddecker.it**). Ulteriori informazioni sul marchio e la gamma di prodotti Black & Decker sono disponibili all'indirizzo **www.blackanddecker.it**

Gebruik volgens bestemming

Uw Black & Decker kloppboormachine is ontworpen voor het boren in hout, metaal, kunststof en steen alsmede voor schroefwerkzaamheden.

Deze machine is uitsluitend bestemd voor consumentengebruik.

Algemene veiligheidsvoorschriften

Waarschuwing! Lees alle voorschriften. Wanneer de volgende voorschriften niet in acht worden genomen, kan dit een elektrische schok, brand of ernstig letsel tot gevolg hebben. Het hierna gebruikte begrip "elektrisch gereedschap" heeft betrekking op elektrische gereedschappen voor gebruik op het stroomnet (met netsnoer) of op accu (snoerloos).
BEWAAR DEZE VOORSCHRIFTEN GOED.

1. Werkomgeving

a. Houd uw werkomgeving schoon en opgeruimd.

Een rommelige of onverlichte werkomgeving kan tot ongevallen leiden.

b. Werk met de machine niet in een omgeving met explosiegevaar, zoals in de nabijheid van brandbare vloeistoffen, gasen of stof bevinden.

Elektrische gereedschappen veroorzaken vonken die het stof of de dampen tot ontsteking kunnen brengen.

c. Houd kinderen en andere personen tijdens het gebruik van het elektrische gereedschap uit de buurt.

Wanneer u wordt afgeleid, kunt u de controle over het gereedschap verliezen.

2. Elektrische veiligheid

a. De netstekker van het gereedschap moet in het stopcontact passen. De stekker mag in geen geval worden veranderd. Gebruik geen adapterstekkers in combinatie met geaarde gereedschappen.

Onveranderde stekkers en passende stopcontacten beperken het risico van een elektrische schok.

b. Voorkom aanraking van het lichaam met geaarde oppervlakken, bijvoorbeeld buizen, verwarmingen, fornuizen en koelkasten.

Er bestaat een verhoogd risico voor een elektrische schok wanneer uw lichaam geaard is.

c. Houd het gereedschap uit de buurt van regen en vocht.

Het binnendringen van water in het elektrische gereedschap vergroot het risico van een elektrische schok.

d. Gebruik het snoer niet voor een verkeerd doel. Gebruik het snoer niet om het gereedschap te dragen of op te hangen of om de stekker uit het stopcontact te trekken. Houd het snoer uit de buurt van hitte, olie, scherpe randen of bewegende delen.

Beschadigde of in de war geraakte snoeren vergroten het risico van een elektrische schok.

e. Wanneer u buitenshuis met elektrisch gereedschap werkt, dient u alleen verlengsnoeren te gebruiken die voor gebruik buitenshuis zijn goedgekeurd.

Het gebruik van een voor gebruik buitenshuis geschikt verlengsnoer beperkt het risico van een elektrische schok.

3. Veiligheid van personen

- a. Wees alert, let goed op wat u doet en ga met verstand te werk bij het gebruik van elektrische gereedschappen. Gebruik elektrisch gereedschap niet wanneer u moe bent of onder invloed van drugs, alcohol of medicijnen.** Een moment van onoplettendheid bij het gebruik van het gereedschap kan tot ernstige verwondingen leiden.
- b. Draag persoonlijke beschermende uitrusting. Draag altijd een veiligheidsbril.** Het dragen van persoonlijke beschermende uitrusting zoals een stofmasker, slipvast werkschoenen, een veiligheidshelm of gehoorbescherming, afhankelijk van de aard en het gebruik van het elektrische gereedschap, vermindert het risico van verwondingen.
- c. Voorkom per ongeluk inschakelen. Controleer of de schakelaar in de uit-stand staat voordat u de stekker in het stopcontact steekt.** Wanneer u bij het dragen van het gereedschap uw vinger aan de schakelaar hebt of wanneer u het gereedschap ingeschakeld op de stroomvoorziening aansluit, kan dit tot ongevallen leiden.
- d. Verwijder instelgereedschappen of schroefsleutels voordat u het gereedschap inschakelt.**

Een instelgereedschap of sleutel in een draaiend deel van het gereedschap kan tot verwondingen leiden.

- e. Reik niet te ver. Zorg er altijd voor dat u stevig staat en in evenwicht blijft.** Daardoor kunt u het gereedschap in onverwachte situaties beter onder controle houden.
- f. Draag geschikte kleding. Draag geen loshangende kleding of sieraden. Houd haren, kleding en handschoenen uit de buurt van bewegende delen.** Loshangende kleding, sieraden en lange haren kunnen door bewegende delen worden meegenomen.
- g. Wanneer stofafzuigings- of stofopvangvoorzieningen kunnen worden gemonteerd, dient u zich ervan te verzekeren dat deze zijn aangesloten en juist worden gebruikt.** Het gebruik van deze voorzieningen beperkt het gevaar door stof.

4. Gebruik en onderhoud van elektrische gereedschappen

- a. Overbelast het gereedschap niet. Gebruik voor uw toepassing het daarvoor bestemde elektrische gereedschap.** Met het passende elektrische gereedschap werkt u beter en veiliger binnen het aangegeven capaciteitsbereik.

- b. Gebruik geen elektrisch gereedschap waarvan de schakelaar defect is.** Elektrisch gereedschap dat niet meer kan worden in- of uitgeschakeld, is gevaarlijk en moet worden gerepareerd.
- c. Trek de stekker uit het stopcontact voordat u het gereedschap instelt, toebehoren wisselt of het gereedschap weglegt.** Deze voorzorgsmaatregel voorkomt onbedoeld starten van het gereedschap.
- d. Bewaar niet-gebruikte elektrische gereedschappen buiten bereik van kinderen. Laat het gereedschap niet gebruiken door personen die er niet mee vertrouwd zijn en deze aanwijzingen niet hebben gelezen.** Elektrische gereedschappen zijn gevaarlijk wanneer deze door onervaren personen worden gebruikt.
- e. Verzorg het gereedschap zorgvuldig. Controleer of bewegende delen van het gereedschap correct functioneren en niet vastklemmen en of onderdelen zodanig gebroken of beschadigd zijn dat de werking van het gereedschap nadelig wordt beïnvloed. Laat beschadigde delen repareren voordat u het gereedschap gebruikt.** Veel ongevallen worden veroorzaakt door slecht onderhouden elektrische gereedschappen.
- f. Houd snijdende inzetgereedschappen scherp en schoon.** Zorgvuldig onderhouden snijdende inzetgereedschappen met scherpe snijkanten klemmen minder snel vast en zijn gemakkelijker te geleiden.
- g. Gebruik elektrische gereedschappen, toebehoren, inzetgereedschappen en dergelijke volgens deze aanwijzingen en zoals voor dit speciale gereedschapstype voorgeschreven. Let daarbij op de arbeidsomstandigheden en de uit te voeren werkzaamheden.** Het gebruik van elektrische gereedschappen voor andere dan de voorziene toepassingen kan tot gevaarlijke situaties leiden.
- 5. Service**
- a. Laat het gereedschap alleen repareren door gekwalificeerd en vakkundig personeel en alleen met originele vervangingsonderdelen.** Daarmee wordt de veiligheid van het gereedschap gewaarborgd.

Aanvullende veiligheidsinstructies voor klopboormachines

- ◆ **Draag oorbeschermers bij klopboormachines.** Blootstelling aan geluid kan leiden tot gehoorbeschadiging.
- ◆ **Gebruik de handgrepen die met de machine zijn meegeleverd.** Het niet in bedwang kunnen houden van de machine kan leiden tot ongelukken.

Elektrische veiligheid



Deze machine is dubbel geïsoleerd; een aardaansluiting is daarom niet noodzakelijk. Controleer altijd of uw netspanning overeenkomt met de waarde op het typeplaatje.

- ◆ Dit apparaat is niet bedoeld voor gebruik door jonge of lichamelijk zwakke personen zonder toezicht. Houd toezicht op kinderen om ervoor te zorgen dat zij niet met het apparaat gaan spelen.
- ◆ Indien het netsnoer is beschadigd, dient het ter voorkoming van gevaren te worden vervangen door de fabrikant of een erkend servicecentrum.

Onderdelen

Al naar gelang de uitvoering beschikt deze machine over de volgende onderdelen.

1. Variabele-snelheidsschakelaar
2. Vergrendelingsknop
3. Schakelaar voor elektronisch regelbaar toerental
4. Links/rechtsschakelaar
5. Boorfunctie-schakelaar
6. Boorhouder
7. Diepteaanslag
8. Zijhandgreep

Montage

Waarschuwing! Zorg vóór aanvang van de montage dat de machine is uitgeschakeld en de netstekker van het lichtnet is losgekoppeld.

Aanbrengen van de zijhandgreep en diepteaanslag (fig. A)

- ◆ Draai de handgreep linksom totdat u de zijhandgreep (8) zoals afgebeeld op de voorkant van de machine kunt plaatsen.
- ◆ Draai de zijhandgreep in de gewenste stand.
- ◆ Steek de diepteaanslag (7) zoals afgebeeld in het montagegat.
- ◆ Stel de boordiepte in zoals hieronder beschreven.
- ◆ Maak de zijhandgreep vast door de handgreep rechtsom te draaien.

Aanbrengen van een boor of schroefbit (fig. B & C)

Snelspanboorhouder met spindelvergrendeling (fig. B)

- ◆ Open de boorhouder door de huls (9) te draaien tegen de klok in.
- ◆ Steek de schacht van de boor of bit (10) in de boorhouder.
- ◆ Draai de boorhouder vast door de huls te draaien met de klok mee.

Boorhouder met sleutel (fig. C)

- ◆ Open de boorhouder door de huls (11) te draaien tegen de klok in.
- ◆ Steek de schacht van de boor of bit (10) in de boorhouder.
- ◆ Steek de boorsleutel (12) in ieder gat (13) in de zijkant van de boorhouder en draai met de klok mee totdat de boorhouder vast zit.

Verwijderen en opnieuw aanbrengen van de boorhouder (fig. D)

- ◆ Open de boorhouder zo ver als mogelijk.
- ◆ Verwijder de borgschroef van de boorhouder, die zich bevindt in de boorhouder, door hem rechtsonder te draaien met behulp van een schroevendraaier.
- ◆ Draai een inbussleutel in de boorhouder en sla er met een hamer op zoals afgebeeld.
- ◆ Verwijder de inbussleutel.
- ◆ Verwijder de boorhouder door hem linksom te draaien.
- ◆ Om de boorhouder weer aan te brengen, schroeft u hem op de spindel en borgt u hem met behulp van een borgschroef.

Gebruik

Waarschuwing! Laat de machine op haar eigen tempo werken. Niet overbelasten.

Waarschuwing! Controleer voordat u gaat boren in muren, vloeren of plafonds de locatie van eventueel aanwezige gas-, water- en elektriciteitsleidingen.

Selecteren van de draairichting

Kies voor boren en schroeven indraaien de draairichting rechtsonder (met de klok mee). Kies voor schroeven losdraaien of voor het verwijderen van een vastgelopen boor de draairichting linksom (tegen de klok in).

- ◆ Om de draairichting rechtsonder te selecteren, drukt u de links/rechts-schakelaar (4) naar links.
- ◆ Om de draairichting linksom te selecteren, drukt u de links/rechts-schakelaar (2) naar rechts.

Waarschuwing! Verander nooit de draairichting terwijl de motor is ingeschakeld.

Selecteren van de boorfunctie

- ◆ Voor boren in metselwerk zet u de boorfunctie-schakelaar (5) in de **T** positie.
- ◆ Voor boren in andere materialen en voor schroeven, zet u de boorfunctie-schakelaar (5) in de **A** positie.

Instellen van de boordiepte (fig. E)

- ◆ Draai de zijhandgreep (8) los door de handgreep linksom te draaien.
- ◆ Zet de diepteaanslag (7) in de gewenste stand. De maximale boordiepte is gelijk aan de afstand tussen het uiteinde van de boor en de voorzijde van de diepteaanslag.
- ◆ Maak de zijhandgreep vast door de handgreep rechtsonder te draaien.

Aan- en uitschakelen

- ◆ Om de machine in te schakelen, drukt u de variabele-snelheidsschakelaar (1) in. De machinesnelheid hangt af van hoever u de schakelaar indrukt. Als de machine is uitgerust met een variabele snelheidsregeling (3), dan stelt u deze in op de gewenste snelheid. In het algemeen geldt: gebruik lage snelheden voor boren met een grote diameter, en hoge snelheden voor boren met een kleine diameter.
- ◆ Voor continu-bediening: houd de vergrendelingsknop (2) ingedrukt en laat de variabele-snelheidsschakelaar los. Deze optie is alleen beschikbaar bij volle snelheid of op een snelheid die vooraf is ingesteld met de schakelaar voor elektronisch regelbaar toerental (3). Deze optie werkt niet bij draairichting linksom.
- ◆ Om de machine uit te schakelen, laat u de variabele-snelheidsschakelaar los. Om de machine uit te schakelen in continu-bedrijf, drukt u nogmaals op de variabele-snelheidsschakelaar en laat u hem los.

Accessoires

De prestaties van uw machine hangen af van welke accessoire u gebruikt. Black & Decker en Piranha accessoires zijn ontwikkeld om te voldoen aan hoge kwaliteitseisen en ontworpen om de prestaties van uw machine te verbeteren. Met behulp van deze accessoires haalt u het beste uit uw machine.

Onderhoud

Dit gereedschap is ontworpen om gedurende langere periode te functioneren met een minimum aan onderhoud. Voortdurend tevreden gebruik is afhankelijk van correct onderhoud en regelmatig schoonmaken.

Waarschuwing! Zorg vóór aanvang van onderhoudswerkzaamheden dat de machine is uitgeschakeld en de netstekker van het lichtnet is losgekoppeld.

- ◆ Reinig regelmatig de ventilatieopeningen van uw machine met een zachte borstel of een droge doek.
- ◆ Reinig regelmatig de behuizing van de motor met een vochtige doek. Gebruik geen schuur- of oplosmiddel.

Milieu



Gescheiden inzameling. Dit product mag niet met het gewone huishoudelijke afval worden weggegooid.

Wanneer uw oude Black & Deckerproduct aan vervanging toe is of het u niet langer van dienst kan zijn, gooi het dan niet bij het huishoudelijk afval. Zorg ervoor dat het product gescheiden kan worden ingezameld.



Door gebruikte producten en verpakkingen gescheiden in te zamelen, worden de materialen gerecycled en opnieuw gebruikt. Hergebruik van gerecyclede materialen voorkomt milieuvervuiling en vermindert de vraag naar grondstoffen.

Inzamelpunten voor gescheiden inzameling van elektrische huishoudproducten bij gemeentelijke vuilnisbergen of bij de verkoper waar u een nieuw product koopt, kunnen aan plaatselijke voorschriften gebonden zijn.

Black & Decker biedt de mogelijkheid tot inzamelen en recyclen van afgedankte Black & Decker producten. Om gebruik van deze service te maken, dient u het product aan een van onze servicecentra te sturen, die voor ons de inzameling verzorgen.

U kunt het adres van het dichtstbijzijnde servicecentrum opvragen via de adressen op de achterzijde van deze handleiding. U kunt ook een lijst van onze servicecentra en meer informatie m.b.t. onze klantenservice vinden op het volgende Internet-adres: www.2helpU.com

Technische gegevens

		KR703	KR704	KR705
Spanning	V_{AC}	230	230	230
Opgenomen vermogen	W	710	710	710
Onbelast toerental	min^{-1}	0-3.100	0-3.100	0-3.100
Max. boorcapaciteit				
Staal/beton	mm	13/16	13/16	13/16
Hout	mm	32	32	32
Gewicht	kg	2,11	2,11	2,11

		KR753	KR754	KR755
Spanning	V_{AC}	230	230	230
Opgenomen vermogen	W	750	750	750
Onbelast toerental	min^{-1}	0-3.100	0-3.100	0-3.100
Max. boorcapaciteit				
Staal/beton	mm	13/16	13/16	13/16
Hout	mm	32	32	32
Gewicht	kg	2,11	2,11	2,11

EG-conformiteitsverklaring

KR703/KR704/KR705/KR753/KR754/KR755

Black & Decker verklaart dat deze producten in overeenstemming zijn met:

98/37/EEG, 89/336/EEG, 73/23/EEG, EN 55014, EN 60745, EN 61000

L_{PA} (geluidsdruk) 101 dB(A), L_{WA} (geluidsvermogen) 112 dB(A),
gewogen kwadratische gemiddelde waarde van de versnelling
15,4 m/s^2

K_{PA} (meetonzekerheid geluidsdruk) 3 dB(A),

K_{WA} (meetonzekerheid geluidsvermogen) 3 dB(A)

Kevin Hewitt

Director of Consumer Engineering
Spennymoor, County Durham DL16 6JG,
Verenigd Koninkrijk
1-4-2006

Garantie

Black & Decker heeft vertrouwen in zijn producten en biedt een uitstekende garantie. Deze garantiebepalingen vormen een aanvulling op uw wettelijke rechten en beperken deze niet. De garantie geldt in de lidstaten van de Europese Unie en de Europese Vrijhandelsassociatie.

Mocht uw Black & Decker product binnen 24 maanden na datum van aankoop defect raken tengevolge van materiaal- of constructiefouten, dan garanderen wij de kosteloze vervanging van defecte onderdelen, de reparatie van het product of de vervanging van het product, tenzij:

- ◆ Het product is gebruikt voor handelsdoeleinden, professionele toepassingen of verhuurdoeleinden;
- ◆ Het product onoordeelkundig is gebruikt;
- ◆ Het product is beschadigd door invloeden van buitenaf of door een ongeval;
- ◆ Reparaties zijn uitgevoerd door anderen dan onze servicecentra of Black & Decker personeel.

Om een beroep op de garantie te doen, dient u een aankoopbewijs te overhandigen aan de verkoper of een van onze servicecentra. U kunt het adres van het dichtstbijzijnde servicecentrum opvragen via de adressen op de achterzijde van deze handleiding. U kunt ook een lijst van onze servicecentra en meer informatie m.b.t. onze klantenservice vinden op het volgende Internet-adres: www.2helpU.com

Meld u aan op onze website www.blackanddecker.nl om te worden geïnformeerd over nieuwe producten en speciale aanbiedingen. Verdere informatie over het merk Black & Decker en onze producten vindt u op www.blackanddecker.nl

Finalidad

La taladradora de martillo Black & Decker está diseñada para taladrar madera, metales, plásticos y mampostería, así como para tareas de atornillado.

Esta herramienta está pensada únicamente para uso doméstico.

Normas de seguridad generales

¡Atención! Lea íntegramente estas instrucciones. En caso de no atenerse a las instrucciones de seguridad siguientes, ello puede dar lugar a una descarga eléctrica, incendio o lesión grave. El término "herramienta eléctrica" empleado en las advertencias indicadas a continuación se refiere a la herramienta eléctrica con alimentación de red (con cable) o alimentada por batería (sin cable).

GUARDE ESTAS INSTRUCCIONES EN UN LUGAR SEGURO.

1. Área de trabajo

a. Mantenga limpia y bien iluminada el área de trabajo.

El desorden y una iluminación deficiente en las áreas de trabajo pueden provocar accidentes.

b. No utilice la herramienta eléctrica en un entorno con peligro de explosión, en el que se encuentren combustibles líquidos, gases o material en polvo.

Las herramientas eléctricas producen chispas que pueden llegar a inflamar los materiales en polvo o vapores.

c. Mantenga alejados a los niños y otras personas del área de trabajo al emplear la herramienta eléctrica.

Una distracción le puede hacer perder el control sobre la herramienta.

2. Seguridad eléctrica

a. El enchufe de la herramienta eléctrica debe corresponder a la toma de corriente utilizada. No es admisible modificar el enchufe en forma alguna. No emplee adaptadores en herramientas eléctricas dotadas con una toma de tierra.

Los enchufes sin modificar adecuados a las respectivas tomas de corriente reducen el riesgo de una descarga eléctrica.

b. Evite que su cuerpo toque partes conectadas a tierra como tuberías, radiadores, cocinas y refrigeradores.

El riesgo a quedar expuesto a una sacudida eléctrica es mayor si su cuerpo tiene contacto con tierra.

c. No exponga las herramientas eléctricas a la lluvia y evite que penetren líquidos en su interior. Existe el peligro de recibir una descarga eléctrica si penetran ciertos líquidos en la herramienta eléctrica.

d. Cuide el cable de alimentación. No utilice el cable de red para transportar o colgar la herramienta eléctrica, ni tire de él para sacar el enchufe de la toma de corriente. Mantenga el cable de red alejado del calor, aceite, bordes afilados o piezas móviles.

Los cables de red dañados o enredados pueden provocar una descarga eléctrica.

e. Al trabajar con la herramienta eléctrica en la intemperie utilice solamente cables de prolongación homologados para su uso en exteriores. La utilización de un cable de prolongación adecuado para su uso en exteriores reduce el riesgo de una descarga eléctrica.

3. Seguridad personal

a. Esté atento a lo que hace y emplee la herramienta eléctrica con prudencia. No utilice la herramienta eléctrica si estuviese cansado, ni tampoco después de haber consumido alcohol, drogas o medicamentos.

El no estar atento durante el uso de una herramienta eléctrica puede provocarle serias lesiones.

b. Utilice un equipo de protección y en todo caso unas gafas de protección. El riesgo a lesionarse se reduce considerablemente si, dependiendo del tipo y la aplicación de la herramienta eléctrica empleada, se utiliza un equipo de protección adecuado como una mascarilla antipolvo, zapatos de seguridad con suela antideslizante, casco o protectores auditivos.

c. Evite una puesta en marcha accidental de la herramienta. Compruebe que el interruptor esté en la posición de apagado antes de enchufar la herramienta. Transportar la herramienta eléctrica con el dedo sobre el interruptor o enchufarla con el interruptor encendido puede provocar accidentes.

d. Retire las herramientas de ajuste o llaves fijas antes de conectar la herramienta eléctrica. Una herramienta o llave colocada en una pieza giratoria puede producir lesiones al ponerse a funcionar.

e. Sea precavido. Mantenga un apoyo firme sobre el suelo y conserve el equilibrio en todo momento. Ello le permitirá controlar mejor la herramienta eléctrica en caso de presentarse una situación inesperada.

f. Lleve puesta una vestimenta de trabajo adecuada. No lleve vestidos anchos ni joyas. Mantenga su pelo, vestimenta y guantes alejados de las piezas móviles. La vestimenta suelta, las joyas y el pelo largo se pueden enganchar con las piezas en movimiento.

g. Siempre que sea posible utilice unos equipos de aspiración o captación de polvo, asegúrese que éstos estén montados y que sean utilizados correctamente. El empleo de estos equipos reduce los riesgos derivados del polvo.

4. Uso y cuidado de herramientas eléctricas

- a. **No sobrecargue la herramienta eléctrica. Use la herramienta eléctrica prevista para el trabajo a realizar.** Con la herramienta eléctrica adecuada podrá trabajar mejor y más seguro dentro del margen de potencia indicado.
- b. **No utilice herramientas eléctricas con un interruptor defectuoso.** Las herramientas eléctricas que no se puedan conectar o desconectar son peligrosas y deben hacerse reparar.
- c. **Saque el enchufe de la red antes de realizar un ajuste en la herramienta eléctrica, cambiar de accesorio o al guardar la herramienta.** Esta medida preventiva reduce el riesgo de conectar accidentalmente la herramienta eléctrica.
- d. **Guarde las herramientas eléctricas fuera del alcance de los niños y de las personas que no estén familiarizadas con su uso.** Las herramientas eléctricas utilizadas por personas inexpertas son peligrosas
- e. **Cuide sus herramientas eléctricas con esmero. Controle si funcionan correctamente, sin atascarse, las partes móviles de la herramienta eléctrica, y si existen partes rotas o deterioradas que pudieran afectar al funcionamiento de la herramienta. Si la herramienta eléctrica estuviese defectuosa haga que la reparen antes de volver a utilizarla.**

Muchos de los accidentes se deben a herramientas eléctricas con un mantenimiento deficiente.

- f. **Mantenga las herramientas de corte limpias y afiladas.** Las herramientas de corte mantenidas correctamente se dejan guiar y controlar mejor.
 - g. **Utilice herramientas eléctricas, accesorios, útiles de herramienta, etc. de acuerdo con estas instrucciones y en la manera indicada específicamente para esta herramienta eléctrica. Considere en ello las condiciones de trabajo y la tarea a realizar.** El uso de herramientas eléctricas para trabajos diferentes de aquellos para los que han sido concebidas puede resultar peligroso.
- 5. Servicio técnico**
- a. **Haga reparar su herramienta eléctrica sólo por personal técnico autorizado que emplee exclusivamente piezas de repuesto originales.** Solamente así se garantiza la seguridad de la herramienta eléctrica.

Instrucciones de seguridad adicionales para taladros percutores

- ◆ **Lleve protección acústica cuando utilice taladros percutores.** La exposición al ruido puede provocar la pérdida de audición.

- ◆ **Utilice las empuñaduras auxiliares que se suministran con la herramienta.** La pérdida de control puede provocar lesiones personales.

Seguridad eléctrica



La herramienta lleva un doble aislamiento; por lo tanto no requiere una toma a tierra. Compruebe siempre que la tensión de la red corresponda con el valor indicado en la placa de datos de la herramienta.

- ◆ Este aparato no ha sido concebido para ser utilizado por jóvenes ni personas discapacitadas sin supervisión. Debe vigilarse a los niños para asegurarse de que no jueguen con el aparato.
- ◆ Si el cable eléctrico está estropeado, debe ser sustituido por el fabricante o un servicio técnico autorizado de Black & Decker con el fin de evitar accidentes.

Características

Esta herramienta incluye alguna o todas las características siguientes.

1. Interruptor de velocidad variable
2. Botón de bloqueo
3. Interruptor de control de velocidad variable
4. Guía de deslizamiento de avance/retroceso
5. Selector de modo de perforación
6. Portabrocas
7. Tope de profundidad
8. Empuñadura lateral

Montaje

¡Atención! Antes de proceder al montaje, compruebe que la herramienta está apagada y desenchufada.

Acoplamiento de la empuñadura lateral y el tope de profundidad (fig. A)

- ◆ Gire el mango en sentido contrario a las agujas del reloj hasta que pueda deslizar la empuñadura lateral (8) hacia la parte delantera de la herramienta como se muestra.
- ◆ Gire el mango lateral a la posición deseada.
- ◆ Inserte el tope de profundidad (7) en el orificio de montaje como se muestra.
- ◆ Ajuste la profundidad de perforación como se describe a continuación.
- ◆ Apriete la empuñadura lateral, girando el mango en el sentido de las agujas del reloj.

Acoplamiento de la broca o la punta atornilladora (fig. B & C)

Portabrocas sin llave con bloqueo del eje (fig. B)

- ◆ Abra el portabrocas girando el manguito (9) en sentido contrario a las agujas del reloj.
- ◆ Inserte el eje de la broca (10) en el portabrocas.
- ◆ Apriete el portabrocas girando el manguito en sentido de las agujas del reloj.

Portabrocas con llave (fig. C)

- ◆ Abra el portabrocas girando el manguito (11) en sentido contrario a las agujas del reloj.
- ◆ Inserte el eje de la broca (10) en el portabrocas.
- ◆ Inserte la llave del portabrocas (12) en cada orificio (13) del lateral del portabrocas y gírela al máximo.

Retirada y reinstalación del portabrocas (fig. D)

- ◆ Abra el portabrocas al máximo posible.
- ◆ Saque el tornillo de retención del portabrocas, situado en el portabrocas, girándolo con un destornillador en el sentido de las agujas del reloj.
- ◆ Inserte una llave Allen en el portabrocas y dé un golpe de martillo, tal como se indica.
- ◆ Quite la llave Allen.
- ◆ Saque el portabrocas girándolo en sentido contrario a las agujas del reloj.
- ◆ Para volver a colocar el portabrocas, enrósquelo en el eje y asegúrelo con el tornillo de sujeción del portabrocas.

Uso

¡Atención! Deje que la herramienta funcione a su ritmo. No lo sobrecargue.

¡Atención! Antes de taladrar paredes, suelos o techos, compruebe la ubicación de cableados y tuberías.

Selección de la dirección de rotación

Para taladrar y apretar tornillos, use la rotación directa (en el sentido de las agujas del reloj). Para aflojar tornillos o para extraer una broca atascada, use la rotación inversa (en sentido contrario a las agujas del reloj).

- ◆ Para seleccionar la rotación directa, empuje la guía de deslizamiento de avance/retroceso (4) hacia la izquierda.
- ◆ Para seleccionar la rotación inversa, empuje la guía de deslizamiento de avance/retroceso hacia la derecha.

¡Atención! No cambie nunca la dirección de rotación mientras el motor esté en marcha.

Selección del modo de perforación

- ◆ Para taladrar mampostería, fije el selector del modo de perforación (5) en la posición **T**.
- ◆ Para taladrar otros materiales y para atornillar, fije el selector del modo de perforación (5) en la posición **2**.

Ajuste de la profundidad de corte (fig. E)

- ◆ Afloje la empuñadura lateral (8) girando el mango en el sentido contrario a las agujas del reloj.
- ◆ Fije el tope de profundidad (7) a la posición deseada. La profundidad máxima de perforación es igual a la distancia entre la punta de la broca y el extremo anterior del tope de profundidad.
- ◆ Apriete la empuñadura lateral, girando el mango en el sentido de las agujas del reloj.

Encendido y apagado

- ◆ Para encender la herramienta, pulse el interruptor de velocidad variable (1). La velocidad de la herramienta dependerá de hasta dónde pulse el interruptor. Si la herramienta lleva un pomo de control de velocidad variable (3), póngalo en el régimen de velocidad requerido. Como norma general, use velocidades bajas para brocas de diámetro grande y velocidades altas para brocas de diámetro más pequeño.
- ◆ Para un funcionamiento continuo, pulse el botón de bloqueo (2) y suelte el interruptor de velocidad variable. Esta opción está disponible únicamente a la velocidad máxima o a cualquier velocidad preajustada con el pomo de control de velocidad variable (3). Esta opción no funciona en la rotación inversa.
- ◆ Para apagar la herramienta, suelte el interruptor de velocidad variable. Para apagar la herramienta durante el funcionamiento continuo, pulse el interruptor de velocidad variable una vez más y suéltelo.

Accesorios

El rendimiento de la herramienta dependerá del accesorio utilizado. Los accesorios de Black & Decker y Piranha están fabricados según las más altas normas de calidad para ampliar el rendimiento de la herramienta. Utilizando estos accesorios, logrará aprovechar al máximo la herramienta.

Mantenimiento

La herramienta ha sido diseñada para que funcione durante un largo período de tiempo con un mantenimiento mínimo. El funcionamiento satisfactorio continuado depende de un cuidado apropiado y una limpieza periódica de la herramienta.

¡Advertencia! Antes de realizar cualquier tipo de mantenimiento, apague y desenchufe la herramienta.

- ◆ Limpie periódicamente las ranuras de ventilación de la herramienta con un cepillo suave o un paño seco.
- ◆ Limpie periódicamente la carcasa del motor con un paño húmedo. No utilice ninguna sustancia limpiadora abrasiva o que contenga disolventes.

Protección del medio ambiente



Separación de desechos. Este producto no debe desecharse con la basura doméstica normal.

Si llega el momento de reemplazar su producto Black & Decker o éste ha dejado de tener utilidad para usted, no lo deseche con la basura doméstica normal. Asegúrese de que este producto se deseche por separado.



La separación de desechos de productos usados y embalajes permite que los materiales puedan reciclarse y reutilizarse. La reutilización de materiales reciclados ayuda a evitar la contaminación medioambiental y reduce la demanda de materias primas.

La normativa local puede prever la separación de desechos de productos eléctricos de uso doméstico en centros municipales de recogida de desechos o a través del distribuidor cuando adquiere un nuevo producto.

Black & Decker proporciona facilidades para la recogida y el reciclado de los productos Black & Decker que hayan llegado al final de su vida útil. Para hacer uso de este servicio, devuelva su producto a cualquier servicio técnico autorizado, que lo recogerá en nuestro nombre.

Pueden consultar la dirección de su servicio técnico más cercano poniéndose en contacto con la oficina local de Black & Decker en la dirección que se indica en este manual. Como alternativa, puede consultar en Internet la lista de servicios técnicos autorizados e información completa de nuestros servicios de posventa y contactos en la siguiente dirección:

www.2helpU.com

Características técnicas

		KR703	KR704	KR705
Voltaje	V_{AC}	230	230	230
Potencia absorbida	W	710	710	710
Velocidad sin carga	min^{-1}	0-3.100	0-3.100	0-3.100
Capacidad máxima de perforación				
Acero/hormigón	mm	13/16	13/16	13/16
Madera	mm	32	32	32
Peso	kg	2,11	2,11	2,11

		KR753	KR754	KR755
Voltaje	V_{AC}	230	230	230
Potencia absorbida	W	750	750	750
Velocidad sin carga	min^{-1}	0-3.100	0-3.100	0-3.100
Capacidad máxima de perforación				
Acero/hormigón	mm	13/16	13/16	13/16
Madera	mm	32	32	32
Peso	kg	2,11	2,11	2,11

Declaración de conformidad CE

KR703/KR704/KR705/KR753/KR754/KR755

Black & Decker declara que estos productos cumplen las normas siguientes:
98/37/CEE, 89/336/CEE, 73/23/CEE, EN 55014, EN 60745, EN 61000

L_{pA} (presión acústica) 101 dB(A), L_{WA} (potencia acústica) 112 dB(A), vibraciones soportadas en mano/brazo 15,4 m/s²

K_{pA} (incertidumbre de presión acústica) 3 dB(A),
 K_{WA} (incertidumbre de potencia acústica) 3 dB(A)

Kevin Hewitt

Director de Ingeniería del Consumidor
Spennymoor, County Durham DL16 6JG,
Reino Unido
1-4-2006

Garantía

Black & Decker confía plenamente en la calidad de sus productos y ofrece una garantía extraordinaria. Esta declaración de garantía es una añadido, y en ningún caso un perjuicio para sus derechos estatutarios. La garantía es válida dentro de los territorios de los Estados Miembros de la Unión Europea y de los de la Zona Europea de Libre Comercio.

Si un producto Black & Decker resultará defectuoso debido a materiales o mano de obra defectuosos o a la falta de conformidad, Black & Decker garantiza, dentro de los 24 meses de la fecha de compra, la sustitución de las piezas defectuosas, la reparación de los productos sujetos a un desgaste y rotura razonables o la sustitución de tales productos para garantizar al cliente el mínimo de inconvenientes, a menos que:

- ◆ El producto haya sido utilizado con propósitos comerciales, profesionales o de alquiler;
- ◆ El producto haya sido sometido a un uso inadecuado o negligente;
- ◆ El producto haya sufrido daños causados por objetos o sustancias extrañas o accidentes;

- ◆ Se hayan realizado reparaciones por parte de personas que no sean los servicios de reparación autorizados o personal de servicios de Black & Decker;

Para reclamar en garantía, será necesario que presente la prueba de compra al vendedor o al servicio técnico de reparaciones autorizado. Pueden consultar la dirección de su servicio técnico más cercano poniéndose en contacto con la oficina local de Black & Decker en la dirección que se indica en este manual. Como alternativa, se puede consultar en Internet, en la dirección siguiente, la lista de servicios técnicos autorizados e información completa de nuestros servicios de postventa y contactos:

www.2helpU.com

Visite nuestro sitio web **www.blackanddecker.com** para registrar su nuevo producto Black & Decker y mantenerse al día sobre nuestros productos y ofertas especiales. Encontrará información adicional sobre la marca Black & Decker y nuestra gama de productos en **www.blackanddecker.com**

Utilização

O seu berbequim Black & Decker foi concebido para perfurar madeira, metal, plástico e maçonaria, assim como para fins de aparafusamento.

Esta ferramenta destina-se apenas ao doméstico.

Regras gerais de segurança

Advertência! Leia todas as instruções. O não cumprimento das instruções a seguir podem causar choque eléctrico, incêndio e/ou graves lesões. O termo “ferramenta eléctrica” utilizado a seguir refere-se a ferramentas eléctricas com ligação à corrente eléctrica (com fios) ou operadas a bateria (sem fios).
GUARDE BEM ESTAS INSTRUÇÕES.

1. Área de trabalho

- a. **Mantenha a sua área de trabalho limpa e arrumada.** Desordem e áreas de trabalho com fraca iluminação podem causar acidentes.
- b. **Não trabalhar com a ferramenta eléctrica em áreas com risco de explosão, nas quais se encontrem líquidos, gases ou pós inflamáveis.** Ferramentas eléctricas produzem faíscas que podem provocar a ignição de pó e vapores.
- c. **Mantenha crianças e outras pessoas afastadas da ferramenta eléctrica durante o trabalho com a ferramenta.** Distracções podem causar a falta de controlo sobre a ferramenta.

2. Segurança eléctrica

- a. **A ficha da ferramenta eléctrica deve caber na tomada. A ficha não deve ser modificada de modo algum. Não utilize quaisquer fichas de adaptação junto com ferramentas eléctricas ligadas à terra.** Fichas sem modificações e tomadas adequadas reduzem o risco de choques eléctricos.
- b. **Evite que o corpo entre em contacto com superfícies ligadas à terra, como por exemplo tubos, radiadores, fogões e frigoríficos.** Há um risco elevado de choques eléctricos, caso o corpo seja ligado à terra.
- c. **A ferramenta eléctrica não deve ser exposta à chuva nem humidade.** A penetração de água na ferramenta eléctrica aumenta o risco de choques eléctricos.
- d. **Manuseie o fio com cuidado. O cabo da ferramenta não deve ser utilizado para o transporte, para pendurar a ferramenta, nem para puxar a ficha da tomada. Mantenha o cabo afastado de calor, óleo, cantos afiados ou partes em movimento da ferramenta.** Cabos danificados ou torcidos aumentam o risco de choques eléctricos.

- e. **Ao trabalhar com a ferramenta eléctrica ao ar livre, use um cabo de extensão apropriado para áreas externas.** O uso de um cabo apropriado para áreas externas reduz o risco de choques eléctricos.

3. Segurança pessoal

- a. **Esteja alerta, observe o que está a fazer, e tenha prudência ao trabalhar com a ferramenta eléctrica. Não use a ferramenta eléctrica se estiver cansado ou sob a influência de drogas, álcool ou medicamentos.** Um momento de falta de atenção durante a operação da ferramenta eléctrica pode causar graves lesões.
 - b. **Usar um equipamento pessoal de protecção. Utilizar sempre óculos de protecção.** Equipamento de segurança, como por exemplo, máscara de protecção contra pó, sapatos de segurança anti-derrapantes, capacete de segurança ou protecção auricular, de acordo com o tipo e aplicação da ferramenta eléctrica, reduz o risco de lesões.
 - c. **Evite um accionamento involuntário. Assegure-se de que o interruptor está na posição de desligado antes de o ligar.** O transporte de ferramentas eléctricas com o dedo no interruptor ou a ligação das mesmas que tenham o interruptor ligado provoca acidentes.
 - d. **Remover chaves de ajustes ou chaves de fenda, antes de ligar a ferramenta eléctrica.** Uma chave de fenda ou chave de ajuste que se encontre numa parte móvel da ferramenta, pode levar a lesões.
 - e. **Não se sobrestime. Mantenha-se sempre bem posicionado e em equilíbrio.** Desta forma poderá ser mais fácil controlar a ferramenta em situações inesperadas.
 - f. **Use vestuário apropriado. Não use roupa larga ou jóias. Mantenha o cabelo, roupa e luvas afastadas de partes em movimento.** Roupas largas, jóias ou cabelos longos podem ser agarradas por partes em movimento.
 - g. **Se for prevista a montagem de dispositivos de aspiração de pó e de dispositivos de recolha, assegure-se de que estão ligados e que são utilizados de forma correcta.** A utilização destes dispositivos reduz os riscos provocados por pó.
- ### 4. Utilização e manutenção da ferramenta eléctrica
- a. **Não sobrecarregue a ferramenta eléctrica. Use para o seu trabalho a ferramenta eléctrica correcta.** A ferramenta correcta realizará o trabalho de forma melhor e mais segura dentro da potência indicada.
 - b. **Não utilize a ferramenta eléctrica se o interruptor não puder ser ligado nem desligado.** Qualquer ferramenta eléctrica que não possa ser controlada através do interruptor de ligar-desligar é perigosa e deve ser reparada.

- c. Desligue a ficha da tomada antes de efectuar ajustes na ferramenta, substituir acessórios ou armazenar a ferramenta eléctrica.** Esta medida de segurança evita que a ferramenta eléctrica seja ligada acidentalmente.
- d. Mantenha as ferramentas eléctricas que não estiverem a ser utilizadas fora do alcance de crianças. Não permita que a ferramenta seja utilizada por pessoas não familiarizadas com a mesma ou que não tenham lido estas instruções.** As ferramentas eléctricas são perigosas se utilizadas por pessoas não qualificadas.
- e. Trate a sua ferramenta eléctrica com cuidado. Verifique se as partes móveis da ferramenta funcionam perfeitamente e não emperram, se há peças quebradas ou danificadas, que possam influenciar o funcionamento da ferramenta. As peças danificadas devem ser reparadas antes da utilização da ferramenta.** Muitos acidentes têm como causa uma manutenção insuficiente das ferramentas eléctricas.
- f. Mantenha as ferramentas de corte sempre afiadas e limpas.** Ferramentas de cortes devidamente tratadas, com cantos afiados travam com menos frequência e podem ser controladas com maior facilidade.
- g. Use a ferramenta eléctrica, os acessórios e as brocas da ferramenta etc., de acordo com estas instruções e da maneira determinada para este tipo especial de ferramenta eléctrica. Considere também as condições de trabalho e o trabalho a ser efectuado.** A utilização da ferramenta eléctrica para outros fins que os previstos pode resultar em situações perigosas.
- 5. Reparação**
- a. A sua ferramenta eléctrica só deve ser reparada por pessoal qualificado e só devem ser colocadas peças sobressalentes originais.** Desta forma é assegurada a segurança da ferramenta eléctrica.

Instruções adicionais de segurança para berbequins de percussão

- ◆ **Utilize protectores auriculares com os berbequins de percussão.** A exposição ao ruído poderá provocar perda de audição.
- ◆ **Utilize os punhos auxiliares fornecidos com a ferramenta.** A perda de controlo da mesma pode provocar ferimentos pessoais.

Segurança eléctrica



Esta ferramenta está duplamente vedada; assim não é necessário fio de terra. Certifique-se sempre de que o fornecimento de energia corresponde à voltagem indicada na placa de especificações.

- ◆ Este aparelho não se destina a ser utilizado por jovens nem por pessoas enfermas sem supervisão. As crianças deverão ser vigiadas para que não mexam no aparelho.
- ◆ Se o cabo de alimentação estiver danificado, deverá ser substituído pelo fabricante ou por um Centro de Assistência autorizado pela Black & Decker, de modo a evitar perigos.

Características

Esta ferramenta inclui algumas ou todas as seguintes características.

1. Interruptor de velocidade variável
2. Botão de bloqueio
3. Interruptor de controlo de velocidade variável
4. Selector de reversibilidade
5. Selector de perfuração/percussão
6. Bucha
7. Batente de profundidade
8. Pega lateral

Montagem

Advertência! Antes da montagem, certifique-se de que a ferramenta está desligada da corrente eléctrica.

Montagem da pega lateral e batente de profundidade (fig. A)

- ◆ Rode o punho para a esquerda até que consiga mover a pega lateral (8) para a frente da ferramenta como mostrado.
- ◆ Rode a pega lateral até à posição desejada.
- ◆ Introduza o batente de profundidade (7) no orifício de montagem como mostrado.
- ◆ Regule a profundidade de perfuração como descrito abaixo.
- ◆ Aperte a pega lateral rodando o punho para a direita.

Colocação de uma broca ou ponta de aparafusar (fig. B & C)

Bucha sem chave com bloqueio do veio (fig. B)

- ◆ Abra a bucha rodando a manga (9) em sentido anti-horário.
- ◆ Introduza a broca (10) na bucha.
- ◆ Aperte a bucha rodando a manga em sentido horário.

Bucha com chave (fig. C)

- ◆ Abra a bucha rodando a manga (11) em sentido anti-horário.
- ◆ Introduza a broca (10) na bucha.
- ◆ Introduza a chave da bucha (12) em cada um dos orifícios (13) do corpo da bucha e rode até apertar.

Remoção e colocação da bucha (fig. D)

- ◆ Abra a bucha o mais possível.
- ◆ Remova o parafuso de fixação da bucha, localizado na mesma, rodando-o para a direita com uma chave de fenda.

- ◆ Insira uma chave Allen na bucha e bata com um martelo como se indica.
- ◆ Remova a chave Allen.
- ◆ Remova a bucha rodando-a para a esquerda.
- ◆ Para voltar a colocar a bucha, aperte-a no veio e fixe-a com o respectivo parafuso de fixação.

Utilização

Advertência! Deixe que a ferramenta funcione à vontade. Não o sobrecarregue.

Advertência! Antes de furar paredes, pisos ou tectos, verifique a localização de fios e canos.



Seleção da direcção da rotação

Para perfurar e apertar parafusos, utilize a rotação “avançar” (para a direita). Para soltar parafusos ou remover uma broca presa, utilize a rotação “inverter” (para a esquerda).

- ◆ Para seleccionar a rotação de avanço, empurre o selector de reversibilidade (4) para a esquerda.
- ◆ Para seleccionar a rotação inversa, empurre o selector para a direita.

Advertência! Nunca mude a direcção da rotação com o motor a funcionar.

Seleção do modo de perfuração/percussão

- ◆ Para a perfuração em alvenaria, ajuste o selector de percussão/perfuração (5) para a posição .
- ◆ Para a perfuração noutros materiais ou para aparafusar, ajuste o selector de percussão/perfuração (5) para a posição .

Definir a profundidade da perfuração (fig. E)

- ◆ Afrouxe a pega lateral (8) rodando o punho para a esquerda.
- ◆ Ajuste o batente de profundidade (7) para a posição desejada. A profundidade máxima de perfuração é igual à distância entre a broca e a extremidade frontal do batente de profundidade.
- ◆ Aperte a pega lateral rodando o punho para a direita.

Como ligar e desligar a ferramenta

- ◆ Para ligar a ferramenta, prima o interruptor de velocidade variável (1). A velocidade da ferramenta depende de quanto se prime o interruptor. Se a ferramenta estiver equipada com um interruptor de controlo de velocidade variável (3), ajuste-o para a velocidade desejada. Como regra geral, utilize velocidades baixas para brocas de grande diâmetro e velocidades altas para brocas de pequeno diâmetro.
- ◆ Para o funcionamento contínuo, prima o botão de bloqueio (2) e liberte o interruptor de velocidade variável.

Esta opção encontra-se disponível apenas a velocidade total ou em qualquer velocidade predefinida com o interruptor de controlo de velocidade variável (3). Esta opção não funciona na rotação inversa.

- ◆ Para desligar a ferramenta, solte o interruptor de velocidade variável. Para desligar a ferramenta quando em funcionamento contínuo, prima novamente o interruptor de velocidade variável e solte-o.

Acessórios

O desempenho da sua ferramenta depende dos acessórios utilizados. Os acessórios da Black & Decker e Piranha são fabricados de acordo com os mais altos padrões de qualidade e são concebidos para melhorar o desempenho da sua ferramenta. Ao utilizar estes acessórios, poderá tirar o maior partido da sua ferramenta.

Manutenção

Esta ferramenta foi desenvolvida para funcionar por um longo período de tempo, com o mínimo de manutenção.

O funcionamento contínuo e satisfatório depende de limpeza regular e de manutenção adequada.

Advertência! Antes de qualquer procedimento de manutenção, desligue a ferramenta no interruptor e retire a tomada da corrente.

- ◆ Limpe regularmente as fendas de ventilação da ferramenta utilizando uma escova suave ou um pano seco.
- ◆ Limpe regularmente o compartimento do motor utilizando um pano húmido. Não utilize nenhum detergente abrasivo nem à base de solvente.

Protecção do meio ambiente



Recolha em separado. Não deve deitar este produto fora juntamente com o lixo doméstico normal.

Caso chegue o momento em que um dos seus produtos Black & Decker precise de ser substituído ou decida desfazer-se do mesmo, não o deite fora juntamente com o lixo doméstico. Torne este produto disponível para uma recolha em separado.



A recolha em separado de produtos e embalagens utilizados permite que os materiais sejam reciclados e reutilizados. A reutilização de materiais reciclados ajuda a evitar a poluição ambiental e a reduzir a procura de matérias-primas.

Os regulamentos locais poderão providenciar a recolha em separado de produtos eléctricos junto das casas, em lixeiras municipais ou junto dos fornecedores ao adquirir um novo produto.

A Black & Decker oferece um serviço de recolha e reciclagem de produtos Black & Decker que tenha atingido o fim das suas vidas úteis. Para tirar proveito deste serviço, devolva seu produto a qualquer agente de reparação autorizado, que se encarregará de recolher o equipamento em nosso nome.

Para verificar a localização do agente de reparação mais próximo de si, contacte o escritório local da Black & Decker no endereço indicado neste manual. Se preferir, consulte a lista de agentes autorizados da Black & Decker e os dados completos dos nossos serviços de atendimento pós-venda na Internet no endereço: www.2helpU.com

Dados técnicos

		KR703	KR704	KR705
Voltagem	V _{AC}	230	230	230
Potência	W	710	710	710
Velocidade sem carga	min ⁻¹	0-3.100	0-3.100	0-3.100
Capacidade máxima de perfuração				
Aço/betão	mm	13/16	13/16	13/16
Madeira	mm	32	32	32
Peso	kg	2,11	2,11	2,11

		KR753	KR754	KR755
Voltagem	V _{AC}	230	230	230
Potência	W	750	750	750
Velocidade sem carga	min ⁻¹	0-3.100	0-3.100	0-3.100
Capacidade máxima de perfuração				
Aço/betão	mm	13/16	13/16	13/16
Madeira	mm	32	32	32
Peso	kg	2,11	2,11	2,11

Declaração de conformidade CE

KR703/KR704/KR705/KR753/KR754/KR755

A Black & Decker declara que estes produtos estão em conformidade com a:

98/37/CEE, 89/336/CEE, 73/23/CEE, EN 55014, EN 60745, EN 61000

L_{PA} (pressão acústica) 101 dB(A), L_{WA} (potência acústica) 112 dB(A), vibração medida da mão/braço de 15,4 m/s²

K_{PA} (imprecisão da pressão acústica) 3 dB(A),

K_{WA} (imprecisão da potência acústica) 3 dB(A)



Kevin Hewitt
 Director de Engenharia do Consumo
 Spennymoor, County Durham DL16 6JG,
 Reino Unido
 1-4-2006

Garantia

A Black & Decker confia na qualidade de seus produtos e oferece um programa de garantia excelente. Esta declaração de garantia soma-se aos seus direitos legais e não os prejudica em nenhum aspecto. A garantia será válida nos territórios dos Estados Membros da União Europeia e na Área de Livre Comércio da Europa.

Caso algum produto da Black & Decker apresente avarias devido a defeitos de material, mão-de-obra ou ausência de conformidade no prazo de 24 meses a partir da data de compra, a Black & Decker garantirá a substituição das peças defeituosas, a reparação dos produtos que foram submetidos a uso adequado e remoção ou substituição dos mesmos para assegurar o mínimo de inconvenientes ao cliente a menos que:

- ◆ O produto tenha sido utilizado para fins comerciais, profissionais ou aluguer;
- ◆ O produto tenha sido submetido a uso incorrecto ou descuido;
- ◆ O produto tenha sofrido danos causados por objectos estranhos, substâncias ou acidentes;
- ◆ Tenha um histórico de reparações efectuadas por terceiros que não sejam os agentes autorizados ou profissionais de manutenção da Black & Decker.

Para activar a garantia, será necessário enviar a prova de compra ao revendedor ou agente de reparação autorizado. Para verificar a localização do agente de reparação mais próximo de si contacte o escritório local da Black & Decker no endereço indicado neste manual. Se preferir, consulte a lista de agentes autorizados da Black & Decker e os dados completos de nossos serviços de atendimento pós-venda na Internet no endereço: www.2helpU.com

Visite o nosso website www.blackanddecker.com para registar o seu novo produto Black & Decker e para se manter actualizado sobre novos produtos e ofertas especiais. Estão disponíveis mais informações sobre a Black & Decker e sobre a nossa gama de produtos em www.blackanddecker.com

Användningsområde

Din slagbormaskin från Black & Decker kan användas för borring i trä, metall, plast och murverk, och dessutom för skruvdragning.

Verktyget är endast avsett som konsumentverktyg.

Allmänna säkerhetsregler

Varning! Samtliga anvisningar ska läsas. Fel som uppstår till följd av att anvisningarna nedan inte följts kan orsaka elchock, brand och/eller allvarliga kroppsskador. Nedan använt begrepp "Elverktyg" hänför sig till nätdrivna elverktyg (med nätsladd) och till batteridrivna elverktyg (sladdlösa).
TA VÄL VARA PÅ SÄKERHETSANVISNINGARNA.

1. Arbetsområde

- a. **Håll arbetsplatsen ren och välbelyst.** Oordning på arbetsplatsen och dåligt belyst arbetsområde kan leda till olyckor.
- b. **Använd inte elverktyget i explosionsfarlig omgivning med brännbara vätskor, gaser eller damm.** Elverktyg alstrar gnistor som kan antända dammet eller gaserna.
- c. **Håll under arbetet med elverktyget barn och obehöriga personer på betryggande avstånd.** Om du störs av obehöriga personer kan du förlora kontrollen över elverktyget.

2. Elektrisk säkerhet

- a. **Elverktygets stickpropp måste passa till vägguttaget. Stickproppen får absolut inte förändras. Använd inte adapterkontakter tillsammans med skyddsjordade elverktyg.** Oförändrade stickproppar och passande vägguttag reducerar risken för elchock.
- b. **Undvik kroppskontakt med jordade ytor som t. ex. rör, värmeelement, spisar och kylskåp.** Det finns en större risk för elchock om din kropp är jordad.
- c. **Skydda elverktyget mot regn och väta.** Tränger vatten in i ett elverktyg ökar risken för elchock.
- d. **Misshandla inte nätsladden. Använd inte sladden för att bära eller hänga upp elverktyget och inte heller för att dra stickproppen ur vägguttaget. Håll nätsladden på avstånd från värme, olja, skarpa kanter och rörliga maskindelar.** Skadade eller tilltrasslade sladdar ökar risken för elchock.
- e. **Använd när du arbetar med ett elverktyg utomhus endast förlängningssladdar som är godkända för utomhusbruk.** Om en avsedd förlängningssladd för utomhusbruk används minskar risken för elchock.

3. Personlig säkerhet

- a. **Var uppmärksam, se på vad du gör och använd elverktyget med örnufft. Använd inte elverktyget när du är trött eller om du är påverkad av droger, alkohol eller mediciner.** Under användning av elverktyg kan även en kort uppmärksamhet leda till allvarliga kroppsskador.
- b. **Använd personlig skyddsutrustning. Bär alltid skyddsglasögon.** Den personliga skyddsutrustningen som t.ex. dammfiltermask, halkfria säkerhetsskor, hjälm eller hörselskydd – med beaktande av elverktygets modell och driftsätt – reducerar risken för kroppsskada.
- c. **Undvik oavsiktlig igångsättning. Kontrollera att strömbrytaren står i avstängt läge innan du kopplar elverktyget till nätet.** Det kan vara mycket farligt att bära ett elverktyg med fingret på strömbrytaren eller koppla det till nätet med strömbrytaren i till-läge.
- d. **Ta bort alla inställningsverktyg och skruvnycklar innan du startar elverktyget.** Ett verktyg eller en nyckel i en roterande komponent kan medföra kroppsskada.
- e. **Sträck dig inte för långt. Se till att du alltid har säkert fotfäste och balans.** På så sätt kan du lättare kontrollera elverktyget i oväntade situationer.
- f. **Bär lämpliga kläder. Bär inte löst hängande kläder eller smycken. Håll hår, kläder och handskar undan från rörliga delar.** Löst hängande kläder, smycken och långt hår kan dras in av roterande delar.
- g. **Vid elverktyg med dammsugnings- och -uppsamlingsutrustning kontrollera att anordningarna är rätt monterade och används på korrekt sätt.** Dessa anordningar reducerar riskerna i samband med damm.
4. **Bruk och skötsel av elverktyg**
 - a. **Överbelasta inte elverktyget. Använd rätt elverktyg för det aktuella arbetet.** Med ett lämpligt elverktyg kan du arbeta bättre och säkrare inom angivet effektområde.
 - b. **Ett elverktyg med defekt strömbrytare får inte användas.** Ett elverktyg som inte kan kopplas till eller från är farligt och måste repareras.
 - c. **Dra stickproppen ur vägguttaget innan inställningar utförs, tillbehörsdelar byts ut eller elverktyget ställs undan.** Denna skyddsåtgärd förhindrar oavsiktlig inkoppling av elverktyget.
 - d. **Förvara elverktygen oåtkomliga för barn. Låt inte elverktyget användas av personer som inte är förtrogna med dess användning eller inte läst denna anvisning.** Elverktygen är farliga om de används av oerfarna personer.

- e. **Sköt elverktyget omsorgsfullt. Kontrollera att rörliga komponenter fungerar felfritt och inte kärvar, att komponenter inte brustit eller skadats och inget annat föreligger som kan påverka elverktygets funktioner. Låt skadade delar repareras innan elverktyget används på nytt.** Många olyckor orsakas av dåligt skötta elverktyg.
- f. **Håll skärverktyg skarpa och rena.** Omsorgsfullt skötta skärverktyg med skarpa eggar fastnar inte så lätt och går lättare att styra.
- g. **Använd elverktyget, tillbehör, insatsverktyg osv. enligt dessa anvisningar och på sätt som föreskrivits för aktuell verktygsmodell. Ta hänsyn till arbetsvillkoren och arbetsmomenten.** Används elverktyget på icke ändamålsenligt sätt kan farliga situationer uppstå.
5. **Service**
- a. **Låt elverktyget endast repareras av kvalificerad fackpersonal och med originalreservdelar.**
 Detta garanterar att elverktygets säkerhet bibehålls.

Extra säkerhetsföreskrifter för slagborrar

- ◆ **Bär öronskydd vid arbete med en slagborr.**
 Bullerexponering kan orsaka hörselskador.
- ◆ **Använd hjälphandtagen som levererades med verktyget.** Kontrollförlust kan orsaka personskador.

Elektrisk säkerhet



Eftersom verktyget är dubbelisolerat behövs ingen jordledare. Kontrollera alltid att nätspänningen överensstämmer med värdet på märkplåten.

- ◆ Ungdomar eller personer med svag hälsa får inte använda verktyget utan tillsyn. Håll uppsyn så att inga barn leker med apparaten.
- ◆ Om nätsladden är skadad måste den bytas ut av tillverkaren eller en godkänd Black & Decker serviceverkstad för att undvika risker.

Detaljbeskrivning

Verktyget har en del eller samtliga av nedanstående funktioner.

1. Strömbrytare
2. Låsknapp
3. Knapp för hastighetskontroll
4. Reglage höger- vänstergång
5. Omkopplare för borringsslag
6. Chuck
7. Djupanslag
8. Sidohandtag

Montering

Varning! Se till att verktyget är avstängt samt att det inte är anslutet innan monteringen börjar.

Montering av sidohandtaget och djupanslaget (fig. A)

- ◆ Vrid greppet motsols tills handtaget (8) kan skjutas på framtill på bormaskinen enligt bild.
- ◆ Vrid sidohandtaget till önskat läge.
- ◆ För in djupanslaget (7) i monteringshålet enligt bilden.
- ◆ Ställ in borrhjulet enligt nedanstående beskrivning.
- ◆ Drag åt sidohandtaget genom att vrida greppet medsols.

Placering av borr och skruvbits (fig. B & C)

Snabbchuck med spindellås (fig. B)

- ◆ Öppna chocken genom att vrida på hylsan (9) moturs.
- ◆ För in bitsskaftet (10) i chocken.
- ◆ Dra åt chocken genom att vrida på hylsan medurs.

Nyckelchuck (fig. C)

- ◆ Öppna chocken genom att vrida på hylsan (11) moturs.
- ◆ För in bitsskaftet (10) i chocken.
- ◆ Sätt i chucknyckeln (12) i vart och ett av hålen (13) på sidan av chocken, och dra åt ordentligt.

Avlägsnande och montering av chocken (fig. D)

- ◆ Öppna chocken så mycket det går.
- ◆ Avlägsna chuckens monteringskruv, som sitter inuti chocken, genom att vrida den medsols med en skruvmejsel.
- ◆ Vrid fast en insexnyckel i chocken och slå på den med en hammare enligt bilden.
- ◆ Ta bort insexnyckeln.
- ◆ Ta bort chocken genom att vrida den motsols.
- ◆ Sätt tillbaka chocken genom att skriva den på spindelns och lås fast den med fästskruven.

Användning

Varning! Överbelasta inte maskinen, låt den arbeta i sin egen takt.

Varning! Kontrollera var de elektriska ledningarna och rörledningarna är installerade innan du borrar i väggar, golv och tak.

Höger-/vänstergång

När du borrar och drar i skruvar ska verktyget rotera framåt (medurs). För att dra ur skruvar eller lossa ett borr som har kört fast, används rotation bakåt (moturs).

- ◆ Välj rotation framåt genom att föra reglaget (4) åt vänster.
- ◆ Välj rotation bakåt genom att föra reglaget åt höger.

Varning! Ändra aldrig rotationsriktning när motorn är igång.

Borrningsläge

- ◆ För borring i murverk ska omkopplaren för borrningsläge (5) ställas i **T**-läget.
- ◆ För borring i andra material och för skruvdragning ska omkopplaren för borrningsläge (5) ställas i **A**-läget.

Ställa in borrdjupet (fig. E)

- ◆ Lossa sidohandtaget (8) genom att vrida greppet motsols.
- ◆ Ställ djupanslaget (7) i önskat läge. Det största borrdjupet motsvarar avståndet mellan spetsen på borrbitsset och djupanslagets framkant.
- ◆ Drag åt sidohandtaget genom att vrida greppet medsols.

Start och stopp

- ◆ Starta verktyget genom att trycka på strömbrytaren/hastighetskontrollen (1). Verktygets hastighet beror på hur långt strömbrytaren trycks in. Om verktyget är försett med en ratt för variabel hastighet (3) så använd den för inställning av önskad hastighet. Normalt använder man låga varvtal för borrh med stor diameter, och höga varvtal för borrh med mindre diameter.
- ◆ Tryck in låsknappen (2) och släpp strömbrytaren om du vill att verktyget ska gå hela tiden. Denna möjlighet finns endast vid full hastighet eller den hastighet du har ställt in med hastighetsknappen (3). Möjligheten finns inte vid rotation bakåt.
- ◆ Stanna verktyget genom att släppa den steglösa strömbrytaren. För att stanna verktyget när det är inställt på kontinuerlig gång, så trycker du en gång till på strömbrytaren, och släpper sedan upp den.

Tillbehör

Verktygets användningsområde beror på vilket tillbehör du väljer. Black & Decker- och Piranhatillbehören är av hög kvalitet. Genom att använda dessa tillbehör kan du få ut mesta möjliga av verktyget.

Skötsel

Ditt verktyg har tillverkats för att fungera under lång tid med ett minimum av underhåll. Med rätt underhåll och regelbunden rengöring behåller verktyget sin prestanda.

Varning! Stäng av verktyget och dra ut sladden innan du påbörjar underhåll och skötsel.

- ◆ Rengör regelbundet verktygets luftintag med en mjuk borste eller torr trasa.
- ◆ Rengör kåpan regelbundet med en fuktig trasa. Använd aldrig rengöringsmedel med lösnings- eller slipmedel.

Miljöskydd



Särskild insamling. Denna produkt får inte kastas bland vanliga hushållssopor.

Om du någon gång i framtiden behöver ersätta din Black & Decker-produkt med en ny, eller inte längre behöver den, ska du inte kasta den i hushållssoporna. Denna produkt skall lämnas till särskild insamling.



Efter insamling av använda produkter och förpackningsmaterial kan materialen återvinnas och användas på nytt. Användning av återvunna material skonar miljön och minskar förbrukningen av råvaror.

Enligt lokal lagstiftning kan det förekomma särskilda insamlingar av uttjänt elutrustning från hushåll, antingen vid kommunala miljöstationer eller hos detaljhandlaren när du köper en ny produkt.

Black & Decker erbjuder en samlings- och återvinningstjänst för Black & Decker-produkter när de en gång har tjänat ut. För att använda den här tjänsten lämnar du in produkten till en auktoriserad B & D –reparatör/representant som tar hand om den för din räkning.

Närmaste auktoriserad Black & Decker-representant finner du genom det lokala Black & Decker-kontoret på adressen i den här manualen. Annars kan du söka på Internet, på listan över auktoriserade Black & Decker-representanter och alla uppgifter om vår kundservice och andra kontakter.

www.2helpU.com

Tekniska data

		KR703	KR704	KR705
Spänning	V_{AC}	230	230	230
Ineffekt	W	710	710	710
Obelastad hastighet	min^{-1}	0-3.100	0-3.100	0-3.100
Maximal borkkapacitet				
Stål/betong	mm	13/16	13/16	13/16
Trä	mm	32	32	32
Vikt	kg	2,11	2,11	2,11

		KR753	KR754	KR755
Spänning	V_{AC}	230	230	230
Ineffekt	W	750	750	750
Obelastad hastighet	min^{-1}	0-3.100	0-3.100	0-3.100
Maximal borkkapacitet				
Stål/betong	mm	13/16	13/16	13/16
Trä	mm	32	32	32
Vikt	kg	2,11	2,11	2,11

EC-förklaring om överensstämmelse

KR703/KR704/KR705/KR753/KR754/KR755

Black & Decker förklarar att dessa produkter överensstämmer med:

98/37/EEG, 89/336/EEG, 73/23/EEG, EN 55014, EN 60745, EN 61000

L_{pA} (bullertryck) 101 dB(A), L_{WA} (akustisk effekt) 112 dB(A),
vägt geometriskt vibrationsvärde hand/arm 15,4 m/s^2

K_{pA} (osäkerhet bullertryck) 3 dB(A),

K_{WA} (osäkerhet akustisk effekt) 3 dB(A)



Kevin Hewitt

Director of Consumer Engineering
Spennymoor, County Durham DL16 6JG,
Storbritannien
1-4-2006

För att utnyttja garantin skall produkten och inköpskvittot lämnas till återförsäljaren eller till en auktoriserad verkstad senast 2 månader efter det att felet har upptäckts. För information om närmaste auktoriserad verkstad; kontakta det lokala Black & Decker kontoret på den adress som är angiven i bruksanvisningen. En lista på alla auktoriserade verkstäder samt servicevillkor finns även tillgängligt på Internet, adress: www.2helpU.com

Besök vår webbplats www.blackanddecker.se för att registrera din nya Black & Decker-produkt samt för att erhålla information om nya produkter och specialerbjudanden. Vidare information om märket Black & Decker och vårt produktsortiment kan återfinnas på www.blackanddecker.se

Reservdelar / reparationer

Reservdelar finns att köpa hos auktoriserade Black & Decker verkstäder, som även ger kostnadsförslag och reparerar våra produkter.

Förteckning över våra auktoriserade verkstäder finns på Internet, vår hemsida www.blackanddecker.se samt www.2helpU.com

Garanti

Black & Decker garanterar att produkten är fri från material- och/eller fabriktionsfel vid leverans till kund. Garantin är i tillägg till konsumentens lagliga rättigheter och påverkar inte dessa. Garantin gäller inom medlemsstaterna i Europeiska Unionen och i det Europeiska Frihandelsområdet.

Om en Black & Decker produkt går sönder på grund av material- och/eller fabriktionsfel eller brister i överensstämmelse med specifikationen, inom 24 månader från köpet, åtar sig Black & Decker att reparera eller byta ut produkten med minsta besvär för kunden.

Garantin gäller inte för fel som beror på:

- ◆ normalt slitage
- ◆ felaktig användning eller skötsel
- ◆ att produkten skadats av främmande föremål, ämnen eller genom olyckshändelse

Garantin gäller inte om reparation har utförts av någon annan än en auktoriserad Black & Decker verkstad.

Bruksområder

Din Black & Decker hammerdrill er utformet for boring i tre, metall, plast og murverk, samt bruk som skrutrekker.

Verktøyet er tiltenkt kun som konsumentverktøy.

Generelle sikkerhetsforskrifter

Advarsel! Les gjennom alle anvisningene. Hvis anvisningene nedenfor ikke overholdes, kan det medføre elektrisk støt, brann og/eller alvorlige skader. Uttrykket «elektroverktøy» i alle advarslene nedenfor gjelder for strømdrevne elektroverktøy (med ledning) og batteridrevne elektroverktøy (uten ledning). TA GODT VARE PÅ DISSE ANVISNINGENE.

1. Arbeidsplassen

a. Hold arbeidsområdet rent og godt opplyst.

Rotete arbeidsområder og arbeidsområder uten godt lys kan føre til ulykker.

b. Ikke arbeid med elektroverktøy i eksplosjonsfarlige omgivelser – der det befinner seg brennbare væsker, gass eller støv. Elektroverktøy forårsaker gnister som kan antenne støv eller damper.

c. Hold barn og andre personer unna når elektroverktøyet brukes. Hvis du blir forstyrret under arbeidet, kan du miste kontrollen.

2. Elektrisk sikkerhet

a. Støpselet til elektroverktøyet må passe inn i stikkkontakten. Støpselet må ikke forandres på noen som helst måte. Ikke bruk adapterstøpsler sammen med jordete elektroverktøy. Bruk av originale støpsler og passende stikkontakter reduserer risikoen for elektrisk støt.

b. Unngå kroppskontakt med jordete overflater som rør, radiatorer, komfyrer og kjøleskap. Det er større fare for elektrisk støt hvis kroppen din er jordet.

c. Hold elektroverktøy unna regn eller fuktighet.

Dersom det kommer vann i et elektroverktøy, øker risikoen for elektrisk støt.

d. Unngå uforvarslig behandling av ledningen.

Elektroverktøyet må aldri bæres eller trekkes etter ledningen, og trekk heller ikke ut støpselet ved å rykke i ledningen. Hold ledningen unna varme, olje, skarpe kanter eller bevegelige deler. Med skadde eller sammenflokete ledninger øker risikoen for elektrisk støt.

e. Når du arbeider utendørs med et elektroverktøy, må du kun bruke en skjøteledning som er godkjent til utendørs bruk. Ved å bruke en skjøteledning som er egnet for utendørs bruk, reduseres risikoen for elektrisk støt.

3. Personikkerhet

a. Vær oppmerksom, pass på hva du gjør og gå fornuftig fram når du arbeider med et elektroverktøy.

Ikke bruk elektroverktøy når du er trett eller er påvirket av narkotika, alkohol eller medikamenter.

Et øyeblikks uoppmerksomhet under bruk av verktøyet kan føre til alvorlige personskader.

b. Bruk personlig verneutstyr. Bruk alltid vernebriller.

Bruk av personlig verneutstyr, for eksempel støvmaske, skliskre vernesko, hjelm eller hørselsvern som passer til forholdene, reduserer risikoen for personskader.

c. Unngå utilsiktet start av elektroverktøyet. Påse at bryteren står i posisjon "AV" før verktøyet koples til.

Det kan føre til ulykker hvis du bærer elektroverktøyet med fingeren på bryteren, eller kople til verktøyet når bryteren ikke står i posisjon "AV".

d. Fjern innstillingsverktøy eller skrunøkler før du slår på elektroverktøyet. Et verktøy eller en nøkkel som befinner seg i en roterende del, kan føre til personskade.

e. Ikke strekk deg for langt. Pass på at du alltid har sikkert fotfeste og god balanse. Da kan du kontrollere elektroverktøyet bedre i uventede situasjoner.

f. Bruk alltid egnede klær. Ikke bruk løstsittende klær eller smykker. Hold hår, klær og hanser unna bevegelige deler. Løstsittende tøy, smykker eller langt hår kan komme inn i bevegelige deler.

g. Hvis det kan monteres støvavsug- og oppsamlingsinnretninger, må du forvise deg om at disse er tilkoblet og brukes på korrekt måte. Bruk av disse innretningene reduserer faren for forbindelse med støv.

4. Aktsom håndtering og bruk av elektroverktøy

a. Ikke bruk makt på elektroverktøyet. Bruk et elektroverktøy som er beregnet på den type arbeid du vil utføre. Med et passende elektroverktøy arbeider du bedre og sikrer i det angitte effektområdet.

b. Ikke bruk elektroverktøy med defekt strømbryter.

Et elektroverktøy som ikke lenger kan slås av eller på med bryteren, er farlig og må repareres.

c. Trekk støpselet ut av stikkkontakten før du utfører innstillinger på elektroverktøyet, skifter tilbehørsdeler eller legger elektroverktøyet bort.

Disse tiltakene reduserer risikoen for en utilsiktet start av elektroverktøyet.

d. Elektroverktøy som ikke er i bruk, må oppbevares utilgjengelig for barn. Ikke la verktøyet brukes av personer som ikke er fortrolig med dette, eller som ikke har lest disse bruksanvisningene. Elektroverktøy er farlige når de brukes av uerfarne personer.

- e. **Vær nøye med vedlikehold av elektroverktøy. Kontroller om bevegelige deler fungerer feilfritt og ikke klemmes fast, om deler er brukket eller skadet og andre forhold som kan innvirke på elektroverktøyet funksjon. Hvis elektroverktøyet er skadet, må det repareres før bruk.** Dårlig vedlikeholdte elektroverktøy er årsaken til mange uhell.
- f. **Hold skjæreverktøy skarpe og rene.** Godt vedlikeholdte skjæreverktøy med skarpe egger setter seg ikke så ofte fast og er lettere å føre.
- g. **Bruk elektroverktøy, tilbehør, bits osv. i henhold til disse anvisningene og slik det er foreskrevet for denne spesielle verktøytypen. Ta hensyn til arbeidsforholdene og arbeidet som skal utføres.** Bruk av elektroverktøy til andre formål enn det som er angitt, kan føre til farlige situasjoner.

5. Service

- a. **Elektroverktøyet ditt skal alltid repareres av kvalifisert personell og kun med originale reservedeler.** Dette forsikrer at elektroverktøyet sikkerhet opprettholdes.

Ekstra sikkerhetsinstruksjoner for slagbor

- ◆ **Bruk hørselvern når du bruker slagbor.** Hvis du utsettes for støy, kan du miste hørselen.
- ◆ **Bruk ekstrahåndtakene som følger med verktøyet.** Hvis du mister kontrollen, kan det oppstå personskade.

Elektrisk sikkerhet



Dette apparatet er dobbeltisolert. Derfor er ikke jording nødvendig. Kontroller at nettspenningen er i overensstemmelse med spenningen på typeskiltet.

- ◆ Dette apparatet er ikke beregnet for bruk av unge eller uerfarne personer uten tilsyn. Barn må ha tilsyn for å sikre at de ikke leker med apparatet.
- ◆ Hvis strømledningen skades, må den skiftes ut av fabrikanten eller et autorisert Black & Decker servicesenter for å unngå fare.

Funksjoner

Dette verktøyet har noen av eller alle disse funksjonene:

1. Trinnløs strømbryter
2. Låseknapp
3. Trinnløs hastighetskontrollbryter
4. Bryter for høyre-/venstregange
5. Velger for drillmodus
6. Chuck
7. Dybdestopp
8. Sidehåndtak

Montering

Advarsel! Før monteringen, må du passe på at verktøyet er slått av og at kontakten er trukket ut.

Sette på sidehåndtaket og dybdestoppet (fig. A)

- ◆ Drei grepet mot klokken til du kan skyve sidehåndtaket (8) inn på forsiden av verktøyet, som vist.
- ◆ Drei sidehåndtaket til ønsket posisjon.
- ◆ Sett dybdestoppet (7) inn i festehullet, som vist.
- ◆ Still inn drilledybden som beskrevet under.
- ◆ Stram sidehåndtaket ved å dreie det med klokken.

Montering av drill- eller skrutrekkerbits (fig. B & C)

Hurtigchuck med spindellås (fig. B)

- ◆ Åpne chucken ved å dreie på kragen (9) mot klokken.
- ◆ Sett bitakselen (10) inn i chucken.
- ◆ Stram chucken ved å dreie på kragen med klokken.

Nøkkelchuck (fig. C)

- ◆ Åpne chucken ved å dreie på kragen (11) mot klokken.
- ◆ Sett bitakselen (10) inn i chucken.
- ◆ Sett chucknøkkelen (12) inn i hvert av hullene (13) på siden av chucken, og drei til det er stramt.

Ta av og sette tilbake chucken (fig. D)

- ◆ Åpne chucken så mye som mulig.
- ◆ Fjern chuckholderskruen, plassert i chucken, ved å skru den med klokken ved hjelp av en skrutrekker.
- ◆ Sett en sekskantnøkkel inn i chucken og gi den et slag med en hammer, som vist.
- ◆ Fjern sekskantnøkkelen.
- ◆ Fjern chucken ved å dreie den mot klokken.
- ◆ Du setter på chucken igjen ved å skru den inn på spindelen og feste den med festeskruen.

Bruk

Advarsel! La verktøyet jobbe med sin egen hastighet. Ikke overbelast det.

Advarsel! Før drilling i vegger, gulv eller tak, må du undersøke hvor ledninger og rør befinner seg.

Velge rotasjonsretning

Til drilling og tilstramming av skruer skal verktøyet rotere forover (med klokken). For å løsne skruer eller fjerne en blokkert drillbit bruker du rotasjon bakover (mot klokken).

- ◆ For å velge rotasjon forover trykker du bryteren (4) mot venstre.
- ◆ For å velge rotasjon bakover trykker du bryteren mot høyre.

Advarsel! Du må aldri bytte rotasjonsretning mens motoren er i gang.

Velge drillmodus

- ◆ Ved drilling i murverk stilles modusvelgeren (5) til posisjonen **T**.
- ◆ Ved drilling i annet materiale og for skrutrekking, stilles modusvelgeren (5) til posisjonen **A**.

Stille inn bordybden (fig. E)

- ◆ Slakne sidehåndtaket (8) ved å dreie det mot klokken.
- ◆ Still dybdestoppet (7) til ønsket posisjon. Maksimal drilledybde tilsvarende avstanden mellom tuppen av drillen og frontenden av dybdestoppet.
- ◆ Stram sidehåndtaket ved å dreie det med klokken.

Start og stopp

- ◆ Trykk på den trinnløse strømbryteren (1) for å slå verktøyet på. Verktøyet hastighet er avhengig av hvor langt inn du trykker bryteren. Hvis verktøyet har en bryter for variabel hastighet (3), stilles den til ønsket hastighetsområde. Vanligvis bør en bruke lave hastigheter til drillen med stor diameter og høye hastigheter for drillen med mindre diameter.
- ◆ Trykk på låseknappen (2) for kontinuerlig drift, og slipp den trinnløse strømbryteren. Dette alternativet er bare tilgjengelig ved full hastighet eller ved enhver hastighet som er forhåndsinnstilt med den trinnløse hastighetskontrollknappen (3). Alternativet virker ikke under rotasjon bakover.
- ◆ Slipp den trinnløse strømbryteren for å slå verktøyet av. Slå av verktøyet når det er i kontinuerlig drift ved å trykke en gang til på strømbryteren og slippe den.

Tilbehør

Verktøyet bruksområde er avhengig av hvilket tilbehør du velger. Tilbehør fra Black & Decker og Piranha er utformet i henhold til høye kvalitetsstandarder og er utformet for å gi optimal ytelse ved bruk sammen med ditt verktøy. Når du bruker dette tilbehøret, får du optimal ytelse fra ditt verktøy.

Vedlikehold

Verktøyet ditt er konstruert for å være i drift over lengre tid med et minimum av vedlikehold. Det er avhengig av godt vedlikehold og regelmessig rengjøring for å fungere som det skal til enhver tid.

Advarsel! Før alt vedlikehold må verktøyet slås av og kontakten trekkes ut.

- ◆ Rengjør ventileringåpningene på verktøyet regelmessig med en myk børste eller en tørr klut.

- ◆ Rengjør motorhuset regelmessig med en fuktig klut. Ikke bruk slipende eller løsemiddelbaserte rengjøringsmidler.

Miljøvern



Kildesortering. Dette produktet må ikke kastes i det vanlige husholdningsavfallet.

Hvis du finner ut at Black & Decker-produktet ditt må skiftes ut, eller hvis du ikke lenger har bruk for det, må du unnlate å kaste det sammen med det vanlige husholdningsavfallet. Sørg for at dette produktet gjøres tilgjengelig for kildesortering.



Kildesortering av brukte produkter og emballasje gjør det mulig å resirkulere materialer og bruke dem igjen. Gjenbruk av resirkulerte materialer bidrar til å forhindre forurensning av miljøet og reduserer behovet for råmaterialer.

Lokale regelverk kan legge tilrette for kildesortering av elektriske produkter fra husholdningen, ved kommunale deponier eller gjennom forhandleren når du kjøper et nytt produkt.

Black & Decker har tilrettelagt for innsamling og resirkulering av Black & Decker-produkter etter at de har utspilt sin rolle. Ønsker du å benytte deg av denne tjenesten, returnerer du produktet ditt til et autorisert serviceverksted, som tar det imot og formidler det videre.

Du kan få adressen til ditt nærmeste autoriserte serviceverksted ved å kontakte ditt lokale Black & Decker-kontor på adressen oppgitt i denne håndboken. Du kan også finne en komplett liste over autoriserte Black & Decker-serviceverksteder og utfyllende informasjon om vår etter salg-service og kontaktnumre på Internett på følgende adresse: www.2helpU.com

Tekniske data

		KR703	KR704	KR705
Spenning	V _{AC}	230	230	230
Inn-effekt	W	710	710	710
Hastighet ubelastet	min ⁻¹	0-3.100	0-3.100	0-3.100
Maks. drillekapasitet				
Stål/betong	mm	13/16	13/16	13/16
Tre	mm	32	32	32
Vekt	kg	2,11	2,11	2,11

		KR753	KR754	KR755
Spenning	V_{AC}	230	230	230
Inn-effekt	W	750	750	750
Hastighet ubelastet	min^{-1}	0-3.100	0-3.100	0-3.100
Maks. drillekapasitet				
Stål/betong	mm	13/16	13/16	13/16
Tre	mm	32	32	32
Vekt	kg	2,11	2,11	2,11

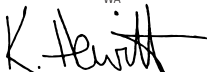
Samsvarserklæring for EU

KR703/KR704/KR705/KR753/KR754/KR755

Black & Decker erklærer at disse produktene overholder:
98/37/EØF, 89/336/EØF, 73/23/EØF, EN 55014, EN 60745,
EN 61000

L_{pA} (lydtrykk) 101 dB(A), L_{WA} (akustisk effekt) 112 dB(A),
hånd/arm-vektet vibrasjon 15,4 m/s²

K_{pA} (lydtrykksusikkerhet) 3 dB(A),
 K_{WA} (usikkerhet i akustisk effekt) 3 dB(A)



Kevin Hewitt
Adm. dir. for forbrukerteknikk
Spennymoor, County Durham DL16 6JG,
Storbritannia
1-4-2006

Garantien gjelder ikke for feil som kommer av:

- ◆ normal slittasje
- ◆ feilaktig bruk eller vedlikehold (mislighold)
- ◆ at produktet har blitt skadet av fremmede gjenstander, emner eller ved et uhell

Det gjøres oppmerksom på at produktet ikke er beregnet på industriell/profesjonell/yrkesmessig bruk, men til hus- og hjemmebruk.

Garantien gjelder ikke om reparasjoner har blitt utført av noen andre enn et autorisert Black & Decker serviceverksted.

For å ta garantien i bruk skal produktet og kjøpekvittring leveres til forhandleren eller til et autorisert serviceverksted senest 2 måneder etter at feilen har blitt oppdaget.

For informasjon om nærmeste autoriserte serviceverksted; kontakt det lokale Black & Decker kontoret på den adressen som er angitt i bruksanvisningen. En oversikt over alle autoriserte serviceverksteder samt servicevilkår finnes også tilgjengelig på Internet, adresse: **www.2helpU.com**

Vennligst stikk innom våre nettsider på **www.blackanddecker.no** for å registrere ditt nye Black & Decker-produkt og for å holde deg oppdatert om nye produkter og spesialtilbud. Du finner mer informasjon om Black & Decker og produktutvalget vårt på **www.blackanddecker.no**

Reservdeler / reparasjoner

Reservdeler kan kjøpes hos autoriserte Black & Decker serviceverksteder, som også gir kostnadsoverslag og reparerer våre produkter.

Oversikt over våre autoriserte serviceverksteder finnes på Internet, vår hjemmeside **www.blackanddecker.no** samt **www.2helpU.com**

Garanti

Black & Decker garanterer at produktet ikke har material- og/eller fabrikkasjonsfeil ved levering til kunde. Garantien er i tillegg til kundens lovlige rettigheter og påvirker ikke disse. Garantien gjelder innen medlemsstatene i den Europeiske Unionen og i det Europeiske Frihandelsområdet.

Hvis et Black & Decker produkt går i stykker på grunn av material- og/eller fabrikkasjonsfeil eller har mangler i forhold til spesifikasjonene, innen 24 måneder fra kjøpet, påtar Black & Decker seg å reparere eller bytte ut produktet med minst mulig vanskelighet for kunden.

Anvendelsesområde

Din Black & Decker borehammer er designet til at bore i træ, metal, plastic og murværk samt til skruetrækning. Værktøjet er kun beregnet til privat brug.

Generelle sikkerhedsregler

Advarsel! Læs alle instrukserne. Hvis nedenstående instrukser ikke følges, er der risiko for elektrisk stød, brand og/eller alvorlige personskader. Det benyttede begreb "el-værktøj" i nedennævnte advarsler refererer til netdrevne (med tilslutningsledning) eller batteridrevne maskiner (uden tilslutningsledning).

DISSE INSTRUKSER BØR OPBEVARES TIL SENERE BRUG.

1. Arbejdsområde

- a. **Sørg for, at arbejdsområdet er rent og ryddeligt.** Uordentlige og uoplyste arbejdsområder øger faren for uheld.
- b. **Brug ikke el-værktøj i eksplosionstruede omgivelser, f.eks. hvor der er brændbare væsker, gasser eller støv.** El-værktøj kan slå gnister, der kan antænde støv eller dampe.
- c. **Sørg for, at børn og andre personer holder sig på afstand, når el-værktøjet er i brug.** Hvis man distraheres, kan man miste kontrollen over maskinen.

2. El-sikkerhed

- a. **El-værktøjsstik skal passe til kontakten. Stikket må under ingen omstændigheder ændres. Brug ikke adapterstik sammen med jordforbundet el-værktøj.** Uændrede stik, der passer til kontakterne, nedsætter risikoen for elektrisk stød.
- b. **Undgå kropskontakt med jordforbundne overflader som f.eks. rør, radiatorer, komfurer og køleskabe.** Hvis din krop er jordforbundet, øges risikoen for elektrisk stød.
- c. **El-værktøj må ikke udsættes for regn eller fugt.** Indtrængen af vand i el-værktøj øger risikoen for elektrisk stød.
- d. **Undgå at ødelægge ledningen. Undgå at bære, trække eller afbryde el-værktøjet ved at rykke i ledningen. Beskyt ledningen mod varme, olie, skarpe kanter eller maskindele, der er i bevægelse.** Beskadigede eller indviklede ledninger øger risikoen for elektrisk stød.
- e. **Hvis el-værktøj benyttes i det fri, skal der benyttes en forlængerledning, som er godkendt til udendørs brug.** Brug af en forlængerledning til udendørs brug nedsætter risikoen for elektrisk stød.

3. Personlig sikkerhed

- a. **Det er vigtigt at være opmærksom, holde øje med, hvad man laver og bruge el-værktøjet fornuftigt. Man bør ikke bruge maskinen, hvis man er træt, har nydt alkohol eller er påvirket af medicin eller euforiserende stoffer.** Få sekunders uopmærksomhed ved brug af el-værktøjet kan føre til alvorlige personskader.
 - b. **Brug sikkerhedsudstyr. Brug altid beskyttelsesbriller.** Brug af sikkerhedsudstyr som f.eks. støvmaske, skridsikkert fodtøj, beskyttelseshjelm eller høreværn afhængigt af maskintype og anvendelse nedsætter risikoen for personskader.
 - c. **Undgå utilsigtet igangsætning. Sørg for, at el-værktøjets afbryder er på off, før det sluttes til strømmen.** Hvis man bærer el-værktøj med fingeren på afbryderen, eller hvis man slutter værktøjet til strømmen, mens afbryderen er på on, er der risiko for ulykker.
 - d. **Fjern indstillingsværktøj eller skruenøgle, inden el-værktøjet tændes.** Et værktøj eller en nøgle, der efterlades i en roterende del i el-værktøjet, kan resultere i personskader.
 - e. **Overvurder ikke dig selv. Sørg for, at du altid har sikkert fodfæste og balance.** Det gør det nemmere at kontrollere el-værktøjet, hvis der skulle opstå uventede situationer.
 - f. **Brug egnet arbejdstøj. Undgå løse beklædningsgenstande eller smykker. Hold hår, tøj og handsker væk fra dele, der bevæger sig.** Bevægelige dele kan gribe fat i løstsiddende tøj, smykker eller langt hår.
 - g. **Hvis støvsugnings- og opsamlingsudstyr kan monteres, er det vigtigt, at dette tilsluttes og benyttes korrekt.** Brug af dette udstyr nedsætter risikoen for personskader som følge af støv.
- ### 4. Brug og vedligeholdelse af el-værktøj
- a. **Undgå at overbelaste el-værktøjet. Brug altid det rette el-værktøj til opgaven.** Med det rigtige el-værktøj udføres arbejdet lettere og sikrere inden for det angivne effektområde.
 - b. **Brug ikke el-værktøjet, hvis afbryderen er defekt.** El-værktøj, der ikke kan kontrolleres med afbryderen, er farligt og skal repareres.
 - c. **Træk stikket ud af stikkontakten inden indstilling, tilbehørsudskiftning eller opbevaring af el-værktøjet.** Disse sikkerhedsforanstaltninger reducerer risikoen for utilsigtet start af værktøjet.
 - d. **Opbevar ubenyttet el-værktøj uden for børns rækkevidde. Lad aldrig personer, der ikke er fortrolige med el-værktøj, eller som ikke har gennemlæst disse instrukser, benytte maskinen.** El-værktøj er farligt, hvis det benyttes af ukyndige personer.

- e. **El-værktøj bør vedligeholdes omhyggeligt. Kontroller, om bevægelige dele fungerer korrekt og ikke sidder fast, og om delene er brækket eller beskadiget, således at el-værktøjets funktion påvirkes. Få beskadede dele repareret, inden el-værktøjet tages i brug.** Mange uheld skyldes dårligt vedligeholdt el-værktøj.

- f. **Sørg for, at skæreværktøjer er skarpe og rene.** Omhyggeligt vedligeholdt skæreværktøjer med skarpe skærekanten sætter sig ikke så hurtigt fast og er nemmere at føre.

- g. **Brug el-værktøj, tilbehør, indsatsværktøj osv. i overensstemmelse med disse instrukser, og sådan som det kræves for denne specielle værktøjstype. Tag hensyn til arbejdsforholdene og det arbejde, der skal udføres.** I tilfælde af anvendelse af el-værktøjet til formål, som ligger uden for det fastsatte anvendelsesområde, kan der opstå farlige situationer.

5. Service

- a. **Sørg for, at el-værktøjet kun reparerer af kvalificerede fagfolk, og at der kun benyttes originale reservedele.** Dermed opretholdes el-værktøjets sikkerhed.

Yderligere sikkerhedsanvisninger til slagbor

- ◆ **Brug høreværn, når du bruger slagbor.** Udsættelse for støj kan forårsage tab af hørelse.
- ◆ **Brug de hjælpehåndtag, der følger med maskinen.** Tab af kontrol kan forårsage lemlæstelser.

El-sikkerhed



Denne maskine er dobbelt isoleret. Derfor er jordledning ikke nødvendig. Kontroller altid, at strømforsyningen svarer til spændingen på typeskiltet.

- ◆ Dette apparat er ikke beregnet til at blive betjent af unge eller uerfarne personer uden opsyn. Der skal være opsyn med børn for at sikre, at de ikke leger med maskinen.
- ◆ Hvis el-ledningen er skadet, skal den udskiftes af producenten eller et autoriseret Black & Decker servicecenter for at undgå ulykker.

Funktioner

Dette værktøj har nogle af eller alle følgende funktioner:

1. Strømafbrøder med variabel hastighedskontrol
2. Låseknap
3. Betjeningsknap til variabel hastighed
4. Højre/venstre omskifter
5. Boremodusvælger
6. Borepatron

7. Dybdestop
8. Sidehåndtag

Montering

Advarsel! Før montering skal man sikre sig, at værktøjet er slukket og taget ud af stikkontakten.

Montering af sidehåndtaget og dybdestoppet (fig. A)

- ◆ Drej håndtaget mod uret, indtil du kan skubbe sidehåndtaget (8) på værktøjets front som vist.
- ◆ Drej sidehåndtaget i den ønskede position.
- ◆ Sæt dybdestoppet (7) i monteringshullet som vist.
- ◆ Indstil boreddybden som beskrevet herunder.
- ◆ Stram sidehåndtaget ved at dreje håndtaget med uret.

Påsætning af en borebit eller skruetrækkerbit (fig. B & C)

Nøgleløs borepatron med spindellås (fig. B)

- ◆ Åbn patronen ved at dreje på manchetten (9) mod uret.
- ◆ Sæt bittens stang (10) ind i patronen.
- ◆ Stram patronen ved at dreje på manchetten (9) med uret.

Borepatron med nøgle (fig. C)

- ◆ Åbn patronen ved at dreje på manchetten (11) mod uret.
- ◆ Sæt bittens stang (10) ind i patronen.
- ◆ Sæt patronnøglen (12) i hvert hul fidsbit8 i siden af patronen drej med uret indtil den er stram.

Udtagning og genindsætning af borepatronen (fig. D)

- ◆ Åbn borepatronen så meget som muligt.
- ◆ Fjern patronens fastholdelseskruer, der er placeret på patronen, ved at dreje den med uret med en skruetrækker.
- ◆ Stram en unbraconøgle (12) ind i borepatronen, og slå den med en hammer som vist.
- ◆ Fjern unbraconøglen.
- ◆ Fjern borepatronen ved at dreje den mod uret.
- ◆ Sæt borepatronen på plads igen ved at skrue den på spindelen og låse den med borepatronens fastholdelseskruer.

Anvendelse

Advarsel! Lad værktøjet arbejde i dets eget tempo. Det må ikke overbelastes.

Advarsel! Før der bores i vægge, gulve eller lofter checkes ledningers og rørs placering.

Valg af drejeretning

Til boring og stramning af skruer benyttes fremadrotation (med uret). Til løsning af skruer eller fjernelse af blokerede borebits bruges bagudrotation (mod uret).

- ◆ Vælg fremadrotation ved at skubbe fremad/bagud skyderen (4) til venstre.
- ◆ Vælg bagudrotation ved at skubbe fremad/bagud skyderen til højre.

Advarsel! Skift aldrig rotationsretning, mens motoren kører.

Valg af boremodus

- ◆ For at bore i murværk sættes boremodusvælgeren (5) i **T** position.
- ◆ For at bore i andre materialer sættes boremodusvælgeren (5) i **1** position.

Indstilling af borebynden (fig. E)

- ◆ Løsn sidehåndtaget (8) ved at dreje håndtaget mod uret.
- ◆ Indstil dybdestoppet (7) til den ønskede position. Den maksimale borebynde er lig med afstanden mellem borebittens spids og dybdestoppets forende.
- ◆ Stram sidehåndtaget ved at dreje håndtaget med uret.

Start og stop

- ◆ Tænd værktøjet ved at trykke på kontakten til variabel hastighed (1). Værktøjets hastighed afhænger af, hvor langt ind man trykker afbryderen. Hvis værktøjet har en betjeningsknap til variabel hastighed (3), sættes denne på det nødvendige hastighedsområde. Brug som en generel regel lave hastigheder til borebit med stor diameter og høje hastigheder til borebits med mindre diameter.
- ◆ Værktøjet sættes til vedvarende drift ved at trykke på låseknappen (2) og slippe kontakten til variabel hastighed. Denne funktion kan kun bruges ved fuld hastighed eller ved enhver hastighed, der er forudindstillet med hastighedskontrolknappen (3). Denne funktion fungerer ikke i bagudrotation.
- ◆ Sluk værktøjet ved at slippe kontakten til variabel hastighed. Sluk for værktøjet, mens det arbejder i vedvarende drift ved at trykke kontakten til variabel hastighed ind én gang til og derefter slippe den.

Tilbehør

Værktøjets ydeevne afhænger af, hvilket tilbehør der bruges. Black & Decker og Piranha tilbehør er konstrueret, så det opfylder høje kvalitetsstandarder, og det er beregnet til at forbedre værktøjets ydeevne. Bruger du dette tilbehør, vil du få det allerbedste ud af værktøjet.

Vedligeholdelse

Værktøjet er beregnet til at være i drift gennem en længere periode med minimal vedligeholdelse. Forsat tilfredsstillende drift afhænger af korrekt behandling af værktøjet samt regelmæssig rengøring.

Advarsel! Før udførelse af vedligeholdelsesarbejde skal værktøjet slukkes og tages ud af stikkontakten.

- ◆ Man skal regelmæssigt rengøre værktøjets ventilationshuller med en blød børste eller en tør klud.
- ◆ Man skal regelmæssigt gøre motorhuset rent med en fugtig klud. Man må ikke bruge slibemidler eller opløsningsmidler.

Beskyttelse af miljøet



Separat indsamling. Dette produkt må ikke bortskaffes sammen med almindeligt husholdningsaffald.

Hvis du en dag skal udskifte dit Black & Decker produkt, eller hvis du ikke skal bruge det længere, må du ikke bortskaffe det sammen med husholdningsaffald. Dette produkt skal være tilgængeligt for separat indsamling.



Separat indsamling af brugte produkter og emballage gør det muligt at genbruge materialer. Genbrugte materialer forebygger miljøforurening og nedbringer behovet for råstoffer.

Lokale regler kan give mulighed for separat indsamling af elektriske husholdningsprodukter på kommunale lossepladser eller hos den forhandler, som du købte produktet af.

Black & Decker har en facilitet til indsamling og genbrug af Black & Decker-produkter, når deres levetid er slut. Få fordelene ved denne service ved at returnere produktet til en autoriseret tekniker, der samler værktøj sammen på vores vegne.

Du kan få oplyst den nærmeste autoriserede tekniker ved at kontakte det lokale Black & Decker-kontor på den adresse, der er angivet i denne brugsanvisning. Alternativt findes der en liste over autoriserede Black & Decker-teknikere og oplysninger om vores eftersalgsservice og kontaktpersoner på Internettet på adressen: www.2helpU.com

Tekniske data

		KR703	KR704	KR705
Spænding	V _{AC}	230	230	230
Motoreffekt	W	710	710	710
Ubelastet hastighed	min ⁻¹	0-3.100	0-3.100	0-3.100
Maks. borekapacitet				
Stål/beton	mm	13/16	13/16	13/16
Træ	mm	32	32	32
Vægt	kg	2,11	2,11	2,11

		KR753	KR754	KR755
Spænding	V _{AC}	230	230	230
Motoreffekt	W	750	750	750
Ubelastet hastighed	min ⁻¹	0-3.100	0-3.100	0-3.100
Maks. borekapacitet				
Stål/beton	mm	13/16	13/16	13/16
Træ	mm	32	32	32
Vægt	kg	2,11	2,11	2,11

EU overensstemmelseserklæring

KR703/KR704/KR705/KR753/KR754/KR755

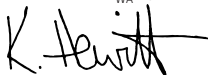
Black & Decker erklærer, at disse produkter er i overensstemmelse med følgende:

98/37/EØF, 89/336/EØF, 73/23/EØF, EN 55014, EN 60745, EN 61000

L_{DA} (lydtryk) 101 dB(A), L_{WA} (lydintensitet) 112 dB(A),
hånd/arm vægtet vibration 15,4 m/s²

K_{DA} (lydtryk usikkerhed) 3 dB(A),

K_{WA} (lydintensitet usikkerhed) 3 dB(A)



Kevin Hewitt

Director of Consumer Engineering
Spennymoor, County Durham DL16 6JG,
Storbritannien
1-4-2006

Garantien gælder ikke for fejl og mangler, der er sket i forbindelse med:

- ◆ normal slitage
- ◆ uheldige følger efter unormal anvendelse af værktøjet
- ◆ overbelastning, hærværk eller overdrevent intensivt brug af værktøjet
- ◆ ulykkehændelse

Garantien gælder ikke hvis reparationer er udført af nogen anden end et autoriseret Black & Decker værksted.

For at udnytte garantien skal produktet og købskvitteringen indleveres til forhandleren eller til et autoriseret værksted, senest 2 måneder efter at fejlen opdages. For information om nærmeste autoriserede værksted: kontakt det lokale Black & Decker kontor på den adresse som er opgivet i brugsanvisningen. Liste over alle autoriserede Black & Decker serviceværksteder samt servicevilkår er tilgængelig på internettet, på adressen **www.2helpU.com**

Gå venligst ind på vores website **www.blackanddecker.dk** for at registrere dit nye produkt og for at blive holdt ajour om nye produkter og specialtilbud. Der findes yderligere oplysninger om mærket Black & Decker og vores produktsortiment på adressen **www.blackanddecker.dk**

Reserve dele / reparationer

Reserve dele kan købes hos autoriserede Black & Decker serviceværksteder, som giver forslag til omkostninger og reparerer vore produkter. Oversigt over vore autoriserede værksteder findes på internettet på vor hjemmeside

www.blackanddecker.dk samt **www.2helpU.com**

Garanti

Black & Decker garanterer, at produktet er fri for materielle skader og/eller fabrikationsfejl ved levering til kunden. Garantien er et tillæg til konsumentens lovlige rettigheder og påvirker ikke disse. Garantien gælder indenfor medlemsstaterne af den Europæiske Union og i det Europæiske Frihandelsområde.

Hvis et Black & Decker produkt går i stykker på grund af materiel skade og/eller fabrikationsfejl eller på anden måde ikke fungerer i overensstemmelse med specifikationen, inden for 24 måneder fra købsdatoen, påtager Black & Decker sig at reparere eller ombytte produktet med mindst muligt besvær for kunden.

Käyttötarkoitus

Black & Deckerin iskuporakone on tarkoitettu ruuvaamiseen sekä puun, metallin, muovin ja betonin poraamiseen. Kone on tarkoitettu kotikäyttöön.

Yleiset turvallisuutta koskevat säännöt

Varoitus! Kaikki ohjeet täytyy lukea. Alla olevien ohjeiden noudattamisen laiminlyönti saattaa johtaa sähköiskun, tulipaloon ja/tai vakavaan loukkaantumiseen.

Seuraavassa käytetty käsite ”sähkötyökalu” käsittää verkkokäyttöisiä sähkötyökaluja (verkkojohdolla) ja akkukäyttöisiä sähkötyökaluja (ilman verkkojohtoa). SÄILYTÄ NÄMÄ OHJEET HYVIN.

1. Työalue

a. Pidä työskentelyalue puhtaana ja hyvin valaistuna.

Työpaikan epäjärjestys ja valaisemattomat työalueet voivat johtaa tapaturmiin.

b. Älä työskentele sähkötyökalulla räjähdyksalttiissa ympäristössä, jossa on palavaa nestettä, kaasua tai pölyä.

Sähkötyökalu muodostaa kipinöitä, jotka saattavat sytyttää pölyn tai höyryt.

c. Pidä lapset ja sivulliset loitolla sähkötyökalua käyttäessäsi.

Voit menettää laitteesi hallinnan, huomiosi suuntautuessa muualle.

2. Sähköturvallisuus

a. Sähkötyökalun pistotulpan tulee sopia pistorasiaan.

Pistotulppaa ei saa muuttaa millään tavalla. Älä käytä mitään pistorasia-adaptoreita maadoitettujen sähkötyökalujen kanssa. Alkuperäisessä kunnossa olevat pistotulpat ja sopivat pistorasiat vähentävät sähköiskun vaaraa.

b. Vältä koskettamasta maadoitettuja pintoja, kuten putkia, pattereita, liesiä tai jääkaappeja.

Sähköiskun vaara kasvaa, jos kehosi on maadoitettu.

c. Älä altista sähkötyökalua sateelle tai kosteudelle.

Veden tunkeutuminen sähkötyökalun sisään kasvattaa sähköiskun riskiä.

d. Älä käytä verkkojohtoa väärin. Älä käytä sitä sähkötyökalun kantamiseen, vetämiseen tai pistotulpan irrottamiseen pistorasiasta. Pidä johto loitolla kuumuudesta, öljystä, terävistä reunoista ja liikkuvista osista.

Vahingoittuneet tai sotkeutuneet johdot kasvattavat sähköiskun vaaraa.

e. Käyttäessäsi sähkötyökalua ulkona, käytä ainoastaan ulkokäyttöön soveltuvaa jatkojohtoa.

Ulkokäyttöön soveltuvan jatkojohdon käyttö pienentää sähköiskun vaaraa.

3. Henkilöturvallisuus

a. Ole valpas, kiinnitä huomiota työskentelyysi ja noudata tervettä järkeä sähkötyökalua käyttäessäsi.

Älä käytä sähkötyökalua, jos olet väsynyt tai huumeiden, alkoholin tahi lääkkeiden vaikutuksen alaisena. Hetken tarkkaamattomuus sähkötyökalua käytettäessä saattaa johtaa vakavaan loukkaantumiseen.

b. Käytä suojavarusteita. Käytä aina suoja-laseja.

Suojavarusteet, kuten pölynsuojanaamari, luistamattomat turvajalkineet, kypärä ja kuulosuojaimet pienentävät tilanteen mukaan oikein käytettynä, loukkaantumisriskiä.

c. Vältä sähkötyökalun tahatonta käynnistämistä.

Varmista, että kytkin on off-asennossa ennen kytkennän tekemistä. Onnettomuusvaara lisääntyy, jos kannat sähkötyökalua sormi käyttökytkimellä tai kytket työkalun virtajohdon pistorasiaan, kun käyttökytkin on päällä.

d. Poista kaikki säätötyökalut ja ruuvitaltat, ennen kuin käynnistät sähkötyökalun.

Työkalu tai avain, joka sijaitsee laitteen pyöriässä osassa, saattaa johtaa loukkaantumiseen.

e. Älä kurkota. Seiso aina tukevasti ja tasapainossa.

Täten voit paremmin hallita sähkötyökalua odottamattomissa tilanteissa.

f. Käytä tarkoitukseen soveltuvia vaatteita. Älä käytä löysiä työvaatteita tai koruja. Pidä hiukset, vaatteet ja käsineet loitolla liikkuvista osista.

Väljät vaatteet, korut ja pitkät hiukset voivat takertua liikkuviin osiin.

g. Jos pölynimu- ja keräilylaitteita voidaan asentaa työkalun, sinun pitää tarkistaa, että ne on liitetty ja että niitä käytetään oikealla tavalla.

Näiden laitteiden käyttö vähentää pölyn aiheuttamia vaaroja.

4. Sähkötyökalujen käyttö ja hoito

a. Älä ylikuormita laitetta. Käytä kyseiseen työhön tarkoitettua sähkötyökalua.

Sopivaa sähkötyökalua käyttäen työskentelet paremmin ja varmemmin tehoalueella, jolle sähkötyökalu on tarkoitettu.

b. Älä käytä sähkötyökalua, jota ei voida käynnistää ja pysäyttää virtakytkimestä.

Sähkötyökalu, jota ei enää voida käynnistää ja pysäyttää käynnistyskytkimellä, on vaarallinen ja se täytyy korjata.

c. Irrota pistotulppa pistorasiasta, ennen kuin suoritat säätöjä, vaihdat tarvikkeita tai siirät sähkötyökalun varastoitavaksi.

Nämä turvatoimenpiteet pienentävät sähkötyökalun tahattoman käynnistysriskin.

d. Säilytä sähkötyökalut poissa lasten ulottuvilta, kun niitä ei käytetä. Älä anna sellaisten henkilöiden käyttää sähkötyökalua, jotka eivät tunne sitä tai jotka eivät ole lukeneet tätä käyttöohjetta.

Sähkötyökalut ovat vaarallisia, jos niitä käyttävät kokemattomat henkilöt.

- e. **Hoida sähkötyökaluasi huolella. Tarkista, että liikkuvat osat toimivat moitteettomasti, eivätkä ole puristuksessa ja että työkalussa ei ole murtuneita tai vahingoittuneita osia, jotka saattaisivat vaikuttaa haitallisesti sen toimintaan. Korjautattaa mahdolliset viat ennen käyttöönottoa.** Moni tapaturma aiheutuu huonosti huolletuista laitteista.
- f. **Pidä leikkausterät terävinä ja puhtaina.** Huolellisesti hoidetut leikkaustyökalut, joiden leikkausreunat ovat teräviä, eivät tartu helposti kiinni ja niitä on helpompi hallita.
- g. **Käytä sähkötyökaluja, tarvikkeita, vaihtotyökaluja jne. näiden ohjeiden mukaisesti ja tavalla, joka on tarkoitettu erityisesti kyseiselle sähkötyökalulle. Ota tällöin huomioon työolosuhteet ja suoritettava toimenpide.** Sähkötyökalun käyttö muuhun kuin sille määrättyyn käyttöön, saattaa johtaa vaarallisiin tilanteisiin.

5. Huolto

- a. **Anna koulutettujen ammattitaitoisten henkilöiden korjata sähkötyökaluasi ja hyväksy korjauksiin vain alkuperäisiä varaosia.** Täten varmistat, että sähkötyökalu säilyy turvallisena.

Lisäturvaohteet iskuporakoneille

- ◆ **Käytä kuulonsuojaimia iskuporakoneiden käytön yhteydessä.** Altistuminen melulle voi aiheuttaa kuulovammoja.
- ◆ **Käytä koneen varusteisiin kuuluvia lisäkahvoja.** Koneen hallinnan menetys voi aiheuttaa loukkaantumisen.

Sähköturvallisuus



Tämä laite on kaksoiseristetty; siksi erillistä maadoitusta ei tarvita. Tarkista aina, että virtalähde vastaa arvokilvessä ilmoitettua jännitettä.

- ◆ Tätä laitetta ei ole tarkoitettu nuorten henkilöiden käyttöön tai vajaavaltaisten henkilöiden käyttöön ilman valvontaa. Lapsia on valvottava, etteivät he leiki koneen kanssa.
- ◆ Jos sähköjohto on vaurioitunut, sen saa vaihtaa vain valtuutetussa Black & Deckerin huoltoliikkeessä vaaratilanteiden välttämiseksi.

Ominaisuudet

Tällä koneella on kaikki tai joitakin seuraavista ominaisuuksista.

1. Virrankatkaisija portaattomalla nopeudensäädöllä
2. Lukitusnappi
3. Nopeudensäätönappi
4. Suunnanvaihtokytkin
5. Poraustavan valitsin
6. Istukka

7. Syvyydenrajoitin
8. Sivukahva

Kokoaminen

Varoitus! Ennen kokoamista varmista, että kone on pois päältä eikä sitä ole liitetty virtalähteeseen.

Sivukahvan ja syvyydenrajoittimen kiinnittäminen (kuva A)

- ◆ Kierrä kädensijaa vastapäivään, kunnes voit työntää sivukahvan (8) koneeseen kuvan osoittamalla tavalla.
- ◆ Käännä sivukahva haluttuun asentoon.
- ◆ Laita syvyydenrajoitin (7) sivukahvassa olevaan reikään kuvan osoittamalla tavalla.
- ◆ Aseta poraussyvyys alla kuvatulla tavalla.
- ◆ Kiristä sivukahva kiertämällä kädensijaa myötäpäivään.

Poranterän ja ruuvitalan asennus (kuva B & C)

Pikaistukka, jossa on karalukko (kuva B)

- ◆ Avaa istukka kiertämällä holkkia (9) vastapäivään.
- ◆ Laita tarvike (10) istukkaan.
- ◆ Kiristä istukka kiertämällä holkkia myötäpäivään.

Avainistukka (kuva C)

- ◆ Avaa istukka kiertämällä holkkia (11) vastapäivään.
- ◆ Laita tarvike (10) istukkaan.
- ◆ Laita istukan avain (12) vuorotellen jokaiseen istukassa olevaan reikään (13) ja kiristä kunnolla.

Istukan poisto ja kiinnitys (kuva D)

- ◆ Avaa istukkaa niin paljon kuin mahdollista.
- ◆ Poista istukan kiristysruuvi, joka on istukassa kiertämällä sitä myötäpäivään ruuvimeisselillä.
- ◆ Kiristä kuusiokoloavain istukkaan ja lyö sitä kevyesti vasaralla kuvan osoittamalla tavalla.
- ◆ Poista kuusiokoloavain.
- ◆ Poista istukka kiertämällä sitä vastapäivään.
- ◆ Kiinnittäaksesi istukan uudelleen ruuvaa se karaan ja lukitse kiristysruuvilla.

Käyttö

Varoitus! Anna koneen käydä omaan tahtiinsa. Älä ylikuormita sitä.

Varoitus! Ennen seinien, lattioiden tai kattojen poraamista tarkista sähköjohtojen ja putkistojen sijainnit.



Suunnanvaihto

Käytä eteenpäin (myötäpäivään) suuntautuvaa pyörimisliikettä poraamiseen ja ruuvien kiristämiseen. Käytä taaksepäin (vastapäivään) suuntautuvaa pyörimisliikettä ruuvien tai jumiutuneen poranterän irrottamiseen.

- ♦ Valitaksesi pyörimissuunnan eteenpäin siirrä suunnanvaihtokytkintä (4) vasemmalle.
- ♦ Kun haluat vaihtaa pyörimissuunnan taaksepäin, siirrä suunnanvaihtokytkintä oikealle.

Varoitus! Älä koskaan vaihda pyörimissuuntaa koneen käydessä.

Poraustavan valinta

- ♦ Porattaessa betonia tulee poraustavan valitsimen (5) olla kuvan  kohdalla.
- ♦ Porattaessa muita materiaaleja tai ruuvattaessa tulee poraustavan valitsimen olla kuvan (5)  kohdalla.

Poraussyvyyden säätäminen (kuva E)

- ♦ Löysää sivukahvaa (8) kääntämällä otekohtaa vastapäivään.
- ♦ Laita syvyydenrajoitin (7) haluttuun syvyyteen. Suurin mahdollinen poraussyvyys on sama kuin etäisyys poranterän kärjen ja syvyydenrajoittimen etupään välillä.
- ♦ Kiristä sivukahva kiertämällä kädensijaa myötäpäivään.

Käynnistys ja pysäytys

- ♦ Käynnistä kone painamalla virrankatkaisijaa (1). Koneen nopeus riippuu siitä, kuinka paljon virrankatkaisijaa painetaan. Jos koneessa on nopeudensäätönuppi (3), käytä sitä säätääksesi nopeutta. Käytä alhaista nopeutta poratessasi terillä, joiden halkaisija on suuri ja suurta nopeutta, kun terän halkaisija on pieni.
- ♦ Lukitaksesi virrankatkaisijan jatkuvaa toimintaa varten paina lukitusnappia (2) ja päästä irti virrankatkaisijasta. Tämä vaihtoehto on käytettävissä vain täydellä nopeudella tai muulla nopeudella, joka on valittu portaattomalla nopeudensäädön nupilla (3). Tämä optio ei toimi taaksepäin.
- ♦ Sammuta kone päästämällä irti virrankatkaisijasta. Sammuttaaksesi koneen, jonka virrankatkaisijan lukitsin on päällä, paina virrankatkaisijaa vielä kerran ja päästä siitä irti.

Tarvikkeet

Koneen käyttöalue riippuu käytettävästä tarvikkeesta. Black & Decker- ja Piranha- tarvikkeet ovat korkealaatuisia. Käyttämällä näitä tarvikkeita saat koneestasi irti parhaan mahdollisen.

Huolto

Jiirisaha on suunniteltu toimimaan mahdollisimman pitkään mahdollisimman vähällä huollolla. Asianmukainen käyttö ja säännönmukainen puhdistus takaavat laitteen jatkuvan tyydyttävän toiminnan.

Varoitus! Ennen huoltoa ja puhdistusta tulee koneen olla pois päältä ja irti virtalähteestä.

- ♦ Puhdista työkalun ilma-aukot säännöllisesti pehmeällä harjalla tai kuivalla rievulla.
- ♦ Puhdista laitteen kuori säännöllisesti kostealla siivousliinalla. Älä koskaan käytä puhdistamiseen liuotinaiteita tai syövyttäviä puhdistusaineita.

Ympäristö



Erillinen keräys. Tätä tuotetta ei saa hävittää normaalin kotitalousjätteen kanssa.

Kun Black & Decker -koneesi on käytetty loppuun, älä hävitä sitä kotitalousjätteen mukana. Tämä tuote on kerätävä erikseen.



Käytettyjen tuotteiden ja pakkausten erillinen keräys mahdollistaa materiaalien kierrätyksen ja uudelleenkäytön. Kierrätettyjen materiaalien uudelleenkäyttö auttaa ehkäisemään ympäristön saastumisen ja vähentää raaka-aineiden kysyntää.

Paikallisten säännösten mukaisesti on mahdollista viedä kotitalouksien sähkölaitteet kuntien kaatopaikoille tai jättää ne vähittäismyyjälle ostettaessa uusi tuote.

Black & Decker tarjoaa mahdollisuuden Black & Decker – tuotteiden keräykseen ja kierrätykseen sen jälkeen, kun ne on poistettu käytöstä. Jotta voisit hyötyä tästä palvelusta, palauta laitteesi johonkin valtuutettuun huoltoliikkeeseen, joka kerää laitteet meidän puolestamme.

Voit tarkistaa lähimmän valtuutetun huoltoliikkeen sijainnin ottamalla yhteyden Black & Deckerin toimistoon, joka sijaitsee tässä käsikirjassa annetussa osoitteessa. Lista valtuutetuista Black & Decker -huoltoliikkeistä sekä yksityiskohtaiset tiedot korjauspalvelustamme ovat vaihtoehtoisesti saatavilla Internetissä, osoitteessa www.2helpU.com

Tekniset tiedot

		KR703	KR704	KR705
Jännite	V _{AC}	230	230	230
Ottoteho	W	710	710	710
Kuormittamaton nopeus	min ⁻¹	0-3.100	0-3.100	0-3.100
Max. porausteho				
Teräs/betoni	mm	13/16	13/16	13/16
Puu	mm	32	32	32
Paino	kg	2,11	2,11	2,11

		KR753	KR754	KR755
Jännite	V _{AC}	230	230	230
Ottoteho	W	750	750	750
Kuormittamaton nopeus	min ⁻¹	0-3.100	0-3.100	0-3.100
Max. porausteho				
Teräs/betoni	mm	13/16	13/16	13/16
Puu	mm	32	32	32
Paino	kg	2,11	2,11	2,11

EU:n yhdenmukaisuusilmoitus

KR703/KR704/KR705/KR753/KR754/KR755

Black & Decker vakuuttaa näiden tuotteiden olevan seuraavien standardien vaatimusten mukaisia:

98/37/EC, 89/336/EEC, 73/23/EEC, EN 55014, EN 60745, EN 61000

L_{PA} (äänenpaine) 101 dB(A), L_{WA} (akustinen teho) 112 dB(A), käden/käsivarren painotettu väräin 15,4 m/s²

K_{PA} (äänenpaineen epävarmuus) 3 dB(A),

K_{WA} (akustisen tehon epävarmuus) 3 dB(A)



Kevin Hewitt

Director of Consumer Engineering
Spennymoor, County Durham DL16 6JG,
Iso-Britannia
1-4-2006

Korjaukset / varaosat

Mikäli koneeseen tulee vikaa, jätä se aina Black & Deckerin valtuuttamaan huoltoliikkeeseen korjattavaksi (tiedot löytyvät uusimmasta tuoteluettelostamme tai ottamalla yhteyttä Black & Decker Oy:hyn). Varaosia myyvät valtuutetut Black & Deckerin huoltoliikkeet, ja heiltä voi myös pyytää kustannusarvion koneen korjauksesta.

Tiedot valtuutetuista huoltoliikkeistä löytyvät myös internetistä osoitteesta www.2helpU.com sekä kotisivuiltamme www.blackanddecker.fi

Takuu

Black & Decker Oy takaa, ettei koneessa ollut materiaali- ja/ tai valmistusvikaa silloin, kun se toimitettiin ostajalle.

Takuu on lisäksi kuluttajan laillisiin oikeuksiin eikä vaikuta niihin. Takuu on voimassa Euroopan Unionin jäsenmaissa ja Euroopan vapaakauppa-alueella (EFTA).

Mikäli Black & Decker -kone hajoaa materiaali- ja/ tai valmistusvirheen tai teknisten tietojen epätarkkuuden vuoksi 24 kk:n kuluessa ostopäivästä, Black & Decker korjaa koneen ilman kustannuksia ostajalle tai vaihtaa sen uuteen Black & Decker Oy:n valinnan mukaan.

Takuu ei kata vikoja, jotka johtuvat koneen

- ◆ normaalista kulumisesta
- ◆ ylikuormituksesta, virheellisestä käytöstä tai hoidosta
- ◆ vahingoittamisesta vieraalla esineellä tai aineella tai onnettomuustapauksessa.

Takuu ei ole voimassa, mikäli konetta on korjannut joku muu kuin Black & Deckerin valtuuttama huoltoliike.

Edellytyksenä takuun saamiselle on, että ostaja jättää koneen ja ostokuitin jälleenmyyjälle tai valtuutetulle huoltoliikkeelle viimeistään 2 kuukauden kuluessa vian ilmenemisestä. Tiedot valtuutetuista huoltoliikkeistä saa ottamalla yhteyttä Black & Decker Oy:hyn sekä internetistä osoitteesta www.2helpU.com, jossa on myös takuehdot.

Voit vieraila verkkosivullamme www.blackanddecker.fi rekisteröidäksesi uuden Black & Decker-tuotteesi ja saadaksesi tietoa uusista tuotteista ja erikoistarjouksista. Saat lisätietoja Black & Deckerin tavaramerkistä ja tuotevalikoimastamme osoitteesta www.blackanddecker.fi

Ενδεδειγμένη χρήση

Το κρουστικό δράπανο Black & Decker έχει σχεδιαστεί για διάτρηση σε ξύλο, μέταλλο, πλαστικά και μαλακά δομικά υλικά, καθώς και για εφαρμογές βιδώματος.

Αυτο το εργαλείο προορίζεται μόνο για ερασιτεχνική χρήση.

Γενικοί κανόνες ασφαλείας

Προειδοποίηση! Διαβάστε όλες τις υποδείξεις. Η μη τήρηση όλων των παρακάτω υποδείξεων μπορεί να προκαλέσει ηλεκτροπληξία, πυρκαγιά ή/και σοβαρούς τραυματισμούς. Ο χαρακτηρισμός “ηλεκτρικό εργαλείο” που χρησιμοποιείται στις παρακάτω προειδοποιητικές υποδείξεις αφορά ή το εργαλείο που συνδέεται στην πρίζα (με καλώδιο) ή το εργαλείο που λειτουργεί με μπαταρία (χωρίς καλώδιο).
ΦΥΛΑΞΤΕ ΑΥΤΕΣ ΤΙΣ ΟΔΗΓΙΕΣ.

1. Χώρος εργασίας

- a. **Διατηρείτε το χώρο που εργάζεστε καθαρό και καλά φωτισμένο.** Η αταξία στο χώρο που εργάζεστε και τα σημεία χωρίς καλό φωτισμό μπορεί να οδηγήσουν σε ατυχήματα.
6. **Μη χρησιμοποιείτε τα ηλεκτρικά εργαλεία σε περιβάλλον όπου υπάρχει κίνδυνος έκρηξης, π.χ. παρουσία εύφλεκτων υγρών, αερίων ή σκόνης.** Τα ηλεκτρικά εργαλεία μπορεί να δημιουργήσουν σπινθηρισμό ο οποίος μπορεί να αναφλέξει τη σκόνη ή τις αναθυμιάσεις.
- γ. **Όταν χρησιμοποιείτε το ηλεκτρικό εργαλείο, κρατάτε τα παιδιά και τα υπόλοιπα άτομα μακριά από το χώρο που εργάζεστε.** Σε περίπτωση που άλλα άτομα αποσπάσουν την προσοχή σας μπορεί να χάσετε τον έλεγχο του μηχανήματος.

2. Ασφαλής χρήση του ηλεκτρικού ρεύματος

- a. **Το φως του καλωδίου του ηλεκτρικού εργαλείου πρέπει να ταιριάζει στην αντίστοιχη πρίζα. Δεν επιτρέπεται με κανένα τρόπο η μετασκευή του φως. Μη χρησιμοποιείτε προσαρμοστικά φως στα γειωμένα ηλεκτρικά εργαλεία.** Τα φως που δεν έχουν υποστεί τροποποιήσεις και οι κατάλληλες πρίζες μειώνουν τον κίνδυνο ηλεκτροπληξίας.
6. **Αποφύγετε την επαφή του σώματός σας με γειωμένες επιφάνειες όπως σωλήνες, θερμαντικά σώματα (καλοριφέρ), κουζίνες και ψυγεία.** Όταν το σώμα σας είναι γειωμένο, αυξάνεται ο κίνδυνος ηλεκτροπληξίας.
- γ. **Μην εκθέτετε το ηλεκτρικό εργαλείο στη βροχή ή την υγρασία.** Η διείσδυση νερού στο ηλεκτρικό εργαλείο αυξάνει τον κίνδυνο ηλεκτροπληξίας.
- δ. **Μην κακομεταχειρίζεστε το καλώδιο. Μη χρησιμοποιήσετε ποτέ το καλώδιο για να μεταφέρετε, να τραβήξετε ή να αποσυνδέσετε το εργαλείο από την πρίζα. Κρατάτε το καλώδιο μακριά από υψηλές θερμοκρασίες, λάδια, κοφτερές ακμές ή κινούμενα εξαρτήματα.** Τυχόν χαλασμένα ή μπερδεμένα καλώδια αυξάνουν τον κίνδυνο ηλεκτροπληξίας.

- ε. **Όταν χρησιμοποιείτε το ηλεκτρικό εργαλείο σε εξωτερικούς χώρους, να χρησιμοποιείτε πάντοτε προεκτάσεις (μπαλαντέζες) που έχουν εγκριθεί για χρήση σε εξωτερικούς χώρους.** Η χρήση προεκτάσεων εγκριμένων για εργασία σε εξωτερικούς χώρους μειώνει τον κίνδυνο ηλεκτροπληξίας.

3. Ασφάλεια προσώπων

- a. **Όταν χρησιμοποιείτε το ηλεκτρικό εργαλείο, να είστε προσεκτικοί, να δίνετε προσοχή στην εργασία που κάνετε και να επιστρατεύετε την κοινή λογική. Μη χρησιμοποιείτε το ηλεκτρικό εργαλείο όταν είστε κουρασμένοι ή όταν βρίσκεστε υπό την επίρεια ναρκωτικών, οινοπνεύματος ή φαρμάκων.** Μια στιγμιαία απροσεξία κατά το χειρισμό του ηλεκτρικού εργαλείου μπορεί να οδηγήσει σε σοβαρούς τραυματισμούς.
6. **Να χρησιμοποιείτε εξοπλισμό ασφαλείας. Να φοράτε πάντα προστατευτικά γυαλιά.** Ο κίνδυνος τραυματισμών μειώνεται όταν χρησιμοποιείτε εξοπλισμό ασφαλείας, όπως μάσκα προστασίας από σκόνη, αντιολισθητικά παπούτσια ασφαλείας, κράνη ή ωτασπίδες, ανάλογα με τις συνθήκες εργασίας.
- γ. **Αποφύγετε την αθέλητη θέση σε λειτουργία του ηλεκτρικού εργαλείου. Βεβαιωθείτε, ότι ο διακόπτης λειτουργίας βρίσκεται στη θέση “OFF” πριν συνδέσετε το ηλεκτρικό εργαλείο στην πρίζα.** Αν μεταφέρετε το ηλεκτρικό εργαλείο έχοντας το δάκτυλό σας πάνω στο διακόπτη λειτουργίας ή αν συνδέσετε το ηλεκτρικό εργαλείο στην πρίζα όταν ο διακόπτης λειτουργίας βρίσκεται στη θέση “ON”, αυτό μπορεί να οδηγήσει σε σοβαρούς τραυματισμούς.
- δ. **Πριν θέσετε το ηλεκτρικό εργαλείο σε λειτουργία, αφαιρέστε τυχόν εργαλεία ή κλειδιά ρύθμισης.** Ενα εργαλείο ή κλειδί συναρμολογημένο στο περιστρεφόμενο εξάρτημα ενός ηλεκτρικού εργαλείου μπορεί να προκαλέσει τραυματισμούς.
- ε. **Μην τεντώνεστε. Φροντίστε πάντοτε να έχετε την κατάλληλη στάση και να διατηρείτε την ισορροπία σας.** Αυτό σας επιτρέπει τον καλύτερο έλεγχο του ηλεκτρικού εργαλείου σε περιπτώσεις απροσδόκτων καταστάσεων.
- στ. **Φοράτε κατάλληλη ενδυμασία εργασίας. Μη φοράτε φαρδιά ρούχα ή κοσμήματα. Κρατάτε τα μαλλιά, τα ενδύματα και τα γάντια σας μακριά από τα κινούμενα εξαρτήματα.** Τα φαρδιά ρούχα, τα κοσμήματα και τα μακριά μαλλιά μπορεί να εμπλακούν στα κινούμενα εξαρτήματα.
- ζ. **Αν προβλέπονται διατάξεις απαγωγής και συλλογής της σκόνης, βεβαιωθείτε ότι είναι συνδεδεμένες και ότι χρησιμοποιούνται σωστά.** Η χρήση τέτοιων διατάξεων μειώνει τους κινδύνους που προέρχονται από τη σκόνη.

4. Χρήση και συντήρηση του ηλεκτρικού εργαλείου
- α. Μην υπερφορτώνετε το ηλεκτρικό εργαλείο. Χρησιμοποιείτε για την εκάστοτε εργασία σας το ηλεκτρικό εργαλείο που προορίζεται γι' αυτήν. Με το κατάλληλο ηλεκτρικό εργαλείο εργάζεσθε καλύτερα και ασφαλέστερα στην ονομαστική περιοχή ισχύος του.
- β. Μη χρησιμοποιήσετε ποτέ ένα ηλεκτρικό εργαλείο του οποίου ο διακόπτης λειτουργίας είναι χαλασμένος. Ένα ηλεκτρικό εργαλείο του οποίου η λειτουργία δεν μπορεί να ελεγχθεί με το διακόπτη είναι επικίνδυνο και πρέπει να επισκευαστεί.
- γ. Βγάλτε το φως από την πρίζα πριν διεξάγετε κάποια εργασία ρύθμισης στο ηλεκτρικό εργαλείο, πριν αλλάξετε κάποιο εξάρτημα ή όταν πρόκειται να το αποθηκεύσετε. Αυτά τα προληπτικά μέτρα ασφαλείας μειώνουν τον κίνδυνο να θεθεί το μηχανήμα αθέλητα σε λειτουργία.
- δ. Να φυλάτε τα ηλεκτρικά εργαλεία που δεν χρησιμοποιείτε μακριά από παιδιά. Μην αφήνετε άτομα που δεν είναι εξοικειωμένα με το ηλεκτρικό εργαλείο ή που δεν έχουν διαβάσει αυτές τις οδηγίες χρήσης να το χρησιμοποιήσουν. Τα ηλεκτρικά εργαλεία είναι επικίνδυνα όταν χρησιμοποιούνται από άπειρα άτομα.
- ε. Να συντηρείτε τα ηλεκτρικά εργαλεία. Ελέγξτε εάν τα κινούμενα μέρη είναι σωστά ευθυγραμμισμένα ή αν έχουν μπλοκάρει, εάν έχουν σπάσει κομμάτια και εάν πληρούνται όλες οι υπόλοιπες συνθήκες που ενδεχομένως να επηρεάσουν τη σωστή λειτουργία του εργαλείου. Δώστε τυχόν χαλασμένα εξαρτήματα του ηλεκτρικού εργαλείου για επισκευή πριν το χρησιμοποιήσετε πάλι. Η ανεπαρκής συντήρηση των ηλεκτρικών εργαλείων αποτελεί αιτία πολλών ατυχημάτων.
- στ. Διατηρείτε τα κοπτικά εργαλεία κοφτερά και καθαρά. Τα κοπτικά εργαλεία με αιχμηρά κοπτικά άκρα που συντηρούνται σωστά έχουν λιγότερες πιθανότητες να μπλοκάρουν και ελέγχονται ευκολότερα.
- ζ. Να χρησιμοποιείτε τα ηλεκτρικά εργαλεία, τα εξαρτήματα και τα άκρα των εργαλείων κλπ σύμφωνα με τις παρούσες οδηγίες καθώς και όπως προθλέπεται για τον κάθε τύπο μηχανήματος, λαμβάνοντας υπόψη σας τις συνθήκες εργασίας και την εργασία που θέλετε να εκτελέσετε. Η χρήση του ηλεκτρικού εργαλείου για άλλες εκτός από τις προβλεπόμενες εργασίες μπορεί να δημιουργήσει επικίνδυνες καταστάσεις.
5. Σέρβις
- α. Το σέρβις του ηλεκτρικού σας εργαλείου πρέπει να αναλαμβάνει έμπειρος τεχνικός που θα χρησιμοποιεί μόνο γνήσια ανταλλακτικά. Έτσι εξασφαλίζεται η διατήρηση της ασφάλειας του ηλεκτρικού εργαλείου.

Συμπληρωματικές οδηγίες ασφαλείας για κρουστικό τρυπάνι

- ◆ Να φοράτε ωτασπίδες για τα αυτιά με κρουστικά τρυπάνια. Η έκθεση σε θόρυβο μπορεί να προκαλέσει απώλεια ακοής.
- ◆ Χρησιμοποιήστε βοηθητικές λαβές που παρέχονται με το εργαλείο. Η απώλεια ελέγχου μπορεί να προκαλέσει σωματικές βλάβες.

Ασφαλής χρήση του ηλεκτρικού ρεύματος



Αυτό το εργαλείο φέρει διπλή μόνωση, επομένως δεν απαιτείται σύρμα γείωσης. Ελέγχετε πάντοτε αν η τάση τροφοδοσίας αντιστοιχεί σε αυτήν που αναγράφεται στην πινακίδα στοιχείων του εργαλείου.

- ◆ Αυτό το εργαλείο δεν πρέπει να χρησιμοποιηθεί από νέους ή ασταθές άτομα χωρίς επιτήρηση. Τα παιδιά πρέπει να επιτηρηθούν για να βεβαιωθείτε ότι δεν παίζουν με το εργαλείο.
- ◆ Αν το καλώδιο ρεύματος έχει υποστεί βλάβη, πρέπει να αντικατασταθεί από τον κατασκευαστή ή από εξουσιοδοτημένο Κέντρο Επισκευών Black & Decker ώστε να αποφεύγετε τους κινδύνους.

Χαρακτηριστικά

Το εργαλείο διαθέτει όλα ή ορισμένα από τα εξής χαρακτηριστικά.

1. Διακόπτης ρυθμιζόμενης ταχύτητας
2. Πλήκτρο ασφάλισης
3. Κομπι ελέγχου μεταβλητής ταχύτητας
4. Συρόμενος διακόπτης εμπρός/πίσω
5. Διακόπτη επιλογής κατάστασης διάτρησης
6. Τσοκ
7. Στοπ βάθους
8. Πλευρική λαβή

Συναρμολογήση

Προειδοποίηση! Πριν από τη συναρμολόγηση, βεβαιωθείτε ότι το εργαλείο είναι σθηστό και ότι το φως του δεν είναι στην πρίζα.

Τοποθέτηση της πλευρικής λαβής και του στοπ βάθους (εικ. Α)

- ◆ Στρέψτε τη λαβή αριστερόστροφα μέχρι να μπορείτε να ολισθήσετε την πλευρική λαβή (8) στο εμπρόσθιο τμήμα του εργαλείου όπως φαίνεται στην εικόνα.
- ◆ Περιστρέψτε την πλευρική λαβή σε όποια θέση θέλετε.
- ◆ Εισάγετε το στοπ βάθους (7) μέσα στην οπή στήριξης όπως απεικονίζεται.
- ◆ Ρυθμίστε το βάθος διάτρησης όπως περιγράφεται παρακάτω.
- ◆ Σφίξτε την πλευρική λαβή στρέφοντάς την δεξιόστροφα.

Τοποθέτηση τρυπανιού ή μύτης κατασαβιδιού (εικ. Β & C)**Τσοκ χωρίς κλειδί με ασφάλεια άξονα (εικ. Β)**

- ◆ Ανοίξτε το τσοκ στρέφοντας τον εξωτερικό δακτύλιο (9) την αριστερόστροφα.
- ◆ Εισάγετε τον άξονα της μύτης (10) μέσα στο τσοκ.
- ◆ Σφίξτε καλά το τσοκ στρέφοντας τον εξωτερικό δακτύλιο την δεξιόστροφα.

Τσοκ με κλειδί (εικ. C)

- ◆ Ανοίξτε το τσοκ στρέφοντας τον εξωτερικό δακτύλιο (11) την αριστερόστροφα.
- ◆ Εισάγετε τον άξονα της μύτης (10) μέσα στο τσοκ.
- ◆ Εισάγετε το κλειδί του τσοκ (12) σε κάθε οπή (13) στο πλάι του τσοκ και στρέψτε το μέχρι να ασφαλίσει.

Αφαίρεση και επανατοποθέτηση του τσοκ (εικ. D)

- ◆ Ανοίξτε το τσοκ όσο το δυνατόν περισσότερο.
- ◆ Αφαιρέστε τη βίδα συγκράτησης του τσοκ που βρίσκεται στο τσοκ, στρέφοντάς τη προς τα δεξιά χρησιμοποιώντας ένα κατασαβίδι.
- ◆ Προσαρμόστε ένα κλειδί Allen στο τσοκ και χτυπήστε το με ένα σφυρί, όπως φαίνεται στη φωτογραφία.
- ◆ Απομακρύνετε το κλειδί Allen.
- ◆ Αφαιρέστε το τσοκ στρέφοντάς το αριστερόστροφα.
- ◆ Για να επανατοποθετήσετε το τσοκ, βιδώστε το στον άξονα και ασφαλίστε το με τη βίδα συγκράτησης.

Χρήση

Προειδοποίηση! Αφήστε το εργαλείο να λειτουργήσει με το δικό του ρυθμό. Μην το υπερφορτώνετε.

Προειδοποίηση! Πριν από τη διάτρηση τοίχων, δαπέδων ή οροφών, εντοπίστε τις θέσεις όπου βρίσκονται καλώδια και σωληνώσεις.

Επιλογή της κατεύθυνσης περιστροφής

Για διάτρηση και για τη σύσφιξη βιδών, χρησιμοποιείτε την περιστροφή προς τα εμπρός (δεξιόστροφη). Για το ξεβίδωμα των βιδών ή για να αφαιρέσετε τρυπάνι που έχει κολλήσει, χρησιμοποιείτε την ανάποδη περιστροφή (αριστερόστροφη).

- ◆ Για να επιλέξετε την περιστροφή προς τα εμπρός, πιέστε το συρόμενο διακόπτη εμπρός/πίσω (4) προς τα αριστερά.
- ◆ Για να επιλέξετε την ανάποδη περιστροφή, πιέστε το συρόμενο διακόπτη εμπρός/πίσω προς τα δεξιά.

Προειδοποίηση! Ποτέ μην αλλάζετε την κατεύθυνση της περιστροφής ενώ ο κινητήρας είναι σε λειτουργία.

Επιλογή κατάστασης διάτρησης

- ◆ Για διάτρηση σε τοιχοποιία, ρυθμίστε τον διακόπτη επιλογής κατάστασης διάτρησης (5) στη θέση **T**.

- ◆ Για διάτρηση σε άλλα υλικά και για εφαρμογές κατασαβιδιού, ρυθμίστε τον διακόπτη επιλογής κατάστασης διάτρησης (5) στη θέση **2**.

Ρύθμιση του βάθους διάτρησης (εικ. E)

- ◆ Χαλαρώστε την πλευρική λαβή (8) στρέφοντάς την λαβή αριστερόστροφα.
- ◆ Ρυθμίστε το στοπ βάθους (7) στη θέση που θέλετε. Το μέγιστο βάθος διάτρησης ισούται με την απόσταση μεταξύ της άκρης του τρυπανιού και του εμπρόσθιου άκρου του στοπ βάθους.
- ◆ Σφίξτε την πλευρική λαβή στρέφοντάς την δεξιόστροφα.

Θέση εντός και εκτός λειτουργίας

- ◆ Για να θέσετε σε λειτουργία το εργαλείο, πατήστε το διακόπτη ρυθμιζόμενης ταχύτητας (1). Η ταχύτητα του εργαλείου εξαρτάται από το βαθμό που θα πατήσετε το διακόπτη. Αν το εργαλείο διαθέτει κουμπί ρύθμισης ταχύτητας (3), ρυθμίστε το στην επιθυμητή κλίμακα ταχύτητας. Γενικά, να χρησιμοποιείτε χαμηλή ταχύτητα για μύτες τρυπανιού μεγάλης διαμέτρου και υψηλές ταχύτητες για μύτες τρυπανιού μικρής διαμέτρου.
- ◆ Για διαρκή λειτουργία, πατήστε το πλήκτρο ασφάλισης (2) και απελευθερώστε το διακόπτη ρυθμιζόμενης ταχύτητας. Αυτή η επιλογή είναι διαθέσιμη μόνο σε πλήρη ταχύτητα ή σε κάθε ταχύτητα ρυθμιζόμενη με το κουμπί ελέγχου μεταβλητής ταχύτητας (3). Αυτή η επιλογή δεν είναι διαθέσιμη αντίστροφη περιστροφή.
- ◆ Για να σβήσετε το εργαλείο, απελευθερώστε το διακόπτη ρυθμιζόμενης ταχύτητας. Για να σβήσετε το εργαλείο όταν βρίσκεται σε κατάσταση συνεχόμενης λειτουργίας, πατήστε μία φορά το διακόπτη ρυθμιζόμενης ταχύτητας και ύστερα αφήστε τον.

Εξαρτήματα

Η απόδοση του εργαλείου σας εξαρτάται από τα εξαρτήματα που χρησιμοποιείτε. Τα εξαρτήματα Black & Decker και Piranha είναι σχεδιασμένα σύμφωνα με πρότυπα υψηλής ποιότητας για να βελτιώνουν την απόδοση του εργαλείου σας. Χρησιμοποιώντας τα θα επιτύχετε τη βέλτιστη απόδοση του εργαλείου.

Συντήρηση

Το εργαλείο σας έχει σχεδιαστεί έτσι ώστε να λειτουργεί για μεγάλη χρονική περίοδο με την ελάχιστη δυνατή συντήρηση. Η αδιάλειπτη και κανονική λειτουργία του εργαλείου εξαρτάται από τη φροντίδα και τον τακτικό καθαρισμό.

Προειδοποίηση! Πριν από οποιαδήποτε εργασία συντήρησης στο εργαλείο, θα πρέπει να το σβήσετε και να το βγάλετε από την πρίζα.

- ◆ Να καθαρίζετε τακτικά τις εγχοπές εξαερισμού του εργαλείου σας χρησιμοποιώντας μαλακή βούρτσα ή στεγνό πανί.
- ◆ Να καθαρίζετε τακτικά το περιβλήμα του μοτέρ χρησιμοποιώντας ένα υγρό πανί. Μη χρησιμοποιείτε αποξεστικά καθαριστικά ή υγρά καθαρισμού που περιέχουν διαλύτες.

Διάθεση εργαλείων και περιβάλλον



Ξεχωριστή συλλογή. Αυτό το προϊόν δεν πρέπει να απορριφθεί με συνηθισμένα σπιτικά απορρίμματα.

Εάν κάποια μέρα διαπιστώσετε ότι το προϊόν σας Black & Decker χρειάζεται αντικατάσταση ή δεν σας χρησιμεύει πλέον, μην το απορρίψετε με τα σπιτικά απορρίμματα. Κάντε αυτό το προϊόν διαθέσιμο για ξεχωριστή συλλογή.



Η ξεχωριστή συλλογή χρησιμοποιημένων προϊόντων και συσκευασιών επιτρέπει την ανακύκλωση υλικών. Η επανάχρηση ανακυκλωμένων υλικών βοηθάει την προστασία του περιβάλλον και μειώνει την ζήτηση για σπάνια υλικά.

Οι τοπικοί κανονισμοί μπορεί να παρέχουν ξεχωριστή συλλογή ηλεκτρικών προϊόντων από κατοικίες, δημοτικές τοποθεσίες απορριμμάτων ή από τον έμπορα όταν αγοράσατε το καινούργιο προϊόν.

Η Black & Decker δίνει τη δυνατότητα συλλογής και ανακύκλωσης των προϊόντων της που έχουν συμπληρώσει τη διάρκεια ζωής τους. Αν θέλετε να χρησιμοποιήσετε την εν λόγω υπηρεσία, επιστρέψτε το προϊόν σας σε οποιοδήποτε εξουσιοδοτημένο κέντρο επισκευών, όπου θα το παραλάβουν εκ μέρους σας.

Ενημερωθείτε για το πλησιέστερο κέντρο επισκευών της περιοχής σας, επικοινωνώντας με τα γραφεία της Black & Decker στη διεύθυνση που αναγράφεται στο εγχειρίδιο. Επίσης, για να πληροφορηθείτε τα εξουσιοδοτημένα κέντρα επισκευών της Black & Decker και τις λεπτομέρειες και τους αρμόδιους των υπηρεσιών που παρέχονται μετά την πώληση, μπορείτε ανατρέξετε στο Διαδίκτυο στη διεύθυνση:
www.2helpU.com

Τεχνικά χαρακτηριστικά

		KR703	KR704	KR705
Τάση	V _{AC}	230	230	230
Ισχύς εισόδου	W	710	710	710
Ταχύτητα άφορτου κίνησης	min ⁻¹	0-3.100	0-3.100	0-3.100
Μέγιστη δυνατότητα διάτρησης				
Ατσάλι/σκυρόδεμα	mm	13/16	13/16	13/16
Ξύλο	mm	32	32	32
Βάρος	kg	2,11	2,11	2,11

		KR753	KR754	KR755
Τάση	V _{AC}	230	230	230
Ισχύς εισόδου	W	750	750	750
Ταχύτητα άφορτου κίνησης	min ⁻¹	0-3.100	0-3.100	0-3.100
Μέγιστη δυνατότητα διάτρησης				
Ατσάλι/σκυρόδεμα	mm	13/16	13/16	13/16
Ξύλο	mm	32	32	32
Βάρος	kg	2,11	2,11	2,11

Δήλωση συμμόρφωσης με την Ευρωπαϊκή Κοινότητα

KR703/KR704/KR705/KR753/KR754/KR755

Η Black & Decker δηλώνει ότι τα προϊόντα αυτά συμμορφώνονται με:

98/37/EOK, 89/336/EOK, 73/23/EOK, EN 55014, EN 60745, EN 61000

L_{PA} (πίεση ήχου) 101 dB(A), L_{WA} (ακουστική ισχύς) 112 dB(A), χειροβραχιονική δόνηση 15,4 m/s²

K_{PA} (αβεβαιότητα πίεσης ήχου) 3 dB(A),

K_{WA} (αβεβαιότητα ακουστικής ισχύς) 3 dB(A)

Kevin Hewitt

Διευθυντής Εξυπηρέτησης Πελατών
Spennymoor, County Durham DL16 6JG,

Αγγλία
1-4-2006

Εγγύηση

Η Black & Decker είναι σίγουρη για την ποιότητα των προϊόντων της και παρέχει σημαντική εγγύηση. Η παρούσα γραπτή εγγύηση αποτελεί πρόσθετο δικαίωμά σας και δεν ζημιώνει τα συνταγματικά σας δικαιώματα. Η εγγύηση ισχύει εντός της επικράτειας των Κρατών Μελών της Ευρωπαϊκής Ένωσης και της Ευρωπαϊκής Ζώνης Ελευθέρων Συναλλαγών.

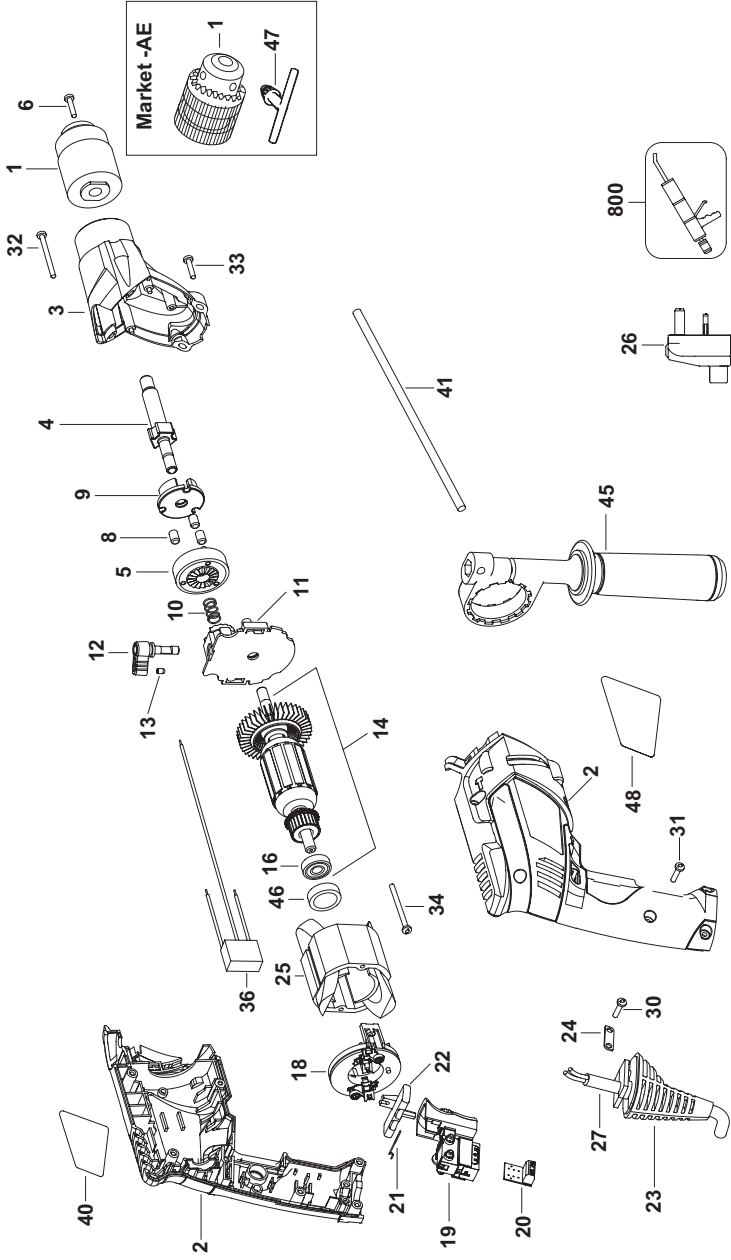
Σε περίπτωση που κάποιο προϊόν της Black & Decker παρουσιάσει βλάβη εξαιτίας ελαττωματικών υλικών, ποιότητας εργασίας ή έλλειψης συμφωνίας με τις προδιαγραφές εντός 24 μηνών από την ημερομηνία αγοράς, η Black & Decker εγγυάται την αντικατάσταση των ελαττωματικών τμημάτων, την επισκευή προϊόντων που έχουν υποστεί εύλογη φθορά λόγω χρήσης ή την αντικατάσταση των προϊόντων προκειμένου να εξασφαλίσει την ελάχιστη ενόχληση στους πελάτες της, εκτός αν:

- ◆ Το προϊόν έχει χρησιμοποιηθεί σε εργασιακό, επαγγελματικό περιβάλλον ή αν έχει ενοικιαστεί
- ◆ Έχει γίνει εσφαλμένη χρήση του προϊόντος ή αν έχει παραμεληθεί
- ◆ Το προϊόν έχει υποστεί βλάβη από άλλα αντικείμενα, από ουσίες ή λόγω ατυχήματος
- ◆ Έχει γίνει προσπάθεια επισκευής από μη εξουσιοδοτημένα κέντρα επισκευών ή από προσωπικό που δεν ανήκει στο προσωπικό της Black & Decker

Για να ισχύσει η εγγύηση, πρέπει να υποβάλετε απόδειξη αγοράς στον πωλητή ή το εξουσιοδοτημένο κέντρο επισκευών. Ενημερωθείτε για το πλησιέστερο κέντρο επισκευών της περιοχής σας, επικοινωνώντας με τα γραφεία της Black & Decker στη διεύθυνση που αναγράφεται στο εγχειρίδιο. Επίσης, για να πληροφορηθείτε για τα εξουσιοδοτημένα κέντρα επισκευών της Black & Decker, τις λεπτομέρειες και τους αρμόδιους των υπηρεσιών που παρέχονται μετά την πώληση, μπορείτε να ανατρέξετε στο Διαδίκτυο στη διεύθυνση:

www.2helpU.com

Παρακαλούμε να επισκεφτείτε την ιστοσελίδα μας **www.blackanddecker.com** για να καταχωρήσετε το νέο σας προϊόν Black & Decker και για να ενημερώνεστε για τα νέα προϊόντα και τις ειδικές προσφορές. Περισσότερες πληροφορίες σχετικά με τη μάρκα Black & Decker και τη σειρά προϊόντων μας θα βρείτε στη διεύθυνση **www.blackanddecker.com**



Australia	Black & Decker (Australia) Pty. Ltd. 20 Fletcher Road, Mooroolbark, Victoria, 3138	Tel. 03-8720 5100 Fax 03-9727 5940
België/Belgique	Black & Decker (Belgium) N.V. Campus Noord, Schaliënhoevedreef 20E 2800 Mechelen	Tel. 015 - 47 92 11 Fax 015 - 47 92 10
Danmark	Black & Decker Sluseholmen 2-4, 2450 København SV Internet: www.blackanddecker.dk	Tel. 70 20 15 15 Fax 36 94 49 01
Deutschland	Black & Decker GmbH Black & Decker Str. 40, D - 65510 Idstein	Tel. 06126/21 - 0 Fax 06126/21 29 80
Ελλάδα	Black & Decker (Ελλάς) Α.Ε. Στράβωνος 7 & Λεωφ. Βουλιαγμένης 159 166 74 Γλυφάδα - Αθήνα	Τηλ. 210 8981616 Φαξ 210 8983285 www.blackanddecker.gr
España	Black & Decker Ibérica, S.C.A. Parque de Negocios "Mas Blau" Edificio Muntadas, c/Bergadá, 1, Of. A6 08820 El Prat de Llobregat (Barcelona)	Tel. 934 797 400 Fax 934 797 419
France	Black & Decker (France) S.A.S. B.P. 21, 69571 Dardilly Cédex	Tel. 04 72 20 39 20 Fax 04 72 20 39 00
Helvetia	RÖFO AG Gewerbezone Seeblick 3213 Kleinbödingen	Tel. 026-6749391 Fax 026-6749394
Italia	Black & Decker Italia SpA Viale Elvezia 2 20052 Monza (MI)	Tel. 039-23871 Fax 039-2387592/2387594 Numero verde 800-213935
Nederland	Black & Decker Benelux Joulehof 12, 4622 RG Bergen op Zoom	Tel. 0164 - 283000 Fax 0164 - 283100
New Zealand	Black & Decker 81 Hugo Johnston Drive Penrose, Auckland, New Zealand	Tel. 09 579 7600 Fax 09 579 8200
Norge	Black & Decker (Norge) A/S Postboks 4814, Nydalen, 0422 Oslo Internet: www.blackanddecker.no	Tif. 22 90 99 00 Fax 22 90 99 01
Österreich	Black & Decker Vertriebsges.m.b.H Erlaaerstraße 165, 1231 Wien	Tel. 01 66116-0 Fax 01 66116-14
Portugal	Black & Decker Rua Egas Moniz 173 S. João do Estoril 2766-651 Estoril	Tel. 214667500 Fax 214667575
Suomi	Black & Decker Oy Keilasatama 3, 02150 Espoo Black & Decker Oy, Kägelhamnen 3, 02150 Esbo	Puh.: 010 400 430 Faksi: (09) 2510 7100 Tel: 010 400 430 Fax: (09) 2510 7100
Sverige	Black & Decker AB Fabriksg. 7, 412 50 Göteborg	Tel: 031-68 60 60 Fax: 031-68 60 80
Türkiye	İntratek Mühendislik ve Dış Tic. A.Ş. Atatürk Mah. Girne Cad. No. 45 34750 Küçükbakkalköy Kadıköy İstanbul	Tel. 0216 456 60 60 Faks 0216 456 60 84
United Kingdom	Black & Decker 210 Bath Road Slough, Berkshire SL1 3YD	Tel. 01753 511234 Fax 01753 551155 Helpline 01753 574277
Middle East & Africa	Black & Decker (Overseas) A.G. PB 5420, Dubai, United Arab Emirates	Tel. +971 4 2826464 Fax +971 4 2826466

Dealer address
Händleradresse
Cachet du revendeur
Indirizzo del rivenditore
Adres van de dealer
Dirección del detallista
Morada do revendedor
Äterförsäljarens adress
Forhandlens adresse
Forhandler adresse
Jälleenmyyjän osoite
Διεύθυνση αντιπροσώπου

◆ Name ◆ Nom ◆ Nome
◆ Naam ◆ Nombre ◆ Nome ◆ Namn
◆ Navn ◆ Navn ◆ Nimi ◆ Ovojna:

◆ Address ◆ Adresse ◆ Adresse ◆ Indirizzo ◆
Adres ◆ Dirección ◆ Morada ◆ Address ◆
Adresse ◆ Adresse ◆ Osoite ◆ Διεύθυνση:

◆ Town ◆ Ort ◆ Ville ◆ Città ◆ Plaats
◆ Ciudad ◆ Localidade ◆ Ort ◆ By ◆ By
◆ Paikkakunta ◆ Πόλη:

◆ Postal code ◆ Postleitzahl ◆ Code postal ◆
Codice postale ◆ Postcode
◆ Código ◆ Código postal ◆ Postnr.
◆ Postnr. ◆ Postnr. ◆ Postnummero
◆ Κωδικός

◆ Is this tool a gift? ◆ Ist dieses Gerät ein
Geschenk? ◆ S'agit-il d'un cadeau? ◆ Si tratta
di un regalo? ◆ Kreeg u de machine als cadeau?
◆ ¿Ha recibido usted esta herramienta como
regalo? ◆ Reçebeu esta ferramenta como
presente? ◆ Är verktyget en gåva?
◆ Er verktoyet en gave? ◆ Er verktojet en gave?
◆ Onko kone lahja? ◆ Το εργαλείο είναι δώρο?

◆ Yes ◆ Ja ◆ Oui ◆ Si ◆ Ja ◆ Si ◆
◆ Sim ◆ Ja ◆ Ja ◆ Ja ◆ Kyllä ◆ Nαι
 ◆ No ◆ Nein ◆ Non ◆ No ◆ Nee
◆ No ◆ Não ◆ Nej ◆ Nei ◆ Nej
◆ Ei ◆ Oxi

◆ Is this tool your first purchase? ◆ Ist dieses
Gerät ein Erstkauf? ◆ Est-ce un 1er achat? ◆
Questo prodotto è il suo primo acquisto? ◆ Is
deze machine uw eerste aankoop? ◆ ¿Es esta
herramienta la primera de este tipo?
◆ Esta ferramenta é a primeira compra? ◆
Är detta ditt första B&D-verktyg? ◆ Er dette ditt
første B&D verktoy? ◆ Er dette ditt første B&D
verktøj? ◆ Onko tämä ensimmäinen B&D-

Date of purchase
Kaufdatum
Date d'achat
Data d'acquisto
Aankoopdatum
Fecha de compra
Data de compra
Inkõpsdatum
Innkjøpsdato
Indkøbsdato
Osttopäivä
Ημερομηνία αγοράς

koneesi? ◆ Είναι το εργαλείο αυτό η
πρώτη σας αγορά?

◆ Yes ◆ Ja ◆ Oui ◆ Si ◆ Ja ◆ Si
◆ Sim ◆ Ja ◆ Ja ◆ Ja ◆ Kyllä ◆ Nαι
 ◆ No ◆ Nein ◆ Non ◆ No ◆ Nee
◆ No ◆ Não ◆ Nej ◆ Nei ◆ Nej
◆ Ei ◆ Oxi

◆ Dealer address ◆ Händleradresse
◆ Cachet du revendeur ◆ Indirizzo del
rivenditore ◆ Adres van de dealer
◆ Dirección del detallista ◆ Morada do
revendedor ◆ Äterförsäljarens adress
◆ Forhandlens adresse ◆ Forhandler adresse
◆ Jälleenmyyjän osoite
◆ Διεύθυνση αντιπροσώπου

Cat. no.:



Date of purchase
Kaufdatum
Date d'achat
Data d'acquisto
Aankoopdatum
Fecha de compra
Data de compra
Inkõpsdatum
Innkjøpsdato
Indkøbsdato
Osttopäivä
Ημερομηνία αγοράς

◆ Data protection act: Tick the box if you prefer
not to receive further information. ◆ Bitte
ankreuzen, falls Sie keine weiteren
Informationen erhalten möchten. ◆ Si vous ne
souhaitez pas recevoir d'informations, cochez
cette case. ◆ Barrate la casella se non
desiderate ricevere informazioni.
◆ A.u.b. dit vakje aankruisen indien u geen
informatie wenst te ontvangen.
◆ Señale en la casilla sino quiere recibir
información. ◆ Por favor, assinala com uma cruz
se não desejar receber informação. ◆ Vänligen
kryssa för i rutan om Ni inte vill ha information.
◆ Venligst kryss av dersom du ikke ønsker
informasjon. ◆ Venligst sæt kryds i ruden
såfremt De ikke måtte ønske at modtage
information.

◆ Merkitkää rasti ruutuun, mikäli ette halua
vastaanottaa informaatiota.
◆ Παρακαλείστε να σημειώσετε εάν δεν θέλετε
να πάρετε πληροφορίες.

- ◆ GUARANTEE CARD ◆ GARANTIEKARTE ◆ CARTE DE GARANTIE ◆ TAGLIANDO DI GARANZIA
◆ GARANTIEKAART ◆ TARJETA DE GARANTÍA ◆ CARTÃO DE GARANTIA ◆ GARANTIBEVIS
◆ GARANTI KORT ◆ GARANTI KORT ◆ TAKUUKORTTI ◆ KAPTA ΕΓΓΥΗΣΗΣ



English

Please complete this section immediately after the purchase of your tool and send it to Black & Decker in your country. If you live in Australia or New Zealand, please register by using the alternative guarantee card supplied.

Deutsch

Bitte schneiden Sie diesen Abschnitt ab, stecken ihn in einen frankierten Umschlag und schicken ihn an die Black & Decker Adresse Ihres Landes.

Français

Découpez cette partie et envoyez-la sous enveloppe timbrée à l'adresse de Black & Decker dans votre pays, ceci immédiatement après votre achat.

Italiano

Per favore ritagliate questa parte, inseritela in una busta con francobollo e spedite la subito dopo l'acquisto del prodotto all'indirizzo della Black & Decker nella vostra nazione.

Nederlands

Knip dit gedeelte uit en zend het direct na aankoop in een gefrankeerde, geaddresseerde envelop naar het adres van Black & Decker in uw land.

Español

Después de haber comprado su herramienta envíe usted, por favor, esta tarjeta a la central de Black & Decker en su país.

Português

Por favor, recorte esta parte, coloque-a num envelope selado e endereçado e envie-o logo após a compra do seu produto para o endereço da Black & Decker do seu país.

Svenska

Var vänlig klipp ur denna del och sänd den i ett frankerat kuvert till Black & Deckers adress i Ditt land.

Norsk

Vennligst klipp ut denne delen umiddelbart etter du har pakket ut ditt produkt og legg det i en adressert konvolutt til Black & Decker (Norge) AS.

Dansk

Venligst klip denne del ud og send frankeret til Black & Decker i dit land.

Suomi

Leikkaa irti tämä osa, laita se kuoreen ja postita kuori paikalliseen Black & Decker osoitteeseen.

Ελληνικά

Παράκατω κόψτε αυτό το κομμάτι και ταχυδρομήστε το queóς jestá tny ayopá tou npoióvtop óas stny óeúbuon tny Black & Decker stny Eλλáδá.