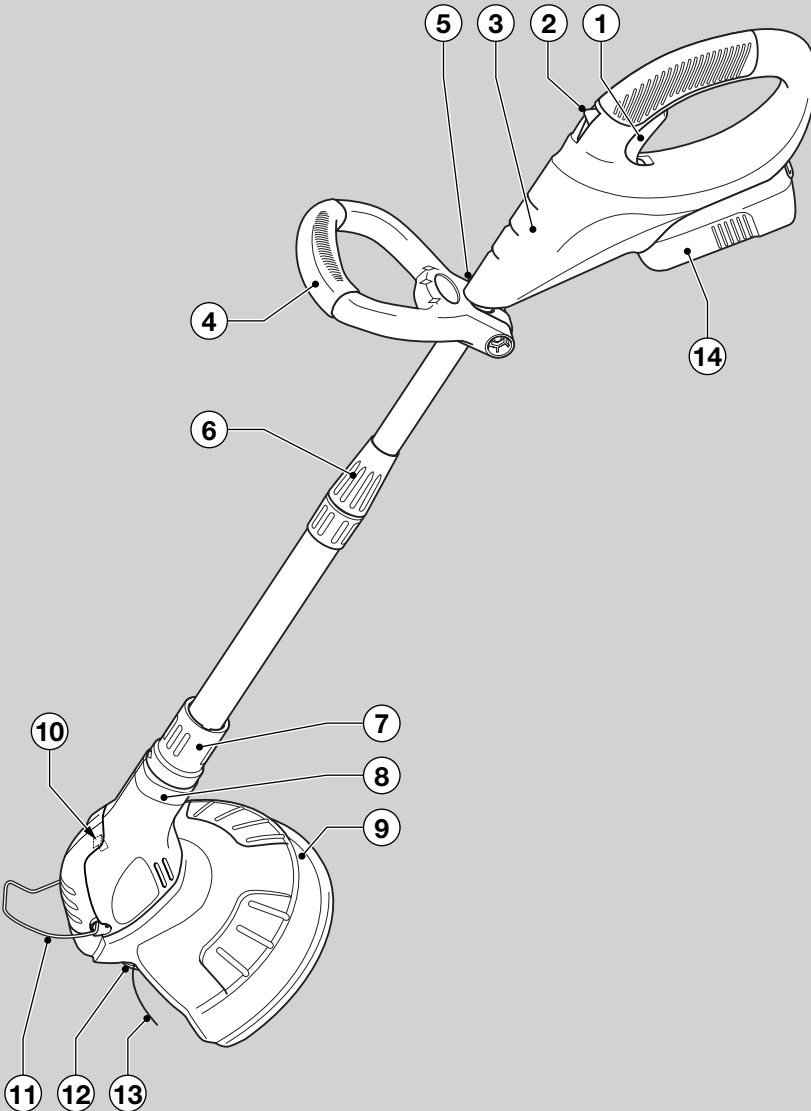


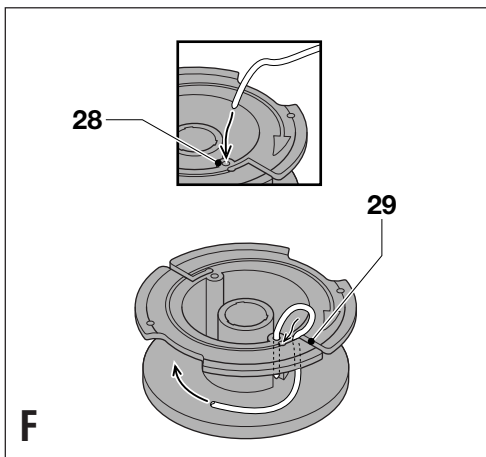
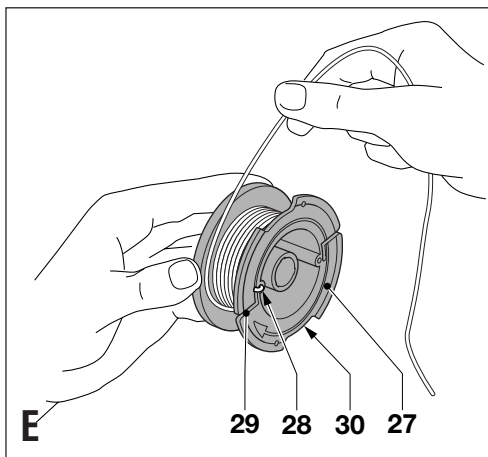
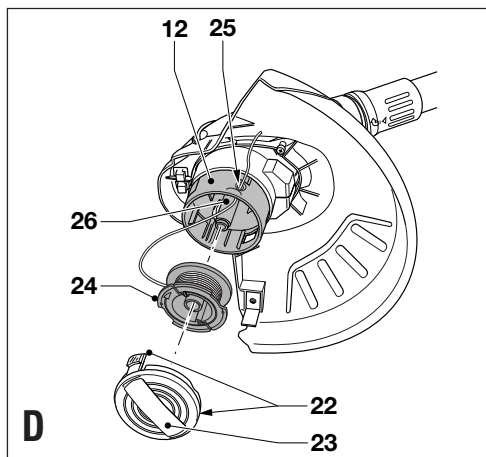
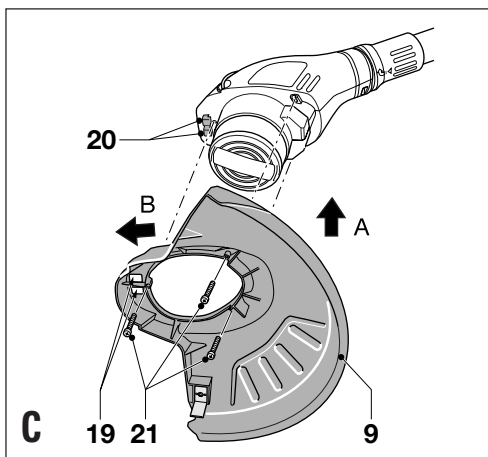
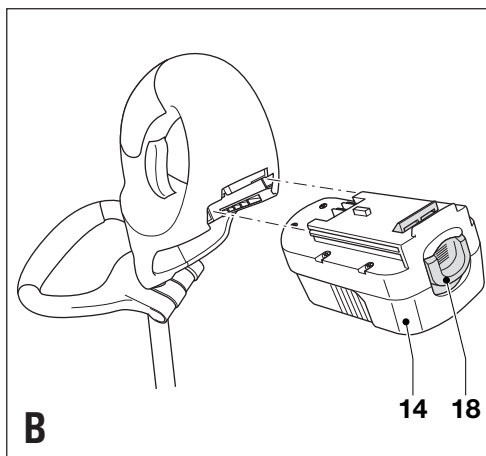
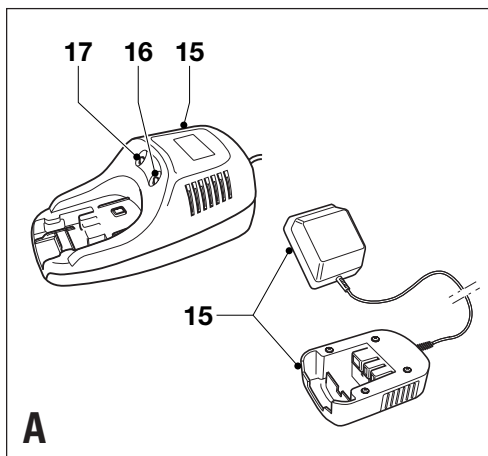


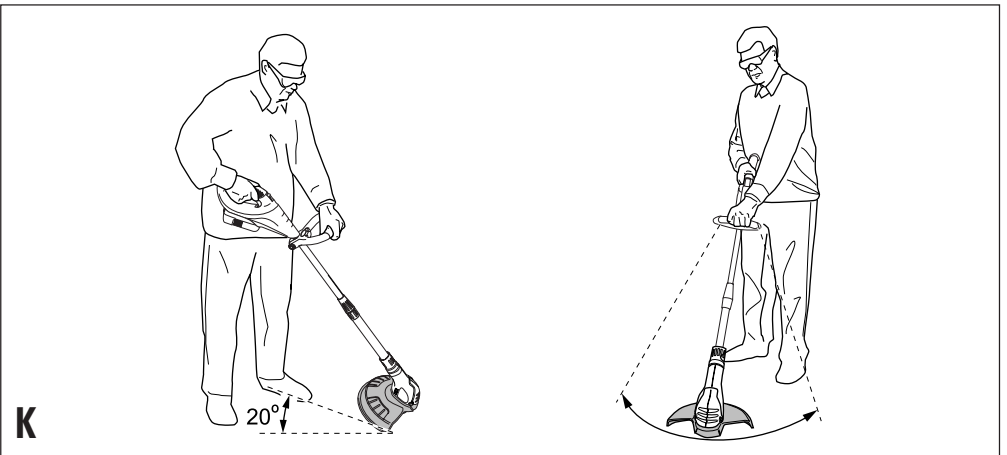
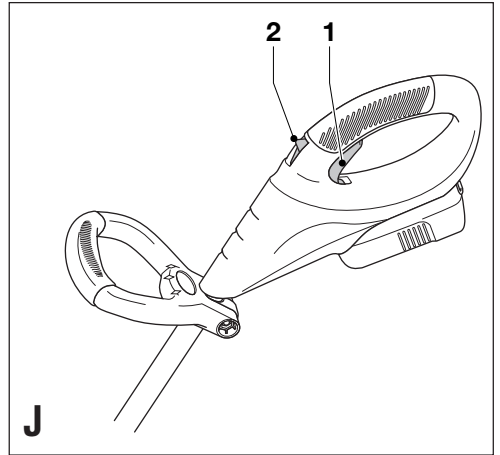
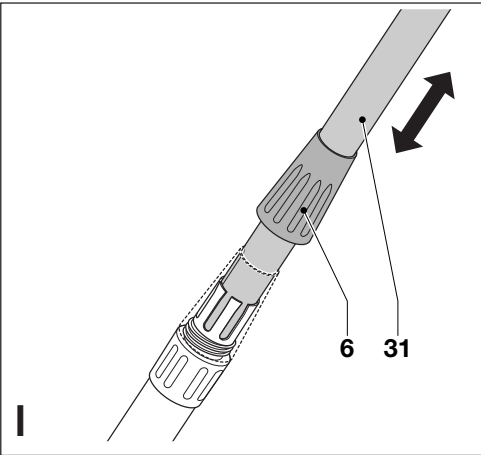
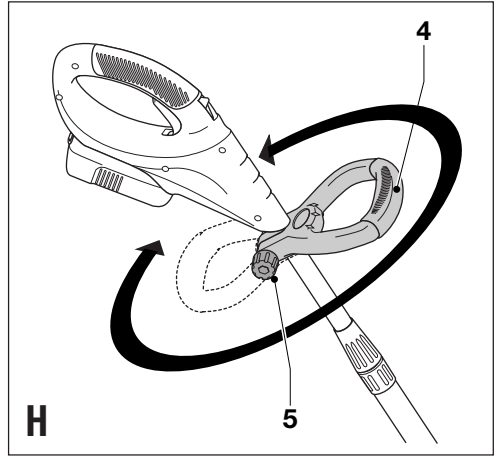
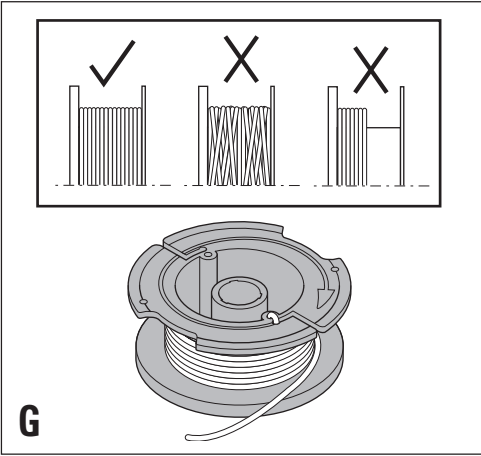
BLACK & DECKER®

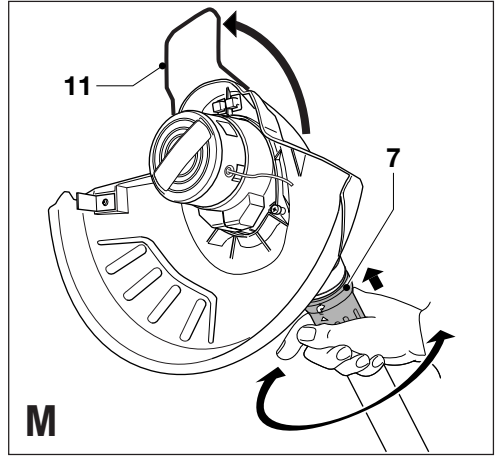
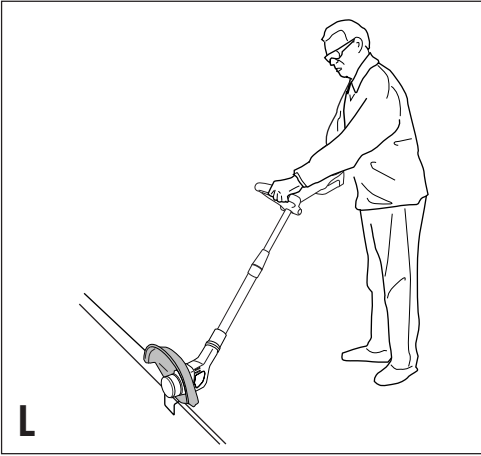
www.blackanddecker.com



English	5
Deutsch	11
Français	18
Italiano	25
Nederlands	32
Español	39
Português	46
Svenska	53
Norsk	59
Dansk	65
Suomi	72
Ελληνικά	78







Intended use

Your Black & Decker strimmer has been designed for trimming and finishing lawn edges and to cut grass in confined spaces. This tool is intended for consumer use only. Your Black & Decker charger has been designed for charging the battery in the tool with which it was supplied.

Know your tool



- ◆ **Warning!** When using battery-powered tools, basic safety precautions, including the following, should always be followed to reduce the risk of fire, leaking batteries, personal injury and material damage.
- ◆ For your own safety and that of bystanders, read all of this manual carefully before operating the tool.
- ◆ Be familiar with the controls and proper use of the tool.
- ◆ Before operating the tool, make sure that you know how to switch the tool off in an emergency.
- ◆ Retain this manual for future reference.

General

1. Consider work area environment

Do not expose the tool to rain. Do not use the tool in damp or wet conditions. Only use the tool only in daylight or good artificial light. Do not use the tool where there is a risk of causing fire or explosion, i.e. in the presence of flammable liquids and gases. Keep the work area free from debris and obstacles.

2. Keep children away

Do not allow children, visitors or animals to come near the work area or to touch the tool.

3. Dress properly

Do not wear loose clothing or jewellery, as these can be caught in moving parts. Preferably wear rubber gloves and non-slip footwear when working outdoors. Wear protective hair covering to keep long hair out of the way.

4. Personal protection

Always use safety glasses. Use a face or dust mask whenever the operations may produce dust or flying particles. Wear ear protection whenever the sound level seems uncomfortable.

5. Do not overreach

Keep proper footing and balance at all times.

6. Stay alert

Watch what you are doing. Use common sense. Do not operate the tool when you are tired.

7. Secure workpiece

Use clamps or a vice to hold the workpiece. It is safer and it frees both hands to operate the tool.

8. Remove adjusting keys and wrenches

Always check that adjusting keys and wrenches are removed from the tool before operating the tool.

9. Use appropriate tool

The intended use is described in this instruction manual. Do not force small tools or attachments to do the job of a heavy-duty tool. The tool will do the job better and safer at the rate for which it was intended. Do not force the tool.

Warning! The use of any accessory or attachment or performance of any operation with this tool other than those recommended in this instruction manual may present a risk of personal injury.

10. Check for damaged parts

Before use, carefully check the tool for damage. Check for misalignment and seizure of moving parts, breakage of parts, damage to guards and switches and any other conditions that may affect its operation. Ensure that the tool will operate properly and perform its intended function. Do not use the tool if any part is damaged or defective. Do not use the tool if the switch does not turn it on and off. Have any damaged or defective parts repaired or replaced by an authorised repair agent. Never attempt any repairs yourself.

11. Remove the battery

Where the design permits, remove the battery when the tool is not in use, before changing any parts of the tool, accessories or attachments and before servicing.

12. Avoid unintentional starting

Do not carry the tool with a finger on the on/off switch. Be sure that the tool is switched off when inserting the battery into the tool.

13. Do not abuse cord

Never carry the charger by its cord or pull it to disconnect from the socket. Keep the cord away from heat, oil and sharp edges.

14. Store idle tools

When not in use, tools, batteries and chargers should be stored in a dry, locked up or high place, out of reach of children.

15. Maintain tools with care

Keep cutting tools sharp and clean for better and safer performance. Follow the instructions for maintenance and changing accessories. Keep handles and switches dry, clean and free from oil and grease.

16. Repairs

This tool complies with relevant safety requirements. Repairs should only be carried out by qualified persons using original spare parts; otherwise this may result in considerable danger to the user.

Additional safety instructions for batteries and chargers

Batteries

- ◆ Never attempt to open for any reason.
- ◆ Do not expose the battery to water.
- ◆ Do not store in locations where the temperature may exceed 40 °C.

- ◆ Charge only at ambient temperatures between 4 °C and 40 °C.
- ◆ Charge only using the charger provided with the tool.
- ◆ When disposing of batteries, follow the instructions given in the section "Protecting the environment".
- ◆ Under extreme conditions, battery leakage may occur. When you notice liquid on the battery, proceed as follows:
 - Carefully wipe the liquid off using a cloth. Avoid skin contact.
 - In case of skin or eye contact, follow the instructions below.

Warning! The battery fluid, a 25-30% solution of potassium hydroxide, can be harmful. In case of skin contact, immediately rinse with water. Neutralise with a mild acid such as lemon juice or vinegar. In case of eye contact, rinse abundantly with clean water for at least 10 minutes. Consult a physician.

- ◆ Do not incinerate the battery.
- ◆ Do not attempt to charge damaged batteries.

Chargers

- ◆ Use your Black & Decker charger only to charge the battery in the tool with which it was supplied. Other batteries could burst, causing personal injury and damage.
- ◆ Never attempt to charge non-rechargeable batteries.
- ◆ Have defective cords replaced immediately.
- ◆ Do not expose the charger to water.
- ◆ Do not open the charger.
- ◆ Do not probe the charger.



The charger is intended for indoor use only.

Electrical safety



Your charger is double insulated; therefore no earth wire is required. Always check that the mains voltage corresponds to the voltage on the rating plate. Never attempt to replace the charger unit with a regular mains plug.

Additional safety instructions for grass trimmers

The following warning symbols are found on the tool:



Wear safety glasses or goggles when operating this tool.



Warning! The cutting line will continue to run for a few seconds after switching the tool off. Never attempt to force the line to come to a standstill.



Keep people and animals at least 6 m away from the cutting area.



Do not expose the tool to rain or high humidity.

- ◆ Never allow children or any person unfamiliar with these instructions to use the tool.
- ◆ Wear stout shoes or boots to protect your feet.
- ◆ Wear long trousers to protect your legs.
- ◆ Before using the tool and after any impact, check for signs of wear or damage and repair as necessary.
- ◆ Before using the tool, check that your cutting path is free from sticks, stones, wire and any other obstacles.
- ◆ Only use the tool in the upright position, with the cutting line near the ground. Never switch the tool on in any other position.
- ◆ Move slowly when using the tool. Be aware that freshly cut grass is damp and slippery.
- ◆ Do not work on steep slopes. Work across the face of slopes, not up and down.
- ◆ Never cross gravel paths or roads while the tool is running.
- ◆ Keep hands and feet away from the cutting line at all times, especially when switching on the motor.
- ◆ Take care against injury from the line trimming blade. After extending new cutting line always return the tool to its normal operating position before switching on.
- ◆ Do not put the tool down until the cutting line has come to a complete standstill.
- ◆ Always ensure that the ventilation slots are kept clear of debris.
- ◆ Use only the appropriate type of cutting line. Never use metal cutting line or fishing line.
- ◆ Be careful not to touch the line trimming blade.
- ◆ Never fit metal cutting elements.
- ◆ Only use Black and Decker replacement parts or accessories.



Denotes risk of personal injury, loss of life or damage to the product in case of non-observance of the instructions in this manual.



Read the manual prior to operation.

Overview

1. On/off switch
2. Lock-off button
3. Main handle
4. Secondary handle
5. Handle knob
6. Handle adjustment collar
7. Mode adjustment collar

8. Motor housing
9. Guard
10. Line trimming blade
11. Edge guide
12. Spool housing
13. Cutting line
14. Battery

Fig. A

15. Charger
16. Charging indicator
17. End of charge indicator

Assembly

Warning! Before assembly, remove the battery from the tool.

Fitting and removing the battery (fig. B)

- ◆ To fit the battery (14), line it up with the receptacle on the tool. Slide the battery into the receptacle and push until the battery snaps into place.
- ◆ To remove the battery, push the release button (18) while at the same time pulling the battery out of the receptacle.

Fitting the guard (fig. C)

Warning! Never operate the tool with damaged guards or shields or without guards or shield in place.

- ◆ Place the guard (9) onto the tool as shown, aligning the holes (19) with the lugs (20) on the tool.
- ◆ Press the guard until it snaps into place (A).
- ◆ Push the guard forward (B).
- ◆ Securely tighten the screws (21).

Warning! Never use the tool unless the guard is properly fitted.

Fitting a new spool of cutting line (fig. D)

Replacement spools of cutting line are available from your Black & Decker dealer (cat. no. A6481).

- ◆ Keep the tabs (22) on the spool cover (23) depressed and remove the spool cover from the housing (12).
- ◆ Remove the empty spool (24) from the housing.
- ◆ Remove any dirt or grass from the housing.
- ◆ Take the new spool and unwind approx. 12 cm of cutting line.
- ◆ Feed the cutting line through the eyelet (25).
- ◆ Push the spool onto the drive shaft (26) and rotate it slightly until it is seated. Make sure that the cutting line is not trapped under the spool and that 10-12 cm of line protrudes from the housing.
- ◆ Align the tabs on the spool cover with the holes in the housing.

- ◆ Push the cover onto the housing until it snaps into place.

Warning! If the cutting line protrudes beyond the trimming blade (11), cut it off so that it just reaches the blade.

Winding new line onto an empty spool (fig. E - G)

You may wind new cutting line onto an empty spool.

Replacement packs of cutting line are available from your Black & Decker dealer (cat. no. A6170 (25 m), A6171 (40 m)).

- ◆ Remove the empty spool from the tool as described above.
- ◆ Remove any old cutting line from the spool (27) (fig. E).
- ◆ Feed 2 cm of cutting line into one of the holes (28) in the spool as shown (fig. F).
- ◆ Bend the cutting line and anchor it in the L-shaped slot (29).
- ◆ Wind the cutting line onto the spool in the direction of the arrow. Make sure to wind the line on neatly and in layers. Do not criss-cross (fig. G).
- ◆ When the wound cutting line reaches the recesses (30), cut the line. Let the line protrude approx. 12 cm from the spool and hold a finger on the line to keep it in place (fig. E).
- ◆ Proceed as described above to fit the spool on the tool.

Warning! Only use the appropriate type of Black & Decker cutting line.

Use

Warning! Let the tool work at its own pace. Do not overload.

Charging the battery (fig. A)1

The battery needs to be charged before first use and whenever it fails to produce sufficient power on jobs that were easily done before. When charging the battery for the first time, or after prolonged storage, it will only accept an 80% charge. After several charge and discharge cycles, the battery will attain full capacity. The battery may become warm while charging; this is normal and does not indicate a problem.

Warning! Do not charge the battery at ambient temperatures below 4 °C or above 40 °C. Recommended charging temperature: approx. 24 °C.

- ◆ To charge the battery (14), remove it from the tool and insert it into the charger (15). The battery will only fit into the charger in one way. Do not force. Be sure that the battery is fully seated in the charger.
- ◆ Plug in the charger.

3 hour charger

The battery will be fully charged in approx. 3 hours. It can be removed at any time or left in the connected charger indefinitely.

1 hour charger

- ◆ Check if the red charging indicator (16) lights up. If the green end of charge indicator (17) lights up now instead, the battery is too hot and cannot be charged. If this happens, remove the battery from the charger, let the battery cool down for approx. 1 hour and re-insert it.

After approx. 1 hour of charging, the red charging indicator will stop lighting and the green end of charge indicator will light up. The battery is now fully charged.

- ◆ Remove the battery from the charger.

Adjusting the position of the secondary handle (fig. H)

The secondary handle (4) can be adjusted to provide optimum balance and comfort.

- ◆ Let the guard (9) rest on the ground.
- ◆ Slacken the handle knob (5).
- ◆ Move the handle into the desired position.
- ◆ Securely tighten the handle knob.

Adjusting the height (fig. I)

The telescopic shaft (31) allows you to set the tool to a comfortable height.

- ◆ Loosen the collar (6).
- ◆ To increase the height, slide the shaft out .
- ◆ To reduce the height, slide the shaft in.
- ◆ Tighten the collar.

Switching on and off (fig. J)

For your safety, this tool is equipped with a double switching system. This system prevents starting the tool inadvertently.

Switching on

- ◆ Push the lock-off button (2) backward using your thumb and at the same time squeeze the on/off switch (1).
- ◆ Release the lock-off button.

Switching off

- ◆ Release the on/off switch (1).

Warning! Never attempt to lock a switch in the on position.

Setting the tool to trimming or edging mode (fig. K - M)

The tool can be used in trimming mode as shown in fig. K or in edging mode to trim overhanging grass along lawn edges and flower beds as shown in fig. L.

Trimming mode (fig. K & M)

For trimming, the trimmer head should be in the position shown in fig. K. If it is not:

- ◆ While holding the secondary handle with one hand, take the collar (7) in the other hand as shown (fig. K).

- ◆ Push the collar in the direction of the trimmer head and rotate it counterclockwise until the trimmer head engages in the trimming position (fig. M).
- ◆ Release the collar.
- ◆ Set the edge guide (11) to the retracted position.

Edging mode (fig. L & M)

For edging, the trimmer head should be in the position shown in fig. L. If it is not:

- ◆ While holding the secondary handle with one hand, take the collar (7) in the other hand as shown (fig. L).
- ◆ Push the collar in the direction of the trimmer head and rotate it clockwise until the trimmer head engages in the edging position (fig. M).
- ◆ Release the collar.
- ◆ Set the edge guide (11) to the retracted position.

Hints for optimum use

Trimming

- ◆ Hold the tool as shown in fig. K.
- ◆ Gently swing the trimmer from side to side as shown in fig. K.
- ◆ When cutting long grass, work in stages from the top.
- ◆ Keep the tool away from hard objects and delicate plants.
- ◆ If the tool starts running slowly, reduce the load.

Edging

Optimum cutting results are achieved on edges deeper than 50 mm.

- ◆ Do not use the tool to create edges. To create edges, use an edging spade.
- ◆ Guide the tool as shown in fig. L. Keep the edge guide against the lawn edge.
- ◆ To make a closer cut, slightly tilt the tool.

General

- ◆ In order to achieve optimum results, only cut dry grass.
- ◆ If possible, keep the battery connected to the charger and the charger plugged in whenever the tool is not in use.

Maintenance

Your Black & Decker tool has been designed to operate over a long period of time with a minimum of maintenance.

Continuous satisfactory operation depends upon proper tool care and regular cleaning.

Your charger does not require any maintenance apart from regular cleaning.

Warning! Before performing any maintenance on the tool, remove the battery from the tool. Unplug the charger before cleaning it.

- ◆ After use disconnect the battery and check the tool for any damage.
- ◆ Regularly clean the ventilation slots in your tool and charger using a soft brush or dry cloth.
- ◆ Regularly clean the motor housing using a damp cloth. Do not use any abrasive or solvent-based cleaner.
- ◆ Regularly clean the cutting line and spool using a soft brush or dry cloth.
- ◆ Regularly use a blunt scraper to remove grass and dirt from the underneath of the guard.

Storage

When the tool will not be used for several months, ideally leave the battery connected to the charger. Otherwise proceed as follows:

- ◆ Fully charge the battery.
- ◆ Remove the battery from the tool.
- ◆ Store the tool and battery in a secure and dry location. The storage temperature must always remain in the range of +5 °C to +40 °C. Place the battery on a level surface.
- ◆ Before using the tool after prolonged storage, fully charge the battery again.

Troubleshooting

If your tool seems not to operate properly, follow the instructions below. If this does not solve the problem, please contact your local Black & Decker repair agent.

Warning! Before proceeding, remove the battery from the tool.

Tool runs slowly

- ◆ Check that the spool housing can rotate freely. Carefully clean it if necessary.
- ◆ Check that the cutting line does not protrude more than 10-12 cm from the spool housing. If it does, cut it off so that it just reaches the line trimming blade.

Automatic line feed does not work

- ◆ Keep the tabs depressed and remove the spool cover from the housing.
- ◆ Lift the spool approx. 6 mm and pull the cutting line until it protrudes 10-12 cm from the housing. If insufficient cutting line is left on the spool, install a new spool of cutting line as instructed above.
- ◆ Push the spool back into place and rotate it slightly until it is seated.
- ◆ Align the tabs on the spool cover with the holes in the housing.
- ◆ Push the cover onto the housing until it snaps securely into place.

- ◆ If the cutting line protrudes beyond the trimming blade, cut it off so that it just reaches the blade.

If the automatic line feed still does not work, try the following suggestions:

- ◆ Carefully clean the spool housing.
- ◆ Remove the spool and check if the lever can move freely.
- ◆ Remove the spool and unwind the cutting line, then wind it on neatly again as described above. Replace the spool as instructed.

Spool is jammed

- ◆ Keep the tabs depressed and remove the spool cover from the housing.
- ◆ Carefully clean the spool housing.
- ◆ Push the cover onto the housing until it snaps securely into place.

Protecting the environment



Separate collection. This product must not be disposed of with normal household waste.

Should you find one day that your Black & Decker product needs replacement, or if it is of no further use to you, do not dispose of it with household waste. Make this product available for separate collection.



Separate collection of used products and packaging allows materials to be recycled and used again. Re-use of recycled materials helps prevent environmental pollution and reduces the demand for raw materials.

Local regulations may provide for separate collection of electrical products from the household, at municipal waste sites or by the retailer when you purchase a new product.

Black & Decker provides a facility for the collection and recycling of Black & Decker products once they have reached the end of their working life. To take advantage of this service please return your product to any authorised repair agent who will collect them on our behalf.

You can check the location of your nearest authorised repair agent by contacting your local Black & Decker office at the address indicated in this manual. Alternatively, a list of authorised Black & Decker repair agents and full details of our after-sales service and contacts are available on the Internet at: www.2helpU.com

Batteries



Black & Decker batteries can be recharged many times. At the end of their useful life, discard batteries with due care for our environment:

- ◆ Run the battery down completely, then remove it from the tool.
- ◆ NiCd and NiMH batteries are recyclable. Take them to any authorised repair agent or a local recycling station.

Technical data

		GLC2500	GLC3000
Voltage	V_{DC}	18	24
No-load speed	min^{-1}	6,800	6,800
Weight	kg	1.8	1.8

Battery

Voltage	V_{DC}	18	24
Capacity	Ah	1.5	1.2
Weight	kg	0.8	1

Charger

Voltage	V_{AC}	230	230
Approx. charging time	h	3	3

EC declaration of conformity

GLC2500/GLC2500NM/GLC3000

Black & Decker declares that these products conform to: 98/37/EC, 89/336/EEC, 73/23/EEC, EN 55014, EN 60335, EN 61000, EN 786, EN 28662, EN ISO 3744, EN ISO 11201 2000/14/EC, Lawn trimmer, L = 25 cm, Annex VI, No. 499 SNCH, L-5230 Sandweiler, Luxembourg

Level of sound pressure, measured according to EN ISO 3744:

L_{pA} (sound pressure) 81 dB(A)

L_{WA} (acoustic power) 92 dB(A)

L_{WA} (guaranteed) 96 dB(A)

Hand/arm weighted vibration value according to EN 786:

< 2.5 m/s^2

Kevin Hewitt
 Director of Consumer Engineering
 Spennymoor, County Durham DL16 6JG,
 United Kingdom
 1-11-2004

Guarantee

Black & Decker is confident of the quality of its products and offers an outstanding guarantee. This guarantee statement is in addition to and in no way prejudices your statutory rights. The guarantee is valid within the territories of the Member States of the European Union and the European Free Trade Area.

If a Black & Decker product becomes defective due to faulty materials, workmanship or lack of conformity, within 24 months from the date of purchase, Black & Decker guarantees to replace defective parts, repair products subjected to fair wear and tear or replace such products to ensure minimum inconvenience to the customer unless:

- ◆ The product has been used for trade, professional or hire purposes;
- ◆ The product has been subjected to misuse or neglect;
- ◆ The product has sustained damage through foreign objects, substances or accidents;
- ◆ Repairs have been attempted by persons other than authorised repair agents or Black & Decker service staff.

To claim on the guarantee, you will need to submit proof of purchase to the seller or an authorised repair agent. You can check the location of your nearest authorised repair agent by contacting your local Black & Decker office at the address indicated in this manual. Alternatively, a list of authorised Black & Decker repair agents and full details of our after-sales service and contacts are available on the Internet at:

www.2helpU.com

Please visit our website **www.blackanddecker.co.uk** to register your new Black & Decker product and to be kept up to date on new products and special offers. Further information on the Black & Decker brand and our range of products is available at **www.blackanddecker.co.uk**

Bestimmungsgemäße Verwendung

Ihr Black & Decker Strimmer wurde zum Trimmen und Beschneiden von Rasenkanten sowie zum Schneiden von Gras an schwer zugänglichen Stellen entwickelt.

Dieses Gerät ist nicht für den gewerblichen Einsatz vorgesehen. Ihr Black & Decker Ladegerät dient zum Aufladen des im Gerät befindlichen, mitgelieferten Akkus.

Machen Sie sich mit Ihrem Gerät vertraut



- ◆ **Achtung!** Bei der Verwendung von Akkugeräten sind zum Schutz gegen Feuergefahr, gegen Austreten der Akkufflüssigkeit sowie gegen Körper- und Sachschaden grundlegende Sicherheitsmaßnahmen, einschließlich der folgenden Vorschriften, zu beachten.
- ◆ Lesen Sie diese Anleitung vollständig durch, bevor Sie das Gerät verwenden, um Ihre Sicherheit und die von Umstehenden zu gewährleisten.
- ◆ Machen Sie sich mit den Bedienungselementen und dem richtigen Gebrauch des Geräts vertraut.
- ◆ Informieren Sie sich vor der Inbetriebnahme, wie Sie das Gerät im Notfall ausschalten.
- ◆ Bewahren Sie diese Anleitung auf.

Allgemeines

1. Berücksichtigen Sie Umgebungseinflüsse!

Setzen Sie das Gerät keinem Regen aus. Verwenden Sie das Gerät nicht in einer feuchten oder nassen Umgebung. Verwenden Sie das Gerät nur bei Tageslicht oder guter künstlicher Beleuchtung. Benutzen Sie das Gerät nicht an Orten, an denen Feuer- oder Explosionsgefahr besteht, z.B. in der Nähe von brennbaren Flüssigkeiten oder Gasen. Halten Sie den Arbeitsbereich frei von Abfällen und Hindernissen.

2. Halten Sie Kinder fern!

Halten Sie Kinder, Besucher und Tiere vom Arbeitsbereich fern und sorgen Sie dafür, daß Sie das Gerät nicht berühren.

3. Tragen Sie geeignete Arbeitskleidung!

Tragen Sie keine weite Kleidung oder Schmuck, da diese Gegenstände von sich bewegenden Teilen erfaßt werden können. Beim Arbeiten im Freien sind Arbeitshandschuhe und rutschfestes Schuhwerk empfehlenswert. Tragen Sie ein Haarnetz, falls Sie längere Haare haben.

4. Schutzmaßnahmen

Verwenden Sie immer eine Schutzbrille. Tragen Sie einen Gesichtsschutz oder eine Staubmaske, falls die Arbeiten Staub oder herumfliegende Teilchen verursachen können. Tragen Sie bei einem hohen oder unangenehmen Schallpegel immer einen Gehörschutz.

5. Nicht zu weit nach vorne strecken!

Achten Sie auf einen sicheren Stand, um in jeder Arbeitsposition das Gleichgewicht zu halten.

6. Seien Sie stets aufmerksam!

Konzentrieren Sie sich auf Ihre Arbeit. Gehen Sie vernünftig vor. Verwenden Sie das Gerät nicht, wenn Sie müde sind.

7. Sichern Sie das Werkstück!

Benutzen Sie Spannvorrichtungen oder einen Schraubstock, um das Werkstück festzuhalten. Dies ist sicherer und ermöglicht die Bedienung des Gerätes mit beiden Händen.

8. Lassen Sie keine Schraubenschlüssel stecken!

Überprüfen Sie vor dem Einschalten, ob die Schraubenschlüssel und Einstellwerkzeuge entfernt sind.

9. Benutzen Sie das richtige Gerät!

Die bestimmungsgemäße Verwendung ist in dieser Betriebsanleitung beschrieben. Verwenden Sie keine zu schwachen Geräte oder Zubehörteile für schwere Arbeiten. Mit dem richtigen Gerät erzielen Sie eine optimale Qualität und gewährleisten Ihre persönliche Sicherheit. Überlasten Sie das Gerät nicht.

Achtung! Das Verwenden anderer als der in dieser Anleitung empfohlenen Vorsatzgeräte und Zubehörteile oder die Ausführung von Arbeiten mit diesem Gerät, die nicht der bestimmungsgemäßen Verwendung entsprechen, kann zu Unfallgefahren führen.

10. Kontrollieren Sie Ihr Gerät auf Beschädigungen!

Überprüfen Sie das Gerät vor der Arbeit auf Beschädigungen. Vergewissern Sie sich, daß alle beweglichen Teile richtig montiert sind und nicht klemmen, daß keine Teile gebrochen sind, daß keine Schutzvorrichtungen und Schalter beschädigt sind, und prüfen Sie, ob irgendwelche anderen Schäden den einwandfreien Betrieb des Gerätes beeinträchtigen könnten. Vergewissern Sie sich, daß das Gerät ordnungsgemäß funktionieren wird. Benutzen Sie das Gerät nicht, wenn irgendein Teil defekt ist. Verwenden Sie das Gerät nicht, wenn der Ein-/Ausschalter nicht funktioniert. Lassen Sie defekte Teile immer von einer unserer Kundendienstwerkstätten reparieren oder austauschen. Versuchen Sie nie, das Gerät selber zu reparieren.

11. Entfernen Sie den Akku!

Entfernen Sie, falls möglich, den Akku, wenn Sie das Gerät nicht benutzen, bevor Sie irgendwelche Werkzeuge, Zubehörteile oder Geräteteile auswechseln und bevor Sie irgendwelche Wartungsarbeiten vornehmen.

12. Vermeiden Sie ein unbeabsichtigtes Einschalten!

Tragen Sie das Gerät nicht mit dem Finger am Ein-/Ausschalter. Vergewissern Sie sich, daß das Gerät ausgeschaltet ist, wenn Sie den Akku anbringen.

13. Behandeln Sie das Kabel sorgfältig!

Tragen Sie das Ladegerät nicht am Kabel und benutzen Sie das Kabel nicht, um den Stecker aus der Steckdose zu ziehen. Schützen Sie das Kabel vor Hitze, Öl und scharfen Kanten.

14. Bewahren Sie Ihre Geräte sicher auf!

Unbenutzte Geräte, Ladegeräte und Akkus sind an einem trockenen, für Kinder nicht erreichbaren Ort aufzubewahren.

15. Pflegen Sie Ihre Geräte mit Sorgfalt!

Halten Sie Schneidwerkzeuge scharf und sauber, um gut und sicher arbeiten zu können. Befolgen Sie die Wartungsvorschriften und die Hinweise für den Werkzeugwechsel. Halten Sie Handgriffe und Schalter trocken, sauber und frei von Öl und Fett.

16. Reparaturen

Dieses Gerät entspricht den einschlägigen Sicherheitsvorschriften. Reparaturen sind nur von autorisierten Fachkräften und mit Original-Ersatzteilen vorzunehmen; andernfalls kann Unfallgefahr für den Betreiber entstehen.

Zusätzliche Sicherheitshinweise für Akkus und Ladegeräte

Akkus

- ◆ Versuchen Sie auf keinen Fall, einen Akku zu öffnen.
- ◆ Setzen Sie den Akku keiner Nässe aus.
- ◆ Nicht an einem Ort aufbewahren, wo die Temperatur 40 °C überschreiten kann.
- ◆ Nur bei Umgebungstemperaturen zwischen 4 °C und 40 °C aufladen.
- ◆ Laden Sie den Akku nur mit dem im Lieferumfang enthaltenen Ladegerät.
- ◆ Befolgen Sie bei der Entsorgung von Akkus die Anweisungen im Abschnitt "Umweltschutz".
- ◆ Unter extremen Einsatzbedingungen kann Akkufflüssigkeit aus dem Akku austreten. Wenn sich Flüssigkeit auf dem Akku befindet, gehen Sie folgendermaßen vor:
 - Wischen Sie die Flüssigkeit mit Hilfe eines Tuches vorsichtig vom Akku. Vermeiden Sie eine Berührung mit der Haut.
 - Falls die Flüssigkeit dennoch mit der Haut oder den Augen in Berührung kommen sollte, befolgen Sie die folgenden Anweisungen.

Achtung! Die Akkufflüssigkeit, eine 25 bis 30% starke Kaliumhydroxidlösung, kann schädlich sein. Falls die Lösung mit der Haut in Berührung kommt, spülen Sie sofort mit reichlich Wasser. Neutralisieren Sie die Lösung mit einer milden Säure wie Zitronensaft oder Essig. Falls die Lösung mit den Augen in Berührung kommt, spülen Sie mindestens 10 Minuten lang mit reichlich klarem Wasser. Wenden Sie sich an einen Arzt.

- ◆ Verbrennen Sie den Akku nicht!
- ◆ Versuchen Sie nie, einen beschädigten Akku zu laden!

Ladegeräte

- ◆ Verwenden Sie Ihr Black & Decker Ladegerät nur zum Laden von Akkus vom im Lieferumfang enthaltenen Typ. Andere Akkus könnten platzen und Sach- und Personenschäden verursachen.
- ◆ Versuchen Sie nie, nicht aufladbare Batterien zu laden.
- ◆ Lassen Sie beschädigte Leitungen sofort austauschen.
- ◆ Setzen Sie das Ladegerät niemals Nässe aus.
- ◆ Öffnen Sie das Ladegerät nicht.
- ◆ Fassen Sie nicht mit den Fingern oder irgendwelchen Gegenständen in das Ladegerät.



Das Ladegerät ist ausschließlich für den Gebrauch in geschlossenen Räumen vorgesehen.

Elektrische Sicherheit



Ihr Ladegerät ist schutzisoliert, daher ist keine Erdleitung erforderlich. Überprüfen Sie immer, ob die Netzspannung mit der Spannung auf der Datenplakette übereinstimmt. Tauschen Sie das Ladegerät auf keinen Fall gegen einen Netzstecker aus.

Zusätzliche Sicherheitsanweisungen für Rasentrimmer

Das Gerät ist mit folgenden Warnsymbolen versehen:



Tragen Sie bei der Verwendung dieses Geräts eine Schutzbrille!



Achtung! Nach dem Ausschalten des Gerätes läuft der Schneidfaden noch einige Sekunden lang nach. Versuchen Sie nie, den Schneidfaden anzuhalten.



Halten Sie Umstehende und Tiere mindestens 6 m vom Arbeitsbereich fern.



Setzen Sie das Gerät keinem Regen oder hoher Feuchtigkeit aus.

- ◆ Untersagen Sie Kindern sowie Personen, die sich mit dem Inhalt dieser Anleitung nicht auskennen, die Verwendung dieses Geräts.
- ◆ Tragen Sie zum Schutz Ihrer Füße feste Schuhe oder Stiefel.
- ◆ Tragen Sie zum Schutz Ihrer Beine lange Hosen.
- ◆ Vor der Verwendung des Geräts und nach jeder Stoßeinwirkung prüfen Sie das Gerät auf Anzeichen von Verschleiß und Beschädigungen und führen Sie gegebenenfalls Reparaturen aus.
- ◆ Bevor Sie das Gerät verwenden, vergewissern Sie sich, daß der Arbeitsbereich frei von Stöcken, Steinen, Draht und anderen Hindernissen ist.

- ◆ Verwenden Sie das Gerät nur in aufrechter Position, mit dem Schneidfaden nahe am Boden. Schalten Sie das Gerät niemals ein, wenn es sich in einer anderen Position befindet.
- ◆ Bewegen Sie sich während der Arbeit mit dem Gerät nur langsam. Beachten Sie, daß frisch geschnittener Rasen feucht und rutschig ist.
- ◆ Arbeiten Sie nicht auf steilen Hängen. Schneiden Sie entlang der Böschung, nie von oben nach unten.
- ◆ Überqueren Sie keine Kieselwege oder -wege, während das Gerät läuft.
- ◆ Halten Sie stets die Hände und Füße vom Schneidfaden fern, besonders beim Einschalten des Motors.
- ◆ Seien Sie vorsichtig, damit Sie sich nicht am Faden-Kappmesser verletzen. Nach dem Verlängern des Schneidfadens bringen Sie das Gerät wieder in die Betriebsposition, bevor Sie es einschalten.
- ◆ Legen Sie das Gerät erst ab, wenn der Schneidfaden zum Stillstand gekommen ist.
- ◆ Vergewissern Sie sich stets, daß die Ventilationsschlitze frei von Unrat sind.
- ◆ Verwenden Sie ausschließlich Schneidfäden des richtigen Typs. Verwenden Sie nie Schneidfäden aus Metall oder Angelschnur.
- ◆ Achten Sie darauf, daß Sie das Faden-Kappmesser nicht berühren.
- ◆ Bringen Sie niemals Gegenstände zum Schneiden von Metall an.
- ◆ Verwenden Sie nur Ersatzteile und Zubehör von Black & Decker.



Verletzungsgefahr, Lebensgefahr oder mögliche Beschädigung des Produktes infolge der Nichtbeachtung der Anweisungen dieser Anleitung!



Lesen Sie vor der Inbetriebnahme die Anleitung.

Übersicht

1. Ein-/Aus-Schalter
2. Einschaltsperr
3. Haupthandgriff
4. Zweithandgriff
5. Befestigungsknopf
6. Handgriff-Einstellung
7. Betriebsart-Einstellung
8. Motorgehäuse
9. Schutzvorrichtung
10. Faden-Kappmesser
11. Kantenführungsschiene
12. Spulengehäuse
13. Schneidfaden

14. Akku

Abb. A

15. Ladegerät
16. Ladeanzeige
17. Statusanzeige

Montage

Achtung! Nehmen Sie vor der Montage den Akku vom Gerät.

Anbringen und Entfernen des Akkus (Abb. B)

- ◆ Um den Akku (14) anzubringen, richten Sie ihn mit der Aufnahme im Gerät aus. Schieben Sie den Akku in die Aufnahme und drücken Sie, bis er einrastet.
- ◆ Um den Akku zu entfernen, drücken Sie den Löseknopf (18) und ziehen Sie gleichzeitig den Akku aus der Aufnahme heraus.

Montieren der Schutzvorrichtung (Abb. C)

Achtung! Betreiben Sie das Gerät niemals mit beschädigten Schutzvorrichtungen oder -schildern und nur, wenn diese Teile an ihrem Platz angebracht sind.

- ◆ Bringen Sie die Schutzvorrichtung (9) gemäß der Abbildung am Gerät an. Richten Sie die Löcher (19) mit den Zapfen (20) am Gerät aus.
- ◆ Drücken Sie die Schutzvorrichtung auf das Gerät, bis sie einrastet (A).
- ◆ Drücken Sie die Schutzvorrichtung nach vorne (B).
- ◆ Ziehen Sie die Schrauben (21) fest an.

Achtung! Verwenden Sie das Gerät nur, wenn die Schutzvorrichtung ordnungsgemäß montiert ist.

Anbringen einer neuen Fadenspule (Abb. D)

Neue Spulen mit Schneidfaden sind bei Ihrem Black & Decker Händler erhältlich (Bestellnummer A6481).

- ◆ Halten Sie die Laschen (22) am Spulendeckel (23) gedrückt und entfernen Sie den Deckel vom Gehäuse (12).
- ◆ Entfernen Sie die leere Spule (24) aus dem Gehäuse.
- ◆ Entfernen Sie Schmutz- und Grasreste aus dem Gehäuse.
- ◆ Nehmen Sie die neue Spule und wickeln Sie zirka 12 cm Schneidfaden von der Spule.
- ◆ Führen Sie den Schneidfaden durch die Öse (25).
- ◆ Drücken Sie die Spule auf die Antriebswelle (26) und drehen Sie die Spule ein wenig hin und her, bis sie gut sitzt. Vergewissern Sie sich, daß der Schneidfaden sich nicht unter der Spule verfängt, und daß 10-12 cm Schneidfaden aus dem Spulengehäuse hervorsteht.
- ◆ Richten Sie die Laschen am Spulendeckel mit den entsprechenden Öffnungen im Gehäuse aus.
- ◆ Drücken Sie den Deckel auf das Gehäuse, bis er einrastet.

Achtung! Falls der hervorstehende Teil des Schneidfadens länger ist als der Abstand von der Spule zum Faden-Kappmesser (11), schneiden Sie den Faden ab, so daß er gerade bis zum Faden-Kappmesser reicht.

Aufwickeln neuen Fadens auf eine leere Spule (Abb. E - G)

Sie können einen neuen Schneidfaden auf eine leere Spule aufwickeln. Ersatzpackungen mit Schneidfaden sind bei Ihrem Black & Decker Händler erhältlich (Bestellnummer A6170 (25 m), A6171 (40 m)).

- ◆ Entfernen Sie die leere Spule gemäß Beschreibung oben.
- ◆ Entfernen Sie etwaige Fadenreste von der Spule (27) (Abb. E).
- ◆ Führen Sie 2 cm Schneidfaden wie abgebildet in eines der Löcher (28) in der Spule (Abb. F).
- ◆ Knicken Sie den Schneidfaden um und befestigen ihn im L-förmigen Schlitz (29).
- ◆ Wickeln Sie den Schneidfaden in Richtung des Pfeils auf die Spule auf. Achten Sie darauf, daß Sie den Faden sauber und in Schichten aufwickeln. Vermeiden Sie ein kreuzweises Aufwickeln (Abb. G).
- ◆ Wenn der aufgewickelte Faden die Aussparungen (30) erreicht, schneiden Sie ihn ab. Wickeln Sie zirka 12 cm Faden von der Spule ab und halten Sie einen Finger auf den Faden, um ihn in seiner Lage zu halten (Abb. E).
- ◆ Um die Spule am Gerät anzubringen, gehen Sie wie oben beschrieben vor.

Achtung! Verwenden Sie ausschließlich Black & Decker Schneidfäden des richtigen Typs.

Gebrauch

Achtung! Beschleunigen Sie den Arbeitsvorgang nicht mit Gewalt. Vermeiden Sie eine Überlastung des Gerätes.

Laden des Akkus (Abb. A)

Der Akku ist zu laden, bevor Sie das Akku-Gerät zum ersten Mal benutzen sowie wenn die Leistung des Akku-Geräts spürbar nachläßt. Wenn der Akku zum ersten Mal oder nach längerer Lagerung geladen wird, wird er nur 80% der Nennkapazität erreichen. Erst nach mehreren Lade- und Entladezyklen wird der Akku die volle Kapazität erreichen. Während des Ladens kann sich der Akku erwärmen. Dies deutet nicht auf irgendein Problem hin.

Achtung! Laden Sie den Akku nicht bei einer Umgebungstemperatur unter 4 °C oder über 40 °C.
Empfohlene Ladetemperatur: zirka 24 °C.

- ◆ Um den Akku (14) zu laden, entfernen Sie ihn vom Gerät und stecken ihn in das Ladegerät (15). Der Akku läßt sich nur in einer Stellung in das Ladegerät einführen.

Wenden Sie keine Gewalt an. Vergewissern Sie sich, daß der Akku vollständig in das Ladegerät eingeführt ist.

- ◆ Stecken Sie den Netzstecker des Ladegerätes in die Steckdose.

3-Stunden-Ladegerät

Der Akku wird in zirka 3 Stunden vollständig geladen. Er kann jederzeit aus dem Ladegerät entfernt oder für eine unbegrenzte Zeit im angeschlossenen Ladegerät belassen werden.

1-Stunden-Ladegerät

- ◆ Überprüfen Sie, ob die rote Ladeanzeige (16) aufleuchtet. Falls statt dessen die grüne Anzeige für das Ende des Ladevorgangs (17) aufleuchtet, ist der Akku zu heiß zum Laden. Ist dies der Fall, so nehmen Sie den Akku aus dem Ladegerät, lassen ihn ca. eine Stunde lang abkühlen und setzen ihn dann wieder in das Ladegerät ein.

Nach dem ca. einstündigen Ladevorgang erlischt die rote Ladeanzeige und es leuchtet die grüne Anzeige für das Ende des Ladevorgangs auf. Der Akku ist nun vollständig geladen.

- ◆ Entfernen Sie den Akku vom Ladegerät.

Einstellen der Position des Zweithandgriffs (Abb. H)

Der Zweithandgriff (4) läßt sich einstellen, damit Sie in optimaler Haltung arbeiten können.

- ◆ Setzen Sie das Gerät mit der Schutzvorrichtung (9) auf den Boden.
- ◆ Lockern Sie den Befestigungsknopf (5).
- ◆ Bewegen Sie den Handgriff in die gewünschte Stellung.
- ◆ Ziehen Sie den Befestigungsknopf fest an.

Einstellung der Höhe (Abb. I)

Mit der Teleskopwelle (31) können Sie das Gerät auf eine komfortable Höhe einstellen.

- ◆ Lösen Sie den Ring (6).
- ◆ Um die Höhe zu vergrößern, ziehen Sie die Welle heraus.
- ◆ Um die Höhe zu verringern, schieben Sie die Welle herein.
- ◆ Ziehen Sie den Ring an.

Ein- und Ausschalten (Abb. J)

Aus Sicherheitsgründen ist dieses Gerät mit einem Doppelschaltersystem ausgestattet. Dieses System verhindert ein unbeabsichtigtes Einschalten des Gerätes.

Einschalten

- ◆ Drücken Sie die Einschaltsperr (2) mit dem Daumen nach hinten und drücken Sie gleichzeitig auf den Ein-/Ausschalter (1).
- ◆ Lassen Sie die Einschaltsperr los.

Ausschalten

- ◆ Lassen Sie den Ein-/Ausschalter (1) los.

Achtung! Versuchen Sie nie, einen Schalter in eingeschaltetem Zustand zu blockieren.

Einstellen des Gerätes auf Trimmen oder Kantenschneiden (Abb. K - M)

Dieses Gerät kann sowohl zum Trimmen wie in Abb. K als auch zum Kantenschneiden (Beschneiden von überhängendem Gras entlang von Rasenkanten und Blumenbeeten) wie in Abb. L verwendet werden.

Trimm-Modus (Abb. K & M)

Zum Trimmen sollte sich der Kopf des Geräts in der in Abb. K gezeigten Position befinden. Falls nicht:

- ◆ Während Sie das Gerät mit einer Hand am Zweithandgriff halten, halten Sie den Ring (7) mit der anderen (Abb. K).
- ◆ Drücken Sie den Ring in Richtung Gerätekopf und drehen Sie den Ring gegen den Uhrzeigersinn, bis der Gerätekopf in der Trimm-Position einrastet (Abb. M).
- ◆ Lassen Sie den Ring los.
- ◆ Fahren Sie die Kantenführungsschiene (11) ein.

Kantenschneid-Modus (Abb. L & M)

Zum Kantenschneiden sollte sich der Kopf des Geräts in der in Abb. L gezeigten Position befinden. Falls nicht:

- ◆ Während Sie das Gerät mit einer Hand am Zweithandgriff halten, halten Sie den Ring (7) mit der anderen (Abb. L).
- ◆ Drücken Sie den Ring in Richtung Gerätekopf und drehen Sie den Ring im Uhrzeigersinn, bis der Gerätekopf in der Kantenschneid-Position einrastet (Abb. M).
- ◆ Lassen Sie den Ring los.
- ◆ Fahren Sie die Kantenführungsschiene (11) ein.

Hinweise für optimale Arbeitsergebnisse

Trimmen

- ◆ Halten Sie das Gerät, wie in Abb. K dargestellt.
- ◆ Schwenken Sie den Rasentrimmer sanft hin und her, wie in Abb. K dargestellt.
- ◆ Bei langem Gras arbeiten Sie stufenweise in kleinen Schritten von oben nach unten.
- ◆ Halten Sie das Gerät von harten Gegenständen und empfindlichen Pflanzen fern.
- ◆ Falls das Gerät beginnt, langsam zu laufen, verringern Sie die Belastung.

Kantenschneiden

Optimale Schnittergebnisse erhalten Sie bei Kanten mit einer Tiefe von mindestens 50 mm.

- ◆ Verwenden Sie das Gerät nicht zum Bilden neuer Kanten. Zum Bilden von Kanten verwenden Sie einen Kantenspaten.

- ◆ Führen Sie das Gerät, wie in Abb. L dargestellt. Halten Sie die Kantenführungsschiene dicht an die Rasenkante.
- ◆ Um einen kürzeren Schnitt zu erzielen, neigen Sie das Gerät ein wenig.

Allgemeines

- ◆ Um optimale Ergebnisse zu erzielen, schneiden Sie nur trockenes Gras.
- ◆ Wenn das Gerät nicht verwendet wird, lassen Sie den Akku möglichst immer am Ladegerät und das Ladegerät an der Stromversorgung angeschlossen.

Wartung

Ihr Black & Decker Gerät wurde im Hinblick auf eine lange Lebensdauer und einen möglichst geringen Wartungsaufwand entwickelt. Ein dauerhafter, einwandfreier Betrieb setzt eine regelmäßige Reinigung voraus.

Ihr Ladegerät bedarf keinerlei Wartung außer einer regelmäßigen Reinigung.

Achtung! Bevor Sie irgendwelche Wartungsarbeiten vornehmen, entfernen Sie den Akku vom Gerät. Ziehen Sie den Netzstecker des Ladegeräts aus der Steckdose, bevor Sie es reinigen.

- ◆ Trennen Sie den Akku nach dem Gebrauch und prüfen Sie das Gerät auf Beschädigungen.
- ◆ Reinigen Sie regelmäßig die Lüftungsschlitze im Gerät und Ladegerät mit Hilfe einer weichen Bürste oder eines trockenen Tuches.
- ◆ Reinigen Sie regelmäßig das Motorgehäuse mit Hilfe eines feuchten Tuches. Verwenden Sie keine scheuernden Reinigungsmittel oder Reinigungsmittel auf Lösungsmittelbasis.
- ◆ Reinigen Sie regelmäßig den Schneidfaden und die Fadenspule mit einer weichen Bürste oder einem trockenen Tuch.
- ◆ Verwenden Sie regelmäßig einen stumpfen Schaber, um Gras und Schmutzreste von der Unterseite der Schutzvorrichtung zu entfernen.

Aufbewahrung

Auch wenn das Gerät mehrere Monate lang nicht verwendet wird, lassen Sie es am bestem am Ladegerät angeschlossen. Falls dies nicht möglich ist, gehen Sie folgendermaßen vor:

- ◆ Laden Sie den Akku vollständig.
- ◆ Entfernen Sie den Akku vom Gerät.
- ◆ Bewahren Sie das Gerät und den Akku an einem sicheren und trockenen Ort auf. Die Temperatur am Aufbewahrungsort muß immer im Bereich zwischen +5 °C und +40 °C liegen. Stellen Sie den Akku auf einer ebenen Oberfläche auf.

- ◆ Bevor Sie das Gerät nach längerer Aufbewahrung wieder verwenden, laden Sie den Akku wieder vollständig auf.

Fehlersuche

Falls Ihr Gerät nicht ordnungsgemäß funktioniert, befolgen Sie folgende Hinweise. Falls die Störung damit nicht behoben wird, wenden Sie sich bitte an den Black & Decker Kundendienst.

Achtung! Nehmen Sie den Akku vom Gerät, bevor Sie die folgenden Schritte ausführen.

Das Gerät läuft nur langsam.

- ◆ Überprüfen Sie, ob sich das Spulengehäuse frei drehen kann. Reinigen Sie es gegebenenfalls sorgfältig.
- ◆ Überprüfen Sie, ob die Länge des aus dem Spulengehäuse hervorstehenden Schneidfadens größer als 10-12 cm ist. Ist dies der Fall, dann schneiden Sie den Faden ab, so daß er gerade das Faden-Kappmesser erreicht.

Die automatische Fadenzufuhr funktioniert nicht.

- ◆ Halten Sie die Laschen gedrückt und nehmen Sie den Spulendeckel vom Gehäuse.
- ◆ Heben Sie die Spule zirka 6 mm an und ziehen Sie den Schneidfaden hinaus, bis er 10-12 cm aus dem Spulengehäuse hervorsteht. Falls der Schneidfaden auf der Spule nicht mehr ausreicht, setzen Sie wie oben beschrieben eine neue Fadenspule ein.
- ◆ Drücken Sie die Spule wieder an ihre Stelle und drehen Sie sie ein wenig hin und her, bis sie gut sitzt.
- ◆ Richten Sie die Laschen am Spulendeckel mit den entsprechenden Öffnungen im Gehäuse aus.
- ◆ Drücken Sie den Deckel auf das Gehäuse, bis er sicher einrastet.
- ◆ Falls der Schneidfaden über das Faden-Kappmesser hinaus hervorsteht, schneiden Sie den Faden ab, so daß er gerade bis zum Faden-Kappmesser reicht.

Falls die automatische Fadenzufuhr noch immer nicht funktioniert, versuchen Sie folgendes:

- ◆ Reinigen Sie sorgfältig das Spulengehäuse.
- ◆ Entfernen Sie die Spule und überprüfen Sie, ob sich der Hebel frei bewegen kann.
- ◆ Entfernen Sie die Spule, und wickeln Sie den Faden ab. Wickeln Sie den Faden dann wie oben beschrieben wieder sauber auf. Bringen Sie die Spule wieder wie beschrieben an.

Die Spule klemmt

- ◆ Halten Sie die Laschen gedrückt und nehmen Sie den Spulendeckel vom Gehäuse.
- ◆ Reinigen Sie sorgfältig das Spulengehäuse.

- ◆ Drücken Sie den Deckel auf das Gehäuse, bis er sicher einrastet.

Umweltschutz



Getrennte Entsorgung. Dieses Produkt darf nicht über den normalen Hausmüll entsorgt werden.

Sollte Ihr Black & Decker Produkt eines Tages erneuert werden müssen, oder falls Sie es nicht weiter verwenden wollen, so darf es nicht über den Hausmüll entsorgt werden. Stellen Sie dieses Produkt zur getrennten Entsorgung bereit.



Durch die getrennte Entsorgung gebrauchter Produkte und Verpackungen können die Materialien recycelt und wiederverwertet werden. Die Wiederverwertung recycelter Materialien schont die Umwelt und verringert die Nachfrage nach Rohstoffen.

Die regionalen Bestimmungen schreiben unter Umständen die getrennte Entsorgung elektrischer Produkte aus dem Haushalt an Sammelstellen oder seitens des Händlers vor, bei dem Sie das neue Produkt erworben haben.

Black & Decker nimmt Ihre ausgedienten Black & Decker Geräte gern zurück und sorgt für eine umweltfreundliche Entsorgung und Wiederverwertung. Um diesen Dienst zu nutzen, schicken Sie bitte Ihr Produkt zu einer Vertragswerkstatt. Hier wird es dann auf unsere Kosten gesammelt.

Die Adresse der zuständigen Black & Decker Vertretung steht in diesem Handbuch, darüber läßt sich die nächstgelegene Vertragswerkstatt ermitteln. Außerdem ist eine Liste der Vertragswerkstätten und aller Kundendienststellen von Black & Decker sowie der zuständigen Ansprechpartner im Internet zu finden unter: www.2helpU.com

Akkus



Black & Decker Akkus lassen sich viele Male wiederaufladen. Entsorgen Sie eine leere Batterie am Ende ihrer Lebensdauer auf umweltgerechte Weise:

- ◆ Entladen Sie die Batterie vollständig, und entfernen Sie sie anschließend aus dem Werkzeug.
- ◆ NiCd- und NiMH-Akkus sind wiederverwertbar. Bringen Sie sie zu einer Vertragswerkstatt oder einer Recycling-Station in Ihrer Nähe.

Technische Daten

		GLC2500	GLC3000
Spannung	V _{DC}	18	24
Leerlaufdrehzahl	min ⁻¹	6.800	6.800
Gewicht	kg	1,8	1,8

Akku

Spannung	V _{DC}	18	24
Kapazität	Ah	1,5	1,2
Gewicht	kg	0,8	1

Ladegerät

Spannung	V _{AC}	230	230
Ladezeit (zirka)	Std.	3	3

EC-Konformitätserklärung

GLC2500/GLC2500NM/GLC3000

Black & Decker erklärt, daß diese Produkte folgende

Konformität erfüllen:

98/37/EWG, 89/336/EWG, 73/23/EWG, EN 55014, EN 60335,
EN 61000, 2000/14/EWG, EN 786, EN 28662, EN ISO 3744,
EN ISO 11201

Rasentrimmer, L = 25 cm, Anhang VI, Nr. 499
SNCH, L-5230 Sandweiler, Luxemburg

Höhe des Schalldrucks, gemessen nach EN ISO 3744:

L_{PA} (Schalldruck) 81 dB(A)

L_{WA} (Schalleistung) 92 dB(A)

L_{WA} (garantiert) 96 dB(A)

Gewichteter Hand-/Arm-Vibrationswert nach EN 786: < 2,5 m/s²



Kevin Hewitt

Director of Consumer Engineering
Spennymoor, County Durham DL16 6JG,
Vereinigtes Königreich
1-11-2004

Tritt innerhalb von 24 Monaten ab Kaufdatum an einem Gerät von Black & Decker ein auf Material- oder Verarbeitungsfehler zurückzuführender Mangel auf, garantiert Black & Decker den Austausch defekter Teile, die Reparatur von Geräten mit üblichem Verschleiß bzw. den Austausch eines mangelhaften Geräts, ohne den Kunden dabei mehr als unbedingt nötig in Anspruch zu nehmen, allerdings vorbehaltlich folgender Ausnahmen:

- ◆ wenn das Gerät gewerblich, beruflich oder im Verleihgeschäft benutzt wurde;
- ◆ wenn das Gerät mißbräuchlich verwendet oder mit mangelnder Sorgfalt behandelt wurde;
- ◆ wenn das Gerät durch irgendwelche Fremdeinwirkung beschädigt wurde;
- ◆ wenn ein unbefugter Reparaturversuch durch anderes Personal als das einer Vertragswerkstatt oder des Black & Decker-Kundendienstes unternommen wurde.

Zur Inanspruchnahme dieser Garantie ist dem Verkäufer bzw. der Vertragswerkstatt ein Kaufnachweis vorzulegen. Der Kaufnachweis muß Kaufdatum und Gerätetyp bescheinigen. Die Adresse des zuständigen Büros von Black & Decker steht in dieser Anleitung, darüber läßt sich die nächstgelegene Vertragswerkstatt ermitteln. Außerdem ist eine Liste der Vertragswerkstätten und aller Kundendienststellen von Black & Decker sowie der zuständigen Ansprechpartner im Internet zu finden unter: **www.2helpU.com**

Bitte besuchen Sie unsere Webseite

www.blackanddecker.com, um Ihr neues Black & Decker Produkt zu registrieren und über neue Produkte und Sonderangebote aktuell informiert zu werden. Weitere Informationen über die Marke Black & Decker und unsere Produkte finden Sie unter **www.blackanddecker.com**

Garantie

Black & Decker vertraut auf die Qualität der eigenen Geräte und bietet dem Käufer eine außergewöhnliche Garantie.

Diese Garantiezusage versteht sich unbeschadet der gesetzlichen Gewährleistungsansprüche und schränkt diese keinesfalls ein. Sie gilt in sämtlichen Mitgliedsstaaten der Europäischen Union und der Europäischen Freihandelszone EFTA.

Utilisation prévue

Votre coupe bordures Black & Decker a été conçu pour tailler et arranger les bordures de pelouse et pour couper l'herbe dans des espaces réduits.

Cet outil a été conçu pour une utilisation exclusivement domestique.

Votre chargeur Black & Decker a été conçu pour recharger la batterie de l'outil avec lequel il vous a été fourni.

Connaissez votre outil



- ◆ **Attention !** Lors de l'utilisation d'outils sans fil, observez les consignes de sécurité fondamentales, y compris celles qui suivent afin de réduire les risques d'incendie, de fuite de batteries, de blessures et de dommage matériel.
- ◆ Pour votre propre sécurité et celle des personnes environnantes, lisez attentivement les instructions de ce manuel avant d'utiliser l'outil.
- ◆ Familiarisez-vous avec les commandes et l'utilisation de cet outil.
- ◆ Avant d'utiliser l'outil, assurez-vous de savoir comment mettre votre outil à l'arrêt en cas d'urgence.
- ◆ Conservez ces instructions à titre de référence.

Général

1. Tenez compte de l'environnement de travail

N'exposez pas l'outil à la pluie. N'exposez pas l'outil à l'humidité. N'utilisez l'outil qu'à la lumière du jour ou sous un éclairage artificiel efficace. N'utilisez pas l'outil s'il existe un risque d'incendie ou d'explosion, par exemple en présence de liquides ou de gaz inflammables. Maintenez l'aire de travail libre de déchets et d'obstacles.

2. Tenez les enfants éloignés

Ne laissez pas les enfants, les visiteurs ou les animaux s'approcher de l'aire de travail ou toucher l'outil.

3. Portez des vêtements de travail adéquats

Ne portez pas de vêtements amples ou de bijoux. Ils pourraient être coincés dans les pièces mobiles. Lors de travaux à l'extérieur, il est recommandé de porter des gants en caoutchouc et des chaussures à semelle anti-dérapante. Le cas échéant, attachez vos cheveux s'ils sont longs, ou couvrez-vous la tête.

4. Protection individuelle

Utilisez toujours des lunettes de protection. Portez des lunettes de protection et un masque pour protéger le visage si le travail exécuté produit de la poussière ou des particules volatiles. Portez des protections auditives lorsque le niveau sonore semble gênant.

5. Adoptez une position confortable

Adoptez une position stable et gardez votre équilibre à tout moment.

6. Faites preuve de vigilance

Observez votre travail. Faites preuve de bon sens.

N'utilisez pas l'outil en cas de fatigue.

7. Fixez bien la pièce à travailler

Pour plus de sécurité, fixez la pièce à travailler avec un dispositif de serrage ou un étau. Ainsi, vous aurez les deux mains libres pour manier l'outil.

8. Enlevez les clés et outils de réglage

Avant de mettre l'outil en marche, retirez les clés et outils de réglage.

9. Utilisez l'outil adéquat

Le domaine d'utilisation de l'outil est décrit dans le présent manuel. Ne pas utiliser d'outils ou d'accessoires de trop faible puissance pour exécuter des travaux lourds. L'utilisation d'accessoires autres que ceux recommandés dans le présent manuel peut entraîner un risque de blessure. Ne forcez pas sur l'outil.

Attention ! L'utilisation d'accessoires autres que ceux recommandés dans le présent manuel peut entraîner un risque de blessure.

10. Contrôlez les dommages éventuels de votre outil

Avant d'utiliser l'outil, vérifiez soigneusement qu'il n'est pas endommagé. Vérifiez l'alignement des pièces en mouvement, leur prise et toute rupture de pièces, tout dommage des protections et des interrupteurs et toute autre condition pouvant affecter le fonctionnement de l'outil. Veillez à ce que l'outil fonctionne correctement et qu'il exécute les tâches pour lesquelles il est prévu. N'utilisez pas l'outil si une pièce est défectueuse. Ne pas utiliser l'outil si l'interrupteur marche/arrêt ne fonctionne pas. Faites réparer ou remplacer toute pièce endommagée par un réparateur agréé. Ne tentez jamais de le réparer vous-même.

11. Enlevez la batterie

Le cas échéant, enlevez la batterie lorsque l'outil n'est pas utilisé, avant de changer toute pièce de l'outil ou tout accessoire et avant de procéder à l'entretien.

12. Évitez tout démarrage involontaire

Ne portez pas l'outil avec un doigt sur l'interrupteur marche/arrêt. Veillez à ce que l'outil soit débranché lorsque vous y insérez la batterie.

13. Ne tirez pas sur le câble d'alimentation

Ne portez jamais le chargeur par le câble et ne tirez pas sur celui-ci pour le débrancher de la prise. Maintenez le cordon à l'écart de la chaleur, de l'huile et de rebords saillants.

14. Rangez vos outils dans un endroit sûr

Rangez les outils, batteries et chargeurs non utilisés dans un endroit sec, élevé et fermé, hors de portée des enfants.

15. Entretenez vos outils avec soin

Pour obtenir les meilleures performances et travailler dans des conditions de sécurité optimales veillez à ce que vos outils restent propres et affûtés. Suivez les instructions d'entretien et de changement d'accessoires.

Maintenez les poignées et les interrupteurs secs, propres et exempts d'huile et de graisse.

16. Réparations

Cet outil est conforme aux conditions de sécurité requises. Les réparations doivent uniquement être effectuées par des personnes qualifiées utilisant des pièces de rechange d'origine ; en cas contraire, cela pourrait être très dangereux pour l'utilisateur.

Instructions de sécurité supplémentaires pour les batteries et chargeurs

Batteries

- ◆ Ne tentez jamais de l'ouvrir pour quelque raison que ce soit.
- ◆ Ne mettez pas la batterie en contact avec de l'eau.
- ◆ Ne pas ranger dans des endroits où la température peut être supérieure à 40 °C.
- ◆ Chargez uniquement à température ambiante, entre 4 °C et 40 °C.
- ◆ Chargez uniquement en utilisant le chargeur fourni avec l'outil.
- ◆ Lorsque vous jetez des batteries, suivez les instructions données à la section "Protection de l'environnement".
- ◆ Dans des conditions extrêmes, la batterie peut fuir. Si vous remarquez que la batterie a coulé, procédez comme suit :
 - Nettoyez soigneusement le liquide à l'aide d'un chiffon. Évitez le contact avec la peau.
 - En cas de contact avec la peau ou les yeux, suivez les instructions ci-dessous.

Attention ! Le liquide de la batterie, une solution d'hydroxyde de potassium à 25-30%, est toxique. En cas de contact avec la peau, rincer abondamment à l'eau. Neutraliser avec un acide doux tel que du citron ou du vinaigre. En cas de contact avec les yeux, rincer abondamment à l'eau au moins pendant 10 minutes. Consulter un médecin.

- ◆ N'incinerez pas la batterie.
- ◆ Ne pas charger une batterie endommagée.

Chargeurs

- ◆ Utilisez uniquement votre chargeur Black & Decker pour charger les batteries fournies avec votre outil ou de même type et modèle. D'autres batteries pourraient exploser et causer des dommages ou blessures.
- ◆ Ne tentez jamais de charger des batteries non-rechargeables.
- ◆ Remplacez immédiatement les fils électriques défectueux.
- ◆ Ne mettez pas le chargeur en contact avec de l'eau.
- ◆ N'ouvrez pas le chargeur.
- ◆ Ne testez pas le chargeur.



Le chargeur a été conçu pour être utilisé uniquement à l'intérieur.

Sécurité électrique



Votre chargeur est doublement isolé ; par conséquent, aucun câble de masse n'est nécessaire. Vérifiez toujours que la tension du secteur correspond à la tension indiquée sur la plaque d'identification. Ne tentez jamais de remplacer le chargeur par une prise au secteur normale.

Instructions de sécurité supplémentaires pour les coupe bordures

Les symboles de prévention suivant se trouvent sur l'outil :



Portez des lunettes de sécurité lorsque vous utilisez cet outil.



Attention ! Le fil de coupe continuera de fonctionner pendant quelques secondes après l'arrêt de l'outil. Ne tentez jamais de forcer sur le fil pour qu'il s'arrête.



Les personnes et les animaux doivent se tenir à une distance d'au moins 6 m de la zone de coupe.



N'exposez pas l'outil à la pluie ou à l'humidité.

- ◆ Ne laissez jamais aucun enfant ou aucune personne non familiarisée avec ces instructions utiliser cet outil.
- ◆ Portez des chaussures ou des bottes renforcées pour vous protéger les pieds.
- ◆ Portez un pantalon long pour vous protéger les jambes.
- ◆ Avant d'utiliser l'outil et après tout choc, vérifiez qu'il n'est pas endommagé ou usé, et réparez-le au besoin.
- ◆ Avant d'utiliser l'outil, vérifiez qu'aucun bâton, fil de fer, pierre ou tout autre obstacle n'obstrue la zone de coupe.
- ◆ Utilisez seulement l'outil en position droite, en tenant le fil de coupe près du sol. N'allumez jamais l'outil dans une autre position.
- ◆ Déplacez-vous lentement lorsque vous utilisez l'outil. Faites attention car l'herbe fraîchement coupée est humide et glissante.
- ◆ Ne travaillez pas sur un sol très pentu. Travaillez de façon perpendiculaire aux pentes et non en montant ou en descendant.
- ◆ Ne traversez jamais de chemins ou de routes en gravier lorsque l'outil fonctionne.
- ◆ Tenez vos mains et vos pieds à distance du fil de coupe à tout moment, et plus particulièrement lorsque vous faites démarrer le moteur.

- ◆ Prenez garde à ne pas vous blesser avec la lame de coupe du fil. Après avoir tiré sur le fil de coupe, remplacez toujours l'outil sur sa position normale avant de l'allumer.
- ◆ Ne posez pas l'outil avant que le fil de coupe ne se soit complètement arrêté.
- ◆ Vérifiez toujours que les orifices de ventilation sont bien débarrassés de tous débris.
- ◆ Utilisez uniquement le bon type de fil de coupe. N'utilisez jamais de fil de coupe en métal ou de fil de pêche.
- ◆ Veillez à ne pas toucher la lame coupe-fil.
- ◆ N'installez jamais de pièces de coupe en métal.
- ◆ Utilisez exclusivement des pièces de rechange et des accessoires de Black & Decker.



Indique qu'en cas de non-respect des instructions du présent manuel, il y a risque de blessure, danger de mort ou risque de dégradation de l'outil.



Lisez le manuel avant l'emploi.

Généralités

1. Interrupteur marche/arrêt
2. Bouton de blocage
3. Poignée principale
4. Poignée secondaire
5. Vis de réglage de la poignée
6. Collier de réglage de la poignée.
7. Collier de sélection de mode.
8. Boîtier moteur
9. Carter
10. Lame coupe-fil
11. Sabot de guidage
12. Boîtier de la bobine
13. Fil de coupe
14. Batterie
15. Chargeur
16. Voyant de charge
17. Voyant de fin de charge

Fig. A

15. Chargeur
16. Voyant de charge
17. Voyant de fin de charge

Montage

Attention ! Avant l'assemblage, enlevez la batterie.

Mise en place et retrait de la batterie (fig. B)

- ◆ Pour mettre la batterie en place (14), alignez-la avec le boîtier sur l'outil. Faites glisser la batterie dans le boîtier et poussez jusqu'à ce qu'elle se mette en place avec un bruit sec.
- ◆ Pour retirer la batterie, appuyez sur le bouton de déverrouillage (18) tout en retirant la batterie du boîtier.

Mise en place du carter protecteur (fig. C)

Attention ! Ne faites jamais fonctionner l'outil s'il contient des carters ou des protections endommagés ou si les carters ou les protections ne sont pas en place.

- ◆ Placez le carter protecteur (9) sur l'outil comme indiqué, en alignant les trous (19) dans le carter avec les œillets (20) sur l'outil.
- ◆ Appuyez sur le carter jusqu'à ce qu'il se mette en place avec un bruit sec (A).
- ◆ Poussez le carter protecteur vers l'avant (B).
- ◆ Serrez bien les vis (21).

Attention ! N'utilisez jamais l'outil si le carter protecteur n'est pas correctement installé.

Mise en place d'une nouvelle bobine de fil de coupe (fig. D)

Des bobines de fil de coupe de rechange sont disponibles chez votre revendeur Black & Decker (cat. no. A6481).

- ◆ Maintenez les languettes (22) du couvercle de la bobine (23) enfoncées et retirez le couvercle de la bobine de la protection (12).
- ◆ Retirez la bobine vide (24) du support.
- ◆ Enlevez toute trace de saleté ou d'herbe dans le support.
- ◆ Prenez la nouvelle bobine et déroulez env. 12 cm de fil de coupe.
- ◆ Faites entrer le fil de coupe dans l'œillet (25).
- ◆ Poussez la bobine sur l'axe (26) et faites-la tourner légèrement jusqu'à ce qu'elle soit bien installée. Assurez-vous que le fil de coupe n'est pas coincé sous la bobine et que 10-12 cm de fil de coupe dépassent de la protection.
- ◆ Alignez les languettes sur le couvercle de la bobine avec les trous dans la protection.
- ◆ Enfoncez le couvercle sur le support jusqu'à ce qu'il se mette en place avec un clic sec.

Attention ! Si le fil de coupe dépasse de la lame de coupe (11), coupez-le afin qu'il atteigne juste la lame.

Enroulage d'un nouveau fil sur une bobine vide (fig. E-G)

Vous pouvez enrouler un nouveau fil de coupe sur une bobine vide. Des paquets de fil de coupe de rechange sont disponibles auprès de votre distributeur Black & Decker (cat. no. A6170 (25 m), A6171 (40 m)).

- ◆ Retirez la bobine vide de l'outil comme expliqué ci-dessus.
- ◆ Retirez tout fil de coupe ancien de l'outil (27) (fig. E).
- ◆ Faites entrer 2 cm de fil de coupe dans l'un des trous (28) de la bobine comme indiqué. (fig. F).
- ◆ Pliez le fil de coupe et coincez-le dans la fente en forme de L (29).

- ◆ Enroulez le fil de coupe sur la bobine dans le sens de la flèche. Veillez à enrouler le fil proprement et en couches successives. Ne l'entrecroisez pas (fig. - G)
- ◆ Lorsque le fil de coupe enroulé est encastré (30), coupez-le. Laissez le fil sortir d'env. 12 cm de la bobine et mettez un doigt sur le fil pour le maintenir en place (fig. E).
- ◆ Procédez comme expliqué ci-dessus pour installer la bobine dans l'outil.

Attention ! Utilisez uniquement le bon type de fil de coupe de Black & Decker.

Utilisation

Attention ! Laissez l'outil fonctionner à sa propre vitesse. Ne le surchargez pas.

Chargement de la batterie (fig. A)

La batterie a besoin d'être chargée avant la première utilisation et à chaque fois qu'elle ne produit pas une puissance suffisante pour des travaux facilement effectués auparavant. Lorsque vous chargez la batterie pour la première fois ou suite à une inutilisation prolongée, le chargement ne se fera qu'à 80%. Après plusieurs cycles de chargement et de déchargement, la batterie atteindra sa capacité totale. La batterie peut chauffer pendant le chargement ; cela est normal et n'indique pas de problème particulier.

Attention ! Ne chargez pas la batterie à une température ambiante inférieure à 4 °C ou supérieure à 40 °C.
Température de chargement recommandée : environ 24 °C.

- ◆ Pour charger la batterie (14), retirez-la de l'outil et insérez-la dans le chargeur (15). La batterie ne rentrera dans le chargeur que d'une seule façon. Ne forcez pas. Assurez-vous que la batterie est complètement enclenchée dans le chargeur.
- ◆ Branchez le chargeur.

Chargement de 3 heures

La batterie sera complètement chargée en 3 heures environ. Elle peut être enlevée à tout moment ou rester dans le chargeur connectée indéfiniment.

Chargeur d'une heure

- ◆ Vérifiez si le voyant rouge de charge (16) s'allume. Si le voyant vert indicateur de fin de charge (17) s'allume maintenant à sa place, la batterie est trop chaude et ne peut être chargée. Si c'était le cas, enlevez la batterie du chargeur, laissez-la refroidir pendant 1 heure environ et réinsérez-la.

Après environ 1 heure de charge, le voyant rouge de charge s'éteindra et le voyant vert indicateur de fin de charge s'allumera. La batterie est maintenant complètement chargée.

- ◆ Enlevez-la du chargeur.

Réglage de la position de la poignée secondaire (fig. H).

La poignée secondaire (4) peut être réglée afin d'apporter un confort et un équilibre optimal.

- ◆ Laissez reposer le carter protecteur (9) au sol.
- ◆ Déserrez le bouton de la poignée (5).
- ◆ Faites tourner la poignée dans la position souhaitée.
- ◆ Serrez bien le bouton de la poignée.

Réglage de la hauteur (fig. I)

L'axe télescopique (31) vous permet de régler l'outil à la hauteur la plus confortable.

- ◆ Dévissez le collier (6).
- ◆ Pour augmenter la hauteur faites-le glisser hors de l'axe.
- ◆ Pour réduire la hauteur faites-le rentrer dans l'axe.
- ◆ Serrez le collier.

Démarrage et arrêt (fig. J)

Pour des raisons de sécurité, cet outil est équipé d'un système d'interrupteur double. Ce système empêche un démarrage involontaire de l'outil.

Démarrage

- ◆ Tirez sur le bouton de blocage (2) avec le pouce et appuyez en même temps sur l'interrupteur de mise en marche (1).
- ◆ Relâchez le bouton de blocage.

Arrêt

- ◆ Relâchez l'interrupteur de mise en marche (1).

Attention ! N'essayez jamais de bloquer l'interrupteur en position de marche.

Réglage de l'outil en mode de taille ou de coupe (fig. K - M)

L'outil peut être utilisé en mode de taille comme indiqué à la fig. K ou en en mode de coupe pour tailler de l'herbe en surplomb dans les coins de pelouse et les parterres de fleurs comme indiqué à la fig. L.

Mode de taille (fig. K & M)

Pour tailler, la tête du coupe bordures devra être dans la position indiquée à la fig. K. Si ce n'est pas le cas :

- ◆ Tout en tenant la poignée secondaire d'une main, prenez la bague (7) dans l'autre comme indiqué (fig. K).

- ◆ Poussez la bague en direction de la tête du coupe bordures et faites-le tourner dans le sens contraire des aiguilles d'une montre jusqu'à ce que la tête se trouve en position de taille (fig. M).
- ◆ Relâchez la bague.
- ◆ Mettez le sabot de guidage (11) vers l'arrière.

Mode de coupe (fig. L & M)

Pour couper, la tête du coupe bordures devra être dans la position indiquée à la fig. L. Si ce n'est pas le cas :

- ◆ Tout en tenant la poignée secondaire d'une main, prenez la bague (7) dans l'autre comme indiqué (fig. L).
- ◆ Poussez la bague en direction de la tête du coupe bordures et faites-le tourner dans le sens des aiguilles d'une montre jusqu'à ce que la tête se trouve en position de coupe (fig. M).
- ◆ Relâchez la bague.
- ◆ Mettez le sabot de guidage (11) vers l'arrière.

Conseils pour une utilisation optimale

Taille

- ◆ Tenez l'outil comme indiqué sur la fig. K.
- ◆ Déplacez lentement le coupe bordures d'un côté à l'autre comme indiqué sur la fig. K.
- ◆ Lorsque vous coupez des hautes herbes, travaillez par étapes en commençant par le haut.
- ◆ Veillez à ne pas approcher l'outil des objets durs et des plantes délicates.
- ◆ Si l'outil commence à fonctionner lentement, réduisez la charge.

Coupe

Pour des résultats de coupe optimaux, les bordures doivent être supérieures à 50 mm.

- ◆ N'utilisez pas l'outil pour créer des bordures. Pour cette opération, utilisez des cisailles à gazon.
- ◆ Guidez l'outil comme indiqué à la fig. L. Maintenez le sabot de guidage contre le bord de la pelouse.
- ◆ Pour une coupe plus nette, inclinez légèrement l'outil.

Général

- ◆ Pour des résultats de coupe optimaux, ne coupez que de l'herbe sèche.
- ◆ Si possible, conservez la batterie connectée au chargeur et le chargeur branché à chaque fois que l'outil ne fonctionne pas.

Maintenance

Votre outil Black & Decker a été conçu pour fonctionner pendant longtemps avec un minimum d'entretien. Un fonctionnement continu satisfaisant dépend d'un nettoyage régulier et d'un entretien approprié de l'outil.

Votre chargeur ne nécessite aucun entretien autre qu'un nettoyage régulier.

Attention ! Avant de procéder à tout entretien de l'outil, retirez la batterie. Débranchez le chargeur avant de le nettoyer.

- ◆ Après avoir utilisé l'outil, débranchez la batterie et vérifiez soigneusement qu'il n'est pas endommagé.
- ◆ Nettoyez régulièrement les orifices de ventilation de votre outil et le chargeur à l'aide d'une brosse douce ou d'un chiffon sec.
- ◆ Nettoyez régulièrement le carter du moteur à l'aide d'un chiffon humide. N'utilisez pas de produit abrasif ou à base de solvant.
- ◆ Nettoyez régulièrement le fil de coupe et la bobine à l'aide d'une brosse douce ou d'un chiffon sec.
- ◆ Utilisez régulièrement un grattoir pour enlever toutes les saletés et l'herbe accumulées sous le carter protecteur.

Stockage

Si l'outil ne doit pas être utilisé pendant plusieurs mois, l'idéal serait de laisser la batterie connectée au chargeur.

Sinon, procédez comme suit :

- ◆ Chargez complètement la batterie.
- ◆ Retirez la batterie de l'outil.
- ◆ Conservez l'outil et la batterie dans un endroit sûr et sec. La température de stockage doit toujours être entre +5 °C et +40 °C. Placez la batterie sur une surface nivelée.
- ◆ Avant d'utiliser l'outil après une inutilisation prolongée, rechargez complètement la batterie.

Depannage

Si votre outil ne semble pas fonctionner correctement, suivez les instructions ci-dessous. Si elles ne vous permettent pas de résoudre le problème, contactez votre service de réparation local Black & Decker.

Attention ! Avant de procéder à toutes réparations, enlevez la batterie de l'outil.

Si l'outil fonctionne lentement

- ◆ Vérifiez que le support de la bobine tourne correctement et librement. Nettoyez-la soigneusement si cela est nécessaire.
- ◆ Vérifiez que le fil de coupe ne dépasse pas de plus de 10-12 cm du support de la bobine. Si c'est le cas, coupez-le pour qu'il atteigne juste la lame coupe-fil.

L'alimentation du fil automatique ne fonctionne pas

- ◆ Maintenez les languettes enfoncées et retirez le couvercle du boîtier.
- ◆ Levez la bobine d'env. 6 mm et tirez sur le fil de coupe jusqu'à ce qu'il sorte de 10-12 cm du support. S'il reste peu de fil de coupe sur la bobine, installez une nouvelle bobine de fil de coupe comme expliqué ci-dessus.
- ◆ Poussez sur la bobine pour la remettre en place et faites-la tourner légèrement jusqu'à ce qu'elle soit en place.
- ◆ Alignez les languettes sur le couvercle de la bobine avec les trous dans la protection.
- ◆ Enfoncez le couvercle sur le support jusqu'à ce qu'il se mette en place avec un clic sec.
- ◆ Si le fil de coupe dépasse la lame coupe fil, coupez-le afin qu'il atteigne juste la lame.

Si l'alimentation de ligne automatique ne fonctionne toujours pas, essayez les suggestions suivantes :

- ◆ Nettoyez soigneusement le boîtier de la bobine.
- ◆ Retirez la bobine et vérifiez que la gâchette bouge librement.
- ◆ Retirez la bobine et déroulez le fil de coupe, puis enroulez-le à nouveau proprement comme expliqué ci-dessus. Remettez la bobine en place comme expliqué.

La bobine est coincée

- ◆ Maintenez les languettes enfoncées et retirez le couvercle du boîtier.
- ◆ Nettoyez soigneusement le boîtier de la bobine.
- ◆ Enfoncez le couvercle sur le support jusqu'à ce qu'il se mette en place avec un clic sec.

Protection de l'environnement



Collecte séparée. Ce produit ne doit pas être jeté avec les déchets domestiques normaux.

Si vous décidez de remplacer ce produit Black & Decker, ou si vous n'en avez plus l'utilité, ne le jetez pas avec vos déchets domestiques. Rendez-le disponible pour une collecte séparée.



La collecte séparée des produits et emballages usés permet le recyclage des articles afin de les utiliser à nouveau. Le fait d'utiliser à nouveau des produits recyclés permet d'éviter la pollution environnementale et de réduire la demande de matières premières.

Les réglementations locales peuvent permettre la collecte séparée des produits électriques du foyer, dans des déchetteries municipales ou auprès du revendeur vous ayant vendu votre nouveau produit.

Black & Decker fournit un dispositif permettant de collecter et de recycler les produits Black & Decker lorsqu'ils ont atteint la fin de leur cycle de vie. Pour pouvoir profiter de ce service, veuillez retourner votre produit à un réparateur agréé qui se chargera de le collecter pour nous.

Pour connaître l'adresse du réparateur agréé le plus proche de chez vous, contactez le bureau Black & Decker à l'adresse indiquée dans ce manuel. Vous pouvez aussi trouver une liste des réparateurs agréés de Black & Decker et de plus amples détails sur notre service après-vente sur le site Internet à l'adresse suivante : **www.2helpU.com**

Packs-batteries



Les batteries Black & Decker peuvent être rechargées de nombreuses fois. A la fin de leur durée de vie technique, jetez les batteries en respectant l'environnement :

- ◆ Videz complètement la batterie, puis retirez-la de l'outil.
- ◆ Les batteries NiCd et NiMH sont recyclables. Apportez-les à votre réparateur agréé ou à un centre de recyclage local.

Caractéristiques techniques

		GLC2500	GLC3000
Voltage	V_{DC}	18	24
Vitesse à vide	min^{-1}	6.800	6.800
Poids	kg	1,8	1,8

Batterie

Voltage	V_{DC}	18	24
Ampérage	Ah	1,5	1,2
Poids	kg	0,8	1

Chargeur

Tension	V_{AC}	230	230
Temps de chargement approx.	h	3	3

Déclaration de conformité CE

GLC2500/GLC2500NM/GLC3000

Black & Decker déclare que ces produits sont conformes à :

98/37/CEE, 89/336/CEE, 73/23/CEE, EN 55014,

EN 60335, EN 61000, 2000/14/CEE, EN 786, EN 28662,

EN ISO 3744, EN ISO 11201

Tondeuse à gazon, L = 25 cm, Annexe VI, No. 499

SNCH, L-5230 Sandweiler, Luxembourg

Niveau de pression acoustique, mesuré suivant la norme

EN ISO 3744 :

 L_{pA} (pression sonore) 81 dB(A) L_{WA} (puissance acoustique) 92 dB(A) L_{WA} (garanti) 96 dB(A)Niveau de vibration main/bras selon la norme EN 786 : < 2,5 m/s²

Kevin Hewitt

Directeur Ingénierie Client

Spennymoor, County Durham DL16 6JG,

Royaume Uni

1-11-2004

Pour avoir recours à la garantie, il est nécessaire de fournir une preuve d'achat au vendeur ou à un réparateur agréé.

Pour connaître l'adresse du réparateur agréé le plus proche de chez vous, contactez le bureau Black & Decker à l'adresse indiquée dans ce manuel. Vous pourrez aussi trouver une liste des réparateurs agréés de Black & Decker et de plus amples détails sur notre service après-vente sur le site Internet à l'adresse suivante : **www.2helpU.com**

Visitez notre site Web **www.blackanddecker.com** pour enregistrer votre nouveau produit Black & Decker et être informé des nouveaux produits et des offres spéciales.

Pour plus d'informations concernant la marque Black & Decker et notre gamme de produits, consultez notre site

www.blackanddecker.com

Garantie

Black & Decker est confiant dans la qualité de ses produits et vous offre une garantie très étendue. Ce certificat de garantie est un document supplémentaire et ne peut en aucun cas se substituer à vos droits légaux. La garantie est valable sur tout le territoire des Etats Membres de l'Union Européenne et de la Zone de Libre Echange Européenne.

Si un produit Black & Decker s'avère défectueux en raison de matériaux en mauvaises conditions, d'une erreur humaine, ou d'un manque de conformité dans les 24 mois suivant la date d'achat, Black & Decker garantit le remplacement des pièces défectueuses, la réparation des produits usés ou cassés ou remplace ces produits à la convenance du client, sauf dans les circonstances suivantes :

- ◆ Le produit a été utilisé dans un but commercial, professionnel, ou a été loué.
- ◆ Le produit a été mal utilisé ou avec négligence.
- ◆ Le produit a subi des dommages à cause d'objets étrangers, de substances ou à cause d'accidents.
- ◆ Des réparations ont été tentées par des techniciens ne faisant pas partie du service technique de Black & Decker.

Uso previsto

Il tosaerba Black & Decker è stato progettato per tosare e rifinire i cigli dei prati e per tagliare l'erba in spazi ristretti. L'utensile è stato progettato per un uso individuale. La caricabatteria Black & Decker è stato progettato per caricare la batteria dell'utensile con il quale viene fornito in corredo.

Conoscere l'utensile



- ◆ **Attenzione!** Quando si adoperano utensili a batteria, per ridurre il rischio di incendi, fuoriuscita di liquido dalle batterie, danni personali e materiali, è necessario osservare alcune precauzioni di sicurezza fondamentali, incluso le seguenti.
- ◆ Per la sicurezza dell'operatore e degli astanti, leggere attentamente questo manuale prima di mettere in funzione l'utensile.
- ◆ Familiarizzarsi con i comandi e l'uso corretto dell'utensile.
- ◆ Prima di utilizzare l'utensile, apprendere le procedure di spegnimento in caso di emergenza.
- ◆ Conservare questo manuale di istruzioni per successive consultazioni.

Informazioni generali

1. Tenere presenti le caratteristiche dell'ambiente di lavoro

Non lasciare l'utensile sotto la pioggia e non usarlo in ambienti carichi di umidità. Adoperarlo solo alla luce naturale oppure con una buona illuminazione artificiale. Non usare l'utensile quando vi sia rischio di provocare un incendio o un'esplosione, per es. in luoghi con atmosfera gassosa o infiammabile. Mantenere l'area di lavoro libera da ostacoli e pulita.

2. Tenere i bambini lontani dall'area di lavoro

Non permettere ai bambini, ad altre persone o ad animali di avvicinarsi alla zona di lavoro o di toccare l'utensile.

3. Usare il vestiario appropriato

Evitare l'uso di abiti svolazzanti, gioielli, ecc. che potrebbero rimanere impigliati nelle parti mobili dell'utensile. Quando si lavora all'aperto, indossare guanti di gomma e scarpe con suole antiscivolo. Raccogliere i capelli se si portano lunghi.

4. Protezione personale

Indossare occhiali di sicurezza. Fare uso di una mascherina antipolvere ogni volta che l'impiego dell'utensile può produrre polvere o schegge. Indossare otoprotezioni se il livello acustico diventa fastidioso.

5. Non sbilanciarsi

Mantenere sempre un buon equilibrio evitando posizioni malsicure.

6. Stare sempre attenti

Prestare attenzione a quanto si sta facendo e fare uso di buon senso. Non utilizzare l'utensile quando si è stanchi.

7. Bloccare il pezzo da lavorare

Usare pinze o morse per bloccare il pezzo da lavorare. Ciò aumenta la sicurezza e consente di mantenere entrambe le mani libere per operare meglio.

8. Non lasciare chiavi e attrezzi sull'utensile.

Verificare sempre di avere rimosso chiavi e/o altri attrezzi prima di mettere in funzione l'utensile.

9. Adoperare l'utensile adatto alla situazione

L'utilizzo previsto è quello indicato nel presente manuale. Non forzare utensili e accessori di potenza limitata impiegandoli per lavori destinati ad utensili di maggiore potenza. Non forzare l'utensile.

Attenzione! L'uso di accessori o attrezzature diversi o l'impiego del presente utensile per scopi diversi da quelli indicati nel presente manuale d'uso comportano il rischio di infortuni.

10. Controllare che non vi siano parti danneggiate

Prima dell'uso, controllare che l'utensile non abbia subito danni. Controllare se ci sono parti non allineate, se i componenti mobili sono integri, se ci sono componenti rotti, danni alle protezioni o agli interruttori e qualsiasi altra condizione che possa alterare il funzionamento dell'attrezzo. Accertare che l'utensile funzioni come previsto e che venga impiegato per la destinazione originaria. Non usare l'utensile se degli elementi sono danneggiati o difettosi. Non impiegare l'utensile se non è possibile accenderlo e spegnerlo mediante l'interruttore. Eventuali elementi difettosi o danneggiati devono essere sostituiti o riparati da un tecnico autorizzato. Non tentare mai di effettuare delle riparazioni.

11. Estrarre la batteria

Se la batteria è di tipo estraibile, rimuoverla quando l'utensile non è in uso, prima di cambiare dei pezzi o degli accessori o prima di eseguire degli interventi di manutenzione.

12. Evitate le accensioni involontarie

Non trasportare l'utensile con il dito sull'interruttore. Controllare che sia spento quando s'inserisce la batteria.

13. Non sottoporre il cavo di collegamento elettrico a sollecitazioni eccessive

Non trasportare, tirare, o estrarre dalla presa la caricabatteria afferrandolo per il cavo. Mantenere il cavo lontano da fonti di calore, olio e spigoli taglienti.

14. Conservazione dell'utensile dopo l'uso

Quando non è in uso, l'utensile, le batterie e i caricabatteria devono essere riposti in un luogo asciutto e fuori dalla portata dei bambini.

15. L'utensile deve essere sottoposto agli interventi di manutenzione del caso

Mantenere gli utensili da taglio affilati e puliti in modo da ottenere una resa migliore e più sicura. Seguire le istruzioni per la manutenzione e il cambio degli accessori. Mantenere le impugnature e gli interruttori asciutti, puliti e senza tracce di olio o grassi.

16. Riparazioni

Questo utensile è conforme ai requisiti di sicurezza pertinenti. Le riparazioni devono essere eseguite soltanto da personale qualificato e con pezzi di ricambio originali, per evitare di esporre gli utenti a considerevoli rischi.

Istruzioni supplementari sulla sicurezza per batterie e caricatori

Batterie

- ◆ Non tentare mai di aprirle, per nessuna ragione.
- ◆ Non esporre la batteria all'acqua.
- ◆ Non conservarle in ambienti in cui la temperatura può superare i 40 °C.
- ◆ Caricarle solo a temperatura ambiente compresa tra i 4 °C e i 40 °C.
- ◆ Caricare la batteria solo usando il caricabatteria in corredo con l'attrezzo.
- ◆ Prima di smaltire le batterie, consultare le istruzioni riportate nella sezione "Protezione dell'ambiente".
- ◆ In condizioni estreme, la batteria può perdere liquido. Se si rileva la presenza di liquido sulla batteria, procedere come segue:
 - Asciugare con cura il liquido usando un panno. Evitare il contatto con l'epidermide.
 - In caso di contatto con l'epidermide o gli occhi, osservare le seguenti istruzioni.

Attenzione! Il liquido delle batterie, una soluzione al 25-30% di idrossido di potassio, può essere nocivo. In caso di contatto con l'epidermide, sciacquare immediatamente con acqua. Intervenire con una sostanza leggermente acida, come succo di limone o aceto. In caso di contatto con gli occhi, sciacquare con abbondante acqua pulita per almeno 10 minuti. Consultare un medico.

- ◆ Non bruciare la batteria.
- ◆ Non tentare di caricare batterie danneggiate.

Caricabatterie

- ◆ Usate il vostro caricabatteria Black & Decker per caricare le batterie fornite con il vostro utensile. Batterie di altro tipo possono esplodere, provocando danni a persone e cose.
- ◆ Non tentare mai di ricaricare una batteria non ricaricabile.
- ◆ Sostituire immediatamente i cavi difettosi.
- ◆ Non esporre il caricabatteria all'acqua.
- ◆ Non aprire il caricabatteria.
- ◆ Non testare il caricabatteria.



Il caricabatteria è destinato ad essere usato esclusivamente in ambienti chiusi.

Sicurezza elettrica



Il caricatore è fornito di doppio isolamento, per la quale non è richiesta la messa a terra. Controllare che la tensione di alimentazione corrisponda a quella indicata sulla targhetta con i dati caratteristici. Non cercate di rimpiazzare il carica batteria inserendo l'utensile in una presa di corrente.

Istruzioni supplementari di sicurezza per il tosaerba

I seguenti simboli di avvertenza si trovano sull'utensile:



Indossate sempre occhiali di protezione quando fate funzionare questo utensile.



Attenzione! Il filo di taglio continuerà a girare per alcuni secondi dopo che l'utensile è stato spento. Non cercare mai di fermare filo con la forza.



Non consentire a persone o animali di avvicinarsi a meno di 6 m dall'area di taglio.



Non esporre l'utensile a pioggia o a condizioni di alta umidità.

- ◆ Vietare l'uso dell'utensile ai bambini e agli adulti che non abbiano letto il presente manuale d'istruzioni.
- ◆ Indossare scarpe robuste o scarponi per proteggere i piedi.
- ◆ Indossare pantaloni a gamba lunga per proteggere le gambe.
- ◆ Prima di usare l'utensile e/o se questo ha subito urti, controllare se ci sono segni di usura o danni e riparare come necessario.
- ◆ Prima di usare l'utensile, verificare che il percorso da tosare sia sgombro da asticelle, pietre, cavi e qualsiasi altro ostacolo.
- ◆ Usate l'utensile soltanto in posizione verticale, con il filo di taglio vicino al suolo. Non avviare mai l'utensile in nessun'altra posizione.
- ◆ Procedere lentamente quando si adopera l'utensile. Ricordare sempre che l'erba appena tagliata è umida e scivolosa.
- ◆ Non lavorare su pendenze ripide. Quando si lavora in pendio, spostare l'utensile da lato a lato, mai da dall'alto in basso.
- ◆ Non attraversare mai percorsi di ghiaia o asfaltati con l'utensile in funzione.
- ◆ Tenere sempre mani e piedi lontani dal filo di taglio, soprattutto quando si accende il motore.
- ◆ Fare attenzione a evitare lesioni provocate dalla lama di tosatura. Dopo avere esteso il nuovo filo di taglio, riportare sempre l'utensile nella posizione operativa normale prima di accenderlo.

- ◆ Non poggiare l'utensile a terra fino a che il filo di taglio non si è arrestato del tutto.
- ◆ Controllare sempre che le prese di ventilazione siano sgombre da detriti.
- ◆ Impiegare unicamente il filo di taglio adeguato. Non utilizzare fili di taglio metallici o fili da pesca.
- ◆ Fate attenzione a non toccare la lama del filo tosatore.
- ◆ Non montare mai elementi di taglio in metallo.
- ◆ Usare esclusivamente pezzi di ricambio e accessori Black & Decker.



Indica il rischio di infortuni, di morte o di danni al prodotto in caso di mancato rispetto delle istruzioni contenute in questo manuale.



Prima dell'uso leggere il presente manuale.

Informazioni generali

1. Interruttore acceso/spento
2. Pulsante di sblocco
3. Impugnatura principale
4. Impugnatura secondaria
5. Pomo dell'impugnatura
6. Collare di regolazione dell'impugnatura
7. Collare di regolazione della modalità
8. Alloggiamento del motore
9. Protezione
10. Lama del filo tosatore
11. Guida per bordo
12. Alloggiamento bobina
13. Filo di taglio
14. Batteria

Fig. A

15. Caricabatteria
16. Indicatore di carica
17. Indicatore fine carica

Montaggio

Attenzione! Prima di montaggio, rimuovere la batteria.

Inserimento ed estrazione della batteria (fig. B)

- ◆ Per alloggiare la batteria (14), allinearla alla base dell'utensile. Fare scivolare la batteria nella base fino a che non s'inserisce con uno scatto.
- ◆ Per estrarre la batteria, premere il pulsante di sblocco (18) e, contemporaneamente, estrarla dalla base.

Montaggio della protezione (fig. C)

Attenzione! Non adoperare mai l'utensile se gli schermi o le protezioni sono danneggiati o non installati.

- ◆ Collocare la protezione (9) sull'utensile come illustrato, allineando i fori (19) con le linguette (20) dell'utensile.
- ◆ Premere la protezione fino a che si fissa in posizione (A).
- ◆ Spingere la protezione in avanti (B).
- ◆ Serrare saldamente le viti (21).

Attenzione! Non usare mai l'utensile se la protezione non è installata correttamente.

Installazione di una nuova bobina di filo di taglio (fig. D)

Le bobine di filo di taglio di ricambio sono disponibili presso il concessionario Black & Decker (cat. n. A6481).

- ◆ Mantenere premute le linguette (22) sul coperchio della bobina (23) e togliere il coperchio della bobina dall'alloggiamento (12).
- ◆ Estrarre la bobina vuota (24) dall'alloggiamento.
- ◆ Eliminare dall'alloggiamento eventuali tracce di sporcizia e erba.
- ◆ Svolgere circa 12 cm di filo di taglio dalla nuova bobina.
- ◆ Fare passare il filo di taglio attraverso l'occhiello (25).
- ◆ Spingere la bobina nell'albero (26) e ruotarla di poco finché non si assesta. Assicurarsi che il filo di taglio non si sia intrappolato sotto la bobina e che dall'alloggiamento ne fuoriescano 10-12 cm.
- ◆ Allineare le linguette sul coperchio della bobina con i fori dell'alloggiamento.
- ◆ Spingere il coperchio sull'alloggiamento fino a bloccarlo in posizione con uno scatto.

Attenzione! Se il filo di taglio fuoriesce al di là della lama di tosatura (11), tagliarlo in modo che raggiunga solo la lama.

Avvolgimento di filo nuovo su una bobina vuota (fig. E - G)

È possibile avvolgere del filo di taglio nuovo su una bobina vuota. Il filo di taglio di ricambio è disponibile presso il concessionario Black & Decker (n. parte A6170 (25 m), A6171 (40 m)).

- ◆ Rimuovere la bobina vuota dall'utensile, come descritto in precedenza.
- ◆ Togliere dalla bobina eventuali residui del vecchio filo di taglio (27) (fig. E).
- ◆ Infilarne 2 cm di filo di taglio in uno dei fori (28) della bobina, come illustrato (fig. F).
- ◆ Piegare il filo di taglio e fissarlo nella fessura a L (29).
- ◆ Avvolgere il filo di taglio sulla bobina, nella direzione della freccia. Assicurarsi che il filo si avvolga ordinatamente e a strati successivi, senza seguire percorsi trasversali (fig. G).
- ◆ Quando il filo di taglio che si sta avvolgendo raggiunge le tacche (30), tagliarlo. Lasciare fuoriuscire circa 12 cm di filo di taglio e premerlo con un dito per mantenerlo fermo (fig. E).

- ◆ Per inserire la bobina nell'attrezzo, procedere come descritto sopra.

Attenzione! Usare esclusivamente il filo adeguato della Black & Decker.

Uso

Attenzione! Lasciare che l'utensile lavori al suo ritmo, senza sovraccaricarlo.

Caricamento della batteria (fig. A)

È necessario caricare la batteria prima del primo utilizzo e ogniqualvolta che non eroghi la sufficiente energia per eseguire un lavoro che prima veniva eseguito con facilità. Quando si carica la batteria per la prima volta, o dopo un lungo periodo d'inattività, accetterà soltanto l'80% della sua capacità. Dopo diversi cicli di carica e scarica la batteria raggiunge la sua piena capacità. La batteria si può riscaldare durante il processo di carica; è normale e non è indicativo di nessun problema.

Attenzione! Non caricare la batteria ad una temperatura ambiente inferiore ai 4 °C o superiore ai 40 °C. La temperatura di carica consigliata è di circa 24 °C.

- ◆ Per caricare la batteria (14), rimuoverla dall'utensile ed inserirla nel caricatore (15). La batteria s'inserisce in un solo verso nel caricabatteria. Assicuratevi che la batteria sia perfettamente inserita nel caricabatteria.
- ◆ Inserite la spina del caricabatteria.

Caricabatteria da 3 ore

La batteria sarà carica dopo circa 3 ore. Può essere tolta dal caricabatteria in qualunque momento o rimanervi per tempo indefinito.

Caricabatteria da 1 ora

- ◆ Controllare se la spia rossa della carica (16) s'illumina. Se, invece, s'illumina la spia verde di fine carica (17), significa che la batteria è troppo calda e non può essere caricata. In questo caso, togliere la batteria dal caricabatteria, farla raffreddare per circa 1 ora e poi reinserirla nel caricabatteria.

Dopo circa 1 ora di carica, la spia rossa di carica si spegne e s'illumina la spia verde di fine carica. A questo punto la batteria è completamente carica.

- ◆ Togliere la batteria dal caricabatteria.

Regolazione della posizione dell'impugnatura secondaria (fig. H)

L'impugnatura secondaria (4) può essere regolata per bilanciare in modo ottimale l'utensile ed ottenere così la massima comodità.

- ◆ Adagiare per terra la protezione (9).
- ◆ Allentare il pomo della maniglia (5).
- ◆ Girare l'impugnatura nella posizione desiderata.
- ◆ Stringere saldamente il pomo della maniglia.

Regolazione dell'altezza (fig. I)

L'albero telescopico (31) consente di regolare l'altezza dell'utensile per ottenere il massimo comfort.

- ◆ Allentare il collare (6).
- ◆ Per aumentare l'altezza, fare scivolare l'albero in fuori.
- ◆ Per ridurre l'altezza, fare scivolare l'albero in dentro.
- ◆ Serrare il collare.

Avviamento e spegnimento (fig. J)

Per ragioni di sicurezza, questo utensile viene fornito con un sistema di doppi interruttori che ne impedisce l'avviamento indesiderato.

Accensione

- ◆ Spingere indietro il pulsante di sblocco (2) con il pollice e, contemporaneamente, spingere l'interruttore on / off (1).
- ◆ Rilasciare il pulsante di sblocco.

Spegnimento

- ◆ Rilasciare l'interruttore on / off (1).

Attenzione! Non tentare mai di bloccare l'interruttore in posizione di accensione.

Impostazione dell'utensile sulla modalità di tosatura o rifinitura dei bordi (figg. K - M)

L'utensile può essere impiegato per tosare come raffigurato nella fig. K o per tagliarle l'erba che fuoriesce dai bordi dei prati e dalle fioriere, come raffigurato nella fig. L.

Modalità di tosatura (fig. K & M)

Per tosare, la testa tosatrice deve trovarsi sulla posizione indicata nella fig. K. In caso contrario:

- ◆ Afferrare con una mano la maniglia secondaria e prendere l'anello (7) con l'altra mano, come illustrato (fig. K).
- ◆ Spingere l'anello in direzione della testa tosatrice e ruotarlo in senso antiorario finché la testa tosatrice non s'innesta in posizione di tosatura (fig. M).
- ◆ Rilasciare l'anello.
- ◆ Collocare la guida dei bordi (11) in posizione arretrata.

Modalità di rifinitura bordi (figg. L & M)

Per la rifinitura dei bordi, la testa tosatrice deve trovarsi nella posizione raffigurata nella fig. L. In caso contrario:

- ◆ Afferrare con una mano la maniglia secondaria e prendere l'anello (7) con l'altra mano, come illustrato (fig. L).

- ◆ Spingere l'anello in direzione della testa tosatrice e ruotarlo in senso orario finché la testa tosatrice non s'innesta in posizione di rifinitura dei bordi (fig. M).
- ◆ Rilasciare l'anello.
- ◆ Collocare la guida dei bordi (11) in posizione arretrata.

Consigli per un'ottima utilizzazione

Tosatura

- ◆ Sostenere l'utensile come raffigurato nella fig. K.
- ◆ Fare oscillare delicatamente il tosaerba da lato a lato, come illustrato nella fig. K.
- ◆ Quando si tosa erba alta, procedere per gradi, partendo dalla cima.
- ◆ Tenere l'utensile lontano da oggetti duri e piante delicate.
- ◆ Se la velocità dell'utensile diminuisce, ridurre il carico.

Rifinitura dei bordi

Per ottenere risultati ottimali, intervenire su bordi con profondità superiore a 50 mm.

- ◆ Non adoperare l'utensile per creare dei bordi; in questo caso è opportuno adoperare un'apposita vanga.
- ◆ Dirigere l'utensile come illustrato nella fig. L.
- ◆ Mantenere la guida per i bordi contro il bordo del prato.
- ◆ Per eseguire un taglio più accurato, inclinare lievemente l'utensile.

Informazioni generali

- ◆ Per ottenere risultati ottimali, tagliare soltanto erba secca.
- ◆ Se possibile, mantenere la batteria collegata al caricatore e il caricatore inserito in una presa, ogniqualvolta l'utensile non è in uso.

Manutenzione

Questo attrezzo Black & Decker é stato progettato per funzionare a lungo con un minimo di manutenzione. Per ottenere prestazioni sempre soddisfacenti occorre avere cura dell'utensile e sottoporlo a manutenzione periodica. Il caricabatteria non richiede alcun tipo di manutenzione oltre a una regolare pulizia.

Attenzione! Prima di eseguire qualsiasi tipo di manutenzione dell'utensile, estrarne le batterie. Scollegare il caricatore dalla presa elettrica prima di pulirlo.

- ◆ Dopo l'uso, staccare la batteria e controllare che l'utensile non abbia subito danni.
- ◆ Pulire regolarmente con una spazzola morbida o un panno asciutto le prese di ventilazione dell'utensile e del caricabatteria.

- ◆ Il vano del motore va pulito regolarmente con un panno umido. Non usare materiali abrasivi o detergenti a base di solventi.
- ◆ Pulire regolarmente il filo di taglio e la bobina con una spazzola morbida o un panno asciutto.
- ◆ Usare regolarmente un raschietto senza punta per togliere l'erba e la sporcizia dalla superficie inferiore della protezione.

Scomparti

Quando l'utensile non viene usato per diversi mesi, si consiglia di lasciare la batteria collegata al caricatore.

Altrimenti procedere come segue:

- ◆ Caricare completamente la batteria.
- ◆ Rimuovere la batteria dall'utensile.
- ◆ Riporre l'utensile e la batteria in un luogo adatto e asciutto. La temperatura ambiente deve essere compresa tra +5 °C e +40 °C. La batteria deve essere collocata su un piano orizzontale.
- ◆ Prima di usare l'utensile dopo un lungo periodo di conservazione, ricaricare nuovamente la batteria.

Risoluzione dei problemi

Se l'utensile non sembra funzionare correttamente, procedere come segue. Se il problema persiste, contattare il servizio di assistenza tecnica della Black & Decker.

Attenzione! Prima di procedere, rimuovere la batteria dall'utensile.

L'utensile funziona lentamente

- ◆ Controllare che l'alloggiamento della bobina ruoti liberamente. Se necessario pulirlo accuratamente.
- ◆ Controllare che il filo di taglio non fuoriesca più di 10 - 12 cm dall'alloggiamento della bobina. In caso contrario, tagliare il filo in modo che raggiunga solo la lama di tosatura.

L'alimentazione automatica del filo non funziona

- ◆ Tenere premute le linguette e togliere il coperchio della bobina dall'alloggiamento.
- ◆ Sollevare la bobina circa 6 mm e tirare il filo di taglio fino a che non fuoriesce di circa 10 - 12 cm dall'alloggiamento. Se non c'è sufficiente filo nella bobina, montare una nuova bobina di filo di taglio, come descritto in precedenza.
- ◆ Spingere nuovamente in posizione la bobina e ruotarla leggermente fino a che non si assesta.
- ◆ Allineare le linguette sul coperchio della bobina con i fori dell'alloggiamento.
- ◆ Spingere il coperchio nell'alloggiamento fino a bloccarlo in posizione.
- ◆ Se il filo di taglio fuoriesce oltre la lama di tosatura, tagliarlo in modo che raggiunga solo la lama.

Se l'alimentazione automatica del filo continua a non funzionare, si consiglia quanto segue:

- ◆ Pulire accuratamente l'alloggiamento della bobina.
- ◆ Estrarre la bobina e controllare se la leva si muove liberamente.
- ◆ Togliere la bobina e srotolare il filo di taglio, poi avvolgere nuovamente il filo, come descritto in precedenza. Sostituire la bobina come indicato.

La bobina è inceppata

- ◆ Tenere premute le linguette e togliere il coperchio della bobina dall'alloggiamento.
- ◆ Pulire accuratamente l'alloggiamento della bobina.
- ◆ Spingere il coperchio nell'alloggiamento fino a bloccarlo in posizione.

Protezione dell'ambiente



Raccolta differenziata. Questo prodotto non deve essere smaltito con i normali rifiuti domestici.

Nel caso in cui si decida di sostituire l'apparecchio oppure di disfarsene in quanto non più necessario, non dovrà essere smaltito con i normali rifiuti domestici. Smaltire il prodotto tramite raccolta differenziata.



La raccolta differenziata di prodotti e imballaggi usati, consente il riciclaggio e il riutilizzo dei materiali. Riutilizzare i materiali riciclati aiuta a prevenire l'inquinamento ambientale e riduce la richiesta di materie prime.

In base alle normative locali, i servizi per la raccolta differenziata di elettrodomestici possono essere disponibili presso i punti di raccolta municipali o presso il rivenditore, al momento dell'acquisto di un nuovo prodotto.

Black & Decker offre ai suoi clienti un servizio per la raccolta differenziata e la possibilità di riciclare i prodotti Black & Decker che hanno esaurito la loro durata in servizio. Per usufruire del servizio, è sufficiente restituire il prodotto a qualsiasi tecnico autorizzato, incaricato della raccolta per conto dell'azienda.

Per individuare il tecnico autorizzato più vicino, rivolgersi alla sede Black & Decker locale, presso il recapito indicato nel presente manuale. Altrimenti un elenco completo di tutti i tecnici autorizzati Black & Decker e i dettagli completi sui contatti e i servizi post-vendita sono disponibili sul sito Internet: www.2helpU.com

Batterie



Le batterie della Black & Decker si possono ricaricare più volte: al termine della loro durata in servizio, devono essere raccolte negli appositi contenitori, per garantirne lo smaltimento nel rispetto dell'ambiente.

- ◆ Quando è completamente esaurita, la batteria deve essere estratta dall'utensile.
- ◆ Le batterie NiCd e NiMH sono riciclabili e devono essere consegnate a un tecnico autorizzato o portate presso un impianto di riciclaggio di zona.

Dati tecnici

		GLC2500	GLC3000
Tensione	V _{DC}	18	24
Velocità a vuoto	min ⁻¹	6.800	6.800
Peso	kg	1,8	1,8

Batteria

Tensione	V _{DC}	18	24
Capacità	Ah	1,5	1,2
Peso	kg	0,8	1

Caricabatteria

Tensione	V _{AC}	230	230
Tempo approssimato di carica	h	3	3

Dichiarazione europea di conformità del macchinario

GLC2500/GLC2500NM/GLC3000

Black & Decker dichiara che i presenti prodotti sono conformi a:

98/37/CEE, 89/336/CEE, 73/23/CEE, EN 55014,
EN 60335, EN 61000, 2000/14/CE, EN 786, EN 28662,
EN ISO 3744, EN ISO 11201

Tosaerba, L = 25 cm, Allegato VI, N. 499
SNCH, L-5230 Sandweiler, Luxembourg

Livello di rumorosità, dati conformi alla norma EN ISO 3744:

L_{PA} (pressione sonora) 81 dB(A)

L_{WA} (potenza acustica) 92 dB(A)

L_{WA} (garantita) 96 dB(A)

Livello vibrazioni mani / braccia, dati conformi alla norma
EN 786: < 2,5 m/s²

Kevin Hewitt

Direttore tecnico prodotti di consumo
Spennymoor, County Durham DL16 6JG,
Regno Unito
1-11-2004

Garanzia

Certa della qualità dei suoi prodotti, Black & Decker offre una garanzia eccezionale. Il presente certificato di garanzia è complementare ai diritti statutari e non li pregiudica in alcun modo. La garanzia è valida entro il territorio degli Stati membri dell'Unione Europea e dell'EFTA (European Free Trade Area).

Se un prodotto Black & Decker risulta difettoso per qualità del materiale, della costruzione o per mancata conformità entro 24 mesi dalla data di acquisto, Black & Decker garantisce la sostituzione delle parti difettose, provvede alla riparazione dei prodotti se ragionevolmente usurati oppure alla loro sostituzione, in modo da ridurre al minimo il disagio del cliente a meno che:

- ◆ Il prodotto non sia stato destinato ad usi commerciali, professionali o al noleggio;
- ◆ Il prodotto non sia stato usato in modo improprio o scorretto;
- ◆ Il prodotto non abbia subito danni causati da oggetti o sostanze estranee oppure incidenti;
- ◆ Il prodotto non abbia subito tentativi di riparazione non effettuati da tecnici autorizzati né dall'assistenza Black & Decker.

Per attivare la garanzia è necessario esibire la prova comprovante l'acquisto al venditore o al tecnico autorizzato. Per individuare il tecnico autorizzato più vicino, rivolgersi alla sede Black & Decker locale, presso il recapito indicato nel presente manuale. Altrimenti un elenco completo di tutti i tecnici autorizzati Black & Decker e i dettagli completi sui contatti e i servizi post-vendita sono disponibili su Internet presso: **www.2helpU.com**

I clienti che desiderano registrare il nuovo prodotto Black & Decker e ricevere gli aggiornamenti sui nuovi prodotti e le offerte speciali, sono invitati a visitare il sito Web **www.blackanddecker.it**. Ulteriori informazioni sul marchio e la gamma di prodotti Black & Decker sono disponibili all'indirizzo **www.blackanddecker.it**

Gebruik volgens bestemming

Uw Black & Decker strimmer is ontworpen voor het strimmen en afwerken van graskanten alsmede voor het strimmen van gras in besloten ruimtes.

Deze machine is uitsluitend bestemd voor consumentengebruik.

Uw Black & Decker oplader is ontworpen om de accu op te laden in het apparaat waarmee hij geleverd is.

Ken uw machine



- ◆ **Waarschuwing!** Bij het gebruik van accugevoede machines dienen ter bescherming tegen brandgevaar, vrijkomen van accuvloeistof, letsel en materiële schade altijd gepaste veiligheidsmaatregelen in acht te worden genomen, waaronder de volgende veiligheidsvoorschriften.
- ◆ Lees voor uw eigen veiligheid en die van omstanders deze handleiding volledig door alvorens de machine te gebruiken.
- ◆ Zorg dat u bekend bent met de bedieningsonderdelen en het juiste gebruik van de machine.
- ◆ Zorg ervoor dat u voor gebruik weet hoe u de machine in geval van nood uitschakelt.
- ◆ Bewaar deze instructies zorgvuldig!

Algemeen

1. Houd rekening met omgevingsinvloeden

Stel de machine niet bloot aan regen. Gebruik de machine niet in een vochtige of natte omgeving. Gebruik de machine alleen bij daglicht of goede kunstmatige verlichting. Gebruik de machine niet op plaatsen waar brand- of explosiegevaar bestaat, b.v. in de buurt van brandbare vloeistoffen of gassen. Houd de werkomgeving vrij van afval en obstakels.

2. Houd kinderen uit de buurt

Houd kinderen, bezoekers en dieren buiten het werkgebied en laat ze de machine niet aanraken.

3. Draag geschikte werkkleding

Draag geen wijde kleding of loshangende sieraden. Deze kunnen door de bewegende delen worden gegrepen. Draag bij het werken buitenshuis bij voorkeur rubberen werkhandschoenen en schoenen met profielzolen. Houd lang haar bijeen.

4. Persoonlijke bescherming

Draag altijd een veiligheidsbril. Draag een gezichts- of stofmasker bij werkzaamheden waarbij stofdeeltjes of spanen vrijkomen. Draag altijd gehoorbescherming als het geluidsniveau onaangenaam hoog is.

5. Zorg voor een veilige houding

Zorg altijd voor een juiste, stabiele houding.

6. Blijf voortdurend oplettend

Houd uw aandacht bij uw werk. Ga met verstand te werk. Gebruik de machine niet als u niet geconcentreerd bent.

7. Klem het werkstuk goed vast

Gebruik klemmen of een bankschroef om het werkstuk te fixeren. Dit is veiliger, bovendien kan de machine dan met beide handen worden bediend.

8. Verwijder sleutels of hulpgereedschappen

Controleer vóór het inschakelen altijd of sleutels en andere hulpgereedschappen zijn verwijderd.

9. Gebruik de juiste machine

Het gebruik volgens bestemming is beschreven in deze handleiding. Gebruik geen te lichte machine of hulpstukken voor te zwaar werk. De machine werkt beter en veiliger indien u deze gebruikt voor het beoogde doel. Overbelast de machine niet.

Waarschuwing! Gebruik ter voorkoming van lichamelijk letsel uitsluitend de in deze gebruiksaanwijzing aanbevolen accessoires en hulpstukken. Gebruik de machine uitsluitend volgens bestemming.

10. Controleer de machine op beschadigingen

Controleer de machine voor gebruik op schade. Controleer of alle bewegende delen correct gemonteerd zijn, of er geen onderdelen gebroken zijn, of er geen beschermkappen en schakelaars beschadigd zijn en of er geen andere gebreken zijn die invloed op de werking van de machine zouden kunnen hebben. Vergewis u er van dat de machine correct werkt. Gebruik de machine niet als enig onderdeel defect is. Gebruik de machine niet als de aan/uit-schakelaar niet werkt. Defecte onderdelen dienen door een erkend servicecentrum te worden gerepareerd of vervangen. Probeer nooit om het apparaat zelf te repareren.

11. Verwijder de accu

Neem de accu van de machine als u de machine niet gebruikt, voordat u gereedschappen, accessoires of onderdelen van de machine verwisselt en voordat u onderhoud aan de machine uitvoert.

12. Voorkom onbedoeld inschakelen

Draag de machine niet met uw vingers aan de aan/uit-schakelaar. Vergewis u er van dat de machine is uitgeschakeld als u de accu aanbrengt.

13. Misbruik het snoer niet

Draag de oplader nooit aan het snoer. Trek niet aan het snoer om de stekker uit het stopcontact te verwijderen. Houd het snoer uit de buurt van warmtebronnen, olie en scherpe randen.

14. Berg de machine veilig op

Berg de machine, oplader en accu na gebruik op in een droge ruimte, buiten het bereik van kinderen.

15. Onderhoud de machine met zorg

Houd snijgereedschappen scherp en schoon om beter en veiliger te kunnen werken. Houdt u aan de instructies met betrekking tot het onderhoud en het vervangen van accessoires. Houd de handgrepen en schakelaars droog en vrij van olie en vet.

16. Reparaties

Deze machine voldoet aan de geldende veiligheidseisen.

Reparaties mogen uitsluitend worden uitgevoerd door bevoegde vakmensen en met behulp van originele reserveonderdelen; anders kan er een aanzienlijk gevaar voor de gebruiker ontstaan.

Aanvullende veiligheidsvoorschriften voor accu's en opladers

Accu's

- ◆ Probeer nooit een accu te openen.
- ◆ Stel de accu niet aan water bloot.
- ◆ Bewaar accu's niet op plaatsen waar de temperatuur 40 °C kan overschrijden.
- ◆ Laad accu's uitsluitend op bij een omgevingstemperatuur tussen 4 °C en 40 °C.
- ◆ Laad accu's uitsluitend op met behulp van de meegeleverde oplader.
- ◆ Volg bij het afhandelen van accu's de instructies in de paragraaf "Milieu" op.
- ◆ Onder extreme gebruikscondities kan er vloeistof uit de accu vrijkomen. Als u vloeistof op de accu opmerkt, gaat u als volgt te werk:
 - Verwijder met behulp van een doekje voorzichtig de vloeistof van de accu. Vermijd huidcontact.
 - Als de vloeistof toch in aanraking komt met de huid of de ogen, volgt u de onderstaande instructies op.

Waarschuwing! De accuvloeistof bestaat uit een 25-30 % oplossing van kaliumhydroxide en kan gevaarlijk zijn. Indien accuvloeistof met de huid in aanraking is gekomen, spoel dan de huid onmiddellijk met water af. Neutraliseer de vloeistof met een zwak zuur zoals citroensap of azijn. Indien accuzuur in de ogen is gekomen, spoel de ogen dan gedurende minimaal 10 minuten met schoon stromend water. Raadpleeg vervolgens een arts.

- ◆ Verbrand de accu nooit.
- ◆ Probeer nooit een beschadigde accu op te laden.

Opladers

- ◆ Gebruik uw Black & Decker oplader uitsluitend voor het opladen van accu's van het meegeleverde type. Andere accu's kunnen barsten, waardoor letsel en materiële schade kunnen ontstaan.
- ◆ Probeer nooit om niet oplaadbare accu's op te laden.
- ◆ Laat een defect netsnoer onmiddellijk vervangen.
- ◆ Stel de oplader niet aan water bloot.
- ◆ Open de oplader niet.
- ◆ Steek geen voorwerpen in het inwendige van de oplader.



De oplader is uitsluitend bedoeld voor gebruik binnenshuis.

Elektrische veiligheid



Uw oplader is dubbel geïsoleerd; een aardaansluiting is daarom niet noodzakelijk. Controleer altijd of de netspanning overeenkomt met het voltage op het typeplaatje. Vervang de oplader nooit door een netstekker.

Aanvullende veiligheidsinstructies voor strimmers

De machine is voorzien van de volgende pictogrammen:



Draag een veiligheidsbril als u deze machine bedient.



Waarschuwing! Het snijdraad draait nog een aantal seconden rond nadat de machine is uitgeschakeld. Probeer nooit om het draad zelf tot stilstand te brengen.



Houd mensen en dieren tenminste 6 m uit de buurt van de snijdraad.



Stel het apparaat niet bloot aan regen.

- ◆ Verbied kinderen en personen die niet van de inhoud van deze handleiding op de hoogte zijn het gebruik van de machine.
- ◆ Draag stevige schoenen of laarzen om uw voeten te beschermen.
- ◆ Draag een lange broek om uw benen te beschermen.
- ◆ Controleer de machine voor gebruik en na harde schokken op slijtage of beschadiging en repareer indien noodzakelijk.
- ◆ Controleer voordat u de machine in gebruik neemt of er geen stokjes, steentjes, draad en andere obstakels op het te bewerken oppervlak liggen.
- ◆ Gebruik de machine alleen in rechtopstaande positie, met het snijdraad in de buurt van de grond. Schakel de machine nooit in een andere positie in.
- ◆ Beweeg langzaam wanneer u de machine gebruikt. Houd er rekening mee dat pas gemaaid gras vochtig en glad is.
- ◆ Werk niet op steile hellingen. Bewerk taluds in stroken van links naar rechts, niet van boven naar beneden.
- ◆ Steek nooit grindpaden of -wegen over terwijl de machine is ingeschakeld.
- ◆ Houd altijd en handen en voeten uit de buurt van de snijdraad, vooral bij het inschakelen van de motor.
- ◆ Voorkom verwonding door het snijmes. Breng na het verlengen van de snijdraad de machine altijd weer in de normale stand terug alvorens hem in te schakelen.
- ◆ Zet de machine niet neer voordat de snijdraad volledig tot stilstand is gekomen.

- ◆ Zorg er altijd voor dat de ventilatieopeningen vrij zijn van afval.
- ◆ Gebruik uitsluitend het geschikte type snijdraad. Gebruik nooit snijdraad van metaal of vislijn.
- ◆ Voorkom aanraking van het snijmes.
- ◆ Monteer nooit snijdraad van metaal.
- ◆ Gebruik uitsluitend reserveonderdelen en accessoires van Black en Decker.



Duidt op mogelijk lichamelijk letsel, levensgevaar of kans op beschadiging van het product indien de instructies in deze handleiding worden genegeerd.



Lees de handleiding voordat u met de machine gaat werken.

Overzicht

1. Aan/uit-schakelaar
2. Ontgrendelingsknop
3. Hoofdhandgreep
4. Extra handgreep
5. Instelknop handgreep
6. Instelkraag voor handgreep
7. Instelkraag voor bedrijfsmodus
8. Motorhuis
9. Beschermkap
10. Snijmes
11. Kantengeleider
12. Spoelbehuizing
13. Snijdraad
14. Accu
15. Oplader
16. Oplaadindicator
17. Indicator einde oplaadtijd

Fig. A

Assemblage

Waarschuwing! Neem voor de montage de accu van de machine.

Aanbrengen en verwijderen van de accu (fig. B)

- ◆ Om de accu (14) aan te brengen, houdt u hem voor de houder in de machine. Schuif de accu in de houder en duw deze aan totdat hij vastklikt.
- ◆ Druk om de accu te verwijderen de ontgrendelingsknop (18) in en trek tegelijkertijd de accu uit de houder.

Aanbrengen van de beschermkap (fig. C)

Waarschuwing! Gebruik de machine nooit met beschadigde beschermkappen of schilden of zonder dat beschermkappen of schilden zijn aangebracht.

- ◆ Breng de beschermkap (9) op de machine aan zoals afgebeeld. De gaten (19) dienen over de nokken (20) op de machine te vallen.
- ◆ Duw de beschermkap aan totdat hij op zijn plaats klikt (A).
- ◆ Duw de beschermkap naar voren (B).
- ◆ Draai de schroeven (21) zorgvuldig aan.

Waarschuwing! Gebruik de machine nooit zonder dat de beschermkap naar behoren is aangebracht.

Aanbrengen van een nieuwe draadspoel (fig. D)

Vervangende draadspoelen zijn verkrijgbaar bij uw Black & Decker-dealer (catalogusnr. A6481).

- ◆ Houd de lippen (22) op het spoeldeksel (23) ingedrukt en verwijder het spoeldeksel van de behuizing (12).
- ◆ Verwijder de lege spoel (24) uit de behuizing.
- ◆ Verwijder vuil en gras uit de behuizing.
- ◆ Neem de nieuwe spoel en rol ca. 12 cm snijdraad af.
- ◆ Voer het snijdraad door het draadgat (25).
- ◆ Druk de spoel op de aandrijf-as (26) en draai hem een beetje totdat hij vastzit. Zorg dat het snijdraad niet onder de spoel geklemd zit en dat 10-12 cm snijdraad uit de behuizing steekt.
- ◆ Houd de lippen op de draadspoel voor de gaten in de behuizing.
- ◆ Druk het deksel op de behuizing totdat het op zijn plaats klikt.

Waarschuwing! Knip het snijdraad af als het verder dan het snijmes (11) uitsteekt zodat het draad het mes niet raakt.

Winden van nieuwe draad op een lege spoel (fig. E – G)

U kunt nieuwe snijdraad op een lege spoel winden.

Vervangende snijdraad is verkrijgbaar bij uw Black & Decker-dealer (catalogusnr. A6170 (25 m), A6171 (40 m)).

- ◆ Verwijder de lege spoel uit de machine zoals hierboven beschreven.
- ◆ Verwijder de oude snijdraad uit de spoel (27) (fig. E).
- ◆ Voer 2 cm snijdraad in een van de gaten (28) in de spoel zoals afgebeeld (fig. F).
- ◆ Buig het snijdraad om en veranker het in de L-vormige sleuf (29).
- ◆ Wind het snijdraad op de spoel in de richting van de pijl. Zorg dat de draad netjes in lagen op de spoel wordt gewonden. Niet kriskras opwinden (fig. G).
- ◆ Knip het snijdraad door zodra het opgewonden draad tot de uitsparingen (30) komt. Laat de draad vanaf de spoel ca. 12 cm uitsteken en houd een vinger op de draad om hem op zijn plaats te houden (fig. E).
- ◆ Ga verder te werk zoals hierboven beschreven om de spoel op de machine aan te brengen.

Waarschuwing! Gebruik uitsluitend het geschikte type Black & Decker-snijdraad.

Gebruik

Waarschuwing! Laat de machine op haar eigen tempo werken. Niet overbelasten.

Opladen van de accu (fig. A)

De accu moet worden opgeladen voor het eerste gebruik alsmede zodra hij niet meer genoeg energie levert voor werkzaamheden die eerder moeiteloos konden worden verricht. Als u de accu voor de eerste keer of na langdurige opslag oplaadt, zal deze slechts voor ca. 80% worden opgeladen. Na een aantal laad- en ontlad-cycli wordt de accu echter compleet opgeladen. Tijdens het opladen kan de accu warm aanvoelen. Dit is normaal en duidt niet op een defect.

Waarschuwing! Laad de accu niet op bij omgevingstemperaturen onder 4 °C of boven 40 °C. Aanbevolen oplaadtemperatuur: ca. 24 °C.

- ◆ Om de accu (14) op te laden, haalt u deze uit de machine en steekt hem in de oplader (15). De accu past slechts op één manier in de oplader. Niet forceren. Verzekert u ervan dat de accu volledig in de oplader is geplaatst.
- ◆ Steek de stekker van de oplader in het stopcontact.

3-uurs oplader

De accu is volledig opgeladen na ongeveer 3 uur. De accu kan elk moment worden uitgenomen of voor onbepaalde tijd in de aangesloten oplader worden achtergelaten.

1-uurs oplader

- ◆ Controleer of de rode oplaadindicator (16) brandt. Als de groene indicator einde oplaadtijd (17) brandt, is de accu te heet en kan deze niet worden opgeladen. Indien dit gebeurt, haalt u de accu uit de oplader en laat hem ongeveer 1 uur afkoelen voordat u de accu terugplaatst.

Na ongeveer 1 uur opladen dooft de rode oplaadindicator en gaat de groene indicator einde oplaadtijd branden. De accu is nu volledig opgeladen.

- ◆ Verwijder de accu uit de oplader.

Instellen van de stand van de extra handgreep (fig. H)

De extra handgreep (4) kan worden ingesteld voor een optimaal evenwicht en comfort.

- ◆ Laat de beschermkap (9) op de grond rusten.
- ◆ Draai de instelknop (5) los.
- ◆ Beweeg de handgreep naar de gewenste stand.
- ◆ Draai de instelknop zorgvuldig vast.

Instellen van de hoogte (fig. I)

Met de telescopische steel (31) kunt u de machine op een comfortabele hoogte instellen.

- ◆ Draai de kraag (6) los.
- ◆ Schuif de steel uit om de hoogte te vergroten.
- ◆ Schuif de steel in om de hoogte te verkleinen.
- ◆ Draai de kraag vast.

Aan- en uitschakelen (fig. J)

Voor uw veiligheid is deze machine uitgevoerd met een dubbel schakelsysteem. Dit systeem voorkomt onverwachts inschakelen van de machine.

Inschakelen

- ◆ Duw de ontgrendelingsknop (2) naar achteren met uw duim en knijp op hetzelfde moment de aan/uit-schakelaar (1) in.
- ◆ Laat de ontgrendelingsknop los.

Uitschakelen

- ◆ Laat de aan/uit-schakelaar (1) los.

Waarschuwing! Probeer nooit om de schakelaar in de ingeschakelde stand te vergrendelen.

Instellen van de machine voor strimmen of graskantsnijden (fig. K - M)

De machine kan worden gebruikt voor strimmen zoals afgebeeld in fig. K, of voor graskantsnijden om overhangend gras langs graskanten en bloembedden te strimmen zoals afgebeeld in fig. L.

Strimmen (fig. K & M)

Voor strimmen staat de strimkop in de stand zoals afgebeeld in fig. K. Indien dit niet het geval is:

- ◆ Terwijl u de extra handgreep met de ene hand vasthoudt, neemt u de kraag (7) in de andere hand zoals afgebeeld (fig. K).
- ◆ Duw de kraag in de richting van de strimkop en draai hem linksom totdat de strimkop in de strimstand klikt (fig. M).
- ◆ Laat de kraag los.
- ◆ Zet de kantengeleider (11) in de teruggetrokken stand.

Graskantsnijden (fig. L & M)

Voor graskantsnijden staat de strimkop in de stand zoals afgebeeld in fig. L. Indien dit niet het geval is:

- ◆ Terwijl u de extra handgreep met de ene hand vasthoudt, neemt u de kraag (7) in de andere hand zoals afgebeeld (fig. L).
- ◆ Duw de kraag in de richting van de strimkop en draai hem rechtsom totdat de strimkop in de stand voor graskantsnijden klikt (fig. M).

- ◆ Laat de kraag los.
- ◆ Zet de kantengeleider (11) in de teruggetrokken stand.

Tips voor optimaal gebruik

Strimmen

- ◆ Houd de machine vast zoals afgebeeld in fig. K.
- ◆ Zwaai de strimmer langzaam heen en weer zoals afgebeeld in fig. K.
- ◆ Ga bij het bewerken van lang gras laag voor laag te werk vanaf de bovenkant.
- ◆ Houd de machine uit de buurt van harde voorwerpen en fijne beplanting.
- ◆ Verminder de belasting als de machine langzamer begint te draaien.

Graskantsnijden

De beste resultaten worden bereikt op kanten die dieper zijn dan 50 mm.

- ◆ Gebruik de machine niet voor het maken van kanten. Gebruik een spade om kanten te maken.
- ◆ Voer de machine langs de graskant zoals afgebeeld in fig. L. Houd de kantengeleider tegen de graskant.
- ◆ Houd de machine een beetje schuin om een nauwkeuriger kant te snijden.

Algemeen

- ◆ Voor een optimaal resultaat kunt u het beste alleen droog gras bewerken.
- ◆ Houd indien mogelijk de accu op de oplader aangesloten en de oplader in het stopcontact zolang de machine niet wordt gebruikt

Onderhoud

Uw Black & Decker machine is ontworpen om gedurende langere periode te functioneren met een minimum aan onderhoud. Voortdurend tevreden gebruik is afhankelijk van correct onderhoud en regelmatig schoonmaken.

Uw oplader heeft geen ander onderhoud dan een regelmatige reiniging.

Waarschuwing! Verwijder de accu van de machine alvorens onderhoudswerkzaamheden uit te voeren. Koppel voor het reinigen van de oplader de netstekker los van het lichtnet.

- ◆ Ontkoppel na gebruik de accu en controleer de machine op schade.
- ◆ Reinig regelmatig de ventilatieopeningen van de machine en oplader met behulp van een zachte borstel of een droge doek.
- ◆ Reinig regelmatig de behuizing van de motor met een vochtig doek. Gebruik geen schuur- of oplosmiddel.

- ◆ Reinig regelmatig het snijdraad en de spoel met een zachte borstel of een droge doek.
- ◆ Gebruik regelmatig een botte krabber om gras en vuil uit de beschermkap te verwijderen.

Berging

Laat bij voorkeur de accu op de oplader aangesloten als de machine een aantal maanden niet wordt gebruikt. Ga anders als volgt te werk:

- ◆ Laad de accu volledig op.
- ◆ Verwijder de accu uit de machine.
- ◆ Berg de machine en accu op een veilige en droge plaats op. De temperatuur in de opbergruimte dient altijd tussen +5 °C en +40 °C te blijven. Plaats de accu op een egaal oppervlak.
- ◆ Laad de accu weer volledig op voordat u de machine na langere periode van berging gaat gebruiken.

Storingen verhelpen

Indien uw machine niet naar behoren functioneert, volg dan onderstaande instructies. Als hierdoor het probleem niet wordt opgelost, kunt u contact opnemen met uw plaatselijke Black & Decker servicecentrum.

Waarschuwing! Neem voor de werkzaamheden de accu van de machine.

Machine draait langzaam

- ◆ Controleer of de behuizing van de spoel vrij kan rondraaien. Maak indien nodig de behuizing schoon.
- ◆ Controleer of de snijdraad niet meer dan 10-12 cm uitsteekt vanaf de behuizing van de spoel. Knip indien dit wel het geval is de draad af zodat hij net het snijmes raakt.

Automatische draadvoeding werkt niet

- ◆ Houd de lippen ingedrukt en verwijder het spoeldekseel van de behuizing.
- ◆ Licht de spoel ca. 6 mm op en trek aan de snijdraad totdat deze 10-12 cm uitsteekt vanaf de behuizing. Plaats een nieuwe spoel met snijdraad (zie bovenstaande instructies) indien er onvoldoende snijdraad op de spoel is overgebleven.
- ◆ Druk de spoel op zijn plaats terug en draai hem een beetje totdat hij vastzit.
- ◆ Houd de lippen op de draadspoel voor de gaten in de behuizing.
- ◆ Druk het deksel op de behuizing totdat het netjes op zijn plaats klikt.
- ◆ Knip de snijdraad af als hij verder dan het snijmes uitsteekt zodat de draad het mes net raakt.

Indien de automatische draadvoeding nog steeds niet werkt, probeer dan de volgende suggesties:

- ◆ Reinig zorgvuldig de behuizing van de spoel.
- ◆ Verwijder de spoel en controleer of de hefboom vrij kan bewegen.
- ◆ Verwijder de spoel en wikkel de snijdraad af, wind het daarna weer netjes op de spoel zoals hierboven beschreven. Plaats de spoel terug volgens instructies.

Spoel is vastgelopen

- ◆ Houd de lippen ingedrukt en verwijder het spoeldeksel van de behuizing.
- ◆ Reinig zorgvuldig de behuizing van de spoel.
- ◆ Druk het deksel op de behuizing totdat het netjes op zijn plaats klikt.

Milieu



Gescheiden inzameling. Dit product mag niet met het gewone huishoudelijke afval worden weggegooid.

Wanneer uw oude Black & Deckerproduct aan vervanging toe is of het u niet langer van dienst kan zijn, gooi het dan niet bij het huishoudelijk afval. Zorg ervoor dat het product gescheiden kan worden ingezameld.



Door gebruikte producten en verpakkingen gescheiden in te zamelen, worden de materialen gerecycled en opnieuw gebruikt. Hergebruik van gerecyclede materialen voorkomt milieuvervuiling en vermindert de vraag naar grondstoffen.

Inzamelpunten voor gescheiden inzameling van elektrische huishoudproducten bij gemeentelijke vuilnisbergen of bij de verkoper waar u een nieuw product koopt, kunnen aan plaatselijke voorschriften gebonden zijn.

Black & Decker biedt de mogelijkheid tot inzamelen en recyclen van afgedankte Black & Decker producten. Om gebruik van deze service te maken, dient u het product aan een van onze servicecentra te sturen, die voor ons de inzameling verzorgen.

U kunt het adres van het dichtstbijzijnde servicecentrum opvragen via de adressen op de achterzijde van deze handleiding. U kunt ook een lijst van onze servicecentra en meer informatie m.b.t. onze klantenservice vinden op het volgende Internet-adres: **www.2helpU.com**

Accu's



Black & Decker accu's kunnen vele malen opnieuw worden opgeladen. Versleten accu's dienen op milieubewuste wijze te worden verwijderd:

- ◆ Gebruik de energie van de accu helemaal op en verwijder hem dan van de machine.
- ◆ NiCd- en NiMH-accu's zijn te recyclen. Breng ze naar een servicecentrum of naar een plaatselijk verwerkingscentrum voor klein chemisch afval.

Technische gegevens

		GLC2500	GLC3000
Spanning	V_{DC}	18	24
Onbelast toerental	min^{-1}	6.800	6.800
Gewicht	kg	1,8	1,8

Accu

Spanning	V_{DC}	18	24
Capaciteit	Ah	1,5	1,2
Gewicht	kg	0,8	1

Oplader

Spanning	V_{AC}	230	230
Gemiddelde oplaadtijd	h	3	3

EG-conformiteitsverklaring

GLC2500/GLC2500NM/GLC3000

Black & Decker verklaart dat deze producten in overeenstemming zijn met:

98/37/EEG, 89/336/EEG, 73/23/EEG, EN 55014, EN 60335, EN 61000, 2000/14/EEG, EN 786, EN 28662, EN ISO 3744, EN ISO 11201

Gras strimmer, L = 25 cm, Bijlage VI, Nr. 499
SNCH, L-5230 Sandweiler, Luxemburg

Niveau van de geluidsdruk, gemeten volgens EN ISO 3744:

L_{pA} (geluidsdruk) 81 dB(A)

L_{WA} (geluidsvermogen) 92 dB(A)

L_{WA} (gegarandeerd) 96 dB(A)

Trilling op hand/arm volgens EN 786: < 2,5 m/s²

Kevin Hewitt
Director of Consumer Engineering
Spennymoor, County Durham DL16 6JG,
Verenigd Koninkrijk
1-11-2004

Garantie

Black & Decker heeft vertrouwen in zijn producten en biedt een uitstekende garantie. Deze garantiebepalingen vormen een aanvulling op uw wettelijke rechten en beperken deze niet. De garantie geldt in de lidstaten van de Europese Unie en de Europese Vrijhandelsassociatie.

Mocht uw Black & Decker product binnen 24 maanden na datum van aankoop defect raken tengevolge van materiaal- of constructiefouten, dan garanderen wij de kosteloze vervanging van defecte onderdelen, de reparatie van het product of de vervanging van het product, tenzij:

- ◆ Het product is gebruikt voor handelsdoeleinden, professionele toepassingen of verhuurdoeleinden;
- ◆ Het product onoordeelkundig is gebruikt;
- ◆ Het product is beschadigd door invloeden van buitenaf of door een ongeval;
- ◆ Reparaties zijn uitgevoerd door anderen dan onze servicecentra of Black & Decker personeel.

Om een beroep op de garantie te doen, dient u een aankoopbewijs te overhandigen aan de verkoper of een van onze servicecentra. U kunt het adres van het dichtstbijzijnde servicecentrum opvragen via de adressen op de achterzijde van deze handleiding. U kunt ook een lijst van onze servicecentra en meer informatie m.b.t. onze klantenservice vinden op het volgende Internet-adres: **www.2helpU.com**

Meld u aan op onze website **www.blackanddecker.com** om te worden geïnformeerd over nieuwe producten en speciale aanbiedingen. Verdere informatie over het merk Black & Decker en onze producten vindt u op **www.blackanddecker.com**

Finalidad

Su recortabordes Black & Decker está diseñado para recortar y rematar bordes de césped y para cortar el césped en espacios reducidos.

Esta herramienta está pensada únicamente para uso doméstico. Su cargador Black & Decker está diseñado para cargar la batería de la herramienta con la que se suministra.

Conozca su herramienta



- ◆ **¡Atención!** Cuando use herramientas alimentadas por batería, debe adoptar siempre las precauciones de seguridad básicas, incluidas las siguientes, a fin de reducir el riesgo de incendio, pérdida del líquido de las baterías, lesiones personales y daños materiales.
- ◆ Por su propia seguridad y la de aquellos que estén próximos a usted, lea detenidamente este manual antes de poner en marcha la herramienta.
- ◆ Familiarícese con los mandos y el uso adecuado de la herramienta.
- ◆ Antes de poner en marcha la herramienta, compruebe que sabe cómo desconectarla en caso de emergencia.
- ◆ Conserve este manual a mano para consultas posteriores.

Generalidades

1. Tenga en cuenta el entorno del área de trabajo

No exponga la herramienta a la lluvia. No use la herramienta en ambientes húmedos o mojados. Utilice la herramienta sólo a la luz del día o con una buena iluminación artificial. No utilice la herramienta donde exista riesgo de incendio o explosión, p. ej. en la proximidad de líquidos o gases inflamables.

Mantenga el área de trabajo limpia de residuos y obstáculos.

2. ¡Mantenga alejados a los niños!

No permita que niños, otras personas o animales se acerquen al área de trabajo o toquen la herramienta.

3. Vista ropa de trabajo apropiada

No lleve vestidos anchos ni joyas. Estos podrían quedar atrapados por las piezas móviles. Para trabajos en el exterior se recomienda llevar guantes de goma y calzado de suela antideslizante. Si tiene el pelo largo, llévelo recogido y cubierto.

4. Protección personal

Lleve gafas de protección. Utilice una mascarilla si el trabajo a ejecutar produce polvo u otras partículas volantes. Lleve protectores para los oídos cuando el ruido pueda resultar molesto.

5. No alargue demasiado su radio de acción

Mantenga un apoyo firme sobre el suelo y conserve el equilibrio en todo momento.

6. Esté siempre alerta

Mire lo que está haciendo. Use el sentido común.

No maneje la herramienta si está cansado.

7. Sujete bien la pieza de trabajo

Utilice abrazaderas o un torno para sujetar la pieza de trabajo. Es más seguro que sujetarla con la mano y le permite utilizar ambas manos para manejar la herramienta.

8. Retire las llaves y utensilios de reglaje

Antes de poner la herramienta en marcha, asegúrese de que las llaves y utensilios de reglaje hayan sido retirados.

9. Utilice la herramienta adecuada

En este manual se explica para qué uso está destinada la herramienta. No utilice herramientas o dispositivos acoplables de potencia demasiado débil para ejecutar trabajos pesados. La herramienta funcionará mejor y con mayor seguridad al ser utilizada de acuerdo con sus características técnicas.

No fuerce la herramienta.

¡Atención! El uso de otros accesorios, adaptadores, o la propia utilización de la herramienta en cualquier forma diferente de las recomendadas en este manual de instrucciones puede constituir un riesgo de lesiones a las personas.

10. Compruebe que no haya piezas averiadas

Antes de usarla, compruebe cuidadosamente que la herramienta no esté estropeada. Compruebe la posible existencia de piezas móviles mal alineadas o agarratadas, la rotura de piezas, el posible daño de protectores e interruptores y cualquier otro aspecto que pueda afectar a su funcionamiento. Asegúrese de que la herramienta puede funcionar adecuadamente y cumplir con el cometido para el que ha sido diseñada. No use la herramienta si hay alguna pieza defectuosa o averiada. No utilice la herramienta si no es posible apagar y encender el interruptor. Encargue al servicio técnico autorizado que repare o sustituya las piezas defectuosas o averiadas. Jamás intente efectuar las reparaciones usted mismo.

11. Extracción de la batería

Extraiga la batería cuando no esté usando la herramienta, antes de sustituir piezas, accesorios o acoplamientos, y antes de efectuar revisiones.

12. Evite un arranque involuntario

Procure no tocar el conmutador de encendido/apagado mientras transporta la herramienta. Compruebe que la herramienta está desconectada antes de proceder a colocar la batería en la misma.

13. Cuide el cable de alimentación

No lleve la herramienta por el cable, ni tire del cable para desenchar la herramienta. Proteja el cable del calor, del aceite y de los bordes afilados.

14. Guarde las herramientas que no utiliza

Las herramientas, cargadores y baterías que no se utilizan, deben estar protegidos en un lugar seco y cerrado o elevado, fuera del alcance de los niños.

15. Mantenga las herramientas adecuadamente

Mantenga sus herramientas afiladas y limpias para trabajar mejor y más seguro. Siga las instrucciones para el mantenimiento y la sustitución de accesorios.

Mantenga los mandos y conmutadores secos, limpios y libres de aceite y grasa.

16. Reparaciones

Esta herramienta cumple las normas de seguridad aplicables. Las reparaciones deben llevarse a cabo por personal cualificado, usando piezas de recambio originales; en caso contrario, podría ocasionarse un considerable riesgo para el usuario.

Instrucciones de seguridad adicionales para baterías y cargadores

Baterías

- ◆ Nunca, por ningún motivo, trate de abrirla.
- ◆ No exponga la batería al agua.
- ◆ No las almacene en lugares donde la temperatura pueda superar los 40 °C.
- ◆ Cargue las baterías únicamente a temperaturas entre 4 °C y 40 °C.
- ◆ Recargue utilizando únicamente el cargador suministrado con la herramienta.
- ◆ Cuando deseche las baterías, siga las instrucciones indicadas en la sección "Protección del medio ambiente".
- ◆ Bajo condiciones extremas, la batería podría perder líquido. Si observa que la batería ha perdido líquido, proceda del modo siguiente:
 - Limpie cuidadosamente el líquido con un paño. Evite el contacto con la piel.
 - En caso de producirse contacto con la piel o los ojos, siga estas instrucciones.

¡Atención! El líquido de la batería es una solución con un 25-30% de hidróxido de potasio, y puede resultar nocivo. En caso de que entre en contacto con la piel, lávese inmediatamente con agua. Neutralícelo con un ácido suave como zumo de limón o vinagre. En caso de contacto con los ojos, láveselos con abundante agua limpia durante, al menos, 10 minutos. Consulte a un médico.

- ◆ No arroje la batería al fuego.
- ◆ No intente cargar baterías en mal estado.

Cargadores

- ◆ Use el cargador Black & Decker únicamente para cargar baterías del tipo suministrado. Otras baterías podrían estallar, causando daños y lesiones personales.
- ◆ No intente nunca cargar baterías no recargables.
- ◆ Sustituya inmediatamente los cables defectuosos.
- ◆ No exponga el cargador al agua.
- ◆ No abra el cargador.
- ◆ No manipule el cargador.



El cargador está pensado únicamente para su uso en interiores.

Seguridad eléctrica



Su cargador lleva un doble aislamiento; por lo tanto no requiere una toma a tierra. Compruebe siempre que el voltaje de la red corresponde al valor indicado en la placa de características. No intente nunca sustituir el cargador por un enchufe normal a la red.

Instrucciones de seguridad adicionales para recortabordes

Encontrará los siguientes símbolos de advertencia en la herramienta:



Lleve gafas protectoras cuando utilice esta herramienta.



¡Atención! El hilo de corte continuará funcionando durante unos segundos después de desconectar la herramienta. Nunca intente forzar la parada del hilo de corte.



Mantenga a las personas y animales a una distancia mínima de 6 m del área de corte.



No exponga la herramienta a la lluvia o a una humedad elevada.

- ◆ No deje nunca que la herramienta sea utilizada por niños o por personas que no estén familiarizadas con estas instrucciones.
- ◆ Lleve zapatos resistentes o botas para proteger sus pies.
- ◆ Lleve pantalones largos para proteger sus piernas.
- ◆ Antes de utilizar la herramienta y después de un golpe, compruebe si presenta indicios de desgaste o daños y haga que la reparen, si fuera necesario.
- ◆ Antes de usar la herramienta, compruebe que el trayecto de corte está libre de palos, piedras, cables o cualquier otro obstáculo.
- ◆ Use la herramienta únicamente en posición recta, con el hilo de corte próximo al suelo. Nunca encienda la herramienta en ninguna otra posición.
- ◆ Muévase lentamente mientras use la herramienta. Tenga en cuenta que el césped recién cortado está húmedo y resbaladizo.
- ◆ No trabaje en cuestas empinadas. Trabaje a lo ancho de las cuestas, no hacia arriba y abajo.
- ◆ No cruce nunca caminos de grava o carreteras con la herramienta funcionando.

- ◆ Mantenga en todo momento las manos y los pies alejados del hilo de corte, especialmente al poner en marcha el motor.
- ◆ Ponga cuidado para evitar las lesiones que pudiera provocar la cuchilla ribeteadora. Después de colocar un nuevo hilo de corte, siempre ponga la herramienta en su posición de trabajo normal antes de encenderla.
- ◆ No suelte la herramienta hasta que el hilo de corte se haya parado totalmente.
- ◆ Compruebe siempre que las ranuras de ventilación están libres de residuos.
- ◆ Use únicamente el tipo adecuado de hilo de corte. Nunca use hilos de corte o rematadores metálicos.
- ◆ Tenga cuidado de no tocar la cuchilla ribeteadora.
- ◆ No coloque nunca elementos de corte metálicos.
- ◆ Utilice únicamente accesorios y piezas de repuesto Black & Decker.



Indica riesgo de muerte o lesiones a las personas, o daños en el producto en el caso de no atenerse a las instrucciones dadas en este manual.



Antes de iniciar las operaciones, lea el manual.

Vista general

1. Conmutador ON/OFF (encendido/apagado)
2. Botón de desbloqueo
3. Mango principal
4. Mango secundario
5. Pomo del mango
6. Collarín de ajuste del mango
7. Collarín de ajuste de modo
8. Carcasa del motor
9. Protector
10. Cuchilla ribeteadora
11. Guía para ribetear
12. Alojamiento de la bobina
13. Hilo de corte
14. Batería

Fig. A

15. Cargador
16. Indicador de carga
17. Indicador de carga completada

Montaje

¡Atención! Antes de proceder al montaje, extraiga siempre la batería.

Colocación y retirada de la batería (fig. B)

- ◆ Para introducir la batería (14), colóquela en línea con el alojamiento de la herramienta. Deslice la batería en el alojamiento y empújela hasta que encaje en su sitio.
- ◆ Para extraer la batería, presione el botón de liberación (18) al tiempo que retira la batería de su alojamiento.

Montaje de la protección (fig. C)

¡Atención! Nunca ponga en funcionamiento la herramienta si los protectores o blindajes están dañados o no están instalados.

- ◆ Coloque el protector (9) en la herramienta como se indica, alineando los agujeros (19) con las orejetas (20) de la herramienta.
- ◆ Presione la protección hasta que encaje en su sitio (A).
- ◆ Empuje la protección hacia adelante (B).
- ◆ Apriete firmemente los tornillos (21).

¡Atención! No utilice nunca la herramienta sin el protector debidamente montado en su sitio.

Colocación de una nueva bobina de hilo de corte (fig. D)

Encontrará bobinas de hilo de corte de repuesto en su concesionario Black & Decker (cat. no. A6481).

- ◆ Mantenga los topes (22) de la bobina de hilo (23) presionados y retire la tapa de la bobina del alojamiento (12).
- ◆ Retire la bobina de hilo vacía (24) de su alojamiento.
- ◆ Retire la suciedad o residuos del alojamiento.
- ◆ Tome la nueva bobina y desenrolle unos 12 cm de hilo de corte.
- ◆ Introduzca el hilo de corte a través del ojal (25).
- ◆ Empuje la bobina hacia el eje de arrastre (26) y gírela ligeramente hasta que quede acoplada. Asegúrese de que el hilo de corte no queda atrapado bajo la bobina y de que unos 10-12 cm del hilo de corte sobresalen del alojamiento.
- ◆ Alinee los topes de la tapa de la bobina con los orificios del alojamiento.
- ◆ Empuje la tapa sobre el alojamiento hasta que encaje en su sitio.

¡Atención! Si el hilo de corte sobresale más allá de la cuchilla ribeteadora (11), córtelo de forma que llegue justo a la cuchilla.

Enrollado de un nuevo hilo de corte en una bobina vacía (fig. E - G)

Se puede enrollar hilo de corte nuevo en una bobina vacía. Su distribuidor Black & Decker dispone de paquetes con hilo de corte de repuesto (no. cat. A6170 (25 m), A6171 (40 m)).

- ◆ Retire la bobina vacía de la herramienta como se ha descrito anteriormente.

- ◆ Extraiga cualquier resto de hilo de corte de la bobina (27) (fig. E).
- ◆ Introduzca unos 2 cm de hilo de corte en uno de los agujeros (28) de la bobina como se indica (fig. F).
- ◆ Doble el hilo de corte y engánchelo en la ranura con forma de L (29).
- ◆ Enrolle el hilo de corte en la bobina, siguiendo la dirección de la flecha. Asegúrese de enrollar el hilo de corte cuidadosamente, formando capas. Evite que el hilo de corte se entrecruce (fig. G).
- ◆ Cuando el hilo de corte desenrollado alcance las ranuras (30), córtelo. Deje que el hilo de corte sobresalga aprox. unos 12 cm de la bobina y sujételo con un dedo para mantenerlo en su sitio (fig. E).
- ◆ Proceda como se ha descrito anteriormente para colocar la bobina en la herramienta.

¡Atención! Use únicamente el tipo adecuado de hilo de corte Black & Decker.

Uso

¡Atención! Deje que la herramienta funcione a su ritmo. No lo sobrecargue.

Carga de la batería (fig. A)

La batería debe cargarse antes de usarla por primera vez y siempre que no obtenga la suficiente potencia en trabajos que antes efectuaba con facilidad. Cuando cargue la batería por primera vez, o después de un prolongado almacenaje, sólo obtendrá una carga del 80%. Después de varios ciclos de carga y descarga, la batería alcanzará su capacidad máxima. Durante la carga, la batería podría calentarse; esto es normal y no indica ningún problema.

¡Atención! No cargue la batería a una temperatura ambiente inferior a 4 °C o superior a 40 °C. Temperatura recomendada de carga: aprox. 24 °C.

- ◆ Para cargar la batería (14), extráigala de la herramienta e insértela en el cargador (15). La batería encajará en el cargador sólo en un sentido. No la fuerce. Compruebe que la batería está totalmente insertada en el cargador.
- ◆ Enchufe el cargador.

Cargador de 3 horas

La batería estará totalmente cargada en el plazo aproximado de 3 horas. Puede extraerla en cualquier momento o dejarla en el cargador conectado indefinidamente.

Cargador de 1 hora

- ◆ Compruebe que el indicador rojo de carga (16) está encendido. Si en su lugar se enciende el indicador verde de carga (17), entonces la batería está demasiado caliente y no puede cargarse. Si ocurre esto, extraiga la batería del cargador, deje que se enfríe durante 1 hora aproximadamente y vuelva a insertarla.

Después de 1 hora aproximada de carga, el indicador rojo se apagará y se encenderá el indicador verde de carga finalizada. Entonces la batería estará totalmente cargada.

- ◆ Extraiga la batería del cargador.

Ajuste de la posición del mango secundario (fig. H)

El mango secundario (4) puede ajustarse para proporcionar un equilibrio y confort óptimos.

- ◆ Deje que la protección (9) descansa en el suelo.
- ◆ Afloje el pomo del mango (5).
- ◆ Mueva el mango a la posición deseada.
- ◆ Apriete firmemente el pomo del mango.

Ajuste de la altura (fig. I)

El eje telescópico (31) le permite ajustar la herramienta a una altura cómoda.

- ◆ Afloje el collarín (6).
- ◆ Para aumentar la altura, deslice el eje hacia fuera.
- ◆ Para reducir la altura, deslice el eje hacia dentro.
- ◆ Apriete el collarín.

Encendido y apagado (fig. J)

Para su seguridad, esta herramienta viene equipada con un sistema de doble interruptor. Este sistema evita que la herramienta se ponga en marcha inesperadamente.

Encendido

- ◆ Pulse el botón de desbloqueo (2) hacia atrás usando el pulgar y al mismo tiempo apriete el interruptor de encendido/apagado (1).
- ◆ Suelte el botón de desbloqueo.

Apagado

- ◆ Suelte el interruptor de encendido/apagado (1).

¡Atención! No intente nunca bloquear el interruptor en la posición de encendido.

Ajuste de la herramienta en modo de recortabordes o ribeteado (fig. K - M)

La herramienta puede usarse en modo de recortabordes como se indica en la fig. K o en modo de ribeteado para recortar el césped que sobresale de bordes y parterres como se indica en la fig. L.

Modo de recortabordes (fig. K & M)

Para recortar, el cabezal del recortabordes debe estar en la posición indicada en la fig. K. Si no lo está:

- ◆ Mientras sujeta el mango secundario con una mano, tome el collarín (7) con la otra como se indica (fig. K).
- ◆ Empuje el collarín en la dirección del cabezal del recortabordes y gírelo en sentido contrario a las agujas del reloj hasta que el cabezal encaje en la posición de recorte.
- ◆ Suelte el collarín.
- ◆ Ajuste la guía para ribetear (11) en la posición retrasada.

Modo de ribeteado (fig. L & M)

Para ribetear, el cabezal del recortabordes debe estar en la posición indicada en la fig. L. Si no lo está:

- ◆ Mientras sujeta el mango secundario con una mano, tome el collarín (7) con la otra como se indica (fig. L).
- ◆ Empuje el collarín en la dirección del cabezal del recortabordes y gírelo en el sentido de las agujas del reloj hasta que el cabezal encaje en la posición de ribeteado (fig. M).
- ◆ Suelte el collarín.
- ◆ Ajuste la guía para ribetear (11) en la posición retrasada.

Consejos para un uso óptimo

Recorte de bordes

- ◆ Sujete la herramienta como se indica en la fig. K.
- ◆ Bascule suavemente el recortabordes de un lado a otro como se indica en la fig. K.
- ◆ Cuando corte un césped alto, realice el trabajo por etapas empezando por la parte superior.
- ◆ Mantenga la herramienta alejada de objetos duros y plantas delicadas.
- ◆ Si la herramienta empieza a funcionar lentamente, reduzca la carga.

Ribeteado

Los mejores resultados de corte se consiguen en bordes de profundidad superior a 50 mm.

- ◆ No use la herramienta para crear bordes. Para crear bordes, use una azada ribeteadora.
- ◆ Guíe la herramienta como se indica en la fig. L. Mantenga la guía para ribetear contra los bordes del césped.
- ◆ Para un corte más apurado, incline ligeramente la herramienta.

Generalidades

- ◆ Para lograr un corte óptimo, corte únicamente el césped que esté seco.

- ◆ Siempre que le sea posible, mantenga la batería conectada al cargador y el cargador enchufado mientras no esté usando la herramienta.

Mantenimiento

Su herramienta Black & Decker está diseñada para que funcione durante un largo período de tiempo con un mantenimiento mínimo. El funcionamiento satisfactorio continuado depende de un cuidado apropiado y una limpieza periódica de la herramienta.

Su cargador no requiere ningún mantenimiento aparte de una limpieza periódica.

¡Atención! Antes de efectuar cualquier mantenimiento en la herramienta, retire la batería de la herramienta. Desenchufe el cargador antes de limpiarlo.

- ◆ Cuando acabe, desconecte la batería y compruebe si la herramienta presenta daños.
- ◆ Limpie periódicamente las ranuras de ventilación de la herramienta y del cargador con un cepillo suave o un paño seco.
- ◆ Limpie periódicamente la carcasa del motor con un paño húmedo. No utilice ninguna sustancia limpiadora abrasiva o que contenga disolventes.
- ◆ Limpie periódicamente el hilo de corte y la bobina con un cepillo suave o un paño seco.
- ◆ Utilice periódicamente un raspador romo para eliminar la hierba y la suciedad existente debajo de la protección.

Almacenaje

Cuando la herramienta no se usa durante varios meses, resulta muy conveniente dejar la batería conectada al cargador. En caso contrario, proceda del modo siguiente:

- ◆ Cargue totalmente la batería.
- ◆ Extraiga la batería de la herramienta.
- ◆ Guarde la herramienta y la batería en un lugar seco y seguro. La temperatura de almacenamiento siempre debe estar entre +5 °C y +40 °C. Coloque la batería sobre una superficie nivelada.
- ◆ Antes de volver a usar la herramienta tras un almacenamiento prolongado, cargue de nuevo totalmente la batería.

Localización de averías

Si su herramienta no funciona adecuadamente, siga estas instrucciones. Si esto no resuelve el problema, póngase en contacto con el servicio técnico de Black & Decker de su zona.

¡Atención! Antes de continuar, extraiga la batería de la herramienta.

La herramienta funciona lentamente

- ◆ Compruebe que el alojamiento de la bobina puede girar libremente. Límpielo con cuidado si fuera necesario.
- ◆ Compruebe que el hilo de corte no sobresale más de 10-12 cm de la caja de la bobina de hilo. Si así fuera, corte lo que sobre para que llegue justo hasta la cuchilla ribeteadora.

No funciona el avance automático del hilo de corte.

- ◆ Mantenga los topes pulsados y retire la tapa de la bobina del alojamiento.
- ◆ Levante la bobina de hilo aprox. 6 mm y tire del hilo de corte hasta que sobresalga 10-12 cm de la caja. Si no queda suficiente hilo de corte en la bobina, instale uno nuevo como se ha indicado anteriormente.
- ◆ Empuje la bobina de hilo en su sitio y gírela ligeramente hasta que quede acoplada.
- ◆ Alinee los topes de la tapa de la bobina con los orificios del alojamiento.
- ◆ Empuje la tapa sobre el alojamiento hasta que encaje firmemente en su sitio.
- ◆ Si el hilo de corte sobresale más allá de la cuchilla ribeteadora, córtelo para que llegue justo hasta la cuchilla.

Si la alimentación automática del hilo de corte sigue sin funcionar, intente las siguientes sugerencias:

- ◆ Limpie cuidadosamente el alojamiento de la bobina.
- ◆ Retire la bobina de hilo y compruebe que la palanca se mueve libremente.
- ◆ Retire la bobina y desenrolle el hilo de corte, luego enróllelo nuevamente con cuidado como se ha descrito antes. Sustituya la bobina como se indica.

Si la bobina de hilo está atascada

- ◆ Mantenga los topes pulsados y retire la tapa de la bobina del alojamiento.
- ◆ Limpie cuidadosamente el alojamiento de la bobina.
- ◆ Empuje la tapa sobre el alojamiento hasta que encaje firmemente en su sitio.

Protección del medio ambiente



Separación de desechos. Este producto no debe desecharse con la basura doméstica normal.

Si llega el momento de reemplazar su producto Black & Decker o éste ha dejado de tener utilidad para usted, no lo deseché con la basura doméstica normal. Asegúrese de que este producto se deseché por separado.



La separación de desechos de productos usados y embalajes permite que los materiales puedan reciclarse y reutilizarse. La reutilización de materiales reciclados ayuda a evitar la contaminación medioambiental y reduce la demanda de materias primas.

La normativa local puede prever la separación de desechos de productos eléctricos de uso doméstico en centros municipales de recogida de desechos o a través del distribuidor cuando adquiere un nuevo producto.

Black & Decker proporciona facilidades para la recogida y el reciclado de los productos Black & Decker que hayan llegado al final de su vida útil. Para hacer uso de este servicio, devuelva su producto a cualquier servicio técnico autorizado, que lo recogerá en nuestro nombre.

Pueden consultar la dirección de su servicio técnico más cercano poniéndose en contacto con la oficina local de Black & Decker en la dirección que se indica en este manual. Como alternativa, puede consultar en Internet la lista de servicios técnicos autorizados e información completa de nuestros servicios de posventa y contactos en la siguiente dirección:

www.2helpU.com

Baterías



Las baterías Black & Decker pueden recargarse muchas veces. Cuando se agoten, deséchelas respetando las normas de protección del entorno:

- ◆ Utilice la batería hasta que se agote por completo y luego retírela de la herramienta.
- ◆ Las baterías NiCd y NiMH son reciclables. Llévelas a cualquier servicio técnico autorizado o a un centro de reciclado.

Características técnicas

		GLC2500	GLC3000
Voltaje	V_{DC}	18	24
Velocidad sin carga	min^{-1}	6.800	6.800
Peso	kg	1,8	1,8

Batería

Voltaje	V_{DC}	18	24
Capacidad	Ah	1,5	1,2
Peso	kg	0,8	1

Cargador

Voltaje	V_{AC}	230	230
Tiempo aproximado de carga	h	3	3

Declaración de conformidad CE

GLC2500/GLC2500NM/GLC3000

Black & Decker declara que estos productos cumplen las normas siguientes:

98/37/CEE, 89/336/CEE, 73/23/CEE, EN 55014,
EN 60335, EN 61000, 2000/14/CE, EN 786, EN 28662,
EN ISO 3744, EN ISO 11201

Recortadora,

L = 25 cm, Anexo VI, N° 499
SNCH, L-5230 Sandweiler, Luxembourg

Nivel de la presión acústica, medida según EN ISO 3744:

L_{pA} (presión de sonido) 81 dB(A)

L_{WA} (potencia acústica) 92 dB(A)

L_{WA} (garantizado) 96 dB(A)

Valor de la vibración ponderada en mano/brazo según EN 786:

$< 2,5 \text{ m/s}^2$



Kevin Hewitt

Director de Ingeniería del Consumidor
Spennymoor, County Durham DL16 6JG,

Reino Unido

1-11-2004

Para reclamar en garantía, será necesario que presente la prueba de compra al vendedor o al servicio técnico de reparaciones autorizado. Pueden consultar la dirección de su servicio técnico más cercano poniéndose en contacto con la oficina local de Black & Decker en la dirección que se indica en este manual. Como alternativa, se puede consultar en Internet, en la dirección siguiente, la lista de servicios técnicos autorizados e información completa de nuestros servicios de postventa y contactos: **www.2helpU.com**

Visite nuestro sitio web **www.blackanddecker.com** para registrar su nuevo producto Black & Decker y mantenerse al día sobre nuestros productos y ofertas especiales. Encontrará información adicional sobre la marca Black & Decker y nuestra gama de productos en **www.blackanddecker.com**

Garantía

Black & Decker confía plenamente en la calidad de sus productos y ofrece una garantía extraordinaria. Esta declaración de garantía es una añadido, y en ningún caso un perjuicio para sus derechos estatutarios. La garantía es válida dentro de los territorios de los Estados Miembros de la Unión Europea y de los de la Zona Europea de Libre Comercio.

Si un producto Black & Decker resultará defectuoso debido a materiales o mano de obra defectuosos o a la falta de conformidad, Black & Decker garantiza, dentro de los 24 meses de la fecha de compra, la sustitución de las piezas defectuosas, la reparación de los productos sujetos a un desgaste y rotura razonables o la sustitución de tales productos para garantizar al cliente el mínimo de inconvenientes, a menos que:

- ◆ El producto haya sido utilizado con propósitos comerciales, profesionales o de alquiler;
- ◆ El producto haya sido sometido a un uso inadecuado o negligente;
- ◆ El producto haya sufrido daños causados por objetos o sustancias extrañas o accidentes;
- ◆ Se hayan realizado reparaciones por parte de personas que no sean los servicios de reparación autorizados o personal de servicios de Black & Decker;

Utilização

O aparador da Black & Decker foi projectado para aparar e acertar orlas, bem como cortar relva em espaços limitados. Esta ferramenta destina-se apenas ao doméstico.

O carregador Black & Decker foi desenvolvido para carregar a bateria da ferramenta com a qual ele foi fornecido.

Conhecer a ferramenta



- ◆ **Advertência!** Ao utilizar ferramentas alimentadas por bateria, é preciso seguir sempre as precauções básicas de segurança, incluindo as detalhadas a seguir, para diminuir os riscos de incêndio, corrosão das baterias, ferimentos pessoais e danos materiais.
- ◆ Para sua própria segurança e de todos aqueles que estiverem por perto, leia este manual com atenção antes de utilizar a ferramenta.
- ◆ Familiarize-se com os controlos e com a utilização correcta da ferramenta.
- ◆ Antes de utilizar a ferramenta, certifique-se de que sabe como desligá-la em uma emergência.
- ◆ Guarde este manual para futura consulta.

Informações gerais

1. Cuide do ambiente da área de trabalho

Não exponha a ferramenta à chuva. Não utilize a ferramenta em situações onde haja humidade ou água. Utilize a ferramenta apenas durante o dia ou com boa iluminação artificial. Não utilize a ferramenta onde haja risco de fogo ou explosão, p.ex. em presença de líquidos ou gases inflamáveis. Mantenha a área de trabalho livre de escombros e obstáculos.

2. Mantenha as crianças afastadas

Não permita que crianças, visitantes ou animais cheguem perto da área de trabalho ou toquem na ferramenta.

3. Vista-se de maneira apropriada

Não use vestuário largo nem jóias porque podem prender-se numa peça móvel. Quando se trabalha no exterior, é de aconselhar o uso de luvas de borracha e de calçado antiderrapante. Cubra o cabelo se tiver cabelo comprido.

4. Protecção pessoal

Utilize óculos de protecção. Utilize óculos de protecção e uma máscara de rosto ou poeira sempre que as operações possam produzir poeira ou partículas que voem. Utilize protector de ouvidos sempre que o nível de ruído pareça ser incómodo.

5. Verifique a sua posição

Mantenha sempre o equilíbrio.

6. Esteja atento

Dê atenção ao que vai fazendo. Trabalhe com precaução. Não utilize ferramentas quando estiver cansado.

7. Segure firmemente as peças a trabalhar

Utilize grampos ou um torno para segurar as peças de trabalho. É mais seguro e permite manter as duas mãos livres para trabalhar.

8. Tire as chaves de aperto

Verifique sempre se as chaves de aperto foram retiradas da ferramenta antes de a utilizar.

9. Utilize a ferramenta apropriada.

Neste manual indicam-se as aplicações da ferramenta. Não force pequenas ferramentas ou acessórios para fazer o trabalho numa ferramenta forte. A ferramenta trabalhará melhor e de uma maneira mais segura se for utilizada para o efeito indicado. Não force a ferramenta.

Advertência! O uso de qualquer acessório ou da própria ferramenta, além do que é recomendado neste manual de instruções pode dar origem a risco de ferimento.

10. Verifique se há peças danificadas.

Antes do uso, verifique cuidadosamente se a ferramenta está danificada. Verifique o tamanho das peças móveis e se as mesmas estão alinhadas; verifique se há alguma peça partida, se as protecções e os interruptores estão danificados, bem como quaisquer outras condições que possam afectar o funcionamento da ferramenta. Assegure-se de que a ferramenta funcione correctamente e de que esteja a desempenhar as funções para as quais foi projectada. Não utilize a ferramenta se houver alguma peça defeituosa. Não utilize a ferramenta se o interruptor não estiver a funcionar para ligar ou desligar. Qualquer peça defeituosa ou danificada deverá ser reparada ou substituída por um técnico autorizado. Nunca tente efectuar qualquer reparação por sua conta.

11. Remova a bateria.

Remova a bateria quando a ferramenta não estiver em uso, antes de trocar qualquer peça da ferramenta, acessórios ou anexos e antes de enviar ao serviço técnico.

12. Evite ligar acidentalmente

Não transporte a ferramenta com um dedo sobre o interruptor liga/desliga. Certifique-se de que a ferramenta esteja desligada quando for inserir a bateria.

13. Não force o cabo eléctrico

Nunca transporte a ferramenta pelo cabo e não puxe pelo cabo para tirar a ficha da tomada. Proteja o cabo contra o calor e evite o contacto com óleo e objectos cortantes.

14. Guarde as ferramentas que não estiverem a ser utilizadas.

Quando não estiverem em uso, as ferramentas e baterias devem ser armazenadas num local seco, fora do alcance de crianças.

15. Cuide das suas ferramentas com atenção

Mantenha as ferramentas cortantes afiadas e limpas para um melhor e mais seguro desempenho. Siga as instruções para a manutenção e a troca de acessórios. Mantenha os punhos e os interruptores secos, limpos e isentos de óleo e gordura.

16. Reparos

Esta ferramenta cumpre os requisitos de segurança pertinentes. As reparações devem ser realizadas somente por pessoas qualificadas e as peças de reposição devem ser originais. A não observância disso poderá resultar em perigos consideráveis para os utilizadores.

Instruções adicionais de segurança para baterias e carregadores

Baterias

- ◆ Nunca tente abrir a bateria seja qual for a razão.
- ◆ Não deixe que a bateria entre em contacto com a água.
- ◆ Não armazene em locais onde a temperatura possa exceder 40 °C.
- ◆ Carregue somente à temperatura ambiente entre 4 °C e 40 °C.
- ◆ Carregue somente utilizando o carregador fornecido com a ferramenta.
- ◆ Quando se desfizer das baterias, siga as instruções fornecidas na secção "Protecção do meio ambiente".
- ◆ Sob condições extremas, é possível que a bateria apresente corrosão. Quando notar que há líquido na bateria, proceda da seguinte maneira:
 - Limpe o líquido cuidadosamente utilizando um pano. Evite o contacto com a pele.
 - Em caso de contacto com a pele ou com os olhos, siga as instruções abaixo.

Advertência! O líquido da bateria, uma solução de hidróxido de potássio de 25-30%, pode ser nocivo. Em caso de contacto com a pele, lave imediatamente com água. Neutralize com um ácido suave, como sumo de limão ou vinagre. Em caso de contacto com os olhos, enxagúe abundantemente com água limpa durante 10 minutos. Consulte um médico.

- ◆ Não exponha a bateria ao fogo.
- ◆ Não tente carregar baterias danificadas.

Carregadores

- ◆ Utilize seu carregador Black & Decker somente para carregar as baterias do tipo fornecido com sua ferramenta. Outras baterias poderiam explodir causando danos pessoais e estragos.
- ◆ Nunca tente carregar baterias não recarregáveis.
- ◆ Substitua os cabos defeituosos imediatamente.
- ◆ Não deixe que o carregador entre em contacto com a água.
- ◆ Não abra o carregador.
- ◆ Não submeta o carregador a testes.

Segurança eléctrica



O seu carregador está duplamente vedada; assim não é necessário fio de terra. Verifique sempre se a voltagem eléctrica corresponda à indicada na placa de especificação eléctrica. Nunca tente substituir o carregador por uma tomada de energia normal.

Instruções adicionais de segurança para aparadores de relva

Os símbolos de advertência a seguir encontram-se na ferramenta:



Utilize óculos de segurança durante o funcionamento da ferramenta.



Advertência! Desligada a ferramenta, o fio de nylon continuará a funcionar por alguns segundos. Nunca tente forçar a sua paralisação.



Mantenha as pessoas a uma distância mínima de 6 m da área de corte.



Não exponha a ferramenta à chuva e humidade excessiva.

- ◆ Crianças ou qualquer pessoa que não tenha lido este manual de instruções ou não esteja familiarizada com a ferramenta não a deverá utilizar.
- ◆ Utilize botas ou sapatos resistentes para proteger os pés.
- ◆ Vista calças compridas para proteger as pernas.
- ◆ Antes de utilizar a ferramenta, verifique se esta apresenta sinais de desgaste ou danos e repare-a se necessário.
- ◆ Antes de utilizar a ferramenta, verifique se o percurso de corte está livre de gravetos, pedras, arame e quaisquer outros obstáculos.
- ◆ Utilize a ferramenta apenas na posição vertical, com o fio de nylon próximo ao solo. Nunca a ligue em qualquer outra posição.
- ◆ Mova-se devagar ao utilizá-la. Lembre-se que relva recém-cortada é húmida e escorregadia.
- ◆ Não trabalhe em declives. Trabalhe transversalmente, nunca em direcção ascendente e descendente.
- ◆ Nunca atravesse caminhos ou estradas com pedregulhos durante o funcionamento da ferramenta.
- ◆ Mantenha sempre as mãos e os pés afastados do fio de nylon, especialmente aquando da ligação do motor.
- ◆ Cuidado para não se ferir com a lâmina limitadora. Após estender o fio de nylon novo, coloque sempre a ferramenta de volta à sua posição normal de funcionamento antes de ligá-la.
- ◆ Não coloque a ferramenta em posição horizontal a menos que o fio de nylon esteja completamente parado.



O carregador destina-se apenas ao uso doméstico.

- ◆ Mantenha sempre as ranhuras de ventilação limpas.
- ◆ Utilize apenas o tipo adequado de fio de nylon. Nunca utilize fio de metal ou linha de pesca.
- ◆ Cuidado para não tocar na lâmina limitadora do fio de nylon.
- ◆ Nunca coloque elementos de corte metálicos.
- ◆ Utilize apenas peças de reposição e acessórios Black & Decker.



Indica risco de danos pessoais ou materiais gerados pela não-observância das instruções contidas no manual.



Leia o manual antes de utilizar o produto.

Visão geral

1. Interruptor de ligar/desligar
 2. Botão de travamento
 3. Punho principal
 4. Punho secundário
 5. Botão do punho secundário
 6. Anel de ajuste do punho
 7. Anel de ajuste de modo
 8. Compartimento do motor
 9. Resguardo
 10. Lâmina limitadora do fio de nylon
 11. Guia de acerto de orlas
 12. Compartimento da bobina
 13. Fio de nylon
 14. Bateria
15. Carregador
 16. Indicador de carga
 17. Indicador de carga completa

Fig. A

Montagem

Advertência! Antes da montagem, retire a bateria.

Colocação e remoção da bateria (fig. B)

- ◆ Para colocar a bateria (14), alinhe-a com o receptáculo na ferramenta. Deslize a bateria no receptáculo e empurre-a até que ela encaixe no lugar.
- ◆ Para removê-la, prima os dois botões de fixação (18) e puxe a bateria para fora do receptáculo.

Instalação do resguardo (fig. C)

Advertência! Nunca opere a ferramenta com os resguardos ou protecções danificados ou sem os mesmos colocados.

- ◆ Coloque o resguardo (9) na ferramenta conforme o demonstrado, alinhando os orifícios (19) no mesmo com as linguetas (20) da ferramenta.
- ◆ Carregue no resguardo até que se encaixe no local (A).
- ◆ Empurre-o para frente (B).
- ◆ Aperte bem os parafusos (21).

Advertência! Nunca utilize a ferramenta se o resguardo não estiver bem instalado.

Instalação de uma nova bobina de fio de nylon (fig. D)

É possível obter bobinas de reposição de fio de nylon com o seu distribuidor Black & Decker (ref. no. A6481).

- ◆ Mantenha carregadas as linguetas (22) e remova a tampa da bobina (23) do compartimento (12).
- ◆ Remova a bobina vazia (24) do compartimento.
- ◆ Remova toda a sujidade e relva.
- ◆ Pegue a bobina nova e desenrole aprox. 12 cm do fio de nylon.
- ◆ Passe-o através da abertura (25).
- ◆ Carregue na bobina no eixo de transmissão (26) e gire-a com cuidado até que esteja acomodada. Certifique-se de que o fio não esteja preso sob a bobina e que 10-12 cm de fio estejam para fora do compartimento.
- ◆ Alinhe as linguetas da tampa da bobina com os orifícios do compartimento.
- ◆ Carregue na tampa, colocando-a no compartimento até que se encaixe firmemente no local.

Advertência! Se o fio de nylon ultrapassar a lâmina limitadora (11), corte-o de forma que apenas a alcance.

Colocação de fio novo numa bobina vazia (fig. E - G)

É possível colocar fio de nylon novo numa bobina vazia.

Adquira pacotes de reposição de fio de nylon com o seu distribuidor da Black & Decker (ref. no. A6170 (25 m), A6171 (40 m)).

- ◆ Remova a bobina vazia da ferramenta conforme descrição acima.
- ◆ Remova todo o fio da bobina (27) (fig. E).
- ◆ Coloque 2 cm de fio num dos orifícios (28) da bobina conforme o demonstrado (fig. F).
- ◆ Dobre o fio e prenda-o na ranhura em forma de L (29).
- ◆ Enrole-o na mesma, na direcção da seta. Assegure-se de enrolar o fio cuidadosamente e em camadas. Não o cruze (fig. G).
- ◆ Quando o fio enrolado atingir as ranhuras (30), corte-o. Deixe pelo menos 12 cm de fio desenrolado da bobina e segure o fio com um dedo para mantê-lo no local (fig. E).
- ◆ Proceda da forma descrita acima para instalar a bobina na ferramenta.

Advertência! Utilize apenas o tipo adequado de fio de nylon da Black & Decker.

Utilização

Advertência! Deixe que a ferramenta funcione à vontade. Não o sobrecarregue.

Carregar a bateria (fig. A)

A bateria precisa ser carregada antes da primeira utilização e sempre que falhe em produzir potência suficiente para realizar trabalhos que antes eram facilmente realizados. Quando estiver a carregar a bateria pela primeira vez, ou após armazenamento prolongado, ela aceitará somente 80% da carga. Após vários ciclos de carga e descarga, a bateria atingirá sua capacidade total. A bateria pode ficar quente enquanto estiver a carregar; isto é normal e não indica um problema.

Advertência! Não carregue a bateria a temperaturas ambientes inferiores a 4 °C ou superiores a 40 °C. A temperatura recomendada para carregar é de aproximadamente 24 °C.

- ◆ Para carregar a bateria (14), remova-a da ferramenta e insira-a no carregador (15). A bateria só encaixará no carregador de um modo. Não force. Esteja seguro de que a bateria está completamente encaixada no carregador.
- ◆ Ligue o carregador à corrente eléctrica.

Carregador de 3 horas

A bateria estará completamente carregada em aproximadamente 3 horas. Ela pode ser removida a qualquer momento ou ser deixada no carregador conectado indefinidamente.

Carregador de 1 hora

- ◆ Verifique se o indicador vermelho de carregamento (16) se acende. Se em vez disso o indicador verde de final de carregamento (17) se acender, a bateria está muito quente e não pode ser carregada. Se isso acontecer, remova a bateria do carregador, deixe-a esfriar por aproximadamente 1 hora e insira-a de novo.

Depois de aproximadamente 1 hora de carregamento, o indicador vermelho de carga se apagará e o indicador verde de final de carregamento se acenderá. A bateria estará então completamente carregada.

- ◆ Remova a bateria do carregador.

Ajuste da posição do punho secundário (fig. H)

É possível ajustar o punho secundário (4) para fornecer um óptimo equilíbrio e conforto.

- ◆ Coloque o resguardo (9) no solo.
- ◆ Solte o botão do punho (5).
- ◆ Incline o punho colocando-o na posição desejada.

- ◆ Aperte firmemente o botão.

Ajuste da altura (fig. I)

O veio telescópico (31) permite-lhe ajustar a ferramenta a uma altura confortável.

- ◆ Desperte o anel (6).
- ◆ Para aumentar a altura, retire o veio.
- ◆ Para diminuir a altura, retire o veio.
- ◆ Aperte o anel.

Como ligar e desligar a ferramenta (fig. J)

Para sua segurança, esta ferramenta é equipada com um sistema de comutação. Este sistema evita que a ferramenta seja ligada inadvertidamente.

Como ligar a ferramenta

- ◆ Empurre o botão de travamento (2) para trás com o dedo polegar e carregue, ao mesmo tempo, na chave liga/desliga (1).
- ◆ Solte o botão de destravamento.

Como desligar a ferramenta

- ◆ Solte a chave liga/desliga (1).

Advertência! Nunca tente travar a chave na posição ligada.

Ajuste da ferramenta no modo de apara ou acerto de orlas (fig. K - M)

É possível utilizar a ferramenta no modo de apara conforme a fig. K ou no modo de acerto de orlas para aparar excesso de relva ao longo de orlas e canteiros de flores, conforme demonstrado na fig. L.

Modo de apara (fig. K & M)

Para aparar, a cabeça do aparador deverá estar na posição demonstrada na fig. K. Caso contrário:

- ◆ Segure a alça secundária com uma das mãos e segure no anel (7) com a outra, conforme o demonstrado (fig. K).
- ◆ Carregue no anel na direcção da cabeça do aparador e gire-o no sentido contrário dos ponteiros do relógio até que a cabeça se encaixe na posição de apara (fig. M).
- ◆ Solte o anel.
- ◆ Ajuste a guia de acerto de orlas (11) na posição retraída.

Modo de acerto de orlas (fig. L & M)

Para acertar orlas, a cabeça do aparador deverá estar na posição demonstrada na fig. L. Caso contrário:

- ◆ Segure a alça secundária com uma das mãos e segure no anel (7) com a outra, conforme o demonstrado (fig. L).
- ◆ Carregue no anel na direcção da cabeça do aparador e gire-o no sentido dos ponteiros do relógio até que a cabeça se encaixe na posição de apara (fig. M).

- ◆ Solte o anel.
- ◆ Ajuste a guia de acerto de orlas (11) na posição retraída.

Sugestões para uma melhor utilização

Apara

- ◆ Segure a ferramenta conforme a fig. K.
- ◆ Incline-a com cuidado de um lado para o outro, conforme a fig. K.
- ◆ Ao cortar relva longa, trabalhe em etapas, partindo do topo.
- ◆ Mantenha-a afastada de objectos duros e plantas delicadas.
- ◆ Se a ferramenta começar a funcionar lentamente, reduza a carga.

Acerto de orlas

É possível alcançar resultados de corte excelentes em orlas com mais de 50 mm de profundidade.

- ◆ Não utilize a ferramenta para criar orlas. Para tal, utilize uma pá de acerto de orlas.
- ◆ Guie a ferramenta conforme a fig. L. Mantenha a guia contra a orla.
- ◆ Para efectuar um corte mais aproximado, incline levemente a ferramenta.

Informações gerais

- ◆ Para obter óptimos resultados, corte apenas relva seca.
- ◆ Se possível, mantenha a bateria ligada ao carregador e este ligado sempre que a ferramenta não estiver em uso.

Manutenção

Esta ferramenta Black & Decker foi desenvolvida para funcionar por um longo período, com um mínimo de manutenção.

O funcionamento contínuo e satisfatório depende da limpeza regular e cuidado adequado da ferramenta.

O seu carregador não requer qualquer manutenção além de sua limpeza regular.

Advertência! Antes de executar qualquer manutenção na ferramenta, remova a bateria da ferramenta. Desligue o carregador de bateria antes de limpar o aparelho.

- ◆ Após a utilização, desligue a bateria e verifique se a ferramenta apresenta danos.
- ◆ Limpe regularmente as fendas de ventilação na ferramenta e no carregador utilizando uma escova macia ou pano seco.
- ◆ Limpe regularmente o compartimento do motor utilizando um pano húmido. Não utilize nenhum limpador abrasivo ou de base solvente.
- ◆ Limpe regularmente o fio de nylon e a bobina com uma escova macia ou um pano seco.

- ◆ Utilize regularmente uma espátula sem corte para remover relva e sujeira da parte inferior do resguardo.

Armazenamento

Caso não utilize a ferramenta por vários meses, o ideal é deixar a bateria ligada ao carregador. Caso contrário, proceda da seguinte forma:

- ◆ Carregue totalmente a bateria.
- ◆ Remova a bateria da ferramenta.
- ◆ Guarde a ferramenta e a bateria num local seco e seguro. A temperatura de armazenagem deve permanecer na faixa de +5 °C a +40 °C. Coloque a bateria numa superfície horizontal.
- ◆ Antes de utilizar o aparador após um longo período sem funcionamento, carregue novamente a bateria.

Resolução de problemas

Se a sua ferramenta não estiver a funcionar adequadamente, siga as instruções abaixo. Caso o problema não seja resolvido dessa maneira, entre em contacto com um centro de assistência técnica da Black & Decker.

Advertência! Antes de proceder, remova a bateria.

O aparador está lento

- ◆ Verifique se o compartimento da bobina pode girar livremente. Limpe-o com cuidado, se necessário.
- ◆ Verifique se o fio de nylon não se estende além de 10-12 cm do compartimento da bobina. Neste caso, corte-o de forma que apenas alcance a lâmina limitadora.

Alimentação automática de fio não funciona

- ◆ Carregue nas linguetas, segure-as e remova a tampa do compartimento.
- ◆ Erga a bobina aprox. 6 mm e puxe o fio até que 10-12 cm do mesmo saiam do compartimento. Se não houver fio suficiente na bobina, instale uma nova conforme instruções acima.
- ◆ Coloque a bobina de volta ao local e gire-a levemente até que esteja acomodada.
- ◆ Alinhe as linguetas da tampa da bobina com os orifícios do compartimento.
- ◆ Carregue na tampa, colocando-a no compartimento até que se encaixe firmemente no local.
- ◆ Se o fio ultrapassar a lâmina limitadora, corte-o de forma que apenas a alcance.

Se a alimentação automática de fio ainda não funcionar, tente as sugestões a seguir:

- ◆ Limpe com cuidado o compartimento da bobina.
- ◆ Remova-a e verifique se a alavanca se move livremente.

- ◆ Remova a bobina, desenrole o fio de nylon e enrole-o novamente de forma ordenada, conforme descrição acima. Recoloque-a conforme instruções.

A bobina está obstruída

- ◆ Carregue nas linguetas, segure-as e remova a tampa do compartimento.
- ◆ Limpe com cuidado o compartimento da bobina.
- ◆ Carregue na tampa, colocando-a no compartimento até que se encaixe firmemente no local.

Protecção do meio ambiente



Recolha em separado. Não deve deitar este produto fora juntamente com o lixo doméstico normal.

Caso chegue o momento em que um dos seus produtos Black & Decker precise de ser substituído ou decida desfazer-se do mesmo, não o deite fora juntamente com o lixo doméstico. Torne este produto disponível para uma recolha em separado.



A recolha em separado de produtos e embalagens utilizados permite que os materiais sejam reciclados e reutilizados. A reutilização de materiais reciclados ajuda a evitar a poluição ambiental e a reduzir a procura de matérias-primas.

Os regulamentos locais poderão providenciar a recolha em separado de produtos eléctricos junto das casas, em lixeiras municipais ou junto dos fornecedores ao adquirir um novo produto.

A Black & Decker oferece um serviço de recolha e reciclagem de produtos Black & Decker que tenha atingido o fim das suas vidas úteis. Para tirar proveito deste serviço, devolva seu produto a qualquer agente de reparação autorizado, que se encarregará de recolher o equipamento em nosso nome.

Para verificar a localização do agente de reparação mais próximo de si, contacte o escritório local da Black & Decker no endereço indicado neste manual. Se preferir, consulte a lista de agentes autorizados da Black & Decker e os dados completos dos nossos serviços de atendimento pós-venda na Internet no endereço: www.2helpU.com

Baterias



As baterias Black & Decker podem ser recarregadas inúmeras vezes. Quando atingirem o fim das suas vidas úteis, deite-as fora com o devido cuidado com o nosso meio ambiente.

- ◆ Descarregue completamente a bateria e remova-a do aparelho.
- ◆ As baterias NiCd e NiMH são recicláveis. Entregue-as em qualquer agente de reparação autorizado ou numa estação de reciclagem local.

Dados técnicos

		GLC2500	GLC3000
Voltagem	V_{DC}	18	24
Velocidade sem carga	min^{-1}	6.800	6.800
Peso	kg	1,8	1,8

Bateria

Voltagem	V_{DC}	18	24
Capacidade	Ah	1,5	1,2
Peso	kg	0,8	1

Carregador

Voltagem	V_{AC}	230	230
Tempo aproximado de carregamento	h	3	3

Declaração de conformidade CE

GLC2500/GLC2500NM/GLC3000

A Black & Decker declara que estes produtos estão em conformidade com a:

98/37/CEE, 89/336/CEE, 73/23/CEE, EN 55014, EN 60335, EN 61000, 2000/14/CEE, EN 786, EN 28662, EN ISO 3744, EN ISO 11201

Cortador de relva, L = 25 cm, Anexo VI, N° 499
SNCH, L-5230 Sandweiler, Luxembourg

Nível de potência sonora, medido de acordo com a norma EN ISO 3744:

L_{pA} (pressão acústica) 81 dB(A)

L_{WA} (potência acústica) 92 dB(A)

L_{WA} (com garantia) 96 dB(A)

Valor de vibração calculado na mão/braço de acordo com a norma EN 786: < 2,5 m/s^2

Kevin Hewitt

Director de Engenharia do Consumo
Spennymoor, County Durham DL16 6JG,

Reino Unido

1-11-2004

Garantia

A Black & Decker confia na qualidade de seus produtos e oferece um programa de garantia excelente. Esta declaração de garantia soma-se aos seus direitos legais e não os prejudica em nenhum aspecto. A garantia será válida nos territórios dos Estados Membros da União Europeia e na Área de Livre Comércio da Europa.

Caso algum produto da Black & Decker apresente avarias devido a defeitos de material, mão-de-obra ou ausência de conformidade no prazo de 24 meses a partir da data de compra, a Black & Decker garantirá a substituição das peças defeituosas, a reparação dos produtos que foram submetidos a uso adequado e remoção ou substituição dos mesmos para assegurar o mínimo de inconvenientes ao cliente a menos que:

- ◆ O produto tenha sido utilizado para fins comerciais, profissionais ou aluguer;
- ◆ O produto tenha sido submetido a uso incorrecto ou descuido;
- ◆ O produto tenha sofrido danos causados por objectos estranhos, substâncias ou acidentes;
- ◆ Tenha um histórico de reparações efectuadas por terceiros que não sejam os agentes autorizados ou profissionais de manutenção da Black & Decker.

Para activar a garantia, será necessário enviar a prova de compra ao revendedor ou agente de reparação autorizado.

Para verificar a localização do agente de reparação mais próximo de si contacte o escritório local da Black & Decker no endereço indicado neste manual. Se preferir, consulte a lista de agentes autorizados da Black & Decker e os dados completos de nossos serviços de atendimento pós-venda na Internet no endereço: **www.2helpU.com**

Visite o nosso website **www.blackanddecker.com** para registar o seu novo produto Black & Decker e para se manter actualizado sobre novos produtos e ofertas especiais.

Estão disponíveis mais informações sobre a Black & Decker e sobre a nossa gama de produtos em

www.blackanddecker.com

Användningsområde

Din Black & Decker grässtrimmare är avsedd för trimning och kantklippning av gräsmattor och för gräsklippning på svåråtkomliga ställen.

Verktyget är endast avsett som konsumentverktyg.

Din Black & Decker laddare är avsedd för laddning av batteriet i det medföljande verktyget.

Lär känna verktyget



- ◆ **Varning!** När man använder batteridrivna verktyg är det viktigt att man bl.a. följer nedanstående säkerhetsanvisningar för att minska risken för brand, batteriläckage, personskador och materialskador.
- ◆ För din egen och omgivningens säkerhet bör du läsa dessa anvisningar noggrant innan du använder verktyget.
- ◆ Bekanta dig med reglagen och hur verktyget ska användas.
- ◆ Var säker på att du vet hur man stänger av verktyget innan du börjar använda det.
- ◆ Behåll bruksanvisningen för framtida bruk.

Allmänt

1. Tänk på arbetsomgivningens inflytande

Utsätt inte verktyget för regn. Använd inte verktyget på fuktiga eller våta platser. Använd verktyget endast vid dagsljus eller bra belysning. Använd inte verktyget där det finns risk för eldsvåda eller explosion, t.ex. i närheten av lättantändliga vätskor eller gaser. Håll arbetsplatsen i ordning.

2. Utom räckhåll för barn

Tillåt inte barn, besökande eller djur att komma i närheten av arbetsplatsen eller att vidröra verktyget.

3. Klä dig rätt

Bär inte löst hängande kläder eller smycken. De kan fastna i rörliga delar. Gummihandskar och halkfria skor rekommenderas vid utomhusarbeten. Använd hårnät om du har långt hår.

4. Personskydd

Använd alltid skyddsglasögon. Använd ansiktsmask om arbetet försäkras damm eller partiklar i luften. Använd hörselskydd om du besväras av ljudnivån.

5. Sträck dig inte för mycket

Se till att du alltid har säkert fotfäste och balans.

6. Var uppmärksam

Titta på det du gör. Använd sunt förnuft. Använd inte verktyget när du är trött.

7. Sätt fast arbetsstycket

Använd skruvtingar eller ett skruvstycke för att hålla fast arbetsstycket. Det är säkrare än att använda handen och du får bägge händerna fria för arbetet.

8. Tag bort nycklar

Kontrollera att nycklar och justerverktyg har tagits bort från verktyget innan det startas.

9. Använd rätt verktyg

Verktygets avsedda bruk beskrivs i denna bruksanvisning. Tvinga inte verktyget att göra arbeten som är avsedda för kraftigare verktyg. Verktyget utför arbetet bättre och säkrare i den takt det är avsett för. Överbelasta inte verktyget.

Varning! Bruk av tillbehör eller tillsatser, eller utförande av någon verksamhet med detta verktyg, som inte rekommenderas i denna bruksanvisning kan innebära risk för personskada.

10. Syna verktyget på skador

Kontrollera verktyget på skador före bruk. Kontrollera på felriktade eller fastnade rörliga delar, brustna delar, skadade skydd eller omkopplare och alla andra förhållanden som kan påverka verktygets funktion. Kontrollera att verktyget fungerar riktigt och kan utföra de avsedda funktionerna. Använd inte verktyget om fel uppstår på någon av dess delar. Använd inte verktyget om det inte kan kopplas till och från med strömbrytaren. Om fel uppstår ska delarna repareras eller bytas ut av en auktoriserad Black & Decker serviceverkstad. Försök aldrig reparera verktyget själv.

11. Tag ur batteriet

Om konstruktionen tillåter att batteriet avlägsnas, ska detta alltid ske när verktyget inte är i bruk, före byte av delar, tillbehör eller tillsatser och innan underhåll utförs.

12. Undvik oavsiktlig start

Bär aldrig verktyget med ett finger på strömbrytaren. Se till att verktyget är avstängt när du sätter i batteriet i verktyget.

13. Misshandla inte sladden

Bär aldrig laddaren i sladden och använd inte sladden för att dra ut kontakten. Utsätt inte sladden för värme, olja eller skarpa kanter.

14. Förvara verktyg säkert

Verktyg, batterier och laddare ska när de inte används förvaras på en torr, låst eller hög plats, utom räckhåll för barn.

15. Sköt verktyget med omsorg

Håll skärande verktyg skarpa och rena för bättre prestanda och säkrare drift. Följ anvisningarna för underhåll och byte av tillbehör. Håll handtagen och strömbrytare torra, rena och fria från olja och fett.

16. Reparationer

Detta verktyg uppfyller gällande säkerhetskrav. Reparationer ska utföras av en auktoriserad Black & Decker serviceverkstad som använder originaldelar, annars kan användaren utsättas för stor fara.

Extra säkerhetsföreskrifter för batterier och laddare

Batterier

- ◆ Försök aldrig öppna batteriet.
- ◆ Utsätt inte batteriet för vatten.

- ◆ Förvara inte batteriet i utrymmen där temperaturen kan överstiga 40 °C.
- ◆ Ladda endast inom temperaturområdet 4 °C till 40 °C.
- ◆ Ladda endast med laddaren som medföljer.
- ◆ När batterierna kasseras ska instruktionerna i kapitlet "Miljö" följas.
- ◆ Under extrema förhållanden kan batteriläckage uppstå. Om du upptäcker vätska från batteriet skall följande iakttagas:
 - Torka försiktigt bort vätskan med en trasa. Undvik kontakt med huden.
 - Vid kontakt med huden eller ögonen skall instruktionerna nedan följas.

Varning! Batterivätskan, en 25-30 % lösning av kaliumhydroxid, kan vara skadlig. Vid kontakt med huden, skölj omedelbart med vatten. Neutralisera med en svag syra, t ex citronjuice eller ättika. Om syran kommer i kontakt med ögonen, skölj rikligt med rent vatten i minst 10 minuter. Kontakta läkare.

- ◆ Utsätt inte batteriet för eld.
- ◆ Försök aldrig ladda ett skadat batteri.

Laddare

- ◆ Använd Black & Decker-laddaren endast tillsammans med det batteri som medföljer verktyget. Andra typer av batterier kan explodera och förorsaka person- och materialskadorna.
- ◆ Försök aldrig ladda icke-uppladdningsbara batterier.
- ◆ Byt genast ut skadade sladdar.
- ◆ Utsätt inte laddaren för vatten.
- ◆ Öppna inte laddaren.
- ◆ Gör ingen åverkan på laddaren.



Laddaren är endast avsedd för inomhusanvändning.

Elektrisk säkerhet



Laddaren är dubbelisolerad; jordledare är således överflödigt. Kontrollera alltid att nätspänningen överensstämmer med märkplåten. Försök aldrig att ersätta laddningsenheten med en vanlig nätkontakt.

Tillkommande säkerhetsanvisningar för grästrimmare

Följande varningssymboler finns på verktyget:



Använd skyddsglasögon under arbetet med maskinen.



Varning! Trimtråden stannar först några sekunder efter det att verktyget har stängts av. Försök aldrig tvinga trimtråden att stanna.



Tillåt inte barn och djur att uppehålla sig närmare arbetsområdet än 6 meter.



Undvik att utsätta verktyget för regn och hög luftfuktighet.

- ◆ Låt aldrig barn eller personer som inte har läst denna bruksanvisning använda verktyget.
- ◆ Skydda fötterna genom att bära kraftiga skor eller stövlar.
- ◆ Bär långbyxor för att skydda benen.
- ◆ Om verktyget har utsatts för stötar, får det inte användas förrän det har kontrollerats på skada och slitage och vid behov reparerats.
- ◆ Innan du börjar arbeta ska du kontrollera att arbetsområdet är fritt från pinnar, stenar, ståltrådar och andra föremål.
- ◆ Verktyget ska hållas lodrätt när det används, med trimtråden nära marken. Starta aldrig verktyget i något annat läge.
- ◆ Rör dig långsamt när du använder verktyget. Tänk på att nyklippt gräs är fuktigt och halt.
- ◆ Arbeta inte i branta sluttningar. Arbeta i sidled i sluttningar – inte uppåt och nedåt.
- ◆ Gå aldrig över en grusgång med verktyget igång.
- ◆ Håll alltid händer och fötter borta från trimtråden, i synnerhet när motorn startas.
- ◆ Se till att du inte skadar dig på skärbladet. När ny trimtråd har dragits fram, måste verktyget alltid återställas till sitt vanliga driftsläge innan det startas.
- ◆ Lägg inte ner verktyget förrän trimtråden har stannat helt.
- ◆ Håll alltid ventilationsspringorna fria från smuts och skräp.
- ◆ Använd endast rätt typ av trimtråd. Använd aldrig trimtråd av metall eller fiskelina.
- ◆ Var noga med att inte vidröra skärbladet för trimtråden.
- ◆ Montera aldrig skärelement av metall.
- ◆ Använd endast Black & Decker reservdelar och tillbehör.



Anger risk för personskada, livsfara eller skada på verktyg om du inte följer instruktionerna i bruksanvisningen.



Läs bruksanvisningen innan du använder verktyget.

Översikt

1. Strömbrytare
2. Låsknapp
3. Huvudhandtag
4. Stödhandtag
5. Handtagsskruv
6. Justeringshylsa handtag
7. Väljarhylsa arbetsläge
8. Motorhus

9. Skydd
10. Skärblad för trimtråd
11. Styrskena
12. Spolhus
13. Trimtråd
14. Batteri

Fig. A

15. Laddare
16. Laddningsindikator - laddning pågår
17. Laddningsindikator - full laddning

Montering

Varning! Avlägsna alltid batteriet före montering.

Montering och borttagning av batteri (fig. B)

- ◆ Montera batteriet (14) genom att rikta det efter hållaren på verktyget. Skjut sedan in batteriet i hållaren tills det snäpper fast.
- ◆ Tag ut batteriet genom att trycka på knappen (18) och dra ut det ur hållaren.

Montering av skyddet (fig. C)

Varning! Använd aldrig verktyget om skydd eller skärmar är skadade eller saknas.

- ◆ Placera skyddet (9) på verktyget enligt figuren. Rikta in hålen (19) mot fästena (20) på verktyget.
- ◆ Tryck på skyddet tills det snäpper fast på plats (A).
- ◆ Tryck skyddet framåt (B).
- ◆ Drag åt skruvarna (21) ordentligt.

Varning! Använd inte verktyget om inte skyddet är korrekt monterat.

Byte till en ny trimtrådsspole (fig. D)

Nya spolar med trimtråd finns tillgängliga hos din Black & Decker återförsäljare (kat.nr. A6481).

- ◆ Håll knapparna (22) på spolskyddet (23) intryckta och avlägsna skyddet från spolhuset (12).
- ◆ Tag ut den tomma spolen (24) ur spolhuset.
- ◆ Avlägsna eventuell smuts och gräs från spolhuset.
- ◆ Linda av omkring 12 cm trimtråd från den nya spolen.
- ◆ Mata trimtråden genom trådålet (25).
- ◆ Tryck spolen på drivaxeln (26) och vrid den något tills den sitter på plats. Kontrollera att trimtråden inte har klämts fast under spolen, och att det finns 10-12 cm tråd utanför kåpan.
- ◆ Rikta in knapparna på spolskyddet mot hålen i spolhuset.
- ◆ Tryck spolskyddet på spolhuset tills det snäpper på plats.

Varning! Om trimtråden sticker ut utanför skärbladet (11) ska den kapas så att den nått och jämnt når bladet.

Linda ny tråd på en tom spole (fig. E - G)

Du kan linda ny tråd på en tom spole. Nya förpackningar med trimtråd finns tillgängliga hos din Black & Decker återförsäljare (kat.nr. A6170 (25 m), A6171 (40 m)).

- ◆ Avlägsna den tomma spolen från verktyget enligt beskrivningen ovan.
- ◆ Avlägsna eventuell trimtråd som finns kvar på spolen (27) (fig. E).
- ◆ Mata in 2 cm trimtråd genom ett av hålen (28) i spolen enligt bilden (fig. F).
- ◆ Vik trimtråden och fäst den i den L-formade skåran (29).
- ◆ Linda trimtråden på spolen i pilens riktning. Linda tråden ordentligt i olika lager. Linda inte i kors (fig. G).
- ◆ Klipp av tråden när den lindade tråden kommit upp till slitsarna (30). Låt ungefär 12 cm av tråden sticka ut från spolen och sätt ett finger på tråden för att hålla den på plats (fig. E).
- ◆ Sätt spolen på plats enligt anvisningarna ovan.

Varning! Använd endast trimtråd som rekommenderas av Black & Decker.

Användning

Varning! Överbelasta inte maskinen, låt den arbeta i sin egen takt.

Laddning av batteriet (fig. A)

Batteriet måste laddas innan det används första gången och alltid när verktyget inte längre fungerar effektivt. När batteriet laddas första gången eller efter en längre tids förvaring är laddningskapaciteten endast 80%. Efter flera uppladdnings- och urladdningscyklar uppnår batteriet full kapacitet. Batteriet kan bli varmt under laddningen; detta är en normal företeelse och indikerar inte något fel.

Varning! Ladda inte batteriet om lufttemperaturen är lägre än 4 °C eller högre än 40 °C. Rekommenderad temperatur vid laddning är cirka 24 °C.

- ◆ När batteriet (14) skall laddas tas det ur verktyget och placeras i laddaren (15). Det finns bara ett sätt att sätta batteriet i laddaren. Bruka inte våld. Kontrollera att batteriet sitter ordentligt i laddaren.
- ◆ Sätt in laddarens kontakt i vägguttaget.

3 timmes laddare

Batteriet är fulladdat efter cirka 3 timmar. Det kan antingen tas ut när som helst eller lämnas kvar i den anslutna laddaren under obegränsad tid.

1 timmes laddare

- ◆ Kontrollera att den röda laddningsindikatorn (16) tänds. Om den gröna laddningsindikatorn (17) lyser istället betyder det att batteriet är för varmt och inte kan laddas. Om detta händer ska batteriet tas ut ur laddaren och svalna under cirka 1 timme, varefter det placeras i laddaren igen.

Efter cirka 1 timmes laddning släcks den röda laddningsindikatorn och tänds den gröna indikatorn för avslutad laddning.

Batteriet är nu fulladdat.

- ◆ Tag ut batteriet ur laddaren.

Inställning av stödhandtaget (fig. H)

Stödhandtaget (4) kan ställas in för optimal balans och bekvämlighet.

- ◆ Låt skyddet (9) vila mot marken.
- ◆ Lossa handtagsskruven (5).
- ◆ Vrid handtaget till önskat läge.
- ◆ Drag åt skruven ordentligt.

Inställning av höjden (fig. I)

Med teleskopskaftet (31) kan du ställa in verktyget i en bekväm höjd.

- ◆ Lossa hylsan (6).
- ◆ Skjut ut skaftet för större höjd.
- ◆ Skjut in skaftet för kortare höjd.
- ◆ Drag åt hylsan.

Start och stopp (fig. J)

Av säkerhetsskäl är verktyget försett med ett dubbelt start/stoppssystem. Systemet gör att det inte går att starta verktyget av misstag.

Start

- ◆ Tryck spärrknappen (2) framåt med tummen och tryck samtidigt in strömbrytaren (1).
- ◆ Släpp spärrknappen.

Stopp

- ◆ Släpp strömbrytaren (1).

Varning! Försök aldrig spärra en strömbrytare i startläge.

Val av trimnings- eller kantklippningsläge (fig. K - M)

Verktyget kan antingen användas i trimningsläge, enligt figur K, eller i kantklippningsläge för klippning av gräs som sticker utanför kanten på gräsmattor och rabatter, enligt figur L.

Trimningsläge (fig. K & M)

Vid trimning ska trimningshuvudet stå i läget som visas i figur K. Gör annars så här:

- ◆ Håll i stödhandtaget med den ena handen och grip hylsan (7) med den andra enligt bilden (fig. K).

- ◆ Tryck hylsan i riktning mot trimningshuvudet och vrid den moturs tills trimningshuvudet låser sig i trimningsläget (fig. M).
- ◆ Släpp hylsan.
- ◆ Placera kantledaren (11) i indraget läge.

Kantklippningsläge (fig. L & M)

Vid kantklippning ska trimningshuvudet stå i läget som visas i figur L. Gör annars så här:

- ◆ Håll i stödhandtaget med den ena handen och grip hylsan (7) med den andra enligt bilden (fig. L).
- ◆ Tryck hylsan i riktning mot trimningshuvudet och vrid den medurs tills trimningshuvudet låser sig i kantklippningsläget (fig. M).
- ◆ Släpp hylsan.
- ◆ Placera kantledaren (11) i indraget läge.

Råd för bästa resultat

Trimning

- ◆ Håll verktyget enligt figur K.
- ◆ För försiktigt grästrimmaren från sida till sida enligt figur K.
- ◆ Arbeta i flera omgångar uppifrån om gräset är långt.
- ◆ Undvik hårda föremål och ömtåliga växter.
- ◆ Minska belastningen om verktyget börjar gå långsamt.

Kantklippning

De bästa resultaten får man om kanterna är djupare än 50 mm.

- ◆ Skär inte till nya kanter med verktyget. För att göra nya kanter ska du använda en kantspade.
- ◆ Styr verktyget enligt figur L. Håll kantledaren mot gräsmattans kant.
- ◆ Luta verktyget en aning om du vill klippa något närmare.

Allmänt

- ◆ För ett optimalt resultat bör du endast klippa torrt gräs.
- ◆ Ha helst batteriet anslutet till laddaren, och laddaren ansluten till vägguttaget, när verktyget inte används.

Skötsel

Ditt Black & Decker verktyg har tillverkats för att fungera under lång tid med ett minimum av underhåll. Med rätt underhåll och regelbunden rengöring behåller verktyget sin prestanda. Laddaren behöver inget underhåll förutom regelbunden rengöring.

Varning! Tag bort batteriet innan underhåll utförs på verktyget. Tag ur laddarkontakten före rengöring.

- ◆ Koppla lös batteriet efter bruk och syna verktyget på eventuella skador.
- ◆ Rengör ventilationsöppningarna på verktyget och laddaren regelbundet med en mjuk borste eller torr trasa.

- ◆ Rengör kåpan regelbundet med en fuktig trasa. Använd aldrig rengöringsmedel med lösnings- eller slipmedel.
- ◆ Rengör regelbundet trimtråden och spolen med en mjuk borste eller torr trasa.
- ◆ Använd en trubbig skrapa för att regelbundet avlägsna gräs från skyddets undersida.

Förvaring

Batteriet bör helst vara anslutet till laddaren om verktyget inte ska användas på flera månader. Gör annars så här:

- ◆ Ladda batteriet så mycket det går.
- ◆ Tag ut batteriet ur verktyget.
- ◆ Förvara verktyget och batteriet på en säker och torr plats. Förvaringstemperaturen måste alltid ligga mellan +5 °C och +40 °C. Placera batteriet på en horisontell yta.
- ◆ Ladda batteriet ordentligt på nytt innan verktyget tas i bruk igen efter att ha förvarats under en längre tid.

Felsökning

Följ anvisningarna nedan om något problem uppkommer. Kontakta din auktoriserade Black & Decker serviceverkstad om du inte själv kan lösa problemet.

Varning! Tag ut batteriet ur verktyget innan du fortsätter.

Verktyget går långsamt.

- ◆ Kontrollera att spolhuset kan rotera fritt. Rengör det försiktigt om det behövs.
- ◆ Kontrollera att trimtråden inte sticker ut ur spolhuset mer än 10-12 cm. Om den sticker ut längre ska den kapas så att den just når fram till skärbladet.

Den automatiska trådmatningen fungerar inte

- ◆ Håll knapparna intryckta och avlägsna spolskyddet från spolhuset.
- ◆ Lyft spolen ca. 6 mm och drag in trimtråden tills den sticker ut 10-12 cm utanför spolhuset. Om det är för lite tråd kvar på spolen byter du till en ny spole med trimtråd. Följ anvisningarna ovan.
- ◆ Tryck tillbaka spolen på plats och vrid den något tills den sitter på plats.
- ◆ Rikta in knapparna på spolskyddet mot hålen i spolhuset.
- ◆ Tryck spolskyddet på spolhuset tills det snäpper på plats ordentligt.
- ◆ Om trimtråden sticker utanför skärbladet ska den kapas så att den just når fram till bladet.

Försök med följande åtgärder om den automatiska trådmatningen ändå inte fungerar:

- ◆ Rengör spolhuset noggrant.
- ◆ Avlägsna spolen och kontrollera att armen kan röra sig fritt.

- ◆ Tag ut spolen och linda av hela trimtråden. Linda sedan på den jämnt igen, enligt anvisningarna ovan. Sätt tillbaka spolen enligt anvisningarna.

Spolen har fastnat

- ◆ Håll knapparna intryckta och avlägsna spolskyddet från spolhuset.
- ◆ Rengör spolhuset noggrant.
- ◆ Tryck spolskyddet på spolhuset tills det snäpper på plats ordentligt.

Miljöskydd



Särskild insamling. Denna produkt får inte kastas bland vanliga hushållssopor.

Om du någon gång i framtiden behöver ersätta din Black & Decker-produkt med en ny, eller inte längre behöver den, ska du inte kasta den i hushållssoporna. Denna produkt skall lämnas till särskild insamling.



Efter insamling av använda produkter och förpackningsmaterial kan materialen återvinnas och användas på nytt. Användning av återvunna material skonar miljön och minskar förbrukningen av råvaror.

Enligt lokal lagstiftning kan det förekomma särskilda insamlingar av uttjänt elutrustning från hushåll, antingen vid kommunala miljöstationer eller hos detaljhandlaren när du köper en ny produkt.

Black & Decker erbjuder en samlings- och återvinningstjänst för Black & Decker-produkter när de en gång har tjänat ut. För att använda den här tjänsten lämnar du in produkten till en auktoriserad B & D –reparatör/representant som tar hand om den för din räkning.

Närmaste auktoriserade Black & Decker-representant finner du genom det lokala Black & Decker-kontoret på adressen i den här manualen. Annars kan du söka på Internet, på listan över auktoriserade Black & Decker-representanter och alla uppgifter om vår kundservice och andra kontakter.

www.2helpU.com

Batterier



Black & Decker-batterierna kan laddas många gånger. Skydda miljön genom att lämna uttjänta batterier till avsedd uppsamlingsplats.

- ◆ Låt batteriet laddas ur helt och ta sedan bort det från verktyget.

- ◆ NiCd- och NiMH-batterier kan återvinnas. Lämna dem till inköpsstället eller den lokala återvinningsstationen.

Tekniska data

		GLC2500	GLC3000
Spänning	V_{DC}	18	24
Obelastad hastighet	min^{-1}	6.800	6.800
Vikt	kg	1,8	1,8

Batteri

Spänning	V_{DC}	18	24
Kapacitet	Ah	1,5	1,2
Vikt	kg	0,8	1

Laddare

Spänning	V_{AC}	230	230
Laddningstid cirka	tim	3	3

EC-förklaring om överensstämmelse

GLC2500/GLC2500NM/GLC3000

Black & Decker förklarar att dessa produkter överensstämmer med:

98/37/EEG, 89/336/EEG, 73/23/EEG, EN 55014,
EN 60335, EN 61000, 2000/14/EEG, EN 786, EN 28662,
EN ISO 3744, EN ISO 11201

Grästrimmare, L = 25 cm, Annex VI, Nr. 499
SNCH, L-5230 Sandweiler, Luxemborg

Bullernivå, uppmätt enligt EN ISO 3744:

L_{pA} (bullernivå) 81 dB(A)

L_{WA} (akustisk effekt) 92 dB(A)

L_{WA} (garanterat) 96 dB(A)

Vägt vibrationsmedelvärde hand/arm enligt EN 786 < 2,5 m/s²



Kevin Hewitt
Director of Consumer Engineering
Spennymoor, County Durham DL16 6JG,
Storbritannien
1-11-2004

Reservdelar / reparationer

Reservdelar finns att köpa hos auktoriserade Black & Decker verkstäder, som även ger kostnadsförslag och reparerar våra produkter.

Förteckning över våra auktoriserade verkstäder finns på Internet, vår hemsida www.blackdecker.se samt www.2helpU.com

Garanti

Black & Decker garanterar att produkten är fri från material- och/eller fabriktionsfel vid leverans till kund. Garantin är i tillägg till konsumentens lagliga rättigheter och påverkar inte dessa. Garantin gäller inom medlemsstaterna i Europeiska Unionen och i det Europeiska Frihandelsområdet.

Om en Black & Decker produkt går sönder på grund av material- och/eller fabriktionsfel eller brister i överensstämmelse med specifikationen, inom 24 månader från köpet, åtar sig Black & Decker att reparera eller byta ut produkten med minsta besvär för kunden.

Garantin gäller inte för fel som beror på:

- ◆ normalt slitage
- ◆ felaktig användning eller skötsel
- ◆ att produkten skadats av främmande föremål, ämnen eller genom olyckshändelse

Garantin gäller inte om reparation har utförts av någon annan än en auktoriserad Black & Decker verkstad.

För att utnyttja garantin skall produkten och inköpskvittot lämnas till återförsäljaren eller till en auktoriserad verkstad senast 2 månader efter det att felet har upptäckts.

För information om närmaste auktoriserad verkstad; kontakta det lokala Black & Decker kontoret på den adress som är angiven i bruksanvisningen. En lista på alla auktoriserade verkstäder samt servicevillkor finns även tillgängligt på Internet, adress: www.2helpU.com

Besök vår webbplats www.blackanddecker.com för att registrera din nya Black & Decker-produkt samt för att erhålla information om nya produkter och specialerbjudanden. Vidare information om märket Black & Decker och vårt produktsortiment kan återfinnas på www.blackanddecker.com

Bruksområder

Din Black & Decker gresstrimmer er beregnet på klipping og trimming av plenkanter og klipping av gress på vanskelig tilgjengelige steder.

Verktøyet er tiltenkt kun som konsumentverktøy.

Din Black & Decker lader er konstruert for å lade opp batteriet i verktøyet.

Lær verktøyet å kjenne



- ◆ Advarsel! Når du bruker batteridrevne verktøy, må du følge en del grunnleggende sikkerhetsregler (se nedenfor) for å redusere faren for brann, batterilekkasjer, personskade og materiell skade.
- ◆ Av hensyn til din egen og andre tilstedeværendes sikkerhet må du lese nøye gjennom denne håndboken før du bruker verktøyet.
- ◆ Gjør deg kjent med funksjonene og riktig bruk av verktøyet.
- ◆ Vær sikker på at du vet hvordan man slår av verktøyet i et nødstilfelle før du begynner å bruke det.
- ◆ Oppbevar denne bruksanvisningen på et lett tilgjengelig sted.

Generelt

1. Vurder arbeidsmiljøet

Ikke utsett verktøyet for regn. Ikke bruk verktøyet under våte eller fuktige forhold. Bruk bare verktøyet i dagslys eller med bra belysning. Ikke bruk verktøyet hvis det er fare for å forårsake brann eller en eksplosjon, f. eks. i nærheten av brannfarlige væsker eller gasser. Hold arbeidsområdet ryddig.

2. Hold barn på sikker avstand

Barn, besøkende eller dyr må ikke komme i nærheten av arbeidsområdet eller i kontakt med verktøyet.

3. Kle deg riktig

Ikke ha på deg løstsittende klær eller smykker. De kan sette seg fast i de bevegelige delene. Vi anbefaler gummihansker og sklisikre sko når du arbeider utendørs. Bruk hårnett hvis du har langt hår.

4. Personlig verneutstyr

Bruk alltid vernebriller. Bruk ansikts- eller støvmaske når arbeidet kan forårsake støv eller flygende partikler. Bruk hørselsvern når støynivået virker ukomfortabelt.

5. Ikke strekk deg for langt

Pass på at du alltid har sikkert fotfeste og balanse.

6. Vær oppmerksom

Se på det du gjør. Bruk sunn fornuft. Bruk ikke verktøyet når du er trett.

7. Fest arbeidsemnet

Bruk tvinger eller skrustikker til å feste arbeidsemnet med. Dette er sikrere enn å bruke hånden, og du får begge hendene fri til å styre verktøyet.

8. Fjern nøkler

Gjør det til vane å sjekke om nøkler og justeringsverktøy er fjernet før verktøyet startes.

9. Bruk riktig verktøy

Denne instruksjonshåndboken forklarer beregnet bruksmåte. Ikke tving en maskin til å gjøre arbeid som krever kraftigere verktøy. Verktøyet gjør en tryggere og bedre jobb når det brukes med den hastigheten det er beregnet på. Ikke overbelast verktøyet.

Advarsel! Bruk bare tilbehør og utstyr som anbefales i bruksanvisningen. Bruk av annet verktøy eller tilbehør kan medføre en mulig risiko for personskade.

10. Sjekk verktøyet for skader

Kontroller verktøyet nøye for skade før bruk. Kontroller for feiljustering eller om de bevegelige delene har satt seg fast, at ingen deler er ødelagt, at vern og brytere er uten skader, og at det ikke foreligger noen andre feil som kan påvirke verktøyets funksjon. Kontroller at verktøyet fungerer som det skal og utfører beregnet funksjon. Bruk aldri verktøyet hvis noen av delene er skadet. Ikke bruk verktøyet hvis det ikke er mulig å slå det på og av med strømbryteren. Ved skade eller feil må delene repareres eller byttes ut av et autorisert serviceverksted. Prøv aldri å reparere noe selv.

11. Fjern batteriet

Ta ut batteriet når verktøyet ikke er i bruk, før du bytter noen av delene på verktøyet, tilbehør eller tilkoplinger og før vedlikehold.

12. Unngå utilsiktet start

Bær aldri verktøyet med fingeren på strømbryteren. Pass på at verktøyet er slått av når du setter inn batteriet.

13. Vær forsiktig med ledningen

Bær aldri laderen i ledningen, og ikke trekk i ledningen når du skal dra ut kontakten. Ikke utsett ledningen for varme, olje, eller skarpe kanter.

14. Oppbevar verktøy på et trygt sted når det ikke er i bruk

Når det ikke er i bruk, må verktøy, batteri og lader oppbevares på et tørt sted, og slik at det ikke er tilgjengelig for barn.

15. Vær nøye med vedlikeholdet

Hold kutteverktøy skarpt og rent for bedre ytelse og sikrere drift. Følg instruksjonene når det gjelder vedlikehold og skifte av tilbehør. Hold håndtak og brytere tørre, rene og fri for olje og fett.

16. Reparasjoner

Dette verktøyet overholder relevante sikkerhetskrav.

Reparasjoner må bare utføres av kvalifiserte personer som benytter originale reservedeler, ellers kan det være farlig å bruke utstyret.

Ekstra sikkerhetsforskrifter for batterier og ladere

Batterier

- ◆ Må aldri åpnes.
- ◆ Batteriet må ikke komme i kontakt med vann.
- ◆ Må ikke oppbevares på steder hvor temperaturen kan overstige 40 °C.
- ◆ Må bare lades ved lufttemperaturer mellom 4 °C og 40 °C.
- ◆ Må bare lades med laderen som følger med verktøyet.
- ◆ Når du kasserer batteriet, følger du instruksene som er gitt i avsnittet "Miljø".
- ◆ Under ekstreme forhold kan batterilekkasje forekomme. Hvis du merker væske på batteriet, må du gjøre som følger:
 - Tørk forsiktig væsken av med en klut. Unngå kontakt med huden.
 - I tilfeller hvor det oppstår kontakt med hud eller øyne, skal instruksjonene nedenfor følges.

Advarsel! Batterivæsken, en 25-30 % løsning av kaliumhydroksid, kan være skadelig. Hvis den kommer i berøring med hud, må du straks skylle med vann. Nøytraliser med en svak syre, f.eks. sitronsaft eller eddik. Hvis du får væsken i øynene, må du rense dem med rikelige mengder rent vann i minst 10 minutter. Kontakt lege.

- ◆ Batteriet må ikke brennes.
- ◆ Bruk aldri et skadet batteri.

Ladere

- ◆ Bruk din Black & Decker lader kun sammen med det batteriet som blir levert med verktøyet. Andre typer batterier kan eksplodere og forårsake person- og materialskader.
- ◆ Forsøk aldri å lade ikke-oppladbare batterier.
- ◆ Bytt straks ut defekte ledninger.
- ◆ Laderen må ikke komme i kontakt med vann.
- ◆ Laderen må ikke åpnes.
- ◆ Ikke skad eller feilbehandle laderen.



Laderen er kun beregnet på innendørs bruk.

Elektrisk sikkerhet



Laderen er dobbeltisolert. Derfor er ikke jording nødvendig. Kontroller at nettspenningen er i overensstemmelse med spenningen på typeskiltet. Du må aldri forsøke å bytte laderen ut med et vanlig støpsel.

Ekstra sikkerhetsinstruksjoner for gresstrimmere

Du finner følgende varselsymboler på verktøyet:



Ha på deg vernebriller når du bruker dette verktøyet.



Advarsel! Trimmertråden fortsetter å rotere i et par sekunder etter at verktøyet er slått av. Prøv aldri å tvinge tråden til å stoppe.



Ikke tillat at barn og dyr oppholder seg nærmere arbeidsområdet enn 6 meter.



Ikke utsett verktøyet for regn eller høy fuktighet.

- ◆ Ikke la barn eller personer som ikke har lest denne bruksanvisningen, benytte verktøyet.
- ◆ Bruk solide sko eller støvler, slik at du beskytter føttene.
- ◆ Beskytt bena ved å bruke langbukser.
- ◆ Før du bruker verktøyet, og hvis det har vært utsatt for støt, må du kontrollere for tegn på slitasje eller skade og reparere det om nødvendig.
- ◆ Før du bruker verktøyet, må du sjekke at arbeidsområdet er fritt for kvister, steiner, ledninger og andre hindringer.
- ◆ Bruk bare verktøyet i loddrett stilling, med trimmertråden mot bakken. Verktøyet må aldri slås på i andre stillinger.
- ◆ Beveg deg sakte når du bruker verktøyet. Husk at nyklipt gress er fuktig og glatt.
- ◆ Ikke arbeid i bratte skråninger. Klipp på tvers av skråninger, ikke opp- eller nedover.
- ◆ Gå aldri over grusganger mens verktøyet er i gang.
- ◆ Hold hender og føtter unna trimmertråden, særlig når du slår på motoren.
- ◆ Ta alle nødvendige forholdsregler for å unngå å bli skadet av skjæreknivene for trimmertråden. Når du har strukket en ny trimmertråd, må verktøyet alltid settes tilbake i vanlig bruksposisjon før du slår det på.
- ◆ Ikke legg verktøyet fra deg før trimmertråden har stoppet helt.
- ◆ Pass alltid på at ventilasjonsslissene holdes fri for smuss.
- ◆ Pass på at du bruker riktig type trimmertråd. Du må aldri bruke trimmertråder av metall eller fiskesnøre.
- ◆ Pass på at du ikke berører skjæreknivene for trimmertråden.
- ◆ Ikke bruk kutteutstyr av metall.
- ◆ Bruk bare reservedeler og tilbehør fra Black & Decker.



Betegner risiko for personskade, livsfare eller skade på apparatet dersom instruksene i denne bruksanvisningen ikke følges.



Les bruksanvisningen før du bruker verktøyet.

Oversikt

1. Strømbryter
2. Låseknapp
3. Hovedhåndtak
4. Støttehåndtak
5. Håndtaksskrue
6. Justeringskrave for håndtaket
7. Modusjusteringskrave
8. Motorhus
9. Vern
10. Skjærekniv for trimmertråd
11. Kantstøtte
12. Spolehus
13. Trimmertråd
14. Batteri

Fig. A

15. Lader
16. Ladeindikator - lading pågår
17. Ladeindikator - lading fullført

Montering

Advarsel! Før montering må du alltid ta ut batteriet.

Montere og fjerne batteriet (fig. B)

- ◆ Når du skal sette i batteriet (14), holder du det på høyde med holderen på verktøyet. Skyv batteriet inn i holderen, og trykk til det sitter på plass.
- ◆ Når du skal fjerne batteriet, trykker du på de to utløserknappene (18) samtidig, mens du drar batteriet ut av holderen.

Montere vernet (fig. C)

Advarsel! Ikke bruk verktøyet hvis vern eller skjermer er skadet, eller uten at vern og skjermer sitter på plass.

- ◆ Sett vernet (9) på verktøyet som vist. Sett hullene (19) på vernet på linje med festene (20) på verktøyet.
- ◆ Trykk vernet inn til det klikker på plass (A).
- ◆ Skyv vernet forover (B).
- ◆ Stram skruene (21) godt.

Advarsel! Ikke bruk verktøyet med mindre vernet er satt riktig på.

Sette inn en ny spole med trimmertråd (fig. D)

Du kjøper nye spoler med trimmertråd hos din Black & Decker-forhandler (kat.nr. A6481).

- ◆ Hold tappene (22) nede, og fjern spoledekslet (23) fra spolehuset (12).
- ◆ Ta den tomme spolen (24) ut av huset.
- ◆ Fjern evt. smuss og gress fra huset.
- ◆ Ta den nye spolen og vikle av ca. 12 cm trimmertråd.

- ◆ Mat trimmertråden gjennom øyet (25).
- ◆ Skyv spolen inn på drivakselen (26) og drei litt på den til den sitter på plass. Pass på at ikke trimmertråden klemmes under spolen, og at 10-12 cm trimmertråd stikker ut fra huset.
- ◆ Sett tappene på spoledekslet mot hullene i huset.
- ◆ Trykk dekslet ned på huset til det klikker på plass.

Advarsel! Hvis trimmertråden stikker ut forbi skjærekniven (11), må den kuttes, slik at den så vidt når frem til bladet.

Vikle ny tråd på en tom spole (fig. E - G)

Du kan vikle ny trimmertråd på en tom spole. Du finner utskiftningspakker med skjæretråd hos din Black & Decker-forhandler (kat.nr. A6170 (25 m), A6171 (40 m)).

- ◆ Ta den tomme spolen ut av verktøyet som forklart over.
- ◆ Fjern evt. gammel trimmertråd fra spolen (27) (fig. E).
- ◆ Mat 2 cm trimmertråd inn i ett av hullene (28) i spolen, som vist (fig. F).
- ◆ Bøy trimmertråden og fest den i den L-formede åpningen (29).
- ◆ Surr trimmertråden opp på spolen i pilens retning. Forsikre deg om at du vikler tråden jevnt og lagvis. Ikke surr på kryss og tvers (fig. G).
- ◆ Når den oppsurrede tråden når frem til innsporingene (30), kutter du den. La tråden stikke ca. 12 cm. ut av spolen, og sett en finger på tråden for å holde den på plass (fig. E).
- ◆ Sett spolen på plass i verktøyet som forklart over.

Advarsel! Pass på at du bruker riktig type trimmertråd fra Black & Decker.

Bruk

Advarsel! La verktøyet jobbe med sin egen hastighet. Ikke overbelast det.

Lading av batteriet (fig. A)

Batteriet må lades før første gangs bruk og alltid når verktøyet ikke lenger fungerer effektivt. Når batteriet lades for første gang, eller etter at det ikke har vært brukt i en periode, er ladekapasiteten kun 80%. Etter flere ladings- og utladingsperioder, vil batteriet oppnå full kapasitet. Batteriet kan bli varmt mens det lades; dette er normalt og indikerer ikke at noe er feil.

Advarsel! Lad ikke batteriet hvis lufttemperaturen er under 4 °C eller over 40 °C. Anbefalt ladingstemperatur: ca. 24 °C.

- ◆ For å lade batteriet (14), ta det ut av verktøyet og sett det inn i laderen (15). Det er bare en måte å plassere batteriet inn i laderen. Ikke bruk makt. Kontroller at batteriet ligger ordentlig på plass i laderen.
- ◆ Sett laderens kontakt i vegguttaket.

3-timers lader

Batteriet blir ferdig ladet på ca. 3 timer. Det kan fjernes når som helst, eller det kan stå i den tilkoblede laderen på ubestemt tid.

1-timers lader

- ◆ Sjekk om den røde ladeindikatoren (16) lyser. Hvis den grønne ladeindikatoren (17) lyser i stedet, er batteriet for varmt og kan ikke lades.

Hvis dette skjer, tar du batteriet ut av laderen, lar det avkjøles i 1 time og setter det inn igjen.

Etter ca. 1 times lading slukker den røde ladeindikatoren, og den grønne ladeindikatoren tennes. Batteriet er nå ferdig oppladet.

- ◆ Ta batteriet ut av laderen.

Justere posisjonen til støttehåndtaket (fig. H)

Støttehåndtaket (4) kan justeres for optimal balanse og komfort.

- ◆ La vernet (9) hvile på bakken.
- ◆ Løsne på håndtakskruen (5)
- ◆ Drei håndtaket til ønsket posisjon.
- ◆ Stram håndtaksskruen godt.

Justere høyden (fig. I)

Teleskopstangen (31) gjør at du kan stille inn verktøyet til en komfortabel høyde.

- ◆ Løsne kraven (6).
- ◆ Trekk ut stangen for å øke høyden.
- ◆ Skyv sammen stangen for å redusere høyden.
- ◆ Stram kraven.

Start og stopp (fig. J)

For din egen sikkerhets skyld er dette verktøyet utstyrt med et dobbelt startesystem. Dette systemet gjør at du ikke kan starte verktøyet utilsiktet.

Slå på

- ◆ Trykk låseknappen (2) bakover med tommelen samtidig som du klemmer på strømbryteren (1).
- ◆ Slipp låseknappen.

Slå av

- ◆ Slipp strømbryteren (1).

Advarsel! Prøv aldri å låse en strømbryter i startstilling.

Stille inn verktøyet for trimming eller kantklipping (fig. K - M)

Verktøyet kan brukes i trimmerposisjon, som vist i fig. K, eller i kantklipperposisjon for klipping av gress som stikker ut fra plenkanter og blomsterbed, som vist i fig. L.

Trimmerposisjon (fig. K & M)

Ved trimming skal trimmerhodet være i posisjonen vist i fig. K. Hvis ikke:

- ◆ Hold i støttehåndtaket med én hånd og ta kraven (7) i den andre hånden, som vist (fig. K).
- ◆ Skyv kraven i retning av trimmerhodet, og dreii den mot klokken til trimmerhodet festes i posisjon for trimming (fig. M).
- ◆ Slipp kraven.
- ◆ Sett kantstøtten (11) til bakre posisjon.

Kantklipperposisjon (fig. L & M)

Ved kantklipping skal trimmerhodet være i posisjonen vist i fig. L. Hvis ikke:

- ◆ Hold i støttehåndtaket med én hånd og ta kraven (7) i den andre hånden, som vist (fig. L).
- ◆ Skyv kraven i retning av trimmerhodet, og dreii den med klokken til trimmerhodet festes i posisjon for trimming (fig. M).
- ◆ Slipp kraven.
- ◆ Sett kantstøtten (11) til bakre posisjon.

Råd for optimalt resultat

Trimming

- ◆ Hold verktøyet som vist i fig. K.
- ◆ Sving trimmeren forsiktig fra side til side, som vist i fig. K.
- ◆ Arbeid i flere omganger fra toppen av gresset hvis dette er langt.
- ◆ Hold verktøyet i god avstand fra harde gjenstander og skjøre planter.
- ◆ Hvis verktøyet begynner å gå sakte, reduserer du belastningen.

Kantklipping

Optimale klipperesultater oppnås for kanter som er dypere enn 50 mm.

- ◆ Ikke bruk verktøyet til å lage nye kanter. Bruk en kantspade når du skal lage nye kanter.
- ◆ Før verktøyet som vist i fig. L. Hold kantstøtten mot plenkanter.
- ◆ Vil du klippe tettere, vipper du litt på verktøyet.

Generelt

- ◆ Du oppnår optimale klipperesultater hvis du kun klipper gresset når det er tørt.
- ◆ Om mulig bør batteriet være koplet til laderen og laderen koplet til strøm når verktøyet ikke er i bruk.

Vedlikehold

Ditt Black & Decker-verktøy har blitt utformet for å være i drift over en lang periode med et minimum av vedlikehold.

Med riktig vedlikehold og regelmessig rengjøring beholder verktøyet ytelsen.

Laderen din behøver ikke annet vedlikehold enn at den rengjøres med jevne mellomrom.

Advarsel! Før det utføres noen form for vedlikehold av verktøyet, må batteriet tas ut. Trekk ut kontakten før du rengjør laderen.

- ◆ Ta ut batteriet etter bruk, og kontroller verktøyet for skade.
- ◆ Rengjør ventilasjonsslissene på verktøyet og laderen regelmessig med en myk børste eller en tørr klut.
- ◆ Rengjør motorhuset regelmessig med en fuktig klut. Ikke bruk slipende eller løsemiddelbaserte rengjøringsmidler.
- ◆ Rengjør trimmertråden og spolen regelmessig ved hjelp av en myk børste eller tørr klut.
- ◆ Bruk en butt skraper til å fjerne gress og smuss fra undersiden av vernet med jevne mellomrom.

Oppbevaring

Hvis verktøyet ikke skal brukes på flere måneder, bør batteriet helst være koplet til laderen. Ellers gjør du som følger:

- ◆ Lad batteriet helt opp.
- ◆ Fjern batteriet fra verktøyet.
- ◆ Oppbevar verktøyet og batteriet på et sikkert og tørt sted. Omgivelsestemperaturen ved oppbevaring må alltid holdes innenfor området +5 °C til +40 °C. La batteriet stå på en plan overflate.
- ◆ Før du bruker verktøyet etter langvarig oppbevaring, må batteriet lades helt opp igjen.

Problemløsning

Hvis verktøyet ikke ser ut til å fungere som det skal, følger du instruksjonene nedenfor. Hvis dette ikke løser problemet, kontakter du et autorisert Black & Decker-serviceverksted.

Advarsel! Før du går videre, må du alltid ta ut batteriet.

Verktøyet går sakte

- ◆ Sjekk at spolehuset kan rotere fritt. Rengjør det nøye, om nødvendig.
- ◆ Sjekk at trimmertråden ikke stikker lenger ut enn 10-12 cm fra spolehuset. Hvis den gjør det, kutter du den av, slik at den når akkurat frem til skjærekniven.

Automatisk trådmating fungerer ikke

- ◆ Hold tappene inne, og ta spolelokket av huset.
- ◆ Løft spolen omtrent 6 mm, og trekk trimmertråden ut til den stikker 10-12 cm ut fra huset. Hvis det ikke er nok trimmertråd igjen på spolen, installerer du en ny spole med trimmertråd som forklart ovenfor.
- ◆ Trykk spolen på plass, og dreier den litt, til den sitter der den skal.
- ◆ Sett tappene på spoledekslet mot hullene i huset.

- ◆ Trykk dekslet på huset til det klikker på plass.
- ◆ Hvis trimmertråden stikker lengre ut enn til skjærekniven, kutter du den av, slik at den akkurat når frem til kniven.

Hvis den automatiske trådmatingen fremdeles ikke fungerer, kan du forsøke følgende:

- ◆ Rengjør spolehuset nøye.
- ◆ Ta ut spolen, og sjekk om hendelen kan beveges fritt.
- ◆ Ta ut spolen, og vikle av trimmertråden. Vikle den så jevnt på igjen som forklart ovenfor. Sett spolen på plass som angitt.

Spolen sitter fast

- ◆ Hold tappene inne, og fjern spolelokket fra huset.
- ◆ Rengjør spolehuset nøye.
- ◆ Trykk dekslet på huset til det klikker på plass.

Miljøvern



Kildesortering. Dette produktet må ikke kastes i det vanlige husholdningsavfallet.

Hvis du finner ut at Black & Decker-produktet ditt må skiftes ut, eller hvis du ikke lenger har bruk for det, må du unnlate å kaste det sammen med det vanlige husholdningsavfallet. Sørg for at dette produktet gjøres tilgjengelig for kildesortering.



Kildesortering av brukte produkter og emballasje gjør det mulig å resirkulere materialer og bruke dem igjen. Gjenbruk av resirkulerte materialer bidrar til å forhindre forurensning av miljøet og reduserer behovet for råmaterialer.

Lokale regelverk kan legge tilrette for kildesortering av elektriske produkter fra husholdningen, ved kommunale deponier eller gjennom forhandleren når du kjøper et nytt produkt.

Black & Decker har tilrettelagt for innsamling og resirkulering av Black & Decker-produkter etter at de har utspilt sin rolle. Ønsker du å benytte deg av denne tjenesten, returnerer du produktet ditt til et autorisert serviceverksted, som tar det imot og formidler det videre.

Du kan få adressen til ditt nærmeste autoriserte serviceverksted ved å kontakte ditt lokale Black & Decker-kontor på adressen oppgitt i denne håndboken. Du kan også finne en komplett liste over autoriserte Black & Decker-serviceverksteder og utfyllende informasjon om vår etter salg-service og kontaktnumre på Internett på følgende adresse:

www.2helpU.com

Batterier



Black & Decker-batterier kan lades mange ganger. Beskytt miljøet ved å levere kasserte batteriet til kildesortering:

- ◆ Kjør batteriet til det er helt flatt og ta det så ut av verktøyet.
- ◆ NiCd- og NiMH-batterier kan resirkuleres. Ta dem med til en hvilken som helst autorisert forhandler eller en lokal kildesorteringsstasjon.

Tekniske data

		GLC2500	GLC3000
Spenning	V_{DC}	18	24
Hastighet ubelastet	min^{-1}	6.800	6.800
Vekt	kg	1,8	1,8

Batteri

Spenning	V_{DC}	18	24
Kapasitet	Ah	1,5	1,2
Vekt	kg	0,8	1

Lader

Spenning	V_{AC}	230	230
Ladetid, ca	timer	3	3

Samsvarserklæring for EU

GLC2500/GLC2500NM/GLC3000

Black & Decker erklærer at disse produktene overholder:

98/37/EØF, 89/336/EØF, 73/23/EØF, EN 55014,
EN 60335, EN 61000, 2000/14/EU, EN 786, EN 28662,
EN ISO 3744, EN ISO 11201

Gressklipper, L = 25 cm, Vedlegg VI,
nr. 499 SNCH, L-5230 Sandweiler, Luxembourg

Lydnivået, målt i henhold til EN ISO 3744:

L_{pA} (lydtrykk) 81 dB(A)

L_{WA} (akustisk effekt) 92 dB(A)

L_{WA} (garantert) 96 dB(A)

Hånd/arm-vektet vibrasjonsverdi i henhold til EN 786: < 2,5 m/s²

Kevin Hewitt
Adm. dir. for forbrukerteknikk
Spennymoor, County Durham DL16 6JG,
Storbritannia
1-11-2004

Reservdeler / reparasjoner

Reservdeler kan kjøpes hos autoriserte Black & Decker serviceverksteder, som også gir kostnadsoverslag og reparerer våre produkter.

Oversikt over våre autoriserte serviceverksteder finnes på Internet, vår hjemmeside www.blackdecker.no samt www.2helpU.com

Garanti

Black & Decker garanterer at produktet ikke har material- og/eller fabrikkasjonsfeil ved levering til kunde. Garantien er i tillegg til kundens lovlige rettigheter og påvirker ikke disse. Garantien gjelder innen medlemsstatene i den Europeiske Unionen og i det Europeiske Frihandelsområdet.

Hvis et Black & Decker produkt går i stykker på grunn av material- og/eller fabrikkasjonsfeil eller har mangler i forhold til spesifikasjonene, innen 24 måneder fra kjøpet, påtar Black & Decker seg å reparere eller bytte ut produktet med minst mulig vanskelighet for kunden.

Garantien gjelder ikke for feil som kommer av:

- ◆ normal slitasje
- ◆ feilaktig bruk eller vedlikehold (mislighold)
- ◆ at produktet har blitt skadet av fremmede gjenstander, emner eller ved et uhell

Det gjøres oppmerksom på at produktet ikke er beregnet på industriell/profesjonell/yrkesmessig bruk, men til hus- og hjemmebruk.

Garantien gjelder ikke om reparasjoner har blitt utført av noen andre enn et autorisert Black & Decker serviceverksted.

For å ta garantien i bruk skal produktet og kjøpekvittring leveres til forhandleren eller til et autorisert serviceverksted senest 2 måneder etter at feilen har blitt oppdaget. For informasjon om nærmeste autoriserte serviceverksted; kontakt det lokale Black & Decker kontoret på den adressen som er angitt i bruksanvisningen. En oversikt over alle autoriserte serviceverksteder samt servicevilkår finnes også tilgjengelig på Internet, adresse: www.2helpU.com

Vennligst stikk innom våre nettsider på www.blackanddecker.com for å registrere ditt nye Black & Decker-produkt og for å holde deg oppdatert om nye produkter og spesialtilbud. Du finner mer informasjon om Black & Decker og produktutvalget vårt på www.blackanddecker.com

Anvendelsesområde

Din Black & Decker græsstrimmer er designet til trimning og færdiggørelse af græskanter og til græsslåning på begrænsede arealer.

Værktøjet er kun beregnet til privat brug.

Din Black & Decker oplader er designet til opladning af batteriet til det værktøj, som den leveres sammen med.

Lær værktøjet at kende



- ◆ **Advarsel!** Ved brug af batteridrevet værktøj skal de grundlæggende sikkerhedsforanstaltninger, herunder følgende, altid følges, således at risikoen for brand, lækkende batterier og person- og materialeskader begrænses.
- ◆ Af hensyn til din egen og omkringståendes sikkerhed bør du læse hele denne vejledning omhyggeligt igennem, før du bruger værktøjet.
- ◆ Vær fortrolig med knapperne og den korrekte brug af værktøjet.
- ◆ Du skal sikre dig, at du ved, hvordan værktøjet slukkes, inden det tages i brug.
- ◆ Opbevar denne brugsanvisning til fremtidigt brug.

Generelt

1. Tænk på arbejdsmiljøets indflydelse

Udsæt ikke værktøjet for regn. Anvend ikke værktøjet på fugtige eller våde steder. Brug kun værktøjet i dagslys eller med god kunstig belysning. Anvend ikke værktøjet, hvor der er risiko for, at der kan opstå brand eller eksplosioner som følge af brug af værktøjet, f.eks. i nærheden af let antændelige væsker eller gasser. Arbejdsområdet skal holdes fri for affald og forhindringer.

2. Hold børnene på afstand

Børn, besøgende eller dyr må ikke nærme sig arbejdsområdet eller røre ved værktøjet.

3. Klæd dig rigtigt på

Bær ikke løst hængende tøj eller smykker. De kan sidde fast i maskinens bevægelige dele. Gummihandsker og skridsikre sko anbefales ved udendørs arbejde. Brug hånet, hvis du har langt hår.

4. Personlig beskyttelse

Brug altid beskyttelsesbriller. Brug en ansigts- eller støvmaske, når brugen af værktøjet kan medføre støv eller flyvende partikler. Brug høreværn, når lydniveauet er generende.

5. Stræk dig ikke for meget

Sørg for, at du altid har sikkert fodfæste og balance.

6. Vær opmærksom

Hold øje med, hvad du foretager dig. Brug din sunde fornuft. Brug ikke værktøjet, når du er træt.

7. Sæt arbejdsemnet fast

Brug skruetvinger eller skruestik for at spænde arbejdsemnet fast. Det er sikrere end at bruge hånden, og du får begge hænder fri til arbejdet.

8. Fjern justerings- og skruenøgler

Kontroller, at nøgler og justeringsværktøj er fjernet fra værktøjet, inden det startes.

9. Brug det rigtige værktøj

Brugen af værktøjet er beskrevet i denne brugsanvisning. Tving ikke elværktøj til at udføre arbejde, som er beregnet til kraftigere værktøj. Brug kun tilbehør og dele, der er anbefalet i brugsanvisningen og katalogerne. Værktøjet må ikke forceres. Advarsel! Anvendelsen af andet tilbehør eller udførelse af opgaver med andet værktøj end det her anbefalede kan medføre risiko for personskader.

10. Kontrollér værktøjet for skader

Kontrollér omhyggeligt værktøjet for beskadigelser, før du bruger det. Kontrollér de bevægelige dele for skæv indstilling og sammenbrændinger, kontrollér for brud på dele, skade på skærme og kontakter samt alt andet, der kan påvirke maskinens funktion. Kontrollér, at værktøjet fungerer rigtigt og kan udføre det arbejde, det er beregnet til. Værktøjet må ikke benyttes, hvis en af delene er beskadiget eller defekt. Brug ikke værktøjet, hvis det ikke kan tændes og slukkes ved afbryderen. Skadede eller defekte dele skal repareres eller udskiftes af en autoriseret tekniker. Man må aldrig selv forsøge at reparere værktøjet.

11. Fjern batteriet

Fjern batteriet når værktøjet er ude af drift og før udskiftning af enhver værktøjsdel, tilbehør eller andet udstyr.

12. Undgå utilsigtet start af værktøjet

Man må ikke bære værktøjet med en finger på tænd/slukknappen. Kontrollér at værktøjet er slukket, når du sætter et batteri i værktøjet.

13. Vær forsigtig med ledningen

Laderen må aldrig bæres eller trækkes ud i ledningen. Ledningen skal holdes på afstand fra varme, olie og skarpe kanter.

14. Opbevar værktøjet sikkert, når det ikke bruges

Når værktøj, batterier og oplader ikke er i brug, skal de opbevares indelåst eller højt placeret et tørt sted uden for børns rækkevidde.

15. Vedligehold værktøjet omhyggeligt

Skærende værktøj skal holdes skarpt og rent for at kunne give en bedre og mere sikker ydelse.

Følg vedligeholdelsesvejledningen samt vejledningen til udskiftning af tilbehør. Hold håndtagene og knapperne tørre, rene og fri for olie og fedt.

16. Reparationer

Dette værktøj opfylder de relevante sikkerhedskrav. Reparationer må kun foretages af dertil kvalificerede personer, som bruger originale reservedele. I modsat fald kan der opstå betydelig fare for brugeren.

Yderligere sikkerhedsanvisninger til batterier og opladere

Batterier

- ◆ Man må aldrig forsøge at åbne et batteri.
- ◆ Udsæt ikke batteriet for vand.
- ◆ Det må ikke opbevares i et lokale, hvor temperaturen overstiger 40 °C.
- ◆ Det må kun oplades ved omgivelsestemperaturer mellem 4 °C og 40 °C.
- ◆ Oplad kun med den vedlagte oplader.
- ◆ Ved bortskaffelse af batterier skal man følge vejledningen i afsnittet "Beskyttelse af miljøet".
- ◆ Under ekstreme forhold kan der forekomme batteriutætheder. Hvis man opdager væske på batteriet, skal man gå frem på følgende måde:
 - Tør forsigtigt væsken af med en klud. Undgå kontakt med huden.
 - I tilfælde af, at væsken kommer i kontakt med huden eller øjnene, skal man følge nedenstående vejledning.

Advarsel! Batterivæsken, en 25-30% opløsning af kaliumhydroxid, kan være skadelig. Ved hudkontakt skal stedet omgående skylles med vand. Neutralisér med en mild syre såsom citronsaft eller eddike. Rens med rigeligt rent vand i mindst 10 minutter, hvis det kommer i kontakt med øjnene. Opsøg læge.

- ◆ Brænd ikke batteriet.
- ◆ Oplad ikke beskadigede batterier.

Opladere

- ◆ Din Black & Decker lader må kun benyttes til Black & Decker batterier af samme slags, som de med værktøjet leverede batterier. Andre batterier kan eksplodere og derved forårsage personskader og skader på ting.
- ◆ Man må aldrig forsøge at genoplade ikke-opladelige batterier.
- ◆ Defekte ledninger skal straks udskiftes.
- ◆ Udsæt ikke opladeren for vand.
- ◆ Opladeren må ikke åbnes.
- ◆ Opladeren må ikke manipuleres.



Opladeren er kun beregnet til indendørs brug.

EI-sikkerhed



Din oplader er dobbelt isoleret. Derfor er jordledning ikke nødvendig. Før brug skal det kontrolleres, at netspændingen svarer til den, der er angivet på typeskiltet. Forsøg aldrig at udskifte laderenheden med et almindeligt netstik.

Ekstra sikkerhedsvejledning til græstrimmere

Følgende advarselssymboler findes på værktøjet:



Det anbefales at bære sikkerhedsbriller, når man arbejder med dette værktøj.



Advarsel! Trimmertråden fortsætter med at løbe rundt i et par sekunder, efter at der er slukket for værktøjet. Man må aldrig tvinge tråden til standsning.



Hold mennesker og dyr mindst 6 meter fra græsslåningsområdet.



Udsæt ikke værktøjet for regn eller høj fugtighed.

- ◆ Tillad ikke børn eller personer, der ikke har læst denne brugsanvisning, at arbejde med værktøjet.
- ◆ Bær kraftige sko eller støvler til beskyttelse af fødderne.
- ◆ Bær lange bukser til beskyttelse af benene.
- ◆ Før du bruger værktøjet og efter eventuelle ydre påvirkninger kontrolleres værktøjet for tegn på skader, og det repareres efter behov.
- ◆ Før du benytter værktøjet, skal du kontrollere, at slåområdet er fri for pinde, sten, ståltråd eller andre hindringer.
- ◆ Brug kun værktøjet, mens du står op med trimmertråden nede ved jorden. Indtag aldrig andre stillinger, når du tænder for værktøjet.
- ◆ Bevæg dig langsomt med værktøjet. Vær opmærksom på, at frisk afskåret græs er fugtigt og fedtet.
- ◆ Arbejd ikke på meget stejle skråninger. Arbejd på tværs af skråninger, ikke op og ned.
- ◆ Man må aldrig krydse grusstier eller veje, mens værktøjet er i gang.
- ◆ Hold altid hænder og fødder væk fra trimmertråden, især når motoren startes.
- ◆ Vær forsigtig for at undgå at blive skadet af trimmerens skæreblad. Efter at have trukket ny trimmertråd frem skal man altid sætte værktøjet tilbage til normal arbejdsposition, før man tænder for det igen.
- ◆ Sæt ikke værktøjet fra dig, før trimmertråden er fuldstændigt stoppet.
- ◆ Sørg altid for, at ventilationsrillerne holdes fri for debris.
- ◆ Brug kun den rigtige type trimmertråd. Brug aldrig trimmertråd af metal eller fiskesnøre.
- ◆ Pas på, du ikke berører skærebladet til trimmertråden.
- ◆ Der må aldrig monteres skæreelementer af metal i værktøjet.
- ◆ Brug kun reservedele og tilbehør fra Black & Decker.



Angiver risiko for personskade, livsfare eller ødelæggelse af apparatet, hvis brugsanvisningens instruktioner ikke følges.



Læs brugsanvisningen igennem, inden maskinen tages i brug.

Oversigt

1. Afbryder
2. Låseknop
3. Hovedhåndtag
4. Støtthåndtag
5. Håndtagsgreb
6. Manchet til justering af håndtag
7. Manchet til funktionsjustering
8. Motorhus
9. Beskyttelsesskærm
10. Skærebånd til trimmertråden
11. Kantguide
12. Spolehus
13. Trimmertråd
14. Batteri

Fig. A

15. Lader
16. Opladningsindikator - "ladning i gang"
17. Opladningsindikator - "fuld ladning"

Samling

Advarsel! Før montering skal batteriet altid afmonteres.

Montering og fjernelse af batteriet (fig. B)

- ◆ Sæt batteriet (14) i ved at placeres det på linje med værktøjets batteriholder. Dernæst placeres batteriet i holderen og skubbes på plads.
- ◆ Tag batteriet ud ved at trykke på udløserknappen (18) samtidig med, at batteriet tages ud af batteriholderen.

Påsætning af beskyttelsesskærmen (fig. C)

Advarsel! Brug aldrig værktøjet, hvis beskyttelsesskærmen er beskadiget, eller hvis skærmen eller andet sikkerhedsudstyr ikke er på plads.

- ◆ Placér beskyttelsesskærmen (9) på værktøjet som vist, idet hullerne i beskyttelsesskærmen (19) skal passe til knopperne på værktøjet (20).
- ◆ Tryk på beskyttelsesskærmen, indtil den klikker på plads (A).
- ◆ Skub beskyttelsesskærmen frem (fig. B).
- ◆ Stram skruerne godt (21).

Advarsel! Brug aldrig værktøjet, hvis beskyttelsesskærmen ikke sidder ordentligt fast.

Isætning af en ny trimmertråd-spole (fig. D)

Nye spoler med trimmertråd kan købes hos din Black & Decker-forhandler (katalognr. A6481).

- ◆ Tryk på knapperne (22) på spoledækslet (23), hold dem nede og fjern spoledækslet fra huset (12).
- ◆ Fjern den tomme spole (24) fra spolehuset.
- ◆ Fjern al snavs og græs fra spolehuset.
- ◆ Tag den nye spole, og vind ca. 12 cm af trimmertråden af.
- ◆ Stik trimmertråden gennem huller (25).
- ◆ Skub spolen fast på drevskaftet (26), og drej den let, indtil den sidder fast. Sørg for, at trimmertråden ikke sætter sig fast under spolen, og at 10-12 cm af trimmertråden stikker ud fra huset.
- ◆ Justér knapperne på spoledækslet efter hullerne i huset.
- ◆ Skub dækslet på huset, indtil det klikker sikkert på plads.

Advarsel! Hvis trimmertråden stikker ud på den anden side af skærebåndet til trimmeren (11), skal den skæres af, så den netop når skærebåndet.

Sådan snoes en ny tråd på en tom spole (fig. E - G)

Du kan sno en ny trimmertråd på en tom spole. Nye pakker med trimmertråd kan fås hos din Black & Decker-forhandler (katalognr. A6170 (25 m), A6171 (40 m)).

- ◆ Fjern den tomme spole fra værktøjet som beskrevet ovenfor.
- ◆ Fjern al gammel trimmertråd fra spolen (27) (fig. E).
- ◆ Stik 2 cm af trimmertråden ind i et af hullerne (28) i spolen som vist (fig. F).
- ◆ Bøj trimmertråden, og fæst den i den L-formede rille (29).
- ◆ Sno trimmertråden på spolen i pilens retning. Sørg for at sno tråden pænt og i lag. Lav ikke vindinger på kryds og tværs (fig. G).
- ◆ Når den vundne trimmertråd er nået til markeringerne (30), skæres tråden af. Lad tråden stikke ca. 12 cm ud fra spolen, og sæt en finger på tråden for at holde den på plads (fig. E).
- ◆ Fortsæt som beskrevet ovenfor med at sætte spolen på værktøjet.

Advarsel! Brug kun den rigtige type trimmertråd fra Black & Decker.

Anvendelse

Advarsel! Lad værktøjet arbejde i dets eget tempo. Det må ikke overbelastes.

Opladning af batteriet (fig. A)

Batteriet skal oplades, før det tages i brug for første gang, og derefter skal der genoplades når maskinen virker træg og ikke længere arbejder med vanlig præstation. Når batteriet oplades for første gang eller efter en længere periode uden at være brugt, kan det kun oplades 80%.

Efter adskillige opladnings- og afladningsperioder opnår batteriet fuld kapacitet. Batteriet kan blive opvarmet under opladning; dette er normalt og er ikke ensbetydende med, at der er problemer.

Advarsel! Batteriet må ikke oplades i omgivelsestemperaturer på under 4 °C eller over 40 °C.

Anbefalet opladningstemperatur: ca. 24 °C.

- ◆ For at oplade batteriet (14), fjernes det fra værktøjet og sættes ind i laderen (15). Batteriet kan kun sættes ind på én måde. Man må ikke tvinge det. Man skal sikre sig, at batteriet er fuldstændig indsat i laderen.
- ◆ Sæt laderen i stikkontakten.

3 timers lader

Batteriet er fuldstændigt opladet efter ca. 3 timer. Det kan fjernes på et hvilket som helst tidspunkt eller efterlades i den tilsluttede lader, så længe det skal være.

1 times lader

- ◆ Check, at den røde opladningsindikator (16) lyser. Hvis den grønne ende af opladningsindikatoren (17) lyser, betyder det, at batteriet er for varmt og derfor ikke kan oplades. Hvis dette sker, fjernes batteriet fra opladeren og køles ned i ca. 1 time, hvorefter det kan sættes i laderen igen.

Efter ca. 1 times opladning holder den røde opladningsindikator op med at lyse, og den grønne ende af opladningsindikatoren lyser. Batteriet er nu fuldt opladet.

- ◆ Fjern batteriet fra opladeren.

Justering af placering af støttehåndtag (fig. H)

Støttehåndtaget (4) kan justeres, så det giver optimal balance og komfort.

- ◆ Lad beskyttelseskærmen (9) hvile på jorden.
- ◆ Løsn håndtagsgrebet (5).
- ◆ Ryk håndtaget til den ønskede position.
- ◆ Stram håndtagsgrebet godt.

Justering af højden (fig. I)

Med teleskopskaftet (31) kan du indstille værktøjet til den mest behagelige højde.

- ◆ Løsn manchetten (6).
- ◆ Øg højden ved at trække skaftet ud.
- ◆ Reducér højden ved at skubbe skaftet sammen.
- ◆ Spænd manchetten.

Start og stop (fig. J)

Af hensyn til brugerens sikkerhed er dette værktøj udstyret med et dobbelt tændingssystem. Dette system forhindrer dig i at starte værktøjet uforvarende.

Tænding

- ◆ Tryk låseknapen (2) tilbage med tommelfingeren, og tryk samtidig på afbryderknappen (1).
- ◆ Slip låseknapen.

Slukning

- ◆ Løsn afbryderknappen (1).

Advarsel! Forsøg aldrig at fastlåse en knap, mens maskinen er tændt.

Indstilling af værktøjet til trimnings- eller kantklipningsindstilling (fig. K - M)

Værktøjet kan bruges i trimningsindstilling som vist på fig. K eller i kantklipningsindstilling for at trimme udhængende græs langs med græsplænekanten og blomsterbedene som vist på fig. L.

Trimningsindstilling (fig. K & M)

Til trimning skal trimmerens hoved være i den position, der er vist på fig. K. Hvis den ikke er det, skal du gøre følgende:

- ◆ Hold på det sekundære håndtag med den ene hånd, og tag manchetten (7) i den anden hånd som vist (fig. K).
- ◆ Skub manchetten i retning af trimmerhovedet, og drej den mod uret, indtil trimmerhovedet kommer i trimningsposition (fig. M).
- ◆ Løsn manchetten.
- ◆ Indstil kantguiden (11) til den tilbagetrukne position.

Kantklipningsindstilling (fig. L & M)

Til kantklipning skal trimmerens hoved være i den position, der er vist på fig. L. Hvis den ikke er det, skal du gøre følgende:

- ◆ Hold på det sekundære håndtag med den ene hånd, og tag manchetten (7) i den anden hånd som vist (fig. L).
- ◆ Skub manchetten i retning af trimmerhovedet, og drej den mod uret, indtil trimmerhovedet kommer i trimningsposition (fig. M).
- ◆ Løsn manchetten.
- ◆ Indstil kantguiden (11) til den tilbagetrukne position.

Gode råd til optimalt brug

Trimning

- ◆ Hold værktøjet som vist på fig. K.
- ◆ Sving trimmeren blødt fra side til side som vist på fig. K.
- ◆ Hvis du arbejder i højt græs, skal du slå det i flere omgange fra toppen.
- ◆ Hold værktøjet væk fra hårde objekter og sarte planter.
- ◆ Hvis værktøjet begynder at køre langsomt, skal belastningen reduceres.

Kantklipping

Du opnår de mest optimale klippingsresultater på kanter, der er dybere end 50 mm.

- ◆ Brug ikke værktøjet til at lave kanter med. Brug i stedet en kantspade.
- ◆ Før værktøjet som vist på fig. L. Hold kantguiden op imod plænekanten.
- ◆ Stil værktøjet skråt, hvis du vil lave en tættere klipping.

Generelt

- ◆ Hvis du vil opnå optimale klipperesultater, skal du kun slå græs, når det er tørt.
- ◆ Hold om muligt batteriet tilsluttet opladeren og ligeledes opladeren tilsluttet strømmen, når værktøjet ikke er i brug.

Vedligeholdelse

Black & Decker værktøjet er blevet designet til at være i drift gennem en længere periode med en minimal vedligeholdelse. Forsat tilfredsstillende drift afhænger af korrekt behandling af værktøjet samt regelmæssig rengøring.

Opladeren kræver ingen anden vedligeholdelse end regelmæssig rengøring.

Advarsel! Før udførelse af vedligeholdelsesopgaver på værktøjet skal batteriet fjernes. Tag opladeren ud af stikkontakten, før den rengøres.

- ◆ Afmontér batteriet, og kontrollér det for skader efter hver anvendelse.
- ◆ Rengør regelmæssigt værktøjets ventilationshuller og oplader med en blød børste eller en tør klud.
- ◆ Rens med jævne mellemrum motorhuset med en fugtig klud. Der må ikke bruges slibemidler eller opløsningsmidler.
- ◆ Rens regelmæssigt trimmertråden og spolen med en blød børste eller en tør klud.
- ◆ Brug jævnligt en stump skraber til at fjerne græs og snavs fra undersiden af beskyttelseskærmen.

Opbevaring

Hvis værktøjet ikke skal bruges i flere måneder, er det bedst at lade batteriet være tilsluttet opladeren. Gør i modsat fald følgende:

- ◆ Oplad batteriet fuldstændigt.
- ◆ Fjern batteriet fra værktøjet.
- ◆ Opbevar værktøjet og batteriet tørt og sikkert. Opbevaringstemperaturen skal altid være inden for intervallet fra +5 °C til +40 °C. Sæt batteriet på en lige overflade.
- ◆ Før værktøjet tages i brug igen efter længere tids opbevaring, skal batteriet oplades fuldt igen.

Fejlfinding

Hvis værktøjet ikke virker korrekt, skal du gøre følgende. Hvis det ikke løser problemet, kontaktes et Black & Decker servicecenter.

Advarsel! Før du fortsætter, skal du fjerne batteriet fra værktøjet.

Værktøjet kører langsomt

- ◆ Kontrollér, at spolehuset kan rotere frit. Rens det eventuelt.
- ◆ Kontrollér, at trimmertråden ikke stikker længere ud end 10-12 cm fra spolehuset. Hvis det er tilfældet, skal den skæres af, så den netop når skæreblandet til trimmertråden.

Den automatiske trådføder virker ikke

- ◆ Hold tapperne inde, og fjern spoledækslet fra huset.
- ◆ Løft spolen ca. 6 mm, og træk i trimmertråden, til den stikker 10-12 cm ud fra huset. Hvis der ikke er tilstrækkelig meget tråd på spolen, skal du indsætte en ny spole trimmertråd som beskrevet ovenfor.
- ◆ Skub spolen på plads igen, og drej den let, indtil den sidder fast.
- ◆ Justér knapperne på spoledækslet efter hullerne i huset.
- ◆ Skub dækslet på huset, indtil det klikker sikkert på plads.
- ◆ Hvis trimmertråden stikker ud på den anden side af skæreblandet på trimmeren, skal den skæres af, så den netop når skæreblandet.

Hvis den automatiske trådføder stadig ikke virker, kan du prøve følgende:

- ◆ Rens omhyggeligt spolehuset.
- ◆ Fjern spolen, og kontrollér, at armen kan bevæge sig frit.
- ◆ Fjern spolen, og sno trimmertråden af. Vind den derefter pænt på spolen igen som beskrevet ovenfor. Sæt spolen på plads igen som beskrevet.

Spolen er blokeret

- ◆ Hold tapperne inde, og fjern spoledækslet fra huset.
- ◆ Rens omhyggeligt spolehuset.
- ◆ Skub dækslet på huset, indtil det klikker sikkert på plads.

Beskyttelse af miljøet



Separat indsamling. Dette produkt må ikke bortskaftes sammen med almindeligt husholdningsaffald.

Hvis du en dag skal udskifte dit Black & Decker produkt, eller hvis du ikke skal bruge det længere, må du ikke bortskaft det sammen med husholdningsaffald. Dette produkt skal være tilgængeligt for separat indsamling.



Separat indsamling af brugte produkter og emballage gør det muligt at genbruge materialer. Genbrugte materialer forebygger miljøforurening og nedbringer behovet for råstoffer.

Lokale regler kan give mulighed for separat indsamling af elektriske husholdningsprodukter på kommunale lossepladser eller hos den forhandler, som du købte produktet af.

Black & Decker har en facilitet til indsamling og genbrug af Black & Decker-produkter, når deres levetid er slut. Få fordelene ved denne service ved at returnere produktet til en autoriseret tekniker, der samler værktøj sammen på vores vegne.

Du kan få oplyst den nærmeste autoriserede tekniker ved at kontakte det lokale Black & Decker-kontor på den adresse, der er angivet i denne brugsanvisning. Alternativt findes der en liste over autoriserede Black & Decker-teknikere og oplysninger om vores eftersalgsservice og kontaktpersoner på Internettet på adressen: **www.2helpU.com**

Batterier



Black & Decker batterier kan oplades mange gange. Ved endt teknisk levetid skal man kassere dem med omtanke for miljøet:

- ◆ Aflad batteriet fuldstændigt, og fjern det derefter fra værktøjet.
- ◆ NiCd- og NiMH-batterier kan genbruges. Bring dem til en autoriseret tekniker eller en lokal genbrugscentral.

Tekniske data

		GLC2500	GLC3000
Spænding	V_{DC}	18	24
Ubelastet hastighed	min^{-1}	6.800	6.800
Vægt	kg	1,8	1,8

Batteri

Spænding	V_{DC}	18	24
Kapacitet	Ah	1,5	1,2
Vægt	kg	0,8	1

Lader

Spænding	V_{AC}	230	230
Opladningstid (ca.)	t	3	3

EU overensstemmelseserklæring

GLC2500/GLC2500NM/GLC3000

Black & Decker erklærer, at disse produkter er i overensstemmelse med følgende:

98/37/EØF, 89/336/EØF, 73/23/EØF, EN 55014, EN 60335, EN 61000, 2000/14/EF, EN 786, EN 28662, EN ISO 3744, EN ISO 11201

Plæneklipper, L = 25 cm, Annex VI, Nr. 0723 SNCH, L-5230 Sandweiler, Luxembourg

Lydniveaueet i henhold til EN ISO 3744:

L_{pA} (lydtryk) 81 dB(A)

L_{WA} (akkustisk kraft) 92 dB(A)

L_{WA} (garanteret) 96 dB(A)

Hånd/arm vægtet vibrationsværdi i henhold til EN 786: < 2,5 m/s²

Kevin Hewitt

Director of Consumer Engineering
Spennymoor, County Durham DL16 6JG,
Storbritannien
1-11-2004

Reserve dele / reparationer

Reserve dele kan købes hos autoriserede Black & Decker serviceværksteder, som giver forslag til omkostninger og reparerer vore produkter. Oversigt over vore autoriserede værksteder findes på internettet på vor hjemmeside **www.blackdecker.dk** samt **www.2helpU.com**

Garanti

Black & Decker garanterer, at produktet er fri for materielle skader og/eller fabrikationsfejl ved levering til kunden. Garantien er et tillæg til konsumentens lovlige rettigheder og påvirker ikke disse. Garantien gælder indenfor medlemsstaterne af den Europæiske Union og i det Europæiske Frihandelsområde.

Hvis et Black & Decker produkt går i stykker på grund af materiel skade og/eller fabrikationsfejl eller på anden måde ikke fungerer i overensstemmelse med specifikationen, inden for 24 måneder fra købsdatoen, påtager Black & Decker sig at reparere eller ombytte produktet med mindst muligt besvær for kunden.

Garantien gælder ikke for fejl og mangler, der er sket i forbindelse med:

- ◆ normal slitage
- ◆ uheldige følger efter unormal anvendelse af værktøjet
- ◆ overbelastning, hærværk eller overdrevent intensivt brug af værktøjet
- ◆ ulykkeshændelse

Garantien gælder ikke hvis reparationer er udført af nogen anden end et autoriseret Black & Decker værksted.

For at udnytte garantien skal produktet og købskvitteringen indleveres til forhandleren eller til et autoriseret værksted, senest 2 måneder efter at fejlen opdages. For information om nærmeste autoriserede værksted: kontakt det lokale Black & Decker kontor på den adresse som er opgivet i brugsanvisningen. Liste over alle autoriserede Black & Decker serviceværksteder samt servicevilkår er tilgængelig på internettet, på adressen **www.2helpU.com**

Gå venligst ind på vores website **www.blackanddecker.com** for at registrere dit nye produkt og for at blive holdt ajour om nye produkter og specialtilbud. Der findes yderligere oplysninger om mærket Black & Decker og vores produktsortiment på adressen **www.blackanddecker.com**

Käyttötarkoitus

Black & Decker -nurmikonviimeistelijä on suunniteltu nurmikon reunojen viimeistelyyn ja nurmikon leikkaukseen ahtaissa paikoissa. Kone on tarkoitettu kotikäyttöön.

Black & Deckerin laturi on suunniteltu ainoastaan koneen mukana toimitetun akun lataamiseen.

Tutustu koneeseen



- ◆ **Varoitus!** Akkukäyttöisiä koneita käytettäessä on aina noudatettava mm. seuraavia turvallisuusohjeita, jotta tulipalojen, akkuvuotojen, henkilövahinkojen ja materiaalivaurioiden riski olisi mahdollisimman pieni.
- ◆ Lue tämä opas huolellisesti läpi ennen työkalun käyttöä oman ja muiden turvallisuuden takia.
- ◆ Tutustu hallintalaitteisiin ja niiden toimintoihin.
- ◆ Varmista, että osaat sammuttaa koneen, ennen kuin käynnistät sen.
- ◆ Säilytä käyttöohje kaikkien koneen käyttäjien ulottuvilla.

Yleiset tiedot

1. Ajattele työskentelyalueen vaikutusta työhösi

Älä altista konetta sateelle äläkä käytä sitä kosteissa tai märissä paikoissa. Käytä konetta vain päivänvalossa tai voimakkaassa keinovalaisuksessa. Älä käytä konetta paikassa, jossa on tulipalo- tai räjähdysvaara, esim. palavien nesteiden tai kaasujen läheisyydessä. Pidä työskentelyalue puhtaana.

2. Työskentele lasten ulottumattomissa

Älä anna lasten, vieraiden tai eläinten tulla lähelle työskentelyaluetta tai koskea koneeseen.

3. Pukeudu asianmukaisesti

Älä käytä liian välijä vaatteita tai koruja. Ne voivat tarttua liikkuviin osiin. Käytä ulkona työskennellessäsi kumihansikkaita ja liukumattomia kenkiä. Jos sinulla on pitkät hiukset, käytä hiusverkkoa.

4. Suojavaatetus

Käytä suojalaseja. Käytä kasvosuojaa, jos työskennellessä syntyy pölyä tai hiukkasia. Käytä kuulosuojaimia, jos melutaso tuntuu epämuikavalta.

5. Älä kurottele

Seiso aina tukevasti ja tasapainossa.

6. Ole tarkkaavainen

Keskity työhösi. Käytä tervettä järkeä. Älä käytä sähkötyökalua, kun olet väsynyt.

7. Kiinnitä työstökappale kunnolla

Käytä ruuvipuristinta tai -kappaletta, jotta työstökappale pysyy kunnolla kiinni. Näin saat molemmat kädet vapaaksi työhön.

8. Poista säätöavaimet ja asennustyökalut

Varmista, että säätöavaimet ja asennustyökalut on poistettu koneesta ennen kuin käynnistät sen.

9. Käytä oikeaa konetta

Käyttö, johon kone on tarkoitettu, on kuvailtu tässä käyttöohjeessa. Älä käytä pieniä työkaluja tai lisälaitteita raskaaseen käyttöön tarkoitettua työkalua vaativassa työssä. Työkalu suoriutuu työstä paremmin ja turvallisemmin, kun sitä käytetään nopeudella johon se on tarkoitettu. Älä ylikuormita konetta. Varoitus! Käytä konetta ainoastaan sellaiseen työhön, johon se on tarkoitettu, ja käytä vain käyttöohjeessa ja tuotekuvastossa suositeltuja tarvikkeita ja lisälaitteita. Ohjeesta poikkeava käyttö voi aiheuttaa onnettomuuden.

10. Tarkista, että kone on kunnossa

Tarkista ennen käyttöä, ettei kone ole vaurioitunut. Tarkista, etteivät liikkuvat ja muut osat sekä suoja ole viallisia, ja että kaikki muut käyttöön mahdollisesti vaikuttavat tekijät ovat kunnossa. Varmista, että kone toimii oikein ja täyttää tehtävänsä. Älä käytä konetta, jos jokin sen osista on viallinen. Älä käytä konetta, jos se ei käynnisty ja pysähdy virrankatkaisijasta. Viallinen osa tulee korjata tai vaihtaa valtuutetussa Black & Deckerin huoltoliikkeessä. Älä koskaan yritä korjata konetta itse.

11. Poista akku

Poista akku, kun konetta ei käytetä, ennen minkään koneen osan, tarvikkeen tai lisävarusteen vaihtamista, sekä ennen huoltoa.

12. Vältä tahatonta käynnistämistä

Älä koskaan kanno konetta sormet kiinni virrankatkaisijassa. Varmista, että työkalu on kytketty pois päältä, kun asennat akkua työkaluun.

13. Huolehdi johdon kunnosta

Älä koskaan kanno laturia johdosta äläkä irrota pistoketta virtalähteestä vetämällä johdosta. Suojaa johto kuumuudelta, öljyltä ja teräviltä reunoilta.

14. Varastoi kone, kun se ei ole käytössä

Kun kone ei ole käytössä, sen ja akun tulee olla varastoituna kuivaan paikkaan lasten ulottumattomissa.

15. Hoida työkalua huolellisesti

Pidä työkalu puhtaana ja käytä teräviä teriä tehokasta ja turvallista työskentelyä varten. Noudata huollosta ja tarvikkeiden vaihdosta annettuja ohjeita. Pidä virrankatkaisija ja kädensijat kuivina ja puhtaina öljystä ja rasvasta.

16. Korjaukset

Tämä kone täyttää voimassa olevat turvallisuusvaatimukset. Korjauksia saa tehdä vain Black & Deckerin valtuuttama huoltoliike, joka käyttää alkuperäisosia, muutoin koneen käyttäjälle saattaa joutua vaaratilanteisiin.

Lisäturvaohteet akuille ja latureille

Akut

- ◆ Älä koskaan yritä avata akkua.
- ◆ Älä altista akkua vedelle.

- ◆ Älä säilytä akkua paikassa, jonka lämpötila saattaa ylittää +40 °C.
- ◆ Lataa akku ainoastaan lämpötilan ollessa 4 °C - +40 °C.
- ◆ Lataa akku käyttäen ainoastaan koneen mukana toimitettua laturia.
- ◆ Kun poistat akun käytöstä, noudata kappaleessa "Ympäristö" annettuja ohjeita.
- ◆ Ääriolosuhteissa akku saattaa vuotaa. Kun havaitset akusta tulevan nestettä, toimi seuraavasti:
 - Kuivaa neste varovasti pois siivousliinalla.
 - Vältä nesteen joutumista iholle.
 - Mikäli nestettä joutuu iholle tai silmiin, noudata alla olevia ohjeita:



Työskentele vähintään 6 m:n etäisyydellä ihmisistä ja eläimistä.



Älä altista konetta sateelle tai kosteudelle.

- ◆ Älä anna lasten tai kenenkään, joka ei ole lukenut tätä käyttöohjetta tai tutustunut koneeseen, käyttää konetta.
- ◆ Suojele jalkojasi käyttämällä tukevia kenkiä tai saappaita.
- ◆ Käytä pitkiä housuja suojataksesi jalkoja.
- ◆ Tarkista kone kulumisen tai vaurioiden varalta ennen työn aloittamista ja iskujen jälkeen. Korjaa puutteet ennen työn jatkamista.
- ◆ Tarkista ennen koneen käyttöä, ettei työskentelyalueella ole oksia, kiviä, metallilankaa tai muita esteitä.
- ◆ Käytä konetta vain pystysuorassa asennossa leikkuulanka lähellä maata. Älä koskaan käynnistä konetta missään muussa asennossa.
- ◆ Liiku hitaasti, kun käytät konetta. Muista, että juuri leikattu ruoho on kosteaa ja liukasta.
- ◆ Älä työskentele jyrkissä rinteissä. Työskentele rinteiden leveydeltä, älä ylös ja alas rinnettä.
- ◆ Älä koskaan kuljeta konetta sora- tai hiekkateiden yli langan pyöriessä.
- ◆ Pidä kädet ja jalat poissa leikkuulangan tieltä etenkin, kun moottori käynnistetään.
- ◆ Varo vahingoittamasta itseäsi langan leikkuuterään. Kun olet pidentänyt uutta leikkuulankaa, aseta kone aina takaisin normaaliin käyttöasentoon ennen käynnistämistä.
- ◆ Älä laita konetta maahan, ennen kuin leikkuulanka on täysin pysähtynyt.
- ◆ Varmista, että ilmanvaihtoaukot ovat puhtaita.
- ◆ Käytä ainoastaan oikean tyyppistä leikkuulankaa. Älä koskaan käytä metallista leikkuulankaa tai ongensiiamaa.
- ◆ Älä koske langan leikkuuterään.
- ◆ Älä koskaan käytä metallista leikkuuosaa.
- ◆ Käytä vain Black & Deckerin varaosia ja tarvikkeita.

Varoitus! Akkuneste (25-30 % kaliumhydroksidiliuosta) saattaa olla haitallista. Jos akkunestettä pääsee iholle, huuhto se välittömästi vedellä. Neutralisoi akkuneste esim. etikalla tai sitruunamehulla. Jos akkunestettä joutuu silmiin, huuhteile silmiä runsaalla puhtaalla vedellä vähintään 10 minuutin ajan. Ota yhteys lääkäriin.

- ◆ Älä polta akkuja.
- ◆ Älä koskaan yritä ladata viallisia akkuja.

Laturit

- ◆ Käytä Black & Decker-laturia ainoastaan koneen mukana toimitetun akun lataamiseen. Muunlaiset akut saattavat räjähtää aiheuttaen henkilö- ja esinevahinkoja.
- ◆ Älä koskaan yritä ladata ei-ladattavia akkuja.
- ◆ Vaihda vialliset johdot välittömästi.
- ◆ Älä altista laturia vedelle.
- ◆ Älä avaa laturia.
- ◆ Älä vahingoita laturia.



Laturi on tarkoitettu vain sisäkäyttöön.

Sähköturvallisuus



Laturi on kaksoeristetty; siksi erillistä maadoitusta ei tarvita. Tarkista aina ennen laitteen käyttöä, että verkkojännite vastaa arvokilvessä ilmoitettua jännitettä. Älä koskaan yritä vaihtaa laturia normaaliin verkkovirtapistokkeeseen.



Osoittaa henkilövahingon, hengenmenetyksen tai konevaurion vaaran, mikäli käyttöohjeen neuvoja ei noudateta.



Lue käyttöohje huolellisesti ennen koneen käyttöönottoa.

Lisäturvallisuusohjeet nurmikonviimeistelijälle

Koneessa on seuraavat varoitusmerkit:



Käytä suojalaseja konetta käyttäessäsi.



Varoitus! Leikkuulanka jatkaa pyörimistään lyhyen aikaa koneen sammutuksen jälkeen. Älä koskaan yritä pysäyttää lankaa, vaan anna sen pysähtyä itsestään.

Yleiskatsaus

1. Virrankatkaisija
2. Lukitusnappi
3. Pääkädensija
4. Lisäkädensija
5. Kädensijan säätöruuvi

6. Kädensijan säädin
7. Toimintatilan säädin
8. Moottorikotelo
9. Suoja
10. Langan leikkuuterä
11. Reunaohjain
12. Kelakotelo
13. Leikkuulanka
14. Akku

Kuva A

15. Laturi
16. Latausvalo - lataus käynnissä
17. Latausvalo - akku täynnä

Kokoaminen

Varoitus! Poista akku koneesta aina ennen kokoamista.

Akun kiinnittäminen ja poistaminen (kuva B)

- ◆ Kiinnitä akku (14) asettamalla se koneen liitännän kanssa samaan linjaan. Liu'uta akkua liitännään, kunnes se lukittuu paikalleen.
- ◆ Poista akku painamalla vapautusnappia (18) samanaikaisesti, kun vedät akkua irti.

Suojan kiinnittäminen (kuva C)

Varoitus! Älä koskaan käytä konetta, jos jokin suoja tai kotelo on vaurioitunut tai ei ole paikallaan.

- ◆ Aseta suoja (9) koneeseen kuvan mukaisesti. Kohdistaa suojan reiät (19) koneen ulokkeisiin (20).
- ◆ Paina suoja, kunnes se napsahtaa paikalleen (A).
- ◆ Paina suoja eteenpäin (B).
- ◆ Kiristä ruuvit (21) kunnolla.

Varoitus! Älä koskaan käytä konetta, jos suoja ei ole kiinnitetty oikein paikalleen.

Uuden lankakelan kiinnittäminen (kuva D)

Uusia lankakeloja myyvät Black & Decker –tuotteiden jälleenmyyjät (tuotenro A6481).

- ◆ Pidä kielekkeitä (22) painettuna ja poista kelan suojuus (23) kotelosta (12).
- ◆ Poista tyhjä kela (24) kotelosta.
- ◆ Poista kaikki lika ja ruoho kotelosta.
- ◆ Vedä leikkuulankaa esiin uudelta kelalta noin 12 cm.
- ◆ Pujota leikkuulanka reiästä (25).
- ◆ Laita kela akseliin (26) ja kierrä kelaa hieman, kunnes se asettuu paikalleen. Varmista, että leikkuulanka ei jää kelan alle ja että sitä tulee ulos kotelosta 10-12 cm.
- ◆ Kohdista kelan suojuksen kielekkeet kotelon reikiin.
- ◆ Paina suojuus koteloon, kunnes se napsahtaa kiinni paikalleen.

Varoitus! Jos leikkuulanka ylettyy leikkuuterän (11) yli, leikkaa se lyhyemmäksi niin, että se on terän kohdalla.

Uuden langan kiertäminen tyhjään kelaan (kuva E - G)

Tyhjään kelaan on mahdollista kiertää uusi leikkuulanka.

Lankapakkauksia myyvät Black & Decker –tuotteiden jälleenmyyjät (tuotenrot: A6170 (25 m), A6171 (40 m)).

- ◆ Poista tyhjä kela koneesta aiempien ohjeiden mukaisesti.
- ◆ Poista kaikki vanha leikkuulanka kelasta (27) (kuva E).
- ◆ Syötä 2 cm leikkuulankaa toiseen kelan rei'istä (28) kuvan mukaisesti (kuva F).
- ◆ Taita leikkuulanka ja kiinnitä se L-muotoiseen uraan (29).
- ◆ Kierrä leikkuulanka kelalle nuolen suuntaan. Kierrä lankaa tasaisesti eri kerroksiin. Älä kierrä sitä ristiin (kuva G).
- ◆ Kun leikkuulankaa on kierretty syvennykseen (30) asti, katkaise lanka. Anna lankaa tulla ulos kelalta noin 12 cm ja pidä lankaa paikallaan painamalla sitä sormella (kuva E).
- ◆ Kiinnitä kela koneeseen aikaisempien ohjeiden mukaisesti.

Varoitus! Käytä vain Black & Deckerin suosittelemaa leikkuulankaa.

Käyttö

Varoitus! Anna koneen käydä omaan tahtiinsa. Älä ylikuormita sitä.

Akun lataaminen (kuva A)

Akku tulee ladata ennen ensimmäistä käyttökertaa ja aina silloin, kun se ei enää tuota riittävästi virtaa toimintoihin, jotka aikaisemmin hoituivat helposti. Ladatessasi akkua ensimmäistä kertaa tai pitkäaikaisen säilytyksen jälkeen, latautuu se vain 80 %:sesti. Usean lataamis- ja tyhjentyiskerran jälkeen akku saavuttaa täyden kapasiteettinsa. Akku voi lämmetä ladataessa; tämä on normaalia eikä ole merkinä minkäänlaisesta ongelmasta.

Varoitus! Älä lataa akkua alle +4 °C tai yli +40 °C asteen lämpötiloissa. Suositeltu lämpötila lataamiseen on noin +24 °C.

- ◆ Akun (14) lataamiseksi poista se koneesta ja aseta se laturiin (15). Akku sopii laturiin vain yhdessä asennossa. Älä laita sitä laturiin väkisin. Varmista, että akku on kunnolla laturissa.
- ◆ Liitä laturi virtalähteeseen.

3 tunnin laturi

Akku on latautunut täyteen noin 3 tunnissa. Se voidaan poistaa koska tahansa tai jättää laturiin määräämättömäksi ajaksi.

1 tunnin laturi

- ◆ Tarkista, että punainen latausvalo (16) palaa. Mikäli punaisen sijasta palaa vihreä latausvalo (17), on akku liian kuuma, eikä sitä voi ladata. Jos näin tapahtuu, poista akku laturista, anna sen jäähtyä noin tunnin ajan ja aseta se sitten takaisin.

Noin tunnin lataamisen jälkeen punainen latausvalo sammuu ja vihreä latausvalo syttyy. Akku on nyt latautunut täyteen.

- ◆ Poista akku laturista.

Lisäkädensijan asennon säätäminen (kuva H)

Lisäkädensijaa (4) voidaan säätää optimaalisen tasapainon ja käyttömukavuuden saavuttamiseksi.

- ◆ Anna suojan (9) nojata maahan.
- ◆ Löysää kädensijan säätöruuvia (5).
- ◆ Käännä kädensija haluttuun asentoon.
- ◆ Kiristä kädensijan säätöruuvi kunnolla.

Korkeuden säätäminen (kuva I)

Teleskooppivarren (31) ansiosta voit säätää koneen itsellesi sopivaan korkeuteen.

- ◆ Löysää istukka (6).
- ◆ Nosta korkeutta liu'uttamalla akselia ulos.
- ◆ Laske korkeutta liu'uttamalla akselia sisään.
- ◆ Kiristä istukka.

Käynnistys ja pysäytys (kuva J)

Turvallisuussyistä koneessa on kaksoisvirrankkaisija. Tällä tavoin estetään koneen käynnistyminen vahingossa.

Koneen käynnistys

- ◆ Työnnä lukitusnappia (2) taaksepäin peukalolla ja paina samanaikaisesti virrankkaisijaa (1).
- ◆ Päästä irti lukitusnappia.

Koneen pysäytys

- ◆ Päästä irti virrankkaisijasta (1).

Varoitus! Älä koskaan yritä lukita virrankkaisijaa käynnistysasentoon.

Koneen asettaminen viimeistely- tai reunaleikkuuasentoon (kuvat K - M)

Konetta voidaan käyttää joko viimeistelyyn kuten kuvassa K tai reunaleikkuuseen ruohon leikkaamiseksi nurmikon ja kukkapenkien reunoilta kuten kuvassa L.

Viimeistely (kuvat K & M)

Viimeistelyä varten leikkuupään tulee olla kuvan K mukaisessa asennossa. Jos näin ei ole, toimi seuraavasti:

- ◆ Pidä lisäkädensijasta kiinni toisella kädellä ja ota kiinni kääntöpyörästä (7) toisella kädellä kuten kuvassa (kuva K).

- ◆ Paina kääntöpyörää leikkuupäätä kohti ja kierrä sitä vastapäivään, kunnes leikkuupää lukkiutuu viimeistelyasentoon (kuva M).
- ◆ Päästä irti kääntöpyörästä.
- ◆ Aseta reunaohjain (11) taka-asentoon.

Reunaleikkuu (kuvat L & M)

Reunaleikkuuta varten leikkuupään tulee olla kuvan L mukaisessa asennossa. Jos näin ei ole, toimi seuraavasti:

- ◆ Pidä lisäkädensijasta kiinni toisella kädellä ja ota kiinni kääntöpyörästä (7) toisella kädellä kuten kuvassa (kuva L).
- ◆ Paina kääntöpyörää leikkuupäätä kohti ja kierrä sitä myötäpäivään, kunnes leikkuupää lukkiutuu reunanleikkuuasentoon (kuva M).
- ◆ Päästä irti kääntöpyörästä.
- ◆ Aseta reunaohjain (11) taka-asentoon.

Vinkejä parhaimman tuloksen saamiseksi

Viimeistely

- ◆ Pidä konetta kuten kuvassa K.
- ◆ Liikuta viimeistelijää pehmeästi puolelta toiselle kuvan K mukaisesti.
- ◆ Leikkaa pitkää ruohoa asteittain ylhäältä lähtien.
- ◆ Vältä kovia esineitä tai hentoja kasveja.
- ◆ Jos kone alkaa käydä hitaasti, vähennä kuormitusta.

Reunaleikkuu

Parhaimman tuloksen saa reunoissa, jotka ovat yli 50 mm syviä.

- ◆ Älä tee reunoja koneella. Tee reunat käyttäen sopivaa lapiota.
- ◆ Ohjaa konetta kuten kuvassa L. Pidä reunaohjain nurmikon reunaa vasten.
- ◆ Jos haluat leikata lähempää, kallista konetta hieman.

Yleiset tiedot

- ◆ Saadaksesi parhaimman tuloksen leikkaa ainoastaan kuivaa ruohoa.
- ◆ Pidä akku liitettynä laturiin ja laturi kytkettynä virtalähteeseen aina, kun kone ei ole käytössä.

Huolto

Black & Deckerin kone on suunniteltu toimimaan mahdollisimman pitkään aikaa mahdollisimman vähällä huollolla. Oikealla huollolla ja säännöllisellä puhdistuksella kone säilyttää suorituskykynsä.

Laturi ei tarvitse säännöllisen puhdistamisen lisäksi minkään muunlaista huoltoa.

Varoitus! Poista akku ennen työkalun huoltamista. Irrota laturi virtalähteestä ennen puhdistamista.

- ◆ Irrota akku käytön jälkeen ja tarkista kone vaurioiden varalta.
- ◆ Puhdista koneen ja laturin ilma-aukot säännöllisesti pehmeällä harjalla tai kuivalla siivousliinalla.
- ◆ Puhdista työkalun kuori säännöllisesti kostealla siivousliinalla. Älä koskaan käytä puhdistamiseen liuotinaineita tai syövyttäviä puhdistusaineita.
- ◆ Puhdista leikkuulanka ja kela säännöllisesti pehmeällä harjalla tai kuivalla rievulla.
- ◆ Poista ruoho ja lika säännöllisesti suojan alapuolelta tylläällä kaapimella.

Säilytys

Jos konetta ei aiota käyttää useampaan kuukauteen, akun tulisi olla liitettyä laturiin. Noudata muussa tapauksessa seuraavia ohjeita:

- ◆ Lataa akku täyteen.
- ◆ Poista akku koneesta.
- ◆ Säilytä konetta ja akkua turvallisessa ja kuivassa paikassa. Säilytyspaikan lämpötilan täytyy aina olla +5 °C - +40 °C. Aseta akku tasaiselle alustalle.
- ◆ Lataa akku täyteen ennen kuin käytät konetta pitkäaikaisen säilytyksen jälkeen.

Vianmääritys

Jos kone ei näytä toimivan oikein, noudata seuraavia ohjeita. Jos kone ei tästä huolimatta toimi, ota yhteyttä valtuutettuun Black & Deckerin huoltopisteeseen.

Varoitus! Poista akku koneesta, ennen kuin jatkat.

Kone käy hitaasti

- ◆ Tarkista, että kelan kotelo pääsee pyörimään esteettä. Puhdista se varovasti tarvittaessa.
- ◆ Tarkista, että leikkuulankaa ei tule ulos kelan kotelosta yli 10-12 cm. Jos tulee, katkaise lanka niin, että se tulee lähemmäksi leikkuuterää.

Automaattinen langansyöttö ei toimi

- ◆ Pidä kielekkeitä painettuna ja poista kelan suojus kotelosta.
- ◆ Nosta kelaa noin 6 mm ja vedä leikkuulankaa, kunnes sitä tulee ulos kotelosta 10-12 cm. Jos kelalla ei ole tarpeeksi leikkuulankaa, asenna uusi leikkuulankakela aikaisempien ohjeiden mukaan.
- ◆ Paina kela takaisin ja pyöritä sitä hieman, kunnes se asettuu paikalleen.
- ◆ Kohdista kelan suojuksen kielekkeet kotelon reikiin.
- ◆ Paina suojus koteloon, kunnes se napsahtaa kiinni paikalleen.
- ◆ Jos leikkuulankaa tulee ulos leikkuuterän yli, katkaise lanka niin, että se juuri saavuttaa terän.

Jos automaattinen langansyöttö ei vielääkään toimi, kokeile seuraavia toimenpiteitä:

- ◆ Puhdista kelan kotelo huolellisesti.
- ◆ Poista kela ja tarkista, että sen vipu pääsee liikkumaan esteettä.
- ◆ Poista kela, pura leikkuulanka kelalta ja kierrä se sitten tasaisesti takaisin aikaisempien ohjeiden mukaisesti. Laita kela takaisin aikaisempien ohjeiden mukaisesti.

Kela on jumitunut

- ◆ Pidä kielekkeitä painettuna ja poista kelan suojus kotelosta.
- ◆ Puhdista kelan kotelo huolellisesti.
- ◆ Paina suojus koteloon, kunnes se napsahtaa kiinni paikalleen.

Ympäristö



Erillinen keräys. Tätä tuotetta ei saa hävittää normaalin kotitalousjätteen kanssa.

Kun Black & Decker -koneesi on käytetty loppuun, älä hävitä sitä kotitalousjätteen mukana. Tämä tuote on kerätävä erikseen.



Käytettyjen tuotteiden ja pakkausten erillinen keräys mahdollistaa materiaalin kierrätyksen ja uudelleenkäytön. Kierrätettyjen materiaalien uudelleenkäyttö auttaa ehkäisemään ympäristön saastumisen ja vähentää raaka-aineiden kysyntää.

Paikallisten säännösten mukaisesti on mahdollista viedä kotitalouksien sähkölaitteet kuntien kaatopaikoille tai jättää ne vähittäismyyjälle ostettaessa uusi tuote.

Black & Decker tarjoaa mahdollisuuden Black & Decker –tuotteiden keräykseen ja kierrätykseen sen jälkeen, kun ne on poistettu käytöstä. Jotta voit hyötyä tästä palvelusta, palauta laitteesi johonkin valtuutettuun huoltoliikkeeseen, joka kerää laitteet meidän puolestamme.

Voit tarkistaa lähimmän valtuutetun huoltoliikkeen sijainnin ottamalla yhteyden Black & Deckerin toimistoon, joka sijaitsee tässä käsikirjassa annetussa osoitteessa. Lista valtuutetuista Black & Decker -huoltoliikkeistä sekä yksityiskohtaiset tiedot korjauspalvelustamme ovat vaihtoehtoisesti saatavilla Internetissä, osoitteessa www.2helpU.com

Akut



Black & Deckerin akut voidaan ladata useaan kertaan. Vie loppuunkäytetyt akut niille tarkoitettuun keräyspaikkaan tai –astiaan:

- ◆ Käytä akku täysin loppuun ja poista se sitten työkalusta.

- ◆ NiCd- ja NiMH-akut ovat kierrätettäviä. Voit viedä ne mihin tahansa valtuutettuun huoltoliikkeeseen tai paikalliseen kierrätyskeskukseen. Kerätyt akut toimitetaan kierrätykseen tai käsitellään asianmukaisesti.

Tekniset tiedot

	GLC2500	GLC3000
Jännite	V_{DC} 18	24
Kuormittamaton nopeus	min^{-1} 6.800	6.800
Paino	kg 1,8	1,8

Akku

Jännite	V_{DC} 18	24
Teho	Ah 1,5	1,2
Paino	kg 0,8	1

Laturi

Jännite	V_{AC} 230	230
Latausaika (noin)	h 3	3

EU:n yhdenmukaisuusilmoitus

GLC2500/GLC2500NM/GLC3000

Black & Decker vakuuttaa näiden tuotteiden olevan seuraavien standardien vaatimusten mukaisia:
98/37/EC, 89/336/EEC, 73/23/EEC, EN 55014,
EN 60335, EN 61000, 2000/14/EC, EN 786, EN 28662, EN ISO
3744, EN ISO 11201

Nurmikonviimeistelijä, L = 25 cm, Annex VI, No. 499
SNCH, L-5230 Sandweiler, Luxembourg

Melutaso, mitattu EN ISO 3744:n mukaisesti:

L_{pA} (äänenpaine) 81 dB(A)
 L_{WA} (ääniteho) 92 dB(A)
 L_{WA} (taattu) 96 dB(A)

Käden painotettu värinäarvo EN 786:n mukaisesti: < 2,5 m/s²



Kevin Hewitt
Director of Consumer Engineering
Spennymoor, County Durham DL16 6JG,
Iso-Britannia
1-11-2004

Korjaukset / varaosat

Mikäli koneeseen tulee vikaa, jätä se aina Black & Deckerin valtuuttamaan huoltoliikkeeseen korjattavaksi (tiedot löytyvät uusimmasta tuoteluettelostamme tai ottamalla yhteyttä Black & Decker Oy:hyn). Varaosia myyvät valtuutetut Black & Deckerin huoltoliikkeet, ja heiltä voi myös pyytää kustannusarvion koneen korjauksesta.

Tiedot valtuutetuista huoltoliikkeistä löytyvät myös internetistä osoitteesta www.2helpU.com sekä kotisivuiltamme www.blackdecker.fi

Takuu

Black & Decker Oy takaa, ettei koneessa ollut materiaali- ja/ tai valmistusvikaa silloin, kun se toimitettiin ostajalle. Takuu on lisäys kuluttajan laillisiin oikeuksiin eikä vaikuta niihin. Takuu on voimassa Euroopan Unionin jäsenmaissa ja Euroopan vapaakauppa-alueella (EFTA).

Mikäli Black & Decker -kone hajoaa materiaali- ja/ tai valmistusvirheen tai teknisten tietojen epätarkkuuden vuoksi 24 kk:n kuluessa ostopäivästä, Black & Decker korjaa koneen ilman kustannuksia ostajalle tai vaihtaa sen uuteen Black & Decker Oy:n valinnan mukaan.

Takuu ei kata vikoja, jotka johtuvat koneen

- ◆ normaalista kulumisesta
- ◆ ylikuormituksesta, virheellisestä käytöstä tai hoidosta
- ◆ vahingoittamisesta vieraalla esineellä tai aineella tai onnettomuustapauksessa.

Takuu ei ole voimassa, mikäli konetta on korjannut joku muu kuin Black & Deckerin valtuuttama huoltoliike.

Edellytyksenä takuun saamiselle on, että ostaja jättää koneen ja ostokuitin jälleenmyyjälle tai valtuutetulle huoltoliikkeelle viimeistään 2 kuukauden kuluessa vian ilmenemisestä. Tiedot valtuutetuista huoltoliikkeistä saa ottamalla yhteyttä Black & Decker Oy:hyn sekä internetistä osoitteesta www.2helpU.com, jossa on myös takuehdot.

Voit vierailla verkkosivuiltamme www.blackanddecker.com rekisteröidäksesi uuden Black & Decker-tuotteesi ja saadaksesi tietoa uusista tuotteista ja erikoistarjouksista. Saat lisätietoja Black & Deckerin tavaramerkistä ja tuotevalikoimastamme osoitteesta www.blackanddecker.com

Ενδεδειγμένη χρήση

Η μηχανή φινιρίσματος χόρτου της Black & Decker έχει σχεδιαστεί για το φινιρίσμα χόρτου και άκρων (μπορντούρα), καθώς και για την κοπή χόρτου σε περιορισμένους χώρους. Αυτό το εργαλείο προορίζεται μόνο για ερασιτεχνική χρήση. Ο φορτιστής σας Black & Decker έχει σχεδιαστεί για τη φόρτιση της μπαταρίας του εργαλείου, το οποίο συνοδεύει.

Γνωρίζετε το εργαλείο



- ◆ **Προειδοποίηση!** Κατά τη χρήση επαναφορτιζόμενων εργαλείων, θα πρέπει πάντα να λαμβάνονται οι βασικές προφυλάξεις ασφαλείας, για τον περιορισμό του κινδύνου πυρκαγιάς, διαρροής υγρού από μπαταρίες, σωματικών βλαβών και υλικών ζημιών.
- ◆ Στις προφυλάξεις αυτές συμπεριλαμβάνονται και οι ακόλουθες: Για τη δική σας ασφάλεια, όπως και για την ασφάλεια όσων βρίσκονται στον ίδιο χώρο, διαβάστε ολόκληρο το παρόν εγχειρίδιο πριν χρησιμοποιήσετε το εργαλείο.
- ◆ Εξοικειωθείτε με τα χειριστήρια και τη σωστή χρήση του εργαλείου.
- ◆ Πριν χρησιμοποιήσετε το εργαλείο αυτό, βεβαιωθείτε ότι γνωρίζετε πώς να σβήσετε το εργαλείο σε περίπτωση έκτακτης ανάγκης.
- ◆ Φυλάξτε το εγχειρίδιο αυτό για να μπορείτε να ανατρέξετε σε αυτό στο μέλλον.

Γενικές πληροφορίες

1. Λάβετε υπόψη τις επιδράσεις του περιβάλλοντος

Μην εκθέτετε ηλεκτρικά εργαλεία σε υγρασία. Μην χρησιμοποιείται το εργαλείο σε συνθήκες υγρασίας. Χρησιμοποιείτε το εργαλείο μόνο στο φως της ημέρας ή σε καλό τεχνητό φως. Μη χρησιμοποιείτε το εργαλείο αν υπάρχει κίνδυνος να προκληθεί πυρκαγιά ή έκρηξη, π.χ. κοντά σε εύφλεκτα υγρά και αέρια. Φροντίστε στο χώρο εργασίας να μην υπάρχουν υπολείμματα και εμπόδια.

2. Κρατάτε τα παιδιά σε απόσταση

Μην επιτρέπετε σε παιδιά, επισκέπτες ή ζώα να πλησιάζουν στο χώρο εργασίας ή να αγγίζουν το εργαλείο.

3. Φοράτε τα κατάλληλα ρούχα εργασίας

Μη φοράτε φαρδιά ρούχα ή κοσμήματα γιατί υπάρχουν πιθανότητα να πιαστούν στα κινούμενα μέρη. Για υπαίθριες εργασίες συνιστώνται λαστιχένια γάντια και υποδήματα που δεν γλιστρούν. Εάν έχετε μακριά μαλλιά, να τα καλύπτετε για να μη μπλεχτούν.

4. Ατομική προστασία

Φορέστε προστατευτικά γυαλιά. Φορέστε μάσκα προσώπου ή προστασίας από τη σκόνη, στις περιπτώσεις που η εργασία ενδέχεται να προκαλέσει την παραγωγή σκόνης ή αιωρούμενων σωματιδίων. Φοράτε ωσπίδες σε περιπτώσεις που η στάθμη του θορύβου σας προκαλεί δυσφορία.

5. Μη σκύβετε πάρα πολύ

Φροντίστε πάντοτε να έχετε την κατάλληλη στάση και να διατηρείτε την ισορροπία σας.

6. Να είστε πάντα προσεκτικοί

Παρακολουθείτε την εργασία σας. Ενεργείτε λογικά.

Μη χρησιμοποιείτε το εργαλείο όταν είστε κουρασμένος.

7. Στήριξτε με ασφαλή τρόπο το αντικείμενο στο οποίο εργάζεστε

Χρησιμοποιείτε σφιγκτήρες ή μέγγενη για το σκοπό αυτό. Η μέθοδος αυτή είναι ασφαλέστερη και ελευθερώνει και τα δύο σας χέρια για το χειρισμό του εργαλείου.

8. Απομακρύνετε από το μηχάνημα τα κλειδιά που χρησιμοποιείτε για τη ρύθμισή του

Πριν βάλετε σε λειτουργία το εργαλείο, βεβαιωθείτε πάντα ότι έχετε βγάλει από αυτό τα κλειδιά για τη ρύθμισή του.

9. Χρησιμοποιείτε το σωστό εργαλείο

Η ενδεδειγμένη χρησιμοποίηση αναφέρεται σε αυτές τις οδηγίες χρήσεως. Μη χρησιμοποιείτε εργαλεία χαμηλής ισχύος ή προσθήκες για βαριές εργασίες. Το εργαλείο σας θα λειτουργήσει επιτυχέστερα και ασφαλέστερα εάν χρησιμοποιηθεί σύμφωνα με τις προδιαγραφές του. Μη ζορίζετε το εργαλείο.

Προειδοποίηση! Όσο η χρήση εξαρτημάτων ή προσθηκών όσο και η πραγματοποίηση εργασιών που δεν συνιστώνται στις οδηγίες αυτές εγκυμονεί κίνδυνο τραυματισμού.

10. Ελέγχετε εάν το εργαλείο σας έχει θλάβες

Πριν από τη χρήση, ελέγξτε προσεκτικά το εργαλείο για τυχόν ζημιές. Ελέγξτε για τυχόν κακή ευθυγράμμιση και εμπλοκή των κινουμένων μερών, για εξαρτήματα που έχουν σπάσει, για τυχόν ζημιές στους προφυλακτήρες και στους διακόπτες και γενικά για κάθε είδους συνθήκες οι οποίες ενδεχομένως να επηρεάσουν τη λειτουργία του μηχανήματος. Βεβαιωθείτε ότι το εργαλείο λειτουργεί κανονικά και χρησιμοποιείται για το σκοπό για τον οποίο προορίζεται. Μη χρησιμοποιείτε το εργαλείο αν κάποιο εξάρτημά του παρουσιάζει ελάττωμα. Μη χρησιμοποιείτε το εργαλείο, εάν ο διακόπτης δεν μπορεί να το θέσει εντός ή εκτός λειτουργίας. Ζητήστε από εξουσιοδοτημένο συνεργείο σέρβις την επισκευή ή την αντικατάσταση όλων των φθαρμένων ή ελαττωματικών εξαρτημάτων. Ποτέ μην επιχειρήσετε να επισκευάσετε οι ίδιοι το μηχάνημα.

11. Αφαιρέστε τη μπαταρία

Αφαιρέστε τη μπαταρία όταν το εργαλείο δεν χρησιμοποιείται, προτού αλλάξετε οποιοδήποτε ανταλλακτικό, παρελκόμενο ή εξάρτημα του εργαλείου, και πριν από τη συντήρησή του.

12. Αποφύγετε την τυχαία εκκίνηση του εργαλείου

Μη μεταφέρετε το εργαλείο έχοντας το δακτυλό σας πάνω στο διακόπτη εκκίνησης. Βεβαιωθείτε ότι κατά την εισαγωγή της μπαταρίας, το εργαλείο είναι οβηστό.

13. Μην κακομεταχειρίζεστε το καλώδιο

Ποτέ μη μεταφέρετε το φορτιστή κρατώντας τον από το καλώδιο και μην τον τραβάτε από το καλώδιο για να το βγάλετε από την πρίζα. Φροντίστε το καλώδιο να παραμένει μακριά από θερμότητα, λάδια και αιχμηρά άκρα.

14. Φυλάγετε τα εργαλεία σας σε ασφαλές μέρος

Όταν δεν χρησιμοποιούνται, τα εργαλεία, φορτιστές και οι μπαταρίες πρέπει να αποθηκεύονται σε ξηρό χώρο, μακριά από τα παιδιά.

15. Συντηρήστε προσεκτικά τα εργαλεία

Φροντίστε τα εργαλεία σας να είναι κοφτερά και καθαρά, ώστε να προσφέρουν υψηλή απόδοση και ασφάλεια κατά τη χρήση τους. Ακολουθήστε τις σχετικές οδηγίες σε ότι αφορά τη συντήρηση και την αλλαγή των εξαρτημάτων. Φροντίστε οι λαβές και οι διακόπτες να είναι στεγνοί, καθαροί και χωρίς λάδια ή γράσα.

16. Επισκευές

Το εργαλείο αυτό συμμορφώνεται με τις σχετικές προϋποθέσεις ασφαλείας. Οι επισκευές θα πρέπει να γίνονται μόνο από ειδικευμένους τεχνικούς και με τη χρήση αποκλειστικά γνήσιων ανταλλακτικών, διαφορετικά υπάρχει το ενδεχόμενο σοβαρού κινδύνου για το χρήστη.

Επιπρόσθετες οδηγίες ασφαλείας για μπαταρίες και φορτιστές**Μπαταρίες**

- ◆ Μην επιχειρήσετε ποτέ να την ανοίξετε, για κανένα λόγο.
- ◆ Μην εκθέτετε την μπαταρία σε νερό.
- ◆ Μην την αποθηκεύετε σε χώρους όπου η θερμοκρασία μπορεί να υπερβεί τους 40 °C.
- ◆ Να τη φορτίζετε μόνο σε θερμοκρασία περιβάλλοντος μεταξύ 4 °C και 40 °C.
- ◆ Η φόρτιση πρέπει να γίνεται μόνο με το φορτιστή που παρέχεται με το εργαλείο.
- ◆ Όσον αφορά την απόρριψη των μπαταριών, ακολουθήστε τις οδηγίες που παρατίθενται στην ενότητα “Προστασία του περιβάλλοντος”.
- ◆ Σε περίπτωση έκθεσης σε ακραίες συνθήκες, η μπαταρία ενδέχεται να παρουσιάσει διαρροή. Αν παρατηρήσετε υγρά στην μπαταρία, ενεργήστε ως ακολούθως:
 - Σκουπίστε προσεκτικά τα υγρά με ένα πανί. Αποφύγετε την επαφή με το δέρμα.
 - Σε περίπτωση επαφής με το δέρμα ή τα μάτια, ακολουθήστε τις παρακάτω οδηγίες.

Προειδοποίηση! Το υγρό μπαταριών, ένα διάλυμα 25-30% υδροξειδίου του καλίου, μπορεί να είναι βλαβερό.

Σε περίπτωση δερματικής επαφής, ξεπλύνετε αμέσως με νερό. Εξουδετερώστε με ήπιο οξύ όπως χυμός λεμονιού ή ξίδι. Σε περίπτωση επαφής με τα μάτια, ξεπλύνετε με άφθονο καθαρό νερό για τουλάχιστον 10 λεπτά. Συμβουλευτείτε γιατρό.

- ◆ Μην καίτε την μπαταρία.
- ◆ Μην φορτίζετε κατεστραμμένες μπαταρίες.

Φορτιστές

- ◆ Χρησιμοποιήστε μόνο το φορτιστή της Black & Decker για τη φόρτιση μπαταριών του τύπου που συνοδεύει το εργαλείο σας. Σε άλλες μπαταρίες ενδέχεται να σημειωθεί διάρρηξη, προκαλώντας τραυματισμό και ζημιά.
- ◆ Μην επιχειρήσετε ποτέ να επαναφορτίσετε μη επαναφορτιζόμενες μπαταρίες.
- ◆ Αντικαταστήστε αμέσως τα ελαττωματικά καλώδια.
- ◆ Μην εκθέτετε το φορτιστή σε νερό.
- ◆ Μην ανοίγετε το φορτιστή.
- ◆ Μην επιχειρήσετε να διερευνήσετε το εσωτερικό του φορτιστή.



Ο φορτιστής προορίζεται μόνο για χρήση σε εσωτερικούς χώρους.

Ασφαλής χρήση του ηλεκτρικού ρεύματος

Ο φορτιστής σας φέρει διπλή μόνωση, επομένως δεν απαιτείται σύρμα γείωσης. Ελέγχετε πάντα αν η τάση τροφοδοσίας αντιστοιχεί σε αυτήν που αναγράφεται στην πινακίδα χαρακτηριστικών. Ποτέ μην επιχειρήσετε να υποκαταστήσετε το φορτιστή με κοινή πρίζα ρεύματος.

Πρόσθετες οδηγίες ασφαλείας για μηχανές φινιρίσματος χόρτου

Πάνω στο εργαλείο υπάρχουν τα ακόλουθα προειδοποιητικά σύμβολα:



Κατά τη χρήση αυτού του εργαλείου, να φοράτε προστατευτικά γυαλιά.



Προειδοποίηση! Το νήμα κοπής θα συνεχίσει να κινείται για μερικά δευτερόλεπτα μετά από το σβήσιμο του εργαλείου. Ποτέ μην επιχειρήσετε να φρενάρτε βεβιασμένα το νήμα.



Φροντίστε τα άλλα άτομα καθώς και ζώα να βρίσκονται σε απόσταση τουλάχιστον 6 μέτρων από την περιοχή κοπής.



Μην αφήνετε το εργαλείο εκτεθειμένο σε βροχή ή σε έντονη υγρασία.

- ◆ Ποτέ μην επιτρέπετε σε μικρά παιδιά ή σε άτομα που δεν έχουν διαβάσει το εγχειρίδιο οδηγιών να χρησιμοποιήσουν το εργαλείο.
- ◆ Να φοράτε χοντρά υποδήματα ή μπότες για να προστατέψετε τα πόδια σας.
- ◆ Να φοράτε μακριά παντελόνια για να προστατέψετε τα πόδια σας.
- ◆ Πριν χρησιμοποιήσετε το εργαλείο και μετά από οποιαδήποτε πρόσκρουση, να ελέγξετε για ενδεχόμενα σημάδια φθοράς ή ζημιάς και προβείτε στις απαραίτητες επιδιορθώσεις.
- ◆ Πριν χρησιμοποιήσετε το εργαλείο, βεβαιωθείτε ότι στη διαδρομή κοπής σας δεν υπάρχουν κλαδιά, πέτρες, σύρματα ή οποιοδήποτε άλλο εμπόδιο.
- ◆ Χρησιμοποιείτε το εργαλείο μόνο στην κατακόρυφη θέση, με το νήμα κοπής κοντά στο έδαφος. Ποτέ μην ανάβετε το εργαλείο αν βρίσκεται σε οποιαδήποτε άλλη θέση.
- ◆ Να κινείστε αργά όταν χρησιμοποιείτε το εργαλείο. Να έχετε υπόψη σας ότι το φρεσκοκομμένο χόρτο είναι υγρό και γλιστερό.
- ◆ Μην εργάζεστε σε έδαφος με απότομες κλίσεις. Να κινείστε κατά το πλάτος της επικλινούς επιφάνειας και όχι πάνω και κάτω κατά τη διεύθυνση της κλίσης.
- ◆ Ποτέ μη διασχίζετε μονοπάτια με χαλίκια ή δρόμους όταν το εργαλείο είναι σε λειτουργία.
- ◆ Σε καμία περίπτωση μην πλησιάζετε τα χέρια και τα πόδια σας στο νήμα κοπής, ειδικά όταν θέτετε σε λειτουργία τη μηχανή.
- ◆ Προσέχετε να μην τραυματιστείτε από τη λεπίδα αποκοπής νήματος. Αφού κάνετε προώθηση του νήματος κοπής, επιστρέψτε πάντα το εργαλείο στην κανονική του θέση λειτουργίας πριν το ανάψετε.
- ◆ Μην αφήνετε το εργαλείο στο έδαφος παρά μόνο εφόσον το νήμα κοπής έχει ακινητοποιηθεί εντελώς.
- ◆ Θα πρέπει να προσέχετε τα ανοίγματα εξαερισμού να μην παρεμποδίζονται από σκουπίδια και άλλα αντικείμενα.
- ◆ Να χρησιμοποιείτε μόνο τον κατάλληλο τύπο νήματος κοπής. Ποτέ μη χρησιμοποιείτε μεταλλικό νήμα κοπής ή πετονιά.
- ◆ Προσέξτε να μην αγγίξετε τη λεπίδα αποκοπής νήματος.
- ◆ Ποτέ μην προσαρμόζετε στοιχεία κοπής μετάλλου.
- ◆ Χρησιμοποιείτε μόνο ανταλλακτικά και εξαρτήματα της Black & Decker.



Επισημαίνει κίνδυνο σωματικής βλάβης, θανάτου ή βλάβης στο προϊόν, σε περίπτωση μη τήρησης των οδηγιών σε αυτό το εγχειρίδιο.



Διαβάστε το εγχειρίδιο πριν θέσετε το μηχάνημα σε λειτουργία.

Γενική Επισκόπηση

1. Διακόπτης on/off
2. Μπουτόν απασφάλισης
3. Κύρια λαβή
4. Βοηθητική λαβή
5. Μπουτόν λαβής
6. Κολάρο ρύθμισης λαβής
7. Κολάρο ρύθμισης λειτουργίας
8. Περιβλήμα μοτέρ
9. Προφυλακτήρας
10. Λεπίδα αποκοπής νήματος
11. Οδηγός μορνοτύρας
12. Περιβλήμα πομπίνας
13. Νήμα κοπής
14. Μπαταρία

Εικ. Α

15. Φορτιστής
16. Ενδειξη φόρτισης
17. Ενδειξη τέλους φόρτισης

Συναρμολόγηση

Προειδοποίηση! Πριν από τη συναρμολόγηση, αφαιρείτε πάντα την μπαταρία.

Τοποθέτηση και αφαίρεση της μπαταρίας (εικ. Β)

- ◆ Για να τοποθετήσετε την μπαταρία (14), ευθυγραμμίστε τη με την υποδοχή πάνω στο εργαλείο. Ολισθήστε τη μπαταρία μέσα στη θήκη και σπρώξτε τη μέχρι να κομπίσσει στη θέση της.
- ◆ Για να βγάλετε τη μπαταρία, πατήστε το κουμπί απελευθέρωσης (18) και τραβήξτε ταυτόχρονα τη μπαταρία έξω από τη θήκη.

Τοποθέτηση προφυλακτήρα (εικ. C)

Προειδοποίηση! Ποτέ μην χρησιμοποιείτε το εργαλείο με τους προφυλακτήρες ή το προστατευτικό περίβλημα να είναι φθαρμένα ή χωρίς καθόλου προφυλακτήρες ή προστατευτικό περίβλημα.

- ◆ Τοποθετήστε τον προφυλακτήρα (9) πάνω στο εργαλείο, όπως απεικονίζεται, και ευθυγραμμίστε τις οπές (19) του προφυλακτήρα με τους σφιγκτήρες (20) που υπάρχουν στο εργαλείο.
- ◆ Πιέστε τον προφυλακτήρα μέχρι να κομπίσσει στη θέση του (Α).
- ◆ Σπρώξτε τον προφυλακτήρα προς τα εμπρός (Β).
- ◆ Σφίξτε καλά τις βίδες (21).

Προειδοποίηση! Ποτέ μη χρησιμοποιείτε τη μηχανή, εάν ο προφυλακτήρας δεν είναι σωστά τοποθετημένος στη θέση του.

Τοποθέτηση μιας νέας πομπίνης νήματος κοπής (εικ. D)

Ο αντιπρόσωπός σας της Black & Decker διαθέτει ανταλλακτικές πομπίνες νήματος κοπής (κωδικός A6481).

- ◆ Κρατήστε τις γλωττίδες (22) πατημένες και αφαιρέστε το κάλυμμα της μομπίνας (23) από το περιβλήμα (12).
- ◆ Αφαιρέστε την άδεια πομπίνα (24) από το περιβλήμα.
- ◆ Αφαιρέστε από το περιβλήμα τυχόν υπολείμματα ακαθαρσιών ή χόρτου.
- ◆ Πάρτε τη νέα μομπίνα και ξετυλίξτε περίπου 12 cm νήματος κοπής.
- ◆ Περάστε το νήμα κοπής από την οπή (25).
- ◆ Σπρώξτε την πομπίνα πάνω στον άξονα κίνησης (26) και περιστρέψτε την ελαφρά μέχρι να εφαρμόσει στη θέση της. Βεβαιωθείτε ότι η γραμμική κοπής δεν έχει παγιδευτεί κάτω από την πομπίνα και ότι προεξέχουν περίπου 10-12 cm νήματος από το περιβλήμα.
- ◆ Ευθυγραμμίστε τις γλωττίδες στο κάλυμμα της μομπίνας με τις οπές που υπάρχουν στο περιβλήμα.
- ◆ Σπρώξτε το κάλυμμα πάνω στο περιβλήμα μέχρι να ασφαλίσει κανονικά στη θέση του.

Προειδοποίηση! Αν το νήμα κοπής εξέρχει πέρα από τη λεπίδα αποκοπής νήματος (11), κόψτε το έτσι ώστε μόλις να φτάνει στη λεπίδα.

Τύλιγμα νέου νήματος σε άδεια πομπίνα (εικ. E - G)

Μπορείτε να τυλίξετε νέο νήμα κοπής σε άδεια μομπίνα. Ο αντιπρόσωπός σας της Black & Decker διαθέτει ανταλλακτικά πακέτα νήματος κοπής (κωδικός A6170 (25 m), A6171 (40 m)).

- ◆ Αφαιρέστε την άδεια μομπίνα από τη μηχανή, όπως περιγράφεται παραπάνω.
- ◆ Αφαιρέστε τυχόν παλιό νήμα κοπής από την μομπίνα (27) (εικ. E).
- ◆ Τροφοδοτήστε 2 cm νήματος κοπής σε μία από τις οπές (28) της πομπίνας, όπως απεικονίζεται (εικ. F).
- ◆ Λυγίστε το νήμα κοπής και στερεώστε το στην εγκοπή σχήματος L (29).
- ◆ Τυλίξτε το νήμα κοπής στην πομπίνα προς την κατεύθυνση του βέλους. Φροντίστε το τύλιγμα του νήματος να γίνει ομαλά και σε ομοιόμορφα στρώματα. Μην κάνετε εναλλασσόμενη διασταύρωση (εικ. G).
- ◆ Όταν το τυλιγμένο νήμα κοπής φτάσει στις εσοχές (30), κόψτε το νήμα. Αφήστε το νήμα να εξέρχει περίπου 12 cm από την μομπίνα και κρατήστε το νήμα με το δάχτυλό σας για να μην φύγει από τη θέση του.
- ◆ Τοποθετήστε την μομπίνα στη μηχανή, σύμφωνα με τις οδηγίες που παρατίθενται παραπάνω.

Προειδοποίηση! Χρησιμοποιείτε μόνο νήμα κοπής κατάλληλου τύπου της Black & Decker.

Χρήση

Προειδοποίηση! Αφήστε το εργαλείο να λειτουργήσει με το δικό του ρυθμό. Μην το υπερφορτώνετε.

Φόρτιση της μπαταρίας (εικ. A)

Η μπαταρία πρέπει να φορτιστεί πριν από την πρώτη χρήση και όποτε δεν μπορεί να παράγει αρκετή ισχύ για εργασίες που παλαιότερα εκτελούνταν με ευκολία.

Όταν η μπαταρία φορτίζεται για πρώτη φορά ή μετά από παρατεταμένη αποθήκευση, θα φορτιστεί μόνο κατά το 80%. Μετά από μερικούς κυκλους φόρτισης και αποφόρτισης, η μπαταρία θα αποκτήσει πλήρη χωρητικότητα. Η μπαταρία μπορεί να ζεσταθεί κατά τη φόρτιση της. Αυτό είναι φυσιολογικό και δεν είναι ενδεικτικό κάποιου προβλήματος.

Προειδοποίηση! Μη φορτίζετε τη μπαταρία σε θερμοκρασίες περιβάλλοντος κάτω των 4 °C ή άνω των 40 °C. Συνιστώμενη θερμοκρασία φόρτισης: περίπου 24 °C.

- ◆ Για να φορτίσετε τη μπαταρία (14), αφαιρέστε την από το εργαλείο και τοποθετήστε την στο φορτιστή (15). Η μπαταρία μπαίνει στο φορτιστή κατά ένα τρόπο και μόνο. Μην τη ζορίζετε. Βεβαιωθείτε ότι η μπαταρία έχει εφαρμόσει καλά στο φορτιστή.
- ◆ Βάλτε το φορτιστή στην πρίζα.

Φορτιστής 3 ώρας

Η μπαταρία θα έχει φορτιστεί πλήρως σε 3 περίπου ώρες. Μπορείτε να την αφαιρέσετε οποιαδήποτε στιγμή θέλετε ή μπορείτε να την αφήσετε συνεχώς πάνω στο φορτιστή.

Φορτιστής 1 ώρα

- ◆ Ελέγξτε αν ανάβει η κόκκινη ένδειξη φόρτισης (16). Αν, αντί για την κόκκινη ένδειξη, ανάβει τώρα η πράσινη ένδειξη τέλους φόρτισης (17), η μπαταρία είναι ιδιαίτερα ζεστή και δεν μπορεί να φορτιστεί. Αν συμβεί αυτό, αφαιρέστε την μπαταρία από το φορτιστή, αφήστε την να κρυώσει για 1 ώρα περίπου και μετά βάλτε την και πάλι στο φορτιστή.

Μετά από περίπου 1 ώρα φόρτισης, ο κόκκινος δείκτης φόρτισης θα σβήσει και θα ανάψει ο πράσινος δείκτης τέλους φόρτισης. Η μπαταρία είναι πλέον τελείως φορτισμένη.

- ◆ Αφαιρέστε τη μπαταρία από το φορτιστή.

Ρύθμιση της θέσης της βοηθητικής λαβής (εικ. H)

Η βοηθητική λαβή (4) μπορεί να ρυθμιστεί, προκειμένου να προσφέρει το καλύτερο δυνατό ζυγισμα και ξεκούραστη εργασία.

- ◆ Αφήστε τον προφυλακτήρα (9) να ακουμπήσει στο έδαφος.
- ◆ Χαλαρώστε το μπουτόν της λαβής (5).
- ◆ Μετακινήστε τη λαβή σε όποια θέση θέλετε.

- ◆ Σφίξτε καλά το μπουτόν της λαβής.

Ρύθμιση του ύψους (εικ. Ι)

Ο τηλεσκοπικός άξονας (31) σας επιτρέπει να ορίσετε το εργαλείο σε ένα άνετο ύψος.

- ◆ Χαλαρώστε το κολάρο (6).
- ◆ Για να αυξησετε το ύψος, σύρετε τον άξονα προς τα έξω.
- ◆ Για να μειώσετε το ύψος, σύρετε τον άξονα προς τα μέσα.
- ◆ Σφίξτε το κολάρο.

Θέση εντός και εκτός λειτουργίας (εικ. J)

Για την ασφάλειά σας, το εργαλείο διαθέτει διπλό σύστημα εκκίνησης. Το σύστημα αυτό προφυλάσσει από τυχόν αιφνίδια εκκίνηση του εργαλείου.

Θέση σε λειτουργία

- ◆ Πιέστε το μπουτόν ασφάλισης (2) προς τα πίσω με τον αντίχειρά σας και πιέστε ταυτόχρονα το διακόπτη λειτουργίας (on/off) (1).
- ◆ Αφήστε το κουμπί απασφάλισης.

Θέση εκτός λειτουργίας

- ◆ Ελευθερώστε τον διακόπτη λειτουργίας (on/off) (1).

Προειδοποίηση! Ποτέ μην επιχειρήσετε να ασφαλίσετε κάποιο διακόπτη στη θέση λειτουργίας (on).

Ρύθμιση του εργαλείου σε λειτουργία φινιρίσματος χόρτου ή άκρων (μπορντούρα) (εικ. K - M)

Το εργαλείο μπορεί να χρησιμοποιηθεί σε λειτουργία φινιρίσματος χόρτου όπως απεικονίζεται στην εικ. K ή σε λειτουργία φινιρίσματος άκρων, για το κόψιμο του προεξέχοντος χόρτου κατά μήκος του χλοοτάπητα, όπως απεικονίζεται στην εικ. L.

Λειτουργία φινιρίσματος χόρτου (εικ. K & M)

Για τη λειτουργία φινιρίσματος χόρτου, η κεφαλή φινιρίσματος πρέπει να βρίσκεται στη θέση η οποία απεικονίζεται στην εικ. K. Αν δεν βρίσκεται σε αυτή τη θέση, ρυθμίστε την ως ακολούθως:

- ◆ Κρατήστε τη βοηθητική λαβή με το ένα χέρι και το περιλαίμιο (7) με το άλλο, όπως απεικονίζεται (εικ. K).
- ◆ Σπρώξτε το περιλαίμιο προς την κατεύθυνση της κεφαλής φινιρίσματος και περιστρέψτε το προς τα αριστερά, μέχρι να κουμπώσει η κεφαλή φινιρίσματος στη θέση φινιρίσματος χόρτου (εικ. M).
- ◆ Αφήστε το περιλαίμιο.
- ◆ Τοποθετήστε τον οδηγό μπορντούρας (11) στη θέση σύμπτυξης.

Λειτουργία φινιρίσματος άκρων (μπορντούρα) (εικ. L & M)

Για τη λειτουργία φινιρίσματος άκρων, η κεφαλή φινιρίσματος πρέπει να βρίσκεται στη θέση η οποία απεικονίζεται στην εικ. L.

Αν δεν βρίσκεται στη θέση αυτή, ρυθμίστε την ως ακολούθως:

- ◆ Κρατήστε τη βοηθητική λαβή με το ένα χέρι και το περιλαίμιο (7) με το άλλο, όπως απεικονίζεται (εικ. L).
- ◆ Σπρώξτε το περιλαίμιο προς την κατεύθυνση της κεφαλής φινιρίσματος και περιστρέψτε το προς τα δεξιά, μέχρι να κουμπώσει η κεφαλή φινιρίσματος στη θέση φινιρίσματος άκρων (εικ. M).
- ◆ Αφήστε το περιλαίμιο.
- ◆ Τοποθετήστε τον οδηγό μπορντούρας (11) στη θέση σύμπτυξης.

Συμβουλές για άριστη χρήση

Φινίρισμα χόρτου

- ◆ Κρατήστε το εργαλείο όπως απεικονίζεται στην εικ. K.
- ◆ Εργαστείτε κινώντας τη μηχανή φινιρίσματος χόρτου από τη μία πλευρά στην άλλη, όπως απεικονίζεται στην εικ. K.
- ◆ Κατά την κοπή χόρτου μεγάλου ύψους, εργαστείτε σε πολλά διαδοχικά περάσματα ξεκινώντας από την κορυφή.
- ◆ Φροντίστε η μηχανή να παραμένει μακριά από σκληρά αντικείμενα και από ευαίσθητα φυτά.
- ◆ Αν η μηχανή αρχίσει να ζορίζεται και να κινείται με μικρή ταχύτητα, ελαττώστε το φορτίο.

Φινίρισμα άκρων (μπορντούρα)

Το καλύτερο αποτέλεσμα κοπής επιτυγχάνεται όταν το βάθος της μπορντούρας είναι μεγαλύτερο από 50 mm.

- ◆ Μη χρησιμοποιείτε τη μηχανή για τη δημιουργία μπορντούρας. Για να δημιουργήσετε μπορντούρα, χρησιμοποιήστε ένα εργαλείο δημιουργίας μπορντούρας.
- ◆ Οδηγήστε το εργαλείο όπως απεικονίζεται στην εικ. L. Φροντίστε ο οδηγός μπορντούρας να βρίσκεται αντικριστά με το άκρο του χόρτου.
- ◆ Για να διαμορφώσετε λίγο πιο βαθιά κοπή, γείρετε ελαφρά το εργαλείο.

Γενικές πληροφορίες

- ◆ Για να πετύχετε το καλύτερο δυνατό αποτέλεσμα, κόβετε το χόρτο μόνο όταν είναι στεγνό.
- ◆ Αν είναι δυνατό, φροντίστε η μπαταρία να παραμένει συνδεδεμένη με το φορτιστή και ο φορτιστής να είναι στο ρεύμα όποτε το εργαλείο δεν χρησιμοποιείται.

Συντήρηση

Αυτό το εργαλείο της Black & Decker έχει σχεδιαστεί έτσι ώστε να λειτουργεί για μεγάλο χρονικό διάστημα με τη ελάχιστη δυνατή φροντίδα. Η αδιάλειπτη και κανονική λειτουργία του εργαλείου εξαρτάται από τη φροντίδα και τον τακτικό καθαρισμό.

Ο φορτιστής σας δεν απαιτεί καμία συντήρηση εκτός από τον τακτικό καθαρισμό του.

Προειδοποίηση! Πριν εκτελέσετε οποιαδήποτε εργασία συντήρησης στο εργαλείο, αφαιρέστε τη μπαταρία από το εργαλείο. Βγάλτε τον φορτιστή από την πρίζα πριν τον καθαρίσετε.

- ◆ Μετά τη χρήση αποσυνδέστε τη μπαταρία και ελέγξτε για ζημιές που ενδεχομένως να έχουν προκληθεί στο εργαλείο.
- ◆ Καθαρίζετε τακτικά τις οπές εξαερισμού του εργαλείου σας και του φορτιστή με μαλακή βούρτσα ή με στεγνό πανί.
- ◆ Να καθαρίζετε τακτικά το περίβλημα του μοτέρ χρησιμοποιώντας ένα υγρό πανί. Μη χρησιμοποιείτε αποξεστικά καθαριστικά ή υγρά καθαρισμού που περιέχουν διαλύτες.
- ◆ Καθαρίζετε τακτικά το νήμα κοπής και την πομπίνα, χρησιμοποιώντας μαλακή βούρτσα ή στεγνό πανί.
- ◆ Χρησιμοποιείτε τακτικά μια ξύστρα, όχι κοφτερή, για να αφαιρέσετε το χόρτο και τις ακαθαρσίες από το κάτω μέρος του προφυλακτήρα.

Αποθήκευση

Όταν το εργαλείο δεν πρόκειται να χρησιμοποιηθεί για μερικούς μήνες, το καλύτερο θα ήταν να αφήσετε τη μπαταρία συνδεδεμένη στο φορτιστή. Στην αντίθετη περίπτωση, ενεργήστε ως ακολούθως:

- ◆ Φορτίστε πλήρως τη μπαταρία.
- ◆ Αφαιρέστε τη μπαταρία από το εργαλείο.
- ◆ Φυλάξτε το εργαλείο και τη μπαταρία σε ασφαλές και ξηρό χώρο. Η θερμοκρασία αποθήκευσης θα πρέπει πάντα να κυμαίνεται μεταξύ +5 °C και +40 °C. Τοποθετήστε τη μπαταρία σε οριζόντια επιφάνεια.
- ◆ Προτού χρησιμοποιήσετε το εργαλείο μετά από μια παρατεταμένη περίοδο αποθήκευσης, φορτίστε πλήρως τη μπαταρία και πάλι.

Αντιμέτωπιση προβλημάτων

Αν η μηχανή δείχνει να μη λειτουργεί κανονικά, ενεργήστε σύμφωνα με τις οδηγίες που ακολουθούν. Αν, παρ' όλα αυτά, το πρόβλημά σας δεν λυθεί, επικοινωνήστε με το τοπικό εξουσιοδοτημένο σέρβις της Black & Decker.

Προειδοποίηση! Πριν προχωρήσετε, αφαιρέστε τη μπαταρία από το εργαλείο.

Το εργαλείο λειτουργεί σε χαμηλή ταχύτητα

- ◆ Ελέγξτε αν το περίβλημα της πομπίνας περιστρέφεται ελεύθερα. Καθαρίστε το προσεκτικά, αν χρειάζεται.
- ◆ Βεβαιωθείτε ότι το νήμα κοπής δεν εξέρχεται περισσότερο από 10-12 cm από το περίβλημα της πομπίνας. Αν το μήκος που εξέρχεται είναι μεγαλύτερο, κόψτε το ώστε μόλις να φτάνει τη λεπίδα αποκοπής νήματος.

Δε λειτουργεί η αυτόματη τροφοδοσία νήματος

- ◆ Κρατήστε τα αυτάκια πατημένα και αφαιρέστε το κάλυμμα της πομπίνας από το περίβλημα.
- ◆ Ανασηκώστε την πομπίνα κατά περίπου 6 mm και τραβήξτε το νήμα κοπής μέχρι που να προεξέχει κατά 10-12 cm από το περίβλημα.
Αν το τμήμα που έχει μείνει πάνω στην πομπίνα δεν είναι επαρκές, τοποθετήστε νέα πομπίνα νήματος κοπής σύμφωνα με τις οδηγίες που παρατίθενται παραπάνω.
- ◆ Σπρώξτε την πομπίνα και πάλι στη θέση της και περιστρέψτε την ελαφρά μέχρι να εφαρμόσει καλά.
- ◆ Ευθυγραμμίστε τις γλωττίδες στο κάλυμμα της μπομπίνας με τις οπές που υπάρχουν στο περίβλημα.
- ◆ Σπρώξτε το κάλυμμα πάνω στο περίβλημα μέχρι να ασφαλίσει κανονικά στη θέση του.
- ◆ Αν το νήμα κοπής εξέρχεται πέρα από τη λεπίδα αποκοπής νήματος, κόψτε το έτσι ώστε μόλις να φτάνει στη λεπίδα.

Αν η αυτόματη τροφοδοσία νήματος εξακολουθεί να μην λειτουργεί, ακολουθήστε τις παρακάτω ενέργειες:

- ◆ Καθαρίστε προσεκτικά το περίβλημα της πομπίνας.
- ◆ Αφαιρέστε την πομπίνα και ελέγξτε αν ο μοχλός μπορεί να κινηθεί ελεύθερα.
- ◆ Αφαιρέστε την πομπίνα και ξετυλίξτε το νήμα κοπής, και στη συνέχεια τυλίξτε το προσεκτικά και πάλι, σύμφωνα με την παραπάνω περιγραφή. Αντικαταστήστε την πομπίνα σύμφωνα με τις οδηγίες.

Η πομπίνα έχει φρακάρει

- ◆ Κρατήστε τα αυτάκια πατημένα και αφαιρέστε το κάλυμμα της πομπίνας από το περίβλημα.
- ◆ Καθαρίστε προσεκτικά το περίβλημα της πομπίνας.
- ◆ Σπρώξτε το κάλυμμα πάνω στο περίβλημα μέχρι να ασφαλίσει κανονικά στη θέση του.

Διάθεση εργαλείων και περιβάλλον



οεχωριστή συλλογή. Αυτό το προϊόν δεν πρέπει να απορριφθεί με συνηθισμένα σπιτικά απορρίμματα.

Εάν κάποια μέρα διαπιστώσετε ότι το προϊόν σας Black & Decker χρειάζεται αντικατάσταση ή δεν σας χρησιμεύει πλέον, μην το απορρίψετε με τα σπιτικά απορρίμματα. Κάντε αυτό το προϊόν διαθέσιμο για ξεχωριστή συλλογή.



Η ξεχωριστή συλλογή χρησιμοποιημένων προϊόντων και συσκευασιών επιτρέπει την ανακύκλωση υλικών. Η επανάχρηση ανακυκλωμένων υλικών βοηθάει την προστασία του περιβάλλον και μειώνει την ζήτηση για σπάνια υλικά.

Οι τοπικοί κανονισμοί μπορεί να παρέχουν ξεχωριστή συλλογή ηλεκτρικών προϊόντων από κατοικίες, δημοτικές τοποθεσίες απορριμμάτων ή από τον έμπορα όταν αγοράσατε το καινούργιο προϊόν.

Η Black & Decker δίνει τη δυνατότητα συλλογής και ανακύκλωσης των προϊόντων της που έχουν συμπληρώσει τη διάρκεια ζωής τους. Αν θέλετε να χρησιμοποιήσετε την εν λόγω υπηρεσία, επιστρέψτε το προϊόν σας σε οποιοδήποτε εξουσιοδοτημένο κέντρο επισκευών, όπου θα το παραλάβουν εκ μέρους σας.

Ενημερωθείτε για το πλησιέστερο κέντρο επισκευών της περιοχής σας, επικοινωνώντας με τα γραφεία της Black & Decker στη διεύθυνση που αναγράφεται στο εγχειρίδιο. Επίσης, για να πληροφορηθείτε τα εξουσιοδοτημένα κέντρα επισκευών της Black & Decker και τις λεπτομέρειες και τους αρμόδιους των υπηρεσιών που παρέχονται μετά την πώληση, μπορείτε να ανατρέξετε στο Διαδίκτυο στη διεύθυνση: www.2helpU.com

Μπαταρίες



Οι μπαταρίες Black & Decker μπορούν να επαναφορτιστούν πολλές φορές. Όταν πλέον δεν μπορούν να ξαναχρησιμοποιηθούν, απορρίψτε τις με τρόπο κατάλληλο για το περιβάλλον:

- ◆ Εξαντλήστε πλήρως τη μπαταρία και μετά αφαιρέστε την από το εργαλείο.
- ◆ Οι μπαταρίες NiCd και NiMH είναι ανακυκλώσιμες. Στείλτε τις σε κάποιο εξουσιοδοτημένο κέντρο επισκευών ή στον τοπικό σταθμό ανακύκλωσης.

Τεχνικά χαρακτηριστικά

	GLC2500	GLC3000
Τάση	V_{DC} 18	24
Ταχύτητα άφορτου κίνησης	min^{-1} 6,800	6,800
Βάρος	kg 1,8	1,8

Μπαταρία

Τάση	V_{DC} 18	24
Χωρητικότητα	Ah 1,5	1,2
Βάρος	kg 0,8	1

Φόρτιση

Τάση	V_{AC} 230	230
Χρόνος φόρτισης κατά προσέγγιση	h 3	3

Δήλωση συμμόρφωσης με την Ευρωπαϊκή Κοινότητα

GLC2500/GLC2500NM/GLC3000

Η Black & Decker δηλώνει ότι τα προϊόντα αυτά συμμορφώνονται με:

98/37/EOK, 89/336/EOK, 73/23/EOK, EN 55014,
EN 60335, EN 61000, 2000/14/EOK, EN 786, EN 28662,
EN ISO 3744, EN ISO 11201

Χλοοκοπτικό μηχάνημα, L = 25 cm, Παράρτημα VI, Ar. 499
SNCH, L-5230 Sandweiler, Luxembourg

Στάθμη πίεσης ήχου, μετρημένη σύμφωνα με το πρότυπο
EN ISO 3744:

L_{PA} (πίεση ήχου) 81 dB(A)

L_{WA} (ακουστική ισχύς) 92 dB(A)

L_{WA} (εγγυημένη) 96 dB(A)

Τιμή χειροβραχιονικής δόνησης σύμφωνα με το πρότυπο
EN 786: < 2,5 m/s^2

Kevin Hewitt

Διευθυντής Εξυπηρέτησης Πελατών
Spennymoor, County Durham DL16 6JG,
Αγγλία
1-11-2004

Εγγύηση

Η Black & Decker είναι σίγουρη για την ποιότητα των προϊόντων της και παρέχει σημαντική εγγύηση. Η παρούσα γραπτή εγγύηση αποτελεί πρόσθετο δικαίωμά σας και δεν ζημιώνει τα συνταγματικά σας δικαιώματα. Η εγγύηση ισχύει εντός της επικράτειας των Κρατών Μελών της Ευρωπαϊκής Ένωσης και της Ευρωπαϊκής Ζώνης Ελευθέρων Συναλλαγών.

Σε περίπτωση που κάποιο προϊόν της Black & Decker παρουσιάσει βλάβη εξαιτίας ελαττωματικών υλικών, ποιότητας εργασίας ή έλλειψης συμφωνίας με τις προδιαγραφές εντός 24 μηνών από την ημερομηνία αγοράς, η Black & Decker εγγυάται την αντικατάσταση των ελαττωματικών τμημάτων, την επισκευή προϊόντων που έχουν υποστεί εύλογη φθορά λόγω χρήσης ή την αντικατάσταση των προϊόντων προκειμένου να εξασφαλίσει την ελάχιστη ενόχληση στους πελάτες της, εκτός αν:

- ◆ Το προϊόν έχει χρησιμοποιηθεί σε εργασιακό, επαγγελματικό περιβάλλον ή αν έχει εννοκαστεί
- ◆ Έχει γίνει εσφαλμένη χρήση του προϊόντος ή αν έχει παραμεληθεί
- ◆ Το προϊόν έχει υποστεί βλάβη από άλλα αντικείμενα, από ουσίες ή λόγω ατυχήματος

- ◆ Έχει γίνει προσπάθεια επισκευής από μη εξουσιοδοτημένα κέντρα επισκευών ή από προσωπικό που δεν ανήκει στο προσωπικό της Black & Decker

Για να ισχύσει η εγγύηση, πρέπει να υποβάλετε απόδειξη αγοράς στον πωλητή ή το εξουσιοδοτημένο κέντρο επισκευών. Ενημερωθείτε για το πλησιέστερο κέντρο επισκευών της περιοχής σας, επικοινωνώντας με τα γραφεία της Black & Decker στη διεύθυνση που αναγράφεται στο εγχειρίδιο. Επίσης, για να πληροφορηθείτε για τα εξουσιοδοτημένα κέντρα επισκευών της Black & Decker, τις λεπτομέρειες και τους αρμόδιους των υπηρεσιών που παρέχονται μετά την πώληση, μπορείτε να ανατρέξετε στο Διαδίκτυο στη διεύθυνση: **www.2helpU.com**

Παρακαλούμε να επισκεφτείτε την ιστοσελίδα μας **www.blackanddecker.com** για να καταχωρήσετε το νέο σας προϊόν Black & Decker και για να ενημερώνεστε για τα νέα προϊόντα και τις ειδικές προσφορές.

Περισσότερες πληροφορίες σχετικά με τη μάρκα Black & Decker και τη σειρά προϊόντων μας θα βρείτε στη διεύθυνση **www.blackanddecker.com**

Australia	Black & Decker (Australia) Pty. Ltd. 20 Fletcher Road, Mooroolbark, Victoria, 3138	Tel. 03-8720 5100 Fax 03-9727 5940
Belgique/België	Black & Decker (Belgium) N.V. Campus Noord, Schaliënhoeverdreef 20E 2800 Mechelen	Tel. 015 - 47 92 11 Fax 015 - 47 92 10
Danmark	Black & Decker Hejrevang 26B, 3450 Allerød Internet: www.blackdecker.dk	Tel. 70 20 15 10 Fax 48 14 63 30
Deutschland	Black & Decker GmbH Black & Decker Str. 40, D - 65510 Idstein	Tel. 06126/21 - 0 Fax 06126/21 29 80
Ελλάδα	Black & Decker (Ελλάς) Α.Ε. Στράβωνος 7 & Λεωφ. Βουλιαγμένης 159 166 74 Γλυφάδα - Αθήνα	Τηλ. 210 8981616 Τηλ. 210 8982630 Φαξ Service 210 8983285
España	Black & Decker Ibérica, S.C.A. Parque de Negocios "Mas Blau" Edificio Muntadas, c/Bergadá, 1, Of. A6 08820 El Prat de Llobregat (Barcelona)	Tel. 934 797 400 Fax 934 797 419
France	Black & Decker (France) S.A.S. B.P. 21, 69571 Dardilly Cédex	Tel. 04 72 20 39 20 Fax 04 72 20 39 00
Helvetia	RÖFO AG Gewerbezone Seeblick 3213 Kleinbörsingen	Tel. 026-6749391 Fax 026-6749394
Italia	Black & Decker Italia SpA Viale Elvezia 2 20052 Monza (MI)	Tel. 039-23871 Fax 039-2387592/2387594 Numero verde 800-213935
Nederland	Black & Decker Benelux Joulehof 12, 4622 RG Bergen op Zoom	Tel. 0164 - 283000 Fax 0164 - 283100
New Zealand	Black & Decker 81 Hugo Johnston Drive Penrose, Auckland, New Zealand	Tel. 09 579 7600 Fax 09 579 8200
Norge	Black & Decker (Norge) A/S Postboks 248, Leirdal, 1011 Oslo Internet: www.blackdecker.no	Tlf. 22 90 99 00 Fax 22 90 99 01
Österreich	Black & Decker Vertriebsges.m.b.H Erlaaerstraße 165, 1231 Wien	Tel. 01 66116-0 Fax 01 66116-14
Portugal	Black & Decker Rua Egas Moniz 173 S. João do Estoril 2766-651 Estoril	Tel. 214667500 Fax 214667575
Suomi	Black & Decker Oy Palotie 3, 01610 Vantaa Black & Decker Oy, Brandvägen 3, 01610 Vanda	Puh: (09) 825 4540 Fax: (09) 8254 5444 Tel: (09) 825 4540 Fax: (09) 8254 5444
Sverige	Black & Decker AB Box 603, 421 26 Västra Frölunda, Besöksadr. Ekonomivägen 11	Tel: 031-68 60 00 Fax: 031-68 60 08
Türkiye	İntratek Mühendislik ve Dış Tic. A.Ş. Ortaklar Cad. No:19/2 80290 Mecidiyeköy / İstanbul	Tel. 0212 211 22 10 Faks 0212 266 33 03
United Kingdom	Black & Decker 210 Bath Road Slough, Berkshire SL1 3YD	Tel. 01753 511234 Fax 01753 551155 Helpline 01753 574277
Middle East & Africa	Black & Decker (Overseas) A.G. PB 5420, Dubai, United Arab Emirates	Tel. +971 4 2826464 Fax +971 4 2826466

Dealer address
Händleradresse
Cachet du revendeur
Indirizzo del rivenditore
Adres van de dealer
Dirección del detallista
Morada do revendedor
Återför säljarens adress
Forhandlens adresse
Forhandler adresse
Jälleenmyyjän osoite
Διεύθυνση αντιπροσώπου

◆ Name ◆ Nom ◆ Nome
◆ Naam ◆ Nombre ◆ Nome ◆ Namn
◆ Navn ◆ Navn ◆ Nimi ◆ Ovojna:

◆ Address ◆ Adresse ◆ Adresse ◆ Indirizzo ◆
Adres ◆ Dirección ◆ Morada ◆ Address ◆
Adresse ◆ Adresse ◆ Osoite ◆ Διεύθυνση:

◆ Town ◆ Ort ◆ Ville ◆ Città ◆ Plaats
◆ Ciudad ◆ Localidade ◆ Ort ◆ By ◆ By
◆ Paikkakunta ◆ Πόλη:

◆ Postal code ◆ Postleitzahl ◆ Code postal ◆
Codice postale ◆ Postcode
◆ Código ◆ Código postal ◆ Postnr.
◆ Postnr. ◆ Postnr. ◆ Postnummero
◆ Κωδικός

◆ Is this tool a gift? ◆ Ist dieses Gerät ein
Geschenk? ◆ S'agit-il d'un cadeau? ◆ Si tratta
di un regalo? ◆ Kreeg u de machine als cadeau?
◆ ¿Ha recibido usted esta herramienta como
regalo? ◆ Recebeu esta ferramenta como
presente? ◆ Är verktyget en gåva?
◆ Er verktojet en gave? ◆ Er verktojet en gave?
◆ Onko kone lahja? ◆ Το εργαλείο είναι δώρο?

◆ Yes ◆ Ja ◆ Oui ◆ Si ◆ Ja ◆ Si ◆
◆ Sim ◆ Ja ◆ Ja ◆ Ja ◆ Kyllä ◆ Nαι
 ◆ No ◆ Nein ◆ Non ◆ No ◆ Nee
◆ No ◆ Não ◆ Nej ◆ Nei ◆ Nej
◆ Ei ◆ Oxi

◆ Is this tool your first purchase? ◆ Ist dieses
Gerät ein Erstkauf? ◆ Est-ce un 1er achat? ◆ Is
Questo prodotto è il suo primo acquisto? ◆ Is
deze machine uw eerste aankoop? ◆ ¿Es esta
herramienta la primera de este tipo?
◆ Esta ferramenta é a sua primeira compra? ◆
Är detta ditt första B&D-verktyg? ◆ Er dette ditt
første B&D verktojet? ◆ Er dette dit første B&D
verktøj? ◆ Onko tämä ensimmäinen B&D-

Date of purchase
Kaufdatum
Date d'achat
Data d'acquisto
Aankoopdatum
Fecha de compra
Data de compra
Inkõpsdatum
Innkjøpsdato
Indkøbsdato
Osttopäivä
Ημερομηνία αγοράς

koneesi? ◆ Είναι το εργαλείο αυτό η
πρώτη σας αγορά?

◆ Yes ◆ Ja ◆ Oui ◆ Si ◆ Ja ◆ Si
◆ Sim ◆ Ja ◆ Ja ◆ Ja ◆ Kyllä ◆ Nαι
 ◆ No ◆ Nein ◆ Non ◆ No ◆ Nee
◆ No ◆ Não ◆ Nej ◆ Nei ◆ Nej
◆ Ei ◆ Oxi

◆ Dealer address ◆ Händleradresse
◆ Cachet du revendeur ◆ Indirizzo del
rivenditore ◆ Adres van de dealer
◆ Dirección del detallista ◆ Morada do
revendedor ◆ Återför säljarens adress
◆ Forhandlens adresse ◆ Forhandler adresse
◆ Jälleenmyyjän osoite
◆ Διεύθυνση αντιπροσώπου

Cat. no.:



◆ Data protection act: Tick the box if you prefer
not to receive further information. ◆ Bitte
ankreuzen, falls Sie keine weiteren
Informationen erhalten möchten. ◆ Si vous ne
souhaitez pas recevoir d'informations, cochez
cette case. ◆ Barrate la casella se non
desiderate ricevere informazioni.
◆ A.u.b. dit vakje aankruisen indien u geen
informatie wenst te ontvangen.
◆ Señale en la casilla sino quiere recibir
información. ◆ Por favor, assinala com uma cruz
se não desejar receber informação. ◆ Vänligen
kryssa för i rutan om Ni inte vill ha information.
◆ Venligst kryss av dersom du ikke ønsker
informasjon. ◆ Venligst sæt kryds i ruden
såfremt De ikke måtte ønske at modtage
information.

◆ Merkitkää rasti ruutuun, mikäli ette halua
vastata eniten informaatiota.
◆ Παρακαλείστε να σημειώσετε εάν
δεν θέλετε να πάρετε πληροφορίες.

- ✂
- ◆ GUARANTEE CARD
 - ◆ GARANTIEKAART
 - ◆ GARANTI KORT
 - ◆ GARANTIEKARTE
 - ◆ TARJETA DE GARANTIA
 - ◆ GARANTI KORT
 - ◆ CARTE DE GARANTIE
 - ◆ CARTÃO DE GARANTIA
 - ◆ TAKUKUKORTTI
 - ◆ TAGLIANDO DI GARANZIA
 - ◆ GARANTIBEVIS
 - ◆ KAPTA EFTYHSHZ

English

Please complete this section immediately after the purchase of your tool and send it to Black & Decker in your country. If you live in Australia or New Zealand, please register by using the alternative guarantee card supplied.

Deutsch

Bitte schneiden Sie diesen Abschnitt ab, stecken ihn in einen frankierten Umschlag und schicken ihn an die Black & Decker Adresse Ihres Landes.

Français

Découpez cette partie et envoyez-la sous enveloppe timbrée à l'adresse de Black & Decker dans votre pays, ceci immédiatement après votre achat.

Italiano

Per favore ritagliate questa parte, inseritela in una busta con francobollo e spediteola subito dopo l'acquisto del prodotto all'indirizzo della Black & Decker nella vostra nazione.

Nederlands

Knip dit gedeelte uit en zend het direct na aankoop in een gefrankeerde, geaddresseerde envelop naar het adres van Black & Decker in uw land.

Español

Después de haber comprado su herramienta envíe usted, por favor, esta tarjeta a la central de Black & Decker en su país.

Português

Por favor, recorte esta parte, coloque-a num envelope selado e endereçado e envie-o logo após a compra do seu produto para o endereço da Black & Decker do seu país.

Svenska

Vår vänlig klipp ur denna del och sänd den i ett frankerat kuvert till Black & Deckers adress i Ditt land.

Norsk

Vennligst klipp ut denne delen umiddelbart etter du har pakket ut ditt produkt og legg det i en adressert konvolutt til Black & Decker (Norge) A/S.

Dansk

Venligst klip denne del ud og send frankeret til Black & Decker i dit land.

Suomi

Leikkaa irti tämä osa, laita se kuoreen ja postita kuori paikalliseen Black & Decker osoitteeseen.

Ελληνικά

Παράκατω κόψτε αυτό το κομμάτι και ταχυδρομήστε το αμέσως μετά την αγορά του προϊόντος σας στην διεύθυνση της Black & Decker στην Ελλάδα.