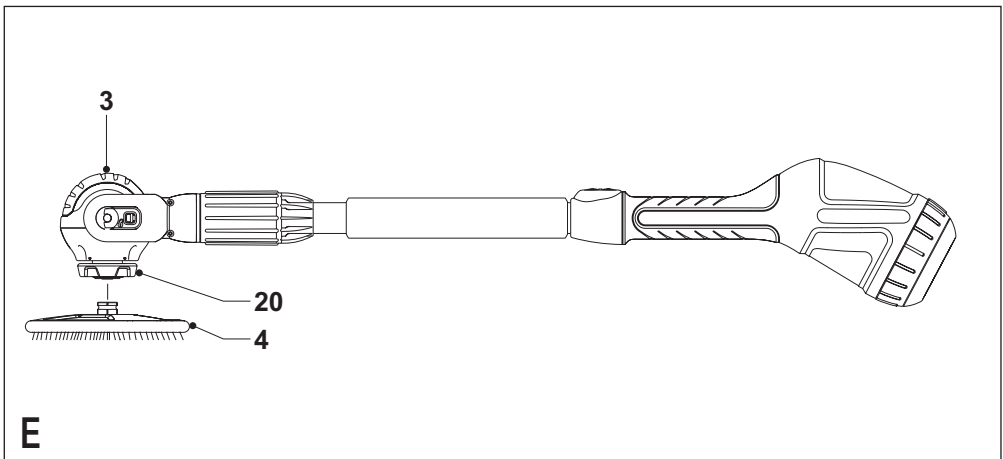
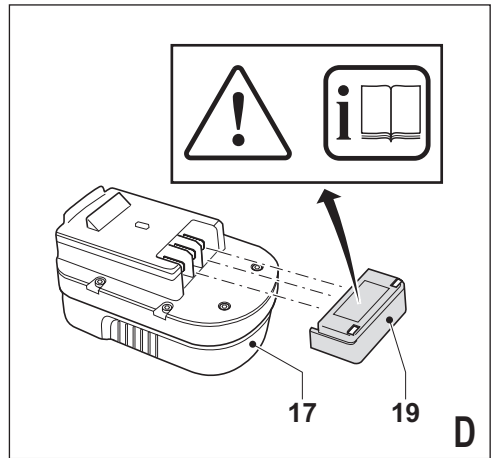
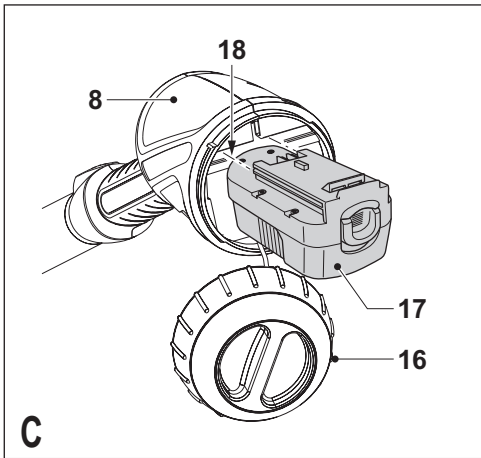
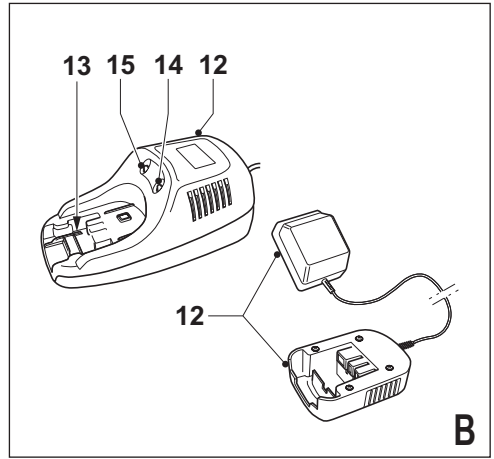
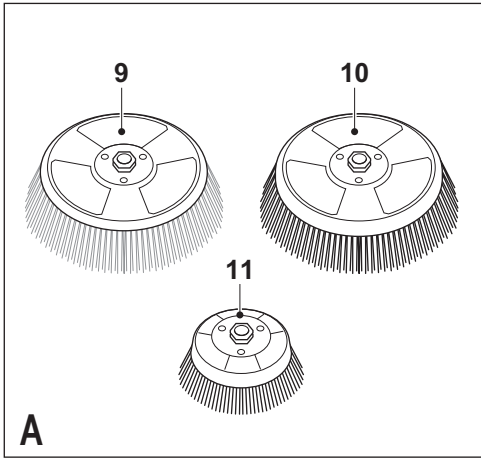


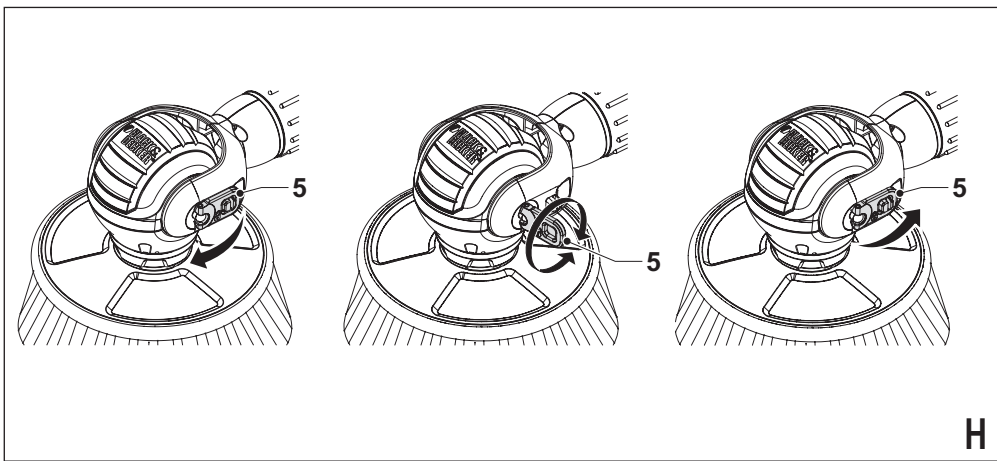
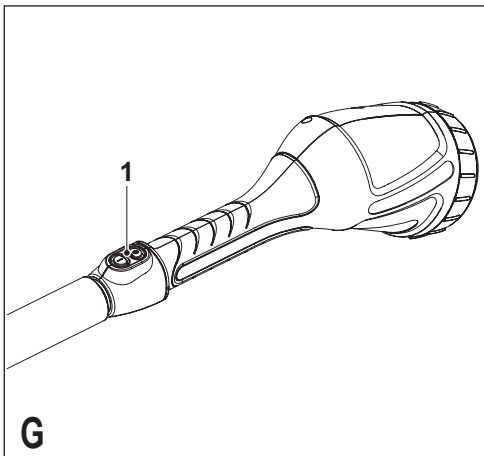
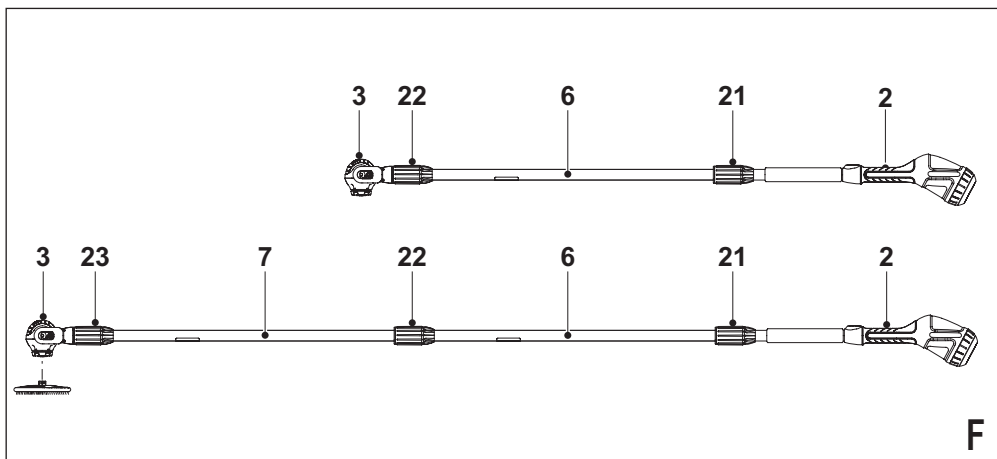
UK

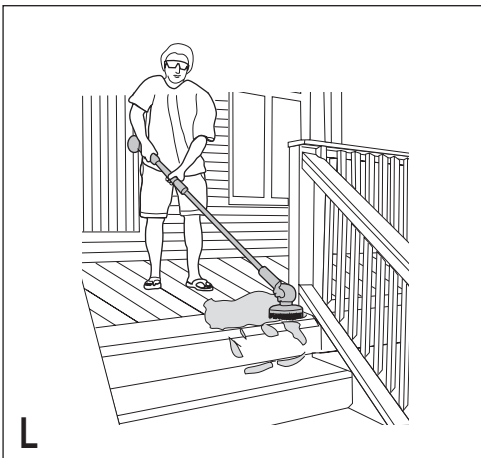
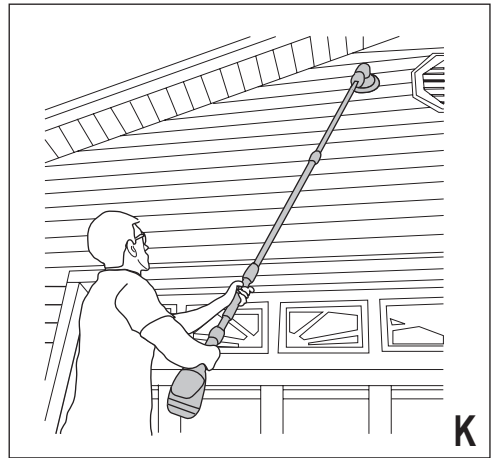
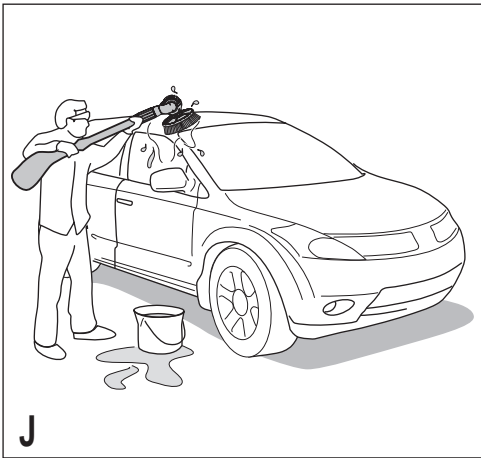
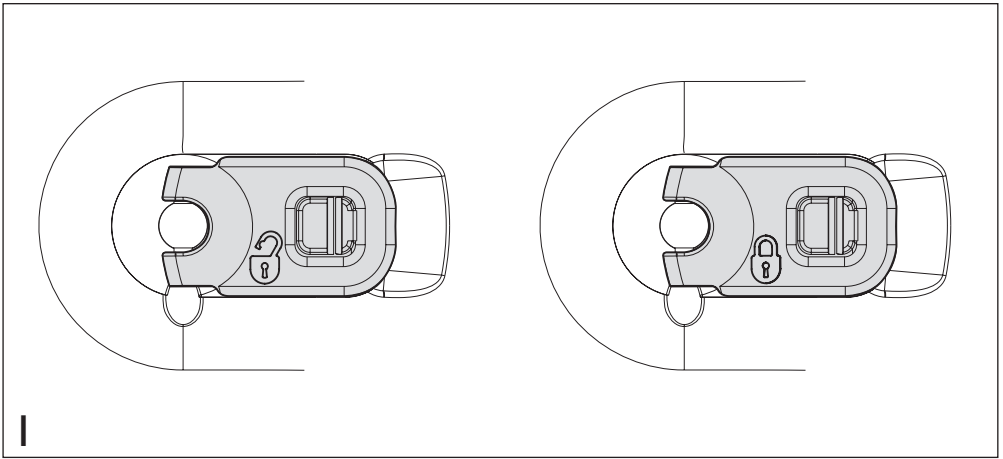
Ireland

Australia

New Zealand







## Intended use

Your Black & Decker cordless pole scrubber has been designed for light cleaning and scrubbing surfaces.

This tool is intended for consumer use only.

Your Black & Decker charger has been designed for charging Black & Decker batteries of the type supplied with this tool.

## General safety rules

**Warning!** Read all instructions. Failure to follow all instructions listed below may result in electric shock, fire and/or serious injury. The term "power tool" in all of the warnings listed below refers to your mains operated (corded) power tool or battery operated (cordless) power tool.

SAVE THESE INSTRUCTIONS.

### 1. Work area

- a. **Keep work area clean and well lit.**  
Cluttered and dark areas invite accidents.
- b. **Do not operate power tools in explosive atmospheres, such as in the presence of flammable liquids, gases or dust.**  
Power tools create sparks which may ignite the dust or fumes.
- c. **Keep children and bystanders away while operating a power tool.**  
Distractions can cause you to lose control.

### 2. Electrical safety

- a. **Power tool plugs must match the outlet. Never modify the plug in any way. Do not use any adapter plugs with earthed (grounded) power tools.**  
Unmodified plugs and matching outlets will reduce risk of electric shock.
- b. **Avoid body contact with earthed or grounded surfaces such as pipes, radiators, ranges and refrigerators.**  
There is an increased risk of electric shock if your body is earthed or grounded.
- c. **Do not expose power tools to rain or wet conditions.**  
Water entering a power tool will increase the risk of electric shock.
- d. **Do not abuse the cord. Never use the cord for carrying, pulling or unplugging the power tool. Keep cord away from heat, oil, sharp edges or moving parts.**  
Damaged or entangled cords increase the risk of electric shock.
- e. **When operating a power tool outdoors, use an extension cord suitable for outdoor use.**  
Use of a cord suitable for outdoor use reduces the risk of electric shock.

### 3. Personal safety

- a. **Stay alert, watch what you are doing and use common sense when operating a power tool. Do not use a power tool while you are tired or under the influence of drugs, alcohol or medication.**  
A moment of inattention while operating power tools may result in serious personal injury.
  - b. **Use safety equipment. Always wear eye protection.**  
Safety equipment such as dust mask, non-skid safety shoes, hard hat, or hearing protection used for appropriate conditions will reduce personal injuries.
  - c. **Avoid accidental starting. Ensure the switch is in the off position before plugging in.**  
Carrying power tools with your finger on the switch or plugging in power tools that have the switch on invites accidents.
  - d. **Remove any adjusting key or wrench before turning the power tool on.**  
A wrench or a key left attached to a rotating part of the power tool may result in personal injury.
  - e. **Do not overreach. Keep proper footing and balance at all times.**  
This enables better control of the power tool in unexpected situations.
  - f. **Dress properly. Do not wear loose clothing or jewellery. Keep your hair, clothing and gloves away from moving parts.**  
Loose clothes, jewellery or long hair can be caught in moving parts.
  - g. **If devices are provided for the connection of dust extraction and collection facilities, ensure these are connected and properly used.**  
Use of these devices can reduce dust related hazards.
- ### 4. Power tool use and care
- a. **Do not force the power tool. Use the correct power tool for your application.**  
The correct power tool will do the job better and safer at the rate for which it was designed.
  - b. **Do not use the power tool if the switch does not turn it on and off.**  
Any power tool that cannot be controlled with the switch is dangerous and must be repaired.
  - c. **Disconnect the plug from the power source before making any adjustments, changing accessories, or storing power tools.**  
Such preventive safety measures reduce the risk of starting the power tool accidentally.
  - d. **Store idle power tools out of the reach of children and do not allow persons unfamiliar with the power tool or these instructions to operate the power tool.**  
Power tools are dangerous in the hands of untrained users.

- e. **Maintain power tools. Check for misalignment or binding of moving parts, breakage of parts and any other condition that may affect the power tools operation. If damaged, have the power tool repaired before use.**

Many accidents are caused by poorly maintained power tools.

- f. **Keep cutting tools sharp and clean.**

Properly maintained cutting tools with sharp cutting edges are less likely to bind and are easier to control.

- g. **Use the power tool, accessories and tool bits etc., in accordance with these instructions and in the manner intended for the particular type of power tool, taking into account the working conditions and the work to be performed.**

Use of the power tool for operations different from those intended could result in a hazardous situation.

## 5. Battery tool use and care

- a. **Ensure the switch is in the off position before inserting battery pack.**

Inserting the battery pack into power tools that have the switch on invites accidents.

- b. **Recharge only with the charger specified by the manufacturer.**

A charger that is suitable for one type of battery pack may create a risk of fire when used with another battery pack.

- c. **Use power tools only with specifically designated battery packs.**

Use of any other battery packs may create a risk of injury and fire.

- d. **When battery pack is not in use, keep it away from other metal objects like paper clips, coins, keys, nails, screws, or other small metal objects that can make a connection from one terminal to another.**

Shorting the battery terminals together may cause burns or a fire.

- e. **Under abusive conditions, liquid may be ejected from the battery; avoid contact. If contact accidentally occurs, flush with water. If liquid contacts eyes, additionally seek medical help.**

Liquid ejected from the battery may cause irritation or burns.

## 6. Service

- a. **Have your power tool serviced by a qualified repair person using only identical replacement parts.**

This will ensure that the safety of the power tool is maintained.

## Additional safety instructions

The intended use is described in this instruction manual. Do not force small tools or attachments to do the job of a heavy-duty tool. The tool will do the job better and safer at the rate for which it was intended. Do not force the tool.

Do not use the tool for purposes not intended, for example, do not use a circular saw to cut tree limbs or logs.

**Warning!** The use of any accessory or attachment or performance of any operation with this tool other than those recommended in this instruction manual may present a risk of personal injury.

Before use, carefully check the tool and mains cable for damage. Check for misalignment and seizure of moving parts, breakage of parts, damage to guards and switches and any other conditions that may affect its operation. Ensure that the tool will operate properly and perform its intended function. Do not use the tool if any part is damaged or defective. Do not use the tool if the switch does not turn it on and off. Have any damaged or defective parts repaired or replaced by an authorised repair agent. Never attempt any repairs yourself.

## Additional safety instructions for pole scrubbers

- ◆ Before use, clean and inspect the brush for trapped debris.
- ◆ Do not scrub with solvents, acids, caustics, poisons, oils, flammable liquids or similar products.
- ◆ Always position yourself out of the path of cleaning.
- ◆ Keep proper footing and balance at all times.
- ◆ Wear ear protection whenever the sound level seems uncomfortable.
- ◆ Hold the tool firmly with both hands when the motor is running.
- ◆ Always remove the battery from the tool when storing or transporting the tool.
- ◆ Only use genuine replacement parts and accessories.
- ◆ Never stand directly under the area you are cleaning.
- ◆ Never use the tool on a ladder or unstable support.
- ◆ Do not extend the tool above shoulder height.

## Warning symbols

The following warning symbols are found on the tool:



Read the instruction manual before use.



Keep bystanders away.



Wear eye protection.



Do not incinerate the battery.



Electrocution hazard. Keep at least 10 m away from overhead lines.



Recommended for use on most painted surfaces.



Not recommended for use on painted surfaces.

## Additional safety instructions for batteries and chargers

### Batteries

- ◆ Never attempt to open for any reason.
- ◆ Do not expose the battery to water.
- ◆ Do not store in locations where the temperature may exceed 40 °C.
- ◆ Charge only at ambient temperatures between 4 °C and 40 °C.
- ◆ Charge only using the charger provided with the tool.
- ◆ When disposing of batteries, follow the instructions given in the section "Protecting the environment".

### Chargers

- ◆ Use your Black & Decker charger only to charge the battery in the tool with which it was supplied. Other batteries could burst, causing personal injury and damage.
- ◆ Never attempt to charge non-rechargeable batteries.
- ◆ Have defective cords replaced immediately.
- ◆ Do not expose the charger to water.
- ◆ Do not open the charger.
- ◆ Do not probe the charger.



The charger is intended for indoor use only.



Fail safe isolating transformer. The mains supply is electrically separated from the transformer output.



The charger automatically shuts off if the ambient temperature becomes too high. As a consequence the charger will be inoperable. The charger must be disconnected from the mains supply and taken to an authorised service centre for repair.



Read the instruction manual before use.

### Electrical safety



Your charger is double insulated; therefore no earth wire is required. Always check that the mains voltage corresponds to the voltage on the rating plate.

- ◆ **Warning!** Never attempt to replace the charger unit with a regular mains plug.
- ◆ If the supply cord is damaged, it must be replaced by the manufacturer or an authorised Black & Decker Service Centre in order to avoid a hazard.

## Features

1. On/off switch
2. Main handle
3. Brush head
4. Brush
5. Brush head lock clip
6. Extension tube (orange)
7. Extension tube (green)
8. Battery compartment

## Fig. A

9. Soft brush, 20 cm (8")
10. Firm brush, 20 cm (8")
11. Firm brush, 10 cm (4")

## Fig. B

12. Charger
13. Charger receptacle
14. Charging indicator
15. End of charge indicator

## Assembly

**Warning!** Before assembly, remove the battery from the tool.

### Fitting and removing the battery (fig. C)

- ◆ Open the battery compartment (8) by turning the battery cover (16) counterclockwise.
- ◆ To fit the battery (17), line it up with the receptacle (18) on the tool. Slide the battery into the receptacle and push until the battery snaps into place.
- ◆ To remove the battery, pull the battery out of the receptacle.
- ◆ Replace the battery cover by turning it clockwise.

### Fitting the battery cap (fig. D)

**Warning!** Fit the cap (19) to the battery (17) for transportation and storage.

### Fitting and removing the brush head (fig. E)

**Warning!** Remove the battery from the tool when fitting or removing brushes.

- ◆ Push the brush connector (20) towards the brush head (3).
- ◆ To fit the brush (4), push it into the brush head.
- ◆ To remove the brush, pull the brush out of the brush head.
- ◆ Release the brush connector.

## Extending the brush head (fig. F)

The maximum reach can be achieved by fitting the extension tubes between the the brush head (3) and the handle (2).

### Fitting one extension tube

- ◆ Align the groove on the outside of the coupling end of the handle (2) with the tongue on the inside of the coupling end of the extension tube (6).
- ◆ Push the extension tube onto the handle.
- ◆ Slide the collar (21) down and rotate clockwise until it is fully tightened.
- ◆ Align the groove on the outside of the coupling end of the extension tube (6) with the tongue on the inside of the coupling end of the brush head (3).
- ◆ Push the brush head (3) onto the extension tube.
- ◆ Slide the collar (22) down and rotate clockwise until it is fully tightened.

### Fitting two extension tubes

- ◆ Fit one extension tube as described above.
- ◆ Align the groove on the outside of the coupling end of extension tube (7) with the tongue on the inside of the coupling end of the extension tube (6).
- ◆ Push the extension tube (7) onto the other extension tube.
- ◆ Slide the collar (22) down and rotate clockwise until it is fully tightened.
- ◆ Align the groove on the outside of the coupling end of the extension tube (7) with the tongue on the inside of the coupling end of the brush head (3).
- ◆ Push the brush head (3) onto the extension tube (7).
- ◆ Slide the collar (23) down and rotate clockwise until it is fully tightened.

## Use

**Warning!** Let the tool work at its own pace. Do not overload.

- ◆ Use the tool on wet or soapy surfaces.
- ◆ Use the tool with 1 extension for short reach applications.
- ◆ Use the tool with 2 extensions for extra long reach applications
- ◆ If the tool starts running slowly, reduce the load.
- ◆ If possible, keep the battery connected to the charger and the charger plugged in whenever the tool is not in use.

## Charging the battery (fig. B)

The battery needs to be charged before first use and whenever it fails to produce sufficient power on jobs that were easily done before. When charging the battery for the first time, or after prolonged storage, it will only accept an 80% charge. After several charge and discharge cycles, the battery will attain full capacity. The battery may become warm while charging; this is normal and does not indicate a problem.

**Warning!** Do not charge the battery at ambient temperatures below 4 °C or above 40 °C. Recommended charging temperature: approx. 24 °C.

### 8 hour charger

- ◆ To charge the battery (17), remove it from the tool and slide the charger receptacle (13) onto the battery.
- ◆ Plug in the charger (12).

The battery will be fully charged in approx. 8 hours. It can be removed at any time or left in the connected charger indefinitely.

### 1 hour charger

- ◆ To charge the battery (17), remove it from the tool and insert it into the charger (12). The battery will only fit into the charger in one way. Do not force. Be sure that the battery is fully seated in the charger.
- ◆ Plug in the charger.

Check if the red charging indicator (14) lights up. If the green end of charge indicator (15) lights up now instead, the battery is too hot and cannot be charged. If this happens, remove the battery from the charger, let the battery cool down for approx. 1 hour and re-insert it.

After approx. 1 hour of charging, the red charging indicator will stop lighting and the green end of charge indicator will light up. The battery is now fully charged.

- ◆ Remove the battery from the charger.

## Switching on and off (fig. G)

- ◆ To switch the tool on, set the on/off switch (1) to position I.
- ◆ To switch the tool off, set the on/off switch to position O.

## Changing the operating mode (fig. H & I)

The tool can be set into pivot mode or fixed mode. The pivot mode enables a free rotation of the brush head. The fixed mode restricts the rotation of the brush head. The brush head can be fixed at any angle within 80° of rotation.

- ◆ Pull out the lock clip (5).
- ◆ For the pivot mode, rotate the clip 180° to the unlock symbol.
- ◆ For the fixed mode, rotate the clip 180° to the lock symbol.
- ◆ Push the clip back until it locks into place.

## Using the tool in pivot mode

- ◆ Hold the tool as shown in fig. J & K.

## Using the tool in fixed mode

- ◆ Hold the tool as shown in fig. L.

## Hints for optimum use

- ◆ Use the pivot mode for contoured surface and cleaning large areas with a back and forth motion.
- ◆ Use the fixed mode for aggressive scrubbing and cleaning with a side to side motion.



## Cleaning, maintenance and storage

Your Black & Decker tool has been designed to operate over a long period of time with a minimum of maintenance.

Continuous satisfactory operation depends upon proper tool care and regular cleaning.

Your charger does not require any maintenance apart from regular cleaning.

**Warning!** Before performing any maintenance on the tool, remove the battery from the tool. Unplug the charger before cleaning it.

## After use and before storage

**Warning!** Wear proper gloves and eye protection when cleaning the tool.

- ◆ After use, carefully clean the brushes.
- ◆ Regularly clean the motor housing using a damp cloth. Do not use any abrasive or solvent-based cleaner.
- ◆ Make sure all switches are free of debris before and after use.

## Storage

When the tool will not be used for several months, ideally leave the battery connected to the charger. Otherwise proceed as follows:

- ◆ Fully charge the battery.
- ◆ Remove the battery from the tool.
- ◆ Store the tool and battery in a secure and dry location.
- ◆ The storage temperature must always remain in the range of +5 °C to +40 °C. Place the battery on a level surface.
- ◆ Before using the tool after prolonged storage, fully charge the battery again.

## Troubleshooting

If the tool does not operate correctly, check the following.

Fault	Possible cause	Action
Tool will not start.	Battery not installed properly.	Check the battery installation.
	Battery discharged.	Fit a (fully) charged battery.
	Lock-off button not actuated.	Observe the starting procedure.
Battery will not charge.	Pole connections not properly tightened.	Check the connections.
	Battery not installed properly.	Check the battery installation.

## Protecting the environment



Separate collection. This product must not be disposed of with normal household waste.

Should you find one day that your Black & Decker product needs replacement, or if it is of no further use to you, do not dispose of it with household waste. Make this product available for separate collection.



Separate collection of used products and packaging allows materials to be recycled and used again. Re-use of recycled materials helps prevent environmental pollution and reduces the demand for raw materials.

Local regulations may provide for separate collection of electrical products from the household, at municipal waste sites or by the retailer when you purchase a new product. Black & Decker provides a facility for the collection and recycling of Black & Decker products once they have reached the end of their working life. To take advantage of this service please return your product to any authorised repair agent who will collect them on our behalf.

You can check the location of your nearest authorised repair agent by contacting your local Black & Decker office at the address indicated in this manual. Alternatively, a list of authorised Black & Decker repair agents and full details of our after-sales service and contacts are available on the Internet at: [www.2helpU.com](http://www.2helpU.com)

## Batteries



Black & Decker batteries can be recharged many times. At the end of their useful life, discard batteries with due care for our environment:

- ◆ Run the battery down completely, then remove it from the tool.
- ◆ NiCd and NiMH batteries are recyclable. Take them to any authorised repair agent or a local recycling station.

## Technical data

GPC900	
Voltage	V <sub>DC</sub> 18
No-load speed	min <sup>-1</sup> 150
Max. pole length	m 3
Weight (without battery)	kg 3.25

## Battery

Voltage	V <sub>DC</sub> 18
Capacity	Ah 1.5
Weight	kg 0.9

Charger	8 hr	1 hr
Input voltage	V <sub>AC</sub> 230	230
Approx. charging time	h 8	1
Weight	kg 0.4	1.2

## EC declaration of conformity

Black & Decker declares that these products conform to:  
98/37/EC, 89/336/EEC, 73/23/EEC, EN 55014, EN 60335 &  
EN 61000



Kevin Hewitt  
Director of Consumer Engineering  
Spennymoor, County Durham DL16 6JG,  
United Kingdom  
1-11-2006

## Guarantee

Black & Decker is confident of the quality of its products and offers an outstanding guarantee. This guarantee statement is in addition to and in no way prejudices your statutory rights. The guarantee is valid within the territories of the Member States of the European Union and the European Free Trade Area.

If a Black & Decker product becomes defective due to faulty materials, workmanship or lack of conformity, within 24 months from the date of purchase, Black & Decker guarantees to replace defective parts, repair products subjected to fair wear and tear or replace such products to ensure minimum inconvenience to the customer unless:

- ◆ The product has been used for trade, professional or hire purposes;
- ◆ The product has been subjected to misuse or neglect;
- ◆ The product has sustained damage through foreign objects, substances or accidents;
- ◆ Repairs have been attempted by persons other than authorised repair agents or Black & Decker service staff.

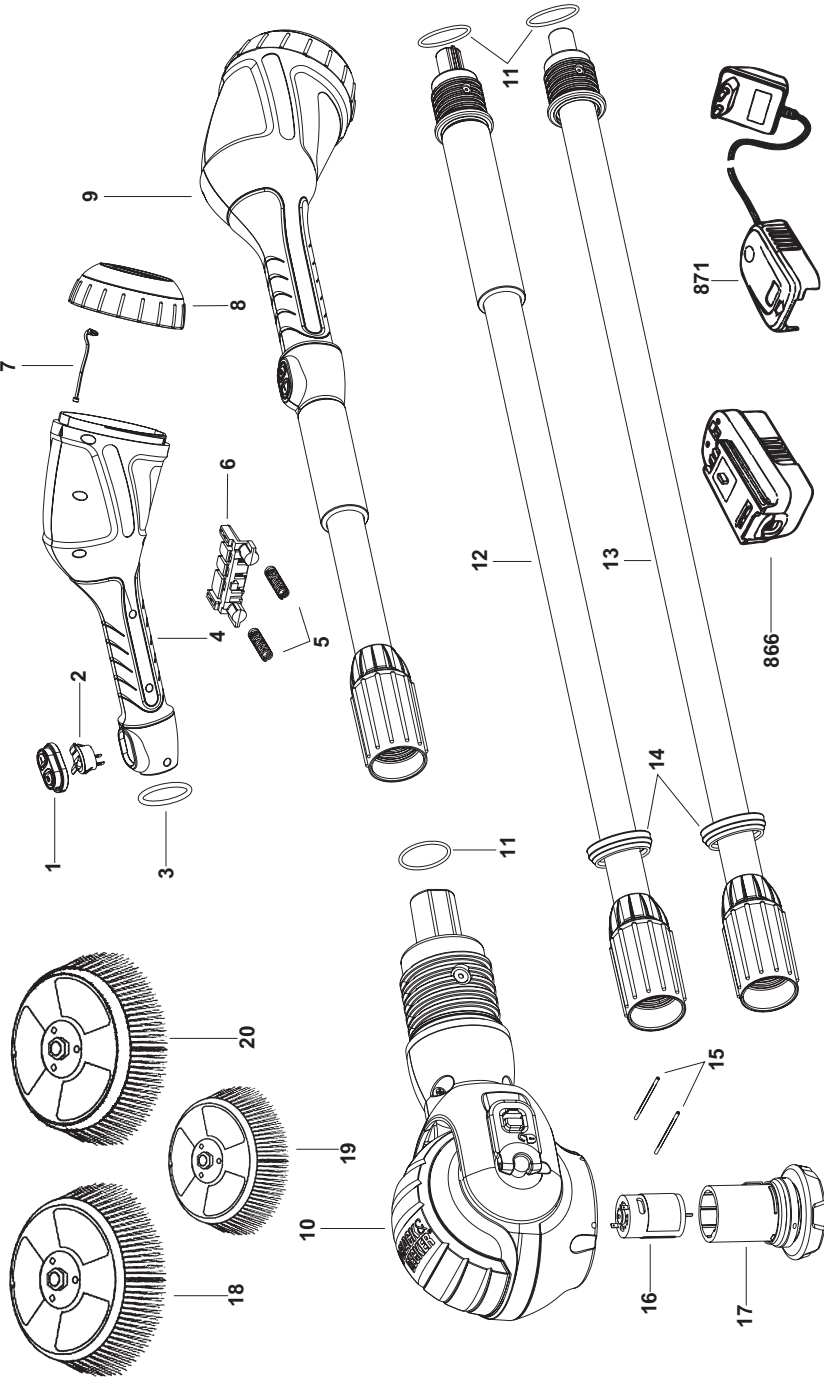
To claim on the guarantee, you will need to submit proof of purchase to the seller or an authorised repair agent. You can check the location of your nearest authorised repair agent by contacting your local Black & Decker office at the address indicated in this manual. Alternatively, a list of authorised Black & Decker repair agents and full details of our after-sales service and contacts are available on the Internet at:

**[www.2helpU.com](http://www.2helpU.com)**

Please visit our website **[www.blackanddecker.co.uk](http://www.blackanddecker.co.uk)** to register your new Black & Decker product and to be kept up to date on new products and special offers. Further information on the Black & Decker brand and our range of products is available at **[www.blackanddecker.co.uk](http://www.blackanddecker.co.uk)**

# GPC900

TYP.  
1



**Australia**

Black & Decker (Australia) Pty. Ltd.  
20 Fletcher Road, Mooroolbark,  
Victoria, 3138

Tel. 03-8720 5100  
Fax 03-9727 5940

**New Zealand**

Black & Decker  
81 Hugo Johnston Drive  
Penrose, Auckland, New Zealand

Tel. 09 579 7600  
Fax 09 579 8200

**United Kingdom**

Black & Decker  
210 Bath Road  
Slough, Berkshire SL1 3YD

Tel. 01753 511234  
Fax 01753 551155  
Helpline 01753 574277