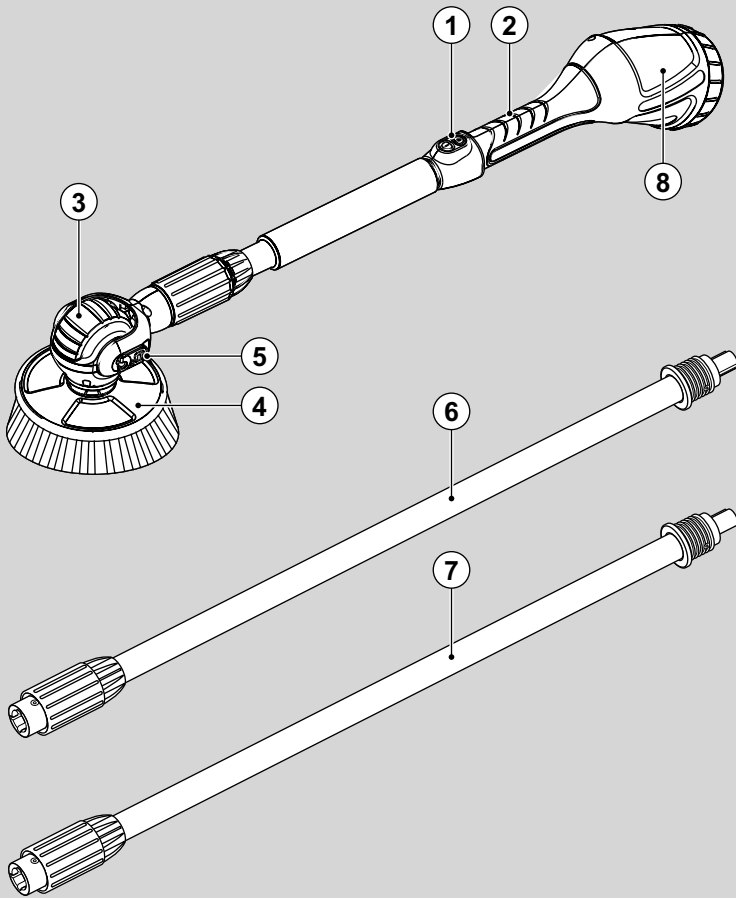


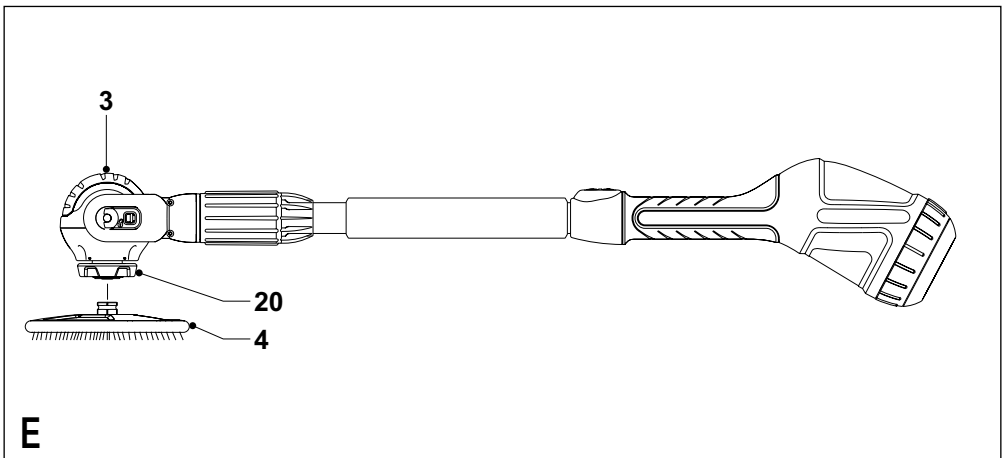
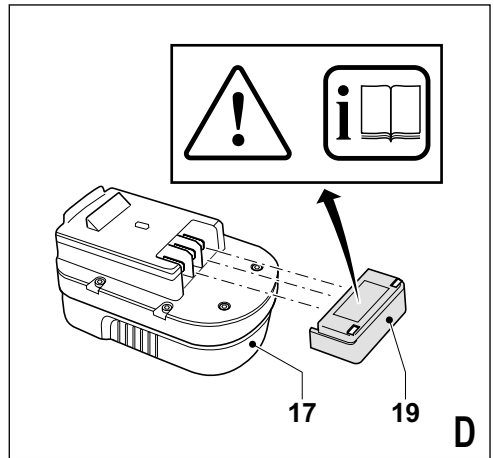
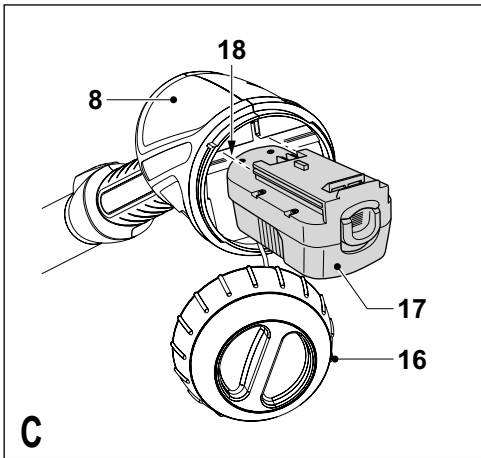
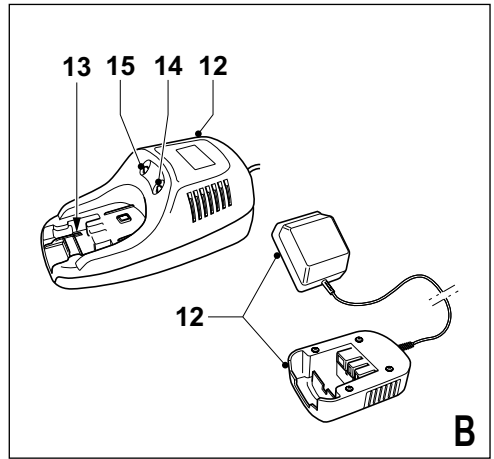
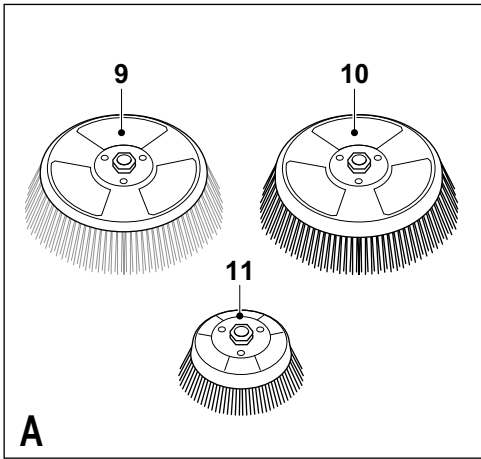


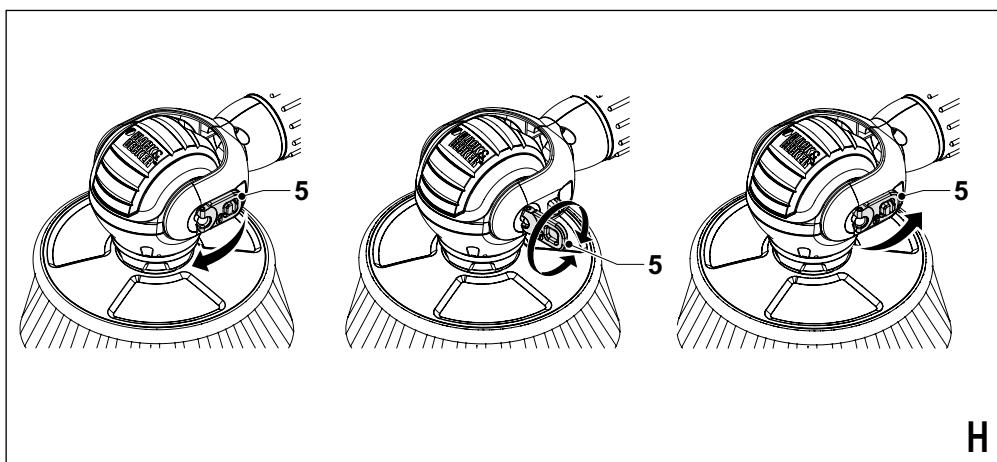
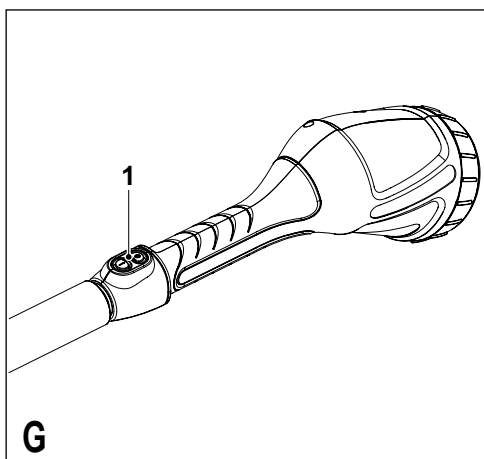
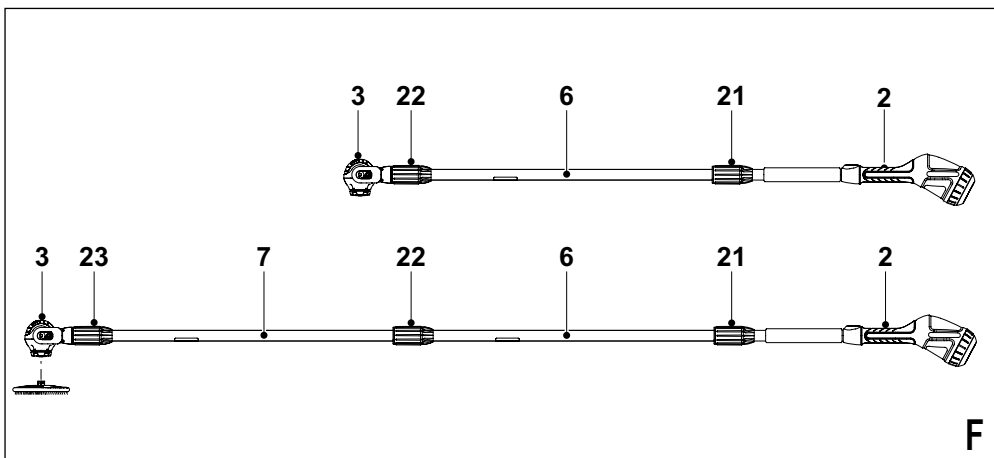
# BLACK & DECKER®

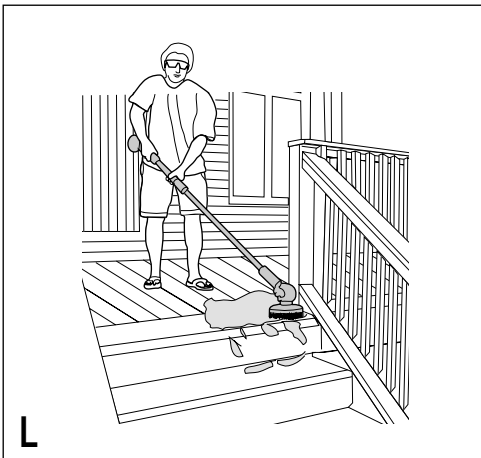
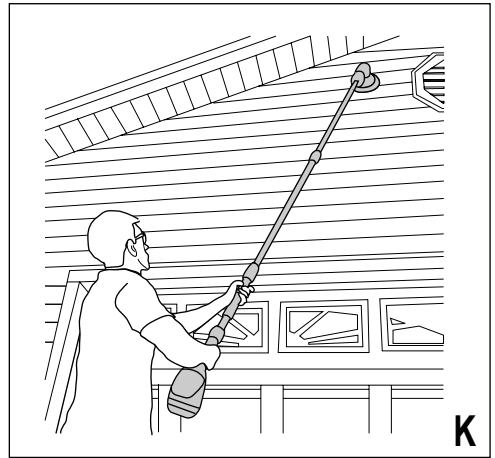
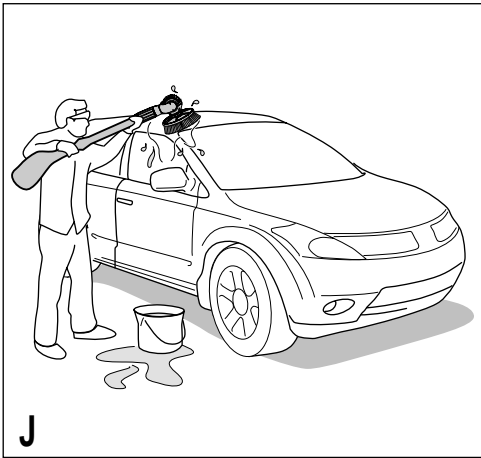
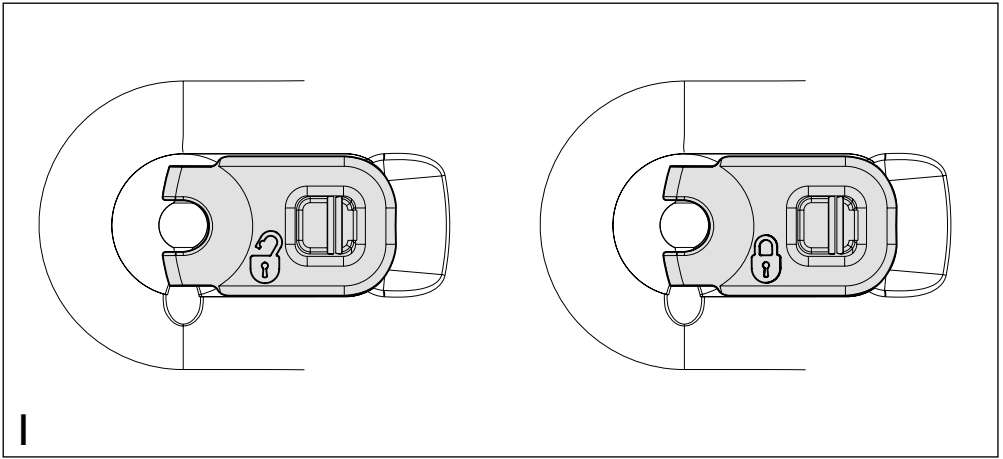
www.blackanddecker.eu



English	5
Deutsch	11
Français	18
Italiano	25
Nederlands	32
Español	39
Português	46
Svenska	53
Norsk	59
Dansk	65
Suomi	71
Ελληνικά	00







## Intended use

Your Black & Decker cordless pole scrubber has been designed for light cleaning and scrubbing surfaces.

This tool is intended for consumer use only.

Your Black & Decker charger has been designed for charging Black & Decker batteries of the type supplied with this tool.

## General safety rules

**Warning!** Read all instructions. Failure to follow all instructions listed below may result in electric shock, fire and/or serious injury. The term "power tool" in all of the warnings listed below refers to your mains operated (corded) power tool or battery operated (cordless) power tool.

SAVE THESE INSTRUCTIONS.

1. **Work area**
  - a. **Keep work area clean and well lit.**  
Cluttered and dark areas invite accidents.
  - b. **Do not operate power tools in explosive atmospheres, such as in the presence of flammable liquids, gases or dust.**  
Power tools create sparks which may ignite the dust or fumes.
  - c. **Keep children and bystanders away while operating a power tool.**  
Distractions can cause you to lose control.
2. **Electrical safety**
  - a. **Power tool plugs must match the outlet. Never modify the plug in any way. Do not use any adapter plugs with earthed (grounded) power tools.**  
Unmodified plugs and matching outlets will reduce risk of electric shock.
  - b. **Avoid body contact with earthed or grounded surfaces such as pipes, radiators, ranges and refrigerators.**  
There is an increased risk of electric shock if your body is earthed or grounded.
  - c. **Do not expose power tools to rain or wet conditions.**  
Water entering a power tool will increase the risk of electric shock.
  - d. **Do not abuse the cord. Never use the cord for carrying, pulling or unplugging the power tool. Keep cord away from heat, oil, sharp edges or moving parts.**  
Damaged or entangled cords increase the risk of electric shock.
  - e. **When operating a power tool outdoors, use an extension cord suitable for outdoor use.**  
Use of a cord suitable for outdoor use reduces the risk of electric shock.
3. **Personal safety**
  - a. **Stay alert, watch what you are doing and use common sense when operating a power tool. Do not use a power tool while you are tired or under the influence of drugs, alcohol or medication.**  
A moment of inattention while operating power tools may result in serious personal injury.
  - b. **Use safety equipment. Always wear eye protection.**  
Safety equipment such as dust mask, non-skid safety shoes, hard hat, or hearing protection used for appropriate conditions will reduce personal injuries.
  - c. **Avoid accidental starting. Ensure the switch is in the off position before plugging in.**  
Carrying power tools with your finger on the switch or plugging in power tools that have the switch on invites accidents.
  - d. **Remove any adjusting key or wrench before turning the power tool on.**  
A wrench or a key left attached to a rotating part of the power tool may result in personal injury.
  - e. **Do not overreach. Keep proper footing and balance at all times.**  
This enables better control of the power tool in unexpected situations.
  - f. **Dress properly. Do not wear loose clothing or jewellery. Keep your hair, clothing and gloves away from moving parts.**  
Loose clothes, jewellery or long hair can be caught in moving parts.
  - g. **If devices are provided for the connection of dust extraction and collection facilities, ensure these are connected and properly used.**  
Use of these devices can reduce dust related hazards.
4. **Power tool use and care**
  - a. **Do not force the power tool. Use the correct power tool for your application.**  
The correct power tool will do the job better and safer at the rate for which it was designed.
  - b. **Do not use the power tool if the switch does not turn it on and off.**  
Any power tool that cannot be controlled with the switch is dangerous and must be repaired.
  - c. **Disconnect the plug from the power source before making any adjustments, changing accessories, or storing power tools.**  
Such preventive safety measures reduce the risk of starting the power tool accidentally.
  - d. **Store idle power tools out of the reach of children and do not allow persons unfamiliar with the power tool or these instructions to operate the power tool.**  
Power tools are dangerous in the hands of untrained users.

- e. **Maintain power tools. Check for misalignment or binding of moving parts, breakage of parts and any other condition that may affect the power tools operation. If damaged, have the power tool repaired before use.**

Many accidents are caused by poorly maintained power tools.

- f. **Keep cutting tools sharp and clean.**

Properly maintained cutting tools with sharp cutting edges are less likely to bind and are easier to control.

- g. **Use the power tool, accessories and tool bits etc., in accordance with these instructions and in the manner intended for the particular type of power tool, taking into account the working conditions and the work to be performed.**

Use of the power tool for operations different from those intended could result in a hazardous situation.

## 5. Battery tool use and care

- a. **Ensure the switch is in the off position before inserting battery pack.**

Inserting the battery pack into power tools that have the switch on invites accidents.

- b. **Recharge only with the charger specified by the manufacturer.**

A charger that is suitable for one type of battery pack may create a risk of fire when used with another battery pack.

- c. **Use power tools only with specifically designated battery packs.**

Use of any other battery packs may create a risk of injury and fire.

- d. **When battery pack is not in use, keep it away from other metal objects like paper clips, coins, keys, nails, screws, or other small metal objects that can make a connection from one terminal to another.**

Shorting the battery terminals together may cause burns or a fire.

- e. **Under abusive conditions, liquid may be ejected from the battery; avoid contact. If contact accidentally occurs, flush with water. If liquid contacts eyes, additionally seek medical help.**

Liquid ejected from the battery may cause irritation or burns.

## 6. Service

- a. **Have your power tool serviced by a qualified repair person using only identical replacement parts.**

This will ensure that the safety of the power tool is maintained.

## Additional safety instructions

The intended use is described in this instruction manual.

Do not force small tools or attachments to do the job of a heavy-duty tool. The tool will do the job better and safer at the rate for which it was intended. Do not force the tool.

Do not use the tool for purposes not intended, for example, do not use a circular saw to cut tree limbs or logs.

**Warning!** The use of any accessory or attachment or performance of any operation with this tool other than those recommended in this instruction manual may present a risk of personal injury.

Before use, carefully check the tool and mains cable for damage. Check for misalignment and seizure of moving parts, breakage of parts, damage to guards and switches and any other conditions that may affect its operation. Ensure that the tool will operate properly and perform its intended function. Do not use the tool if any part is damaged or defective. Do not use the tool if the switch does not turn it on and off. Have any damaged or defective parts repaired or replaced by an authorised repair agent. Never attempt any repairs yourself.

## Additional safety instructions for pole scrubbers

- ◆ Before use, clean and inspect the brush for trapped debris.
- ◆ Do not scrub with solvents, acids, caustics, poisons, oils, flammable liquids or similar products.
- ◆ Always position yourself out of the path of cleaning.
- ◆ Keep proper footing and balance at all times.
- ◆ Wear ear protection whenever the sound level seems uncomfortable.
- ◆ Hold the tool firmly with both hands when the motor is running.
- ◆ Always remove the battery from the tool when storing or transporting the tool.
- ◆ Only use genuine replacement parts and accessories.
- ◆ Never stand directly under the area you are cleaning.
- ◆ Never use the tool on a ladder or unstable support.
- ◆ Do not extend the tool above shoulder height.

## Warning symbols

The following warning symbols are found on the tool:



Read the instruction manual before use.



Keep bystanders away.



Wear eye protection.



Do not incinerate the battery.



Electrocution hazard. Keep at least 10 m away from overhead lines.



Recommended for use on most painted surfaces.



Not recommended for use on painted surfaces.

## Additional safety instructions for batteries and chargers

### Batteries

- ◆ Never attempt to open for any reason.
- ◆ Do not expose the battery to water.
- ◆ Do not store in locations where the temperature may exceed 40 °C.
- ◆ Charge only at ambient temperatures between 4 °C and 40 °C.
- ◆ Charge only using the charger provided with the tool.
- ◆ When disposing of batteries, follow the instructions given in the section "Protecting the environment".

### Chargers

- ◆ Use your Black & Decker charger only to charge the battery in the tool with which it was supplied. Other batteries could burst, causing personal injury and damage.
- ◆ Never attempt to charge non-rechargeable batteries.
- ◆ Have defective cords replaced immediately.
- ◆ Do not expose the charger to water.
- ◆ Do not open the charger.
- ◆ Do not probe the charger.



The charger is intended for indoor use only.



Fail safe isolating transformer. The mains supply is electrically separated from the transformer output.



The charger automatically shuts off if the ambient temperature becomes too high. As a consequence the charger will be inoperable. The charger must be disconnected from the mains supply and taken to an authorised service centre for repair.



Read the instruction manual before use.

### Electrical safety



Your charger is double insulated; therefore no earth wire is required. Always check that the mains voltage corresponds to the voltage on the rating plate.

- ◆ **Warning!** Never attempt to replace the charger unit with a regular mains plug.
- ◆ If the supply cord is damaged, it must be replaced by the manufacturer or an authorised Black & Decker Service Centre in order to avoid a hazard.

### Features

1. On/off switch
2. Main handle
3. Brush head
4. Brush
5. Brush head lock clip
6. Extension tube (orange)
7. Extension tube (green)
8. Battery compartment

### Fig. A

9. Soft brush, 20 cm (8")
10. Firm brush, 20 cm (8")
11. Firm brush, 10 cm (4")

### Fig. B

12. Charger
13. Charger receptacle
14. Charging indicator
15. End of charge indicator

### Assembly

**Warning!** Before assembly, remove the battery from the tool.

### Fitting and removing the battery (fig. C)

- ◆ Open the battery compartment (8) by turning the battery cover (16) counterclockwise.
- ◆ To fit the battery (17), line it up with the receptacle (18) on the tool. Slide the battery into the receptacle and push until the battery snaps into place.
- ◆ To remove the battery, pull the battery out of the receptacle.
- ◆ Replace the battery cover by turning it clockwise.

### Fitting the battery cap (fig. D)

**Warning!** Fit the cap (19) to the battery (17) for transportation and storage.

### Fitting and removing the brush head (fig. E)

**Warning!** Remove the battery from the tool when fitting or removing brushes.

- ◆ Push the brush connector (20) towards the brush head (3).
- ◆ To fit the brush (4), push it into the brush head.
- ◆ To remove the brush, pull the brush out of the brush head.
- ◆ Release the brush connector.

**Extending the brush head (fig. F)**

The maximum reach can be achieved by fitting the extension tubes between the the brush head (3) and the handle (2).

**Fitting one extension tube**

- ◆ Align the groove on the outside of the coupling end of the handle (2) with the tongue on the inside of the coupling end of the extension tube (6).
- ◆ Push the extension tube onto the handle.
- ◆ Slide the collar (21) down and rotate clockwise until it is fully tightened.
- ◆ Align the groove on the outside of the coupling end of the extension tube (6) with the tongue on the inside of the coupling end of the brush head (3).
- ◆ Push the brush head (3) onto the extension tube.
- ◆ Slide the collar (22) down and rotate clockwise until it is fully tightened.

**Fitting two extension tubes**

- ◆ Fit one extension tube as described above.
- ◆ Align the groove on the outside of the coupling end of extension tube (7) with the tongue on the inside of the coupling end of the extension tube (6).
- ◆ Push the extension tube (7) onto the other extension tube.
- ◆ Slide the collar (22) down and rotate clockwise until it is fully tightened.
- ◆ Align the groove on the outside of the coupling end of the extension tube (7) with the tongue on the inside of the coupling end of the brush head (3).
- ◆ Push the brush head (3) onto the extension tube (7).
- ◆ Slide the collar (23) down and rotate clockwise until it is fully tightened.

**Use**

**Warning!** Let the tool work at its own pace. Do not overload.

- ◆ Use the tool on wet or soapy surfaces.
- ◆ Use the tool with 1 extension for short reach applications.
- ◆ Use the tool with 2 extensions for extra long reach applications
- ◆ If the tool starts running slowly, reduce the load.
- ◆ If possible, keep the battery connected to the charger and the charger plugged in whenever the tool is not in use.

**Charging the battery (fig. B)**

The battery needs to be charged before first use and whenever it fails to produce sufficient power on jobs that were easily done before. When charging the battery for the first time, or after prolonged storage, it will only accept an 80% charge. After several charge and discharge cycles, the battery will attain full capacity. The battery may become warm while charging; this is normal and does not indicate a problem.

**Warning!** Do not charge the battery at ambient temperatures below 4 °C or above 40 °C. Recommended charging temperature: approx. 24 °C.

**8 hour charger**

- ◆ To charge the battery (17), remove it from the tool and slide the charger receptacle (13) onto the battery.
- ◆ Plug in the charger (12).

The battery will be fully charged in approx. 8 hours. It can be removed at any time or left in the connected charger indefinitely.

**1 hour charger**

- ◆ To charge the battery (17), remove it from the tool and insert it into the charger (12). The battery will only fit into the charger in one way. Do not force. Be sure that the battery is fully seated in the charger.
- ◆ Plug in the charger.

Check if the red charging indicator (14) lights up. If the green end of charge indicator (15) lights up now instead, the battery is too hot and cannot be charged. If this happens, remove the battery from the charger, let the battery cool down for approx. 1 hour and re-insert it.

After approx. 1 hour of charging, the red charging indicator will stop lighting and the green end of charge indicator will light up. The battery is now fully charged.

- ◆ Remove the battery from the charger.

**Switching on and off (fig. G)**

- ◆ To switch the tool on, set the on/off switch (1) to position I.
- ◆ To switch the tool off, set the on/off switch to position O.

**Changing the operating mode (fig. H & I)**

The tool can be set into pivot mode or fixed mode. The pivot mode enables a free rotation of the brush head. The fixed mode restricts the rotation of the brush head. The brush head can be fixed at any angle within 80° of rotation.

- ◆ Pull out the lock clip (5).
- ◆ For the pivot mode, rotate the clip 180° to the unlock symbol.
- ◆ For the fixed mode, rotate the clip 180° to the lock symbol.
- ◆ Push the clip back until it locks into place.

**Using the tool in pivot mode**

- ◆ Hold the tool as shown in fig. J & K.

**Using the tool in fixed mode**

- ◆ Hold the tool as shown in fig. L.

**Hints for optimum use**

- ◆ Use the pivot mode for contoured surface and cleaning large areas with a back and forth motion.
- ◆ Use the fixed mode for aggressive scrubbing and cleaning with a side to side motion.



## Cleaning, maintenance and storage

Your Black & Decker tool has been designed to operate over a long period of time with a minimum of maintenance.

Continuous satisfactory operation depends upon proper tool care and regular cleaning.

Your charger does not require any maintenance apart from regular cleaning.

**Warning!** Before performing any maintenance on the tool, remove the battery from the tool. Unplug the charger before cleaning it.

## After use and before storage

**Warning!** Wear proper gloves and eye protection when cleaning the tool.

- ◆ After use, carefully clean the brushes.
- ◆ Regularly clean the motor housing using a damp cloth. Do not use any abrasive or solvent-based cleaner.
- ◆ Make sure all switches are free of debris before and after use.

## Storage

When the tool will not be used for several months, ideally leave the battery connected to the charger.

Otherwise proceed as follows:

- ◆ Fully charge the battery.
- ◆ Remove the battery from the tool.
- ◆ Store the tool and battery in a secure and dry location.
- ◆ The storage temperature must always remain in the range of +5 °C to +40 °C. Place the battery on a level surface.
- ◆ Before using the tool after prolonged storage, fully charge the battery again.

## Troubleshooting

If the tool does not operate correctly, check the following.

Fault	Possible cause	Action
Tool will not start.	Battery not installed properly.	Check the battery installation.
	Battery discharged.	Fit a (fully) charged battery.
	Lock-off button not actuated.	Observe the starting procedure.
Battery will not charge.	Pole connections not properly tightened.	Check the connections.
	Battery not installed properly.	Check the battery installation.

## Protecting the environment



Separate collection. This product must not be disposed of with normal household waste.

Should you find one day that your Black & Decker product needs replacement, or if it is of no further use to you, do not dispose of it with household waste. Make this product available for separate collection.



Separate collection of used products and packaging allows materials to be recycled and used again. Re-use of recycled materials helps prevent environmental pollution and reduces the demand for raw materials.

Local regulations may provide for separate collection of electrical products from the household, at municipal waste sites or by the retailer when you purchase a new product. Black & Decker provides a facility for the collection and recycling of Black & Decker products once they have reached the end of their working life. To take advantage of this service please return your product to any authorised repair agent who will collect them on our behalf.

You can check the location of your nearest authorised repair agent by contacting your local Black & Decker office at the address indicated in this manual. Alternatively, a list of authorised Black & Decker repair agents and full details of our after-sales service and contacts are available on the Internet at: [www.2helpU.com](http://www.2helpU.com)

## Batteries



Black & Decker batteries can be recharged many times. At the end of their useful life, discard batteries with due care for our environment:

- ◆ Run the battery down completely, then remove it from the tool.
- ◆ NiCd and NiMH batteries are recyclable. Take them to any authorised repair agent or a local recycling station.

## Technical data

GPC900	
Voltage	$V_{DC}$ 18
No-load speed	$min^{-1}$ 150
Max. pole length	m 3
Weight (without battery)	kg 3.25

## Battery

Voltage	$V_{DC}$ 18
Capacity	Ah 1.5
Weight	kg 0.9

Charger	8 hr	1 hr
Input voltage	$V_{AC}$ 230	230
Approx. charging time	h 8	1
Weight	kg 0.4	1.2

## EC declaration of conformity

Black & Decker declares that these products conform to:  
98/37/EC, 89/336/EEC, 73/23/EEC, EN 55014, EN 60335 &  
EN 61000



Kevin Hewitt  
Director of Consumer Engineering  
Spennymoor, County Durham DL16 6JG,  
United Kingdom  
1-11-2006

## Guarantee

Black & Decker is confident of the quality of its products and offers an outstanding guarantee. This guarantee statement is in addition to and in no way prejudices your statutory rights. The guarantee is valid within the territories of the Member States of the European Union and the European Free Trade Area.

If a Black & Decker product becomes defective due to faulty materials, workmanship or lack of conformity, within 24 months from the date of purchase, Black & Decker guarantees to replace defective parts, repair products subjected to fair wear and tear or replace such products to ensure minimum inconvenience to the customer unless:

- ◆ The product has been used for trade, professional or hire purposes;
- ◆ The product has been subjected to misuse or neglect;
- ◆ The product has sustained damage through foreign objects, substances or accidents;
- ◆ Repairs have been attempted by persons other than authorised repair agents or Black & Decker service staff.

To claim on the guarantee, you will need to submit proof of purchase to the seller or an authorised repair agent. You can check the location of your nearest authorised repair agent by contacting your local Black & Decker office at the address indicated in this manual. Alternatively, a list of authorised Black & Decker repair agents and full details of our after-sales service and contacts are available on the Internet at:

**[www.2helpU.com](http://www.2helpU.com)**

Please visit our website **[www.blackanddecker.co.uk](http://www.blackanddecker.co.uk)** to register your new Black & Decker product and to be kept up to date on new products and special offers. Further information on the Black & Decker brand and our range of products is available at **[www.blackanddecker.co.uk](http://www.blackanddecker.co.uk)**

## Bestimmungsgemäße Verwendung

Ihr Black & Decker Akku-Stielschrubber wurde für leichte Reinigungs- und Schrubbarbeiten konzipiert. Dieses Gerät ist nicht für den gewerblichen Einsatz vorgesehen. Ihr Black & Decker Ladegerät wurde zum Laden von Black & Decker Akkus vom im Lieferumfang enthaltenen Typ entwickelt.

## Allgemeine Sicherheitsregeln

**Achtung!** Sämtliche Anweisungen sind zu lesen. Die Nichteinhaltung der nachstehend aufgeführten Anweisungen kann elektrischen Schlag, Brand und/oder schwere Verletzungen verursachen. Der nachfolgend verwendete Begriff "Gerät" bezieht sich auf netzbetriebene Geräte (mit Netzkabel) und auf akkubetriebene Geräte (ohne Netzkabel). BEWAHREN SIE DIESE ANWEISUNGEN AUF.

### 1. Arbeitsbereich

#### a. Halten Sie Ihren Arbeitsbereich sauber und gut ausgeleuchtet.

Unordnung und dunkle Arbeitsbereiche können zu Unfällen führen.

#### b. Arbeiten Sie mit Geräten nicht in explosionsgefährdeter Umgebung, in der sich brennbare Flüssigkeiten, Gase oder Stäube befinden.

Geräte erzeugen Funken, die den Staub oder die Dämpfe entzünden können.

#### c. Halten Sie Kinder und andere Personen während der Benutzung des Gerätes fern.

Bei Ablenkung können Sie die Kontrolle verlieren.

### 2. Elektrische Sicherheit

#### a. Der Anschlussstecker des Gerätes muß in die Steckdose passen. Der Stecker darf in keiner Weise verändert werden. Verwenden Sie keine Adapterstecker gemeinsam mit schutzgeerdeten Geräten.

Unveränderte Stecker und passende Steckdosen verringern das Risiko eines elektrischen Schlages.

#### b. Vermeiden Sie Körperkontakt mit geerdeten Oberflächen von Rohren, Heizungen, Herden und Kühlschränken.

Es besteht ein erhöhtes Risiko eines elektrischen Schlages, wenn Ihr Körper geerdet ist.

#### c. Halten Sie Geräte von Regen und Nässe fern.

Das Eindringen von Wasser in ein Gerät erhöht das Risiko eines elektrischen Schlages.

#### d. Missbrauchen Sie nicht das Kabel. Verwenden Sie das Kabel niemals zum Tragen, Ziehen oder Trennen des Gerätes vom Netz. Halten Sie das Kabel fern von Hitze, Öl, scharfen Kanten oder sich bewegenden Teilen.

Beschädigte oder verwickelte Kabel erhöhen das Risiko eines elektrischen Schlages.

#### e. Wenn Sie mit einem Gerät im Freien arbeiten, verwenden Sie nur Verlängerungskabel, die auch für den Außenbereich zugelassen sind.

Die Verwendung eines für den Außenbereich geeigneten Verlängerungskabels verringert das Risiko eines elektrischen Schlages.

### 3. Sicherheit von Personen

#### a. Seien Sie aufmerksam, achten Sie darauf, was Sie tun, und gehen Sie vernünftig mit einem Gerät um. Benutzen Sie das Gerät nicht, wenn Sie müde sind oder unter dem Einfluss von Drogen, Alkohol oder Medikamenten stehen.

Ein Moment der Unachtsamkeit beim Gebrauch von Geräten kann zu ernsthaften Verletzungen führen.

#### b. Verwenden Sie Schutzausrüstung. Tragen Sie stets einen Augenschutz.

Schutzausrüstung wie Staubmaske, rutschfeste Sicherheitsschuhe, Schutzhelm oder Gehörschutz, je nach Art und Einsatz des Gerätes, verringert das Risiko von Verletzungen.

#### c. Vermeiden Sie eine unbeabsichtigte Inbetriebnahme. Stellen Sie sicher, daß sich der Schalter in der Aus-Stellung befindet, bevor das Gerät mit dem Netz verbunden wird.

Durch das Tragen des Gerätes mit dem Finger am Schalter oder durch das Verbinden eingeschalteter Geräte werden Unfälle provoziert.

#### d. Entfernen Sie Einstellgeräte oder Schraubenschlüssel, bevor Sie das Gerät einschalten.

Ein Gerät oder Schlüssel, der sich in einem drehenden Teil befindet, kann zu Verletzungen führen.

#### e. Nicht zu weit nach vorne strecken! Achten Sie auf einen sicheren Stand, um in jeder Arbeitsposition das Gleichgewicht zu halten.

Dadurch können Sie das Gerät in unerwarteten Situationen besser unter Kontrolle halten.

#### f. Tragen Sie geeignete Kleidung. Tragen Sie keine weite Kleidung oder Schmuck. Halten Sie Haare, Kleidung und Handschuhe fern von sich bewegenden Teilen.

Lockere Kleidung, Schmuck oder lange Haare können von sich bewegenden Teilen erfaßt werden.

#### g. Falls Staubabsaug- und -auffangvorrichtungen vorhanden sind, vergewissern Sie sich, daß diese angeschlossen sind und richtig verwendet werden.

Das Verwenden dieser Einrichtungen verringert Gefährdungen durch Staub.

## 4. Gebrauch und Pflege von Geräten

- a. **Überlasten Sie das Gerät nicht. Verwenden Sie für Ihre Arbeit das dafür bestimmte Gerät.**

Mit dem passenden Gerät arbeiten Sie besser und sicherer im angegebenen Leistungsbereich.

- b. **Benutzen Sie kein Gerät, dessen Schalter defekt ist.**  
Ein Gerät, das sich nicht mehr ein- oder ausschalten lässt, ist gefährlich und muß repariert werden.
- c. **Ziehen Sie den Stecker aus der Steckdose, bevor Sie Einstellungen vornehmen, Zubehörteile wechseln oder das Gerät weglegen.**  
Diese Vorsichtsmaßnahme verhindert den unbeabsichtigten Start des Gerätes.

- d. **Bewahren Sie unbenutzte Geräte außerhalb der Reichweite von Kindern auf. Lassen Sie Geräte nicht von Personen benutzen, die damit nicht vertraut sind oder diese Anweisungen nicht gelesen haben.**

Geräte sind gefährlich, wenn Sie von unerfahrenen Personen benutzt werden.

- e. **Halten Sie Geräte in einem einwandfreien Zustand. Kontrollieren Sie, ob bewegliche Teile falsch ausgerichtet sind oder klemmen und ob Teile gebrochen oder so beschädigt sind, daß die Funktion des Gerätes beeinträchtigt ist. Lassen Sie beschädigte Geräte vor dem Gebrauch reparieren.**

Viele Unfälle haben ihre Ursache in schlecht gewarteten Geräten.

- f. **Halten Sie Schneidgeräte scharf und sauber.**  
Sorgfältig gepflegte Schneidgeräte mit scharfen Schneidkanten verklemmen sich weniger und sind leichter zu führen.
- g. **Verwenden Sie Gerät, Zubehör, Einsatz-Bits, usw. entsprechend diesen Anweisungen und so, wie es für diesen speziellen Gerättyp vorgeschrieben ist. Berücksichtigen Sie dabei die Arbeitsbedingungen und die auszuführende Arbeit.**

Der Gebrauch von Geräten für andere als die vorgesehenen Anwendungen kann zu gefährlichen Situationen führen.

## 5. Gebrauch und Pflege von Akku-Geräten

- a. **Stellen Sie sicher, daß das Gerät ausgeschaltet ist, bevor Sie den Akku einsetzen.**  
Das Einsetzen eines Akkus in ein eingeschaltetes Gerät kann zu Unfällen führen.
- b. **Laden Sie die Akkus nur in Ladegeräten auf, die vom Hersteller angegeben wurden.**  
Für ein Ladegerät, das nur für eine bestimmte Akkuart geeignet ist, besteht Brandgefahr, wenn es mit anderen Akkus verwendet wird.
- c. **Verwenden Sie nur die für die Geräte vorgesehenen Akkus.**  
Der Gebrauch von anderen Akkus kann zu Verletzungen und Brandgefahr führen.

- d. **Halten Sie den nicht benutzten Akku fern von Büroklammern, Münzen, Schlüsseln, Nägeln, Schrauben oder anderen kleinen Metallgegenständen, die eine Überbrückung der Kontakte verursachen könnten.**

Ein Kurzschluss zwischen den Akkukontakten kann Verbrennungen oder Feuer zur Folge haben.

- e. **Bei falscher Anwendung kann Flüssigkeit aus dem Akku austreten. Vermeiden Sie den Kontakt damit. Bei unbeabsichtigtem Kontakt mit Wasser abspülen. Gelangt die Flüssigkeit in die Augen, ziehen Sie außerdem ärztliche Hilfe hinzu.**  
Austretende Akkufflüssigkeit kann zu Hautreizungen oder Verbrennungen führen.

## 6. Service

- a. **Lassen Sie Ihr Gerät nur von qualifiziertem Fachpersonal und nur mit Original-Ersatzteilen reparieren.**  
Damit wird gewährleistet, daß die Sicherheit des Gerätes erhalten bleibt.

## Zusätzliche Sicherheitsanweisungen

Die bestimmungsgemäße Verwendung ist in dieser Bedienungsanleitung beschrieben. Verwenden Sie keine zu schwachen Werkzeuge oder Zubehörteile für schwere Arbeiten. Mit dem richtigen Werkzeug erzielen Sie eine optimale Qualität und gewährleisten Ihre persönliche Sicherheit. Überlasten Sie das Werkzeug nicht. Verwenden Sie das Gerät nicht für andere Zwecke als vorgesehen; verwenden Sie z.B. eine Handkreissäge nicht zum Sägen von Baumstämmen und Ästen.

**Achtung!** Das Verwenden anderer als der in dieser Anleitung empfohlenen Anbaugeräte und Zubehörteile oder die Ausführung von Arbeiten mit diesem Werkzeug, die nicht der bestimmungsgemäßen Verwendung entsprechen, kann zu Unfallgefahren führen.

Überprüfen Sie das Werkzeug und das Netzkabel vor der Arbeit auf Beschädigungen. Überprüfen Sie, ob alle beweglichen Teile richtig montiert sind, ob keine Teile gebrochen sind, ob keine Schutzvorrichtungen und Schalter beschädigt sind, und ob irgendwelche andere Schäden den einwandfreien Betrieb des Werkzeuges beeinträchtigen könnten. Vergewissern Sie sich, daß das Werkzeug ordnungsgemäß funktionieren wird. Benutzen Sie das Werkzeug nicht, wenn irgendein Teil defekt ist. Verwenden Sie das Werkzeug nicht, wenn der Ein-/Ausschalter nicht funktioniert. Lassen Sie defekte Teile immer von einer unserer Kundendienstwerkstätten reparieren oder austauschen. Versuchen Sie nie, das Werkzeug selber zu reparieren.

## Zusätzliche Sicherheitsanweisungen für Stielschrubber

- ◆ Überprüfen Sie die Bürste und befreien Sie sie vor dem Gebrauch von Fremdkörpern.
- ◆ Schrubben Sie nicht mit Lösungsmitteln, Säuren, Ätzmitteln, Giften, Ölen, brennbaren Flüssigkeiten oder ähnlichen Produkten.
- ◆ Halten Sie sich immer außerhalb der Reinigungsbahn auf.
- ◆ Achten Sie auf einen sicheren Stand, um in jeder Arbeitsposition das Gleichgewicht zu halten.
- ◆ Tragen Sie bei einem hohen oder unangenehmen Schallpegel immer einen Gehörschutz.
- ◆ Halten Sie das Gerät mit beiden Händen sicher fest, wenn der Motor läuft.
- ◆ Nehmen Sie bei der Aufbewahrung oder beim Transport stets den Akku aus dem Gerät.
- ◆ Verwenden Sie nur Original-Ersatzteile und Zubehör.
- ◆ Halten Sie sich niemals direkt unter dem Bereich auf, den Sie gerade reinigen.
- ◆ Verwenden Sie das Gerät niemals auf einer Leiter oder instabilen Stütze.
- ◆ Strecken Sie das Gerät nicht über die Schulterhöhe hinaus aus.

## Warnsymbole

Das Gerät ist mit folgenden Warnsymbolen versehen:



Lesen Sie vor dem Gebrauch sorgfältig die Bedienungsanleitung.



Halten Sie andere Personen fern.



Tragen Sie einen Augenschutz.



Verbrennen Sie den Akku nicht.



Lebensgefahr durch Stromschlag! Halten Sie sich mindestens 10 Meter von Überlandleitungen fern.



Empfohlen für den Gebrauch auf den meisten lackierten Oberflächen.



Nicht empfohlen für den Gebrauch auf lackierten Oberflächen.

## Zusätzliche Sicherheitsanweisungen für Akku und Ladegeräte

### Akkus

- ◆ Versuchen Sie auf keinen Fall, eine Batterie zu öffnen.
- ◆ Setzen Sie den Akku keiner Nässe aus.
- ◆ Nicht an einem Ort aufbewahren, wo die Temperatur 40 °C überschreiten kann.
- ◆ Nur bei Umgebungstemperaturen zwischen 4 °C und 40 °C aufladen.
- ◆ Laden Sie den Akku nur mit dem im Lieferumfang enthaltenen Ladegerät.
- ◆ Befolgen Sie bei der Entsorgung von Batterien die Anweisungen im Abschnitt "Umweltschutz".

### Ladegeräte

- ◆ Verwenden Sie Ihr Black & Decker Ladegerät nur zum Laden von Akkus des im Lieferumfang enthaltenen Typs. Andere Akkus könnten platzen und Sach- und Personenschäden verursachen.
- ◆ Versuchen Sie nie, nicht aufladbare Batterien zu laden.
- ◆ Lassen Sie beschädigte Leitungen sofort austauschen.
- ◆ Setzen Sie das Ladegerät niemals Nässe aus.
- ◆ Öffnen Sie das Ladegerät nicht.
- ◆ Fassen Sie nicht mit den Fingern oder irgendwelchen Gegenständen in das Ladegerät.



Das Ladegerät ist ausschließlich für den Gebrauch in geschlossenen Räumen vorgesehen.



Ausfallsicherer Trenntransformator. Die Netzspannungsversorgung ist vom Transformatorausgang elektrisch getrennt.



Das Ladegerät schaltet automatisch ab, wenn die Umgebungstemperatur zu hoch wird. Danach ist das Ladegerät außer Funktion. Das Ladegerät muß vom Netz getrennt und zur Reparatur zu einem autorisierten Servicecenter gebracht werden.



Lesen Sie vor dem Gebrauch sorgfältig die Bedienungsanleitung.

## Elektrische Sicherheit



Ihr Ladegerät ist schutzisoliert, daher ist keine Erdleitung erforderlich. Überprüfen Sie immer, ob die Netzspannung mit der Spannung auf der Datenplakette übereinstimmt.

- ◆ **Achtung!** Tauschen Sie das Ladegerät auf keinen Fall gegen einen Netzstecker aus.

- ◆ Falls das Netzkabel beschädigt ist, so ist es vom Hersteller oder einem autorisierten Black & Decker Service Center auszutauschen, um Gefahren vorzubeugen.

- ◆ Lassen Sie die Bürstenverbindung los.

## Verlängern des Bürstenkopfes (Abb. F)

Die maximale Reichweite lässt sich erzielen, wenn die Verlängerungsrohre zwischen dem Bürstenkopf (3) und dem Handgriff (2) angebracht werden.

### Anbringen eines Verlängerungsrohrs

- ◆ Richten Sie die Rille außen am Kupplungsende des Handgriffs (2) mit der Zunge innen am Kupplungsende des Verlängerungsrohrs (6) aus.
- ◆ Schieben Sie das Verlängerungsrohr auf den Handgriff.
- ◆ Schieben Sie den Ring (21) nach unten und drehen Sie ihn im Uhrzeigersinn, bis er vollständig angezogen ist.
- ◆ Richten Sie die Rille außen am Kupplungsende des Verlängerungsrohrs (6) mit der Zunge innen am Kupplungsende des Bürstenkopfes (3) aus.
- ◆ Schieben Sie den Bürstenkopf (3) auf das Verlängerungsrohr.
- ◆ Schieben Sie den Ring (22) nach unten und drehen Sie ihn im Uhrzeigersinn, bis er vollständig angezogen ist.

### Anbringen von zwei Verlängerungsrohren

- ◆ Bringen Sie ein Verlängerungsrohr wie oben beschrieben an.
- ◆ Richten Sie die Rille außen am Kupplungsende des Verlängerungsrohrs (7) mit der Zunge innen am Kupplungsende des Verlängerungsrohrs (6) aus.
- ◆ Schieben Sie das Verlängerungsrohr (7) auf das andere Verlängerungsrohr.
- ◆ Schieben Sie den Ring (22) nach unten und drehen Sie ihn im Uhrzeigersinn, bis er vollständig angezogen ist.
- ◆ Richten Sie die Rille außen am Kupplungsende des Verlängerungsrohrs (7) mit der Zunge innen am Kupplungsende des Bürstenkopfes (3) aus.
- ◆ Schieben Sie den Bürstenkopf (3) auf das Verlängerungsrohr (7).
- ◆ Schieben Sie den Ring (23) nach unten und drehen Sie ihn im Uhrzeigersinn, bis er vollständig angezogen ist.

## Gebrauch

**Achtung!** Beschleunigen Sie den Arbeitsvorgang nicht mit Gewalt. Vermeiden Sie eine Überlastung des Gerätes.

- ◆ Verwenden Sie das Gerät auf nassen oder seifenhaltigen Oberflächen.
- ◆ Verwenden Sie das Gerät für kurze Reichweiten mit einer Verlängerung.
- ◆ Verwenden Sie das Gerät für extralange Reichweiten mit zwei Verlängerungen.
- ◆ Falls das Gerät beginnt, langsam zu laufen, verringern Sie die Belastung.
- ◆ Wenn das Gerät nicht verwendet wird, lassen Sie den Akku möglichst immer am Ladegerät und das Ladegerät an der Stromversorgung angeschlossen.

## Merkmale

1. Ein-/Aus-Schalter
2. Haupthandgriff
3. Bürstenkopf
4. Bürste
5. Sicherungsclip für Bürstenkopf
6. Verlängerungsrohr (orange)
7. Verlängerungsrohr (grün)
8. Akkufach

## Abb. A

9. Weiche Bürste, 20 cm
10. Harte Bürste, 20 cm
11. Harte Bürste, 10 cm

## Abb. B

12. Ladegerät
13. Ladegerätaufnahme
14. Ladeanzeige
15. Statusanzeige

## Montage

**Achtung!** Nehmen Sie vor der Montage den Akku vom Gerät.

### Anbringen und Entfernen des Akkus (Abb. C)

- ◆ Öffnen Sie das Akku-Fach (8), indem Sie den Deckel (16) des Akku-Fachs gegen den Uhrzeigersinn drehen.
- ◆ Um den Akku (17) anzubringen, richten Sie ihn mit der Aufnahme (18) am Gerät aus. Schieben Sie den Akku in die Aufnahme und drücken Sie, bis er einrastet.
- ◆ Um den Akku zu entfernen, ziehen Sie ihn aus der Aufnahme heraus.
- ◆ Bringen Sie den Deckel des Akku-Fachs wieder an, indem Sie ihn im Uhrzeigersinn drehen.

### Anbringen der Akku-Kappe (Abb. D)

**Achtung!** Bringen Sie zum Transport und zur Aufbewahrung die Kappe (19) am Akku (17) an.

### Anbringen und Entfernen des Bürstenkopfes (Abb. E)

**Achtung!** Entfernen Sie beim Anbringen oder Abnehmen von Bürsten den Akku aus dem Gerät.

- ◆ Drücken Sie die Bürstenverbindung (20) in Richtung Bürstenkopf (3).
- ◆ Um die Bürste (4) anzubringen, drücken Sie sie in den Bürstenkopf.
- ◆ Um die Bürste zu entfernen, ziehen Sie sie aus dem Bürstenkopf heraus.

### Laden des Akkus (Abb. B)

Der Akku ist zu laden, bevor Sie das Akku-Gerät zum ersten Mal benutzen sowie wenn die Leistung des Akku-Geräts spürbar nachläßt. Wenn der Akku zum ersten Mal oder nach längerer Lagerung geladen wird, wird er nur 80% der Nennkapazität erreichen. Erst nach mehreren Lade- und Entladezyklen wird der Akku die volle Kapazität erreichen. Während des Ladens kann sich der Akku erwärmen. Dies deutet nicht auf irgendein Problem hin.

**Achtung!** Laden Sie den Akku nicht bei einer Umgebungstemperatur unter 4 °C oder über 40 °C.  
Empfohlene Ladetemperatur: zirka 24 °C.

### 8-Stunden-Ladegerät

- ◆ Um den Akku (17) zu laden, entfernen Sie ihn vom Gerät, und schieben Sie die Ladegerätaufnahme (13) auf den Akku.
- ◆ Stecken Sie das Ladegerät (12) in die Steckdose.

Der Akku ist in zirka 8 Stunden vollständig aufgeladen. Er kann jederzeit aus dem Ladegerät entfernt oder für eine unbegrenzte Zeit im angeschlossenen Ladegerät belassen werden.

### 1-Stunden-Ladegerät

- ◆ Um den Akku (17) zu laden, entfernen Sie ihn vom Gerät und stecken ihn in das Ladegerät (12). Der Akku läßt sich nur in einer Stellung in das Ladegerät einführen. Wenden Sie keine Gewalt an. Vergewissern Sie sich, daß der Akku vollständig in das Ladegerät eingeführt ist.
- ◆ Stecken Sie den Netzstecker des Ladegerätes in die Steckdose.

Überprüfen Sie, ob die rote Ladeanzeige (14) aufleuchtet. Falls stattdessen die grüne Anzeige für das Ende des Ladevorgangs (15) aufleuchtet, ist der Akku zu heiß zum Laden. Ist dies der Fall, nehmen Sie den Akku aus dem Ladegerät, lassen ihn ca. eine Stunde lang abkühlen und setzen ihn dann wieder in das Ladegerät ein. Nach dem ca. einstündigen Ladevorgang erlischt die rote Ladeanzeige und es leuchtet die grüne Anzeige für das Ende des Ladevorgangs auf. Der Akku ist nun vollständig geladen.

- ◆ Entfernen Sie den Akku vom Ladegerät.

### Ein- und Ausschalten (Abb. G)

- ◆ Zum Einschalten des Geräts stellen Sie den Ein-/Aus-Schalter (1) in die Position I.
- ◆ Zum Ausschalten des Geräts stellen Sie den Ein-/Aus-Schalter in die Position O.

### Wechsel der Betriebsart (Abb. H & I)

Das Gerät läßt sich drehbar oder feststehend einsetzen. Drehbar läßt sich der Bürstenkopf frei drehen. Feststehend wird die Drehung des Bürstenkopfs begrenzt.

Der Bürstenkopf kann in jedem Winkel innerhalb der 80°-Drehung arretiert werden.

- ◆ Ziehen Sie den Sicherungsclip (5) heraus.
- ◆ Drehen Sie den Clip um 180° auf das Entriegelungssymbol, damit sich der Kopf drehen kann.
- ◆ Drehen Sie den Clip um 180° auf das Verriegelungssymbol, damit der Kopf fest bleibt.
- ◆ Schieben Sie den Clip zurück, bis er einrastet.

### Drehbare Verwendung des Geräts

- ◆ Halten Sie das Gerät, wie in Abb. J & K dargestellt.

### Feststehende Verwendung des Geräts

- ◆ Halten Sie das Gerät, wie in Abb. L dargestellt.

### Hinweise für optimale Arbeitsergebnisse

- ◆ Verwenden Sie das Gerät drehbar, wenn Oberflächen mit Konturen sowie große Flächen mit einer Vor- und Zurückbewegung gereinigt werden sollen.
- ◆ Verwenden Sie das Gerät feststehend, wenn aggressives Schrubben und Reinigen mit einer seitlichen Bewegung durchgeführt werden soll.

### Reinigung, Wartung und Aufbewahrung

Ihr Black & Decker Gerät wurde im Hinblick auf eine lange Lebensdauer und einen möglichst geringen Wartungsaufwand entwickelt. Ein dauerhafter, einwandfreier Betrieb setzt eine regelmäßige Pflege und Reinigung voraus. Ihr Ladegerät bedarf keinerlei Wartung außer einer regelmäßigen Reinigung.

**Achtung!** Bevor Sie irgendwelche Wartungsarbeiten vornehmen, entfernen Sie den Akku vom Gerät. Ziehen Sie den Netzstecker des Ladegeräts aus der Steckdose, bevor Sie es reinigen.

### Nach dem Gebrauch und vor dem Verstauen

**Achtung!** Tragen Sie bei der Reinigung des Geräts angemessene Handschuhe und eine Schutzbrille.

- ◆ Reinigen Sie nach dem Gebrauch vorsichtig die Bürsten.
- ◆ Reinigen Sie regelmäßig das Motorgehäuse mit Hilfe eines feuchten Tuches. Verwenden Sie keine scheuernden Reinigungsmittel oder Reinigungsmittel auf Lösungsmittelbasis.
- ◆ Stellen Sie vor und nach dem Gebrauch sicher, dass alle Schalter frei von Verunreinigungen sind.

### Verstaung

Auch wenn das Gerät mehrere Monate lang nicht verwendet wird, lassen Sie es am besten am Ladegerät angeschlossen. Falls dies nicht möglich ist, gehen Sie folgendermaßen vor: Laden Sie den Akku vollständig.

- ◆ Entfernen Sie den Akku vom Gerät.
- ◆ Bewahren Sie das Gerät und den Akku an einem sicheren und trockenen Ort auf.

Die Temperatur am Aufbewahrungsort muß immer im Bereich zwischen +5 °C und +40 °C liegen. Stellen Sie den Akku auf einer ebenen Oberfläche auf.

- ◆ Bevor Sie das Gerät nach längerer Aufbewahrung wieder verwenden, laden Sie den Akku wieder vollständig auf.

## Störungsbehebung

Falls das Gerät nicht einwandfrei arbeitet, überprüfen Sie Folgendes:

Störung	Mögliche Ursache	Abhilfe
Das Gerät startet nicht.	Der Akku ist nicht richtig angebracht.	Prüfen Sie die Anbringung des Akkus.
	Der Akku ist entladen.	Bringen Sie einen (vollständig) aufgeladenen Akku an.
	Die Einschaltsperrwurde nicht betätigt.	Beachten Sie die Start-Reihenfolge.
	Die Polverbindungen sind nicht richtig angezogen.	Prüfen Sie die Verbindungen.
Der Akku wird nicht aufgeladen.	Der Akku ist nicht richtig angebracht.	Prüfen Sie die Anbringung des Akkus.

## Umweltschutz



Getrennte Entsorgung. Dieses Produkt darf nicht über den normalen Hausmüll entsorgt werden.

Sollte Ihr Black & Decker Produkt eines Tages erneuert werden müssen, oder falls Sie es nicht weiter verwenden wollen, so darf es nicht über den Hausmüll entsorgt werden. Stellen Sie dieses Produkt zur getrennten Entsorgung bereit.



Durch die getrennte Entsorgung gebrauchter Produkte und Verpackungen können die Materialien recycelt und wiederverwertet werden. Die Wiederverwertung recycelter Materialien schont die Umwelt und verringert die Nachfrage nach Rohstoffen.

Die regionalen Bestimmungen schreiben unter Umständen die getrennte Entsorgung elektrischer Produkte aus dem Haushalt an Sammelstellen oder seitens des Händlers vor, bei dem Sie das neue Produkt erworben haben.

Black & Decker nimmt Ihre ausgedienten Black & Decker Geräte gern zurück und sorgt für eine umweltfreundliche Entsorgung und Wiederverwertung. Um diesen Dienst zu nutzen, schicken Sie bitte Ihr Produkt zu einer Vertragswerkstatt. Hier wird es dann auf unsere Kosten gesammelt. Die Adresse der zuständigen Black & Decker Vertretung steht

in diesem Handbuch, darüber läßt sich die nächstgelegene Vertragswerkstatt ermitteln. Außerdem ist eine Liste der Vertragswerkstätten und aller Kundendienststellen von Black & Decker sowie der zuständigen Ansprechpartner im Internet zu finden unter: [www.2helpU.com](http://www.2helpU.com)

## Akkus



Black & Decker Akkus lassen sich viele Male wiederaufladen. Entsorgen Sie eine leere Batterie am Ende ihrer Lebensdauer auf umweltgerechte Weise:

- ◆ Entladen Sie die Batterie vollständig, und entfernen Sie sie anschließend aus dem Werkzeug.
- ◆ NiCd- und NiMH-Akkus sind wiederverwertbar. Bringen Sie sie zu einer Vertragswerkstatt oder einer Recycling-Station in Ihrer Nähe.

## Technische Daten

	GPC900	
Spannung	$V_{DC}$	18
Leerlaufdrehzahl	$\text{min}^{-1}$	150
Max. Stiellänge	m	3
Gewicht (ohne Akku)	kg	3,25

## Akku

Spannung	$V_{DC}$	18
Kapazität	Ah	1,5
Gewicht	kg	0,9

Ladegerät	8 St.	1 St.
Spannung	$V_{AC}$ 230	230
Ladezeit (zirka)	Std. 8	1
Gewicht	kg 0,4	1,2

## EG-Konformitätserklärung

Black & Decker erklärt, daß diese Produkte folgende Konformität erfüllen:

98/37/EG, 89/336/EWG, 73/23/EWG, EN 55014, EN 60335 & EN 61000

Kevin Hewitt

Director of Consumer Engineering  
 Spennymoor, County Durham DL16 6JG,  
 Vereinigtes Königreich  
 1-11-2006



## Garantie

Black & Decker vertraut auf die Qualität der eigenen Geräte und bietet dem Käufer eine außergewöhnliche Garantie.

Diese Garantiezusage versteht sich unbeschadet der gesetzlichen Gewährleistungsansprüche und schränkt diese keinesfalls ein. Sie gilt in sämtlichen Mitgliedsstaaten der Europäischen Union und der Europäischen Freihandelszone EFTA.

Tritt innerhalb von 24 Monaten ab Kaufdatum an einem Gerät von Black & Decker ein auf Material- oder Verarbeitungsfehler zurückzuführender Mangel auf, garantiert Black & Decker den Austausch defekter Teile, die Reparatur von Geräten mit üblichem Verschleiß bzw. den Austausch eines mangelhaften Geräts, ohne den Kunden dabei mehr als unbedingt nötig in Anspruch zu nehmen, allerdings vorbehaltlich folgender Ausnahmen:

- ◆ wenn das Gerät gewerblich, beruflich oder im Verleihgeschäft benutzt wurde;
- ◆ wenn das Gerät mißbräuchlich verwendet oder mit mangelnder Sorgfalt behandelt wurde;
- ◆ wenn das Gerät durch irgendwelche Fremdeinwirkung beschädigt wurde;
- ◆ wenn ein unbefugter Reparaturversuch durch anderes Personal als das einer Vertragswerkstatt oder des Black & Decker-Kundendienstes unternommen wurde.

Zur Inanspruchnahme dieser Garantie ist dem Verkäufer bzw. der Vertragswerkstatt ein Kaufnachweis vorzulegen. Der Kaufnachweis muß Kaufdatum und Gerätetyp bescheinigen. Die Adresse des zuständigen Büros von Black & Decker steht in dieser Anleitung, darüber läßt sich die nächstgelegene Vertragswerkstatt ermitteln. Außerdem ist eine Liste der Vertragswerkstätten und aller Kundendienststellen von Black & Decker sowie der zuständigen Ansprechpartner im Internet zu finden unter: **[www.2helpU.com](http://www.2helpU.com)**

Bitte besuchen Sie unsere Webseite **[www.blackanddecker.de](http://www.blackanddecker.de)**, um Ihr neues Black & Decker Produkt zu registrieren und über neue Produkte und Sonderangebote aktuell informiert zu werden. Weitere Informationen über die Marke Black & Decker und unsere Produkte finden Sie unter **[www.blackanddecker.de](http://www.blackanddecker.de)**

## Utilisation prévue

Votre brosseuse télescopique Black & Decker sans fil a été conçue pour les applications de nettoyage et brossage légers des surfaces.

Cet outil a été conçu pour une utilisation exclusivement domestique.

Votre chargeur Black & Decker a été conçu pour le chargement de batteries Black & Decker identiques à celles fournies avec cet outil.

## Consignes générales de sécurité

**Attention !** Lisez toutes les instructions. Le non-respect des instructions indiquées ci-dessous peut entraîner une électrocution, un incendie et/ou de graves blessures.

La notion d'« outil électroportatif » mentionnée par la suite se rapporte à des outils électriques raccordés au secteur (avec câble de raccordement) ou fonctionnant sur batteries (sans fil). **GARDEZ PRÉCIEUSEMENT CES CONSIGNES DE SECURITE.**

### 1. Zone de travail

#### a. Maintenez la zone de travail propre et bien éclairée.

Un lieu de travail en désordre ou mal éclairé augmente le risque d'accidents.

#### b. N'utilisez pas les outils électroportatifs dans un environnement présentant des risques d'explosion ni en présence de liquides, gaz ou poussières inflammables.

Les outils électroportatifs génèrent des étincelles risquant d'enflammer les poussières ou les vapeurs.

#### c. Tenez les enfants et autres personnes éloignés durant l'utilisation de l'outil électroportatif.

En cas d'inattention, vous risquez de perdre le contrôle sur l'outil.

### 2. Sécurité électrique

#### a. La fiche de secteur de l'outil électroportatif doit convenir à la prise de courant. Ne modifiez en aucun cas la fiche. N'utilisez pas de fiches d'adaptateur avec des outils ayant une prise de terre.

Les fiches non modifiées et les prises de courant appropriées réduisent le risque de choc électrique.

#### b. Évitez le contact physique avec des surfaces mises à la terre telles que tuyaux, radiateurs, fours et réfrigérateurs.

Il y a un risque élevé de choc électrique si votre corps est relié à la terre.

#### c. N'exposez pas l'outil électroportatif à la pluie ni à l'humidité.

La pénétration d'eau dans un outil électroportatif augmente le risque de choc électrique.

#### d. Préservez le câble d'alimentation. N'utilisez pas le câble à d'autres fins que celles prévues, notamment pour porter l'outil, l'accrocher voire le débrancher de la prise de courant. Maintenez le câble éloigné des sources de chaleur, des parties grasses, des bords tranchants ou des parties de l'outil en rotation.

Un câble endommagé ou enchevêtré augmente le risque de choc électrique.

#### e. Si vous utilisez l'outil électroportatif à l'extérieur, utilisez une rallonge homologuée pour utilisation à l'air libre.

L'utilisation d'une rallonge électrique homologuée pour les applications extérieures réduit le risque de choc électrique.

### 3. Sécurité personnelle

#### a. Restez vigilant, surveillez ce que vous faites.

Faites preuve de bon sens quand vous utilisez l'outil électroportatif. N'utilisez pas l'outil lorsque vous êtes fatigué ou après avoir consommé de l'alcool, des drogues ou avoir pris des médicaments.

Un moment d'inattention lors de l'utilisation de l'outil peut entraîner de graves blessures.

#### b. Portez des équipements de protection.

**Portez toujours des lunettes de protection.**

Le port d'équipements de protection personnelle tels que masque anti-poussières, chaussures de sécurité antidérapantes, casque ou protection auditive, selon le travail à effectuer, réduit le risque de blessures.

#### c. Évitez une mise en route accidentelle. Avant de brancher l'outil, vérifiez que l'interrupteur est sur la position arrêt.

Le transport ou le branchement d'outils électroportatifs avec l'interrupteur en position marche est une invite à l'accident.

#### d. Enlevez tout outil ou clé de réglage avant de mettre l'appareil en marche.

Une clé ou un outil se trouvant sur une partie en rotation peut causer des blessures.

#### e. Ne surestimez pas vos capacités. Conservez en permanence votre équilibre et les deux pieds à terre. Vous contrôlerez mieux l'outil dans des situations inattendues.

#### f. Portez des vêtements appropriés. Ne portez pas de vêtements amples ni de bijoux. N'approchez pas les cheveux, vêtements ou gants des parties de l'appareil en rotation.

Les vêtements amples, les bijoux ou les cheveux longs peuvent être attrapés dans les pièces en mouvement.

#### g. Si des dispositifs servant à aspirer ou à recueillir les poussières doivent être utilisés, vérifiez qu'ils sont correctement raccordés et utilisés.

L'utilisation de tels dispositifs réduit les dangers dus aux poussières.

**4. Utilisation des outils électroportatifs et précautions**

**a. Ne surchargez pas l'appareil. Utilisez l'outil électroportatif approprié pour le travail à effectuer.**

Avec l'outil électroportatif approprié, vous travaillerez mieux et avec plus de sécurité à la vitesse pour laquelle il a été conçu.

**b. N'utilisez pas un outil électroportatif dont l'interrupteur est défectueux.**

Un outil électroportatif qui ne peut plus être mis en ou hors fonctionnement est dangereux et doit être réparé.

**c. Retirez la fiche de la prise de courant avant d'effectuer des réglages sur l'appareil, de changer les accessoires ou de ranger l'outil.**

Cette mesure de précaution empêche une mise en marche par mégarde.

**d. Rangez les outils électroportatifs hors de portée des enfants. Ne laissez pas les personnes n'étant pas familiarisées avec l'outil ou n'ayant pas lu ces instructions l'utiliser.**

Les outils électroportatifs sont dangereux lorsqu'ils sont utilisés par des personnes non initiées.

**e. Prenez soin des outils électroportatifs. Vérifiez que les parties en mouvement fonctionnent correctement et qu'elles ne sont pas coincées ; vérifiez qu'il n'y a pas de pièces cassées ou endommagées susceptibles de nuire au bon fonctionnement de l'outil. S'il est endommagé, faites réparer l'outil avant de l'utiliser.**

De nombreux accidents sont dus à des outils électroportatifs mal entretenus.

**f. Maintenez les outils de coupe aiguisés et propres.**

Des outils soigneusement entretenus avec des bords tranchants bien aiguisés se coincent moins souvent et peuvent être guidés plus facilement.

**g. Utilisez les outils électroportatifs, les accessoires, les outils à monter etc. conformément à ces instructions et aux prescriptions en vigueur pour ce type d'outils. Tenez compte également des conditions de travail et du travail à effectuer.**

L'utilisation des outils électroportatifs à d'autres fins que celles prévues peut entraîner des situations dangereuses.

**5. Utilisation des outils à batterie et précautions**

**a. Assurez-vous que l'interrupteur est effectivement en position d'arrêt avant d'insérer la batterie.**

L'introduction de la batterie dans l'outil alors que son interrupteur est sur la position marche est susceptible de provoquer un accident.

**b. Ne rechargez la batterie qu'avec le chargeur spécifié par le fabricant.**

Un chargeur prévu pour un type de batterie présente un risque d'incendie s'il est utilisé avec un autre type de batterie.

**c. N'utilisez les outils électroportatifs qu'avec les batteries spécifiquement conçues pour eux.**

L'utilisation d'autres batteries peut comporter un risque de blessures ou d'incendie.

**d. Quand vous ne l'utilisez pas, rangez la batterie loin d'autres objets métalliques tels que trombones, pièces, clous, vis ou autres pouvant créer une connexion entre deux bornes.**

Court-circuiter les bornes de la batterie peut provoquer des brûlures ou un incendie.

**e. Dans des conditions inappropriées, la batterie peut rejeter du liquide. Évitez le contact. Si un contact accidentel se produit, rincez à l'eau. Si le liquide touche les yeux, consultez un médecin.**

Le liquide rejeté par la batterie peut causer une irritation cutanée ou des brûlures.

**6. Réparations**

**a. Faites réparer votre outil électroportatif uniquement par du personnel qualifié et seulement avec des pièces de rechange d'origine.**

Cela garantira le maintien de la sécurité de votre outil.

**Consignes de sécurité supplémentaires**

Le domaine d'utilisation de l'outil est décrit dans le présent manuel. N'utilisez pas d'outils ou d'accessoires de trop faible puissance pour exécuter des travaux lourds. L'utilisation d'accessoires autres que ceux recommandés dans le présent manuel peut entraîner un risque de blessure. Ne forcez pas sur l'outil. N'utilisez jamais l'outil pour effectuer des travaux autres que ceux pour lesquels il a été conçu, par exemple n'utilisez pas les scies circulaires pour scier des branches d'arbres ou des bûches.

**Attention !** L'utilisation d'accessoires ou la réalisation d'opérations autres que ceux recommandés dans le présent manuel peut entraîner un risque de blessure.

Avant d'utiliser l'outil et le câble d'alimentation, vérifiez soigneusement qu'ils ne sont pas endommagés. Vérifiez l'alignement des pièces en mouvement, leur prise et toute rupture de pièces, tout dommage des protections et des interrupteurs et toute autre condition pouvant affecter le fonctionnement de l'outil. Veillez à ce que l'outil fonctionne correctement et qu'il exécute les tâches pour lesquelles il est prévu. N'utilisez pas l'outil si une pièce est défectueuse. N'utilisez pas l'outil si l'interrupteur marche/arrêt ne fonctionne pas. Faites réparer ou remplacer toute pièce endommagée par un réparateur agréé. Ne tentez jamais de le réparer vous-même.

## Instructions de sécurité supplémentaires pour brosseuses télescopiques

- ◆ Avant usage, nettoyez la brosse et vérifiez qu'elle ne comporte pas de débris piégés.
- ◆ Ne brossez pas avec des produits solvants, acides, caustiques, toxiques, huileux, inflammables ou similaires.
- ◆ Positionnez-vous toujours hors de la trajectoire de chute du nettoyeur.
- ◆ Adoptez une position stable et gardez votre équilibre à tout moment.
- ◆ Portez des protections auditives lorsque le niveau sonore semble gênant.
- ◆ Tenez bien fermement l'outil à deux mains lorsque le moteur est en marche.
- ◆ Retirez toujours la batterie de l'outil pour le ranger ou le transporter.
- ◆ Utilisez exclusivement des pièces de rechange et des accessoires d'origine.
- ◆ Ne vous tenez jamais directement sous la zone nettoyée.
- ◆ N'utilisez jamais l'outil sur une échelle ou un support instable.
- ◆ N'étendez pas l'outil à une hauteur supérieure à celle de votre épaule.

## Symboles de prévention

Les symboles de prévention suivants se trouvent sur l'outil :



Lisez le manuel d'instruction avant utilisation.



Éloignez les personnes se trouvant à proximité.



Portez des lunettes de sécurité.



N'incinerez pas la batterie.



Risque d'électrocution. Écartez-vous d'au moins 10 m des lignes électriques en hauteur.



Usage recommandé sur la plupart des surfaces peintes.



Usage ne pas recommandé sur les surfaces peintes.

## Instructions de sécurité supplémentaires pour les batteries et chargeurs

### Batteries

- ◆ Ne tentez jamais d'ouvrir pour quelque raison que ce soit.
- ◆ N'exposez pas la batterie à l'humidité.
- ◆ Ne stockez pas dans des endroits où la température peut dépasser 40 °C.
- ◆ Chargez uniquement à température ambiante, entre 4 °C et 40 °C.
- ◆ Chargez uniquement en utilisant le chargeur fourni avec l'outil.
- ◆ Lorsque vous jetez des batteries, suivez les instructions données à la section « Protection de l'environnement ».

### Chargeurs

- ◆ Utilisez uniquement votre chargeur Black & Decker pour charger les batteries fournies avec votre outil ou de même type et modèle. D'autres batteries pourraient exploser et causer des dommages ou blessures.
- ◆ Ne tentez jamais de charger des batteries non rechargeables.
- ◆ Remplacez immédiatement les fils électriques défectueux.
- ◆ Ne mettez pas le chargeur en contact avec de l'eau.
- ◆ N'ouvrez pas le chargeur.
- ◆ Ne testez pas le chargeur.



Le chargeur a été conçu pour être utilisé uniquement à l'intérieur.



Transformateur à sécurité intrinsèque. L'alimentation secteur est électriquement séparée de la sortie du transformateur.



Le chargeur s'arrête automatiquement si la température ambiante est trop élevée. Par conséquent, le chargeur devient inutilisable. Le chargeur doit être débranché du secteur puis apporté à un centre d'entretien agréé pour réparation.



Lisez le manuel d'instruction avant utilisation.

## Sécurité électrique



Votre chargeur est doublement isolé ; par conséquent, aucun câble de masse n'est nécessaire. Vérifiez toujours que la tension du secteur correspond à la tension indiquée sur la plaque d'identification.

- ◆ **Attention !** Ne tentez jamais de remplacer le chargeur par une prise au secteur normale.
- ◆ Si le câble d'alimentation est endommagé, il doit être remplacé par le fabricant ou par un centre de réparation agréé Black & Decker afin d'éviter tout accident.

- ◆ Pour retirer la brosse, tirez-la hors de la tête de brosse.
- ◆ Relâchez le connecteur de brosse.

### Extension de la tête de brosse (fig. F)

La portée maximum est atteinte en plaçant des tubes télescopiques entre la tête de brosse (3) et la poignée (2).

### Mise en place d'un tube télescopique

- ◆ Alignez l'encoche sur la partie externe de l'extrémité de couplage de la poignée (2) avec la languette à l'intérieur de l'extrémité de couplage du tube télescopique (6).
- ◆ Poussez le tube télescopique sur la poignée.
- ◆ Faites glisser le collet (21) vers le bas et tournez dans le sens horaire pour serrer à fond.
- ◆ Alignez l'encoche sur la partie externe de l'extrémité du tube télescopique (6) avec la languette à l'intérieur de l'extrémité de couplage de la tête de brosse (3).
- ◆ Poussez la tête de brosse (3) sur le tube télescopique.
- ◆ Faites glisser le collet (22) vers le bas et tournez dans le sens horaire pour serrer à fond.

### Mise en place de deux tubes télescopiques

- ◆ Mettez en place un tube télescopique comme expliqué auparavant.
- ◆ Alignez l'encoche sur la partie externe de l'extrémité du tube télescopique (7) avec la languette à l'intérieur de l'extrémité du tube télescopique (6).
- ◆ Poussez le tube télescopique (7) sur l'autre tube télescopique.
- ◆ Faites glisser le collet (22) vers le bas et tournez dans le sens horaire pour serrer à fond.
- ◆ Alignez l'encoche sur la partie externe de l'extrémité du tube télescopique (7) avec la languette à l'intérieur de l'extrémité de couplage de la tête de brosse (3).
- ◆ Poussez la tête de brosse (3) sur le tube télescopique (7).
- ◆ Faites glisser le collet (23) vers le bas et tournez dans le sens horaire pour serrer à fond.

### Utilisation

**Attention !** Laissez l'outil fonctionner à sa propre vitesse.

Ne le surchargez pas.

- ◆ Utilisez l'outil sur des surfaces mouillées ou savonneuses.
- ◆ Utilisez l'outil avec une extension pour les applications à faible portée.
- ◆ Utilisez l'outil avec deux extensions pour les applications à longue portée.
- ◆ Si l'outil commence à fonctionner lentement, réduisez la charge.
- ◆ Si possible, conservez la batterie connectée au chargeur et le chargeur branché à chaque fois que l'outil ne fonctionne pas.

### Caractéristiques

1. Interrupteur marche/arrêt
2. Poignée principale
3. Tête de brosse
4. Brosse
5. Clip de blocage de tête de brosse
6. Tube télescopique (orange)
7. Tube télescopique (vert)
8. Logement de la batterie

### Fig. A

9. Brosse douce, 20 cm
10. Brosse dure, 20 cm
11. Brosse dure, 10 cm

### Fig. B

12. Chargeur
13. Boîtier du chargeur
14. Voyant de charge
15. Voyant de fin de charge

### Montage

**Attention !** Avant l'assemblage, enlevez la batterie.

### Installation et retrait de la batterie (fig. C)

- ◆ Ouvrez le compartiment de batterie (8) en tournant son couvercle (16) dans le sens anti-horaire.
- ◆ Pour mettre la batterie en place (17), alignez-la avec le réceptacle (18) sur l'outil. Faites glisser la batterie dans le boîtier et poussez jusqu'à ce qu'elle se mette en place avec un bruit sec.
- ◆ Pour retirer la batterie, tirez-la hors du réceptacle.
- ◆ Remplacez le couvercle de batterie en tournant dans le sens horaire.

### Montage du cache de batterie (fig. D)

**Attention !** Installez le cache (19) sur la batterie (17) pour la transporter et la ranger.

### Montage et retrait de la tête de brosse (fig. E)

**Attention !** Retirez la batterie de l'outil pour mettre en place ou retirer les brosses.

- ◆ Poussez le connecteur de brosse (20) vers la tête de brosse (3).
- ◆ Pour mettre la brosse (4) en place, poussez-la dans la tête de brosse.

## Chargement de la batterie (fig. B)

La batterie a besoin d'être chargée avant la première utilisation et à chaque fois qu'elle ne produit pas une puissance suffisante pour des travaux facilement effectués auparavant. Lorsque vous chargez la batterie pour la première fois ou suite à une inutilisation prolongée, le chargement ne se fera qu'à 80%. Après plusieurs cycles de chargement et de déchargement, la batterie atteindra sa capacité totale.

La batterie peut chauffer pendant le chargement ; cela est normal et n'indique pas de problème particulier.

**Attention !** Ne chargez pas la batterie à une température ambiante inférieure à 4 °C ou supérieure à 40 °C.

Température de chargement recommandée : environ 24 °C.

### Chargeur de 8 heures

- ◆ Pour charger la batterie (17), retirez-la de l'outil et glissez le réceptacle du chargeur (13) sur la batterie.
- ◆ Branchez le chargeur (12).

La batterie sera complètement chargée en 8 heures environ. Elle peut être enlevée à tout moment ou rester dans le chargeur connectée indéfiniment.

### Chargeur de 1 heure

- ◆ Pour charger la batterie (17), retirez-la de l'outil et insérez-la dans le chargeur (12). La batterie ne rentrera dans le chargeur que d'une seule façon. Ne forcez pas. Assurez-vous que la batterie est complètement enclenchée dans le chargeur.
- ◆ Branchez le chargeur.

Vérifiez si le voyant rouge de charge (14) s'allume. Si au lieu du voyant rouge c'est le voyant vert indicateur de fin de charge (15) qui s'allume, la batterie est trop chaude et ne peut être chargée. Si cela se produit, enlevez la batterie du chargeur, laissez-la refroidir pendant 1 heure environ et réinsérez-la.

Après environ 1 heure de charge, le voyant rouge de charge s'éteindra et le voyant vert indicateur de fin de charge s'allumera. La batterie sera alors complètement chargée.

- ◆ Enlevez-la du chargeur.

### Démarrage et arrêt (fig. G)

- ◆ Pour démarrer l'outil, mettez l'interrupteur marche/arrêt (1) sur la position I.
- ◆ Pour éteindre l'outil, mettez l'interrupteur marche/arrêt sur la position O.

### Changement de mode de fonctionnement (fig. H & I)

L'outil est réglable en mode pivot ou fixe. En mode pivot, la tête de brosse peut tourner librement. En mode fixe, la rotation de la tête de brosse est restreinte. La tête de brosse peut être fixée à tout angle selon une rotation de 80°.

- ◆ Tirez sur le clip de blocage (5).
- ◆ Pour le mode pivot, tournez le clip à 180° sur le symbole de déblocage.

- ◆ Pour le mode fixe, tournez le clip à 180° sur le symbole de blocage.
- ◆ Poussez le clip pour l'enclencher.

### Usage de l'outil en mode pivot

- ◆ Tenez l'outil comme indiqué sur la fig. J & K.

### Usage de l'outil en mode fixe

- ◆ Tenez l'outil comme indiqué sur la fig. L.

### Conseils pour une utilisation optimale

- ◆ Utilisez le mode pivot pour une surface présentant des contours et pour nettoyer de grandes surfaces avec des mouvements de va et vient.
- ◆ Utilisez le mode fixe pour un brossage agressif et un nettoyage avec des mouvements latéraux.

### Nettoyage, entretien et rangement

Votre outil Black & Decker a été conçu pour fonctionner pendant longtemps avec un minimum d'entretien.

Un fonctionnement continu satisfaisant dépend d'un nettoyage régulier et d'un entretien approprié de l'outil. Votre chargeur ne nécessite aucun entretien autre qu'un nettoyage régulier.

**Attention !** Avant de procéder à tout entretien de l'outil, retirez la batterie. Débranchez le chargeur avant de le nettoyer.

### Après usage et avant le rangement

**Attention !** Portez des gants et des lunettes adaptés pour nettoyer l'outil.

- ◆ Après utilisation, nettoyez soigneusement les brosses.
- ◆ Nettoyez régulièrement le compartiment du moteur à l'aide d'un chiffon humide. N'utilisez pas de produit abrasif ou à base de solvant.
- ◆ Assurez-vous que tous les interrupteurs sont sans débris avant et après usage.

### Stockage

Si l'outil ne doit pas être utilisé pendant plusieurs mois, l'idéal serait de laisser la batterie connectée au chargeur.

Sinon, procédez comme suit :

- ◆ Chargez complètement la batterie.
- ◆ Retirez la batterie de l'outil.
- ◆ Conservez l'outil et la batterie dans un endroit sûr et sec. La température de stockage doit toujours être entre +5 °C et +40 °C. Placez la batterie sur une surface nivelée.
- ◆ Avant d'utiliser l'outil après une inutilisation prolongée, rechargez complètement la batterie.

### Dépannage

Si l'outil ne fonctionne pas correctement, contrôlez les points suivants :

Erreur	Cause possible	Action
L'outil ne démarre pas.	Batterie mal installée.	Vérifiez l'installation de la batterie.
	Batterie déchargée.	Installez une batterie (complètement) chargée.
	Bouton de blocage non actionné.	Observez la procédure de mise en marche.
	Connexions de pôles mal serrées.	Vérifiez les connexions.
Batterie ne se charge pas.	Batterie mal installée.	Vérifiez l'installation de la batterie.

- ◆ Videz complètement la batterie, puis retirez-la de l'outil.
- ◆ Les batteries NiCd et NiMH sont recyclables. Apportez-les à votre réparateur agréé ou à un centre de recyclage local.

#### Caractéristiques techniques

GPC900	
Voltage	$V_{DC}$ 18
Vitesse à vide	$min^{-1}$ 150
Longueur télescopique max.	m 3
Poids (sans batterie)	kg 3,25

#### Batterie

Voltage	$V_{DC}$ 18
Ampérage	Ah 1,5
Poids	kg 0,9

#### Chargeur

	8 h	1 h
Tension	$V_{AC}$ 230	230
Temps de chargement approx.	h 8	1
Poids	kg 0,4	1,2

## Protection de l'environnement



Collecte séparée. Ce produit ne doit pas être jeté avec les déchets domestiques normaux.

Si vous décidez de remplacer ce produit Black & Decker, ou si vous n'en avez plus l'utilité, ne le jetez pas avec vos déchets domestiques. Rendez-le disponible pour une collecte séparée.



La collecte séparée des produits et emballages usés permet le recyclage des articles afin de les utiliser à nouveau. Le fait d'utiliser à nouveau des produits recyclés permet d'éviter la pollution environnementale et de réduire la demande de matières premières.

Les réglementations locales peuvent permettre la collecte séparée des produits électriques du foyer, dans des déchetteries municipales ou auprès du revendeur vous ayant vendu votre nouveau produit.

Black & Decker fournit un dispositif permettant de collecter et de recycler les produits Black & Decker lorsqu'ils ont atteint la fin de leur cycle de vie. Pour pouvoir profiter de ce service, veuillez retourner votre produit à un réparateur agréé qui se chargera de le collecter pour nous.

Pour connaître l'adresse du réparateur agréé le plus proche de chez vous, contactez le bureau Black & Decker à l'adresse indiquée dans ce manuel. Vous pourrez aussi trouver une liste des réparateurs agréés de Black & Decker et de plus amples détails sur notre service après-vente sur le site Internet à l'adresse suivante : [www.2helpU.com](http://www.2helpU.com)

## Packs-batteries



Les batteries Black & Decker peuvent être rechargées de nombreuses fois. À la fin de leur durée de vie technique, jetez les batteries en respectant l'environnement :

## Déclaration de conformité CE

Black & Decker déclare que ces produits sont conformes à : 98/37/CE, 89/336/CEE, 73/23/CEE, EN 55014, EN 60335 & EN 61000

Kevin Hewitt  
 Directeur Ingénierie Client  
 Spennymoor, County Durham DL16 6JG,  
 Royaume Uni  
 1-11-2006

## Garantie

Black & Decker est confiant dans la qualité de ses produits et vous offre une garantie très étendue. Ce certificat de garantie est un document supplémentaire et ne peut en aucun cas se substituer à vos droits légaux. La garantie est valable sur tout le territoire des Etats Membres de l'Union Européenne et de la Zone de Libre Echange Européenne.

Si un produit Black & Decker s'avère défectueux en raison de matériaux en mauvaises conditions, d'une erreur humaine, ou d'un manque de conformité dans les 24 mois suivant la date d'achat, Black & Decker garantit le remplacement des pièces défectueuses, la réparation des produits usés ou cassés ou remplace ces produits à la convenance du client, sauf dans les circonstances suivantes :

- ◆ Le produit a été utilisé dans un but commercial, professionnel, ou a été loué.
- ◆ Le produit a été mal utilisé ou avec négligence.
- ◆ Le produit a subi des dommages à cause d'objets étrangers, de substances ou à cause d'accidents.

- ◆ Des réparations ont été tentées par des techniciens ne faisant pas partie du service technique de Black & Decker.

Pour avoir recours à la garantie, il est nécessaire de fournir une preuve d'achat au vendeur ou à un réparateur agréé. Pour connaître l'adresse du réparateur agréé le plus proche de chez vous, contactez le bureau Black & Decker à l'adresse indiquée dans ce manuel. Vous pourrez aussi trouver une liste des réparateurs agréés de Black & Decker et de plus amples détails sur notre service après-vente sur le site Internet à l'adresse suivante : **[www.2helpU.com](http://www.2helpU.com)**

Visitez notre site Web **[www.blackanddecker.fr](http://www.blackanddecker.fr)** pour enregistrer votre nouveau produit Black & Decker et être informé des nouveaux produits et des offres spéciales. Pour plus d'informations concernant la marque Black & Decker et notre gamme de produits, consultez notre site **[www.blackanddecker.fr](http://www.blackanddecker.fr)**



## Uso previsto

La spazzola a batteria Black & Decker è stata progettata per pulizie leggere e per strofinare superfici.

L'utensile è stato progettato per un uso individuale.

Il vostro caricabatteria Black & Decker è stato progettato per caricare batterie Black & Decker del tipo fornito con questo utensile.

## Norme generiche di sicurezza

**Avvertenza:** leggere tutte le istruzioni. La mancata osservazione delle presenti istruzioni potrebbe causare scosse elettriche, incendi e/o infortuni gravi. Il termine "elettroutensile" che ricorre in tutti le avvertenze seguenti si riferisce ad utensili elettrici con o senza filo.

CONSERVARE QUESTE ISTRUZIONI.

### 1. Area di lavoro

#### a. Mantenere pulita e bene illuminata l'area di lavoro.

Il disordine e la scarsa illuminazione possono causare incidenti.

#### b. Evitare d'impiegare gli elettroutensili in ambienti esposti al rischio di esplosione, ad esempio in presenza di liquidi, gas o polveri infiammabili.

Gli elettroutensili producono scintille che possono far infiammare la polvere o i fumi.

#### c. Mantenere lontani bambini ed astanti mentre si usa l'elettroutensile.

Eventuali distrazioni possono comportare la perdita del controllo dell'utensile.

### 2. Sicurezza elettrica

#### a. La spina elettrica deve essere adatta alla presa.

**Evitare assolutamente di alterare la spina.**

**Non impiegare spine adattatrici con utensili provvisti di messa a terra.**

L'uso di spine inalterate e delle prese corrispondenti riduce il rischio di scosse elettriche.

#### b. Evitare il contatto fisico con superfici collegate a terra, come tubi, radiatori, forni e frigoriferi:

un corpo collegato a massa è esposto maggiormente al rischio di scosse elettriche.

#### c. Custodire gli elettroutensili al riparo dalla pioggia o dall'umidità.

L'eventuale infiltrazione di acqua in un elettroutensile va ad aumentare il rischio di scosse elettriche.

#### d. Non esporre il cavo a sollecitazioni. Non usare il cavo per trasportare o trainare l'utensile e non tirarlo per estrarre la spina dalla presa di corrente. Mantenere il cavo al riparo dal calore, da bordi taglienti e/o da parti in moto.

I cavi danneggiati o aggrovigliati aumentano il rischio di scosse elettriche.

#### e. Se l'elettroutensile viene adoperato all'aperto, usare esclusivamente prolunghie omologate per l'impiego all'esterno.

Un cavo adatto per uso esterno riduce il rischio di scosse elettriche.

### 3. Sicurezza delle persone

#### a. È importante concentrarsi su ciò che si sta facendo e maneggiare con giudizio l'elettroutensile.

**Non adoperare l'utensile se si è stanchi o sotto**

**l'effetto di stupefacenti, alcol o medicinali:**

un attimo di distrazione può causare gravi infortuni personali.

#### b. Indossare sempre un equipaggiamento protettivo. Indossare sempre degli occhiali di sicurezza.

Se si avrà cura d'indossare l'equipaggiamento protettivo come necessario - ad esempio una maschera antipolvere, delle calzature antiscivolo, un casco o delle otoprotezioni - si riduce il rischio di infortuni.

#### c. Evitare l'accensione involontaria dell'utensile.

**Prima d'inserire la spina nella presa, controllare che l'interruttore sia su Off.**

Per non esporsi al rischio d'incidenti, non trasportare gli elettroutensili tenendo le dita sull'interruttore oppure, se sono collegati all'alimentazione, con l'interruttore di accensione su On.

#### d. Prima di accendere un elettroutensile, togliere eventuali chiavi o attrezzi di regolazione.

Un utensile o una chiave inglese lasciati in un componente mobile dell'utensile potranno causare lesioni.

#### e. Non sporgersi. Mantenere sempre un buon equilibrio evitando posizioni malsicure.

In questo modo è possibile controllare meglio l'utensile in situazioni inaspettate.

#### f. Usare il vestiario appropriato. Evitare di indossare indumenti larghi o gioielli. Tenere capelli, vestiti e guanti lontani da pezzi in movimento.

Vestiti svolazzanti, gioielli o capelli lunghi potranno impigliarsi nei componenti in movimento.

#### g. Se gli utensili sono provvisti di attacchi per la connessione di dispositivi di aspirazione o raccolta della polvere, assicurarsi questi siano installati e utilizzati correttamente.

L'impiego dei suddetti dispositivi diminuisce i rischi correlati alle polveri.

### 4. Uso e cura degli elettroutensili

#### a. Non sovraccaricare l'utensile. Usare l'elettroutensile adatto per il lavoro da eseguire.

Utilizzando l'elettroutensile adatto si potrà lavorare meglio e con maggiore sicurezza alla potenza nominale prevista.

**b. Non utilizzare elettrodomestici con interruttori difettosi.**  
Un elettrodomestico che non può essere controllato mediante l'interruttore è pericoloso e deve essere riparato.

**c. Estrarre la spina dalla presa di corrente prima di regolare l'utensile, di sostituire degli accessori o di riparare l'utensile.**

Queste precauzioni di sicurezza riducono le possibilità che l'utensile venga messo in funzione inavvertitamente.

**d. Quando non vengono usati, gli elettrodomestici vanno custoditi fuori della portata dei bambini. Non consentire l'uso dell'apparecchio a persone inesperte o che non abbiano letto le presenti istruzioni, onde evitare pericoli.**

**e. Sottoporre gli elettrodomestici alle procedure di manutenzione del caso. Verificare che le parti mobili siano bene allineate e non s'inceppino, che non ci siano componenti rotti e/o non sussistano altre condizioni che possano compromettere il funzionamento dell'utensile. Eventuali guasti vanno riparati prima dell'uso.**

La scarsa manutenzione causa molti incidenti.

**f. Mantenere affilati e puliti gli utensili da taglio.**

Se sottoposti alla giusta manutenzione, gli utensili da taglio con taglienti affilati s'inceppano meno frequentemente e sono più facili da manovrare.

**g. Utilizzare l'elettrodomestico, gli accessori, le punte ecc. in conformità delle presenti istruzioni e secondo la specifica destinazione prevista, tenendo conto delle condizioni di lavoro e del lavoro da completare.**

L'impiego degli elettrodomestici per usi diversi da quelli consentiti può dar luogo a situazioni di pericolo.

**5. Uso e cura degli utensili a batteria**

**a. Prima di inserire la batteria, assicurarsi che l'interruttore sia su Off.**

Se la batteria viene inserita in un utensile con l'interruttore su On ci si espone al rischio d'incidenti.

**b. Ricaricare la batteria esclusivamente con il caricabatteria specificato dal fabbricante.**

Un caricabatteria adatto per un tipo di batteria può esporre al rischio d'incendio se usato con una batteria diversa.

**c. Utilizzare gli elettrodomestici solo con le batterie indicate.**  
L'uso di batterie diverse può esporre al rischio di infortuni e incendi.

**d. Quando non è in uso, la batteria va conservata lontana da oggetti metallici come graffette, monete, chiavi, chiodi, viti o altre minuterie in metallo che possono creare contatto tra i poli.**

Il cortocircuito dei poli di una batteria può causare ustioni o incendi.

**e. In condizioni di sovraccarico, le batterie possono perdere liquido: evitare di toccarlo. In caso di contatto accidentale, sciacquare con acqua. Se il liquido entra a contatto con gli occhi, rivolgersi ad un medico.**

Il liquido che fuoriesce dalla batteria può causare irritazioni o ustioni.

**6. Riparazioni**

**a. Fare riparare l'utensile esclusivamente da personale qualificato e solo impiegando pezzi di ricambio originali, onde non alterare la sicurezza dell'utensile.**

**Ulteriori istruzioni di sicurezza**

L'utilizzo previsto è quello indicato nel presente manuale.

Non forzare utensili e accessori di potenza limitata impiegandoli per lavori destinati ad utensili di maggiore potenza.

Non forzare l'utensile. L'elettrodomestico deve essere adoperato esclusivamente per l'uso a cui è destinato; ad esempio una sega circolare non deve essere adoperata per tagliare rami o tronchi.

**Attenzione!** L'uso di accessori o attrezzature diversi o l'impiego del presente elettrodomestico per scopi diversi da quelli indicati nel presente manuale comportano il rischio di infortuni.

Prima dell'uso, ispezionare accuratamente l'utensile e il cavo elettrico per rilevare eventuali danni. Controllare se ci sono parti non allineate, se i componenti mobili sono integri, se ci sono componenti rotti, danni alle protezioni o agli interruttori e qualsiasi altra condizione che possa alterare il funzionamento dell'attrezzo. Accertare che l'utensile funzioni come previsto e che venga impiegato per la destinazione originaria. Non usare l'utensile se degli elementi sono danneggiati o difettosi.

Non impiegare l'utensile se non è possibile accenderlo e spegnerlo mediante l'interruttore. Eventuali elementi difettosi o danneggiati devono essere sostituiti o riparati da un tecnico autorizzato. Non tentare mai di effettuare delle riparazioni.

**Ulteriori istruzioni di sicurezza per spazzole a batteria**

- ◆ Prima dell'uso, pulire la spazzola e controllare che non vi siano rimasti dei residui.
- ◆ Non utilizzare solventi, acidi, sostanze caustiche, veleni, oli, liquidi infiammabili o prodotti simili per pulire.
- ◆ Posizionarsi sempre al di fuori dal percorso della pulizia.
- ◆ Mantenere sempre un buon equilibrio evitando posizioni malsicure.
- ◆ Indossare otoprotezioni se il livello acustico diventa fastidioso.
- ◆ Quando il motore è acceso, tenere l'elettrodomestico saldamente con entrambe le mani.
- ◆ Rimuovere sempre la batteria dall'elettrodomestico per riparlo o trasportarlo.

- ◆ Usare esclusivamente pezzi di ricambio e accessori originali.
- ◆ Non sostare mai direttamente sotto l'area che si sta pulendo.
- ◆ Non utilizzare l'elettrodomestico su una scala o su un supporto instabile.
- ◆ Non utilizzare l'elettrodomestico sostenendolo oltre l'altezza della spalla.

## Simboli di avvertenza

I seguenti simboli di avvertenza si trovano sull'elettrotensile:



Leggere il manuale di istruzioni prima dell'uso.



Tenere gli astanti lontani dall'area di lavoro.



Indossare occhiali protettivi.



Non bruciare la batteria.



Rischio di folgorazione. Mantenersi ad almeno 10 m di distanza dalle linee elettriche aeree.



Consigliato per l'uso sulla maggior parte delle superfici verniciate.



Non consigliato per l'uso su superfici verniciate.

## Istruzioni supplementari sulla sicurezza per batterie e caricatori

### Batterie

- ◆ Non tentare mai di aprire le batterie, per nessuna ragione.
- ◆ Non esporre la batteria all'acqua.
- ◆ Non conservarle in ambienti in cui la temperatura possa superare i 40 °C.
- ◆ Caricarle solo a temperatura ambiente compresa tra 4 °C e 40 °C.
- ◆ Caricare la batteria solo usando il caricabatterie fornito con l'elettrotensile.
- ◆ Per smaltire le batterie seguire le istruzioni riportate nel capitolo "Protezione dell'ambiente".

### Caricabatterie

- ◆ Usare il caricabatterie Black & Decker soltanto per caricare le batterie fornite con l'elettrodomestico. Batterie di altro tipo possono esplodere, provocando danni a persone e cose.
- ◆ Non tentare mai di ricaricare una batteria non ricaricabile.

- ◆ Sostituire immediatamente i cavi difettosi.
- ◆ Non esporre il caricabatterie all'acqua.
- ◆ Non aprire il caricabatterie.
- ◆ Non applicare i puntali di un multimetro sul caricabatterie.



Il caricabatterie è destinato ad essere usato esclusivamente in ambienti interni.



Trasformatore isolante a prova di guasto. L'alimentazione di rete è separata elettricamente dall'uscita del trasformatore.



Il caricabatterie si spegne automaticamente se la temperatura ambiente sale eccessivamente. Come conseguenza, il caricabatterie diventerà inutilizzabile. Il caricabatterie dovrà essere scollegato dalla rete elettrica e portato presso un centro assistenza autorizzato per la riparazione.



Leggere il manuale di istruzioni prima dell'uso.

## Sicurezza elettrica



Il caricabatterie è provvisto di doppio isolamento che rende superflua la messa a terra. Controllare che la tensione di alimentazione corrisponda a quella indicata sulla targhetta con i dati caratteristici.

- ◆ **Attenzione!** Non cercare di utilizzare una normale presa di corrente al posto del caricabatterie.
- ◆ Se il cavo elettrico in dotazione risulta danneggiato, deve essere sostituito dal produttore o da un Centro di assistenza autorizzato Black & Decker, onde evitare rischi.

## Funzioni

1. Interruttore acceso/spento
2. Impugnatura principale
3. Attacco di spazzola
4. Spazzola
5. Clip di blocco per la testa della spazzola
6. Tubo di prolunga (arancione)
7. Tubo di prolunga (verde)
8. Vano per batterie

### Fig. A

9. Spazzola morbida, 20 cm
10. Spazzola dura, 20 cm
11. Spazzola dura, 10 cm

### Fig. B

12. Caricabatteria
13. Base del caricabatteria

- 14. Indicatore di carica
- 15. Indicatore fine carica

## Montaggio

**Attenzione!** Prima di montaggio, rimuovere la batteria.

### Inserimento e rimozione della batteria (fig. C)

- ◆ Aprire il vano batterie (8) ruotando il coperchio del vano (16) in senso antiorario.
- ◆ Per inserire la batteria (17), allinearla alla base (18) sull'elettrodomestico. Fare scivolare la batteria nella base fino a che non s'inserisce con uno scatto.
- ◆ Per togliere la batteria, estrarla dalla base.
- ◆ Rimontare il coperchio della batteria ruotandolo in senso orario.

### Inserimento del coperchio della batteria (fig. D)

**Attenzione!** Inserire il coperchio (19) sulla batteria (17) per trasportare e conservare l'elettrodomestico.

### Montaggio e smontaggio della testa della spazzola (fig. E)

**Attenzione!** Rimuovere la batteria dall'elettrodomestico prima di montare o togliere le spazzole.

- ◆ Spingere il connettore della spazzola (20) verso la testa della spazzola (3).
- ◆ Per inserire la spazzola (4) premerla nella relativa testa.
- ◆ Per togliere la spazzola, estrarla dalla testa.
- ◆ Sganciare il connettore della spazzola.

### Estendere la testa della spazzola (fig. F)

È possibile raggiungere la massima estensione inserendo i tubi di prolunga fra la testa della spazzola (3) e il manico (2).

### Inserimento di un tubo di prolunga

- ◆ Allineare la scanalatura sull'esterno dell'estremità di accoppiamento dell'impugnatura (2) con la linguetta presente all'interno dell'estremità di accoppiamento del tubo di prolunga (6).
- ◆ Premere il tubo di prolunga sull'impugnatura.
- ◆ Far scorrere il collare (21) verso il basso e ruotarlo in senso orario fino a serrarlo completamente.
- ◆ Allineare la scanalatura sull'esterno dell'estremità di accoppiamento del tubo di prolunga (6) con la linguetta presente all'interno dell'estremità di accoppiamento della testa della spazzola (3).
- ◆ Premere la testa della spazzola (3) sul tubo di prolunga.
- ◆ Far scorrere il collare (22) verso il basso e ruotarlo in senso orario fino a serrarlo completamente.

### Inserimento di due tubi di prolunga

- ◆ Inserire il primo tubo come descritto sopra.
- ◆ Allineare la scanalatura sull'esterno dell'estremità di accoppiamento del tubo di prolunga (7) con la linguetta presente all'interno dell'estremità di accoppiamento sul tubo di prolunga (6).
- ◆ Premere il tubo di prolunga (7) sull'altro tubo di prolunga.
- ◆ Far scorrere il collare (22) verso il basso e ruotarlo in senso orario fino a serrarlo completamente.
- ◆ Allineare la scanalatura sull'esterno dell'estremità di accoppiamento del tubo di prolunga (7) con la linguetta presente all'interno dell'estremità di accoppiamento della testa della spazzola (3).
- ◆ Premere la testa della spazzola (3) sul tubo di prolunga (7).
- ◆ Far scorrere il collare (23) verso il basso e ruotarlo in senso orario fino a serrarlo completamente.

## Uso

**Attenzione!** Lasciare che l'utensile lavori al suo ritmo, senza sovraccaricarlo.

- ◆ Usare l'elettrodomestico su superfici umide o insaponate.
- ◆ Usare l'elettrodomestico con 1 prolunga per applicazioni su superfici a breve distanza.
- ◆ Usare l'elettrodomestico con 2 prolunghe per ottenere la massima estensione.
- ◆ Se la velocità dell'elettrodomestico diminuisce, ridurre il carico.
- ◆ Se possibile, mantenere la batteria collegata al caricatore e il caricatore inserito in una presa, ogniqualvolta l'utensile non è in uso.

### Caricamento della batteria (fig. B)

È necessario caricare la batteria prima del primo utilizzo e ogniqualvolta che non eroghi la sufficiente energia per eseguire un lavoro che prima veniva eseguito con facilità. Quando si carica la batteria per la prima volta, o dopo un lungo periodo d'inattività, accetterà soltanto l'80% della sua capacità. Dopo diversi cicli di carica e scarica la batteria raggiunge la sua piena capacità. La batteria si può riscaldare durante il processo di carica; è normale e non è indicativo di nessun problema.

**Attenzione!** Non caricare la batteria ad una temperatura ambiente inferiore ai 4 °C o superiore ai 40 °C. La temperatura di carica consigliata è di circa 24 °C.

### Caricabatterie da 8 ora

- ◆ Per caricare la batteria (17), toglierla dall'elettrodomestico e collegarla al caricabatteria (13).
- ◆ Inserire la spina del caricabatteria nella presa (12).

La batteria sarà carica dopo circa 8 ore. Può essere tolta dal caricabatterie in qualunque momento o rimanervi per tempo indefinito.

### Caricabatterie da 1 ora

- ◆ Per caricare la batteria (17), rimuoverla dall'utensile ed inserirla nel caricatore (12). La batteria s'inserisce in un solo verso nel caricabatteria. Assicuratevi che la batteria sia perfettamente inserita nel caricabatteria.
- ◆ Inserite la spina del caricabatteria.

Controllare se la spia rossa della carica (14) s'illumina. Se, invece, s'illumina la spia verde di fine carica (15), significa che la batteria è troppo calda e non può essere caricata. In questo caso, togliere la batteria dal caricabatterie, farla raffreddare per circa 1 ora e poi reinserirla nel caricabatterie. Dopo circa 1 ora di carica, la spia rossa di carica si spegne e s'illumina la spia verde di fine carica. A questo punto la batteria è completamente carica.

- ◆ Togliere la batteria dal caricabatterie.

### Avviamento e spegnimento (fig. G)

- ◆ Per avviare l'utensile, posizionate l'interruttore (1) sulla posizione I.
- ◆ Per spegnere l'utensile posizionate l'interruttore sulla posizione O.

### Cambiare la modalità operativa (fig. H & I)

L'elettrodomestico può essere impostato in modalità girevole o fissa. La modalità girevole consente una libera rotazione della testa della spazzola. La modalità fissa restringe la rotazione della testa della spazzola. La testa può essere fissata su qualunque angolo inferiore a 80° di rotazione.

- ◆ Estrarre la clip di blocco (5).
- ◆ Per la modalità girevole ruotare la clip di 180° sul simbolo di sblocco.
- ◆ Per la modalità fissa ruotare la clip di 180° sul simbolo di blocco.
- ◆ Quindi innestare nuovamente la clip finché non si blocca in posizione.

### Uso dell'elettrodomestico in modalità girevole

- ◆ Sostenere l'utensile come mostrato nella fig. J & K.

### Uso dell'apparecchio in modalità fissa

- ◆ Sostenere l'utensile come mostrato nella fig. L.

### Consigli per un'ottima utilizzazione

- ◆ Usare la modalità girevole per superfici delimitate e per la pulizia di ampie aree con un movimento avanti e indietro.
- ◆ Usare la modalità fissa per strofinare energicamente e pulire con un movimento da un lato all'altro.

### Pulizia, manutenzione e conservazione

Questo elettrodomestico Black & Decker è stato progettato per funzionare a lungo con un minimo di manutenzione. Per un funzionamento sempre soddisfacente è necessario avere cura dello strumento e provvedere alla regolare pulizia.

Il caricabatteria non richiede alcun tipo di manutenzione oltre a una regolare pulizia.

**Attenzione!** Prima di eseguire qualsiasi tipo di manutenzione dell'elettrodomestico, estrarne le batterie. Scollegare il caricabatteria dalla presa elettrica prima di pulirlo.

### Dopo ogni uso e prima di riporre l'elettrodomestico:

**Attenzione!** Indossare guanti adatti e occhiali protettivi per pulire l'elettrodomestico.

- ◆ Dopo l'uso, pulire con cura le spazzole.
- ◆ Il vano del motore deve essere pulito regolarmente con un panno umido. Non usare materiali abrasivi o detergenti a base di solventi.
- ◆ Verificare che tutti gli interruttori siano liberi da eventuali corpi estranei prima e dopo l'uso.

### Stoccaggio

Quando l'elettrodomestico non viene usato per diversi mesi, si consiglia di lasciare la batteria collegata al caricatore.

Altrimenti procedere come segue:

- ◆ Caricare completamente la batteria.
- ◆ Rimuovere la batteria dall'utensile.
- ◆ Riporre l'utensile e la batteria in un luogo adatto e asciutto. La temperatura ambiente deve essere compresa tra +5 °C e +40 °C. La batteria deve essere collocata su un piano orizzontale.
- ◆ Prima di usare l'utensile dopo un lungo periodo di conservazione, ricaricare nuovamente la batteria.

### Risoluzione dei problemi

Se l'elettrodomestico non funziona correttamente, controllare quanto segue:

Avaria	Causa possibile	Azione
L'elettrodomestico non si accende.	Batteria non installata correttamente.	Verificare l'installazione della batteria.
	Batteria scarica.	Inserire una batteria (completamente) carica.
	Pulsante di bloccaggio non attivato.	Eseguire la procedura di accensione.
	Poli di collegamento non correttamente serrati.	Verificare i collegamenti.
La batteria non si carica.	Batteria non installata correttamente.	Verificare l'installazione della batteria.

### Protezione dell'ambiente



Raccolta differenziata. Questo prodotto non deve essere smaltito con i normali rifiuti domestici.

Nel caso in cui si decida di sostituire l'apparecchio oppure di disfarsene in quanto non più necessario, non dovrà essere smaltito con i normali rifiuti domestici. Smaltire il prodotto tramite raccolta differenziata.



La raccolta differenziata di prodotti e imballaggi usati, consente il riciclaggio e il riutilizzo dei materiali. Riutilizzare i materiali riciclati aiuta a prevenire l'inquinamento ambientale e riduce la richiesta di materie prime.

In base alle normative locali, i servizi per la raccolta differenziata di elettrodomestici possono essere disponibili presso i punti di raccolta municipali o presso il rivenditore, al momento dell'acquisto di un nuovo prodotto.

Black & Decker offre ai suoi clienti un servizio per la raccolta differenziata e la possibilità di riciclare i prodotti Black & Decker che hanno esaurito la loro durata in servizio. Per usufruire del servizio, è sufficiente restituire il prodotto a qualsiasi tecnico autorizzato, incaricato della raccolta per conto dell'azienda.

Per individuare il tecnico autorizzato più vicino, rivolgersi alla sede Black & Decker locale, presso il recapito indicato nel presente manuale. Altrimenti un elenco completo di tutti i tecnici autorizzati Black & Decker e i dettagli completi sui contatti e i servizi post-vendita sono disponibili sul sito Internet: [www.2helpU.com](http://www.2helpU.com)

### Batterie



Le batterie della Black & Decker si possono ricaricare più volte: al termine della loro durata in servizio, devono essere raccolte negli appositi contenitori, per garantirne lo smaltimento nel rispetto dell'ambiente.

- ◆ Quando è completamente esaurita, la batteria deve essere estratta dall'utensile.
- ◆ Le batterie NiCd e NiMH sono riciclabili e devono essere consegnate a un tecnico autorizzato o portate presso un impianto di riciclaggio di zona.

### Dati tecnici

GPC900	
Tensione	$V_{DC}$ 18
Velocità a vuoto	$min^{-1}$ 150
Lunghezza max.	m 3
Peso (senza batteria)	kg 3,25

### Batteria

Tensione	$V_{DC}$ 18
Capacità	Ah 1,5
Peso	kg 0,9

Caricabatteria	8 h	1 h
Tensione	$V_{AC}$ 230	230
Tempo approssimato di carica	h 8	1
Peso	kg 0,4	1,2

### Dichiarazione europea di conformità del macchinario

Black & Decker dichiara che i presenti prodotti sono conformi a: 98/37/CE, 89/336/CEE, 73/23/CEE, EN 55014, EN 60335 & EN 61000

Kevin Hewitt  
Direttore tecnico prodotti di consumo  
Spennymoor, County Durham DL16 6JG,  
Regno Unito  
1-11-2006

### Garanzia

Certa della qualità dei suoi prodotti, Black & Decker offre una garanzia eccezionale. Il presente certificato di garanzia è complementare ai diritti statutari e non li pregiudica in alcun modo. La garanzia è valida entro il territorio degli Stati membri dell'Unione Europea e dell'EFTA (European Free Trade Area). Se un prodotto Black & Decker risulta difettoso per qualità del materiale, della costruzione o per mancata conformità entro 24 mesi dalla data di acquisto, Black & Decker garantisce la sostituzione delle parti difettose, provvede alla riparazione dei prodotti se ragionevolmente usurati oppure alla loro sostituzione, in modo da ridurre al minimo il disagio del cliente a meno che:

- ◆ Il prodotto non sia stato destinato ad usi commerciali, professionali o al noleggio;
- ◆ Il prodotto non sia stato usato in modo improprio o scorretto;
- ◆ Il prodotto non abbia subito danni causati da oggetti o sostanze estranee oppure incidenti;
- ◆ Il prodotto non abbia subito tentativi di riparazione non effettuati da tecnici autorizzati né dall'assistenza Black & Decker.

Per attivare la garanzia è necessario esibire la prova comprovante l'acquisto al venditore o al tecnico autorizzato. Per individuare il tecnico autorizzato più vicino, rivolgersi alla sede Black & Decker locale, presso il recapito indicato nel presente manuale. Altrimenti un elenco completo di tutti i tecnici autorizzati Black & Decker e i dettagli completi sui contatti e i servizi post-vendita sono disponibili su Internet presso: [www.2helpU.com](http://www.2helpU.com)

I clienti che desiderano registrare il nuovo prodotto Black & Decker e ricevere gli aggiornamenti sui nuovi prodotti e le offerte speciali, sono invitati a visitare il sito Web ([www.blackanddecker.it](http://www.blackanddecker.it)). Ulteriori informazioni sul marchio e la gamma di prodotti Black & Decker sono disponibili all'indirizzo [www.blackanddecker.it](http://www.blackanddecker.it)

## Gebruik volgens bestemming

Uw Black & Decker snoerloze borstel met lange handgreep is ontwikkeld voor het licht schoonmaken en borstelen van oppervlakken.

Deze machine is uitsluitend bestemd voor consumentengebruik. Uw Black & Decker oplader is ontworpen voor het opladen van Black & Decker accu's van het type dat bij deze machine wordt geleverd.

## Algemene veiligheidsvoorschriften

**Waarschuwing!** Lees alle voorschriften. Wanneer de volgende voorschriften niet in acht worden genomen, kan dit een elektrische schok, brand of ernstig letsel tot gevolg hebben. Het hierna gebruikte begrip "elektrisch gereedschap" heeft betrekking op elektrische gereedschappen voor gebruik op het stroomnet (met netsnoer) of op accu (snoerloos). **BEWAAR DEZE VOORSCHRIFTEN GOED.**

### 1. Werkomgeving

- a. **Houd uw werkomgeving schoon en opgeruimd.**  
Een rommelige of onverlichte werkomgeving kan tot ongevallen leiden.
- b. **Werk met de machine niet in een omgeving met explosiegevaar, zoals in de nabijheid van brandbare vloeistoffen, gasen of stof bevinden.**  
Elektrische gereedschappen veroorzaken vonken die het stof of de dampen tot ontsteking kunnen brengen.
- c. **Houd kinderen en andere personen tijdens het gebruik van het elektrische gereedschap uit de buurt.**  
Wanneer u wordt afgeleid, kunt u de controle over het gereedschap verliezen.

### 2. Elektrische veiligheid

- a. **De netstekker van het gereedschap moet in het stopcontact passen. De stekker mag in geen geval worden veranderd. Gebruik geen adapterstekkers in combinatie met gearde gereedschappen.**  
Onveranderde stekkers en passende stopcontacten beperken het risico van een elektrische schok.
- b. **Voorkom aanraking van het lichaam met gearde oppervlakken, bijvoorbeeld buizen, verwarmingen, fornuizen en koelkasten.**  
Er bestaat een verhoogd risico voor een elektrische schok wanneer uw lichaam geaard is.
- c. **Houd het gereedschap uit de buurt van regen en vocht.**  
Het binnendringen van water in het elektrische gereedschap vergroot het risico van een elektrische schok.
- d. **Gebruik het snoer niet voor een verkeerd doel. Gebruik het snoer niet om het gereedschap te dragen of op te hangen of om de stekker uit het stopcontact te trekken. Houd het snoer uit de buurt van hitte, olie, scherpe randen of bewegende delen.**

Beschadigde of in de war geraakte snoeren vergroten het risico van een elektrische schok.

- e. **Wanneer u buitenshuis met elektrisch gereedschap werkt, dient u alleen verlengsnoeren te gebruiken die voor gebruik buitenshuis zijn goedgekeurd.**  
Het gebruik van een voor gebruik buitenshuis geschikt verlengsnoer beperkt het risico van een elektrische schok.
- ### 3. Veiligheid van personen
- a. **Wees alert, let goed op wat u doet en ga met verstand te werk bij het gebruik van elektrische gereedschappen. Gebruik elektrisch gereedschap niet wanneer u moe bent of onder invloed van drugs, alcohol of medicijnen.**  
Een moment van onoplettendheid bij het gebruik van het gereedschap kan tot ernstige verwondingen leiden.
  - b. **Draag persoonlijke beschermende uitrusting. Draag altijd een veiligheidsbril.**  
Het dragen van persoonlijke beschermende uitrusting zoals een stofmasker, slipvast werkshoenen, een veiligheidshelm of gehoorbescherming, afhankelijk van de aard en het gebruik van het elektrische gereedschap, vermindert het risico van verwondingen.
  - c. **Voorkom per ongeluk inschakelen. Controleer of de schakelaar in de uit-stand staat voordat u de stekker in het stopcontact steekt.**  
Wanneer u bij het dragen van het gereedschap uw vinger aan de schakelaar hebt of wanneer u het gereedschap ingeschakeld op de stroomvoorziening aansluit, kan dit tot ongevallen leiden.
  - d. **Verwijder instelgereedschappen of schroefsleutels voordat u het gereedschap inschakelt.**  
Een instelgereedschap of sleutel in een draaiend deel van het gereedschap kan tot verwondingen leiden.
  - e. **Reik niet te ver. Zorg er altijd voor dat u stevig staat en in evenwicht blijft.**  
Daardoor kunt u het gereedschap in onverwachte situaties beter onder controle houden.
  - f. **Draag geschikte kleding. Draag geen loshangende kleding of sieraden. Houd haren, kleding en handschoenen uit de buurt van bewegende delen.**  
Loshangende kleding, sieraden en lange haren kunnen door bewegende delen worden meegenomen.
  - g. **Wanneer stofzuigings- of stofopvangvoorzieningen kunnen worden gemonteerd, dient u zich ervan te verzekeren dat deze zijn aangesloten en juist worden gebruikt.**  
Het gebruik van deze voorzieningen beperkt het gevaar door stof.



- 4. Gebruik en onderhoud van elektrische gereedschappen**
- a. Overbelast het gereedschap niet. Gebruik voor uw toepassing het daarvoor bestemde elektrische gereedschap.**  
Met het passende elektrische gereedschap werkt u beter en veiliger binnen het aangegeven capaciteitsbereik.
- b. Gebruik geen elektrisch gereedschap waarvan de schakelaar defect is.**  
Elektrisch gereedschap dat niet meer kan worden in- of uitgeschakeld, is gevaarlijk en moet worden gerepareerd.
- c. Trek de stekker uit het stopcontact voordat u het gereedschap instelt, toebehoren wisselt of het gereedschap weglegt.**  
Deze voorzorgsmaatregel voorkomt onbedoeld starten van het gereedschap.
- d. Bewaar niet-gebruikte elektrische gereedschappen buiten bereik van kinderen. Laat het gereedschap niet gebruiken door personen die er niet mee vertrouwd zijn en deze aanwijzingen niet hebben gelezen.**  
Elektrische gereedschappen zijn gevaarlijk wanneer deze door onervaren personen worden gebruikt.
- e. Verzorg het gereedschap zorgvuldig. Controleer of bewegende delen van het gereedschap correct functioneren en niet vastklemmen en of onderdelen zodanig gebroken of beschadigd zijn dat de werking van het gereedschap nadelig wordt beïnvloed. Laat beschadigde delen repareren voordat u het gereedschap gebruikt.**  
Veel ongevallen worden veroorzaakt door slecht onderhouden elektrische gereedschappen.
- f. Houd snijdende inzetgereedschappen scherp en schoon.**  
Zorgvuldig onderhouden snijdende inzetgereedschappen met scherpe snijkanten klemmen minder snel vast en zijn gemakkelijker te geleiden.
- g. Gebruik elektrische gereedschappen, toebehoren, inzetgereedschappen en dergelijke volgens deze aanwijzingen en zoals voor dit speciale gereedschapstype voorgeschreven. Let daarbij op de arbeidsomstandigheden en de uit te voeren werkzaamheden.**  
Het gebruik van elektrische gereedschappen voor andere dan de voorziene toepassingen kan tot gevaarlijke situaties leiden.
- 5. Gebruik en onderhoud van accu-gereedschappen**
- a. Controleer of de schakelaar in de uit-stand staat voordat u de accu in het gereedschap steekt.**  
Wanneer bij het aanbrengen van een accu in elektrisch gereedschap de schakelaar in de aan-stand staat, kan dit tot ongevallen leiden.

- b. Laad accu's alleen op in opladers die door de fabrikant zijn gespecificeerd.**  
Voor een oplader die voor een bepaald type accu geschikt is, bestaat brandgevaar wanneer hij met andere accu's wordt gebruikt.
- c. Gebruik elektrische gereedschappen alleen met de daarvoor bedoelde accu's.**  
Het gebruik van andere accu's kan leiden tot verwondings- en brandgevaar.
- d. Houd accu's die niet in gebruik zijn uit de buurt van metalen voorwerpen zoals paperclips, munten, sleutels, spijkers, schroeven en andere kleine metalen voorwerpen die overbrugging van de contacten kunnen veroorzaken.**  
Kortsluiting tussen de accucontacten kan brandwonden of brand tot gevolg hebben.
- e. Bij verkeerd gebruik kan vloeistof uit de accu lekken. Voorkom contact. Spoel in geval van onvoorzien contact met water af. Wanneer de vloeistof in de ogen komt, dient u bovendien een arts te raadplegen.**  
Uit de accu gelekte vloeistof kan huidirritaties of brandwonden veroorzaken.
- 6. Service**
- a. Laat het gereedschap alleen repareren door gekwalificeerd en vakkundig personeel en alleen met originele vervangingsonderdelen.**  
Daarmee wordt de veiligheid van het gereedschap gewaarborgd.

### Aanvullende veiligheidsinstructies

Het gebruik volgens bestemming is beschreven in deze handleiding. Gebruik geen te lichte machine of hulpstukken voor te zwaar werk. De machine werkt beter en veiliger indien u deze gebruikt voor het beoogde doel. Overbelast de machine niet. Gebruik de machine niet voor doeleinden waarvoor zij niet bestemd is; gebruik een cirkelzaag bijvoorbeeld niet voor het zagen van boomstronken.

**Waarschuwing!** Gebruik ter voorkoming van lichamelijk letsel uitsluitend de in deze gebruiksaanwijzing aanbevolen accessoires en hulpstukken. Gebruik de machine uitsluitend volgens bestemming.

Controleer de machine voor gebruik op schade. Controleer of alle bewegende delen correct gemonteerd zijn, of er geen onderdelen gebroken zijn, of er geen beschermkappen en schakelaars beschadigd zijn en of er geen andere gebreken zijn die invloed op de werking van de machine zouden kunnen hebben. Vergewis u er van dat de machine correct werkt. Gebruik de machine niet als enig onderdeel defect is. Gebruik de machine niet als de aan/uit-schakelaar niet werkt.

Defecte onderdelen dienen door een erkend servicecentrum te worden gerepareerd of vervangen. Probeer nooit om het apparaat zelf te repareren.

## Aanvullende veiligheidsvoorschriften voor borstels met lange handgreep

- ◆ Reinig en inspecteer de borstel voor gebruik op achtergebleven vuil.
- ◆ Borstel niet met oplosmiddelen, zuren, loog, gif, olie, brandbare vloeistoffen of gelijke producten.
- ◆ Ga altijd buiten het bereik van de schoonmaakwerkzaamheden staan.
- ◆ Zorg altijd dat u stevig staat en in evenwicht blijft.
- ◆ Draag altijd gehoorbescherming als het geluidsniveau onaangenaam hoog is.
- ◆ Houd het apparaat stevig met beide handen vast wanneer de motor loopt.
- ◆ Verwijder altijd de accu van het apparaat wanneer het apparaat wordt opgeborgen of vervoerd.
- ◆ Gebruik uitsluitend originele reserveonderdelen en accessoires.
- ◆ Sta nooit direct onder het gebied van de schoonmaakwerkzaamheden.
- ◆ Gebruik het apparaat nooit op een ladder of onstabiele ondersteuning.
- ◆ Verleng het apparaat niet boven schouderhoogte.

## Pictogrammen

Het apparaat is voorzien van de volgende pictogrammen:



Lees voor gebruik de gebruiksaanwijzing.



Houd omstanders uit de buurt.



Draag oogbescherming.



Verbrand de accu nooit.



Gevaar voor elektrocutie. Blijf tenminste 10 m uit de buurt van overhangende kabels.



Aanbevolen voor gebruik op de meeste geschilderde oppervlakken.



Niet aanbevolen voor gebruik op geschilderde oppervlakken.

## Aanvullende veiligheidsvoorschriften voor accu's en opladers

### Accu's

- ◆ Probeer nooit een accu te openen.
- ◆ Stel de accu niet aan water bloot.
- ◆ Bewaar accu's niet op plaatsen waar de temperatuur hoger kan worden dan 40 °C.
- ◆ Laad accu's uitsluitend op bij een omgevingstemperatuur tussen 4 °C en 40 °C.
- ◆ Laad accu's uitsluitend op met behulp van de meegeleverde oplader.
- ◆ Volg bij het weggooiën van batterijen de instructies in de paragraaf "Milieu" op.

### Opladers

- ◆ Gebruik uw Black & Decker oplader uitsluitend voor het opladen van accu's van het meegeleverde type. Andere accu's kunnen scheuren en zo letsel en materiële schade veroorzaken.
- ◆ Probeer nooit niet-oplaadbare batterijen op te laden.
- ◆ Laat een defect netsnoer onmiddellijk vervangen.
- ◆ Stel de oplader niet aan water bloot.
- ◆ Open de oplader niet.
- ◆ Doorboor de oplader niet.



De oplader is uitsluitend bedoeld voor gebruik binnenshuis.



Storingbestendige scheidingstransformator. De netspanning is elektrisch gescheiden van de uitgangsspanning van de transformator.



De oplader sluit automatisch af als de omgevingstemperatuur te hoog wordt. Dit stelt de oplader buiten werking. Koppel de oplader los van de netspanning en breng hem voor reparatie naar een erkend servicecentrum.



Lees voor gebruik de gebruiksaanwijzing.

## Elektrische veiligheid



Uw oplader is dubbel geïsoleerd; een aardaansluiting is daarom niet noodzakelijk. Controleer altijd of de netspanning overeenkomt met het voltage op het typeplaatje.

- ◆ **Waarschuwing!** Vervang de oplader nooit door een netstekker.
- ◆ Indien het netsnoer is beschadigd, dient het ter voorkoming van gevaren te worden vervangen door de fabrikant of een erkend servicecentrum.

## Onderdelen

1. Aan/uit-schakelaar
2. Hoofdhandgreep
3. Borstelkop
4. Borstel
5. Vergrendelingsclip borstelkop
6. Verlengbuis (oranje)
7. Verlengbuis (groen)
8. Accuvak

## Fig. A

9. Zachte borstel, 20 cm
10. Harde borstel, 20 cm
11. Harde borstel, 10 cm

## Fig. B

12. Oplader
13. Opladerhouder
14. Opladindicator
15. Indicator einde oplaadtijd

## Assemblage

**Waarschuwing!** Neem voor de montage de accu van het apparaat.

### Aanbrengen en verwijderen van de accu (fig. C)

- ◆ Open het accuvak (8) door het accudeksel (16) linksom te draaien.
- ◆ Om de accu(17) aan te brengen, houdt u hem voor de houder (18) in de apparaat. Schuif de accu in de houder en duw deze aan totdat hij vastklikt.
- ◆ Om de accu te verwijderen, trekt u de accu uit de houder.
- ◆ Breng het accudeksel weer aan door hem rechtsom te draaien.

### Aanbrengen van de accukap (fig. D)

**Waarschuwing!** Plaats voor transport en opslag de accukap (19) op de accu (17).

### Aanbrengen en verwijderen van de borstelkop (fig. E)

**Waarschuwing!** Neem de accu van het apparaat als u borstels aanbrengt of verwijderd.

- ◆ Duw de borstelconnector (20) in de richting van de borstelkop (3).
- ◆ Om de borstel (4) aan te brengen, duwt u hem in de borstelkop.
- ◆ Om de borstel te verwijderen, trekt u de borstel uit de borstelkop.
- ◆ Laat de borstelconnector los.

## De borstelkop verlengen (fig. F)

Het maximale bereik kan worden bereikt door de verlengbuizen tussen de borstelkop (3) en de handgreep (2) aan te brengen.

### Aanbrengen van één verlengbuis

- ◆ Breng de groef aan de buitenzijde van de koppeling van de handgreep (2) in lijn met de tong aan de binnenzijde van de koppeling van de verlengbuis (6).
- ◆ Duw de verlengbuis in de handgreep.
- ◆ Schuif de kraag (21) omlaag en draai hem rechtsom totdat hij volledig is vastgedraaid.
- ◆ Breng de groef aan de buitenzijde van de koppeling van de verlengingsbuis (6) in lijn met de tong aan de binnenzijde van de koppeling van de borstelkop (3).
- ◆ Duw de borstelkop (3) op de verlengingsbuis.
- ◆ Schuif de kraag (22) omlaag en draai hem rechtsom totdat hij volledig is vastgedraaid.

### Aanbrengen van twee verlengbuizen

- ◆ Breng één verlengbuis aan zoals hierboven beschreven.
- ◆ Breng de groef aan de buitenzijde van de koppeling van de verlengbuis (7) in lijn met de tong aan de binnenzijde van de koppeling van de verlengbuis (6).
- ◆ Duw de verlengbuis (7) op de andere verlengbuis.
- ◆ Schuif de kraag (22) omlaag en draai hem rechtsom totdat hij volledig is vastgedraaid.
- ◆ Breng de groef aan de buitenzijde van de koppeling van de verlengingsbuis (7) in lijn met de tong aan de binnenzijde van de koppeling van de borstelkop (3).
- ◆ Duw de borstelkop (3) op de verlengingsbuis (7).
- ◆ Schuif de kraag (23) omlaag en draai hem rechtsom totdat hij volledig is vastgedraaid.

## Gebruik

**Waarschuwing!** Laat de machine op haar eigen tempo werken. Niet overbelasten.

- ◆ Gebruik het apparaat op natte en zeephoudende oppervlakken.
- ◆ Gebruik het apparaat met één verlengbuis voor toepassingen met kort bereik.
- ◆ Gebruik het apparaat met twee verlengbuizen voor toepassingen met lang bereik.
- ◆ Verminder de belasting als het apparaat langzamer begint te draaien.
- ◆ Houd indien mogelijk de accu op de oplader aangesloten en de oplader in het stopcontact zolang het apparaat niet wordt gebruikt.

## Opladen van de accu (fig. B)

De accu moet worden opgeladen voor het eerste gebruik alsmede zodra hij niet meer genoeg energie levert voor werkzaamheden die eerder moeiteloos konden worden verricht. Als u de accu voor de eerste keer of na langdurige opslag oplaadt, zal deze slechts voor ca. 80% worden opgeladen. Na een aantal laad- en ontlad-cycli wordt de accu echter compleet opgeladen. Tijdens het opladen kan de accu warm aanvoelen. Dit is normaal en duidt niet op een defect.

**Waarschuwing!** Laad de accu niet op bij omgevingstemperaturen onder 4 °C of boven 40 °C. Aanbevolen oplaadtemperatuur: ca. 24 °C.

### 8-uurs oplader

- ◆ Om de accu (17) op te laden, haalt u deze uit de machine en schuift u de opladerhouder (13) op de accu.
- ◆ Steek de stekker van de oplader (12) in het stopcontact.

De accu is volledig opgeladen na ongeveer 8 uur. De accu kan elk moment worden uitgenomen of voor onbepaalde tijd in de aangesloten oplader worden achtergelaten.

### 1-uurs oplader

- ◆ Om de accu (17) op te laden, haalt u deze uit de machine en steekt hem in de oplader (12). De accu past slechts op één manier in de oplader. Niet forceren. Verzeker u ervan dat de accu volledig in de oplader is geplaatst.
- ◆ Steek de stekker van de oplader in het stopcontact.

Controleer of de rode oplaadindicator (14) brandt. Als de groene indicator einde oplaadtijd (15) brandt, is de accu te heet en kan deze niet worden opgeladen. Indien dit gebeurt, haalt u de accu uit de oplader en laat hem ongeveer 1 uur afkoelen voordat u de accu terugplaatst.

Na ongeveer 1 uur opladen dooft de rode oplaadindicator en gaat de groene indicator einde oplaadtijd branden. De accu is nu volledig opgeladen.

- ◆ Verwijder de accu uit de oplader.

## Aan- en uitschakelen (fig. G)

- ◆ Om de machine aan te schakelen, zet u de aan/uitschakelaar (1) in positie I.
- ◆ Om de machine uit te schakelen, zet u de aan/uitschakelaar in positie O.

## Veranderen van de werkmodus (fig. H & I)

Het apparaat kan in draaimodus of vaste modus worden gezet. De draaimodus maakt een vrije rotatie van de borstelkop mogelijk. De vaste modus beperkt de rotatie van de borstelkop. De borstelkop kan vast worden gezet op elke hoek binnen 80° van rotatie.

- ◆ Trek de vergrendelingsclip (5) naar buiten.
- ◆ Voor de draaimodus draait u de clip 180° naar het ontgrendelingsymbool.

- ◆ Voor de vaste modus draait u de clip 180° naar het vergrendelingsymbool.
- ◆ Duw de clip terug tot deze op de plaats vergrendelt.

## Gebruiken van het apparaat in draaimodus

- ◆ Houd het apparaat vast zoals afgebeeld in fig. J & K.

## Gebruiken van het apparaat in vaste modus

- ◆ Houd het apparaat vast zoals afgebeeld in fig. L.

## Tips voor optimaal gebruik

- ◆ Gebruik de draaimodus voor oppervlakken met contouren en het schoonmaken van grote ruimten met een heen-en-weerbeweging.
- ◆ Gebruik de vaste modus voor het grondig borstelen en schoonmaken met een zijwaardse beweging.

## Reiniging, onderhoud en opslag

Uw Black & Decker apparaat is ontworpen om gedurende langere periode te functioneren met een minimum aan onderhoud. Voortdurend tevreden gebruik is afhankelijk van correct onderhoud en regelmatig schoonmaken. Uw oplader behoeft geen ander onderhoud dan een regelmatige reiniging.

**Waarschuwing!** Verwijder de accu van het apparaat alvorens onderhoudswerkzaamheden uit te voeren. Koppel voor het reinigen van de oplader de netstekker los van het lichtnet.

## Na gebruik en voor opslag

**Waarschuwing!** Draag geschikte handschoenen en oogbescherming bij het schoonmaken van het apparaat.

- ◆ Reinig de borstels na gebruik zorgvuldig.
- ◆ Reinig regelmatig de behuizing van de motor met een vochtige doek. Gebruik geen schuur- of oplosmiddel.
- ◆ Zorg voor en na het gebruik dat alle schakelaars vrij zijn van vuil.

## Berging

Laat bij voorkeur de accu op de oplader aangesloten als het apparaat een aantal maanden niet wordt gebruikt.

Ga anders als volgt te werk:

- ◆ Laad de accu volledig op.
- ◆ Verwijder de accu uit het apparaat.
- ◆ Berg het apparaat en accu op een veilige en droge plaats op. De temperatuur in de opbergruimte dient altijd tussen +5 °C en +40 °C te blijven. Plaats de accu op een egaal oppervlak.
- ◆ Laad de accu weer volledig op voordat u het apparaat na langere periode van berging gaat gebruiken.

## Storingen verhelpen

Controleer wanneer het apparaat niet goed werkt het volgende:

Storing	Mogelijke oorzaak	Maatregel
Apparaat start niet.	Accu niet goed geïnstalleerd.	Controleer de installatie van de accu.
	Accu ontladen.	Plaats een (volledig) opgeladen accu.
	Ontgrendelingsknop niet bediend.	Neem de startprocedure in acht.
	Verbindingsdelen niet goed bevestigd.	Controleer de verbindingen.
Accu laadt niet op.	Accu niet goed geïnstalleerd.	Controleer de installatie van de accu.

## Technische gegevens

GPC900	
Spanning	$V_{DC}$ 18
Onbelast toerental	$\text{min}^{-1}$ 150
Maximale lengte handgreep	m 3
Gewicht (zonder accu)	kg 3,25

## Accu

Spanning	$V_{DC}$ 18
Capaciteit	Ah 1,5
Gewicht	kg 0,9

Oplader	8 uur	1 uur
Spanning	$V_{AC}$ 230	230
Gemiddelde oplaadtijd	h 8	1
Gewicht	kg 0,4	1,2

## Milieu



Gescheiden inzameling. Dit product mag niet met het gewone huishoudelijke afval worden weggegooid.

Wanneer uw oude Black & Deckerproduct aan vervanging toe is of het u niet langer van dienst kan zijn, gooi het dan niet bij het huishoudelijk afval. Zorg ervoor dat het product gescheiden kan worden ingezameld.



Door gebruikte producten en verpakkingen gescheiden in te zamelen, worden de materialen gerecycled en opnieuw gebruikt. Hergebruik van gerecyclede materialen voorkomt milieuvervuiling en vermindert de vraag naar grondstoffen.

Inzamelpunten voor gescheiden inzameling van elektrische huishoudproducten bij gemeentelijke vuilnisbergen of bij de verkoper waar u een nieuw product koopt, kunnen aan plaatselijke voorschriften gebonden zijn.

Black & Decker biedt de mogelijkheid tot inzamelen en recyclen van afgedankte Black & Decker producten.

Om gebruik van deze service te maken, dient u het product aan een van onze servicecentra te sturen, die voor ons de inzameling verzorgen.

U kunt het adres van het dichtstbijzijnde servicecentrum opvragen via de adressen op de achterzijde van deze handleiding. U kunt ook een lijst van onze servicecentra en meer informatie m.b.t. onze klantenservice vinden op het volgende Internet-adres: [www.2helpU.com](http://www.2helpU.com)

## Accu's



Black & Decker accu's kunnen vele malen opnieuw worden opgeladen. Versleten accu's dienen op milieubewuste wijze te worden verwijderd:

- ◆ Gebruik de energie van de accu helemaal op en verwijder hem dan van de machine.
- ◆ NiCd- en NiMH-accu's zijn te recyclen. Breng ze naar een servicecentrum of naar een plaatselijk verwerkingscentrum voor klein chemisch afval.

## EG-conformiteitsverklaring

Black & Decker verklaart dat deze producten in overeenstemming zijn met:

98/37/EG, 89/336/EEG, 73/23/EEG, EN 55014, EN 60335 & EN 61000

Kevin Hewitt

Director of Consumer Engineering  
Spennymoor, County Durham DL16 6JG,  
Verenigd Koninkrijk  
1-11-2006

## Garantie

Black & Decker heeft vertrouwen in zijn producten en biedt een uitstekende garantie. Deze garantiebepalingen vormen een aanvulling op uw wettelijke rechten en beperken deze niet. De garantie geldt in de lidstaten van de Europese Unie en de Europese Vrijhandelsassociatie.

Mocht uw Black & Decker product binnen 24 maanden na datum van aankoop defect raken tengevolge van materiaal- of constructiefouten, dan garanderen wij de kosteloze vervanging van defecte onderdelen, de reparatie van het product of de vervanging van het product, tenzij:

- ◆ Het product is gebruikt voor handelsdoeleinden, professionele toepassingen of verhuurdoeleinden;
- ◆ Het product onoordeelkundig is gebruikt;
- ◆ Het product is beschadigd door invloeden van buitenaf of door een ongeval;
- ◆ Reparaties zijn uitgevoerd door anderen dan onze servicecentra of Black & Decker personeel.

Om een beroep op de garantie te doen, dient u een aankoopbewijs te overhandigen aan de verkoper of een van onze servicecentra. U kunt het adres van het dichtstbijzijnde servicecentrum opvragen via de adressen op de achterzijde van deze handleiding.

U kunt ook een lijst van onze servicecentra en meer informatie m.b.t. onze klantenservice vinden op het volgende Internet-adres: **[www.2helpU.com](http://www.2helpU.com)**

Meld u aan op onze website **[www.blackanddecker.nl](http://www.blackanddecker.nl)** om te worden geïnformeerd over nieuwe producten en speciale aanbiedingen. Verdere informatie over het merk Black & Decker en onze producten vindt u op **[www.blackanddecker.nl](http://www.blackanddecker.nl)**

## Finalidad

El estropajo telescópico sin cable Black & Decker se ha diseñado para la limpieza ligera y el fregado de superficies. Esta herramienta está pensada únicamente para uso doméstico. Su cargador Black & Decker está diseñado para cargar baterías Black & Decker del tipo suministrado con la herramienta.

## Normas de seguridad generales

**Atención!** Lea íntegramente estas instrucciones. En caso de no atenderse a las instrucciones de seguridad siguientes, ello puede dar lugar a una descarga eléctrica, incendio o lesión grave. El término "herramienta eléctrica" empleado en las advertencias indicadas a continuación se refiere a la herramienta eléctrica con alimentación de red (con cable) o alimentada por batería (sin cable).  
**GUARDE ESTAS INSTRUCCIONES EN UN LUGAR SEGURO.**

### 1. Área de trabajo

- a. **Mantenga limpia y bien iluminada el área de trabajo.**  
El desorden y una iluminación deficiente en las áreas de trabajo pueden provocar accidentes.
- b. **No utilice la herramienta eléctrica en un entorno con peligro de explosión, en el que se encuentren combustibles líquidos, gases o material en polvo.**  
Las herramientas eléctricas producen chispas que pueden llegar a inflamar los materiales en polvo o vapores.
- c. **Mantenga alejados a los niños y otras personas del área de trabajo al emplear la herramienta eléctrica.**  
Una distracción le puede hacer perder el control sobre la herramienta.

### 2. Seguridad eléctrica

- a. **El enchufe de la herramienta eléctrica debe corresponder a la toma de corriente utilizada. No es admisible modificar el enchufe en forma alguna. No emplee adaptadores en herramientas eléctricas dotadas con una toma de tierra.**  
Los enchufes sin modificar adecuados a las respectivas tomas de corriente reducen el riesgo de una descarga eléctrica.
- b. **Evite que su cuerpo toque partes conectadas a tierra como tuberías, radiadores, cocinas y refrigeradores.**  
El riesgo a quedar expuesto a una sacudida eléctrica es mayor si su cuerpo tiene contacto con tierra.
- c. **No exponga las herramientas eléctricas a la lluvia y evite que penetren líquidos en su interior.**  
Existe el peligro de recibir una descarga eléctrica si penetran ciertos líquidos en la herramienta eléctrica.
- d. **Cuide el cable de alimentación. No utilice el cable de red para transportar o colgar la herramienta eléctrica, ni tire de él para sacar el enchufe de la toma de corriente.**

**Mantenga el cable de red alejado del calor, aceite, bordes afilados o piezas móviles.**

Los cables de red dañados o enredados pueden provocar una descarga eléctrica.

- e. **Al trabajar con la herramienta eléctrica en la intemperie utilice solamente cables de prolongación homologados para su uso en exteriores.**

La utilización de un cable de prolongación adecuado para su uso en exteriores reduce el riesgo de una descarga eléctrica.

### 3. Seguridad personal

- a. **Esté atento a lo que hace y emplee la herramienta eléctrica con prudencia. No utilice la herramienta eléctrica si estuviese cansado, ni tampoco después de haber consumido alcohol, drogas o medicamentos.**  
El no estar atento durante el uso de una herramienta eléctrica puede provocarle serias lesiones.
- b. **Utilice un equipo de protección y en todo caso unas gafas de protección.**  
El riesgo a lesionarse se reduce considerablemente si, dependiendo del tipo y la aplicación de la herramienta eléctrica empleada, se utiliza un equipo de protección adecuado como una mascarilla antipolvo, zapatos de seguridad con suela antideslizante, casco, o protectores auditivos.
- c. **Evite una puesta en marcha accidental de la herramienta. Compruebe que el interruptor esté en la posición de apagado antes de enchufar la herramienta.**  
Transportar la herramienta eléctrica con el dedo sobre el interruptor o enchufarla con el interruptor encendido puede provocar accidentes.
- d. **Retire las herramientas de ajuste o llaves fijas antes de conectar la herramienta eléctrica.**  
Una herramienta o llave colocada en una pieza giratoria puede producir lesiones al ponerse a funcionar.
- e. **Sea precavido. Mantenga un apoyo firme sobre el suelo y conserve el equilibrio en todo momento.**  
Ello le permitirá controlar mejor la herramienta eléctrica en caso de presentarse una situación inesperada.
- f. **Lleve puesta una vestimenta de trabajo adecuada. No lleve vestidos anchos ni joyas. Mantenga su pelo, vestimenta y guantes alejados de las piezas móviles.**  
La vestimenta suelta, las joyas y el pelo largo se pueden enganchar con las piezas en movimiento.
- g. **Siempre que sea posible utilizar unos equipos de aspiración o captación de polvo, asegúrese que éstos estén montados y que sean utilizados correctamente.**  
El empleo de estos equipos reduce los riesgos derivados del polvo.

- 4. Uso y cuidado de herramientas eléctricas**
- a. No sobrecargue la herramienta eléctrica. Use la herramienta eléctrica prevista para el trabajo a realizar.**  
Con la herramienta eléctrica adecuada podrá trabajar mejor y más seguro dentro del margen de potencia indicado.
- b. No utilice herramientas eléctricas con un interruptor defectuoso.**  
Las herramientas eléctricas que no se puedan conectar o desconectar son peligrosas y deben hacerse reparar.
- c. Saque el enchufe de la red antes de realizar un ajuste en la herramienta eléctrica, cambiar de accesorio o al guardar la herramienta.**  
Esta medida preventiva reduce el riesgo de conectar accidentalmente la herramienta eléctrica.
- d. Guarde las herramientas eléctricas fuera del alcance de los niños y de las personas que no estén familiarizadas con su uso.**  
Las herramientas eléctricas utilizadas por personas inexpertas son peligrosas
- e. Cuide sus herramientas eléctricas con esmero. Controle si funcionan correctamente, sin atascarse, las partes móviles de la herramienta eléctrica, y si existen partes rotas o deterioradas que pudieran afectar al funcionamiento de la herramienta. Si la herramienta eléctrica estuviese defectuosa haga que la reparen antes de volver a utilizarla.**  
Muchos de los accidentes se deben a herramientas eléctricas con un mantenimiento deficiente.
- f. Mantenga las herramientas de corte limpias y afiladas.**  
Las herramientas de corte mantenidas correctamente se dejan guiar y controlar mejor.
- g. Utilice herramientas eléctricas, accesorios, útiles de herramienta, etc. de acuerdo con estas instrucciones y en la manera indicada específicamente para esta herramienta eléctrica. Considere en ello las condiciones de trabajo y la tarea a realizar.**  
El uso de herramientas eléctricas para trabajos diferentes de aquellos para los que han sido concebidas puede resultar peligroso.
- 5. Uso y cuidado de herramientas con batería**
- a. Cerciórese de que el aparato esté desconectado antes introducir la batería.**  
No introduzca la batería en la herramienta con el interruptor encendido ya que puede provocar accidentes.
- b. Recargue la batería únicamente con el cargador especificado por el fabricante.**  
Un cargador adecuado para un tipo de batería puede provocar un incendio si se utiliza con otra batería.
- c. Use las herramientas únicamente con las baterías específicamente designadas.**  
El uso de cualquier otra batería puede provocar lesiones o un incendio.

- d. Cuando no utilice la batería, manténgala alejada de objetos metálicos como clips, monedas, llaves, clavos, tornillos, o cualquier otro objeto metálico pequeño que pueda dar lugar a una conexión entre los bornes.**  
El cortocircuito entre los bornes de la batería puede ocasionar quemaduras o un incendio.
- e. Un mal uso puede dar lugar a que la batería pierda líquido; evite cualquier contacto con el líquido. Si accidentalmente entra en contacto con el líquido, enjuáguese con agua. Si le entra líquido en los ojos, busque rápidamente asistencia médica.**  
El líquido que pierde la batería puede ocasionar irritación o quemaduras.
- 6. Servicio técnico**
- a. Haga reparar su herramienta eléctrica sólo por personal técnico autorizado que emplee exclusivamente piezas de repuesto originales.**  
Solamente así se garantiza la seguridad de la herramienta eléctrica.

### Instrucciones de seguridad adicionales

En este manual se explica el uso previsto de la herramienta. No utilice herramientas o dispositivos acoplables de potencia demasiado débil para ejecutar trabajos pesados. La herramienta funcionará mejor y con mayor seguridad al ser utilizada de acuerdo con sus características técnicas. No fuerce la herramienta. Utilice las herramientas para su uso previsto únicamente; por ejemplo, no use las sierras circulares para cortar ramas o troncos de árbol.

**¡Atención!** El uso de otros accesorios, adaptadores, o la propia utilización de la herramienta en cualquier forma diferente de las recomendadas en este manual de instrucciones puede constituir un riesgo de lesiones a las personas.

Antes de usarla, compruebe cuidadosamente que la herramienta y el cable de corriente no presenten desperfectos. Compruebe que no existan piezas móviles mal alineadas o atascadas, piezas quebradas, protectores o interruptores dañados e interruptores o cualquier otro condicionante que pueda afectar al funcionamiento correcto del aparato. Asegúrese de que la herramienta puede funcionar adecuadamente y cumplir con el cometido para el que ha sido diseñada. No use la herramienta si hay alguna pieza defectuosa o averiada. No utilice la herramienta si no es posible apagar y encender el interruptor. Encargue al servicio técnico autorizado que repare o sustituya las piezas defectuosas o averiadas. Jamás intente efectuar las reparaciones usted mismo.



## Instrucciones de seguridad adicionales para estropajos telescópicos

- ◆ Antes del uso, limpie e inspeccione el cepillo para comprobar si hay residuos atrapados.
- ◆ No fregue con disolventes, ácidos, productos cáusticos, venenos, aceites, líquidos inflamables o productos similares.
- ◆ Sitúese siempre fuera de la trayectoria de limpieza.
- ◆ Evite adoptar una posición que fatigue su cuerpo; mantenga un apoyo firme sobre el suelo y conserve el equilibrio en todo momento.
- ◆ Lleve protectores para los oídos cuando el ruido pueda resultar molesto.
- ◆ Sujete la herramienta firmemente con ambas manos cuando el motor esté en marcha.
- ◆ Retire siempre la batería de la herramienta cuando almacene o transporte ésta.
- ◆ Utilice únicamente accesorios y piezas de repuesto originales.
- ◆ Nunca se sitúe directamente debajo de la zona que está limpiando.
- ◆ Nunca utilice la herramienta sobre una escalera o soporte inestable.
- ◆ No extienda la herramienta a una altura por encima del hombro.

## Símbolos de advertencia

Encontrará los siguientes símbolos de advertencia en la herramienta:



Antes de la utilización, lea el manual de instrucciones.



Mantenga alejados a los transeúntes.



Lleve gafas protectoras.



No arroje la batería al fuego.



Riesgo de electrocución. Manténgase alejado al menos 10 m de las líneas de alta tensión.



Recomendado para su uso en la mayor parte de superficies pintadas.



No recomendado para su uso en superficies pintadas.

## Instrucciones de seguridad adicionales para baterías y cargadores

### Baterías

- ◆ Nunca, por ningún motivo, trate de abrir las pilas.
- ◆ No exponga la batería al agua.
- ◆ No las almacene en lugares donde la temperatura pueda superar los 40 °C.
- ◆ Cargue las baterías únicamente a temperaturas entre 4 y 40 °C.
- ◆ Recargue utilizando únicamente el cargador suministrado con la herramienta.
- ◆ Cuando deseche las pilas, siga las instrucciones indicadas en la sección "Protección del medio ambiente".

### Cargadores

- ◆ Use el cargador Black & Decker únicamente para cargar baterías del tipo suministrado. Otras baterías podrían estallar, causando daños y lesiones personales.
- ◆ Nunca intente cargar baterías no recargables.
- ◆ Sustituya inmediatamente los cables defectuosos.
- ◆ No exponga el cargador al agua.
- ◆ No abra el cargador.
- ◆ No manipule el cargador.



El cargador está pensado únicamente para su uso en interiores.



Transformador aislante a prueba de averías. La alimentación de corriente está separada eléctricamente de la salida del transformador.



El cargador se desconecta automáticamente si la temperatura ambiente es demasiado elevada. A consecuencia de esto el cargador quedará inoperativo. El cargador debe desconectarse del suministro de red y llevarse a un centro de servicio técnico autorizado para su reparación.



Antes de la utilización, lea el manual de instrucciones.

### Seguridad eléctrica



El cargador lleva un doble aislamiento; por lo tanto no requiere una toma a tierra. Compruebe siempre que la tensión de la red corresponda al valor indicado en la placa de características.

- ◆ **¡Atención!** No intente nunca sustituir el cargador por un enchufe normal a la red.

- ◆ Si el cable eléctrico está estropeado, debe ser sustituido por el fabricante o un servicio técnico autorizado de Black & Decker con el fin de evitar accidentes.

## Características

1. Interruptor de encendido/apagado
2. Empuñadura principal
3. Cabezal de cepillo
4. Cepillo
5. Pinza de bloqueo del cabezal del cepillo
6. Tubo de extensión (naranja)
7. Tubo de extensión (verde)
8. Compartimento de la batería

## Fig. A

9. Cepillo suave, 20 cm
10. Cepillo firme, 20 cm
11. Cepillo firme, 10 cm

## Fig. B

12. Cargador
13. Alojamiento del cargador
14. Indicador de carga
15. Indicador de carga completada

## Montaje

**Atención!** Antes de proceder al montaje, extraiga siempre la batería.

### Colocación y extracción de la batería (fig. C)

- ◆ Abra el compartimento de la batería (8) girando la cubierta de la batería (16) en el sentido contrario a las agujas del reloj.
- ◆ Para introducir la batería (17), colóquela en línea con el alojamiento (18) sobre la herramienta. Introduzca la batería en el alojamiento y empujela hasta que encaje en su sitio.
- ◆ Para retirar la batería, saque ésta del alojamiento.
- ◆ Fije la cubierta de la batería girándola en el sentido de las agujas del reloj.

### Instalación de la tapa de la batería (fig. D)

**¡Atención!** Instale la tapa (19) en la batería (17) para el transporte y almacenamiento.

### Montaje y desmontaje del cabezal del cepillo (fig. E)

**¡Atención!** Retire la batería de la herramienta cuando monte o desmonte los cepillos.

- ◆ Empuje el conector del cepillo (20) hacia el cabezal del cepillo (3).
- ◆ Para montar el cepillo (4), introdúzcalo en el cabezal del cepillo.

- ◆ Para retirar el cepillo, saque el cepillo del cabezal del cepillo.
- ◆ Suelte el conector del cepillo.

### Extensión del cabezal del cepillo (fig. F)

El alcance máximo puede lograrse montando los tubos de extensión entre el cabezal del cepillo (3) y el mango (2).

### Montaje de un tubo de extensión

- ◆ Alinee la ranura del exterior del extremo de acoplamiento del mango (2) con la lengüeta del interior del extremo del acoplamiento del tubo de extensión (6).
- ◆ Introduzca el tubo de extensión en el mango.
- ◆ Introduzca el collarín (21) hacia abajo y gírelo en el sentido de las agujas del reloj hasta que quede totalmente apretado.
- ◆ Alinee la ranura del exterior del extremo de acoplamiento del tubo de extensión (6) con la lengüeta del interior del extremo de acoplamiento del cabezal del cepillo (3).
- ◆ Introduzca el cabezal del cepillo (3) en el tubo de extensión.
- ◆ Introduzca el collarín (22) hacia abajo y gírelo en el sentido de las agujas del reloj hasta que quede totalmente apretado.

### Montaje de dos tubos de extensión

- ◆ Monte un tubo de extensión como se indica anteriormente.
- ◆ Alinee la ranura del exterior del extremo de acoplamiento del tubo de extensión (7) con la lengüeta del interior del extremo de acoplamiento del tubo de extensión (6).
- ◆ Introduzca el tubo de extensión (7) en el otro tubo de extensión (3).
- ◆ Introduzca el collarín (22) hacia abajo y gírelo en el sentido de las agujas del reloj hasta que quede totalmente apretado.
- ◆ Alinee la ranura del exterior del extremo de acoplamiento del tubo de extensión (7) con la lengüeta del interior del extremo de acoplamiento del cabezal del cepillo (3).
- ◆ Introduzca el cabezal del cepillo (3) en el tubo de extensión (7).
- ◆ Introduzca el collarín (23) hacia abajo y gírelo en el sentido de las agujas del reloj hasta que quede totalmente apretado.

## Uso

**¡Atención!** Deje que la herramienta funcione a su ritmo.

No lo sobrecargue.

- ◆ Utilice la herramienta sobre superficies húmedas o jabonosas.
- ◆ Utilice la herramienta con 1 extensión para aplicaciones de corto alcance.
- ◆ Utilice la herramienta con 2 extensiones para aplicaciones de alcance extralargo.
- ◆ Si la herramienta empieza a funcionar lentamente, reduzca la carga.

- ◆ Siempre que le sea posible, mantenga la batería conectada al cargador y el cargador enchufado mientras no esté usando la herramienta.

### Carga de la batería (fig. B)

La batería debe cargarse antes de usarla por primera vez y siempre que no obtenga la suficiente potencia en trabajos que antes efectuaba con facilidad. Cuando cargue la batería por primera vez, o después de un prolongado almacenaje, sólo obtendrá una carga del 80%. Después de varios ciclos de carga y descarga, la batería alcanzará su capacidad máxima. Durante la carga, la batería podría calentarse; esto es normal y no indica ningún problema.

**¡Atención!** No cargue la batería a una temperatura ambiente inferior a 4 °C o superior a 40 °C. Temperatura recomendada de carga: aprox. 24 °C.

### Cargador de 8 hora

- ◆ Para cargar la batería (17), extraígalas de la herramienta e insértele el alojamiento del cargador (13) en la batería.
- ◆ Enchufe el cargador (12).

La batería estará totalmente cargada en el plazo aproximado de 8 horas. Puede extraerla en cualquier momento o dejarla en el cargador conectado indefinidamente.

### Cargador de 1 hora

- ◆ Para cargar la batería (17), extraígalas de la herramienta e insértela en el cargador (12). La batería encajará en el cargador sólo en un sentido. No la fuerce. Compruebe que la batería está totalmente insertada en el cargador.
- ◆ Enchufe el cargador.

Compruebe que el indicador rojo de carga (14) esté encendido. Si en su lugar se enciende el indicador verde de carga (15), entonces la batería está demasiado caliente y no puede cargarse. Si ocurre esto, extraiga la batería del cargador, deje que se enfríe durante 1 hora aproximadamente y vuelva a insertarla.

Después de 1 hora aproximada de carga, el indicador rojo se apagará y se encenderá el indicador verde de carga finalizada. Entonces la batería estará totalmente cargada.

- ◆ Extraiga la batería del cargador.

### Encendido y apagado (fig. G)

- ◆ Para poner en marcha la herramienta, coloque el conmutador On/Off (1) en la posición I.
- ◆ Para desconectar la herramienta, coloque el conmutador On/Off en la posición O.

### Cambio del modo de funcionamiento (fig. H & I)

La herramienta puede ajustarse en modo giratorio o en modo fijo. El modo giratorio permite una rotación libre del cabezal del cepillo. El modo fijo restringe la rotación del cabezal del cepillo.

El cabezal del cepillo puede fijarse en cualquier ángulo dentro de 80° de rotación.

- ◆ Saque la pinza de bloqueo (5).
- ◆ Para el modo giratorio, gire la pinza 180° hasta el símbolo de desbloqueo.
- ◆ Para el modo fijo, gire la pinza 180° hasta el símbolo de bloqueo.
- ◆ Vuelva a introducir la pinza hasta que encaje en su lugar.

### Utilización de la herramienta en el modo giratorio

- ◆ Sujete la herramienta como se indica en la fig. J & K.

### Utilización de la herramienta en el modo fijo

- ◆ Sujete la herramienta como se indica en la fig. L.

### Consejos para un uso óptimo

- ◆ Utilice el modo giratorio para una superficie con contornos y la limpieza de grandes superficies con movimiento hacia delante y atrás.
- ◆ Utilice el modo fijo para el fregado agresivo y la limpieza con un movimiento de lado a lado.

### Limpieza, mantenimiento y almacenamiento

Su herramienta Black & Decker está diseñada para que funcione durante un largo período de tiempo con un mantenimiento mínimo. El funcionamiento satisfactorio continuado depende de un cuidado apropiado y una limpieza periódica de la herramienta. Su cargador no requiere ningún mantenimiento aparte de una limpieza periódica.

**¡Atención!** Antes de efectuar cualquier mantenimiento en la herramienta, retire la batería de la herramienta. Desenchufe el cargador antes de limpiarlo.

### Después del uso y antes de su almacenamiento

**¡Atención!** Lleve guantes adecuados y protección ocular cuando limpie la herramienta.

- ◆ Después del uso, limpie con cuidado los cepillos.
- ◆ Limpie periódicamente la carcasa del motor con un paño húmedo. No utilice ninguna sustancia limpiadora abrasiva o que contenga disolventes.
- ◆ Asegúrese de que no queden residuos en los interruptores antes y después del uso.

### Almacenamiento

Cuando la herramienta no se usa durante varios meses, resulta muy conveniente dejar la batería conectada al cargador.

En caso contrario, proceda del modo siguiente:

- ◆ Cargue totalmente la batería.
- ◆ Extraiga la batería de la herramienta.

- ◆ Guarde la herramienta y la batería en un lugar seco y seguro. La temperatura de almacenamiento siempre debe estar entre +5 °C y +40 °C. Coloque la batería sobre una superficie nivelada.
- ◆ Antes de volver a usar la herramienta tras un almacenamiento prolongado, cargue de nuevo totalmente la batería.

## Solución de problemas

Si la herramienta no funciona correctamente, compruebe lo siguiente:

Avería	Causa posible	Acción
La herramienta no se pone en marcha.	La batería no se ha instalado correctamente.	Compruebe la instalación de la batería.
	Batería descargada.	Acople una batería (totalmente) cargada.
	El botón de desbloqueo no funciona.	Siga los pasos del procedimiento de arranque.
	Las conexiones de los polos no están correctamente apretadas.	Compruebe las conexiones.
La batería no carga.	La batería no se ha instalado correctamente.	Compruebe la instalación de la batería.

## Protección del medio ambiente



Separación de desechos. Este producto no debe desecharse con la basura doméstica normal.

Si llega el momento de reemplazar su producto Black & Decker o éste ha dejado de tener utilidad para usted, no lo deseche con la basura doméstica normal. Asegúrese de que este producto se deseche por separado.



La separación de desechos de productos usados y embalajes permite que los materiales puedan reciclarse y reutilizarse. La reutilización de materiales reciclados ayuda a evitar la contaminación medioambiental y reduce la demanda de materias primas.

La normativa local puede prever la separación de desechos de productos eléctricos de uso doméstico en centros municipales de recogida de desechos o a través del distribuidor cuando adquiere un nuevo producto. Black & Decker proporciona facilidades para la recogida y el reciclado de los productos Black & Decker que hayan llegado al final de su vida útil.

Para hacer uso de este servicio, devuelva su producto a cualquier servicio técnico autorizado, que lo recogerá en nuestro nombre.

Pueden consultar la dirección de su servicio técnico más cercano poniéndose en contacto con la oficina local de Black & Decker en la dirección que se indica en este manual. Como alternativa, puede consultar en Internet la lista de servicios técnicos autorizados e información completa de nuestros servicios de posventa y contactos en la siguiente dirección: [www.2helpU.com](http://www.2helpU.com)

## Baterías



Las baterías Black & Decker pueden recargarse muchas veces. Cuando se agoten, deséchelas respetando las normas de protección del entorno:

- ◆ Utilice la batería hasta que se agote por completo y luego retírela de la herramienta.
- ◆ Las baterías NiCd y NiMH son reciclables. Llévelas a cualquier servicio técnico autorizado o a un centro de reciclado.

## Características técnicas

GPC900	
Voltaje	V <sub>DC</sub> 18
Velocidad sin carga	min <sup>-1</sup> 150
Máxima longitud de palo telescópico	m 3
Peso (sin batería)	kg 3,25

## Batería

Voltaje	V <sub>DC</sub> 18
Capacidad	Ah 1,5
Peso	kg 0,9

Cargador	8 horas	1 horas
Voltaje	V <sub>AC</sub> 230	230
Tiempo aproximado de carga	h 8	1
Peso	kg 0,4	1,2

## Declaración de conformidad CE

Black & Decker declara que estos productos cumplen las normas siguientes:  
98/37/CE, 89/336/CEE, 73/23/CEE, EN 55014, EN 60335 & EN 61000

Kevin Hewitt  
Director de Ingeniería del Consumidor  
Spennymoor, County Durham DL16 6JG,  
Reino Unido  
1-11-2006

## Garantía

Black & Decker confía plenamente en la calidad de sus productos y ofrece una garantía extraordinaria. Esta declaración de garantía es una añadida, y en ningún caso un perjuicio para sus derechos estatutarios. La garantía es válida dentro de los territorios de los Estados Miembros de la Unión Europea y de los de la Zona Europea de Libre Comercio.

Si un producto Black & Decker resultará defectuoso debido a materiales o mano de obra defectuosos o a la falta de conformidad, Black & Decker garantiza, dentro de los 24 meses de la fecha de compra, la sustitución de las piezas defectuosas, la reparación de los productos sujetos a un desgaste y rotura razonables o la sustitución de tales productos para garantizar al cliente el mínimo de inconvenientes, a menos que:

- ◆ El producto haya sido utilizado con propósitos comerciales, profesionales o de alquiler;
- ◆ El producto haya sido sometido a un uso inadecuado o negligente;
- ◆ El producto haya sufrido daños causados por objetos o sustancias extrañas o accidentes;
- ◆ Se hayan realizado reparaciones por parte de personas que no sean los servicios de reparación autorizados o personal de servicios de Black & Decker;

Para reclamar en garantía, será necesario que presente la prueba de compra al vendedor o al servicio técnico de reparaciones autorizado. Pueden consultar la dirección de su servicio técnico más cercano poniéndose en contacto con la oficina local de Black & Decker en la dirección que se indica en este manual. Como alternativa, se puede consultar en Internet, en la dirección siguiente, la lista de servicios técnicos autorizados e información completa de nuestros servicios de postventa y contactos: **[www.2helpU.com](http://www.2helpU.com)**

Visite nuestro sitio web **[www.blackanddecker.eu](http://www.blackanddecker.eu)** para registrar su nuevo producto Black & Decker y mantenerse al día sobre nuestros productos y ofertas especiales. Encontrará información adicional sobre la marca Black & Decker y nuestra gama de productos en **[www.blackanddecker.eu](http://www.blackanddecker.eu)**

## Utilização

A sua escova telescópica sem fios Black & Decker foi concebida para limpeza leve e para esfregar superfícies. Esta ferramenta destina-se apenas ao doméstico.

O seu carregador Black & Decker foi concebido para carregar as baterias Black & Decker do tipo fornecido com esta ferramenta.

## Regras gerais de segurança

**Advertência!** Leia todas as instruções. O não cumprimento das instruções a seguir podem causar choque eléctrico, incêndio e/ou graves lesões. O termo "ferramenta eléctrica" utilizado a seguir refere-se a ferramentas eléctricas com ligação à corrente eléctrica (com cabo) ou operadas a bateria (sem fios).

GUARDE BEM ESTAS INSTRUÇÕES.

### 1. Área de trabalho

#### a. Mantenha a sua área de trabalho limpa e arrumada.

Desordem e áreas de trabalho com fraca iluminação podem causar acidentes.

#### b. Não trabalhar com a ferramenta eléctrica em áreas com risco de explosão, nas quais se encontrem líquidos, gases ou pós inflamáveis.

Ferramentas eléctricas produzem faíscas que podem provocar a ignição de pó e vapores.

#### c. Mantenha crianças e outras pessoas afastadas da ferramenta eléctrica durante o trabalho com a ferramenta.

Distracções podem causar a falta de controlo sobre o aparelho.

### 2. Segurança eléctrica

#### a. A ficha da ferramenta eléctrica deve caber na tomada.

A ficha não deve ser modificada de modo algum.

**Não utilize quaisquer fichas de adaptação junto com ferramentas eléctricas ligadas à terra.**

Fichas sem modificações e tomadas adequadas reduzem o risco de choques eléctricos.

#### b. Evite que o corpo entre em contacto com superfícies ligadas à terra, como por exemplo tubos, radiadores, fogões e frigoríficos.

Há um risco elevado de choques eléctricos, caso o corpo seja ligado à terra.

#### c. A ferramenta eléctrica não deve ser exposta à chuva nem humidade.

A penetração de água na ferramenta eléctrica aumenta o risco de choques eléctricos.

#### d. Manuseie o fio com cuidado. O cabo da ferramenta não deve ser utilizado para o transporte, para pendurar a ferramenta, nem para puxar a ficha da tomada.

**Mantenha o cabo afastado de calor, óleo, cantos afiados ou partes em movimento da ferramenta.**

Cabos danificados ou torcidos aumentam o risco de choques eléctricos.

#### e. Ao trabalhar com a ferramenta eléctrica ao ar livre, use um cabo de extensão apropriado para áreas externas.

O uso de um cabo apropriado para áreas externas reduz o risco de choques eléctricos.

### 3. Segurança pessoal

#### a. Esteja alerta, observe o que está a fazer, e tenha prudência ao trabalhar com a ferramenta eléctrica. Não use a ferramenta eléctrica se estiver cansado ou sob a influência de drogas, álcool ou medicamentos.

Um momento de falta de atenção durante a operação da ferramenta eléctrica pode causar graves lesões.

#### b. Usar um equipamento pessoal de protecção.

**Utilizar sempre óculos de protecção.**

Equipamento de segurança, como por exemplo, máscara de protecção contra pó, sapatos de segurança anti-derrapantes, capacete de segurança ou protecção auricular, de acordo com o tipo e aplicação da ferramenta eléctrica, reduz o risco de lesões.

#### c. Evite um accionamento involuntário. Assegure-se de que o interruptor está na posição de desligado antes de o ligar.

O transporte de ferramentas eléctricas com o dedo no interruptor ou a ligação das mesmas que tenham o interruptor ligado provoca acidentes.

#### d. Remover chaves de ajustes ou chaves de fenda, antes de ligar a ferramenta eléctrica.

Uma chave de fenda ou chave de ajuste que se encontre numa parte móvel da ferramenta, pode levar a lesões.

#### e. Não se sobrestime. Mantenha-se sempre bem posicionado e em equilíbrio.

Desta forma poderá ser mais fácil controlar a ferramenta em situações inesperadas.

#### f. Use vestuário apropriado. Não use roupa larga ou jóias. Mantenha o cabelo, roupa e luvas afastadas de partes em movimento.

Roupas largas, jóias ou cabelos longos podem ser agarradas por partes em movimento.

#### g. Se for prevista a montagem de dispositivos de aspiração de pó e de dispositivos de recolha, assegure-se de que estão ligados e que são utilizados de forma correcta.

A utilização destes dispositivos reduz os riscos provocados por pó.

#### 4. Utilização e manutenção da ferramenta eléctrica

- a. **Não sobrecarregue a ferramenta eléctrica. Use para o seu trabalho a ferramenta eléctrica correcta.**

A ferramenta correcta realizará o trabalho de forma melhor e mais segura dentro da potência indicada.

- b. **Não utilize a ferramenta eléctrica se o interruptor não puder ser ligado nem desligado.**

Qualquer ferramenta eléctrica que não possa ser controlada através do interruptor de ligar-desligar é perigosa e deve ser reparada.

- c. **Desligue a ficha da tomada antes de efectuar ajustes na ferramenta, substituir acessórios ou armazenar a ferramenta eléctrica.**

Esta medida de segurança evita que a ferramenta eléctrica seja ligada acidentalmente.

- d. **Mantenha as ferramentas eléctricas que não estiverem a ser utilizadas fora do alcance de crianças. Não permita que a ferramenta seja utilizada por pessoas não familiarizadas com a mesma ou que não tenham lido estas instruções.**

As ferramentas eléctricas são perigosas se utilizadas por pessoas não qualificadas.

- e. **Trate a sua ferramenta eléctrica com cuidado.**

**Verifique se as partes móveis da ferramenta funcionam perfeitamente e não emperram, se há peças quebradas ou danificadas, que possam influenciar o funcionamento da ferramenta. As peças danificadas devem ser reparadas antes da utilização da ferramenta.**

Muitos acidentes têm como causa uma manutenção insuficiente das ferramentas eléctricas.

- f. **Mantenha as ferramentas de corte sempre afiadas e limpas.**

Ferramentas de cortes devidamente tratadas, com cantos afiados travam com menos frequência e podem ser controladas com maior facilidade.

- g. **Use a ferramenta eléctrica, os acessórios e as brocas da ferramenta etc., de acordo com estas instruções e da maneira determinada para este tipo especial de ferramenta eléctrica. Considere também as condições de trabalho e o trabalho a ser efectuado.**

A utilização da ferramenta eléctrica para outros fins que os previstos pode resultar em situações perigosas.

#### 5. Utilização e manutenção da bateria

- a. **Assegure-se de que o interruptor está na posição de desligado antes de introduzir a ficha na tomada.**

A colocação da bateria nas ferramentas eléctricas com o interruptor ligado pode causar acidentes.

- b. **Recarregue apenas com o carregador especificado pelo fabricante.**

Um carregador que seja adequado a um tipo de bateria pode causar o risco de incêndio quando utilizado nouro tipo de bateria.

- c. **Utilize as ferramentas eléctricas apenas com as baterias especificamente designadas.**

A utilização de outro tipo de bateria pode causar o risco de lesões ou incêndio.

- d. **Quando a bateria não está a ser utilizada, mantenha-a afastada de quaisquer outros objectos metálicos, como clips de papel, moedas, chaves, pregos, parafusos ou outros objectos metálicos pequenos que possam efectuar a ligação de um terminal para outro.**

O contacto de ambos os terminais da bateria pode causar queimaduras ou incêndio.

- e. **Em condições abusivas, o líquido pode ser ejectado da bateria; evite o contacto. Caso isso aconteça, passe por água. Caso o líquido entre em contacto com os olhos, procure ajuda médica.**

O líquido ejectado da bateria pode causar irritação ou queimaduras.

#### 6. Reparação

- a. **A sua ferramenta eléctrica só deve ser reparada por pessoal qualificado e só devem ser colocadas peças sobressalentes originais.**

Desta forma é assegurada a segurança da ferramenta eléctrica.

#### Instruções de segurança adicionais

Neste manual indicam-se as aplicações do acessório.

Não force pequenas ferramentas ou acessórios para fazer o trabalho dum ferramenta forte. A ferramenta trabalhará melhor e de uma maneira mais segura se for utilizada para o efeito indicado. Não force a ferramenta. Não utilize a ferramenta para fins diferentes dos previstos. Por exemplo, não utilize as serras circulares para cortar ramos de árvore ou lenha.

**Advertência!** O uso de qualquer acessório ou da própria ferramenta para realizar quaisquer operações além das recomendadas neste manual de instruções pode dar origem a ferimentos.

Antes do uso, verifique cuidadosamente se a ferramenta e o cabo de força não estão danificados. Verifique se as peças móveis estão alinhadas e engatadas, se há alguma peça partida, se as protecções e os interruptores estão danificados, bem como quaisquer outras condições que possam afectar o funcionamento do aparelho. Assegure-se de que a ferramenta funcione correctamente e de que esteja a desempenhar as funções para as quais foi projectada. Não utilize a ferramenta se houver alguma peça defeituosa. Não utilize a ferramenta se o interruptor não estiver a funcionar para ligar ou desligar. Qualquer peça defeituosa ou danificada deverá ser reparada ou substituída por um técnico autorizado. Nunca tente efectuar qualquer reparação por sua conta.

## Instruções adicionais de segurança para escovas telescópicas

- ◆ Antes de utilizar, limpe e inspecione a escova quanto à presença de resíduos.
- ◆ Não escove com solventes, ácidos, soluções cáusticas, venenos, óleos, líquidos inflamáveis ou outros produtos semelhantes.
- ◆ Tenha o cuidado de se colocar fora do percurso de limpeza.
- ◆ Mantenha-se sempre bem posicionado e em equilíbrio.
- ◆ Utilize protector de ouvidos sempre que o nível de ruído pareça ser incómodo.
- ◆ Segure firmemente a ferramenta com ambas as mãos quando o motor estiver a funcionar.
- ◆ Retire sempre a bateria da ferramenta durante o armazenamento ou transporte da ferramenta.
- ◆ Utilize apenas peças sobressalentes e acessórios originais.
- ◆ Nunca se coloque directamente sob a área que está a limpar.
- ◆ Nunca utilize a ferramenta numa escada ou num suporte instável.
- ◆ Não estenda a ferramenta acima da altura do seu ombro.

## Símbolos de advertência

Os símbolos de advertência a seguir encontram-se na ferramenta:



Leia o manual de instruções antes de utilizar.



Mantenha as outras pessoas afastadas.



Use óculos de protecção.



Não exponha a bateria ao fogo.



Perigo de electrocussão. Mantenha a ferramenta a uma distância mínima de 10 m de linhas aéreas.



Utilização recomendada na maior parte das superfícies pintadas.



Utilização não recomendada em superfícies pintadas.

## Instruções adicionais de segurança para baterias e carregadores

### Baterias

- ◆ Nunca tente abrir a bateria seja qual for a razão.
- ◆ Não deixe que a bateria entre em contacto com a água.
- ◆ Não armazene em locais onde a temperatura possa exceder 40 °C.
- ◆ Carregue somente à temperatura ambiente, entre 4 °C e 40 °C.
- ◆ Carregue somente utilizando o carregador fornecido com a ferramenta.
- ◆ Siga as instruções fornecidas na secção "Protecção do meio ambiente" quando desejar desfazer-se das baterias.

### Carregadores

- ◆ Utilize seu carregador Black & Decker somente para carregar as baterias do tipo fornecido com a sua ferramenta. Outras baterias poderiam explodir, causando ferimentos pessoais e estragos.
- ◆ Nunca tente carregar baterias não recarregáveis.
- ◆ Substitua os cabos defeituosos imediatamente.
- ◆ Não deixe que o carregador entre em contacto com a água.
- ◆ Não abra o carregador.
- ◆ Não submeta o carregador a testes.



O carregador destina-se apenas a ser utilizado no interior.



Transformador isolado contra falhas. A fonte de alimentação está electricamente separada da saída do transformador.



130°C O carregador desliga-se automaticamente caso a temperatura ambiente fique demasiado elevada. Em consequência, o carregador fica inoperacional. O carregador deve ser desligado da fonte de alimentação de rede e levado para ser reparado num centro de reparação autorizado.



Leia o manual de instruções antes de utilizar.

## Segurança eléctrica



O seu carregador está duplamente isolado, pelo que não é necessário fio de terra. Verifique sempre se a tensão eléctrica corresponde à indicada na placa de especificações.

- ◆ **Advertência!** Nunca tente substituir o carregador por uma tomada normal.



- ◆ Se o cabo de alimentação estiver danificado, deverá ser substituído pelo fabricante ou por um Centro de Assistência autorizado pela Black & Decker, de modo a evitar perigos.

## Características

1. Interruptor de ligar/desligar
2. Punho principal
3. Cabeça de escova
4. Escova
5. Grampo de bloqueio da cabeça da escova
6. Tubo de extensão (laranja)
7. Tubo de extensão (verde)
8. Compartimento para a bateria

## Fig. A

9. Escova macia, 20 cm
10. Escova rígida, 20 cm
11. Escova rígida, 10 cm

## Fig. B

12. Carregador
13. Receptáculo do carregador
14. Indicador de carga
15. Indicador de carga completa

## Montagem

**Advertência!** Antes da montagem, retire a bateria.

### Encaixe e remoção da bateria (fig. C)

- ◆ Abra o compartimento da bateria (8) rodando a respectiva tampa (16) para a esquerda.
- ◆ Para colocar a bateria (17), alinhe-a com o respectivo receptáculo (18) na ferramenta. Empurre a bateria em direcção ao respectivo receptáculo até encaixar.
- ◆ Para remover a bateria, puxe-a para fora do receptáculo.
- ◆ Volte a colocar a tampa do compartimento da bateria rodando-a para a direita.

### Instalação da cobertura da bateria (fig. D)

**Advertência!** Coloque a cobertura (19) na bateria (17) para transporte e armazenamento.

### Colocação e remoção da cabeça da escova (fig. E)

**Advertência!** Retire a bateria da ferramenta durante a colocação ou remoção das escovas.

- ◆ Empurre o conector da escova (20) em direcção à cabeça da escova (3).
- ◆ Para encaixar a escova (4), empurre-a na direcção da cabeça da escova.
- ◆ Para retirar a escova, puxe-a para fora da cabeça.
- ◆ Abra o conector da escova.

### Extensão da cabeça da escova (fig. F)

O alcance máximo pode ser obtido encaixando os tubos de extensão entre a cabeça da escova (e) e o punho (2).

#### Colocação de um tubo de extensão

- ◆ Alinhe a ranhura na parte exterior da extremidade de encaixe do punho (2) com a saliência na parte interior da extremidade de encaixe do tubo de extensão (6).
- ◆ Empurre o tubo de extensão em direcção ao punho.
- ◆ Empurre o anel (21) para baixo e rode-o para a direita até estar totalmente apertado.
- ◆ Alinhe a ranhura na parte exterior da extremidade de encaixe do tubo de extensão (6) com a saliência na parte interior da extremidade de encaixe da cabeça da escova (3).
- ◆ Empurre a cabeça da escova (3) em direcção ao tubo de extensão.
- ◆ Empurre o anel (22) para baixo e rode-o para a direita até estar totalmente apertado.

#### Colocação de dois tubos de extensão

- ◆ Encaixe um tubo de extensão conforme o descrito acima.
- ◆ Alinhe a ranhura na parte exterior da extremidade de encaixe do tubo de extensão (7) com a saliência na parte interior da extremidade de encaixe do tubo de extensão (6).
- ◆ Empurre o tubo de extensão (7) em direcção ao outro tubo de extensão.
- ◆ Empurre o anel (22) para baixo e rode-o para a direita até estar totalmente apertado.
- ◆ Alinhe a ranhura na parte exterior da extremidade de encaixe do tubo de extensão (7) com a saliência na parte interior da extremidade de encaixe da cabeça da escova (3).
- ◆ Empurre a cabeça da escova (3) em direcção ao tubo de extensão (7).
- ◆ Empurre o anel (23) para baixo e rode-o para a direita até estar totalmente apertado.

## Utilização

**Advertência!** Deixe que a ferramenta funcione à vontade.

Não o sobrecarregue.

- ◆ Utilize a ferramenta em superfícies molhas ou ensaboadas.
- ◆ Utilize a ferramenta com 1 extensão para aplicações de curto alcance.
- ◆ Utilize a ferramenta com 2 extensões para aplicações de longo alcance.
- ◆ Se a ferramenta começar a funcionar lentamente, reduza a carga.
- ◆ Se possível, mantenha a bateria ligada ao carregador e este ligado sempre que a ferramenta não estiver em uso.

## Carregar a bateria (fig. B)

A bateria precisa ser carregada antes da primeira utilização e sempre que falhe em produzir potência suficiente para realizar trabalhos que antes eram facilmente realizados. Quando estiver a carregar a bateria pela primeira vez, ou após armazenamento prolongado, ela aceitará somente 80% da carga. Após vários ciclos de carga e descarga, a bateria atingirá sua capacidade total. A bateria pode ficar quente enquanto estiver a carregar; isto é normal e não indica um problema.

**Advertência!** Não carregue a bateria a temperaturas ambientes inferiores a 4 °C ou superiores a 40 °C.

A temperatura recomendada para carregar é de aproximadamente 24 °C.

## Carregador de 8 hora

- ◆ Para carregar a bateria (17), remova-a da ferramenta e insira-a no receptáculo do carregador (13) na bateria.
- ◆ Ligue o carregador (12).

A bateria estará completamente carregada em aproximadamente 8 horas, podendo ser removida a qualquer momento ou deixada indefinidamente no carregador ligado.

## Carregador de 1 hora

- ◆ Para carregar a bateria (17), remova-a da ferramenta e insira-a no carregador (12). A bateria só encaixará no carregador de um modo. Não force. Esteja seguro de que a bateria está completamente encaixada no carregador.
- ◆ Ligue o carregador à corrente elétrica.

Verifique se o indicador vermelho de carregamento (14) acende. Se, em vez disso, o indicador verde de fim de carregamento (15) se acender, a bateria está muito quente e não pode ser carregada. Se isso acontecer, remova a bateria do carregador, deixe-a arrefecer durante, aproximadamente, 1 hora e insira-a de novo. Depois de, aproximadamente, 1 hora de carregamento, o indicador vermelho de carga apaga-se e o indicador verde de final de carregamento acende-se. A bateria estará então completamente carregada.

- ◆ Retire a bateria do carregador.

## Como ligar e desligar o aparelho (fig. G)

- ◆ Para desligar o aparelho, coloque o interruptor de ligar/desligar (1) na posição I.
- ◆ Para desligá-lo, coloque o interruptor na posição O.

## Alteração do modo de operação (fig. H & I)

A ferramenta pode ser colocada no modo rotativo ou fixo. O modo rotativo permite uma rotação livre da cabeça da escova. O modo fixo limita a rotação da cabeça da escova. A cabeça da escova pode ser fixa em qualquer ângulo de rotação até 80°.

- ◆ Puxe o grampo de bloqueio (5) para fora.
- ◆ Para o modo rotativo, rode o grampo 180° até ao símbolo de desbloqueio.
- ◆ Para o modo fixo, rode o grampo 180° até ao símbolo de bloqueio.
- ◆ Empurre o grampo até encaixar.

## Utilização da ferramenta no modo rotativo

- ◆ Segure a ferramenta conforme mostrado na fig. J & K.

## Utilização da ferramenta no modo fixo

- ◆ Segure a ferramenta conforme mostrado na fig. L.

## Sugestões para uma melhor utilização

- ◆ Utilize o modo rotativo para superfícies arredondadas ou para limpar grandes áreas com um movimento para a frente e para trás.
- ◆ Utilize o modo fixo para um esfregar agressivo e limpar num movimento lateral.

## Limpeza, manutenção e armazenamento

Esta ferramenta Black & Decker foi desenvolvida para funcionar por um longo período, com um mínimo de manutenção. O funcionamento contínuo e satisfatório depende de limpeza regular e de manutenção adequada. O seu carregador não requer qualquer manutenção para além de uma limpeza regular.

**Advertência!** Antes de executar qualquer manutenção na ferramenta, retire a bateria. Desligue o carregador antes de o limpar.

## Após a utilização e antes do armazenamento

**Advertência!** Use luvas adequadas e protecção ocular durante a limpeza da ferramenta.

- ◆ Após a utilização, limpe cuidadosamente as escovas.
- ◆ Limpe regularmente o compartimento do motor utilizando um pano húmido. Não utilize nenhum detergente abrasivo ou de base solvente.
- ◆ Certifique-se de que todos os interruptores estão livres de detritos antes e após a utilização da ferramenta.

## Armazenamento

Caso não utilize a ferramenta por vários meses, o ideal é deixar a bateria ligada ao carregador.

Caso contrário, proceda da seguinte forma:

- ◆ Carregue totalmente a bateria.
- ◆ Remova a bateria da ferramenta.
- ◆ Guarde a ferramenta e a bateria num local seco e seguro. A temperatura de armazenamento deve permanecer na faixa de +5 °C a +40 °C. Coloque a bateria numa superfície horizontal.

- ◆ Antes de utilizar o aparador após um longo período sem funcionamento, carregue novamente a bateria.

## Resolução de problemas

Se a ferramenta não funcionar correctamente, verifique o seguinte.

Falha	Possível causa	Solução
A ferramenta não funciona.	Bateria não instalada correctamente.	Verifique a instalação da bateria.
	Bateria descarregada.	Coloque uma bateria (completamente) carregada.
	Botão de travamento não accionado.	Cumpra o procedimento de arranque.
	Ligações dos pólos incorrectamente apertadas.	Verifique as ligações.
A bateria não carrega.	Bateria não instalada correctamente.	Verifique a instalação da bateria.

## Protecção do meio ambiente



Recolha em separado. Não deve deitar este produto fora juntamente com o lixo doméstico normal.

Caso chegue o momento em que um dos seus produtos Black & Decker precise de ser substituído ou decida desfazer-se do mesmo, não o deite fora juntamente com o lixo doméstico. Torne este produto disponível para uma recolha em separado.



A recolha em separado de produtos e embalagens utilizados permite que os materiais sejam reciclados e reutilizados. A reutilização de materiais reciclados ajuda a evitar a poluição ambiental e a reduzir a procura de matérias-primas.

Os regulamentos locais poderão providenciar a recolha em separado de produtos eléctricos junto das casas, em lixeiras municipais ou junto dos fornecedores ao adquirir um novo produto.

A Black & Decker oferece um serviço de recolha e reciclagem de produtos Black & Decker que tenha atingido o fim das suas vidas úteis. Para tirar proveito deste serviço, devolva seu produto a qualquer agente de reparação autorizado, que se encarregará de recolher o equipamento em nosso nome. Para verificar a localização do agente de reparação mais próximo de si, contacte o escritório local da Black & Decker no endereço indicado neste manual. Se preferir, consulte a lista de agentes autorizados da Black & Decker e os dados completos dos nossos serviços de atendimento pós-venda na Internet no endereço: [www.2helpU.com](http://www.2helpU.com)

## Baterias



As baterias Black & Decker podem ser recarregadas inúmeras vezes. Quando atingirem o fim das suas vidas úteis, deite-as fora com o devido cuidado com o nosso meio ambiente.

- ◆ Descarregue completamente a bateria e remova-a do aparelho.
- ◆ As baterias NiCd e NiMH são recicláveis. Entregue-as em qualquer agente de reparação autorizado ou numa estação de reciclagem local.

## Dados técnicos

	GPC900	
Voltagem	$V_{DC}$	18
Velocidade sem carga	$\text{min}^{-1}$	150
Comprimento máximo do tubo telescópico	m	3
Peso (sem a bateria)	kg	3,25

## Bateria

Voltagem	$V_{DC}$	18
Capacidade	Ah	1,5
Peso	kg	0,9

## Carregador

	8 h	1 h
Voltagem	$V_{AC}$ 230	230
Tempo aproximado de carregamento	h 8	1
Peso	kg 0,4	1,2

## Declaração de conformidade CE

A Black & Decker declara que estes produtos estão em conformidade com a:  
98/37/CE, 89/336/CEE, 73/23/CEE, EN 55014, EN 60335 & EN 61000

*K. Hewitt*

Kevin Hewitt  
Director de Engenharia do Consumo  
Spennymoor, County Durham DL16 6JG,  
Reino Unido  
1-11-2006

## Garantia

A Black & Decker confia na qualidade de seus produtos e oferece um programa de garantia excelente. Esta declaração de garantia soma-se aos seus direitos legais e não os prejudica em nenhum aspecto. A garantia será válida nos territórios dos Estados Membros da União Europeia e na Área de Livre Comércio da Europa.

Caso algum produto da Black & Decker apresente avarias devido a defeitos de material, mão-de-obra ou ausência de conformidade no prazo de 24 meses a partir da data de compra, a Black & Decker garantirá a substituição das peças defeituosas, a reparação dos produtos que foram submetidos a uso adequado e remoção ou substituição dos mesmos para assegurar o mínimo de inconvenientes ao cliente a menos que:

- ◆ O produto tenha sido utilizado para fins comerciais, profissionais ou aluguer;
- ◆ O produto tenha sido submetido a uso incorrecto ou descuido;
- ◆ O produto tenha sofrido danos causados por objectos estranhos, substâncias ou acidentes;
- ◆ Tenha um histórico de reparações efectuadas por terceiros que não sejam os agentes autorizados ou profissionais de manutenção da Black & Decker.

Para activar a garantia, será necessário enviar a prova de compra ao revendedor ou agente de reparação autorizado.

Para verificar a localização do agente de reparação mais próximo de si contacte o escritório local da Black & Decker no endereço indicado neste manual. Se preferir, consulte a lista de agentes autorizados da Black & Decker e os dados completos de nossos serviços de atendimento pós-venda na Internet no endereço: **[www.2helpU.com](http://www.2helpU.com)**

Visite o nosso website **[www.blackanddecker.eu](http://www.blackanddecker.eu)**

para registar o seu novo produto Black & Decker e para se manter actualizado sobre novos produtos e ofertas especiais. Estão disponíveis mais informações sobre a Black & Decker e sobre a nossa gama de produtos em **[www.blackanddecker.eu](http://www.blackanddecker.eu)**

## Användningsområde

Den här uppladdningsbara skaffborsten från Black & Decker är avsedd för lätt rengöring och skurning av ytor.

Verktyget är endast avsett som konsumentverktyg.

Din Black & Decker batteriladdare är avsedd för laddning av Black & Decker-batterier av den typ som medföljer verktyget.

## Allmänna säkerhetsregler

**Varning!** Samtliga anvisningar ska läsas. Fel som uppstår till följd av att anvisningarna nedan inte följts kan orsaka elchock, brand och/eller allvarliga kroppsskador. Nedan använt begrepp "Elverktyg" hänförs till nätdrivna elverktyg (med nätsladd) och till batteridrivna elverktyg (sladdlösa).

TA VÄL VARA PÅ SÄKERHETSANVISNINGARNA.

### 1. Arbetsområde

#### a. Håll arbetsplatsen ren och välbelyst.

Oordning på arbetsplatsen och dåligt belyst arbetsområde kan leda till olyckor.

#### b. Använd inte elverktyget i explosionsfarlig omgivning med brännbara vätskor, gaser eller damm.

Elverktygen alstrar gnistor som kan antända dammet eller gaserna.

#### c. Håll under arbetet med elverktyget barn och obehöriga personer på betryggande avstånd.

Om du störs av obehöriga personer kan du förlora kontrollen över elverktyget.

### 2. Elektrisk säkerhet

#### a. Elverktygets stickpropp måste passa till vägguttaget. Stickproppen får absolut inte förändras. Använd inte adapterkontakter tillsammans med skyddsjordade elverktyg.

Oförändrade stickproppar och passande vägguttag reducerar risken för elchock.

#### b. Undvik kroppskontakt med jordade ytor som t. ex. rör, värmeelement, spisar och kylskåp.

Det finns en större risk för elchock om din kropp är jordad.

#### c. Skydda elverktyget mot regn och väta.

Tränger vatten in i ett elverktyg ökar risken för elchock.

#### d. Misshandla inte nätsladden. Använd inte sladden för att bära eller hänga upp elverktyget och inte heller för att dra stickproppen ur vägguttaget. Håll nätsladden på avstånd från värme, olja, skarpa kanter och rörliga maskindelar.

Skadade eller tillrasslade sladdar ökar risken för elchock.

#### e. Använd när du arbetar med ett elverktyg utomhus endast förlängningssladdar som är godkända för utomhusbruk.

Om en avsedd förlängningssladd för utomhusbruk används minskar risken för elchock.

### 3. Personlig säkerhet

#### a. Var uppmärksam, se på vad du gör och använd elverktyget med förnuft. Använd inte elverktyget när du är trött eller om du är påverkad av droger, alkohol eller mediciner.

Under användning av elverktyg kan även en kort ouppmärksamhet leda till allvarliga kroppsskador.

#### b. Använd personlig skyddsutrustning. Bär alltid skyddsglasögon.

Den personliga skyddsutrustningen som t. ex. dammfiltermask, halkfria säkerhetsskor, hjälm eller hörselskydd - med beaktande av elverktygets modell och driftsätt - reducerar risken för kroppsskada.

#### c. Undvik oavsiktlig igångsättning. Kontrollera att strömbrytaren står i avstängt läge innan du kopplar elverktyget till nätet.

Det kan vara mycket farligt att bära ett elverktyg med fingret på strömbrytaren eller koppla det till nätet med strömbrytaren i till-läge.

#### d. Ta bort alla inställningsverktyg och skruvnycklar innan du startar elverktyget.

Ett verktyg eller en nyckel i en roterande komponent kan medföra kroppsskada.

#### e. Sträck dig inte för långt. Se till att du alltid har säkert fotfäste och balans.

På så sätt kan du lättare kontrollera elverktyget i oväntade situationer.

#### f. Bär lämpliga kläder. Bär inte löst hängande kläder eller smycken. Håll hår, kläder och handskar undan från rörliga delar.

Löst hängande kläder, smycken och långt hår kan dras in av roterande delar.

#### g. Vid elverktyg med dammsugnings- och uppsamlingsutrustning kontrollera att anordningarna är rätt monterade och används på korrekt sätt.

Dessa anordningar reducerar riskerna i samband med damm.

### 4. Bruk och skötsel av elverktyg

#### a. Överbelasta inte elverktyget. Använd rätt elverktyg för det aktuella arbetet.

Med ett lämpligt elverktyg kan du arbeta bättre och säkrare inom angivet effektområde.

#### b. Ett elverktyg med defekt strömbrytare får inte användas.

Ett elverktyg som inte kan kopplas till eller från är farligt och måste repareras.

#### c. Dra stickproppen ur vägguttaget innan inställningar utförs, tillbehörsdelar byts ut eller elverktyget ställs undan.

Denna skyddsåtgärd förhindrar oavsiktlig inkoppling av elverktyget.

- d. **Förvara elverktygen oåtkomliga för barn. Låt inte elverktyget användas av personer som inte är förtrogna med dess användning eller inte läst denna anvisning.**  
Elverktygen är farliga om de används av oerfarna personer.
- e. **Sköt elverktyget omsorgsfullt. Kontrollera att rörliga komponenter fungerar felfritt och inte kärvar, att komponenter inte brustit eller skadats och inget annat föreligger som kan påverka elverktygets funktioner. Låt skadade delar repareras innan elverktyget används på nytt.**  
Många olyckor orsakas av dåligt skötta elverktyg.
- f. **Håll skärverktyg skarpa och rena.**  
Omsorgsfullt skötta skärverktyg med skarpa eggar fastnar inte så lätt och går lättare att styra.
- g. **Använd elverktyget, tillbehör, insatsverktyg osv. enligt dessa anvisningar och på sätt som föreskrivits för aktuell verktygsmodell. Ta hänsyn till arbetsvillkoren och arbetsmomenten.**  
Används elverktyget på icke ändamålsenligt sätt kan farliga situationer uppstå.
5. **Bruk och skötsel av elverktyg**
- a. **Kontrollera att elverktyget är frånkopplat innan batteriet placeras.**  
Insättning av batteriet i ett inkopplat elverktyg kan leda till olyckor.
- b. **Ladda batterierna endast i de laddare som tillverkaren rekommenderat.**  
Om en laddare som är avsedd för en viss typ av batterier används för andra batterityper finns risk för brand.
- c. **Använd endast batterier som är avsedda för aktuellt elverktyg.**  
Används andra batterier finns risk för kroppsskada och brand.
- d. **Håll gem, mynt, nycklar, spikar, skruvar och andra metallföremål på avstånd från reservbatterier för att undvika att kontakterna kortsluts.**  
Kortslutning av batteriets kontakter kan leda till brännskador eller brand.
- e. **Om batteriet används på felaktigt sätt finns risk för att vätska rinner ur batteriet. Undvik kontakt med vätskan. Vid oavsiktlig kontakt spola med vatten. Om vätska kommer i kontakt med ögonen uppsök dessutom läkare.**  
Batterivätskan kan medföra hudirritation eller brännskada.
6. **Service**
- a. **Låt elverktyget endast repareras av kvalificerad fackpersonal och med originalreservdelar.**  
Detta garanterar att elverktygets säkerhet bibehålls.

Verktyget utför arbetet bättre och säkrare i den takt det är avsett för. Överbelasta inte verktyget. Använd inte verktyget i annat än avsett syfte. Använd till exempel inte cirkelsågar för att såga grenar eller ved.

**Varning!** Bruk av tillbehör eller tillsatser, eller utförande av någon verksamhet med detta verktyg, som inte rekommenderas i denna bruksanvisning kan innebära risk för personskada.

Kontrollera verktyget och sladden för skador innan du använder verktyget. Kontrollera på felriktade eller fastnade rörliga delar, brustna delar, skadade skydd eller omkopplare och alla andra förhållanden som kan påverka verktygets funktion. Kontrollera att verktyget fungerar riktigt och kan utföra de avsedda funktionerna. Använd inte verktyget om fel uppstår på någon av dess delar. Använd inte verktyget om det inte kan kopplas till och från med strömbrytaren. Om fel uppstår skall delarna repareras eller bytas ut av en auktoriserad Black & Decker serviceverkstad. Försök aldrig reparera verktyget själv.

### Extra säkerhetsföreskrifter för skaffborstar

- ◆ Innan användning rengör man borsten och kontrollerar om det har fastnat något skräp i den.
- ◆ Skura inte med lösningsmedel, syror, lut, gift, oljor, brännbara vätskor eller liknande produkter.
- ◆ Ställ dig inte i vägen för rengöringen.
- ◆ Se till att du alltid har säkert fotfäste och balans.
- ◆ Använd hörselskydd om du besväras av ljudnivån.
- ◆ Håll verktyget stadigt med båda händerna när motorn är i gång.
- ◆ Ta alltid bort batteriet från verktyget vid förvaring eller transport av verktyget.
- ◆ Använd endast originalreservdelar och tillbehör.
- ◆ Stå aldrig rakt under området som rengörs.
- ◆ Använd aldrig verktyget på en stege eller ostadigt underlag.
- ◆ Höj inte verktyget över axelhöjd.

### Varningssymboler

Följande varningssymboler finns på verktyget:



Läs bruksanvisningen före bruk.



Håll omstående undan.



Använd skyddsglasögon.

### Tillkommande säkerhetsanvisningar

Verktygets avsedda bruk beskrivs i denna bruksanvisning. Tvinga inte verktyget att göra arbeten som är avsedda för kraftigare verktyg.



Utsätt inte batteriet för eld.



Risk för livsfarliga elstötar. Håll minst 10 m avstånd till luftledning.



Rekommenderas för användning på de flesta målade ytor.



Ikke recommenderas för användning på målade ytor.

## Tillkommande säkerhetsanvisningar för batterier och laddare

### Batterier

- ◆ Försök aldrig öppna.
- ◆ Låt inte batteriet komma i kontakt med vatten.
- ◆ Förvara inte laddaren i utrymmen där temperaturen kan överstiga 40 °C.
- ◆ Ladda endast inom temperaturområdet 4 °C till 40°C.
- ◆ Ladda endast med laddaren som medföljer.
- ◆ När batterierna kasseras skall instruktionerna i kapitlet "Miljö" följas.

### Laddare

- ◆ Använd Black & Decker-laddaren endast för att ladda batteriet i det verktyg det medföljde. Andra typer av batterier kan explodera och förorsaka person- och materialskador.
- ◆ Försök aldrig ladda icke-uppladdningsbara batterier.
- ◆ Byt genast ut skadade sladdar.
- ◆ Låt inte laddaren komma i kontakt med vatten.
- ◆ Öppna inte laddaren.
- ◆ Gör ingen åverkan på laddaren.



Laddaren är endast avsedd för inomhusbruk.



Felsäker isolertransformator. Nätströmmen är elektriskt separerad från transformatorutgången.



Laddaren stängs automatiskt av om omgivningstemperaturen är hög. I så fall går laddaren inte längre att använda. Laddaren måste kopplas bort från elnätet och lämnas in hos en auktoriserad servicepunkt för reparation.



Läs bruksanvisningen före bruk.

## Elsäkerhet



Laddaren är dubbelisolerad; jordledare är således överflödiga. Kontrollera alltid att nätspänningen överensstämmer med typskylten.

- ◆ **Varning!** Försök aldrig att ersätta laddningsenheten med en vanlig nätkontakt.
- ◆ Om nätsladden är skadad måste den bytas ut av tillverkaren eller en godkänd Black & Deckerserviceverkstad för att undvika en risksituation.

## Detaljbeskrivning

1. Strömbrytare
2. Huvudhandtag
3. Borsthuvud
4. Borste
5. Borsthuvudets låsspänne
6. Förlängningsrör (orange)
7. Förlängningsrör (grönt)
8. Batterifack

### Fig. A

9. Mjuk borste, 20 cm
10. Fast borste, 20 cm
11. Fast borste, 10 cm

### Fig. B

12. Laddare
13. Laddningsenhet
14. Laddningsindikator - laddning pågår
15. Laddningsindikator - full laddning

## Montering

**Varning!** Avlägsna alltid batteriet före montering.

### Hur batteriet sätts i och tas bort (fig. C)

- ◆ Öppna batteriutrymmet (8) genom att vrida batterilocket (16) moturs.
- ◆ Montera batteriet (17) genom att rikta det efter verktygets hållare (18). Skjut sedan in batteriet i hållaren tills det klickar fast.
- ◆ Avlägsna batteriet genom att dra ut det ur hållaren.
- ◆ Sätt tillbaka batterilocket genom att vrida det medsols.

### Montering av batterikåpan (fig. D)

**Varning!** Sätt kåpan (19) över batteriet (17) för transport och förvaring.

## Montering och avlägsnande av borsthuvudet (fig. E)

**Varning!** Ta bort batteriet från verktyget vid montering och avlägsnande av borstar.

- ◆ Skjut borstanslutningen (20) mot borsthuvudet (3).
- ◆ Fäst borsten (4) genom att skjuta in den i borsthuvudet.
- ◆ Avlägsna borsten genom att dra ut borsten ur borsthuvudet.
- ◆ Släpp borstanslutningen.

## Förlängning av borsthuvudet (fig. F)

Den maximala räckvidden fås genom att montera förlängningsrören mellan borsthuvudet (3) och handtaget (2).

### Montering av ett förlängningsrör

- ◆ Rikta in spåret på utsidan av handtagets kopplingsände (2) med tungan på insidan av förlängningsrörets kopplingsände (6).
- ◆ Tryck fast förlängningsröret på handtaget.
- ◆ Skjut ner kragen (21) och rotera den medsols tills den är ordentligt åtdragen.
- ◆ Rikta in spåret på utsidan av förlängningsrörets kopplingsände (6) med tungan på insidan av borsthuvudets kopplingsände (3).
- ◆ Tryck fast borsthuvudet (3) på förlängningsröret.
- ◆ Skjut ner kragen (22) och rotera den medsols tills den är ordentligt åtdragen.

### Montering av två förlängningsrör

- ◆ Montera ett förlängningsrör enligt ovan.
- ◆ Rikta in spåret på utsidan av förlängningsrörets kopplingsände (7) med tungan på insidan av förlängningsrörets kopplingsände (6).
- ◆ Tryck fast förlängningsröret (7) på det andra förlängningsröret.
- ◆ Skjut ner kragen (22) och rotera den medsols tills den är ordentligt åtdragen.
- ◆ Rikta in spåret på utsidan av förlängningsrörets kopplingsände (7) med tungan på insidan av borsthuvudets kopplingsände (3).
- ◆ Tryck fast borsthuvudet (3) på förlängningsröret (7).
- ◆ Skjut ner kragen (23) och rotera den medsols tills den är ordentligt åtdragen.

## Användning

**Varning!** Överbelasta inte maskinen, låt den arbeta i sin egen takt.

- ◆ Använd verktyget på våta eller intvålede ytor.
- ◆ Använd verktyget med 1 förlängning för arbeten med kort räckvidd.
- ◆ Använd verktyget med 2 förlängningar för arbeten med extra lång räckvidd.
- ◆ Minska belastningen om verktyget börjar gå långsamt.
- ◆ Ha helst batteriet anslutet till laddaren, och laddaren ansluten till vägguttaget, när verktyget inte används.

## Laddning av batteriet (fig. B)

Batteriet måste laddas innan det används första gången och alltid när verktyget inte längre fungerar effektivt. När batteriet laddas första gången eller efter en längre tids förvaring är laddningskapaciteten endast 80%. Efter flera uppladdnings- och urladdningscyklar uppnår batteriet full kapacitet.

Batteriet kan bli varmt under laddningen; detta är en normal företeelse och indikerar inte något fel.

**Varning!** Ladda inte batteriet om lufttemperaturen är lägre än 4 °C eller högre än 40 °C. Rekommenderad temperatur vid laddning är cirka 24 °C.

### 8 timmes laddare

- ◆ För att ladda batteriet (17) tar du ut det ur verktyget och skjuter laddningsenheten (13) på batteriet.
- ◆ Nätan slut laddaren (12).

Batteriet är fulladdat efter cirka 8 timmar. Det kan antingen tas ut när som helst eller lämnas kvar i den anslutna laddaren under obegränsad tid.

### 1 timmes laddare

- ◆ När batteriet (17) skall laddas tas det ur verktyget och placeras i laddaren (12). Det finns bara ett sätt att sätta batteriet i laddaren. Bruka inte våld. Kontrollera att batteriet sitter ordentligt i laddaren.
- ◆ Sätt in laddarens kontakt i vägguttaget.

Kontrollera att den röda laddningsindikatorn (14) tänds.

Om den gröna laddningsindikatorn (15) lyser istället betyder det att batteriet är för varmt och inte kan laddas. Om detta händer ska batteriet tas ut ur laddaren och svalna under cirka 1 timma, varefter det placeras i laddaren igen.

Efter cirka 1 timmes laddning släcks den röda laddningsindikatorn och tänds den gröna indikatorn för avslutad laddning. Batteriet är nu fulladdat.

- ◆ Tag ut batteriet ur laddaren.

## Start och stopp (fig. G)

- ◆ För att starta maskinen ställ strömbrytaren (1) i läge I.
- ◆ För att stanna maskinen ställ strömbrytaren i läge 0.

## Ändring av arbetsläget (fig. H & I)

Verktyget kan ställas in på vridläge eller fast läge. I vridläget kan borsthuvudet rotera fritt. I fast läge är borsthuvudets rotation begränsad. Borsthuvudet kan fästas i valfri vinkel inom 80° av rotationen.

- ◆ Drag ut låsspännet (5).
- ◆ För vridläget roterar man spännet 180° till symbolen för oläst.
- ◆ För fast läge roterar man spännet 180° till symbolen för låst.
- ◆ Skjut tillbaka spännet tills det låses fast i läge.

## Användning av verktyget i vridläge

- ◆ Håll verktyget såsom visas i fig. J & K.



## Användning av verktyget i fast läge

- ◆ Håll verktyget såsom visas i fig. L.

## Råd för bästa resultat

- ◆ Använd vridläget för ytor med konturer och rengöring av stora ytor med en svepande rörelse fram och tillbaka.
- ◆ Använd det fasta läget för kraftig skurning och rengöring med rörelser från sida till sida.

## Rengöring, underhåll och förvaring

Ditt Black & Decker verktyg har tillverkats för att fungera under lång tid med ett minimum av underhåll. Med rätt underhåll och regelbunden rengöring behåller verktyget sin prestanda.

Laddaren behöver inget underhåll förutom regelbunden rengöring.

**Varning!** Tag bort batteriet innan underhåll utförs på verktyget. Tag ur laddarkontakten före rengöring.

## Efter användning och innan förvaring

**Varning!** Använd ordentliga handskar och skyddsglasögon vid rengöring av verktyget.

- ◆ Rengör borstarna noggrant efter varje användning.
- ◆ Rengör kåpan regelbundet med en fuktig trasa. Använd aldrig rengöringsmedel med lösnings- eller slipmedel i.
- ◆ Kontrollera före och efter bruk att alla strömbrytare är fria från skräp.

## Förvaring

Batteriet bör helst vara anslutet till laddaren om verktyget inte ska användas på flera månader.

Gör annars så här:

- ◆ Ladda batteriet så mycket det går.
- ◆ Tag ut batteriet ur verktyget.
- ◆ Förvara verktyget och batteriet på en säker och torr plats. Förvaringstemperaturen måste alltid ligga mellan +5 °C och +40 °C. Placera batteriet på en horisontell yta.
- ◆ Ladda batteriet ordentligt på nytt innan verktyget tas i bruk igen efter att ha förvarats under en längre tid.

## Felsökning

Kontrollera nedanstående punkter om verktyget inte fungerar korrekt.

Fault	Möjlig orsak	Handling
Verktyget startar inte.	Batteriet fel placerat.	Kontrollera batteriets placering.
	Batteriet urladdat.	Placera ett (helt) laddat batteri.
	Spärknappen ej intryckt.	Starta verktyget enligt anvisningarna.
	Lösa polanslutningar.	Kontrollera anslutningarna.

Batteriet kan ej laddas.	Batteriet fel placerat.	Kontrollera batteriets placering.
--------------------------	-------------------------	-----------------------------------

## Miljöskydd



Särskild insamling. Denna produkt får inte kastas bland vanliga hushållssopor.

Om du någon gång i framtiden behöver ersätta din Black & Decker-produkt med en ny, eller inte längre behöver den, ska du inte kasta den i hushållssoporna. Denna produkt skall lämnas till särskild insamling.



Efter insamling av använda produkter och förpackningsmaterial kan materialen återvinnas och användas på nytt. Användning av återvunna material skonar miljön och minskar förbrukningen av råvaror.

Enligt lokal lagstiftning kan det förekomma särskilda insamlingar av uttjänt elutrustning från hushåll, antingen vid kommunala miljöstationer eller hos detaljhandlaren när du köper en ny produkt.

Black & Decker erbjuder en insamlings- och återvinningstjänst för Black & Decker-produkter när de en gång har tjänat ut. För att använda den här tjänsten lämnar du in produkten till en auktoriserad B & D -reparatör/representant som tar hand om den för din räkning.

Närmaste auktoriserade Black & Decker-representant finner du genom det lokala Black & Decker-kontoret på adressen i den här manualen. Annars kan du söka på Internet, på listan över auktoriserade Black & Decker-representanter och alla uppgifter om vår kundservice och andra kontakter.

[www.2helpU.com](http://www.2helpU.com)

## Batterier



Black & Decker-batterierna kan laddas många gånger. Skydda miljön genom att lämna uttjänta batterier till avsedd uppsamlingsplats.

- ◆ Låt batteriet laddas ur helt och ta sedan bort det från verktyget.
- ◆ NiCd- och NiMH-batterier kan återvinnas. Lämna dem till inköpsstället eller den lokala återvinningsstationen.

## Tekniska data

	GPC900
Spänning	$V_{DC}$ 18
Obelastad hastighet	$min^{-1}$ 150
Max. skaftlängd	m 3
Vikt (utan batteri)	kg 3,25

<b>Batteri</b>		
Spänning	$V_{DC}$	18
Kapacitet	Ah	1,5
Vikt	kg	0,9

<b>Laddare</b>	<b>8 tim</b>	<b>1 tim</b>
Spänning	$V_{AC}$ 230	230
Laddningstid cirka	tim 8	1
Vikt	kg 0,4	1,2

### EC-förklaring om överensstämmelse

Black & Decker förklarar att dessa produkter överensstämmer med:  
98/37/EG, 89/336/EEG, 73/23/EEG, EN 55014, EN 60335 & EN 61000



Kevin Hewitt  
Director of Consumer Engineering  
Spennymoor, County Durham DL16 6JG,  
Storbritannien  
1-11-2006

För information om närmaste auktoriserad verkstad; kontakta det lokala Black & Decker kontoret på den adress som är angiven i bruksanvisningen. En lista på alla auktoriserade verkstäder samt servicevillkor finns även tillgängligt på Internet, adress: [www.2helpU.com](http://www.2helpU.com)

Besök vår webbplats [www.blackanddecker.se](http://www.blackanddecker.se) för att registrera din nya Black & Decker-produkt samt för att erhålla information om nya produkter och specialerbjudanden. Vidare information om märket Black & Decker och vårt produktsortiment kan återfinnas på [www.blackanddecker.se](http://www.blackanddecker.se)

### Reservdelar / reparationer

Reservdelar finns att köpa hos auktoriserade Black & Decker verkstäder, som även ger kostnadsförslag och reparerar våra produkter.

Förteckning över våra auktoriserade verkstäder finns på Internet, vår hemsida [www.blackanddecker.se](http://www.blackanddecker.se) samt [www.2helpU.com](http://www.2helpU.com)

### Garanti

Black & Decker garanterar att produkten är fri från material- och/eller fabrikationsfel vid leverans till kund. Garantin är i tillägg till konsumentens lagliga rättigheter och påverkar inte dessa. Garantin gäller inom medlemsstaterna i Europeiska Unionen och i det Europeiska Frihandelsområdet.

Om en Black & Decker produkt går sönder på grund av material- och/eller fabrikationsfel eller brister i överensstämmelse med specifikationen, inom 24 månader från köpet, åtar sig Black & Decker att reparera eller byta ut produkten med minsta besvär för kunden.

Garantin gäller inte för fel som beror på:

- ◆ normalt slitage
- ◆ felaktig användning eller skötsel
- ◆ att produkten skadats av främmande föremål, ämnen eller genom olyckshändelse

Garantin gäller inte om reparation har utförts av någon annan än en auktoriserad Black & Decker verkstad.

För att utnyttja garantin skall produkten och inköpskvittot lämnas till återförsäljaren eller till en auktoriserad verkstad senast 2 månader efter det att felet har upptäckts.

## Bruksområder

Din Black & Decker trådløse stangskrubber er beregnet til lett rengjøring og skrubbing.

Verktøyet er tiltenkt kun som konsumentverktøy.

Din Black & Decker batterilader er konstruert for å lade Black & Decker batterier av den typen som leveres med verktøyet.

## Generelle sikkerhetsforskrifter

**Advarsel!** Les gjennom alle anvisningene. Hvis anvisningene nedenfor ikke overholdes, kan det medføre elektrisk støt, brann og/eller alvorlige skader. Uttrykket «elektroverktøy» i alle advarslene nedenfor gjelder for strømdrevne elektroverktøy (med ledning) og batteridrevne elektroverktøy (uten ledning).

TA GODT VARE PÅ DISSE ANVISNINGENE.

### 1. Arbeidsplassen

- a. **Hold arbeidsområdet rent og godt opplyst.**  
Rotete arbeidsområder og arbeidsområder uten godt lys kan føre til ulykker.
- b. **Ikke arbeid med elektroverktøy i eksplosjonsfarlige omgivelser - der det befinner seg brennbare væsker, gass eller støt.**  
Elektroverktøy forårsaker gnister som kan antenne støv eller damper.
- c. **Hold barn og andre personer unna når elektroverktøyet brukes.**  
Hvis du blir forstyrret under arbeidet, kan du miste kontrollen.

### 2. Elektrisk sikkerhet

- a. **Støpselet til elektroverktøyet må passe inn i stikkkontakten. Støpselet må ikke forandres på noen som helst måte. Ikke bruk adapterstøpsler sammen med jordete elektroverktøy.**  
Bruk av originale støpsler og passende stikkontakter reduserer risikoen for elektrisk støt.
- b. **Unngå kroppskontakt med jordete overflater som rør, radiatorer, komfyrer og kjøleskap.**  
Det er større fare for elektrisk støt hvis kroppen din er jordat.
- c. **Hold elektroverktøy unna regn eller fuktighet.**  
Dersom det kommer vann i et elektroverktøy, øker risikoen for elektrisk støt.
- d. **Unngå uforvarlig behandling av ledningen.**  
Elektroverktøyet må aldri bæres eller trekkes etter ledningen, og trekk heller ikke ut støpselet ved å rykke i ledningen. Hold ledningen unna varme, olje, skarpe kanter eller bevegelige deler.  
Med skadde eller sammenflokete ledninger øker risikoen for elektrisk støt.

- e. **Når du arbeider utendørs med et elektroverktøy, må du kun bruke en skjøteledning som er godkjent til utendørs bruk.**

Ved å bruke en skjøteledning som er egnet for utendørs bruk, reduseres risikoen for elektrisk støt.

### 3. Personikkerhet

- a. **Vær oppmerksom, pass på hva du gjør og gå fornuftig fram når du arbeider med et elektroverktøy. Ikke bruk elektroverktøy når du er trett eller er påvirket av narkotika, alkohol eller medikamenter.**  
Et øyeblikks uoppmerksomhet under bruk av verktøyet kan føre til alvorlige personskader.
- b. **Bruk personlig verneutstyr. Bruk alltid vernebriller.**  
Bruk av personlig verneutstyr, for eksempel støvmaske, sklisikre vernesko, hjelm eller hørselsvern som passer til forholdene, reduserer risikoen for personskader.
- c. **Unngå utilsikket start av elektroverktøyet. Påse at bryteren står i posisjon "AV" før verktøyet koples til.**  
Det kan føre til ulykker hvis du bærer elektroverktøyet med fingeren på bryteren, eller kopler til verktøyet når bryteren ikke står i posisjon "AV".
- d. **Fjern innstillingsverktøy eller skrunøkler før du slår på elektroverktøyet.**  
Et verktøy eller en nøkkel som befinner seg i en roterende del, kan føre til personskade.
- e. **Ikke strekk deg for langt. Pass på at du alltid har sikkert fotfeste og god balanse.**  
Da kan du kontrollere elektroverktøyet bedre i uventede situasjoner.
- f. **Bruk alltid egnede klær. Ikke bruk løstsittende klær eller smykker. Hold hår, klær og hansker unna bevegelige deler.**  
Løstsittende tøy, smykker eller langt hår kan komme inn i bevegelige deler.
- g. **Hvis det kan monteres støvavsug- og oppsamlingsinnretninger, må du forvisse deg om at disse er tilkoblet og brukes på korrekt måte.**  
Bruk av disse innretningene reduserer faren i forbindelse med støv.
4. **Aktsom håndtering og bruk av elektroverktøy**
  - a. **Ikke bruk makt på elektroverktøyet. Bruk et elektroverktøy som er beregnet på den type arbeid du vil utføre.**  
Med et passende elektroverktøy arbeider du bedre og sikrere i det angitte effektområdet.
  - b. **Ikke bruk elektroverktøy med defekt strømbryter.**  
Et elektroverktøy som ikke lenger kan slås av eller på med bryteren, er farlig og må repareres.

- c. **Trekk støpselet ut av stikkkontakten før du utfører innstillinger på elektroverktøyet, skifter tilbehørsdeler eller legger elektroverktøyet bort.**

Disse tiltakene reduserer risikoen for en utilsiktet start av elektroverktøyet.

- d. **Elektroverktøy som ikke er i bruk, må oppbevares utilgjengelig for barn. Ikke la verktøyet brukes av personer som ikke er fortrolig med dette, eller som ikke har lest disse bruksanvisningene.**

Elektroverktøy er farlige når de brukes av uerfarne personer.

- e. **Vær nøye med vedlikehold av elektroverktøy. Kontroller om bevegelige deler fungerer feilfritt og ikke klemmes fast, om deler er brukt eller skadet og andre forhold som kan innvirke på elektroverktøyet funksjon. Hvis elektroverktøyet er skadet, må det repareres før bruk.**

Dårlig vedlikeholdte elektroverktøy er årsaken til mange uhell.

- f. **Hold skjæreverktøy skarpe og rene.**

Godt vedlikeholdte skjæreverktøy med skarpe egger setter seg ikke så ofte fast og er lettere å føre.

- g. **Bruk elektroverktøy, tilbehør, bits osv. i henhold til disse anvisningene og slik det er foreskrevet for denne spesielle verktøytypen. Ta hensyn til arbeidsforholdene og arbeidet som skal utføres.**

Bruk av elektroverktøy til andre formål enn det som er angitt, kan føre til farlige situasjoner.

5. **Aktsom håndtering og bruk av oppladbare elektroverktøy**

- a. **Sørg for at verktøy er slått av før du setter i batteriet.**

Hvis du setter batteriet i et elektroverktøy som er slått på, kan dette medføre uhell.

- b. **Lad batteriet kun opp i laderen som er anbefalt av produsenten.**

Det oppstår brannfare hvis en lader som er egnet til en bestemt type batterier, brukes med andre batterier.

- c. **Bruk kun riktig type batterier for elektroverktøyene.**

Bruk av andre batterier kan medføre skader og brannfare.

- d. **Hold batterier som ikke er i bruk, unna binders, mynter, nøkler, spikre, skruer eller andre mindre metallgjenstander som kan lage en forbindelse mellom kontaktene.**

En kortslutning mellom batterikontaktene kan føre til forbrenninger eller brann.

- e. **Ved feilaktig bruk kan det lekke væske ut av batteriet. Unngå kontakt med denne væsken. Ved tilfeldig kontakt må det skylles med vann. Hvis det kommer væske i øynene, må du i tillegg oppsøke lege.**

Batterivæske som renner ut, kan føre til hudirritasjoner eller forbrenninger.

## 6. Service

- a. **Elektroverktøyet ditt skal alltid repareres av kvalifisert personell og kun med originale reservedeler.**

Dette forsikrer at elektroverktøyet sikkerhet opprettholdes.

## Ytterligere sikkerhetsinstruksjoner

Denne instruksjonshåndboken forklarer beregnet bruksmåte.

Ikke tving en maskin til å gjøre arbeid som krever kraftigere verktøy. Verktøyet gjør en tryggere og bedre jobb når det brukes med den hastigheten det er beregnet på.

Ikke overbelast verktøyet. Bruk ikke verktøyet til oppgaver det ikke er beregnet til. For eksempel skal sirkelsager ikke brukes til å sage grener eller ved.

**Advarsel!** Bruk bare tilbehør og utstyr som anbefales i bruksanvisningen. Bruk av annet verktøy eller tilbehør kan medføre en mulig risiko for personskade.

Kontroller verktøyet og strømledningen grundig for skade før bruk. Kontroller for feiljustering eller om de bevegelige delene har satt seg fast, at ingen deler er ødelagt, at vern og brytere er uten skader, og at det ikke foreligger noen andre feil som kan påvirke verktøyet funksjon. Kontroller at verktøyet fungerer som det skal og utfører beregnet funksjon. Bruk aldri verktøyet hvis noen av delene er skadet. Ikke bruk verktøyet hvis det ikke er mulig å slå det på og av med strømbryteren. Ved skade eller feil må delene repareres eller byttes ut av et autorisert serviceverksted. Prøv aldri å reparere noe selv.

## Ekstra sikkerhetsinstruksjoner for stangskrubbere.

- ◆ Før bruk må børsten renses og inspiseres for fastklemt rusk.
- ◆ Ikke skubb med løsemidler, syrer, kaustiske stoffer, gift, oljer, antenkelige væsker eller lignende produkter.
- ◆ Stå alltid unna rengjøringsbanen.
- ◆ Pass på at du alltid har sikkert fotfeste og god balanse.
- ◆ Bruk hørselsvern når støynivået virker ukomfortabelt.
- ◆ Hold verktøyet fast med begge hender når motoren er i gang.
- ◆ Ta alltid batteriet ut av verktøyet når det skal lagres eller transporteres.
- ◆ Bruk bare originale reservedeler og tilbehør.
- ◆ Stå aldri direkte under der du vasker.
- ◆ Bruk aldri verktøyet på en stige eller på et ustøtt underlag.
- ◆ Ikke bruk verktøyet over skulderhøyde.

## Symboler

Du finner følgende varselymboler på verktøyet:



Les instruksjonshåndboken før bruk.



Hold andre personer på avstand.



Bruk vernebriller.



Batteriet må ikke brennes.



Fare for livstruende elektrisk støt. Hold minst 10 m avstand til luftledning.



Anbefalt til bruk på de fleste malte flater.



Ikke anbefalt til bruk på malte flater.

## Ekstra sikkerhetsforskrifter for batterier og ladere

### Batterier

- ◆ Må aldri åpnes.
- ◆ Batteriet må ikke komme i kontakt med vann.
- ◆ Må ikke oppbevares på steder hvor temperaturen kan overstige 40 °C.
- ◆ Må bare lades i lufttemperaturer mellom 4 °C og 40 °C.
- ◆ Må bare lades med laderen som følger med verktøyet.
- ◆ Når du kasserer batteriet, følger du instruksene som står i avsnittet "Miljø".

### Ladere

- ◆ Bruk din Black & Decker lader kun sammen med det batteriet som blir levert med verktøyet. Andre typer batterier kan eksplodere og forårsake person- og materialskader.
- ◆ Forsøk aldri å lade ikke-oppladbare batterier.
- ◆ Bytt straks ut defekte ledninger.
- ◆ Laderen må ikke komme i kontakt med vann.
- ◆ Laderen må ikke åpnes.
- ◆ Ikke undersøk laderen på egenhånd.



Ladere er kun beregnet på innendørs bruk.



Feilsikker skilletransformator. Nettstrømforsyningen er elektrisk atskilt fra transformatorens utgang.



Ladere slås automatisk av hvis omgivelsestemperaturen blir for høy. Følgelig vil det ikke være mulig å bruke laderen. Laderen må kobles fra strømmettet og leveres inn til reparasjon hos et autorisert servicesenter.



Les instruksjonshåndboken før bruk.

## Elektrisk sikkerhet



Ladere er dobbeltisolert. Derfor er ikke jording nødvendig. Kontroller at nettspenningen er i overensstemmelse med spenningen på typeskiltet.

- ◆ **Advarsel!** Du må aldri forsøke å bytte laderen ut med et vanlig støpsel.
- ◆ Hvis strømledningen skades, må den skiftes ut av fabrikanten eller et autorisert Black & Decker servicesenter for å unngå fare.

## Egenskaper

1. Strømbryter
2. Hovedhåndtak
3. Børstehode
4. Børste
5. Børstehodets låseklemme
6. Forlengelsesrør (oransj)
7. Forlengelsesrør (grønt)
8. Batteriluke

## Fig. A

9. Myk børste, 20 cm
10. Hard børste, 20 cm
11. Hard børste, 10 cm

## Fig. B

12. Lader
13. Ladeenheter
14. Ladeindikator - lading pågår
15. Ladeindikator - lading fullført

## Montering

**Advarsel!** Før montering må du alltid ta ut batteriet.

## Plassering og fjerning av batteriet (fig. C)

- ◆ Åpne batterirommet (8) ved å dreie batterilokket (16) mot klokken.
- ◆ Når du skal sette i batteriet (17), holder du det på høyde med holderen (18) på verktøyet. Skyv batteriet inn i holderen, og trykk til det sitter på plass.
- ◆ Hvis du skal fjerne batteriet, trekker du bare batteriet ut av holderen.
- ◆ Sett på plass batterilokket ved å dreie det med klokken.

## Sette på batterilokket (fig. D)

**Advarsel!** Sett hetten (19) på batteriet (17) før det skal transporteres eller legges på lager.

## Montere og fjerne børstehodet (fig. E)

**Advarsel!** Fjern batteriet fra verktøyet når du setter på eller tar av børster.

- ◆ Skyv børstekontakten (20) mot børstehodet (3).
- ◆ Når du skal montere børsten (4), må du skyve den inn i børstehodet.
- ◆ Hvis du skal fjerne børsten, trekker du bare børsten ut av børstehodet.
- ◆ Utløs børstekontakten.

## Forlengelsebørstehodet (fig. F)

Maksimal rekkevidde oppnås ved å sette på et forlengelsesrør mellom børstehodet (3) og håndtaket (2).

## Montere forlengelsesrør

- ◆ Plasser sporet på utsiden av koplingsenden av håndtaket (2) på linje med tungen på innsiden av koplingsenden av forlengelsesrøret (6).
- ◆ Skyv forlengelsesrøret inn på håndtaket.
- ◆ Skyv kragen (21) ned og drei den med klokken, inntil den er helt strammet.
- ◆ Plasser sporet på utsiden av koplingsenden av forlengelsesrøret (6) på linje med tungen på innsiden av koplingsenden av saghodet (3).
- ◆ Skyv saghodet (3) inn på forlengelsesrøret (10).
- ◆ Skyv kragen (22) ned og drei den med klokken, inntil den er helt strammet.

## Montere to forlengelsesrør

- ◆ Monter forlengelsesrørene som beskrevet ovenfor.
- ◆ Plasser sporet på utsiden av koplingsenden av forlengelsesrøret (7) på linje med tungen på innsiden av koplingsenden av forlengelsesrøret (6).
- ◆ Skyv forlengelsesrøret (7) inn på det andre forlengelsesrøret.
- ◆ Skyv kragen (22) ned og drei den med klokken, inntil den er helt strammet.
- ◆ Plasser sporet på utsiden av koplingsenden av forlengelsesrøret (7) på linje med tungen på innsiden av koplingsenden av saghodet (3).
- ◆ Skyv børstehodet (3) inn på forlengelsesrøret (7).
- ◆ Skyv kragen (23) ned og drei den med klokken, inntil den er helt strammet.

## Bruk

**Advarsel!** La verktøyet jobbe med sin egen hastighet. Ikke overbelast det.

- ◆ Bruk verktøyet på våte og innsåpete flater.
- ◆ Bruk verktøyet med 1 forlengelse for bruk innen kort rekkevidde.
- ◆ Bruk verktøyet med 2 forlengelser for bruk med ekstra lang rekkevidde.
- ◆ Hvis verktøyet begynner å gå sakte, reduserer du belastningen.

- ◆ Om mulig bør batteriet være koplet til laderen og laderen koplet til strøm når verktøyet ikke er i bruk.

## Lading av batteriet (fig. B)

Batteriet må lades før første gangs bruk og alltid når verktøyet ikke lenger fungerer effektivt. Når batteriet lades for første gang, eller etter at det ikke har vært brukt i en periode, er ladekapasiteten kun 80%. Etter flere ladings- og utladingsperioder, vil batteriet oppnå full kapasitet. Batteriet kan bli varmt mens det lades; dette er normalt og indikerer ikke at noe er feil.

**Advarsel!** Lad ikke batteriet hvis lufttemperaturen er under 4 °C eller over 40 °C. Anbefalt ladingstemperatur: ca. 24 °C.

## 8-timers lader

- ◆ For å lade batteriet (17) må du ta det ut av verktøyet og skyve laderkontakten (13) inn på batteriet.
- ◆ Koble laderen (12) til stikkkontakten.

Batteriet blir ferdig ladet på ca. 8 timer. Det kan fjernes når som helst, eller det kan stå i den tilkoblede laderen på ubestemt tid.

## 1-timers lader

- ◆ For å lade batteriet (17), ta det ut av verktøyet og sett det inn i laderen (12). Det er bare en måte å plassere batteriet inn i laderen. Ikke bruk makt. Kontroller at batteriet ligger ordentlig på plass i laderen.
- ◆ Sett laderens kontakt i vegguttaket.

Sjekk om den røde ladeindikatoren (14) lyser. Hvis den grønne ladeindikatoren (15) lyser i stedet, er batteriet for varmt og kan ikke lades. Hvis dette skjer, tar du batteriet ut av laderen, lar det avkjøles i 1 time og setter det inn igjen. Etter ca. 1 times lading vil den røde ladeindikatoren slukkes og den grønne ladeindikatoren tennes. Batteriet er nå ferdig oppladet.

- ◆ Ta batteriet ut av laderen.

## Start og stopp (fig. G)

- ◆ For å sette igang verktøyet, setter du strømbryteren (1) i posisjon I.
- ◆ For å slå av verktøyet, setter du strømbryteren i posisjon O.

## Endre bruksmodus (fig. H & I)

Verktøyet kan stilles inn i svingmodus eller fast modus.

Svingmodus gjør at børstehodet kan rotere fritt. Fast modus begrenser rotasjon avt børstehodet. Børstehodet kan festes i enhver vinkel innenfor 80° rotasjon.

- ◆ Trekke ut låseklemmen (5).
- ◆ For svingmodus, roter klemmen 180 grader til ikonet for opplåsning.
- ◆ For fastmodus, roter klemmen 180 grader til ikonet for låst.
- ◆ Trykk klemmen bakover til den klikker på plass.

## Bruke verktøyet i svingmodus

- ◆ Hold verktøyet som vist i fig. J & K.

## Bruke verktøyet i fastmodus

- ◆ Hold verktøyet som vist i fig. L.

## Råd for optimalt resultat

- ◆ Bruk svingmodus til konturflater og til å gjøre rent store flater med bevegelse frem og tilbake.
- ◆ Bruk fastmodus for aggressiv skrubbing og rengjøring med bevegelse fra side til side.

## Rengjøring, vedlikehold og oppbevaring

Ditt Black & Decker-verktøy er konstruert for å være i drift over en lang periode med et minimum av vedlikehold. Det er avhengig av godt vedlikehold og regelmessig rengjøring for å fungere som det skal til enhver tid. Laderen din behøver ikke annet vedlikehold enn at den rengjøres med jevne mellomrom. **Advarsel!** Før det utføres noen form for vedlikehold av verktøyet, må batteriet tas ut. Trekk ut kontakten før du rengjør laderen.

## Etter bruk og før lagring

**Advarsel!** Bruk hansker og vernebillor ved rengjøring av verktøyet.

- ◆ Rengjør børstene omhyggelig etter hver gangs bruk.
- ◆ Rengjør motorhuset regelmessig med en fuktig klut. Ikke bruk slipende eller løsemiddelbaserte rengjøringsmidler.
- ◆ Pass på at alle brytere er fri for rusk før og etter bruk.

## Oppbevaring

Hvis verktøyet ikke skal brukes på flere måneder, bør batteriet helst være koplet til laderen.

Ellers gjør du som følger:

- ◆ Lad batteriet helt opp.
- ◆ Fjern batteriet fra verktøyet.
- ◆ Oppbevar verktøyet og batteriet på et sikkert og tørt sted. Omgivelsestemperaturen ved oppbevaring må alltid holdes innenfor området +5 °C til +40 °C. La batteriet stå på en plan overflate.
- ◆ Før du bruker verktøyet etter langvarig oppbevaring, må batteriet lades helt opp igjen.

## Problemløsning

Hvis verktøyet ikke fungerer som det skal, kontrollerer du følgende:

Feil	Mulig årsak	Løsning
Verktøyet starter ikke	Batteriet er ikke riktig installert.	Sjekk batteriets installasjon.
	Batteriet er utladet.	Sett i et fulladet batteri.
	Låseknappen ikke aktuelt.	Observer startprosedyren.

	Polene har ikke skikkelig kontakt.	Kontroller koblingene.
Batteriet vil ikke lade.	Batteriet er ikke riktig installert.	Sjekk batteriets installasjon.

## Miljøvern



Kildesortering. Dette produktet må ikke kastes i det vanlige husholdningsavfallet.

Hvis du finner ut at Black & Decker-produktet ditt må skiftes ut, eller hvis du ikke lenger har bruk for det, må du unnlate å kaste det sammen med det vanlige husholdningsavfallet. Sørg for at dette produktet gjøres tilgjengelig for kildesortering.



Kildesortering av brukte produkter og emballasje gjør det mulig å resirkulere materialer og bruke dem igjen. Gjenbruk av resirkulerte materialer bidrar til å forhindre forsøpling av miljøet og reduserer behovet for råmaterialer.

Lokale regelverk kan legge tilrette for kildesortering av elektriske produkter fra husholdningen, ved kommunale deponier eller gjennom forhandleren når du kjøper et nytt produkt. Black & Decker har tilrettelagt for innsamling og resirkulering av Black & Decker-produkter etter at de har utspilt sin rolle. Ønsker du å benytte deg av denne tjenesten, returnerer du produktet ditt til et autorisert serviceverksted, som tar det imot og formidler det videre.

Du kan få adressen til ditt nærmeste autoriserte serviceverksted ved å kontakte ditt lokale Black & Decker-kontor på adressen oppgitt i denne håndboken. Du kan også finne en komplett liste over autoriserte Black & Decker-serviceverksteder og utfyllende informasjon om vår etter salg-service og kontaktnumre på Internett på følgende adresse: [www.2helpU.com](http://www.2helpU.com)

## Batterier



Black & Decker-batterier kan lades mange ganger. Beskytt miljøet ved å levere kasserte batterier til kildesortering:

- ◆ Kjør batteriet til det er helt flatt og ta det så ut av verktøyet.
- ◆ NiCd- og NiMH-batterier kan resirkuleres. Ta dem med til en hvilken som helst autorisert forhandler eller en lokal kildesorteringsstasjon.

## Tekniske data

GPC900	
Spenning	$V_{DC}$ 18
Hastighet ubelastet	$\text{min}^{-1}$ 150
Maks. stanglengde	m 3
Vekt (uten batteri)	kg 3,25

## Batteri

Spenning	$V_{DC}$ 18
Kapasitet	Ah 1,5
Vekt	kg 0,9

Lader	8 time	1 time
Spenning	$V_{AC}$ 230	230
Ladetid, ca	timer 8	1
Vekt	kg 0,4	1,2

## Samsvarserklæring for EU

Black & Decker erklærer at disse produktene overholder:  
98/37/EF, 89/336/EØF, 73/23/EØF, EN 55014, EN 60335 &  
EN 61000



Kevin Hewitt  
Adm. dir. for forbrukerteknikk  
Spennymoor, County Durham DL16 6JG,  
Storbritannia  
1-11-2006

- ◆ at produktet har blitt skadet av fremmede gjenstander, emner eller ved et uhell

Det gjøres oppmerksom på at produktet ikke er beregnet på industriell/profesjonell/yrkesmessig bruk, men til hus- og hjemmebruk.

Garantien gjelder ikke om reparasjoner har blitt utført av noen andre enn et autorisert Black & Decker serviceverksted.

For å ta garantien i bruk skal produktet og kjøpekvittring leveres til forhandleren eller til et autorisert serviceverksted senest 2 måneder etter at feilen har blitt oppdaget.

For informasjon om nærmeste autoriserte serviceverksted; kontakt det lokale Black & Decker kontoret på den adressen som er angitt i bruksanvisningen. En oversikt over alle autoriserte serviceverksteder samt servicevilkår finnes også tilgjengelig på Internet, adresse: [www.2helpU.com](http://www.2helpU.com)

Vennligst stikk innom våre nettsider på [www.blackanddecker.no](http://www.blackanddecker.no) for å registrere ditt nye Black & Decker-produkt og for å holde deg oppdatert om nye produkter og spesialtilbud. Du finner mer informasjon om Black & Decker og produktutvalget vårt på [www.blackanddecker.no](http://www.blackanddecker.no)

## Reservdeler / reparasjoner

Reservdeler kan kjøpes hos autoriserte Black & Decker serviceverksteder, som også gir kostnadsoverslag og reparerer våre produkter.

Oversikt over våre autoriserte serviceverksteder finnes på Internet, vår hjemmeside [www.blackanddecker.no](http://www.blackanddecker.no) samt [www.2helpU.com](http://www.2helpU.com)

## Garanti

Black & Decker garanterer at produktet ikke har material- og/eller fabrikkasjonsfeil ved levering til kunde. Garantien er i tillegg til kundens lovlige rettigheter og påvirker ikke disse. Garantien gjelder innen medlemsstatene i den Europeiske Unionen og i det Europeiske Frihandelsområdet.

Hvis et Black & Decker produkt går i stykker på grunn av material- og/eller fabrikkasjonsfeil eller har mangler i forhold til spesifikasjonene, innen 24 måneder fra kjøpet, påtar Black & Decker seg å reparere eller bytte ut produktet med minst mulig vanskelighet for kunden.

Garantien gjelder ikke for feil som kommer av:

- ◆ normal slittasje
- ◆ feilaktig bruk eller vedlikehold (mislighold)



## Anvendelsesområde

Din Black & Decker trådløse stang skrubbe er designet for let rengøring og skrubning af overflader.

Værktøjet er kun beregnet til privat brug.

Black & Decker laderen er designet til opladning af samme Black & Decker batterier, som leveres med dette værktøj.

## Generelle sikkerhedsregler

**Advarsel!** Læs alle instrukserne. Hvis nedenstående instrukser ikke følges, er der risiko for elektrisk stød, brand og/eller alvorlige personskader. Det benyttede begreb "el-værktøj" i nedennævnte advarsler refererer til netdrevne (med tilslutningsledning) eller batteridrevne maskiner (uden tilslutningsledning).

DISSE INSTRUKSER BØR OPBEVARES TIL SENERE BRUG.

### 1. Arbejdsområde

- Sørg for, at arbejdsområdet er rent og ryddeligt.**  
Uordentlige og uoplyste arbejdsområder øger faren for uheld.
- Brug ikke el-værktøj i eksplosionstruede omgivelser, f.eks. hvor der er brændbare væsker, gasser eller støv.**  
El-værktøj kan slå gnister, der kan antænde støv eller dampe.
- Sørg for, at børn og andre personer holder sig på afstand, når el-værktøjet er i brug.**  
Hvis man distraheres, kan man miste kontrollen over maskinen.

### 2. El-sikkerhed

- El-værktøjsstik skal passe til kontakten. Stikket må under ingen omstændigheder ændres. Brug ikke adapterstik sammen med jordforbundet el-værktøj.**  
Uændrede stik, der passer til kontakterne, nedsætter risikoen for elektrisk stød.
- Undgå kropskontakt med jordforbundne overflader som f.eks. rør, radiatorer, komfurer og køleskabe.**  
Hvis din krop er jordforbundet, øges risikoen for elektrisk stød.
- El-værktøj må ikke udsættes for regn eller fugt.**  
Indtrængen af vand i el-værktøj øger risikoen for elektrisk stød.
- Undgå at ødelægge ledningen. Undgå at bære, trække eller afbryde el-værktøjet ved at rykke i ledningen. Beskyt ledningen mod varme, olie, skarpe kanter eller maskindele, der er i bevægelse.**  
Beskadede eller indviklede ledninger øger risikoen for elektrisk stød.
- Hvis el-værktøj benyttes i det fri, skal der benyttes en forlængerledning, som er godkendt til udendørs brug.**  
Brug af en forlængerledning til udendørs brug nedsætter risikoen for elektrisk stød.

### 3. Personlig sikkerhed

- Det er vigtigt at være opmærksom, holde øje med, hvad man laver og bruge el-værktøjet fornuftigt. Man bør ikke bruge maskinen, hvis man er træt, har nydt alkohol eller er påvirket af medicin eller euforiserende stoffer.**  
Få sekunders uopmærksomhed ved brug af el-værktøjet kan føre til alvorlige personskader.
  - Brug sikkerhedsudstyr. Brug altid beskyttelsesbriller.**  
Brug af sikkerhedsudstyr som f.eks. støvmaske, skridsikkert fodtøj, beskyttelseshjelm eller høreværn afhængigt af maskintype og anvendelse nedsætter risikoen for personskader.
  - Undgå utilsigtet igangsætning. Sørg for, at el-værktøjets afbryder er på off, før det sluttes til strømmen.**  
Hvis man bærer el-værktøj med fingeren på afbryderen, eller hvis man slutter værktøjet til strømmen, mens afbryderen er på on, er der risiko for ulykker.
  - Fjern indstillingsværktøj eller skruenøgle, inden el-værktøjet tændes.**  
Et værktøj eller en nøgle, der efterlades i en roterende del i el-værktøjet, kan resultere i personskader.
  - Overvurder ikke dig selv. Sørg for, at du altid har sikkert fodfæste og balance.**  
Det gør det nemmere at kontrollere el-værktøjet, hvis der skulle opstå uventede situationer.
  - Brug egnet arbejdstøj. Undgå løse beklædningsgenstande eller smykker. Hold hår, tøj og handsker væk fra dele, der bevæger sig.**  
Bevægelige dele kan gribe fat i løstsiddende tøj, smykker eller langt hår.
  - Hvis støvudsugnings- og opsamlingsudstyr kan monteres, er det vigtigt, at dette tilsluttes og benyttes korrekt.**  
Brug af dette udstyr nedsætter risikoen for personskader som følge af støv.
- ### 4. Brug og vedligeholdelse af el-værktøj
- Undgå at overbelaste el-værktøjet. Brug altid det rette el-værktøj til opgaven.**  
Med det rigtige el-værktøj udføres arbejdet lettere og sikrere inden for det angivne effektområde.
  - Brug ikke el-værktøjet, hvis afbryderen er defekt.**  
El-værktøj, der ikke kan kontrolleres med afbryderen, er farligt og skal repareres.
  - Træk stikket ud af stikkontakten inden indstilling, tilbehørsudskiftning eller opbevaring af el-værktøjet.**  
Disse sikkerhedsforanstaltninger reducerer risikoen for utilsigtet start af værktøjet.

- d. **Opbevar ubenyttet el-værktøj uden for børns rækkevidde. Lad aldrig personer, der ikke er fortrolige med el-værktøj, eller som ikke har gennemlæst disse instrukser, benytte maskinen.**

El-værktøj er farligt, hvis det benyttes af ukyndige personer.

- e. **El-værktøj bør vedligeholdes omhyggeligt. Kontroller, om bevægelige dele fungerer korrekt og ikke sidder fast, og om delene er brækket eller beskadiget, således at el-værktøjets funktion påvirkes. Få beskadigede dele repareret, inden el-værktøj tages i brug.**

Mange uheld skyldes dårligt vedligeholdet el-værktøj.

- f. **Sørg for, at skæreværktøjer er skarpe og rene.**  
Omhyggeligt vedligeholdte skæreværktøjer med skarpe skærekanter sætter sig ikke så hurtigt fast og er nemmere at føre.

- g. **Brug el-værktøj, tilbehør, indsatsværktøj osv. i overensstemmelse med disse instrukser, og sådan som det kræves for denne specielle værktøjstype. Tag hensyn til arbejdsforholdene og det arbejde, der skal udføres.**

I tilfælde af anvendelse af el-værktøjet til formål, som ligger uden for det fastsatte anvendelsesområde, kan der opstå farlige situationer.

## 5. Brug og vedligeholdelse af batteriværktøj

- a. **Sørg for, at maskinen er slukket, før batteriet indsættes.**

Indsættelse af batteriet i el-værktøj, hvis afbryder er på, on, kan føre til ulykker.

- b. **Oplades kun ved hjælp af ladeaggregater, der er anbefalet af fabrikanten.**

Et ladeaggregat, der er egnet til en bestemt type batterier, kan udgøre brandfare, hvis det bruges med andre batterityper.

- c. **Brug kun el-værktøjet med specifikt fremstillede batterier.**

Brug af andre batterier kan øge risikoen for personskader og er forbundet med brandfare.

- d. **Batterier, der ikke er i brug, må ikke komme i berøring med andre metalgenstande som f.eks. kontorclips, mønter, nøgler, søm, skruer eller andre små metalgenstande, da disse kan kortslutte kontakterne.**

En kortslutning mellem batteripolerne kan medføre forbrændinger eller brand.

- e. **Hvis batteriet anvendes forkert, kan der slippe væske ud af det. Undgå kontakt med denne væske. Hvis der alligevel skulle forekomme kontakt, skylles med vand. Søg læge, hvis væsken kommer i øjnene.**

Væske fra batteriet kan give hudirritation eller forbrændinger.

## 6. Service

- a. **Sørg for, at el-værktøjet kun repareres af kvalificerede fagfolk, og at der kun benyttes originale reservedele.**

Dermed opretholdes el-værktøjets sikkerhed.

## Yderligere sikkerhedsinstruktioner

Det formål, som dette værktøj er beregnet til, er beskrevet i denne brugsanvisning. Tving ikke elværktøj til at udføre arbejde, som er beregnet til kraftigere værktøj. Brug kun tilbehør og dele, der er anbefalet i brugsanvisningen og katalogerne. Værktøjet må ikke forceres. Brug ikke værktøjet til formål, som det ikke er beregnet til. Brug for eksempel ikke rundsaven til at save trægrene eller brænde med.

**Advarsel!** Brug af andet tilbehør eller udførelse af en anden opgave med dette værktøj end de her anbefalede kan medføre risiko for personskader.

Kontrollér omhyggeligt værktøjet og netkablet for beskadigelser, før det tages i brug. Kontroller de bevægelige dele for skæv indstilling og sammenbrændinger, kontroller for brud på dele, skade på skærme og kontakter samt alt andet, der kan påvirke maskinens funktion. Kontrollér, at værktøjet fungerer rigtigt og kan udføre det arbejde, det er beregnet til. Værktøjet må ikke benyttes, hvis en af delene er beskadiget eller defekt. Brug ikke værktøjet, hvis det ikke kan tændes og slukkes ved afbryderen. Skadede eller defekte dele skal repareres eller udskiftes af en autoriseret tekniker. Man må aldrig selv forsøge at reparere værktøjet.

## Yderligere sikkerhedsinstruktioner for stang skrubbere.

- ◆ Før anvendelse, rengør og inspicere børsten for vedhængende materiale.
- ◆ Skrub med opløsningsmidler, syre, ætsende stoffer, gift, olier, brandfarlige væsker eller tilsvarende produkter.
- ◆ Hold dig altid væk fra selve rengøringsområdet.
- ◆ Sørg for, at du altid har sikkert fodfæste og balance.
- ◆ Brug høreværn, når lydniveauet er generende.
- ◆ Hold værktøjet fast med begge hænder, når motoren kører.
- ◆ Fjern altid batteriet fra værktøjet ved opbevaring eller transport af værktøjet.
- ◆ Brug kun originale reservedele og tilbehør.
- ◆ Stå aldrig direkte under det område, som du gør rent.
- ◆ Anvend aldrig værktøjet på en stige eller ved ustabil støtte.
- ◆ Forlæng ikke værktøjet over skulderhøjde.

## Advarselssymboler

Følgende advarselssymboler findes på værktøjet:



Læs brugsanvisningen, før du tager værktøjet i brug.



Hold eventuelle tilskuere på afstand.



Bær beskyttelsesbriller.



Brænd ikke batteriet.



Fare for alvorlig elektricitetsulykke. Hold mindst 10 meters afstand til luftledninger.



Anbefalet for anvendelse på de fleste malede overflader.



Ikke anbefalet for anvendelse på malede overflader.

## Yderligere sikkerhedsanvisninger til batterier og opladere

### Batterier

- ◆ Man må aldrig forsøge at åbne et batteri.
- ◆ Udsæt det ikke for vand.
- ◆ Batteriet må ikke opbevares i et lokale, hvor temperaturen overstiger 40 °C.
- ◆ Det må kun oplades ved omgivelsestemperaturer mellem 4 °C og 40 °C.
- ◆ Oplad kun med den vedlagte oplader.
- ◆ Ved kassering af batterier, skal man følge vejledningen i afsnittet "Miljø".

### Opladere

- ◆ Din Black & Decker lader må kun benyttes til Black & Decker batterier af samme slags som dem, der fulgte med værktøjet. Andre batterier kan eksplodere og skader på ting.
- ◆ Man må aldrig forsøge at genoplade ikke-opladelige batterier.
- ◆ Defekte ledninger skal straks udskiftes.
- ◆ Udsæt ikke opladeren for vand.
- ◆ Opladeren må ikke åbnes.
- ◆ Opladeren må ikke manipuleres.



Opladeren er kun beregnet til indendørs brug.



Fejlsikker isolerende transformere. Strømforsyningen er elektrisk adskilt fra transformereudgang.



Opladeren afbrydes automatisk, hvis den omgivende temperatur bliver for høj. Som følge heraf kan opladeren ikke længere fungere. Opladeren skal afbrydes fra strømforsyningen og bringes til reparation på et autoriseret serviceværksted.



Læs brugsanvisningen, før du tager værktøjet i brug.

## El-sikkerhed



Din oplader er dobbelt isoleret. Derfor er jordledning ikke nødvendig. Før brug skal det kontrolleres, at netspændingen svarer til den, der er angivet på typeskiltet.

- ◆ **Advarsel!** Forsøg aldrig at udskifte opladerenheden med et almindeligt netstik.
- ◆ Hvis el-ledningen er skadet, skal den udskiftes af producenten eller et autoriseret Black & Decker servicecenter for at undgå ulykker.

## Funktioner

1. Afbryder
2. Hovedhåndtag
3. Børstehoved
4. Børste
5. Børstehoved låseklip
6. Forlængerrør (orange)
7. Forlængerrør (grøn)
8. Batteri beholder

### Fig. A

9. Blød børste, 20 cm
10. Fast børste, 20 cm
11. Fast børste, 10 cm

### Fig. B

12. Lader
13. Opladerholder
14. Opladningsindikator - "ladning i gang"
15. Opladningsindikator - "fuld ladning"

## Montering

**Advarsel!** Før montering skal batteriet altid afmonteres.

### Isætning og fjernelse af batteriet (fig. C)

- ◆ Åben batteribeholderen (8) ved at dreje batteridækslet (16) mod uret.
- ◆ For at montere batteriet (17), placer det som beholderen (18) på værktøjet. Dernæst placeres batteriet i holderen og skubbes på plads.
- ◆ For at fjerne batteriet, træk da batteriet ud af beholderen.
- ◆ Udskift batteridækslet ved at dreje det med uret.

### Montering af batteridækslet (fig. D)

**Advarsel!** Sæt hættten (19) på batteriet (17) ved transport og opbevaring.

## Montering og afmontering af børstehovedet (fig. E)

**Advarsel!** Fjern batteriet fra værktøjet, når der monteres og afmonteres børster.

- ◆ Skub børstesamlingen (20) mod børstehovedet (3).
- ◆ For at montere børste (4) skub det på børstehovedet.
- ◆ For at fjerne børsten, træk børsten ud fra børstehovedet.
- ◆ Frigør børstesamlingen.

## Udvidelse af børstehovedet (fig. F)

Den maksimale bredde kan opnås ved at montere forlængerrør mellem børstehovedet (3) og håndtaget (2).

### Montering af et forlængerrør

- ◆ Sæt rillen udvendig på håndtagets (2) tilkoblingsende med tungen på indersiden af tilkoblingsenden på savhovedet (6).
- ◆ Skub forlængerrøret på håndtaget.
- ◆ Skub ringen (21) ned og drej mod uret indtil det er strammet helt til.
- ◆ Sørg for at rillen på ydersiden af koblingsende på forlængerrøret (6) er lige med spændestykket på indersiden af koblingsenden af børstehovedet (3).
- ◆ Skub børstehovedet (3) ind på forlængerrøret.
- ◆ Skub ringen (22) ned og drej mod uret indtil det er strammet helt til.

### Montering af to forlængerrør

- ◆ Monter et forlængerrør som beskrevet ovenover.
- ◆ Sørg for at rillen på ydersiden af koblingsende på forlængerrøret (7) er lige med spændestykket på indersiden af koblingsenden på forlængerrøret (3).
- ◆ Skub forlængerrøret (7) på det andet forlængerrør.
- ◆ Skub ringen (22) ned og drej mod uret indtil det er strammet helt til.
- ◆ Sørg for at rillen på ydersiden af koblingsende på forlængerrøret (7) er lige med spændestykket på indersiden af koblingsenden af børstehovedet (3).
- ◆ Skub børstehovedet (3) på forlængerrøret (7).
- ◆ Skub ringen (23) ned og drej mod uret indtil det er strammet helt til.

## Anvendelse

**Advarsel!** Lad værktøjet arbejde i dets eget tempo.

Det må ikke overbelastes.

- ◆ Anvend værktøjet på en våd og sæbet overflade.
- ◆ Anvend værktøjet med 1 forlænger for kort opnåelige apparater.
- ◆ Anvend værktøjet med 2 forlængerrør ved apparater som er langt væk.
- ◆ Hvis værktøjet begynder at køre langsomt, skal belastningen reduceres.
- ◆ Hold om muligt batteriet tilsluttet opladeren og ligeledes opladeren tilsluttet strømmen, når værktøjet ikke er i brug.

## Opladning af batteriet (fig. B)

Batteriet skal oplades, før det tages i brug for første gang, og derefter skal der genoplades når maskinen virker træg og ikke længere arbejder med vanlig præstation. Når batteriet oplades for første gang eller efter en længere periode uden at være brugt, kan det kun oplades 80%. Efter adskillige opladnings- og afladningsperioder opnår batteriet fuld kapacitet. Batteriet kan blive opvarmet under opladning; dette er normalt og er ikke ensbetydende med, at der er problemer.

**Warning** Batteriet må ikke oplades i omgivelsestemperaturer på under 4 °C eller over 40 °C. Anbefalet opladningstemperatur: ca. 24 °C.

### 8-times oplader

- ◆ Oplad batteriet (17) ved at fjerne det fra værktøjet og skubbe opladerholderen (13) på plads på batteriet.
- ◆ Sæt opladeren (12) i stikkontakten.

Batteriet er fuldt opladet efter ca. 8 timer. Det kan fjernes på et hvilket som helst tidspunkt eller efterlades i den tilsluttede oplader, så længe det skal være.

### 1-times oplader

- ◆ For at oplade batteriet (17), fjernes det fra værktøjet og sættes ind i laderen (12). Batteriet kan kun sættes ind på én måde. Man må ikke tvinge det. Man skal sikre sig, at batteriet er fuldstændig indsat i laderen.
- ◆ Sæt laderen i stikkontakten.

Check, at den røde opladningsindikator (14) lyser. Hvis den grønne ende af opladningsindikatoren (15) lyser, betyder det, at batteriet er for varmt og derfor ikke kan oplades. Hvis dette sker, fjernes batteriet fra opladeren og køles ned i ca. 1 time, hvorefter det kan sættes i opladeren igen. Efter ca. 1 times opladning holder den røde opladningsindikator op med at lyse, og den grønne ende af opladningsindikatoren lyser. Batteriet er nu fuldt opladet.

- ◆ Fjern batteriet fra opladeren.

## Tænding og slukning (fig. G)

- ◆ For at tænde værktøjet, sættes tænd/sluk knappen (1) på I position.
- ◆ For at slukke værktøjet, sættes tænd/sluk knappen på O position.

## Skift af driftsmode (fig. H & I)

Værktøjet kan indstilles til pinol tilstand eller fastlåst tilstand. Pinol tilstanden gør det muligt for fri rotering af børstehovedet. Den fastlåste tilstand gør at der ikke kan roteres på børstehovedet. Børstehovedet kan fastlåses i en hvilken som helst vinkel indenfor 80° ved rotering.

- ◆ Træk låseklipsen (5) ud.
- ◆ Ved pinol tilstanden, roteres klipsen 180° til låse op symbolet.

- ◆ For den fastlåste tilstand, rotere da klipsen 180° til låse symbolet.
- ◆ Skub klipsen tilbage indtil den låses på plads.

### Anvendelse af værktøjet i pinol tilstand

- ◆ Hold værktøjet som vist på fig. J & K.

### Anvendelse af værktøjet i fastlåst tilstand

- ◆ Hold værktøjet som vist på fig. L.

### Gode råd til optimalt brug

- ◆ Anvendelse af pinol tilstanden for overflader med konture og rengøring af større områder med en bag- og forende.
- ◆ Anvend den fastlåste tilstand for aggressiv skrubning og rengøring med en side til side bevægelse.

### Rengøring, vedligeholdelse og opbevaring

Black & Decker værktøjet er designet til at være i drift i lang tid og med minimal vedligeholdelse. Forsat tilfredsstillende anvendelse afhænger af, at værktøjet behandles korrekt og gøres rent med regelmæssige mellemrum. Opladeren kræver ingen anden vedligeholdelse end regelmæssig rengøring.

**Advarsel!** Før udførelse af vedligeholdelsesopgaver på værktøjet skal batteriet fjernes. Tag opladeren ud af stikkontakten før rengøring.

### Efter brugen og inden opbevaring

**Advarsel!** Iføre dig ordentlige handsker og øjebeskyttelse, når der rengøres med værktøjet.

- ◆ Efter anvendelse, rengør forsigtigt børsterne.
- ◆ Man skal regelmæssigt gøre motorhuset rent med en fugtig klud. Man må ikke bruge slibemidler eller opløsningsmidler.
- ◆ Kontroller, at alle kontakter er fri for rester før og efter brug.

### Opbevaring

Hvis værktøjet ikke skal bruges i flere måneder, er det bedst at lade batteriet være tilsluttet opladeren.

Gør i modsat fald følgende:

- ◆ Oplad batteriet fuldstændigt.
- ◆ Fjern batteriet fra værktøjet.
- ◆ Opbevar værktøjet og batteriet tørt og sikkert. Opbevaringstemperaturen skal altid være inden for intervallet fra +5 °C til +40 °C. Sæt batteriet på en plan flade.
- ◆ Før værktøjet tages i brug igen efter længere tids opbevaring, skal batteriet oplades fuldt igen.

### Fejlfinding

Hvis værktøjet ikke fungerer korrekt, skal følgende undersøges.

Fejl	Mulig årsag	Afhjælpning
Værktøjet starter ikke.	Batteriet er ikke korrekt installeret.	Kontroller, at batteriet er installeret korrekt.
	Batteriet er afladt.	Sæt et (fuldt) opladet batteri i.
	Låseknappen er ikke aktiveret.	lagtag startproceduren.
	Poltilslutningerne er ikke fastspændt korrekt.	Kontroller tilslutningerne.
Batteriet kan ikke lades op.	Batteriet er ikke korrekt installeret.	Kontroller, at batteriet er installeret korrekt.

### Beskyttelse af miljøet



Separat indsamling. Dette produkt må ikke bortskaffes sammen med almindeligt husholdningsaffald.

Hvis du en dag skal udskifte dit Black & Decker produkt, eller hvis du ikke skal bruge det længere, må du ikke bortskaffe det sammen med husholdningsaffald. Dette produkt skal være tilgængeligt for separat indsamling.



Separat indsamling af brugte produkter og emballage gør det muligt at genbruge materialer. Genbrugte materialer forebygger miljøforurening og nedbringer behovet for råstoffer.

Lokale regler kan give mulighed for separat indsamling af elektriske husholdningsprodukter på kommunale lossepladser eller hos den forhandler, som du købte produktet af. Black & Decker har en facilitet til indsamling og genbrug af Black & Decker-produkter, når deres levetid er slut. Få fordelene ved denne service ved at returnere produktet til en autoriseret tekniker, der samler værktøj sammen på vores vegne. Du kan få oplyst den nærmeste autoriserede tekniker ved at kontakte det lokale Black & Decker-kontor på den adresse, der er angivet i denne brugsanvisning. Alternativt findes der en liste over autoriserede Black & Decker-teknikere og oplysninger om vores eftersalgsservice og kontaktpersoner på Internettet på adressen: [www.2helpU.com](http://www.2helpU.com)

### Batterier



Black & Decker batterier kan oplades mange gange. Ved endt teknisk levetid skal man kassere dem med omtanke for miljøet:

- ◆ Aflad batteriet fuldstændigt, og fjern det derefter fra værktøjet.
- ◆ NiCd- og NiMH-batterier kan genbruges. Bring dem til en autoriseret tekniker eller en lokal genbrugscentral.

**Tekniske data**

		GPC900
Spænding	$V_{DC}$	18
Ubelastet hastighed	$\text{min}^{-1}$	150
Maksimal stang længde	m	3
Vægt (uden batteri)	kg	3,25

**Batteri**

Spænding	$V_{DC}$	18
Kapacitet	Ah	1,5
Vægt	kg	0,9

**Lader**

		8 time	1 time
Spænding	$V_{AC}$	230	230
Opladningstid (ca.)	t	8	1
Vægt	kg	0,4	1,2

**EU overensstemmelseserklæring**

Black & Decker erklærer, at disse produkter er i overensstemmelse med følgende:

98/37/EF, 89/336/EØF, 73/23/EØF, EN 55014, EN 60335 & EN 61000



Kevin Hewitt

Director of Consumer Engineering  
Spennymoor, County Durham DL16 6JG,  
Storbritannien  
1-11-2006

Garantien gælder ikke for fejl og mangler, der er sket i forbindelse med:

- ◆ normal slitage
- ◆ uheldige følger efter unormal anvendelse af værktøjet
- ◆ overbelastning, hærværk eller overdrevent intensivt brug af værktøjet
- ◆ ulykkeshændelse

Garantien gælder ikke hvis reparationer er udført af nogen anden end et autoriseret Black & Decker værksted.

For at udnytte garantien skal produktet og købskvitteringen indleveres til forhandleren eller til et autoriseret værksted, senest 2 måneder efter at fejlen opdages. For information om nærmeste autoriserede værksted: kontakt det lokale Black & Decker kontor på den adresse som er opgivet i brugsanvisningen. Liste over alle autoriserede Black & Decker serviceværksteder samt servicevilkår er tilgængelig på internettet, på adressen [www.2helpU.com](http://www.2helpU.com)

Gå venligst ind på vores website [www.blackanddecker.dk](http://www.blackanddecker.dk) for at registrere dit nye produkt og for at blive holdt ajour om nye produkter og specialtilbud. Der findes yderligere oplysninger om mærket Black & Decker og vores produktsortiment på adressen [www.blackanddecker.dk](http://www.blackanddecker.dk)

**Reserve dele / reparationer**

Reserve dele kan købes hos autoriserede Black & Decker serviceværksteder, som giver forslag til omkostninger og reparerer vore produkter. Oversigt over vore autoriserede værksteder findes på internettet på vor hjemmeside [www.blackanddecker.dk](http://www.blackanddecker.dk) samt [www.2helpU.com](http://www.2helpU.com)

**Garanti**

Black & Decker garanterer, at produktet er fri for materielle skader og/eller fabrikationsfejl ved levering til kunden.

Garantien er et tillæg til konsumentens lovlige rettigheder og påvirker ikke disse. Garantien gælder indenfor medlemsstaterne af den Europæiske Union og i det Europæiske Frihandelsområde.

Hvis et Black & Decker produkt går i stykker på grund af materiel skade og/eller fabrikationsfejl eller på anden måde ikke fungerer i overensstemmelse med specifikationen, inden for 24 måneder fra købsdatoen, påtager Black & Decker sig at reparere eller ombytte produktet med mindst muligt besvær for kunden.

## Käyttötarkoitus

Black & Decker langaton harja on tarkoitettu kevyeen pintojen puhdistamiseen ja hankaukseen.  
Kone on tarkoitettu kotikäyttöön.

Black & Deckerin laturi on suunniteltu tämän työkalun mukana toimitetun Black & Decker -akun lataamiseen.

## Yleiset turvallisuutta koskevat säännöt

**Varoitus!** Kaikki ohjeet täytyy lukea. Alla olevien ohjeiden noudattamisen laiminlyönti saattaa johtaa sähköiskuun, tulipaloon ja/tai vakavaan loukkaantumiseen.

Seuraavassa käytetty käsite "sähkötyökalu" käsittää verkkokäyttöisiä sähkötyökaluja (verkkojohtolla) ja akkukäyttöisiä sähkötyökaluja (ilman verkkojohtoa).  
SÄILYTÄ NÄMÄ OHJEET HYVIN.

### 1. Työalue

#### a. Pidä työskentelyalue puhtaana ja hyvin valaistuna.

Työpaikan epäjärjestys ja valaisemattomat työalueet voivat johtaa tapaturmiin.

#### b. Älä työskentele sähkötyökalulla räjähdysalttiissa ympäristössä, jossa on palavaa nestettä, kaasua tai pölyä.

Sähkötyökalu muodostaa kipinöitä, jotka saattavat sytyttää pölyn tai höyryt.

#### c. Pidä lapset ja sivulliset loitolla sähkötyökalua käyttäessäsi.

Voit menettää laitteesi hallinnan, huomiosi suuntautuessa muualle.

### 2. Sähköturvallisuus

#### a. Sähkötyökalun pistotulpan tulee sopia pistorasiaan.

**Pistotulppaa ei saa muuttaa millään tavalla.**

**Älä käytä mitään pistorasia-adaptoreita maadoitettujen sähkötyökalujen kanssa.**

Alkuperäisessä kunnossa olevat pistotulpat ja sopivat pistorasiat vähentävät sähköiskun vaaraa.

#### b. Vältä koskettamasta maadoitettuja pintoja, kuten putkia, pattereita, liesiä tai jääkaappeja.

Sähköiskun vaara kasvaa, jos kehosi on maadoitettu.

#### c. Älä altista sähkötyökalua sateelle tai kosteudelle.

Veden tunkeutuminen sähkötyökalun sisään kasvattaa sähköiskun riskiä.

#### d. Älä käytä verkkojohtoa väärin. Älä käytä sitä sähkötyökalun kantamiseen, vetämiseen tai pistotulpan irrottamiseen pistorasiasta. Pidä johto loitolla kuumuudesta, öljystä, terävistä reunoista ja liikkuvista osista.

Vahingoittuneet tai sotkeutuneet johdot kasvattavat sähköiskun vaaraa.

#### e. Käyttäessäsi sähkötyökalua ulkona, käytä ainoastaan ulkokäyttöön soveltuva jatkajohtoa.

Ulkokäyttöön soveltuvan jatkojohdon käyttö pienentää sähköiskun vaaraa.

### 3. Henkilöturvallisuus

#### a. Ole valpas, kiinnitä huomiota työskentelyysi ja

**noudata tervettä järkeä sähkötyökalua käyttäessäsi. Älä käytä sähkötyökalua, jos olet väsynyt tai huumeiden, alkoholin tai lääkkeiden vaikutuksen alaisena.**

Hetken tarkkaamattomuus sähkötyökalua käytettäessä saattaa johtaa vakavaan loukkaantumiseen.

#### b. Käytä suojaruusteita. Käytä aina suojalaseja.

Suojaruusteet, kuten pölynsuojanaamari, luistamattomat turvajalkineet, kypärä ja kuulosuojaimet pienentävät, tilanteen mukaan oikein käytettynä, loukkaantumisriskiä.

#### c. Vältä sähkötyökalun tahatonta käynnistämistä.

**Varmista, että kytkin on off-asennossa ennen kytkennän tekemistä.**

Onnettomuusvaara lisääntyy, jos kannat sähkötyökalua sormi käyttökytkimellä tai kytket työkalun virtajohdon pistorasiaan, kun käyttökytkin on päällä.

#### d. Poista kaikki säätötyökalut ja ruuvitaltat, ennen kuin käynnistät sähkötyökalun.

Työkalu tai avain, joka sijaitsee laitteen pyörivässä osassa, saattaa johtaa loukkaantumiseen.

#### e. Älä kurkota. Seiso aina tukevasti ja tasapainossa.

Täten voit paremmin hallita sähkötyökalua odottamattomissa tilanteissa.

#### f. Käytä tarkoitukseen soveltuvia vaatteita. Älä käytä löysiä työvaatteita tai koruja. Pidä hiukset, vaatteet ja käsineet loitolla liikkuvista osista.

Väljät vaatteet, korut ja pitkät hiukset voivat takertua liikkuviin osiin.

#### g. Jos pölynimu- ja keräilylaitteita voidaan asentaa työkaluun, sinun pitää tarkistaa, että ne on liitetty ja että niitä käytetään oikealla tavalla.

Näiden laitteiden käyttö vähentää pölyn aiheuttamia vaaroja.

### 4. Sähkötyökalujen käyttö ja hoito

#### a. Älä ylikuormita laitetta. Käytä kyseiseen työhön tarkoitettua sähkötyökalua.

Sopivaa sähkötyökalua käyttäen työskentelet paremmin ja varmemmin tehoalueella, jolle sähkötyökalu on tarkoitettu.

#### b. Älä käytä sähkötyökalua, jota ei voida käynnistää ja pysäyttää virtakytkimestä.

Sähkötyökalu, jota ei enää voida käynnistää ja pysäyttää käynnistyskytkimellä, on vaarallinen ja se täytyy korjata.

#### c. Irrota pistotulppa pistorasiasta, ennen kuin suoritat säätöjä, vaihdat tarvikkeita tai siirrat sähkötyökalun varastoitavaksi.

Nämä turvatoimenpiteet pienentävät sähkötyökalun tahattoman käynnistysriskin.

- d. Säilytä sähkötyökalut poissa lasten ulottuvilta, kun niitä ei käytetä. Älä anna sellaisten henkilöiden käyttää sähkötyökalua, jotka eivät tunne sitä tai jotka eivät ole lukeneet tätä käyttöohjetta.  
Sähkötyökalut ovat vaarallisia, jos niitä käyttävät kokemattomat henkilöt.
- e. Hoida sähkötyökalusi huolella. Tarkista, että liikkuvat osat toimivat moitteettomasti, eivätkä ole puristuksessa ja että työkalussa ei ole murtuneita tai vahingoittuneita osia, jotka saattaisivat vaikuttaa haitallisesti sen toimintaan. Korjautattaa mahdolliset viat ennen käyttöönottoa.  
Moni tapaturma aiheutuu huonosti huolletuista laitteista.
- f. Pidä leikkausterät terävinä ja puhtaina.  
Huolellisesti hoidetut leikkaustyökalut, joiden leikkausreunat ovat teräviä, eivät tartu helposti kiinni ja niitä on helpompi hallita.
- g. Käytä sähkötyökaluja, tarvikkeita, vaihtotyökaluja jne. näiden ohjeiden mukaisesti ja tavalla, joka on tarkoitettu erityisesti kyseiselle sähkötyökalulle. Ota tällöin huomioon työolosuhteet ja suoritettava toimenpide.  
Sähkötyökalun käyttö muuhun kuin sille määrättyyn käyttöön, saattaa johtaa vaarallisiin tilanteisiin.
5. Akkukäyttöisten työkalujen käyttö ja hoito
- a. Varmista, että sähkötyökalu on poiskytkettyä, ennen kuin asennat akun siihen.  
Akun asennus sähkötyökaluun, jonka käynnistyskytkin on käyntiasennossa altistaa onnettomuuksille.
- b. Lataa akku vain valmistajan määrittelemässä laturissa.  
Laturi, joka soveltuu määrättyntyyppiselle akulle, saattaa muodostaa tulipalovaaran erilaista akkua ladattaessa.
- c. Käytä sähkötyökalussa ainoastaan kyseiseen sähkötyökaluun tarkoitettua akkua.  
Jonkun muun akun käyttö saattaa johtaa loukkaantumiseen ja tulipaloon.
- d. Pidä irrallista akkua loitolla metalliesineistä, kuten paperiliittimistä, kolikoista, avaimista, nauloista, ruuveista tai muista pienistä metalliesineistä, jotka voivat oikosulkea akun koskettimet.  
Akkukoskettimien välinen oikosulku saattaa aiheuttaa palovammoja tai johtaa tulipaloon.
- e. Väärästä käytöstä johtuen saattaa akusta vuotaa nestettä, jota ei tule koskettaa. Jos nestettä vahingossa joutuu iholle, huuhtelee kosketuskohta vedellä. Jos nestettä pääsee silmiin, tarvitaan tämän lisäksi lääkärin apua.  
Akusta vuotava neste saattaa aiheuttaa ärsytystä ja palovammoja.

## 6. Huolto

- a. Anna koulutettujen ammattitaitoisten henkilöiden korjata sähkötyökalusi ja hyväksy korjauksiin vain alkuperäisiä varaosia.

Täten varmistat, että sähkötyökalu säilyy turvallisena.

## Lisää turvallisuusohjeita

Käyttö, johon työkalu on tarkoitettu, on kuvailtu tässä käyttöohjeessa. Älä käytä pieniä työkaluja tai lisälaitteita raskaaseen käyttöön tarkoitettua työkalua vaativassa työssä. Työkalu suoriutuu työstä paremmin ja turvallisemmin, kun sitä käytetään nopeudella johon se on tarkoitettu. Älä yliuormita konetta. Käytä konetta ainoastaan sellaiseen työhön, johon se on tarkoitettu. Esim. älä sahaa pyörösahalla oksia tai polttopuita.

**Varoitus!** Käytä työkalua ainoastaan sellaiseen työhön, johon se on tarkoitettu, ja käytä vain käyttöohjeessa ja tuotekuvastossa suositeltuja tarvikkeita ja lisälaitteita.

Ohjeesta poikkeava käyttö voi aiheuttaa onnettomuuden. Tarkista ennen käyttöä, ettei kone tai sähköjohto ole vaurioitunut. Tarkista, etteivät liikkuvat ja muut osat sekä suoja ole viallisia, ja että kaikki muut käyttöön mahdollisesti vaikuttavat tekijät ovat kunnossa. Varmista, että kone toimii oikein ja täyttää tehtävänsä. Älä käytä konetta, jos jokin sen osista on viallinen. Älä käytä konetta, jos se ei käynnisty ja pysähdy virrannatkaisijasta. Viallinen osa tulee korjata tai vaihtaa valtuutetussa Black & Deckerin huoltoliikkeessä. Älä koskaan yritä korjata konetta itse.

## Harjojen lisäturvaohjeet

- ◆ Puhdista ja tarkista onko harjaan tarttunut roskaa ennen käyttöä.
- ◆ Älä käytä hankaamiseen liuottimia, happoja, emäksiä, myrkyä, öljyä, palavia nesteitä tai vastaavia tuotteita.
- ◆ Pysy aina poissa puhdistuksen tieltä.
- ◆ Seiso aina tukevasti ja tasapainossa.
- ◆ Käytä kuulosuojaimia, jos melutaso tuntuu epämukavalta.
- ◆ Pitele työkalua tiukasti molemmin käsin, kun moottori on käynnissä.
- ◆ Irrota aina akku laitteesta varastoinnin ja kuljetuksen ajaksi.
- ◆ Käytä vain alkuperäisiä varaosia ja tarvikkeita.
- ◆ Älä koskaan seiso suoraan puhdistettavan alueen alapuolella.
- ◆ Älä koskaan käytä laitetta tikapuilla tai muulla huteralla alustalla.
- ◆ Älä nosta konetta olkapäiden yläpuolella.

## Varoitusmerkit

Koneessa on seuraavat varoitusmerkit:





Lue käyttöohje huolellisesti ennen käyttöä.



Pidä sivulliset loitolla.



Käytä silmäsuojaimia.



Älä polta akkuja.



Sähköiskun vaara. Pysyttele vähintään 10 m:n päässä ilmajohtoista.



Suosittelaa käytettäväksi useimpien maalattujen pintojen kanssa.



Ei suositellaan käytettäväksi maalattujen pintojen kanssa.

## Lisäturvaohjeet akuille ja latureille

### Akut

- ◆ Älä koskaan yritä avata akkua.
- ◆ Älä altista akkua vedelle.
- ◆ Älä säilytä akkua paikassa, jonka lämpötila ylittää +40 °C.
- ◆ Lataa akku ainoastaan lämpötilan ollessa 4 °C - +40 °C.
- ◆ Lataa akku käyttäen ainoastaan laitteen mukana toimitettua laturia.
- ◆ Kun poistat akun käytöstä, noudata kappaleessa "Ympäristönsuojelu" annettuja ohjeita.

### Laturit

- ◆ Käytä Black & Decker -laturia ainoastaan laitteen mukana toimitetun akun lataamiseen. Muunlaiset akut saattavat räjähtää aiheuttaen henkilö- ja esinevahinkoja.
- ◆ Älä koskaan yritä ladata ei-ladattavia paristoja.
- ◆ Vaihda vialliset johdot välittömästi.
- ◆ Älä altista laturia vedelle.
- ◆ Älä avaa laturia.
- ◆ Älä vahingoita laturia.



Laturi on tarkoitettu vain sisäkäyttöön.



Erotusmuuntaja on vian sattuessa turvallinen. Virtalähde on sähköisesti erillään muuntajan ulostulosta.

130°C

Kun ympäristön lämpötila kohoaa liian korkeaksi, laturi kytkeytyy automaattisesti pois päältä. Tällöin laturi ei toimi. Laturi on irrotettava verkkovirrasta ja vietävä valtuutettuun huoltokeskukseen korjattavaksi.



Lue käyttöohje huolellisesti ennen käyttöä.

## Sähköturvallisuus



Laturi on kaksoiseristetty; siksi erillistä maadoitusta ei tarvita. Tarkista aina ennen laitteen käyttöä, että verkkojännite vastaa arvokilvessä ilmoitettua jännitettä.

- ◆ **Varoitus!** Älä koskaan yritä vaihtaa laturia normaaliin verkkovirtapistokkeeseen.
- ◆ Jos sähköjohto on vaurioitunut, se saadaan vaihtaa vain valtuutetussa Black & Deckerin huoltoliikkeessä vaaratilanteiden välttämiseksi.

## Ominaisuudet

1. Virrankatkaisija
2. Pääkädensija
3. Harjan pää
4. Harja
5. Harjan pään lukitsin
6. Jatkoputki (oranssi)
7. Jatkoputki (vihreä)
8. Akun kotelo

## Kuva A

9. Pehmeä harja, 20 cm
10. Kova harja, 20 cm
11. Kova harja, 10 cm

## Kuva B

12. Laturi
13. Laturiliitäntä
14. Latausvalo - lataus käynnissä
15. Latausvalo - akku täynnä

## Kokoaminen

**Varoitus!** Poista akku koneesta aina ennen kokoamista.

## Akun kiinnittäminen ja poistaminen (kuva C)

- ◆ Avaa akun kotelo (8) pyörittämällä akun kantta (16) vastapäivään.
- ◆ Kiinnitä akku (17) asettamalla se koneen liitännän (18) kanssa samaan linjaan. Liu'uta akkua liitännään, kunnes se lukittuu paikalleen.
- ◆ Irrota akku vetämällä se irti liitännästä.
- ◆ Laita akun kansi paikoilleen pyörittämällä myötäpäivään.

**Akun kannen kiinnittäminen (kuva D)**

**Varoitus!** Kiinnitä kansi (19) akkuun (17) kuljetusta ja säilytystä varten.

**Harjan pään kiinnitys ja poisto (kuva E)**

**Varoitus!** Irrota akku laitteesta kun kiinnität tai poistat harjoja.

- ◆ Paina harjan liitin (20) harjan päätä (3) vasten.
- ◆ Kiinnitä harja (4) työntämällä se harjan päähän.
- ◆ Irrota harja vetämällä se irti harjan päästä.
- ◆ Vapauta harjan liitin.

**Harjan pään jatkaminen (kuva F)**

Suurin mahdollinen ulottuvuus saadaan liittämällä jatkoputket harjan pään (3) ja kahvan (3) väliin.

**Yhden jatkoputken liittäminen**

- ◆ Kohdista kädensijan liitospään (2) ulkopuolella oleva ura jatkoputken liitospuolen sisäpuolella olevan kielekkeen (6) kanssa.
- ◆ Työnnä jatkoputki kädensijaan.
- ◆ Liu'uta kiinnityskaulus (21) alas ja kierrä sitä myötäpäivään, kunnes se on hyvin kiinni.
- ◆ Kohdista jatkoputken liitospään (6) ulkopuolella oleva ura harjan pään liitospuolen sisäpuolella olevan kielekkeen (3) kanssa.
- ◆ Työnnä harjan pää (3) jatkoputkeen.
- ◆ Liu'uta kiinnityskaulus (22) alas ja kierrä sitä myötäpäivään, kunnes se on hyvin kiinni.

**Kahden jatkoputken liittäminen**

- ◆ Liitä yksi jatkoputki kuten edellä on selostettu.
- ◆ Kohdista kädensijan liitospään (7) ulkopuolella oleva ura harjan pään liitospuolen (6) sisäpuolella olevan kielekkeen kanssa.
- ◆ Työnnä jatkoputki (7) toiseen jatkoputkeen.
- ◆ Liu'uta kiinnityskaulus (22) alas ja kierrä sitä myötäpäivään, kunnes se on hyvin kiinni.
- ◆ Kohdista jatkoputken liitospään (7) ulkopuolella oleva ura harjan pään liitospuolen sisäpuolella olevan kielekkeen (3) kanssa.
- ◆ Työnnä harjan pää (3) jatkoputkeen (7).
- ◆ Liu'uta kiinnityskaulus (23) alas ja kierrä sitä myötäpäivään, kunnes se on hyvin kiinni.

**Käyttö**

**Varoitus!** Anna koneen käydä omaan tahtiinsa.

Älä ylikuormita sitä.

- ◆ Käytä laitetta märillä tai saippuoiduilla pinnoilla.
- ◆ Käytä laitetta yhden jatkoputken kanssa kun tarvitset ulottuvuutta lähelle.
- ◆ Käytä laitetta kahden jatkoputken kanssa kun tarvitset ulottuvuutta kauas.
- ◆ Jos kone alkaa käydä hitaasti, vähennä kuormitusta.

- ◆ Pidä akku liitettynä laturiin ja laturi kytkettynä virtalähteeseen aina, kun kone ei ole käytössä.

**Akun lataaminen (kuva B)**

Akku tulee ladata ennen ensimmäistä käyttökertaa ja aina silloin, kun se ei enää tuota riittävästi virtaa toimintoihin, jotka aikaisemmin hoituivat helposti. Ladatessasi akku ensimmäistä kertaa tai pitkäaikaisen säilytyksen jälkeen, latautuu se vain 80 %:sesti. Usean lataamis- ja tyhjentyiskerran jälkeen akku saavuttaa täyden kapasiteettinsa.

Akku voi lämmetä ladattaessa; tämä on normaalia eikä ole merkinä minkäänlaisesta ongelmasta.

**Varoitus!** Älä lataa akkua alle +4 °C tai yli +40 °C asteen lämpötiloissa. Suositeltu lämpötila lataamiseen on noin +24 °C.

**8 tunnin laturi**

- ◆ Ladataksesi akun (17) poista se koneesta ja työnnä laturiliitäntä (13) akkuun.
- ◆ Liitä laturi (12) virtalähteeseen.

Akku on latautunut täyteen noin 8 tunnissa. Se voidaan poistaa koska tahansa tai jättää laturiin määräämättömäksi ajaksi.

**1 tunnin laturi**

- ◆ Akun (17) lataamiseksi poista se koneesta ja aseta se laturiin (12). Akku sopii laturiin vain yhdessä asennossa. Älä laita sitä laturiin väkisin. Varmista, että akku on kunnolla laturissa.
- ◆ Liitä laturi virtalähteeseen.

Tarkista, että punainen latausvalo (14) palaa. Mikäli vihreä latausvalo (15) palaa punaisen sijasta, akku on liian kuuma, eikä sitä voi ladata. Jos näin tapahtuu, poista akku laturista, anna sen jäähtyä noin tunnin ajan ja aseta se sitten takaisin. Noin tunnin lataamisen jälkeen punainen latausvalo sammuu ja vihreä latausvalo syttyy. Akku on nyt latautunut täyteen.

- ◆ Poista akku laturista.

**Käynnistys ja pysäytys (kuva G)**

- ◆ Käynnistä kone painamalla virrankatkaisija (1) asentoon I.
- ◆ Sammuta kone painamalla virrankatkaisija asentoon O.

**Toimintatilan valitseminen (kuva H & I)**

Laitetta voidaan käyttää sekä vapaassa että kiinteässä tilassa. Vapaassa tilassa harjan pää pääsee pyörimään vapaasti. Kiinteässä tilassa harjan pään pyörimistä on rajoitettu. Harjan pää voidaan kiinnittää mihin tahansa kulmaan 80° alueella.

- ◆ Vedä lukitsin (5) irti.
- ◆ Käännä lukitsinta 180° vapaan tilan merkin valitsemiseksi.
- ◆ Käännä lukitsinta 180° lukitun tilan merkin valitsemiseksi.
- ◆ Työnnä lukitsinta kunnes se lukittuu paikalleen.

**Laitteen käyttö vapaassa tilassa**

- ◆ Pidä konetta kuten kuvassa J & K.

## Laitteen käyttö lukitussa tilassa

- ◆ Pidä konetta kuten kuvassa L.

## Vinkkejä parhaimman tuloksen saamiseksi

- ◆ Käytä vapaata tilaa epätasaisen pinnan ja isojen alueiden puhdistukseen edestakaisella liikkellä.
- ◆ Käytä lukittua tilaa voimakkaaseen hankaukseen ja puhdistukseen sivuttaisella liikkellä.

## Puhdistaminen, huolto ja varastointi

Black & Deckerin työkalu on suunniteltu toimimaan mahdollisimman pitkän aikaa mahdollisimman vähällä huollolla. Asianmukainen käyttö ja säännönmukainen puhdistus takaavat koneen jatkuvan tyydyttävän toiminnan. Laturi ei tarvitse säännöllisen puhdistamisen lisäksi minkään muunlaista huoltoa.

**Varoitus!** Poista akku ennen työkalun huoltamista. Irrota laturi virtalähteestä ennen puhdistamista.

## Käytön jälkeen ja ennen varastointia

**Varoitus!** Käytä kunnollisia käsiineitä ja silmäsuojuksia, kun puhdistat työkalua.

- ◆ Puhdista harjat hyvin käytön jälkeen.
- ◆ Puhdista työkalun kuori säännöllisesti kostealla siivousliinalla. Älä koskaan käytä puhdistamiseen liuotainaineita tai syövyttäviä puhdistusaineita.
- ◆ Varmista, ettei kytkimissä ole roskia ennen käyttöä tai sen jälkeen.

## Säilytys

Jos konetta ei aiota käyttää useampaan kuukauteen, akun tulee olla liitettynä laturiin.

Noudata muussa tapauksessa seuraavia ohjeita:

- ◆ Lataa akku täyteen.
- ◆ Poista akku koneesta.
- ◆ Säilytä konetta ja akkua turvallisessa ja kuivassa paikassa. Säilytyspaikan lämpötilan täytyy aina olla +5 °C - +40 °C. Aseta akku tasaiselle alustalle.
- ◆ Lataa akku täyteen ennen kuin käytät konetta pitkäaikaisen säilytyksen jälkeen.

## Vianmääritys

Jos työkalu ei toimi oikein, tarkista seuraavat seikat.

Vika	Mahdollinen syy	Toimenpide
Työkalu ei käynnisty.	Akkua ei ole asennettu oikein.	Tarkista akun asennus.
	Akku on tyhjentynyt.	Asenna (täyteen) ladattu akku.
	Lukituspainiketta ei ole painettu.	Kiinnitä huomiota käynnistystoimenpiteeseen.
	Napaliitäntöjä ei ole kiristetty kunnolla.	Tarkasta liitännät.
Akku ei lataa.	Akkua ei ole asennettu oikein.	Tarkista akun asennus.

## Ympäristö



Erillinen keräys. Tätä tuotetta ei saa hävittää normaalin kotitalousjätteen kanssa.

Kun Black & Decker -koneesi on käytetty loppuun, älä hävitä sitä kotitalousjätteen mukana. Tämä tuote on kerättävä erikseen.



Käytettyjen tuotteiden ja pakkausten erillinen keräys mahdollistaa materiaalin kierrätyksen ja uudelleenkäytön. Kierrätettyjen materiaalien uudelleenkäyttö auttaa ehkäisemään ympäristön saastumisen ja vähentää raaka-aineiden kysyntää.

Paikallisten säännösten mukaisesti on mahdollista viedä kotitalouksien sähkölaitteet kuntien kaatopaikoille tai jättää ne vähittäismyymälälle ostettaessa uusi tuote.

Black & Decker tarjoaa mahdollisuuden Black & Decker -tuotteiden keräykseen ja kierrätykseen sen jälkeen, kun ne on poistettu käytöstä. Jotta voisit hyötyä tästä palvelusta, palauta laitteesi johonkin valtuutettuun huoltoliikkeeseen, joka kerää laitteet meidän puolestamme.

Voit tarkistaa lähimmän valtuutetun huoltoliikkeen sijainnin ottamalla yhteyden Black & Deckerin toimistoon, joka sijaitsee tässä käsikirjassa annetussa osoitteessa. Lista valtuutetuista Black & Decker -huoltoliikkeistä sekä yksityiskohtaiset tiedot korjauspalvelustamme ovat vaihtoehtoisesti saatavilla Internetissä, osoitteessa [www.2helpU.com](http://www.2helpU.com)

## Akut



Black & Deckerin akut voidaan ladata useaan kertaan. Vie loppuunkäytetyt akut niille tarkoitettuun keräyspaikkaan tai -astiaan:

- ◆ Käytä akku täysin loppuun ja poista se sitten työkalusta.
- ◆ NiCd- ja NiMH-akut ovat kierrätettäviä. Voit viedä ne mihin tahansa valtuutettuun huoltoliikkeeseen tai paikalliseen kierrätyskeskukseen. Kerätyt akut toimitetaan kierrätykseen tai käsitellään asianmukaisesti.

**Tekniset tiedot**

	<b>GPC900</b>	
Jännite	$V_{DC}$	18
Kuormittamaton nopeus	$min^{-1}$	150
Max. tangon pituus	m	3
Paino (ilman akkua)	kg	3,25

**Akku**

Jännite	$V_{DC}$	18
Teho	Ah	1,5
Paino	kg	0,9

**Laturi**

	<b>8 tunti</b>	<b>1 tunti</b>
Jännite	$V_{AC}$ 230	230
Latausaika (noin)	h 8	1
Paino	kg 0,4	1,2

**EU:n yhdenmukaisuusilmoitus**

Black & Decker vakuuttaa näiden tuotteiden olevan seuraavien standardien vaatimusten mukaisia:

98/37/EC, 89/336/EEC, 73/23/EEC, EN 55014, EN 60335 & EN 61000



Kevin Hewitt

Director of Consumer Engineering  
Spennymoor, County Durham DL16 6JG,  
Iso-Britannia  
1-11-2006

**Takuu**

Black & Decker Oy takaa, ettei koneessa ollut materiaali- ja/tai valmistusvikaa silloin, kun se toimitettiin ostajalle. Takuu on lisäys kuluttajan laillisiin oikeuksiin eikä vaikuta mihinkin.

Takuu on voimassa Euroopan Unionin jäsenmaissa ja Euroopan vapaakauppa-alueella (EFTA).

Mikäli Black & Decker -kone hajoaa materiaali- ja/tai valmistusvirheen tai teknisten tietojen epätarkkuuden vuoksi 24 kk:n kuluessa ostopäivästä, Black & Decker korjaa koneen ilman kustannuksia ostajalle tai vaihtaa sen uuteen Black & Decker Oy:n valinnan mukaan.

Takuu ei kata vikoja, jotka johtuvat koneen

- ◆ normaalista kulumisesta
- ◆ ylikuormituksesta, virheellisestä käytöstä tai hoidosta
- ◆ vahingoittamisesta vieraalla esineellä tai aineella tai onnettomuustapauksessa.

Takuu ei ole voimassa, mikäli konetta on korjannut joku muu kuin Black & Deckerin valtuuttama huoltoliike.

Edellytyksenä takuun saamiselle on, että ostaja jättää koneen ja ostokuitin jälleenmyyjälle tai

valtuutetulle huoltoliikkeelle viimeistään 2 kuukauden kuluessa vian ilmenemisestä. Tiedot valtuutetuista huoltoliikkeistä saa ottamalla yhteyttä Black & Decker Oy:hyn sekä internetistä osoitteesta [www.2helpU.com](http://www.2helpU.com), jossa on myös takuuehdot.

Voit vieraila verkkosivullamme [www.blackanddecker.fi](http://www.blackanddecker.fi) rekisteröidäksesi uuden Black & Decker-tuotteesi ja saadaaksesi tietoa uusista tuotteista ja erikoistarjouksista.

Saat lisätietoja Black & Deckerin tavaramerkistä ja tuotevalikoimastamme osoitteesta [www.blackanddecker.fi](http://www.blackanddecker.fi)

**Korjaukset / varaosat**

Mikäli koneeseen tulee vikaa, jätä se aina Black & Deckerin valtuuttamaan huoltoliikkeeseen korjattavaksi (tiedot löytyvät uusimmasta tuoteluettelostamme tai ottamalla yhteyttä Black & Decker Oy:hyn). Varaosia myyvät valtuutetut Black & Deckerin huoltoliikkeet, ja heiltä voi myös pyytää kustannusarvion koneen korjauksesta.

Tiedot valtuutetuista huoltoliikkeistä löytyvät myös internetistä osoitteesta [www.2helpU.com](http://www.2helpU.com) sekä kotisivuiltamme

[www.blackanddecker.fi](http://www.blackanddecker.fi)

## Ενδεδειγμένη χρήση

Ο ασύρματος τριβέας σας Black & Decker έχει σχεδιαστεί για τον ελαφρό καθαρισμό και τριβή επιφανειών. Αυτό το εργαλείο προορίζεται μόνο για ερασιτεχνική χρήση. Ο φορτιστής της Black & Decker έχει σχεδιαστεί για να φορτίζει μπαταρίες Black & Decker του τύπου που παρέχονται με αυτό το εργαλείο.

## Γενικοί κανόνες ασφαλείας

**Προειδοποίηση!** Διαβάστε όλες τις υποδείξεις. Η μη τήρηση όλων των παρακάτω υποδείξεων μπορεί να προκαλέσει ηλεκτροπληξία, πυρκαγιά ή/και σοβαρούς τραυματισμούς. Ο χαρακτηρισμός "ηλεκτρικό εργαλείο" που χρησιμοποιείται στις παρακάτω προειδοποιητικές υποδείξεις αφορά ή το εργαλείο που συνδέεται στην πρίζα (με καλώδιο) ή το εργαλείο που λειτουργεί με μπαταρία (χωρίς καλώδιο). ΦΥΛΑΞΤΕ ΑΥΤΕΣ ΤΙΣ ΟΔΗΓΙΕΣ.

### 1. Χώρος εργασίας

- a. Διατηρείτε το χώρο που εργάζεστε καθαρό και καλά φωτισμένο.

Η αταξία στο χώρο που εργάζεστε και τα σημεία χωρίς καλό φωτισμό μπορεί να οδηγήσουν σε ατυχήματα.

- b. Μη χρησιμοποιείτε τα ηλεκτρικά εργαλεία σε περιβάλλον όπου υπάρχει κίνδυνος έκρηξης, π.χ. παρουσία εύφλεκτων υγρών, αερίων ή σκόνης.

Τα ηλεκτρικά εργαλεία μπορεί να δημιουργήσουν σπινθηρισμό ο οποίος μπορεί να αναφλέξει τη σκόνη ή τις αναθυμιάσεις.

- c. Όταν χρησιμοποιείτε το ηλεκτρικό εργαλείο, κρατάτε τα παιδιά και τα υπόλοιπα άτομα μακριά από το χώρο που εργάζεστε.

Σε περίπτωση που άλλα άτομα αποσπάσουν την προσοχή σας μπορεί να χάσετε τον έλεγχο του μηχανήματος.

### 2. Ηλεκτρική ασφάλεια

- a. Το φως του καλωδίου του ηλεκτρικού εργαλείου πρέπει να ταιριάζει στην αντίστοιχη πρίζα. Δεν επιτρέπεται με κανένα τρόπο η μετασκευή του φως. Μη χρησιμοποιείτε προσαρμοστικά φως στα γειωμένα ηλεκτρικά εργαλεία.

Τα φως που δεν έχουν υποστεί τροποποιήσεις και οι κατάλληλες πρίζες μειώνουν τον κίνδυνο ηλεκτροπληξίας.

- b. Αποφύγετε την επαφή του σώματός σας με γειωμένες επιφάνειες όπως σωλήνες, θερμαντικά σώματα (καλοριφέρ), κουζίνες και φυγεία.

Όταν το σώμα σας είναι γειωμένο, αυξάνεται ο κίνδυνος ηλεκτροπληξίας.

- c. Μην εκθέτετε το ηλεκτρικό εργαλείο στη βροχή ή την υγρασία.

Η διεύθυνση νερού στο ηλεκτρικό εργαλείο αυξάνει τον κίνδυνο ηλεκτροπληξίας.

- d. Μην κακομεταχειρίζεστε το καλώδιο.

Μη χρησιμοποιήσετε ποτέ το καλώδιο για να μεταφέρετε, να τραβήξετε ή να αποσυνδέσετε το εργαλείο από την πρίζα. Κρατάτε το καλώδιο μακριά από υψηλές θερμοκρασίες, λάδια, κοφτερές ακμές ή κινούμενα εξαρτήματα.

Τυχόν χαλασμένα ή μπερδεμένα καλώδια αυξάνουν τον κίνδυνο ηλεκτροπληξίας.

- e. Όταν χρησιμοποιείτε το ηλεκτρικό εργαλείο σε εξωτερικούς χώρους, να χρησιμοποιείτε πάντοτε προεκτάσεις (μπαλαντζές) που έχουν εγκριθεί για χρήση σε εξωτερικούς χώρους.

Η χρήση προεκτάσεων εγκεκριμένων για εργασία σε εξωτερικούς χώρους μειώνει τον κίνδυνο ηλεκτροπληξίας.

### 3. Ασφάλεια προσώπων

- a. Όταν χρησιμοποιείτε το ηλεκτρικό εργαλείο, να είστε προσεκτικοί, να δίνετε προσοχή στην εργασία που κάνετε και να επιστρατεύετε την κοινή λογική. Μη χρησιμοποιείτε το ηλεκτρικό εργαλείο όταν είστε κουρασμένοι ή όταν βρίσκεστε υπό την επήρεια ναρκωτικών, οινοπνεύματος ή φαρμάκων.

Μια στιγμήα απροσεξία κατά το χειρισμό του ηλεκτρικού εργαλείου μπορεί να οδηγήσει σε σοβαρούς τραυματισμούς.

- b. Να χρησιμοποιείτε εξοπλισμό ασφαλείας. Να φοράτε πάντα προστατευτικά γυαλιά.

Ο κίνδυνος τραυματισμών μειώνεται όταν χρησιμοποιείτε εξοπλισμό ασφαλείας, όπως μάσκα προστασίας από σκόνη, αντλιοσθητικά παπούτσια ασφαλείας, κράνη ή ιασιπίδες, ανάλογα με τις συνθήκες εργασίας.

- c. Αποφύγετε την αθέλητη θέση σε λειτουργία του ηλεκτρικού εργαλείου. Βεβαιωθείτε, ότι ο διακόπτης λειτουργίας βρίσκεται στη θέση "OFF" πριν συνδέσετε το ηλεκτρικό εργαλείο στην πρίζα.

Αν μεταφέρετε το ηλεκτρικό εργαλείο έχοντας το δάκτυλό σας πάνω στο διακόπτη λειτουργίας ή αν συνδέσετε το ηλεκτρικό εργαλείο στην πρίζα όταν ο διακόπτης λειτουργίας βρίσκεται στη θέση "ON", αυτό μπορεί να οδηγήσει σε σοβαρούς τραυματισμούς.

- d. Πριν θέσετε το ηλεκτρικό εργαλείο σε λειτουργία, αφαιρέστε τυχόν εργαλεία ή κλειδιά ρύθμισης.

Ένα εργαλείο ή κλειδί συναρμολογημένο στο περιστρεφόμενο εξάρτημα ενός ηλεκτρικού εργαλείου μπορεί να προκαλέσει τραυματισμούς.

- e. Μην τεντώνετε. Φροντίστε πάντοτε να έχετε την κατάλληλη στάση και να διατηρείτε την ισορροπία σας.

Αυτό σας επιτρέπει τον καλύτερο έλεγχο του ηλεκτρικού εργαλείου σε περιπτώσεις απροσδόκων καταστάσεων.

- f. Φοράτε κατάλληλη ενδυμασία εργασίας. Μη φοράτε φαρδιά ρούχα ή κοσμήματα. Κρατάτε τα μαλλιά, τα ενδύματα και τα γάντια σας μακριά από τα κινούμενα εξαρτήματα.

Τα φαρδιά ρούχα, τα κοσμήματα και τα μακριά μαλλιά μπορεί να εμπλακούν στα κινούμενα εξαρτήματα.

- g. Αν προβλέπονται διατάξεις απαγωγής και συλλογής της σκόνης, βεβαιωθείτε ότι είναι συνδεδεμένες και ότι χρησιμοποιούνται σωστά.

Η χρήση τέτοιων διατάξεων μειώνει τους κινδύνους που προέρχονται από τη σκόνη.

#### 4. Χρήση και συντήρηση του ηλεκτρικού εργαλείου

- a. Μην υπερφορτώνετε το ηλεκτρικό εργαλείο.

Χρησιμοποιείτε για την εκάστοτε εργασία σας το ηλεκτρικό εργαλείο που προορίζεται γι' αυτήν.

Με το κατάλληλο ηλεκτρικό εργαλείο εργάζεσθε καλύτερα και ασφαλέστερα στην ονομαστική περιοχή ισχύος του.

- b. Μη χρησιμοποιήσετε ποτέ ένα ηλεκτρικό εργαλείο του οποίου ο διακόπτης λειτουργίας είναι χαλασμένος.

Ένα ηλεκτρικό εργαλείο του οποίου η λειτουργία δεν μπορεί να ελεγχθεί με το διακόπτη είναι επικίνδυνο και πρέπει να επισκευαστεί.

- c. Βγάλτε το φως από την πρίζα πριν διεξάγετε κάποια εργασία ρύθμισης στο ηλεκτρικό εργαλείο, πριν αλλάξετε κάποιο εξάρτημα ή όταν πρόκειται να το αποθηκεύσετε.

Αυτά τα προληπτικά μέτρα ασφαλείας μειώνουν τον κίνδυνο να τεθεί το μηχάνημα αθέλητα σε λειτουργία.

- d. Να φυλάτε τα ηλεκτρικά εργαλεία που δεν χρησιμοποιείτε μακριά από παιδιά. Μην αφήνετε άτομα που δεν είναι εξοικειωμένα με το ηλεκτρικό εργαλείο ή που δεν έχουν διαβάσει αυτές τις οδηγίες χρήσης να το χρησιμοποιήσουν.

Τα ηλεκτρικά εργαλεία είναι επικίνδυνα όταν χρησιμοποιούνται από άπειρα άτομα.

- e. Να συντηρείτε τα ηλεκτρικά εργαλεία. Ελέγξτε εάν τα κινούμενα μέρη είναι σωστά ευθυγραμμισμένα ή αν έχουν μπλοκάρει, εάν έχουν σπάσει κομμάτια και εάν πληρούνται όλες οι υπόλοιπες συνθήκες που ενδεχομένως να επηρεάσουν τη σωστή λειτουργία του εργαλείου. Δώστε τυχόν χαλασμένα εξαρτήματα του ηλεκτρικού εργαλείου για επισκευή πριν το χρησιμοποιήσετε πάλι.

Η ανεπαρκής συντήρηση των ηλεκτρικών εργαλείων αποτελεί αιτία πολλών ατυχημάτων.

- f. Διατηρείτε τα κοπτικά εργαλεία κοφτερά και καθαρά.

Τα κοπτικά εργαλεία με αιχμηρά κοπτικά άκρα που συντηρούνται σωστά έχουν λιγότερες πιθανότητες να μπλοκάρουν και ελέγχονται ευκολότερα.

- g. Να χρησιμοποιείτε τα ηλεκτρικά εργαλεία, τα εξαρτήματα και τα άκρα των εργαλείων κλπ σύμφωνα με τις παρούσες οδηγίες καθώς και όπως προβλέπεται για τον κάθε τύπο μηχανήματος, λαμβάνοντας υπόψη σας τις συνθήκες εργασίας και την εργασία που θέλετε να εκτελέσετε.

Η χρήση του ηλεκτρικού εργαλείου για άλλες εκτός από τις προβλεπόμενες εργασίες μπορεί να δημιουργήσει επικίνδυνες καταστάσεις.

#### 5. Χρήση και συντήρηση του εργαλείου μπαταρίας

- a. Πριν τοποθετήσετε τη μπαταρία βεβαιωθείτε ότι ο διακόπτης λειτουργίας βρίσκεται στη θέση "OFF".

Η τοποθέτηση της μπαταρίας στο ηλεκτρικό εργαλείο όταν ο διακόπτης λειτουργίας βρίσκεται στη θέση "ON" μπορεί να οδηγήσει σε ατυχήματα.

- b. Να επαναφορτίζετε τις μπαταρίες μόνο με το φορτιστή που προβλέπει ο κατασκευαστής.

Ένας φορτιστής που είναι κατάλληλος για έναν τύπο μπαταρίας μπορεί να προκαλέσει πυρκαγιά όταν χρησιμοποιηθεί για τη φόρτιση κάποιου άλλου τύπου μπαταρίας.

- c. Να χρησιμοποιείτε τα ηλεκτρικά εργαλεία μόνο με τις προβλεπόμενες γι' αυτά μπαταρίες.

Η χρήση μπαταριών διαφορετικού τύπου μπορεί να οδηγήσει σε τραυματισμούς ή πυρκαγιά.

- d. Να φυλάτε τις μπαταρίες που δεν χρησιμοποιείτε μακριά από μεταλλικά αντικείμενα, όπως συνδετήρες χαρτιών, νομίσματα, κλειδιά, καρφιά, βίδες κι άλλα παρόμοια μικροαντικείμενα, τα οποία θα μπορούσαν να γεφυρώσουν τους δυο πόλους.

Τυχόν βραχυκύκλωση των πόλων της μπαταρίας μπορεί να προκαλέσει εγκαύματα ή πυρκαγιά.

- e. Υπό δυσμενείς συνθήκες λειτουργίας μπορεί να διαρρέουν υγρά από τη μπαταρία. Αποφεύγετε κάθε επαφή με μια μη στεγανή μπαταρία.

Σε περίπτωση ακούσιας επαφής με τα υγρά, ξεπλύνετε αμέσως με νερό. Εκτός από αυτό, αν τα υγρά διεισδύσουν στα μάτια σας, επισκεφτείτε χωρίς καθυστέρηση ένα γιατρό.

Τα διαρρέοντα υγρά των μπαταριών μπορεί να προκαλέσουν ερεθισμούς ή και εγκαύματα.

#### 6. Σέρβις

- a. Το σέρβις του ηλεκτρικού σας εργαλείου πρέπει να αναλαμβάνει έμπειρος τεχνικός που θα χρησιμοποιεί μόνο γνήσια ανταλλακτικά.

Έτσι εξασφαλίζεται η διατήρηση της ασφάλειας του ηλεκτρικού εργαλείου.

## Συμπληρωματικές οδηγίες ασφαλείας

Η ενδεξιμένη χρήση της μηχανής αναφέρεται σε αυτές τις οδηγίες χρήσεως. Μη χρησιμοποιείτε εργαλεία χαμηλής ισχύος ή προσθήκες για βαριές εργασίες. Το εργαλείο σας θα λειτουργήσει επιτυχέστερα και ασφαλέστερα εάν χρησιμοποιηθεί σύμφωνα με της προδιαγραφές του. Μη ζορίζετε το εργαλείο. Μη χρησιμοποιείτε το εργαλείο σε εργασίες για τις οποίες δεν είναι κατάλληλα. Για παράδειγμα, μη χρησιμοποιείτε δισκοπρίονο για να κόψετε κλαδιά ή κορμούς δέντρων.

**Προειδοποίηση!** Τόσο η χρήση εξαρτημάτων ή προσθηκών όσο και η πραγματοποίηση εργασιών που δεν συνιστώνται στις οδηγίες αυτές εγκυμονεί κίνδυνο τραυματισμού.

Πριν από τη χρήση, ελέγξτε προσεκτικά το εργαλείο και το καλώδιο τροφοδοσίας για τυχόν ζημιές. Ελέγξτε για τυχόν κακή ευθυγράμμιση και εμπλοκή των κινουμένων μερών, για εξαρτήματα που έχουν σπάσει, για τυχόν ζημιές στους προφυλακτήρες και στους διακόπτες και γενικά για κάθε είδους συνθήκες οι οποίες ενδεχομένως να επηρεάσουν τη λειτουργία του μηχανήματος. Βεβαιωθείτε ότι το εργαλείο λειτουργεί κανονικά και χρησιμοποιείται για το σκοπό για τον οποίο προορίζεται. Μη χρησιμοποιείτε το εργαλείο αν κάποιο εξάρτημά του παρουσιάζει ελάττωμα. Μη χρησιμοποιείτε το εργαλείο, εάν ο διακόπτης δεν μπορεί να το θέσει εντός ή εκτός λειτουργίας. Ζητήστε από εξουσιοδοτημένο συνεργείο σέρβις την επισκευή ή την αντικατάσταση όλων των φθαρμένων ή ελαττωματικών εξαρτημάτων. Ποτέ μην επιχειρήσετε να επισκευάσετε οι ίδιοι το μηχανήμα.

## Συμπληρωματικές οδηγίες ασφαλείας για τη τριβή.

- Πριν από τη χρήση, καθαρίστε και επιθεωρήστε τη βούρτσα για σκουπίδια.
- Μην τρίβετε με διαλυτικά, οξέα, καυστικά, δηλητήρια, λάδια, εύφλεκτα υλικά ή παρόμοια προϊόντα.
- Τοποθετήστε πάντα τον εαυτό σας μακριά από το σημείο καθαρισμού.
- Φροντίστε πάντοτε να έχετε την κατάλληλη στάση και να διατηρείτε την ισορροπία σας.
- Φοράτε ωσασπίδες σε περιπτώσεις που η στάθμη του θορύβου σας προκαλεί δυσφορία.
- Να κρατάτε το εργαλείο γερά και με τα δύο χέρια όταν λειτουργεί το μοτέρ.
- Αφαιρέστε πάντα τη μπαταρία από το εργαλείο όταν αποθηκεύετε η μετακινείτε το εργαλείο.
- Να χρησιμοποιείτε μόνο γνήσια ανταλλακτικά και εξαρτήματα.
- Μην κάθεστε ποτέ κάτω από τη περιοχή καθαρισμού.
- Μην χρησιμοποιείτε ποτέ το εργαλείο σε σκάλα η σε ασταθές στήριξη.
- Μη επεκτείνεται το εργαλείο πάνω από το ύψος του ώμου σας.

## Προειδοποιητικά σύμβολα

Πάνω στο εργαλείο υπάρχουν τα ακόλουθα προειδοποιητικά σύμβολα:



Διαβάστε τον εγχειρίδιο οδηγιών πριν τη χρήση.



Μην αφήνετε τρίτους να πλησιάζουν.



Να φοράτε προστατευτικά γυαλιά.



Μην καίτε την μπαταρία.



Κίνδυνος ηλεκτροπληξίας. Καθίστε τουλάχιστον 10 m μακριά από τις εναέριες γραμμές.



✓ Συνιστάται για χρήση στις περισσότερες βαμμένες επιφάνειες.



⚠ Δεν συνιστάται για χρήση σε βαμμένες επιφάνειες.

## Επιπρόσθετες οδηγίες ασφαλείας για μπαταρίες και φορτιστές

### Μπαταρίες

- Μην επιχειρήσετε ποτέ να την ανοίξετε, για κανένα λόγο.
- Μην εκθέτετε την μπαταρία σε νερό.
- Μην την αποθηκεύετε σε χώρους όπου η θερμοκρασία μπορεί να υπερβεί τους 40 °C.
- Να τη φορτίζετε μόνο σε θερμοκρασία περιβάλλοντος μεταξύ 4 °C και 40 °C.
- Η φόρτιση πρέπει να γίνεται μόνο με το φορτιστή που παρέχεται με το εργαλείο.
- Σε ό,τι αφορά την απόρριψη των μπαταριών, ακολουθήστε τις οδηγίες που παρατίθενται στην ενότητα «Προστασία του Περιβάλλοντος».

### Φορτιστές

- Χρησιμοποιήστε μόνο το φορτιστή της Black & Decker για τη φόρτιση μπαταριών του τύπου που συνοδεύει το εργαλείο σας. Σε άλλες μπαταρίες ενδέχεται να σημειωθεί διάβρωση, προκαλώντας τραυματισμό και ζημιά.
- Μην επιχειρήσετε ποτέ να επαναφορτίσετε μη επαναφορτιζόμενες μπαταρίες.
- Αντικαταστήστε αμέσως τα ελαττωματικά καλώδια.
- Μην εκθέτετε το φορτιστή σε νερό.

- ◆ Μην ανοίγετε το φορτιστή.
- ◆ Μην επιχειρήσετε να διερευνήσετε το εσωτερικό του φορτιστή.



Ο φορτιστής προορίζεται μόνο για χρήση σε εσωτερικούς χώρους.



Μετασχηματιστής απομόνωσης ασφαλούς λειτουργίας. Η παροχή ρεύματος είναι ηλεκτρικά διαχωρισμένη από την έξοδο του μετασχηματιστή.



Η τροφοδοσία του φορτιστή διακόπεται αυτόματα εάν η θερμοκρασία του περιβάλλοντος γίνει πολύ υψηλή. Ός συνέπεια ο φορτιστής δεν θα είναι λειτουργήσιμος. Ο φορτιστής πρέπει να αποσυνδεθεί από την κεντρική παροχή ρεύματος και να αποσταλεί σε ένα εξουσιοδοτημένο κέντρο επισκευής για επισκευή.



Διαβάστε τον εγχειρίδιο οδηγιών πριν τη χρήση.

## Ελεγχος και επισκευές



Ο φορτιστής σας φέρει διπλή μόνωση, επομένως δεν απαιτείται σύρμα γείωσης. Ελέγχετε πάντα αν η τάση τροφοδοσίας αντιστοιχεί σε αυτήν που αναγράφεται στην πινακίδα χαρακτηριστικών.

- ◆ **Προσοχή!** Ποτέ μην επιχειρήσετε να υποκαταστήσετε το φορτιστή με κοινή πρίζα ρεύματος.
- ◆ Αν το καλώδιο ρεύματος έχει υποστεί βλάβη, πρέπει να αντικατασταθεί από τον κατασκευαστή ή από εξουσιοδοτημένο Κέντρο Επισκευών Black & Decker ώστε να αποφύγετε τους κινδύνους.

## Χαρακτηριστικά

1. Διακόπτης on/off
2. Κύρια λαβή
3. Κεφαλή βούρτσας
4. Βούρτσα
5. Κλιπ κλειδώματος της κεφαλής της βούρτσας.
6. Σωλήνας επέκτασης (πορτοκαλί)
7. Σωλήνας επέκτασης (πράσινο)
8. Χώρος μπαταριών

## Εικ. Α

9. Μαλακή βούρτσα, 20 cm
10. Σταθερή βούρτσα, 20 cm
11. Σταθερή βούρτσα, 10 cm

## Εικ. Β

12. Φορτιστής
13. Υποδοχή φορτιστή
14. Ενδειξη φόρτισης
15. Ενδειξη τέλους φόρτισης

## Συναρμολόγηση

**Προειδοποίηση!** Πριν από τη συναρμολόγηση, αφαιρείτε πάντα την μπαταρία.

## Τοποθέτηση και αφαίρεση της μπαταρίας (εικ. C)

- ◆ Ανοίξτε το διαμέρισμα μπαταρίας (8) στρέφοντας το κάλυμμα μπαταρίας (16) αριστερόστροφα.
- ◆ Για να τοποθετήσετε την μπαταρία (17), ευθυγραμμίστε την με την υποδοχή (18) πάνω στο εργαλείο. Ολισθήστε τη μπαταρία μέσα στη θήκη και σπρώξτε τη μέχρι να κουμπώσει στη θέση της.
- ◆ Για να αφαιρέσετε τη μπαταρία, τραβήξτε την έξω από τη θήκη.
- ◆ Τοποθετήστε το κάλυμμα μπαταρίας στρέφοντας το δεξιόστροφα.

## Τοποθέτηση του καπακιού μπαταρίας (εικ. D)

**Προειδοποίηση!** Τοποθετήστε το καπάκι (19) στη μπαταρία (17) για μετακίνηση και αποθήκευση.

## Τοποθέτηση και αφαίρεση της κεφαλής βούρτσας (εικ. E)

**Προειδοποίηση!** Αφαιρέστε τη μπαταρία από το εργαλείο όταν τοποθετήσετε η αφαιρέσετε βούρτσες.

- ◆ Πιέστε τον συνδετήρα της βούρτσας (20) προς τη κεφαλή βούρτσας (3).
- ◆ Για να τοποθετήσετε τη βούρτσα (4) πιέστε μέσα τη κεφαλή βούρτσας.
- ◆ Για να αφαιρέσετε τη κεφαλή, τραβήξτε έξω τη βούρτσα από τη κεφαλή βούρτσας.
- ◆ Απελευθερώστε τον συνδετήρα βούρτσας.

## Επέκταση της κεφαλής βούρτσας (εικ. F)

Η μέγιστη απόσταση μπορεί να επιτευχθεί τοποθετώντας ένα σωλήνα επέκτασης ενδιάμεσα τη κεφαλή βούρτσας (3) και τη λαβή (2).

## Τοποθέτηση ενός σωλήνα επέκτασης.

- ◆ Ευθυγραμμίστε το αυλάκι στο εξωτερικό του άκρου διασύνδεσης της λαβής (2) με την γλώσσα στο εσωτερικό του άκρου διασύνδεσης του σωλήνα επέκτασης (6).
- ◆ Σπρώξτε τον σωλήνα επέκτασης στη λαβή.
- ◆ Ολισθήστε κάτω το κολάρο (21) και περιστρέψτε το δεξιόστροφα μέχρι να σφιχτεί ολοκληρωτικά.



- ◆ Ευθυγραμμίστε το αυλάκι στο εξωτερικό του άκρου διασύνδεσης του σωλήνα επέκτασης (6) με την γλώσσα στο εσωτερικό του άκρου διασύνδεσης της κεφαλής βούρτσας (3).
- ◆ Σπρώξτε τη κεφαλή βούρτσας (3) στον σωλήνα επέκτασης.
- ◆ Ολισθήστε κάτω το κολάρο (22) και περιστρέψτε το δεξιόστροφα μέχρι να σφιχτεί ολοκληρωτικά.

#### Τοποθέτηση δυο σωλήνων επέκτασης

- ◆ Τοποθετήστε τον σωλήνα επέκτασης όπως περιγράφεται πιο πάνω.
- ◆ Ευθυγραμμίστε το αυλάκι στο εξωτερικό του άκρου διασύνδεσης του σωλήνα επέκτασης (7) με την γλώσσα στο εσωτερικό του άκρου διασύνδεσης του σωλήνα επέκτασης (6).
- ◆ Σπρώξτε τον σωλήνα επέκτασης (7) στον άλλον σωλήνα επέκτασης.
- ◆ Ολισθήστε κάτω το κολάρο (22) και περιστρέψτε το δεξιόστροφα μέχρι να σφιχτεί ολοκληρωτικά.
- ◆ Ευθυγραμμίστε το αυλάκι στο εξωτερικό του άκρου διασύνδεσης του σωλήνα επέκτασης (7) με την γλώσσα στο εσωτερικό του άκρου διασύνδεσης της κεφαλής βούρτσας (3).
- ◆ Σπρώξτε τη κεφαλή βούρτσας (3) στον σωλήνα επέκτασης (7).
- ◆ Ολισθήστε κάτω το κολάρο (23) και περιστρέψτε το δεξιόστροφα μέχρι να σφιχτεί ολοκληρωτικά.

#### Χρήση

**Προειδοποίηση!** Αφήστε το εργαλείο να λειτουργήσει με το δικό του ρυθμό. Μην το υπερφορτώνετε.

- ◆ Χρησιμοποιήστε το εργαλείο σε υγρές επιφάνειες ή επιφάνειες με σαπούνι.
- ◆ Χρησιμοποιήστε το εργαλείο με μια επέκταση για εφαρμογές για μικρές αποστάσεις.
- ◆ Χρησιμοποιήστε το εργαλείο με 2 επεκτάσεις για εφαρμογές για μεγάλες αποστάσεις.
- ◆ Αν η μηχανή αρχίσει να ζορίζεται και να κινείται με μικρή ταχύτητα, ελαττώστε το φορτίο.
- ◆ Αν είναι δυνατό, φροντίστε η μπαταρία να παραμείνει συνδεδεμένη με το φορτιστή και ο φορτιστής να είναι στο ρεύμα όποτε το εργαλείο δεν χρησιμοποιείται.

#### Φόρτιση της μπαταρίας (εικ. Β)

Η μπαταρία πρέπει να φορτιστεί πριν από την πρώτη χρήση και όποτε δεν μπορεί να παράγει αρκετή ισχύ για εργασίες που παλαιότερα εκτελούνταν με ευκολία. Όταν η μπαταρία φορτίζεται για πρώτη φορά ή μετά από παρατεταμένη αποθήκευση, θα φορτιστεί μόνο κατά το 80%. Μετά από μερικούς κύκλους φόρτισης και αποφόρτισης, η μπαταρία θα αποκτήσει πλήρη χωρητικότητα.

Η μπαταρία μπορεί να ζεσταθεί κατά τη φόρτισή της. Αυτό είναι φυσιολογικό και δεν είναι ενδεικτικό κάποιου προβλήματος.

**Προειδοποίηση!** Μη φορτίζετε τη μπαταρία σε θερμοκρασίες περιβάλλοντος κάτω των 4 °C ή άνω των 40 °C. Συνιστώμενη θερμοκρασία φόρτισης: περίπου 24 °C.

#### Φορτιστής 8 ώρας

- ◆ Για να φορτίσετε τη μπαταρία (17), αφαιρέστε την από το εργαλείο και τοποθετήστε την υποδοχή φόρτισης (13) στη μπαταρία.
- ◆ Βάλτε το φορτιστή (12) στην πρίζα.

Η μπαταρία θα έχει φορτιστεί πλήρως σε 8 περίπου ώρες. Μπορείτε να την αφαιρέσετε οποιαδήποτε στιγμή θέλετε ή μπορείτε να την αφήσετε συνεχώς πάνω στο φορτιστή.

#### Φορτιστής 1 ώρας

- ◆ Για να φορτίσετε τη μπαταρία (17), αφαιρέστε την από το εργαλείο και τοποθετήστε την στο φορτιστή (12). Η μπαταρία μπαίνει στο φορτιστή κατά ένα τρόπο και μόνο. Μην τη ζορίζετε. Βεβαιωθείτε ότι η μπαταρία έχει εφαρμοστεί καλά στο φορτιστή.
- ◆ Βάλτε το φορτιστή στην πρίζα.

Ελέγξτε αν ανάβει η κόκκινη ένδειξη φόρτισης (14). Αν, αντί για την κόκκινη ένδειξη, ανάψει τώρα η πράσινη ένδειξη τέλους φόρτισης (15), η μπαταρία είναι ιδιαίτερα ζεστή και δεν μπορεί να φορτιστεί. Αν συμβεί αυτό, αφαιρέστε την μπαταρία από το φορτιστή, αφήστε την να κρυώσει για 1 ώρα περίπου και μετά βάλτε την και πάλι στο φορτιστή. Μετά από περίπου 1 ώρα φόρτισης, ο κόκκινος δείκτης φόρτισης θα σβήσει και θα ανάψει ο πράσινος δείκτης τέλους φόρτισης. Η μπαταρία είναι πλέον τελείως φορτισμένη.

- ◆ Αφαιρέστε τη μπαταρία από το φορτιστή.

#### Θέση εντός και εκτός λειτουργίας (εικ. G)

- ◆ Για να ανάψετε το εργαλείο, βάλτε το διακόπτη on/off (1) στη θέση I.
- ◆ Για να σβήσετε το εργαλείο, βάλτε το διακόπτη on/off στη θέση O.

#### Αλλαγή κατάστασης λειτουργίας (εικ. H & I)

Το εργαλείο μπορεί να τεθεί σε κατάσταση περιστροφής ή σταθερή. Η κατάσταση περιστροφής επιτρέπει ελεύθερη περιστροφή της κεφαλής βούρτσας. Η σταθερή κατάσταση περιορίζει την περιστροφή της κεφαλής βούρτσας. Η κεφαλή βούρτσας μπορεί να σταθεροποιηθεί σε οποιοδήποτε γωνία μέσα σε 80° περιστροφή.

- ◆ Τραβήξτε προς τα έξω το κλιπ ασφαλείας (5).
- ◆ Για τη κατάσταση περιστροφής, περιστρέψτε το κλιπ 180° στο ξεκλειδωτό σύμβολο.
- ◆ Για τη σταθερή κατάσταση, περιστρέψτε το κλιπ 180° στο κλειδωμένο σύμβολο.

- ◆ Σπρώξτε πίσω το κλιπ μέχρι να κουμπώσει στη θέση του.

### Χρήση του εργαλείου σε κατάσταση περιστροφής.

- ◆ Κρατήστε το εργαλείο όπως απεικονίζεται στην εικ. J & K.

### Χρήση του εργαλείου σε σταθερή κατάσταση.

- ◆ Κρατήστε το εργαλείο όπως απεικονίζεται στην εικ. L.

### Συμβουλές για άριστη χρήση

- ◆ Χρησιμοποιήστε τη κατάσταση περιστροφής για επιφάνειες με καμπύλες και για το καθαρισμό μεγάλων επιφανειών με κίνηση εμπρός και πίσω.
- ◆ Χρησιμοποιήστε τη σταθερή κατάσταση για σκληρή τριβή και καθαρισμό με πλευρική κίνηση.

### Καθαρισμός, συντήρηση και αποθήκευση

Αυτό το εργαλείο της Black & Decker έχει σχεδιαστεί έτσι ώστε να λειτουργεί για μεγάλο χρονικό διάστημα με την ελάχιστη δυνατή φροντίδα. Η συνεχής ικανοποιητική λειτουργία εξαρτάται από τη σωστή χρήση του εργαλείου και τακτικό καθαρισμό. Ο φορτιστής σας δεν χρειάζεται καμιά συντήρηση εκτός από το τακτικό καθαρισμό.

**Προειδοποίηση!** Πριν εκτελέσετε οποιαδήποτε εργασία συντήρησης στο εργαλείο, αφαιρέστε τη μπαταρία από το εργαλείο. Βγάλτε τον φορτιστή από την πρίζα πριν τον καθαρίσετε.

### Μετά τη χρήση και πριν την αποθήκευση

**Προειδοποίηση!** Να φοράτε κατάλληλα γάντια και προστασία ματιών όταν καθαρίζετε το εργαλείο.

- ◆ Μετά τη χρήση, καθαρίζετε προσεκτικά τις βούρτσες.
- ◆ Να καθαρίζετε τακτικά το περίβλημα του μοτέρ χρησιμοποιώντας ένα υγρό πανί. Μη χρησιμοποιείτε αποξεστικά καθαριστικά ή υγρά καθαρισμού που περιέχουν διαλύτες.
- ◆ Βεβαιωθείτε ότι όλοι οι διακόπτες δεν έχουν απορρίμματα πριν και μετά τη χρήση.

### Αποθήκευση

Όταν το εργαλείο δεν πρόκειται να χρησιμοποιηθεί για μερικούς μήνες, το καλύτερο θα ήταν να αφήσετε τη μπαταρία συνδεδεμένη στο φορτιστή.

Στην αντίθετη περίπτωση, ενεργήστε ως ακολούθως:

- ◆ Φορτίστε πλήρως τη μπαταρία.
- ◆ Αφαιρέστε τη μπαταρία από το εργαλείο.
- ◆ Φυλάξτε το εργαλείο και τη μπαταρία σε ασφαλές και ξηρό χώρο. Η θερμοκρασία αποθήκευσης θα πρέπει πάντα να κυμαίνεται μεταξύ +5 °C και +40 °C. Τοποθετήστε τη μπαταρία σε οριζόντια επιφάνεια.
- ◆ Προτού χρησιμοποιήσετε το εργαλείο μετά από μια παρατεταμένη περίοδο αποθήκευσης, φορτίστε πλήρως τη μπαταρία και πάλι.

### Αντιμετώπιση προβλημάτων

Αν το εργαλείο δεν λειτουργεί σωστά, ελέγξτε τα ακόλουθα:

Πρόβλημα	Πιθανή αιτία	Λύση
Το εργαλείο δεν ξεκινά	Η μπαταρία δεν έχει εγκατασταθεί σωστά.	Ελέγξτε την εγκατάσταση μπαταρίας.
	Η μπαταρία είναι άδεια.	Τοποθετήστε μια γεμάτη μπαταρία.
	Το κουμπί κλειδώματος δεν έχει μετακινηθεί.	Παρατηρήστε την διαδικασία έναρξης.
	Οι συνδέσεις πόλων δεν έχουν σφίχτεί σωστά.	Ελέγξτε τις συνδέσεις.
Η μπαταρία δεν φορτώνει.	Η μπαταρία δεν έχει εγκατασταθεί σωστά.	Ελέγξτε την εγκατάσταση μπαταρίας.

### Διάθεση εργαλείων και περιβάλλον



Ξεχωριστή συλλογή. Αυτό το προϊόν δεν πρέπει να απορριφθεί με συνηθισμένα σπιτικά απορρίμματα.

Εάν κάποια μέρα διαπιστώσετε ότι το προϊόν σας Black & Decker χρειάζεται αντικατάσταση ή δεν σας χρησιμεύει πλέον, μην το απορρίψετε με τα σπιτικά απορρίμματα. Κάντε αυτό το προϊόν διαθέσιμο για ξεχωριστή συλλογή.



Η ξεχωριστή συλλογή χρησιμοποιημένων προϊόντων και συσκευασιών επιτρέπει την ανακύκλωση υλικών. Η επανάχρηση ανακυκλωμένων υλικών βοηθάει την προστασία του περιβάλλον και μειώνει την ζήτηση για σπάνια υλικά.

Οι τοπικοί κανονισμοί μπορεί να παρέχουν ξεχωριστή συλλογή ηλεκτρικών προϊόντων από κατοικίες, δημοτικές τοποθεσίες απορριμμάτων ή από τον έμπορα όταν αγοράσατε το καινούργιο προϊόν. Η Black & Decker δίνει τη δυνατότητα συλλογής και ανακύκλωσης των προϊόντων της που έχουν συμπληρώσει τη διάρκεια ζωής τους. Αν θέλετε να χρησιμοποιήσετε την εν λόγω υπηρεσία, επιστρέψτε το προϊόν σας σε οποιοδήποτε εξουσιοδοτημένο κέντρο επισκευών, όπου θα το παραλάβουν εκ μέρους σας.

Ενημερωθείτε για το πλησιέστερο κέντρο επισκευών της περιοχής σας, επικοινωνώντας με τα γραφεία της Black & Decker στη διεύθυνση που αναγράφεται στο χειρουργίδιο. Επίσης, για να πληροφορηθείτε τα εξουσιοδοτημένα κέντρα επισκευών της Black & Decker και τις λεπτομέρειες και τους αρμόδιους των υπηρεσιών που παρέχονται μετά την πώληση, μπορείτε ανατρέξετε στο Διαδίκτυο στη διεύθυνση: [www.2helpU.com](http://www.2helpU.com)

## Μπαταρίες



Οι μπαταρίες Black & Decker μπορούν να επαναφορτιστούν πολλές φορές. Όταν πλέον δεν μπορούν να ξαναχρησιμοποιηθούν, απορρίψτε τις με τρόπο κατάλληλο για το περιβάλλον:

- ◆ Εξαντήστε πλήρως τη μπαταρία και μετά αφαιρέστε την από το εργαλείο.
- ◆ Οι μπαταρίες NiCd και NiMH είναι ανακυκλώσιμες. Στείλτε τις σε κάποιο εξουσιοδοτημένο κέντρο επισκευών ή στον τοπικό σταθμό ανακύκλωσης.

### Τεχνικά χαρακτηριστικά

	GPC900	
Τάση	$V_{DC}$	18
Ταχύτητα άφορτου κίνησης	$\text{min}^{-1}$	150
Μέγιστο μήκος	m	3
Βάρος (χωρίς μπαταρία)	kg	3,25

### Μπαταρία

Τάση	$V_{DC}$	18
Χωρητικότητα	Ah	1,5
Βάρος	kg	0,9

### Φορτιστής

	8 ώρα	1 ώρα
Τάση	$V_{AC}$ 230	230
Χρόνος φόρτισης κατά προσέγγιση	h 8	1
Βάρος	kg 0,4	1,2

## Δήλωση συμμόρφωσης με την Ευρωπαϊκή Κοινότητα

Η Black & Decker δηλώνει ότι τα προϊόντα αυτά συμμορφώνονται με:

98/37/ΕΚ, 89/336/ΕΟΚ, 73/23/ΕΟΚ, EN 55014, EN 60335 & EN 61000

Kevin Hewitt

Διευθυντής Εξυπηρέτησης Πελατών  
Spennymoor, County Durham DL16 6JG,

Αγγλία  
1-11-2006

## Εγγύηση

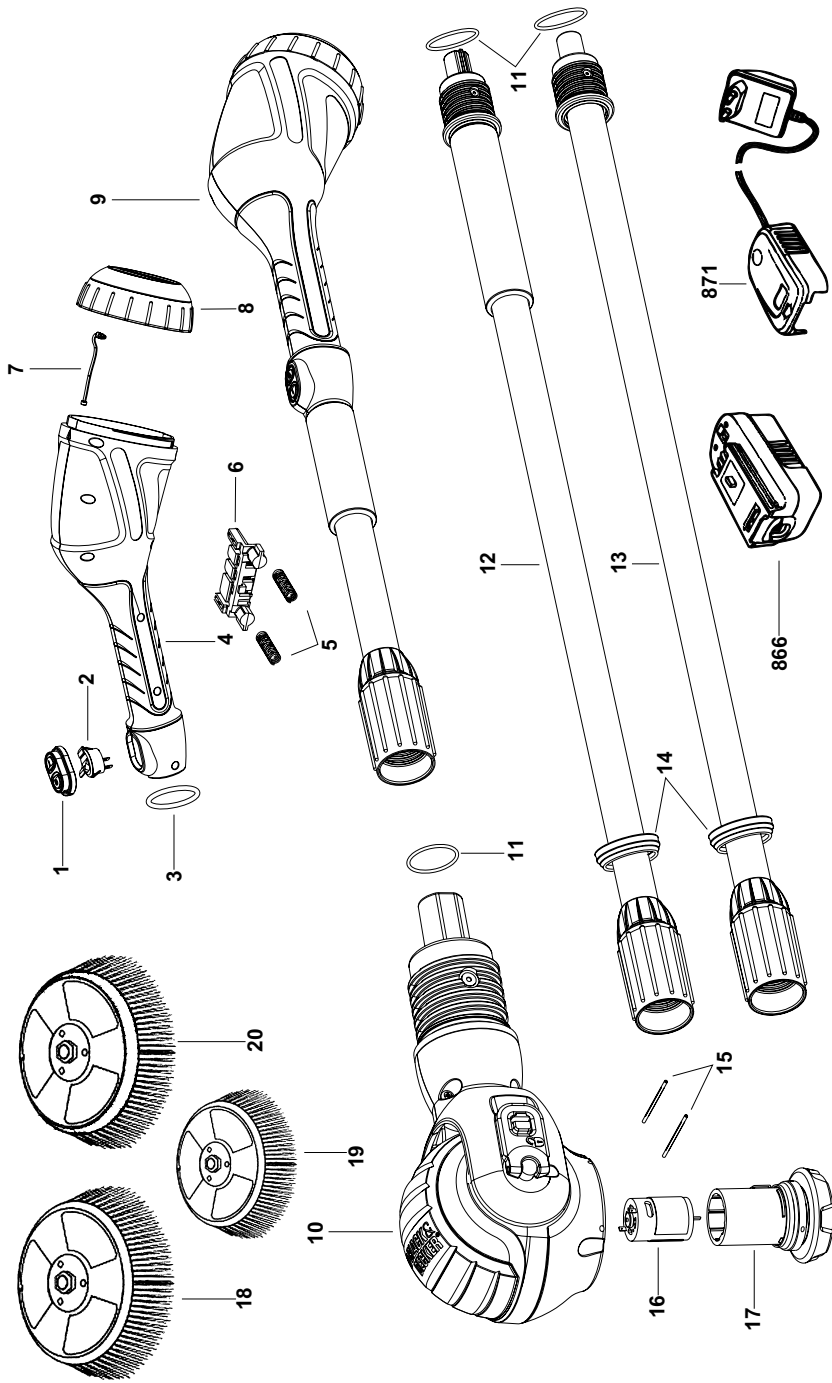
Η Black & Decker είναι σίγουρη για την ποιότητα των προϊόντων της και παρέχει σημαντική εγγύηση. Η παρούσα γραπτή εγγύηση αποτελεί πρόσθετο δικαίωμά σας και δεν ζημιώνει τα συνταγματικά σας δικαιώματα. Η εγγύηση ισχύει εντός της επικράτειας των Κρατών Μελών της Ευρωπαϊκής Ένωσης και της Ευρωπαϊκής Ζώνης Ελευθέρων Συναλλαγών.

Σε περίπτωση που κάποιο προϊόν της Black & Decker παρουσιάσει βλάβη εξαιτίας ελαττωματικών υλικών, ποιότητας εργασίας ή έλλειψης συμφωνίας με τις προδιαγραφές εντός 24 μηνών από την ημερομηνία αγοράς, η Black & Decker εγγυάται την αντικατάσταση των ελαττωματικών τμημάτων, την επισκευή προϊόντων που έχουν υποστεί εύλογη φθορά λόγω χρήσης ή την αντικατάσταση των προϊόντων προκειμένου να εξασφαλίσει την ελάχιστη ενόχληση στους πελάτες της, εκτός αν:

- ◆ Το προϊόν έχει χρησιμοποιηθεί σε εργασιακό, επαγγελματικό περιβάλλον ή αν έχει εννοικιαστεί
- ◆ Έχει γίνει εσφαλμένη χρήση του προϊόντος ή αν έχει παραμεληθεί
- ◆ Το προϊόν έχει υποστεί βλάβη από άλλα αντικείμενα, από ουσίες ή λόγω ατυχήματος
- ◆ Έχει γίνει προσπάθεια επισκευής από μη εξουσιοδοτημένα κέντρα επισκευών ή από προσωπικό που δεν ανήκει στο προσωπικό της Black & Decker

Για να ισχύσει η εγγύηση, πρέπει να υποβάλετε απόδειξη αγοράς στον πωλητή ή το εξουσιοδοτημένο κέντρο επισκευών. Ενημερωθείτε για το πλησιέστερο κέντρο επισκευών της περιοχής σας, επικοινωνώντας με τα γραφεία της Black & Decker στη διεύθυνση που αναγράφεται στο εγχειρίδιο. Επίσης, για να πληροφορηθείτε για τα εξουσιοδοτημένα κέντρα επισκευών της Black & Decker, τις λεπτομέρειες και τους αρμόδιους των υπηρεσιών που παρέχονται μετά την πώληση, μπορείτε να ανατρέξετε στο Διαδίκτυο στη διεύθυνση: [www.2helpU.com](http://www.2helpU.com)

Παρακαλούμε να επισκεφθείτε την ιστοσελίδα μας [www.blackanddecker.eu](http://www.blackanddecker.eu) για να καταχωρήσετε το νέο σας προϊόν Black & Decker και για να ενημερώνεστε για τα νέα προϊόντα και τις ειδικές προσφορές. Περισσότερες πληροφορίες σχετικά με τη μάρκα Black & Decker και τη σειρά προϊόντων μας θα βρείτε στη διεύθυνση [www.blackanddecker.eu](http://www.blackanddecker.eu)





<b>Australia</b>	Black & Decker (Australia) Pty. Ltd. 20 Fletcher Road, Mooroolbark, Victoria, 3138	Tel. 03-8720 5100 Fax 03-9727 5940
<b>België/Belgique</b>	Black & Decker (Belgium) N.V. Nieuwlandlaan 321 3200 Aarschot	Tel. 16 68 91 00 Fax 016 68 91 11
<b>Danmark</b>	Black & Decker Sluseholmen 2-4, 2450 København SV Internet: www.blackanddecker.dk	Tel. 70 20 15 10 Fax 70 22 49 10
<b>Deutschland</b>	Black & Decker GmbH Black & Decker Str. 40, D - 65510 Idstein	Tel. 06126/21 - 0 Fax 06126/21 29 80
<b>Ελλάδα</b>	Black & Decker (Ελλάς) Α.Ε. Στράβωνος 7 & Λεωφ. Βουλιαγμένης 159 166 74 Γλυφάδα - Αθήνα	Τηλ. 210 8981616 Φαξ 210 8983285 www.blackanddecker.eu
<b>España</b>	Black & Decker Ibérica, S.C.A. Parc de Negocis "Mas Blau" Edificio Muntadas, c/Bergadá, 1, Of. A6 08820 El Prat de Llobregat (Barcelona)	Tel. 934 797 400 Fax 934 797 419
<b>France</b>	Black & Decker (France) S.A.S. B.P. 21, 69571 Dardilly Cédex	Tel. 04 72 20 39 20 Fax 04 72 20 39 00
<b>Helvetia</b>	ROFO AG Gewerbezone Seeblick 3213 Kleinbödingen	Tel. 026-6749391 Fax 026-6749394
<b>Italia</b>	Black & Decker Italia SpA Viale Elvezia 2 20052 Monza (MI)	Tel. 039-23871 Fax 039-2387592/2387594 Numero verde 800-213935
<b>Nederland</b>	Black & Decker Benelux Joulehof 12, 4622 RG Bergen op Zoom	Tel. 0164 - 283000 Fax 0164 - 283100
<b>New Zealand</b>	Black & Decker 81 Hugo Johnston Drive Penrose, Auckland, New Zealand	Tel. 09 579 7600 Fax 09 579 8200
<b>Norge</b>	Black & Decker (Norge) A/S Postboks 4814, Nydalen, 0422 Oslo Internet: www.blackanddecker.no	Tlf. 22 90 99 00 Fax 22 90 99 01
<b>Österreich</b>	Black & Decker Vertriebsges.m.b.H Oberlaaerstraße 246, A1100 Wien	Tel. 01 66116-0 Fax 01 66116-14
<b>Portugal</b>	Black & Decker Rua Egas Moniz 173 S. João do Estoril 2766-651 Estoril	Tel. 214667500 Fax 214667580
<b>Suomi</b>	Black & Decker Oy Keilasatama 3, 02150 Espoo Black & Decker Oy, Kägelhamnen 3, 02150 Esbo	Puh. 010 400 430 Faksi (09) 2510 7100 Tel. 010 400 430 Fax (09) 2510 7100
<b>Sverige</b>	Black & Decker AB Fabriksq. 7, 412 50 Göteborg	Tel. 031-68 60 60 Fax 031-68 60 80
<b>United Kingdom</b>	Black & Decker 210 Bath Road Slough, Berkshire SL1 3YD	Tel. 01753 511234 Fax 01753 551155 Helpline 01753 574277
<b>Middle East &amp; Africa</b>	Black & Decker (Overseas) A.G. PB 5420, Dubai, United Arab Emirates	Tel. +971 4 2826464 Fax +971 4 2826466

Dealer address  
Händleradresse  
Cachet du revendeur  
Indirizzo del rivenditore  
Adres van de dealer  
Dirección del detallista  
Morada do revendedor  
Aterförsäljarens adress  
Forhandlerens adresse  
Forhandler adresse  
Jälleenmyyjän osoite  
Διεύθυνση αντιπροσώπου

Date of purchase  
Kaufdatum  
Date d'achat  
Data d'acquisto  
Aankoopdatum  
Fecha de compra  
Data de compra  
Inkõpsdato  
Inkõpsdato  
Ostopäivä  
Ημερομηνία αγοράς

◆ Name ◆ Nom ◆ Nom  
◆ Naam ◆ Nombre ◆ Nome ◆ Namn  
◆ Navn ◆ Navn ◆ Nimi ◆ Διεύθυνση:

◆ Is this tool a gift? ◆ Ist dieses  
Geschenk? ◆ S'agiti-ì d'un cadeau? ◆ Si tratta  
di un regalo? ◆ Kreeg u de machine als cadeau?  
◆ ¿Ha recibido usted esta herramienta como  
regalo? ◆ Recebeu esta ferramenta como  
presente? ◆ Ar verktyget en gåva?  
◆ Er verktyget en gave? ◆ Er verkøjet en  
gave? ◆ Onko kone lahja?  
◆ Το εργαλείο είναι δώπο

◆ Yes ◆ Ja ◆ Oui ◆ Si ◆ Ja ◆ Si  
◆ Sim ◆ Ja ◆ Ja ◆ Ja ◆ Kyllä ◆ Nai

◆ No ◆ Nein ◆ Non ◆ No ◆ Nee  
◆ No ◆ Não ◆ Nej ◆ Nei ◆ Nej  
◆ Ei ◆ Oxi

◆ Dealer address ◆ Händleradresse  
◆ Cachet du revendeur ◆ Indirizzo del  
rivenditore ◆ Adres van de dealer  
◆ Dirección del detallista ◆ Morada do  
revendedor ◆ Aterförsäljarens adress  
◆ Forhandlerens adresse ◆ Forhandler adresse  
◆ Jälleenmyyjän osoite  
◆ Διεύθυνση αντιπροσώπου

◆ Address ◆ Adresse ◆ Adresse ◆ Indirizzo ◆  
Adres ◆ Dirección ◆ Morada ◆ Address ◆  
Adresse ◆ Adresse ◆ Osoite ◆ Διεύθυνση:

◆ Town ◆ Ort ◆ Ville ◆ Città ◆ Plaats  
◆ Ciudad ◆ Localidade ◆ Ort ◆ By  
◆ Paikkakunta ◆ Πόλη:

◆ Postal code ◆ Postleitzahl ◆ Code postal  
◆ Codice postale ◆ Postcode  
◆ Código ◆ Código postal ◆ Postnr.  
◆ Postnr. ◆ Postnummer  
◆ Κωδικός

◆ Is this tool your first purchase? ◆ Ist dieses  
Gerät ein Erstkauf? ◆ Est-ce un 1er achat?  
◆ Questo prodotto è il suo primo acquisto?  
◆ Is deze machine uw eerste aankoop?  
◆ ¿Es esta herramienta la primera de este tipo?  
◆ Esta ferramenta é a sua primeira compra?  
◆ Ar dette ditt første B&D-verktøy? ◆ Er dette  
ditt første B&D verktøy? ◆ Er dette ditt første  
B&D verktøj? ◆ Onko tämä ensimmäinen B&D-  
koneesi? ◆ Είναι το εργαλείο αυτό η πρώτη  
σας αγορά?

Cat. no.:



◆ Data protection act: Tick the box if you prefer  
not to receive further information.  
◆ Bitte ankreuzen, falls Sie keine weiteren  
Informationen erhalten möchten. ◆ Si vous ne  
souhaitez pas recevoir d'informations, cochez  
cette case. ◆ Barrate la casella se non  
desiderate ricevere informazioni.  
◆ A.u.b. dit vakje aankruisen indien u geen  
informatie wenst te ontvangen.  
◆ Señale en la casilla sino quiere recibir  
información. ◆ Por favor, assinale com uma  
cruz se não desejar receber informação.  
◆ Vänligen kryssa för i rutan om Ni inte vill ha  
information.  
◆ Vennligst kryss av dersom du ikke ønsker  
informasjon. ◆ Venligst sæt kryds i ruden  
såfremt De ikke måtte ønske at modtage  
information.  
◆ Merkittää rasti ruutuun, mikäli ette halua  
vastaanottaa informaatiota.  
◆ Παράκαλεστε να σημειώσετε εάν δεν θέλετε  
να प्राप्तει πληροφορίες.

- ◆ GUARANTEE CARD
- ◆ GARANTIEKART
- ◆ GARANTI KORT
- ◆ GARANTIEKARTE
- ◆ TARJETA DE GARANTÍA
- ◆ GARANTI KORT
- ◆ CARTE DE GARANTIE
- ◆ CARTÃO DE GARANTIA
- ◆ TAKUUKORTTI
- ◆ TAGLIANDO DI GARANZIA
- ◆ GARANTIBEVIS
- ◆ ΚΑΡΤΑ ΕΓΓΥΗΣΗΣ

**English**

Please complete this section immediately after the purchase of your tool and send it to Black & Decker in your country. If you live in Australia or New Zealand, please register by using the alternative guarantee card supplied.

**Deutsch**

Bitte schneiden Sie diesen Abschnitt ab, stecken ihn in einen frankierten Umschlag und schicken ihn an die Black & Decker Adresse Ihres Landes.

**Français**

Decoupez cette partie et envoyez-la sous enveloppe timbrée à l'adresse de Black & Decker dans votre pays, ceci immédiatement après votre achat.

**Italiano**

Per favore ritagliate questa parte, inseritela in una busta con francobollo e spediteola subito dopo l'acquisto del prodotto all'indirizzo della Black & Decker nella vostra nazione.

**Nederlands**

Knip dit gedeelte uit en zend het direct na aankoop in een gefrankeerde, geaddresseerde envelop naar het adres van Black & Decker in uw land.

**Español**

Después de haber comprado su herramienta envíe usted, por favor, esta tarjeta a la central de Black & Decker en su país.

**Português**

Por favor, recorte esta parte, coloque-a num envelope selado e endereçado e envie-o logo após a compra do seu produto para o endereço da Black & Decker do seu país.

**Svenska**

Var vänlig klipp ur denna del och sänd den i ett frankerat kuvert till Black & Deckers adress i Ditt land.

**Norsk**

Vennligst klipp ut denne delen umiddelbart etter du har pakket ut ditt produkt og legg det i en adressert konvolutt til Black & Decker (Norge) A/S.

**Dansk**

Venligst klip denne del ud og send frankeret til Black & Decker i dit land.

**Suomi**

Leikkaa irti tämä osa, laita se kuoreen ja postita kuori paikalliseen Black & Decker osoitteeseen.

**Ελληνικά**

Παράκαλι κόψτε αυτό το κομμάτι και τοχυώσουμπωρτα το αμέσως μετά την αγορά του προϊόντος σας στην διεύθυνση της Black & Decker στην Ελλάδα.