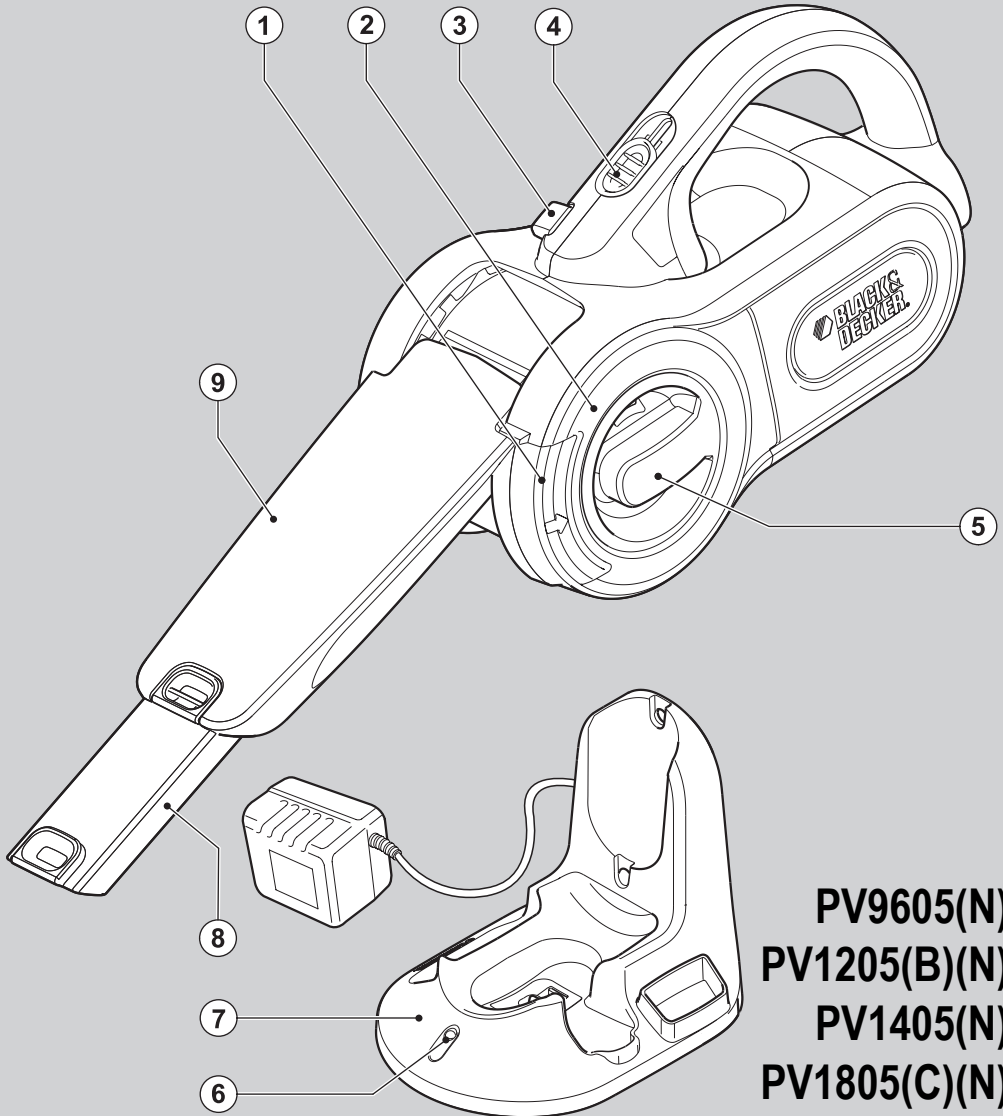


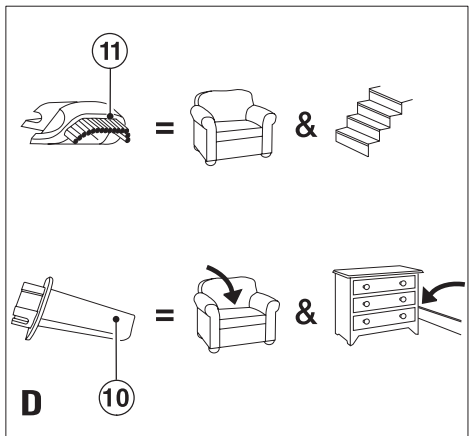
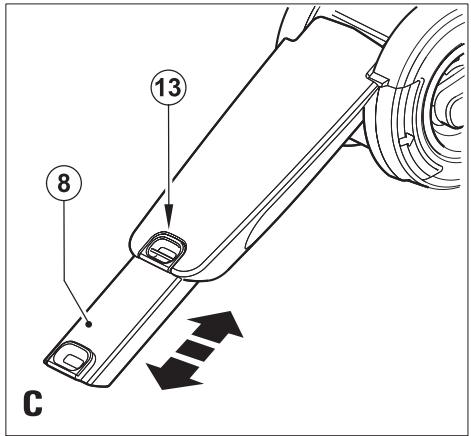
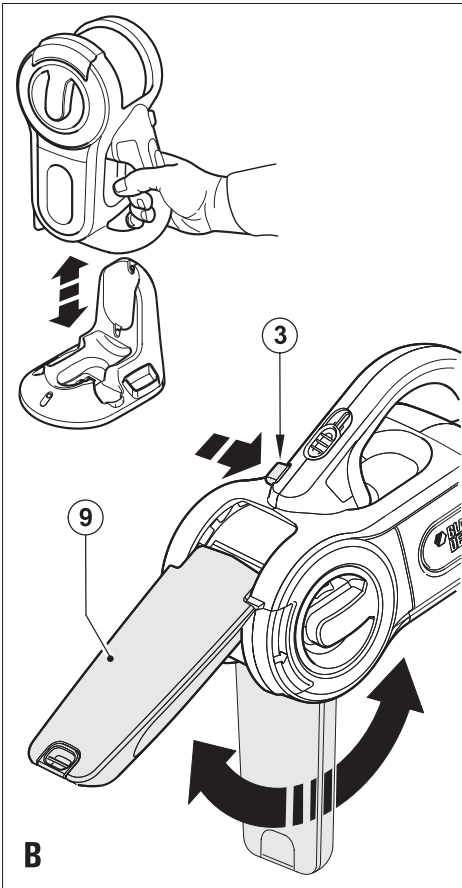
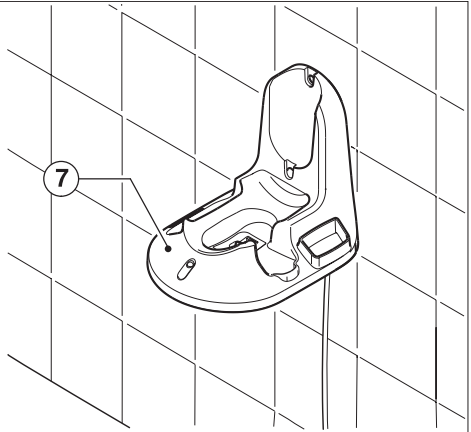
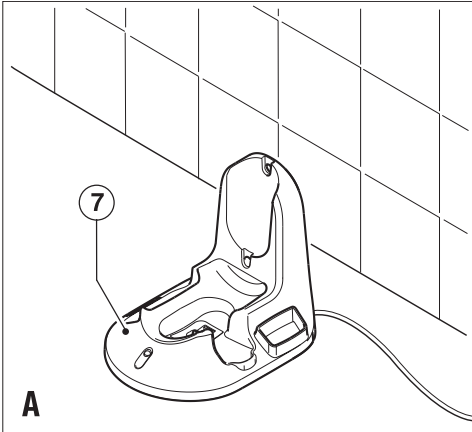


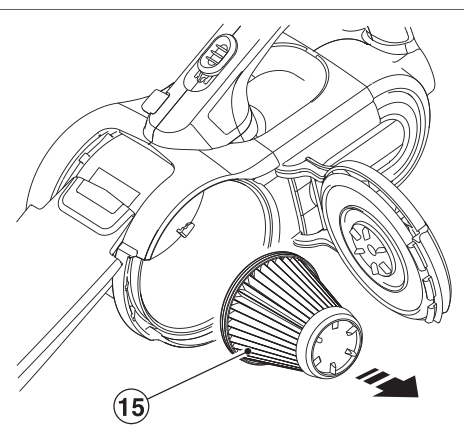
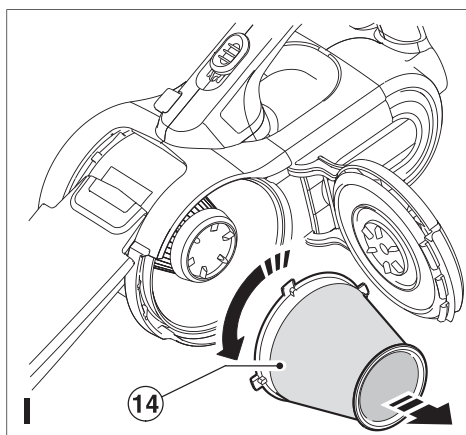
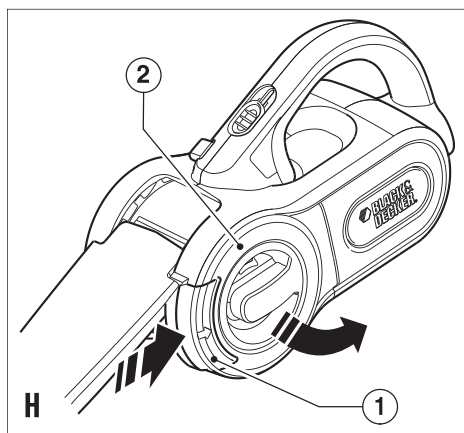
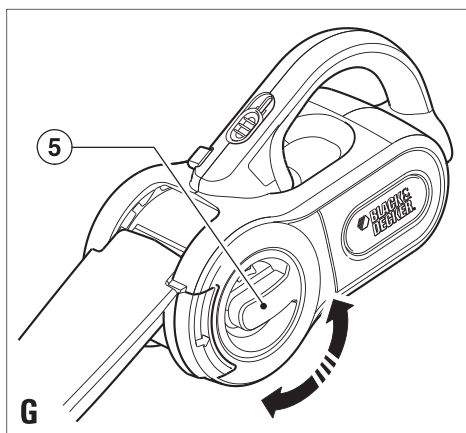
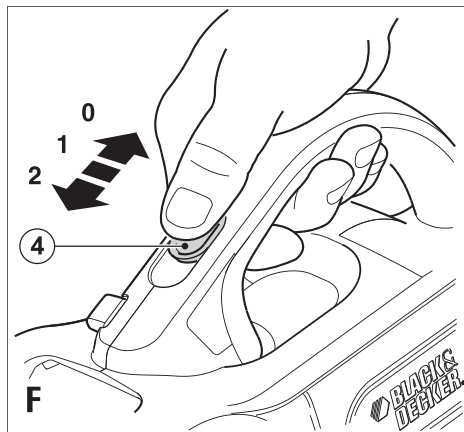
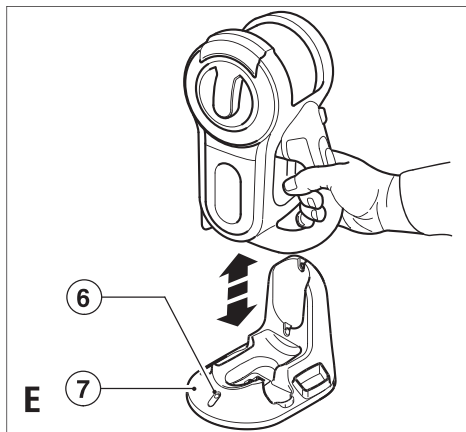
BLACK & DECKER®

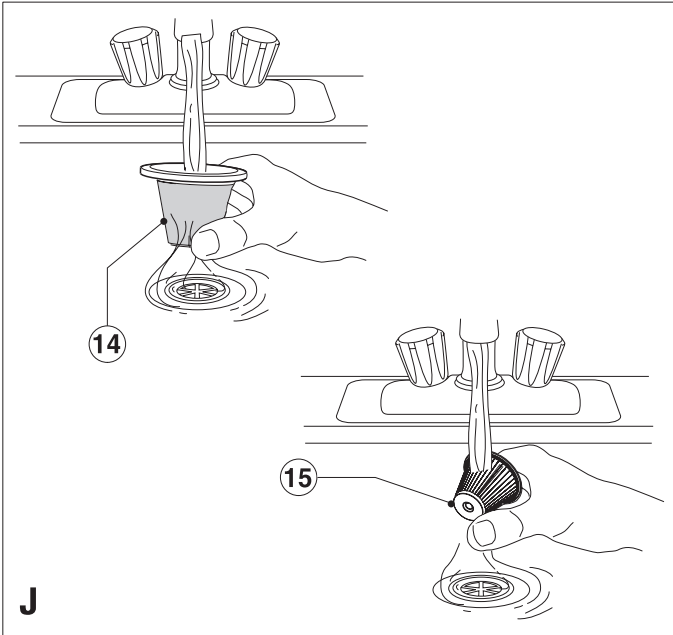


PV9605(N)
PV1205(B)(N)
PV1405(N)
PV1805(C)(N)

English	(Original instructions)	6
Deutsch	(Übersetzung der ursprünglichen Anweisungen)	11
Français	(Traduction des instructions initiales)	17
Italiano	(Traduzione del testo originale)	23
Nederlands	(Vertaling van de originele instructies)	29
Español	(Traducción de las instrucciones originales)	34
Português	(Tradução das instruções originais)	40
Svenska	(Översättning av originalanvisningarna)	46
Norsk	(Oversettelse av de opprinnelige instruksjonene)	51
Dansk	(Oversættelse af de oprindelige instruktioner)	56
Suomi	(Alkuperäisten ohjeiden käännös)	61
Ελληνικά	(Μετάφραση των πρωτότυπων οδηγιών)	66







Intended use

Your Black & Decker Dustbuster® hand-held vacuum cleaner has been designed for light dry vacuum cleaning purposes. This appliance is intended for household use only.

General appliance safety warnings



Warning! When using mains-powered/cordless appliances, basic safety precautions, including the following, should always be followed to reduce the risk of fire, electric shock, personal injury and material damage.

- ◆ Read all of this manual carefully before using the appliance.
- ◆ The intended use is described in this manual. The use of any accessory or attachment or the performance of any operation with this appliance other than those recommended in this instruction manual may present a risk of personal injury.

The term "appliance" in the warnings refers to your mains-operated (corded) appliance or battery-operated (cordless) appliance.

Save all warnings and instructions for future reference.

Using your appliance

Always take care when using the appliance.

- ◆ Keep work area clean and well lit. Cluttered or dark areas invite accidents.
- ◆ Only use the appliance in daylight or good artificial light.
- ◆ Do not operate your appliance in explosive atmospheres, such as in the presence of flammable liquids, gases or dust.
- ◆ Never allow children or people unfamiliar with the instructions to use the appliance.
- ◆ Do not allow children or animals to come near the work area or touch the appliance supply cord.
- ◆ Keep children, bystanders and animals away while operating an appliance. Distractions can cause you to lose control.
- ◆ The appliance is not to be used as a toy.
- ◆ Do not immerse the appliance in water.
- ◆ Do not open body casing. There are no user-serviceable parts inside.

Personal safety

- ◆ Stay alert, watch what you are doing and use common sense when operating an appliance. Do not use an appliance while you are tired or under the influence of drugs, alcohol or medication. A moment of inattention while operating an appliance may result in serious personal injury.

- ◆ Where required, use personal protective equipment. Protective equipment such as eye protection, dust mask, non-skid safety shoes, hard hat, or hearing protection used for appropriate conditions will reduce personal injuries.
- ◆ Prevent unintentional starting. Ensure the switch is in the off-position before connecting to power source and/or battery pack, picking up or carrying the appliance. Carrying appliances with your finger on the switch or energising appliances that have the switch on invites accidents.
- ◆ Do not overreach. Keep proper footing and balance at all times. This enables better control of the appliance in unexpected situations.
- ◆ Dress properly. Do not wear loose clothing or jewellery. Keep your hair, clothing and gloves away from moving parts. Loose clothes, jewellery or long hair can be caught in moving parts.

Appliance use and care

- ◆ Before use, check the appliance for damaged or defective parts. Check for breakage of parts, damage to switches and any other conditions that may affect its operation.
- ◆ Do not use the appliance if the switch does not turn it on and off. Any appliance that cannot be controlled with the switch is dangerous and must be repaired.
- ◆ Disconnect the plug from the power source and/or the battery pack from the appliance before making any adjustments, changing accessories, or storing appliances. Such preventive safety measures reduce the risk of starting the appliance accidentally.
- ◆ Where applicable, keep cutting tools sharp and clean. Properly maintained cutting tools with sharp cutting edges are less likely to bind and are easier to control.
- ◆ Do not use the appliance if any part is damaged or defective.
- ◆ Have any damaged or defective parts repaired or replaced by an authorised repair agent.
- ◆ Never attempt to remove or replace any parts other than those specified in this manual.

Electrical safety

- ◆ Appliance plugs must match the outlet. Never modify the plug in any way. Do not use any adapter plugs with earthed (grounded) appliance. Unmodified plugs and matching outlets will reduce risk of electric shock.
- ◆ Do not expose appliance to rain or wet conditions. Water entering a appliance will increase the risk of electric shock.

- ◆ Do not abuse the cord. Never use the cord for carrying, pulling or unplugging the appliance. Keep cord away from heat, oil, sharp edges or moving parts. Damaged or entangled cords increase the risk of electric shock.
- ◆ When operating an appliance outdoors, use an extension cord suitable for outdoor use. Use of a cord suitable for outdoor use reduces the risk of electric shock.
- ◆ If operating an appliance in a damp location is unavoidable, use a Residual Current Device (RCD) protected supply. Use of an RCD reduces the risk of electric shock.

Battery tool use and care (cordless appliance only)

- ◆ Recharge only with the charger specified by the manufacturer. A charger that is suitable for one type of battery pack may create a risk of fire when used with another battery pack.
- ◆ Use appliances only with specifically designated battery packs. Use of any other battery packs may create a risk of injury and fire.
- ◆ When battery pack is not in use, keep it away from other metal objects, like paper clips, coins, keys, nails, screws or other small metal objects that can make a connection from one terminal to another. Shorting the battery terminals together may cause burns or a fire.
- ◆ Under abusive conditions, liquid may be ejected from the battery; avoid contact. If contact accidentally occurs, flush with water. If liquid contacts eyes, additionally seek medical help. Liquid ejected from the battery may cause irritation or burns.

After use

- ◆ When not in use, the appliance should be stored in a dry, well ventilated place out of the reach of children.
- ◆ Children should not have access to stored appliances.
- ◆ When the appliance is stored or transported in a vehicle it should be placed in the boot or restrained to prevent movement following sudden changes in speed or direction.

Service

- ◆ Have your appliance serviced by a qualified repair person using only identical replacement parts. This will ensure that the safety of the appliance is maintained.

Additional safety instructions - batteries and chargers

Batteries

- ◆ Never attempt to open for any reason.
- ◆ Do not expose the battery to water.
- ◆ Do not expose the battery to heat.

- ◆ Do not store in locations where the temperature may exceed 40°C.
- ◆ Charge only at ambient temperatures between 10°C and 40°C.
- ◆ Charge only using the charger provided with the appliance/tool. Using the wrong charger could result in an electric shock or overheating of the battery.
- ◆ When disposing of batteries, follow the instructions given in the section "Protecting the environment".
- ◆ Do not damage/deform the battery pack either by puncture or impact, as this may create a risk of injury and fire.
- ◆ Do not charge damaged batteries.
- ◆ Under extreme conditions, battery leakage may occur. When you notice liquid on the batteries carefully wipe the liquid off using a cloth. Avoid skin contact.
- ◆ In case of skin or eye contact, follow the instructions below.

Warning! The battery fluid may cause personal injury or damage to property. In case of skin contact, immediately rinse with water. If redness, pain or irritation occurs seek medical attention. In case of eye contact, rinse immediately with clean water and seek medical attention.

Chargers

Your charger has been designed for a specific voltage. Always check that the mains voltage corresponds to the voltage on the rating plate.

Warning! Never attempt to replace the charger unit with a regular mains plug.

- ◆ Use your Black & Decker charger only to charge the battery in the appliance/tool with which it was supplied. Other batteries could burst, causing personal injury and damage.
- ◆ Never attempt to charge non-rechargeable batteries.
- ◆ If the supply cord is damaged, it must be replaced by the manufacturer or an authorised Black & Decker Service Centre in order to avoid a hazard.
- ◆ Do not expose the charger to water.
- ◆ Do not open the charger.
- ◆ Do not probe the charger.
- ◆ The appliance/tool/battery must be placed in a well ventilated area when charging.

Electrical safety



Your charger is double insulated; therefore no earth wire is required. Always check that the mains voltage corresponds to the voltage on the rating plate.

If the supply cord is damaged, it must be replaced by the manufacturer or an authorised Black & Decker Service Centre in order to avoid a hazard.

Warning! Never attempt to replace the charger unit with a regular mains plug.

Safety of others

- ◆ This appliance is not intended for use by persons (including children) with reduced physical, sensory or mental capabilities, or lack of experience and knowledge, unless they have been given supervision or instruction concerning the use of the appliance by a person responsible for their safety.
- ◆ Children should be supervised to ensure that they do not play with the appliance.

Symbols on the charging base



Your charging base is double insulated; therefore no earth wire is required.



Fail-safe isolating transformer. The mains supply is electrically separated from the transformer output.



The charger automatically shuts off if the ambient temperature becomes too high. As a consequence the charger will be inoperable. The charging base must be disconnected from the mains supply and taken to an authorised service centre for repair.



The charging base is intended for indoor use only.



Surfaces may become hot during use and during the cool down period.

Features

1. Release latch for container door
2. Container door
3. Collector lock button
4. Two-speed on/off switch
5. Filter cleaning wheel
6. Charging indicator
7. Charging base
8. Dust collector extension
9. Dust collector

Fig. D

10. Crevice tool (optional, see packaging)
11. Brush tool (stored in underside of appliance)

Installation

Fitting the charging base to the wall (fig. A)

The charging base can be placed on a work top or fitted to the wall to provide a convenient storage and charging point for the appliance.

When fixing to a wall, make sure that the fixing method is suitable for the wall type and is appropriate to the weight of the appliance.

Assembly

Adjusting the dust collector (fig. B & C)

- ◆ The dust collector (9) is stored under the appliance. To adjust for use, lift the appliance from the charging base.
- ◆ Press the collector lock button (3) and rotate the dust collector to the required position.
- ◆ Release the collector lock button to lock the dust collector in position.
- ◆ The dust collector can be extended by pulling the dust collector extension (8) until it locks into position.
- ◆ The extension can be retracted by pressing the button (13) and pushing the extension back into the dust collector.
- ◆ The dust collector should be returned to the storage position under the appliance after use and while charging the appliance.

Fitting the accessories (fig. D)

These models are supplied with some or all of the following accessories:

- ◆ A crevice tool (10) for confined spaces.
- ◆ A brush tool (11) for furniture and stairs.

To fit an accessory, proceed as follows:

- ◆ Take the accessories from the appliance.
- ◆ Insert the appropriate accessory into the front of the appliance.

Use

- ◆ Before first use, the battery must be charged for at least 16 hours.
- ◆ Place the appliance on the charging base whenever it is not in use.

Charging the battery (fig. E)

- ◆ Make sure that the appliance is switched off. The battery will not be charged with the on/off switch in the on position.
- ◆ Place the appliance on the charging base (7) as shown.
- ◆ Plug in the charger. Switch on at the mains.

The charging indicator (6) will be lit.

- ◆ Leave the appliance to charge for at least 16 hours.

While charging, the charger may become warm. This is normal and does not indicate a problem. The appliance can be left connected to the charger indefinitely. The charging indicator (6) will be lit as long as the appliance is connected to the plugged-in charger.

Warning! Do not charge the battery at ambient temperatures below 4 °C or above 40 °C.

Switching on and off (fig. F)

- ◆ To switch the appliance on, slide the on/off switch (4) forward to position 1.
- ◆ For full power, slide the on/off switch (4) forward to position 2.
- ◆ To switch the appliance off, slide the on/off switch (4) back to position 0.

Optimising the suction force (fig. G - I)

In order to keep the suction force optimised, the filters must be cleared regularly during use.

- ◆ Rotate the wheel (5) a few turns to shake out dust clogging the filters (14 & 15).

Cleaning and maintenance

Warning! Regularly clean the filters (14 & 15).

Cleaning the dust container and filters (fig. H - J)

The filters are re-usable and should be cleaned regularly.

- ◆ Press the release latch (1) and open the container door (2) (fig. H).
- ◆ Empty the dust container.
- ◆ Remove the filters (14 & 15) by twisting them counter-clockwise (fig. I).
- ◆ Brush any loose dust off the filters.
- ◆ Wash the filters in warm, soapy water (fig. J).
- ◆ Make sure that the filters are dry.
- ◆ Refit the filters (14 & 15) on to the appliance, twisting them clockwise until they lock into place.
- ◆ Close the container door (2). Make sure that the release latch (1) clicks into place.

Warning! Never use the appliance without the filters.

Optimum dust collection will only be achieved with clean filters.

Replacing the filters

The filters should be replaced every 6 to 9 months and whenever worn or damaged. Replacement filters are available from your Black & Decker dealer (cat. no. VF50):

- ◆ Remove the old filters as described above.
- ◆ Fit the new filters as described above.

Maintenance

Your Black & Decker corded/cordless appliance/tool has been designed to operate over a long period of time with a minimum of maintenance. Continuous satisfactory operation depends upon proper tool care and regular cleaning.

Warning! Before performing any maintenance on corded/cordless power tools:

- ◆ Switch off and unplug the appliance/tool.
- ◆ Or switch off and remove the battery from the appliance/tool if the appliance/tool has a separate battery pack .
- ◆ Or run the battery down completely if it is integral and then switch off.
- ◆ Unplug the charger before cleaning it. Your charger does not require any maintenance apart from regular cleaning.

Regularly clean the ventilation slots in you appliance/tool/charger using a soft brush or dry cloth.

Regularly clean the motor housing using a damp cloth. Do not use any abrasive or solvent-based cleaner.

Regularly open the chuck and tap it to remove any dust from the interior (when fitted).

Protecting the environment



Separate collection. This product must not be disposed of with normal household waste.

Should you find one day that your Black & Decker product needs replacement, or if it is of no further use to you, do not dispose of it with household waste. Make this product available for separate collection.



Separate collection of used products and packaging allows materials to be recycled and used again.

Re-use of recycled materials helps prevent environmental pollution and reduces the demand for raw materials.

Local regulations may provide for separate collection of electrical products from the household, at municipal waste sites or by the retailer when you purchase a new product.

Black & Decker provides a facility for the collection and recycling of Black & Decker products once they have reached the end of their working life. To take advantage of this service please return your product to any authorised repair agent who will collect them on our behalf.

You can check the location of your nearest authorised repair agent by contacting your local Black & Decker office at the address indicated in this manual. Alternatively, a list of authorised Black & Decker repair agents and full details of our after-sales service and contacts are available on the Internet at: www.2helpU.com.

Technical data

	PV9605 - H1 PV9605N - H1	PV1205 - H1 PV1205B - H1 PV1205N - H1 PV1205BN - H1
Voltage	Vdc 9.6	12.0
Weight	kg 1.5	1.6

	PV1405 - H1 PV1405N - H1	PV1805 - H1 PV1805N - H1 PV1805CN - H1
Voltage	Vdc 14.4	18.0
Weight	kg 1.7	1.9

Charger

Input voltage	Vac 230
Approx. charging time	h 16
Weight	kg 0.5

Design and Patent information

European Patent Application Number EP 05255024.1

European Community Design Registration Numbers:

423322-0001, 423322-0002 and 423322-0003

Guarantee

Black & Decker is confident of the quality of its products and offers an outstanding guarantee. This guarantee statement is in addition to and in no way prejudices your statutory rights. The guarantee is valid within the territories of the Member States of the European Union and the European Free Trade Area.

If a Black & Decker product becomes defective due to faulty materials, workmanship or lack of conformity, within 24 months from the date of purchase, Black & Decker guarantees to replace defective parts, repair products subjected to fair wear and tear or replace such products to make sure of the minimum inconvenience to the customer unless:

- ◆ The product has been used for trade, professional or hire purposes.
- ◆ The product has been subjected to misuse or neglect.

- ◆ The product has sustained damage through foreign objects, substances or accidents.
- ◆ Repairs have been attempted by persons other than authorised repair agents or Black & Decker service staff.

To claim on the guarantee, you will need to submit proof of purchase to the seller or an authorised repair agent. You can check the location of your nearest authorised repair agent by contacting your local Black & Decker office at the address indicated in this manual. Alternatively, a list of authorised Black & Decker repair agents and full details of our after-sales service and contacts are available on the Internet at: www.2helpU.com.

Please visit our website www.blackanddecker.co.uk to register your new Black & Decker product and to be kept up to date on new products and special offers. Further information on the Black & Decker brand and our range of products is available at www.blackanddecker.co.uk.

Bestimmungsgemäße Verwendung

Der Handstaubsauger Black & Decker Dustbuster® wurde zum Saugen von leichtem, trockenem Schmutz entwickelt. Dieses Gerät ist nicht für den gewerblichen Einsatz vorgesehen.

Allgemeine Sicherheitswarnungen für das Gerät



Achtung! Beachten Sie beim Umgang mit netzstrombetriebenen/kabellosen Geräten stets die grundlegenden Sicherheitshinweise, die im Folgenden beschrieben werden. Dadurch verhindern Sie Brände, Stromschläge sowie Sach- und Personenschäden.

- ◆ Lesen Sie diese Anleitung vollständig und aufmerksam durch, bevor Sie das Gerät zum ersten Mal verwenden.
- ◆ Der vorgesehene Verwendungszweck ist in dieser Anleitung beschrieben. Bei Verwendung von Zubehör oder Anbauteilen, die nicht in dieser Anleitung empfohlen werden, sowie bei der Verwendung des Geräts in Abweichung von den in dieser Anleitung beschriebenen Verfahren besteht Verletzungsgefahr.

Der Begriff „Gerät“ bezieht sich auf netzbetriebene Geräte (mit Netzkabel) und auf akkubetriebene Geräte (ohne Netzkabel).

Bewahren Sie alle Warnungen und Anweisungen gut auf.

Verwendung des Geräts

Verwenden Sie das Gerät stets mit Umsicht.

- ◆ Sorgen Sie für einen sauberen und gut ausgeleuchteten Arbeitsbereich. Unordnung oder dunkle Arbeitsbereiche können zu Unfällen führen.
- ◆ Betreiben Sie das Gerät nur bei Tageslicht oder bei ausreichender Beleuchtung.
- ◆ Betreiben Sie das Gerät nicht in explosionsgefährdeter Umgebung, in der sich brennbare Flüssigkeiten, Gase oder Stäube befinden.
- ◆ Das Gerät darf nicht von Kindern und Personen genutzt werden, die die vorliegenden Anleitungen nicht gelesen haben.
- ◆ Achten Sie darauf, dass sich im Arbeitsbereich keine Kinder oder Tiere aufhalten. Verhindern Sie, dass Kinder das Gerät oder das Netzkabel berühren.
- ◆ Halten Sie Kinder, Zuschauer und Tiere während der Benutzung von Geräten fern. Bei Ablenkung können Sie die Kontrolle verlieren.
- ◆ Das Gerät ist kein Spielzeug.
- ◆ Tauchen Sie das Gerät nicht in Wasser.
- ◆ Versuchen Sie nicht, das Gehäuse zu öffnen. Im Inneren befinden sich keine zu wartenden Teile.

Sicherheit von Personen

- ◆ Seien Sie aufmerksam, achten Sie darauf, was Sie tun, und gehen Sie sachgerecht mit dem Gerät um. Benutzen Sie das Gerät nicht, wenn Sie müde sind oder unter dem Einfluss von Drogen, Alkohol oder Medikamenten stehen. Ein Moment der Unachtsamkeit beim Gebrauch von Geräten kann zu ernsthaften Verletzungen führen.
- ◆ Verwenden Sie ggf. eine geeignete Schutzausrüstung. Schutzausrüstung wie Augenschutz, rutschfeste Sicherheitsschuhe, Schutzhelm oder Gehörschutz, je nach Art und Einsatz des Geräts, verringert das Risiko von Verletzungen.
- ◆ Vermeiden Sie eine unbeabsichtigte Inbetriebnahme. Vergewissern Sie sich, dass das Gerät ausgeschaltet ist, bevor Sie es an eine Steckdose oder einen Akku anschließen, es hochheben oder tragen. Durch das Tragen des Geräts mit dem Finger am Schalter oder durch das Anschließen eingeschalteter Geräte werden Unfälle provoziert.
- ◆ Beugen Sie sich nicht zu weit nach vorne über. Achten Sie auf einen sicheren Stand, um in jeder Arbeitsposition das Gleichgewicht zu halten. Dadurch können Sie das Gerät in unerwarteten Situationen besser unter Kontrolle halten.
- ◆ Tragen Sie geeignete Kleidung. Tragen Sie keine weite Kleidung oder Schmuck. Halten Sie Haare, Kleidung und Handschuhe fern von sich bewegenden Teilen. Weite Kleidung, Schmuck oder lange Haare können von sich bewegenden Teilen erfasst werden.

Gebrauch und Pflege von Geräten

- ◆ Prüfen Sie das Gerät vor der Verwendung auf beschädigte oder defekte Teile. Prüfen Sie, ob Teile gebrochen sind, Schalter beschädigt sind oder andere Bedingungen vorliegen, die die Funktion beeinträchtigen könnten.
- ◆ Betreiben Sie das Gerät nicht, wenn der Schalter zum Ein- und Ausschalten nicht funktioniert. Ein Gerät, das sich nicht mehr ein- oder ausschalten lässt, ist gefährlich und muss repariert werden.
- ◆ Ziehen Sie den Stecker aus der Steckdose, und/oder trennen Sie das Gerät vom Akku, bevor Sie Einstellungen vornehmen, Zubehörteile wechseln oder das Gerät lagern. Diese Vorsichtsmaßnahmen verhindern den unbeabsichtigten Start des Geräts.
- ◆ Halten Sie ggf. die Schneidwerkzeuge scharf und sauber. Sorgfältig gepflegte Schneidwerkzeuge mit scharfen Schneidkanten verklemmen sich seltener und sind leichter zu führen.
- ◆ Betreiben Sie das Gerät nicht, wenn ein Teil beschädigt oder defekt ist.

- ◆ Lassen Sie beschädigte oder defekte Teile in einer Vertragswerkstatt reparieren oder austauschen.
- ◆ Ersetzen oder entfernen Sie keine Teile, für die in dieser Anleitung keine entsprechende Beschreibung enthalten ist.

Elektrische Sicherheit

- ◆ Der Netzstecker des Geräts muss in die Steckdose passen. Der Stecker darf in keiner Weise verändert werden. Verwenden Sie für schutzgeerdete Geräte keine Adapterstecker. Unveränderte Stecker und passende Steckdosen verringern das Risiko eines elektrischen Schlags.
- ◆ Schützen Sie das Gerät vor Regen und Feuchtigkeit. Das Eindringen von Wasser in das Gerät erhöht das Risiko eines elektrischen Schlags.
- ◆ Verwenden Sie das Kabel ordnungsgemäß. Verwenden Sie das Kabel niemals zum Tragen. Trennen Sie das Gerät nicht durch Ziehen am Kabel vom Netz. Halten Sie das Kabel fern von Hitze, Öl, scharfen Kanten oder sich bewegenden Teilen. Beschädigte oder verwickelte Kabel erhöhen das Risiko eines elektrischen Schlags.
- ◆ Nur für den Außenbereich zugelassene Verlängerungskabel, wenn Sie mit dem Gerät im Freien arbeiten. Die Verwendung eines für den Außenbereich geeigneten Verlängerungskabels verringert das Risiko eines elektrischen Schlags.
- ◆ Wenn ein Gerät in einer feuchten Umgebung verwendet werden muss, schließen Sie es unbedingt an eine Steckdose mit Fehlerstromschutzschalter (FI-Schalter) an. Ein Fehlerstromschutzschalter verringert das Risiko eines elektrischen Schlags.

Verwendung und Pflege akkubetriebener Geräte (nur kabellose Geräte)

- ◆ Laden Sie den Akku nur mit dem vom Hersteller vorgesehenen Ladegerät auf. Die Verwendung von Ladegeräten, die für eine andere Art von Akku bestimmt sind, kann dazu führen, dass sich der Akku beim Laden entzündet.
- ◆ Verwenden Sie nur die für das jeweilige Gerät vorgesehenen Akkus. Die Verwendung anderer Akkus kann zu Verletzungen oder Bränden führen.
- ◆ Bewahren Sie den Akku bei Nichtbenutzung nicht in der Nähe metallischer Objekte wie Büroklammern, Münzen, Schlüsseln, Nägeln oder Schrauben auf, da diese eine Verbindung zwischen beiden Polen des Akkus herstellen können. Durch den dadurch entstehenden Kurzschluss kann der Akku in Brand geraten.

- ◆ Durch unsachgemäßen Gebrauch können Flüssigkeiten aus dem Akku austreten. Berühren Sie diese nicht! Sollten Sie dennoch unbeabsichtigt mit diesen in Berührung kommen, waschen Sie die betroffenen Stellen sofort mit reichlich Wasser ab. Suchen Sie sofort einen Arzt auf, wenn die Flüssigkeit in Kontakt mit Ihren Augen gekommen ist. Aus Akkus austretende Flüssigkeiten können Reizungen oder Verbrennungen hervorrufen.

Nach dem Gebrauch

- ◆ Bewahren Sie das Gerät bei Nichtgebrauch an einem trockenen, gut belüfteten Ort außerhalb der Reichweite von Kindern auf.
- ◆ Kinder sollten keinen Zugang zu aufbewahrten Geräten haben.
- ◆ Wenn das Gerät in einem Fahrzeug transportiert oder gelagert wird, bewahren Sie es im Kofferraum oder einer geeigneten Ablage auf, damit es bei plötzlichen Geschwindigkeits- oder Richtungsänderungen nicht in Bewegung geraten kann.

Service

- ◆ Lassen Sie das Gerät nur von qualifiziertem Fachpersonal und nur mit Originalersatzteilen reparieren. So wird gewährleistet, dass die Sicherheit des Geräts erhalten bleibt.

Zusätzliche Sicherheitshinweise für Akkus und Ladegeräte

Akkus

- ◆ Auf keinen Fall öffnen.
- ◆ Achten Sie darauf, dass der Akku nicht mit Wasser in Berührung kommt.
- ◆ Setzen Sie den Akku keinen hohen Temperaturen aus.
- ◆ Nicht bei Temperaturen über 40 °C lagern.
- ◆ Laden Sie den Akku ausschließlich bei Umgebungstemperaturen zwischen 10 °C und 40 °C.
- ◆ Verwenden Sie ausschließlich das mit dem Gerät gelieferte Ladegerät. Das Verwenden des falschen Ladegeräts kann zu einem Stromschlag oder dem Überhitzen des Akkus führen.
- ◆ Bei der Entsorgung von Akkus oder Batterien die Hinweise im Abschnitt „Umweltschutz“ beachten.
- ◆ Der Akku darf nicht durch mechanische Kräfteinwirkung oder Belastungen beschädigt oder verformt werden. Andernfalls besteht Verletzungs- und Brandgefahr.
- ◆ Laden Sie beschädigte Akkus nicht auf.

- ◆ Unter extremen Bedingungen können Akkus undicht werden. Wenn Sie feststellen, dass aus dem Akku Flüssigkeit austritt, wischen Sie diese vorsichtig mit einem Tuch ab. Vermeiden Sie Hautkontakt.
- ◆ Beachten Sie nach Haut- oder Augenkontakt die folgenden Hinweise.

Achtung! Batteriesäure kann Sach- oder Personenschäden verursachen. Spülen Sie die Säure nach Hautkontakt sofort mit Wasser ab. Suchen Sie einen Arzt auf, wenn sich auf der Haut Rötungen, Reizungen oder andere Irritationen zeigen. Spülen Sie das Auge nach Augenkontakt sofort mit sauberem Wasser aus, und suchen Sie einen Arzt auf.

Ladegeräte

Das Ladegerät ist für eine bestimmte Spannung ausgelegt. Stellen Sie sicher, dass die Netzspannung der auf dem Typenschild des Geräts angegebenen Spannung entspricht.

Achtung! Ersetzen Sie das Ladegerät keinesfalls durch ein normales Netzkabel.

- ◆ Verwenden Sie das Black & Decker Ladegerät nur für den Akku des Geräts, mit dem es geliefert wurde. Andere Akkus könnten platzen und Sachschäden oder Verletzungen verursachen.
- ◆ Versuchen Sie keinesfalls, nicht aufladbare Batterien zu laden.
- ◆ Ist das Netzkabel beschädigt, muss es durch den Hersteller oder eine Black & Decker Vertragswerkstatt ausgetauscht werden, um eine mögliche Gefährdung zu vermeiden.
- ◆ Achten Sie darauf, dass das Ladegerät nicht mit Wasser in Berührung kommt.
- ◆ Versuchen Sie nicht, das Ladegerät zu öffnen.
- ◆ Nehmen Sie am Ladegerät keine Veränderungen vor.
- ◆ Während das Gerät/der Akku geladen wird, muss auf ausreichende Belüftung geachtet werden.

Elektrische Sicherheit



Das Ladegerät ist schutzisoliert, daher ist keine Erdleitung erforderlich. Stellen Sie sicher, dass die Netzspannung der auf dem Typenschild des Geräts angegebenen Spannung entspricht.

Ist das Netzkabel beschädigt, muss es durch den Hersteller oder eine Black & Decker Vertragswerkstatt ausgetauscht werden, um eine mögliche Gefährdung zu vermeiden.

Achtung! Ersetzen Sie das Ladegerät keinesfalls durch ein normales Netzkabel.

Sicherheit anderer Personen

- ◆ Dieses Gerät darf nicht von Personen (einschließlich Kindern) mit eingeschränkten körperlichen, sensorischen oder geistigen Fähigkeiten sowie mangelnder Erfahrung und Wissen in Bezug auf dessen Gebrauch bedient werden, es sei denn, sie werden bei der Verwendung des Geräts von einer für die Sicherheit verantwortlichen Person beaufsichtigt oder angeleitet.
- ◆ Kinder müssen beaufsichtigt werden, um sicherzustellen, dass sie nicht mit dem Gerät spielen.

Symbole an der Ladestation



Die Ladestation ist schutzisoliert, daher ist keine Erdleitung erforderlich.



Ausfallsicherer Trenntrafo. Der Trafoausgang ist elektrisch von der Netzstromversorgung getrennt.



Bei extrem hohen Umgebungstemperaturen schaltet sich das Ladegerät automatisch ab. Das Ladegerät lässt sich danach nicht mehr in Betrieb nehmen. Es muss dann von der Netzstromversorgung getrennt und in einer Vertragswerkstatt repariert werden.



Die Ladestation darf nur im Innenbereich verwendet werden.



Die Oberflächen können während des Betriebs und beim Abkühlen heiß sein.

Merkmale

1. Entriegelung der Behälterklappe
2. Behälterklappe
3. Verriegelungstaste des Staubbehälters
4. Ein-/Ausschalter mit zweistufiger Geschwindigkeitswahl
5. Filterreinigungsrad
6. Ladeanzeige
7. Ladestation
8. Staubbehälterverlängerung
9. Staubbehälter

Abb. D

10. Fugendüse (optional, siehe Verpackung)
11. Bürstenaufsatz (verstaubt an der Unterseite des Geräts)

Installation

Anbringen der Ladestation an der Wand (Abb. A)

Die Ladestation kann auf einer Arbeitsfläche abgelegt oder an einer Wand befestigt werden, so dass ein bequem erreichbarer Ort zum Aufbewahren und Laden des Geräts zur Verfügung steht.

Achten Sie bei der Wandmontage darauf, dass die gewählten Befestigungsmittel für den jeweiligen Wandbaustoff geeignet sind und das Gerätegewicht tragen können.

Montage

Einstellen des Staubbehälters (Abb. B und C)

- ◆ Der Staubbehälter (9) wird an der Unterseite des Geräts verstaut. Zum Einstellen des Staubbehälters heben Sie das Gerät aus der Ladestation.
- ◆ Drücken Sie die Verriegelungstaste des Staubbehälters (3), und drehen Sie den Staubbehälter in die gewünschte Position.
- ◆ Lassen Sie die Verriegelungstaste los, um den Staubbehälter an dieser Position zu arretieren.
- ◆ Der Staubbehälter kann verlängert werden. Ziehen Sie hierzu die Staubbehälterverlängerung (8) heraus, bis diese einrastet.
- ◆ Wenn Sie die Verlängerung nicht mehr benötigen, drücken Sie die Taste (13) und schieben die Verlängerung in den Staubbehälter zurück.
- ◆ Nach dem Gebrauch des Geräts und während des Ladevorgangs sollte der Staubbehälter wieder an der Aufbewahrungsposition unter dem Gerät verstaut werden.

Anbringen des Zubehörs (Abb. D)

Diese Modelle werden mit einigen oder allen der folgenden Zubehörteile ausgeliefert:

- ◆ Fugendüse (10) für beengte Platzverhältnisse
- ◆ Bürstenaufsatz (11) für Möbel und Treppen

So bringen Sie ein Zubehörteil an:

- ◆ Nehmen Sie das benötigte Zubehörteil vom Gerät ab.
- ◆ Schieben Sie das Zubehörteil vorn in die Saugöffnung des Geräts ein.

Gebrauch

- ◆ Vor der erstmaligen Verwendung des Geräts muss der Akku mindestens 16 Stunden lang aufgeladen werden.
- ◆ Setzen Sie das Gerät in die Ladestation ein, wenn Sie es nicht verwenden.

Laden des Akkus (Abb. E)

- ◆ Vergewissern Sie sich, dass das Gerät ausgeschaltet ist. Wenn sich der Ein-/Ausschalter in der Stellung „Ein“ befindet, wird der Akku nicht geladen.
- ◆ Setzen Sie das Gerät wie in der Abbildung gezeigt in die Ladestation (7) ein.
- ◆ Schließen Sie das Ladegerät an eine Netzsteckdose an. Schalten Sie ggf. die Netzstromversorgung ein.

Die Ladeanzeige (6) leuchtet.

- ◆ Warten Sie mindestens 16 Stunden, damit der Akku vollständig aufgeladen wird.

Das Ladegerät kann sich während des Aufladens erwärmen. Dies ist normal und deutet nicht auf ein Problem hin. Das Ladegerät kann beliebig lange am Gerät angeschlossen bleiben. Die Ladeanzeige (6) leuchtet so lange, wie das Gerät an das in die Netzsteckdose eingesteckte Ladegerät angeschlossen ist.

Achtung! Laden Sie den Akku nicht, wenn die Umgebungstemperatur unter 4 °C oder über 40 °C liegt.

Ein- und Ausschalten (Abb. F)

- ◆ Schieben Sie den Ein-/Ausschalter (4) nach vorne in Position 1, um das Gerät einzuschalten.
- ◆ Schieben Sie den Ein-/Ausschalter (4) nach vorne in Position 2, um die volle Geräteleistung zu aktivieren.
- ◆ Schieben Sie den Ein-/Ausschalter (4) zurück in Position 0, um das Gerät auszuschalten.

Optimieren der Saugkraft (Abb. G - I)

Damit das Gerät stets die bestmögliche Saugkraft erzeugt, müssen die Filter während des Gebrauchs regelmäßig gereinigt werden.

- ◆ Drehen Sie das Rad (5) einige Umdrehungen, um den Staub auszuschütteln, der die Filter (14 und 15) verstopft.

Reinigung und Pflege

Achtung! Reinigen Sie die Filter (14 und 15) in regelmäßigen Abständen.

Reinigen des Staubbehälters und der Filter (Abb. H - J)

Die Filter sind wieder verwendbar und sollten regelmäßig gereinigt werden.

- ◆ Drücken Sie die Entriegelung (1), und öffnen Sie die Behälterklappe (2) (Abb. H).
- ◆ Leeren Sie den Staubbehälter.
- ◆ Entfernen Sie die Filter (14 und 15) durch Drehen gegen den Uhrzeigersinn (Abb. I).
- ◆ Entfernen Sie mit Hilfe einer Bürste losen Staub von den Filtern.

- ◆ Spülen Sie die Filter in warmer Seifenlauge aus (Abb. J).
- ◆ Lassen Sie die Filter anschließend vollständig trocknen.
- ◆ Bringen Sie die Filter (14 und 15) wieder am Gerät an. Drehen Sie die Filter dazu im Uhrzeigersinn, bis diese an der Endposition einrasten.
- ◆ Schließen Sie die Behälterklappe (2). Die Entriegelung (1) muss hörbar einrasten.

Achtung! Betreiben Sie das Gerät nie ohne Filter. Die beste Reinigungswirkung erzielen Sie bei sauberen Filtern.

Ersetzen der Filter

Die Filter sollten alle 6 bis 9 Monate ersetzt werden, bei sichtbaren Verschleißspuren oder Beschädigungen auch früher. Ersatzfilter erhalten Sie im Black & Decker Fachhandel (Katalognr. VF50).

- ◆ Entfernen Sie die alten Filter wie oben beschrieben.
- ◆ Bringen Sie die neuen Filter wie oben beschrieben an.

Wartung

Ihr Black & Decker Gerät (mit und ohne Netzkabel) wurde im Hinblick auf eine lange Lebensdauer und einen möglichst geringen Wartungsaufwand entwickelt. Ein dauerhafter, einwandfreier Betrieb setzt eine regelmäßige Pflege und Reinigung voraus.

Achtung! Vor dem Ausführen jeglicher Wartungsarbeiten an Geräten mit und ohne Netzkabel:

- ◆ Schalten Sie das Gerät aus, und ziehen Sie den Netzstecker.
- ◆ Wenn das Gerät über einen separaten Akku verfügt, schalten Sie das Gerät ab, und entnehmen Sie den Akku aus dem Gerät.
- ◆ Wenn der Akku integriert ist, entladen Sie diesen vor dem Abschalten vollständig.
- ◆ Ziehen Sie das Ladegerät aus der Netzsteckdose, bevor Sie es reinigen. Das Ladegerät benötigt keine Wartung, es sollte aber regelmäßig gereinigt werden.

Reinigen Sie regelmäßig die Lüftungsschlitze des Geräts und des Ladegeräts mit einer weichen Bürste oder einem trockenen Tuch.

Reinigen Sie regelmäßig das Motorgehäuse mit Hilfe eines feuchten Tuchs. Verwenden Sie keine scheuernden Reinigungsmittel oder Reinigungsmittel auf Lösungsmittelbasis.

Öffnen Sie regelmäßig das Spannfutter, und entfernen Sie durch Klopfen ggf. Staub aus dem Inneren des Geräts.

Umweltschutz



Getrennte Entsorgung. Dieses Produkt darf keinesfalls mit dem Hausmüll entsorgt werden.

Sollten Sie Ihr Black & Decker Produkt eines Tages ersetzen oder nicht mehr benötigen, entsorgen Sie es nicht mit dem Hausmüll. Führen Sie das Produkt einer getrennten Sammlung zu.



Durch die getrennte Sammlung von ausgedienten Produkten und Verpackungsmaterialien können Rohstoffe recycelt und wiederverwendet werden. Die Wiederverwendung aufbereiteter Materialien trägt zur Vermeidung der Umweltverschmutzung bei und senkt den Rohstoffbedarf.

Die Verordnung zur Abfallentsorgung Ihrer Gemeinde sieht möglicherweise vor, dass Elektrogeräte getrennt vom Hausmüll gesammelt, an der örtlichen Abfallentsorgungseinrichtung abgegeben oder beim Kauf eines neuen Produkts vom Fachhandel zur Entsorgung angenommen werden müssen.

Black & Decker nimmt Ihre ausgedienten Black & Decker Geräte gern zurück und sorgt für eine umweltfreundliche Entsorgung bzw. Wiederverwertung. Um diese Dienstleistung in Anspruch zu nehmen, geben Sie das Gerät bitte bei einer autorisierten Reparaturwerkstatt ab, die für uns die Einsammlung übernimmt.

Bitte fragen Sie Ihre zuständige Black & Decker Niederlassung (Adresse in dieser Anleitung) nach einer Vertragswerkstatt in Ihrer Nähe. Außerdem ist eine Liste der Vertragswerkstätten und aller Kundendienststellen von Black & Decker sowie der zuständigen Ansprechpartner im Internet zu finden unter: www.2helpU.com.

Technische Daten

	PV9605 - H1 PV9605N - H1	PV1205 - H1 PV1205B - H1 PV1205N - H1 PV1205BN - H1
Spannung	VDC 9,6	12,0
Gewicht	kg 1,5	1,6

	PV1405 - H1 PV1405N - H1	PV1805 - H1 PV1805N - H1 PV1805CN - H1
Spannung	VDC 14,4	18,0
Gewicht	kg 1,7	1,9

Ladegerät

Eingangsspannung	VAC 230
Ungefähre Dauer des Ladevorgangs	Std. 16
Gewicht	kg 0,5

Patent- und Geschmacksmusterschutz

Zum europäischen Patent angemeldet unter der Nummer EP 05255024.1

Registrierungsnummern für Geschmacksmuster in der Europäischen Union:

423322-0001, 423322-0002 und 423322-0003

Garantie

Black & Decker vertraut auf die Qualität der eigenen Geräte und bietet dem Käufer eine außergewöhnliche Garantie. Diese Garantiezusage versteht sich unbeschadet der gesetzlichen Gewährleistungsansprüche und schränkt diese keinesfalls ein. Sie gilt in sämtlichen Mitgliedstaaten der Europäischen Union und der Europäischen Freihandelszone EFTA.

Tritt innerhalb von 24 Monaten ab Kaufdatum an einem Gerät von Black & Decker ein auf Material- oder Verarbeitungsfehler bzw. auf Nichterfüllung von Normen zurückzuführender Mangel auf, garantiert Black & Decker den Austausch defekter Teile, die Reparatur von Geräten mit üblichem Verschleiß bzw. den Austausch eines mangelhaften Geräts, ohne dass dem Kunden dabei mehr als unvermeidlich Unannehmlichkeiten entstehen, allerdings vorbehaltlich folgender Ausnahmen:

- ◆ wenn das Gerät gewerblich, beruflich oder im Verleihgeschäft verwendet wurde;
- ◆ wenn das Gerät missbräuchlich verwendet oder mit mangelnder Sorgfalt behandelt wurde;
- ◆ wenn das Gerät durch Fremdeinwirkung beschädigt wurde;
- ◆ wenn ein unbefugter Reparaturversuch durch anderes Personal als das einer Vertragswerkstatt oder des Black & Decker Kundendiensts unternommen wurde.

Zur Inanspruchnahme dieser Garantie ist dem Verkäufer bzw. der Vertragswerkstatt ein Kaufnachweis vorzulegen. Die Adresse der zuständigen Niederlassung von Black & Decker steht in dieser Anleitung. Dort teilt man Ihnen gerne die nächstgelegene Vertragswerkstatt mit. Außerdem ist eine Liste der Vertragswerkstätten und aller Kundendienststellen von Black & Decker sowie der zuständigen Ansprechpartner im Internet zu finden unter: www.2helpU.com.

Bitte besuchen Sie unsere Website

www.blackanddecker.de, um Ihr neues Black & Decker Produkt zu registrieren. Dort erhalten Sie auch Informationen über neue Produkte und Sonderangebote. Weitere Informationen über die Marke Black & Decker und unsere Produkte finden Sie unter www.blackanddecker.de.

Utilisation

Votre aspirateur portable Dustbuster Black & Decker® est conçu pour les petits travaux de nettoyage. Il est destiné à une utilisation exclusivement domestique.

Consignes de sécurité concernant ce genre d'appareil



Attention ! De simples précautions sont à prendre pour l'utilisation d'appareil sans fil ou branché à l'alimentation principale. Les conseils suivants doivent toujours être appliqués, ceci afin de réduire le risque d'incendie, les chocs électriques, les blessures et les dommages matériels.

- ◆ Lisez attentivement et entièrement le manuel avant d'utiliser l'appareil.
- ◆ Ce manuel décrit la manière d'utiliser cet appareil. L'utilisation d'un accessoire ou d'une fixation, ou bien l'utilisation de cet appareil à d'autres fins que celles recommandées dans ce manuel d'instruction peut présenter un risque de blessures.

La notion « d'appareil » mentionnée dans les consignes de sécurité se rapporte à des appareils raccordés au secteur (avec câble de raccordement) ou alimenté par batterie.

Conservez tous les avertissements et instructions pour référence ultérieure.

Utilisation de votre appareil

Prenez toutes les précautions nécessaires pour utiliser l'appareil.

- ◆ Maintenez la zone de travail propre et bien éclairée. Un lieu de travail en désordre ou mal éclairé augmente le risque d'accidents.
- ◆ Utilisez cet appareil uniquement dans la journée ou avec un éclairage artificiel approprié.
- ◆ N'utilisez pas l'appareil dans un environnement présentant des risques d'explosion, ni en présence de liquides, gaz ou poussières inflammables.
- ◆ Ne laissez jamais les enfants ou toute autre personne ne connaissant pas ces instructions, utiliser l'appareil.
- ◆ Ne laissez pas les enfants ou les animaux s'approcher de la zone de travail ou toucher le fil électrique.
- ◆ Pendant l'utilisation d'un appareil, les enfants, les animaux et autres personnes doivent rester éloignés. En cas d'inattention, vous risquez de perdre le contrôle.
- ◆ Cet appareil ne doit pas être utilisé comme jouet.
- ◆ Ne plongez pas l'appareil dans l'eau.
- ◆ N'ouvrez pas le boîtier. Il n'y a aucune pièce réparable par l'utilisateur à l'intérieur.

Sécurité personnelle

- ◆ Restez vigilant, surveillez ce que vous faites. Faites preuve de bon sens quand vous utilisez un appareil. N'utilisez pas l'appareil lorsque vous êtes fatigué ou après avoir consommé de l'alcool ainsi que des médicaments. Un moment d'inattention lors de l'utilisation de l'appareil peut entraîner de graves blessures.
- ◆ Si nécessaire, portez un équipement de protection. Selon le travail à effectuer, le port d'équipement de protection tels que des lunettes de protection, un masque anti-poussières, des chaussures de sécurité antidérapantes, un casque ou des protections auditives, réduit le risque de blessures.
- ◆ Évitez un démarrage imprévu. L'appareil doit être en position OFF (arrêt) avant d'effectuer le branchement à l'alimentation et/ou au bloc-batterie ou de le porter. Ne laissez pas votre doigt sur le bouton de commande en le transportant. N'alimentez pas l'appareil si le bouton est activé. Ceci pourrait être à l'origine d'accident.
- ◆ Adoptez une position confortable. Adoptez une position stable et gardez votre équilibre en permanence. Vous contrôlerez mieux l'appareil dans des situations inattendues.
- ◆ Portez des vêtements appropriés. Ne portez pas de vêtements amples ou de bijoux. N'approchez pas les cheveux, vêtements ou gants des parties des pièces mobiles. Les vêtements amples, les bijoux ou les cheveux longs peuvent s'accrocher dans les pièces en mouvement.

Utilisation des appareils et précautions

- ◆ Avant l'utilisation, vérifiez si l'appareil est en bon état ou si aucune pièce ne manque. Recherchez des pièces cassées, des boutons endommagés et d'autres anomalies susceptibles de nuire au bon fonctionnement de l'appareil.
- ◆ N'utilisez pas l'appareil si la commande marche/arrêt est défectueuse. Un appareil qui ne peut plus être mis en marche/arrêt présente un danger et doit être réparé.
- ◆ Retirez la prise de courant et/ou débranchez le bloc-batterie avant d'effectuer des réglages, de changer les accessoires ou de ranger l'appareil. Cette mesure de précaution permet d'éviter une mise en marche involontaire.
- ◆ Le cas échéant, maintenez les outils de coupe aiguisés et propres. Des outils soigneusement entretenus avec des bords tranchants bien aiguisés se coincent moins souvent et peuvent être guidés plus facilement.

- ◆ N'utilisez pas l'appareil si une pièce est endommagée ou défectueuse.
- ◆ Faites réparer ou remplacer les pièces défectueuses ou endommagées par un réparateur agréé.
- ◆ Ne tentez jamais de retirer ou de remplacer des pièces autres que celles citées dans ce manuel.

Sécurité électrique

- ◆ Les prises de l'appareil doivent être adaptées à la prise de courant. Ne modifiez en aucun cas la prise. N'utilisez pas de prises d'adaptateur avec des appareils ayant une prise de terre. Le respect de ces consignes réduit le risque de choc électrique.
- ◆ N'exposez pas l'appareil à la pluie ni à l'humidité. La pénétration d'eau augmente le risque de choc électrique.
- ◆ Préservez le câble d'alimentation. N'utilisez pas le câble pour porter l'appareil, pour l'accrocher. Ne le tirez pas pour le débrancher. Maintenez le câble éloigné des sources de chaleurs, des parties huileées, des bords tranchants ou des pièces en rotation. Le risque de choc électrique augmente si les câbles sont endommagés ou emmêlés.
- ◆ En utilisant l'appareil à l'extérieur, utilisez une rallonge homologuée pour une utilisation à l'extérieur. L'utilisation d'une rallonge électrique homologuée pour les travaux à l'extérieur réduit le risque de choc électrique.
- ◆ Si l'appareil doit être utilisé dans un endroit humide, prenez les précautions nécessaires en utilisant un dispositif à courant résiduel (RCD). L'utilisation d'un tel dispositif réduit les risques d'électrocution.

Utilisation de la batterie et précautions (appareil sans fil uniquement)

- ◆ Ne rechargez qu'avec le chargeur proposé par le fabricant. Un chargeur destiné à un type de bloc-batteries risque de provoquer des incendies s'il est utilisé avec un bloc-batteries différent.
- ◆ N'utilisez les appareils qu'avec le bloc-batterie approprié. L'utilisation d'un autre bloc-batteries peut provoquer des blessures ou être à l'origine d'un feu.
- ◆ Quand le bloc-batterie n'est pas utilisé, éloignez-le d'objets en métal comme des agrafes, des pièces, des clés, des clous, des vis ou autres petits objets qui pourraient établir une connexion d'une borne à l'autre. Un tel court-circuit peut être à l'origine d'un feu ou de brûlures.
- ◆ En cas d'utilisation excessive, le liquide peut sortir de la batterie; évitez tout contact. Si vous n'avez pu éviter le contact, rincez à l'eau. En cas de contact avec les yeux, consultez un médecin. Le liquide sortant des batteries peut causer des irritations ou des brûlures.

Après l'utilisation

- ◆ Quand il n'est pas utilisé, l'appareil doit être rangé dans un endroit suffisamment aéré, sec et hors de portée des enfants.
- ◆ Les enfants ne doivent pas avoir accès aux appareils rangés.
- ◆ Quand l'appareil est rangé ou transporté dans un véhicule, il doit être installé dans le coffre ou correctement calé pour éviter les mouvements dus aux changements de direction ou de vitesse.

Réparations

- ◆ Faites réparer votre appareil uniquement par du personnel qualifié et seulement avec des pièces de rechange appropriées. Cela garantira le maintien de la sécurité de votre appareil.

Consignes de sécurité supplémentaires – batteries et chargeurs

Batteries

- ◆ En aucun cas, n'essayez d'ouvrir l'appareil.
- ◆ Ne mettez pas la batterie en contact avec l'eau.
- ◆ N'approchez pas la batterie d'une source de chaleur.
- ◆ Ne la rangez pas dans des endroits où la température peut dépasser 40 °C.
- ◆ Ne chargez qu'à température ambiante comprise entre 10 °C et 40 °C.
- ◆ N'utilisez que le chargeur fournis avec l'appareil/outil. Le non respect de cette consigne pourrait entraîner un électrotraumatisme ou une surchauffe de la batterie.
- ◆ Pour la mise au rebut des batteries, suivez les instructions données dans la section « Protection de l'environnement ».
- ◆ Ne déformez/n'endommagez pas le bloc batterie en le perçant ou en le cognant, ceci pourrait entraîner des blessures et un incendie.
- ◆ Ne chargez pas les batteries endommagées.
- ◆ Dans des conditions extrêmes, une batterie peut couler. Si vous détectez une fuite, utilisez un chiffon pour essuyer le liquide avec précaution. Évitez tout contact avec la peau.
- ◆ En cas de contact avec la peau ou les yeux, suivez les instructions ci-dessous.

Attention ! Le liquide de batterie peut provoquer des blessures ou des dommages. En cas de contact avec la peau, rincez immédiatement à l'eau. Si des rougeurs, une douleur ou une irritation se produisent, consultez un médecin. En cas de contact avec les yeux, rincez à l'eau et consultez immédiatement un médecin.

Chargeurs

Votre chargeur doit être utilisé avec une tension spécifique. Vérifiez toujours si la tension indiquée sur la plaque signalétique de l'appareil correspond à la tension de secteur.

Attention ! N'essayez jamais de remplacer le chargeur par une prise secteur.

- ◆ N'utilisez votre chargeur Black & Decker que pour charger la batterie fournie avec l'appareil/outil. D'autres batteries pourraient exploser, provoquant des blessures et des dommages.
- ◆ Ne tentez jamais de recharger des batteries non rechargeables.
- ◆ Si le câble d'alimentation est endommagé, il doit être remplacé par le fabricant ou par un centre de réparation agréé Black & Decker pour éviter tout risque.
- ◆ Ne mettez pas le chargeur en contact avec l'eau.
- ◆ N'ouvrez pas le chargeur.
- ◆ Ne tentez pas le chargeur.
- ◆ Pour le rechargement, placez l'appareil/outil/batterie dans un endroit correctement aéré.

Sécurité électrique



Votre chargeur est doublement isolé. Par conséquent, aucun câble de terre n'est nécessaire. Vérifiez toujours si la tension indiquée sur la plaque signalétique de l'appareil correspond à la tension de secteur.

Si le câble d'alimentation est endommagé, il doit être remplacé par le fabricant ou par un centre de réparation agréé Black & Decker pour éviter tout risque.

Attention ! N'essayez jamais de remplacer le chargeur par une prise secteur.

Sécurité des personnes

- ◆ Cet appareil ne doit pas être utilisé par des personnes (y compris les enfants) ayant des déficiences physiques, mentales ou sensorielles. Cette consigne s'applique aussi aux personnes manquant d'expérience et de connaissance du matériel, à moins que celles-ci n'aient reçu les instructions appropriées ou qu'elles ne soient encadrées par une personne responsable de leur sécurité pour utiliser l'appareil.
- ◆ Ne laissez jamais les enfants sans surveillance pour éviter qu'ils ne jouent avec cet appareil.

Symboles sur le support de charge



Votre support de charge est doublement isolé, par conséquent, aucun câble de masse n'est nécessaire.



Transformateur avec isolation de sécurité. L'alimentation secteur est électriquement indépendante de la sortie du transformateur.



Le chargeur est automatiquement mis hors service si la température ambiante devient trop élevée. Il est alors impossible de l'utiliser. Débranchez la base du chargeur de l'alimentation secteur pour la faire réparer dans un centre agréé.



Le support de charge ne peut être utilisé qu'à l'intérieur.



Les surfaces peuvent être chaudes pendant l'utilisation et pendant la période de refroidissement.

Caractéristiques

1. Système de verrouillage de la porte du boîtier de filtre
2. Couvercle du boîtier de filtre
3. Bouton de verrouillage du collecteur
4. Bouton marche/arrêt, deux vitesses
5. Couvercle du boîtier de filtre
6. Témoin de charge
7. Support de charge
8. Extension du collecteur de poussière
9. Collecteur de poussière

Figure D

10. Suceur plat (option, voir emballage)
11. Brosse (rangée à l'intérieur de l'appareil)

Installation

Fixation du support de charge au mur (figure A)

Pour faciliter le rangement et la mise en charge de l'appareil, le support de charge peut être installé sur une surface de travail ou au mur.

Pour l'installation au mur, assurez-vous que la fixation convient au type de mur et au poids de l'appareil.

Assemblage

Ajustement du collecteur de poussière (figures B et C)

- ◆ Le collecteur de poussière (9) est rangé sous l'appareil. Pour l'ajuster, soulevez l'appareil du support de charge.
- ◆ Appuyez sur le bouton de verrouillage du collecteur (3) et tournez le collecteur de poussière dans la position désirée.
- ◆ Relâchez le bouton de verrouillage du collecteur pour l'enclencher.
- ◆ Le collecteur de poussière peut être rallongé en tirant l'extension (8) jusqu'à l'enclenchement.
- ◆ Pour rétracter l'extension, il suffit de la repousser dans le collecteur de poussière en appuyant sur le bouton (13).
- ◆ Le collecteur de poussière doit être rangé sous l'appareil après l'utilisation ou quand celui-ci est en charge.

Fixation des accessoires (figure D)

Ces modèles sont livrés avec les accessoires suivants :

- ◆ Un suceur plat (10) pour les espaces restreints.
- ◆ Une brosse (11) pour les meubles et les escaliers.

Pour mettre en place un accessoire, effectuez ce qui suit :

- ◆ Retirez les accessoires de l'appareil.
- ◆ Insérez l'accessoire approprié à l'avant de l'appareil.

Utilisation

- ◆ Avant la première utilisation, la batterie doit être chargée pendant au moins 16 heures.
- ◆ Placez l'appareil sur le support de charge dès qu'il n'est pas utilisé.

Charge de la batterie (figure E)

- ◆ Assurez-vous que l'appareil est débranché. La batterie ne se recharge pas si le bouton marche/arrêt est en position de marche.
- ◆ Placez l'appareil sur le support de charge (7), comme indiqué.
- ◆ Branchez le chargeur. Branchez au secteur.

Le témoin de charge (6) clignote.

- ◆ Laissez l'appareil en charge pendant au moins 16 heures.

Pendant le chargement, le chargeur peut chauffer. Ceci est un phénomène normal qui ne représente aucun problème. L'appareil peut rester branché au chargeur en permanence. Le témoin de charge (6) clignote aussi longtemps que l'appareil est branché au chargeur.

Attention ! Ne chargez pas la batterie si la température ambiante est inférieure à 4 °C ou supérieure à 40 °C.

Mise en marche et arrêt (figure F)

- ◆ Pour mettre l'appareil en marche, glissez le bouton marche/arrêt (4) en position 1.
- ◆ Pour la puissance maximum, glissez le bouton marche/arrêt (4) vers la position 2.
- ◆ Pour arrêter l'appareil, repassez le bouton marche/arrêt (4) en position 0.

Force d'aspiration maximale (figures G – I)

Pour garder la force d'aspiration maximale, les filtres doivent être nettoyés régulièrement.

- ◆ Tournez le couvercle (5) de quelques tours pour faire sortir la poussière des filtres (14 et 15).

Nettoyage et entretien

Attention ! Nettoyez régulièrement les filtres (14 et 15).

Nettoyage du récipient de poussière et des filtres (figures H – J)

Les filtres sont réutilisables et doivent être nettoyés régulièrement.

- ◆ Appuyez sur le système de verrouillage (1) et ouvrez le couvercle du boîtier de filtre (2) (figure H).
- ◆ Videz la poussière.
- ◆ Retirez les filtres (14 et 15) en les tournant dans le sens contraire des aiguilles d'une montre (figure I).
- ◆ Brossez la poussière déposée sur les filtres.
- ◆ Nettoyez les filtres à l'eau chaude et au savon (figure J).
- ◆ Les filtres doivent être secs.
- ◆ Réinstallez les filtres (14 et 15) sur l'appareil, en les tournant dans le sens des aiguilles d'une montre jusqu'à ce qu'ils soient bloqués.
- ◆ Fermez le couvercle du boîtier de filtre (2). Enclenchez bien le système de verrouillage (1).

Attention ! N'utilisez jamais l'appareil sans les filtres.

Pour récupérer le maximum de poussière, les filtres propres doivent être propres.

Remplacement des filtres

Les filtres doivent être remplacés tous les 6 à 9 mois et chaque fois qu'ils sont usés ou endommagés. Vous trouverez des filtres de rechange chez votre revendeur Black & Decker (cat. n° VF50) :

- ◆ Retirez les filtres usés, comme décrit ci-dessus.
- ◆ Installez les filtres neufs, comme décrit ci-dessus.

Entretien

Votre appareil/outil sans fil/avec fil Black & Decker a été conçu pour fonctionner pendant longtemps avec un minimum d'entretien. Un fonctionnement continu satisfaisant dépend d'un nettoyage régulier et d'un entretien approprié de l'appareil/outil.

Attention ! À ne pas oublier avant l'entretien des appareils électriques sans fil/avec fil :

- ◆ Arrêtez l'appareil/outil, puis débranchez-le.
- ◆ Ou, arrêtez l'appareil et retirez la batterie de l'appareil/outil si celui-ci est muni d'un bloc-batterie séparé.
- ◆ Ou bien déchargez complètement la batterie si elle est intégrée au système, puis arrêtez l'appareil (position Off).
- ◆ Débranchez le chargeur avant de le nettoyer. Aucun entretien particulier n'est nécessaire pour le chargeur en dehors du nettoyage régulier.

Nettoyez régulièrement les orifices de ventilation de votre appareil/outil/chargeur à l'aide d'une brosse souple ou d'un chiffon sec.

Nettoyez régulièrement le compartiment du moteur à l'aide d'un chiffon humide. N'utilisez pas de produit abrasif ou à base de solvant.

Ouvrez régulièrement le mandrin et retirez la poussière à l'intérieur en le tapant (si installé).

Protection de l'environnement



Recyclage. Cet appareil ne doit pas être jeté avec les déchets ménagers.

Si votre appareil/outil Black & Decker doit être remplacé ou si vous ne l'utilisez plus, ne le jetez pas avec les ordures ménagères. Songez à la protection de l'environnement et recyclez-le.



La collecte séparée des produits et des emballages usagés permet de recycler et de réutiliser des matériaux. La réutilisation de matériaux recyclés évite la pollution de l'environnement et réduit la demande de matières premières.

Des réglementations locales peuvent stipuler la collecte séparée des produits électriques et des produits ménagers, dans des déchetteries municipales ou par le revendeur lorsque vous achetez un nouveau produit.

Black & Decker offre une solution permettant de recycler les produits Black & Decker lorsqu'ils ont atteint la fin de leur cycle de vie. Pour pouvoir profiter de ce service, veuillez retourner votre produit à un réparateur agréé qui se chargera de le collecter pour nous.

Pour connaître l'adresse du réparateur agréé le plus proche de chez vous, contactez le bureau Black & Decker à l'adresse indiquée dans ce manuel. Vous pourrez aussi trouver une liste de réparateurs agréés de Black & Decker et de plus amples détails sur notre service après-vente sur le site Internet à l'adresse suivante : www.2helpU.com.

Caractéristiques techniques

	PV9605 - H1 PV9605N - H1	PV1205 - H1 PV1205B - H1 PV1205N - H1 PV1205BN - H1
Tension	Vcc 9,6	12,0
Poids	kg 1,5	1,6

	PV1405 - H1 PV1405N - H1	PV1805 - H1 PV1805N - H1 PV1805CN - H1
Tension	Vcc 14,4	18,0
Poids	kg 1,7	1,9

Chargeur

Tension d'entrée	Vca 230
Durée approximative de charge	h 16
Poids	kg 0,5

Conception et brevet

Brevet européen, numéro d'application EP 05255024.1
Communauté européenne, numéros de conception :
423322-0001, 423322-0002 et 423322-0003

Garantie

Black & Decker assure la qualité de ses produits et vous offre une garantie très élargie. Ce certificat de garantie est un document supplémentaire et ne peut en aucun cas se substituer à vos droits légaux. La garantie est valable sur tout le territoire des États Membres de l'Union Européenne et de la Zone de Libre Échange Européenne.

Si un produit Black & Decker s'avère défectueux en raison de matériaux en mauvais état, d'une erreur humaine ou d'un manque de conformité dans les 24 mois suivant la date d'achat, Black & Decker garantit le remplacement des pièces défectueuses, la réparation des produits usés ou cassés ou remplace ces produits à la convenance du client, sauf dans les circonstances suivantes :

- ◆ Le produit a été utilisé dans un but commercial, professionnel ou a été loué.
- ◆ Le produit a été mal utilisé ou mal entretenu.

- ◆ Le produit a subi des dommages à cause de corps étrangers, de substances ou d'accidents.
- ◆ Des réparations ont été tentées par des techniciens ne faisant pas partie du service technique de Black & Decker.

Pour avoir recours à la garantie, il est nécessaire de fournir une preuve d'achat au vendeur ou à un réparateur agréé.

Pour connaître l'adresse du réparateur agréé le plus proche de chez vous, contactez le bureau Black & Decker à l'adresse indiquée dans ce manuel. Vous pourrez aussi trouver une liste de réparateurs agréés de Black & Decker et de plus amples détails sur notre service après-vente sur le site Internet à l'adresse suivante : **www.2helpU.com**.

Visitez notre site Web **www.blackanddecker.fr** pour enregistrer votre nouveau produit Black & Decker et être informé des nouveaux produits et des offres spéciales. Pour plus d'informations concernant la marque Black & Decker et notre gamme de produits, consultez notre site **www.blackanddecker.fr**.

Uso previsto

L'aspirapolvere portatile Black & Decker Dustbuster® è stato progettato per la pulizia leggera e a secco. L'elettrodomestico è stato progettato solo per uso domestico.

Avvisi di sicurezza generici per l'elettrodomestico



Attenzione! Quando si usano elettrodomestici alimentati elettricamente o senza fili, osservare sempre le normali precauzioni di sicurezza per ridurre il rischio di incendio, scosse elettriche, lesioni personali e danni materiali.

- ◆ Leggere attentamente il presente manuale prima di usare l'elettrodomestico.
- ◆ L'uso previsto è descritto nel presente manuale. Se questo elettrodomestico viene usato con accessori o per usi diversi da quelli raccomandati nel presente manuale d'uso, si potrebbero verificare lesioni personali.

Il termine "elettrodomestico" che ricorre in tutti gli avvisi seguenti si riferisce a utensili elettrici alimentati dalla rete (con filo) o a batteria (senza filo).

Conservare tutte le istruzioni e gli avvisi per futura consultazione.

Utilizzo dell'elettrodomestico

Prestare sempre attenzione quando si usa l'elettrodomestico.

- ◆ Tenere l'area di lavoro pulita e ben illuminata. Disordine o scarsa illuminazione possono causare incidenti.
- ◆ Usare l'elettrodomestico solo alla luce del giorno o con una buona luce artificiale.
- ◆ Evitare d'impiegare questo apparecchio in ambienti esposti al rischio di esplosione, ad esempio in presenza di liquidi, gas o polveri infiammabili.
- ◆ Vietare l'uso dell'elettrodomestico a bambini e ad adulti che non abbiano letto il presente manuale.
- ◆ Vietare a bambini o ad animali di avvicinarsi all'area di lavoro o di toccare l'elettrodomestico o il filo di alimentazione.
- ◆ Mantenere lontani bambini e astanti mentre si usa l'elettrodomestico. Eventuali distrazioni possono comportare la perdita del controllo dell'elettrodomestico.
- ◆ Questo elettrodomestico non deve essere usato come un giocattolo.
- ◆ Non immergere l'elettrodomestico in acqua.
- ◆ Non aprire il corpo dell'elettrodomestico, dato che al suo interno non vi sono componenti riparabili.

Sicurezza delle persone

- ◆ È importante concentrarsi su ciò che si sta facendo e maneggiare con giudizio l'elettrodomestico. Non adoperare l'elettrodomestico se si è stanchi o sotto l'effetto di stupefacenti, alcol o medicinali. Un attimo di distrazione può causare gravi infortuni personali.
- ◆ Se richiesto, usare l'equipaggiamento protettivo personale. Se si avrà cura d'indossare l'equipaggiamento protettivo necessario, ad esempio occhiali di protezione, una maschera antipolvere, delle calzature antiscivolo, un casco o delle otoprotezioni, si ridurrà il rischio di infortuni.
- ◆ Impedire l'avviamento involontario. Accertarsi che l'interruttore di accensione sia regolato su spento prima di collegare l'elettrodomestico all'alimentazione elettrica e/o al battery pack, di prenderlo in mano o di trasportarlo. Per non esporsi al rischio di incidenti, non trasportare gli elettrodomestici tenendo le dita sull'interruttore e non collegarli a un'alimentazione elettrica con l'interruttore già acceso.
- ◆ Non sporgersi. Mantenere sempre un buon equilibrio evitando posizioni instabili. In questo modo è possibile controllare meglio l'elettrodomestico in situazioni inaspettate.
- ◆ Vestirsi adeguatamente. Evitare di indossare indumenti larghi o gioielli. Tenere capelli, capi di vestiario e guanti lontani da parti in movimento. Capi di vestiario larghi, gioielli o capelli lunghi potrebbero impigliarsi nei componenti in movimento.

Utilizzo e cura dell'elettrodomestico

- ◆ Prima dell'impiego, controllare che l'elettrodomestico non sia danneggiato e non presenti parti difettose. Controllare che non vi siano parti rotte, che gli interruttori non siano danneggiati e che non vi siano altre condizioni che potrebbero avere ripercussioni sulle prestazioni.
- ◆ Non usare l'elettrodomestico se l'interruttore di accensione non funziona correttamente. Un elettrodomestico che non può essere controllato mediante l'interruttore è pericoloso e deve essere riparato.
- ◆ Scollegare la spina dalla presa di corrente e/o il battery pack dall'elettrodomestico prima di regolarlo o di riporlo oppure di sostituire gli accessori. Queste precauzioni riducono la possibilità che l'elettrodomestico venga messo in funzione accidentalmente.
- ◆ Se pertinente, mantenere affilati e puliti gli strumenti da taglio. Se sottoposti alla giusta manutenzione, gli strumenti da taglio con taglienti affilati s'incastrano meno frequentemente e sono più facili da manovrare.
- ◆ Non usare l'elettrodomestico se alcune parti sono danneggiate o difettose.

- ◆ Far riparare o sostituire le parti danneggiate o difettose da un tecnico autorizzato.
- ◆ Non tentare di smontare o sostituire qualsiasi parte ad eccezione di quelle specificate nel presente manuale.

Sicurezza elettrica

- ◆ Le spine elettriche dell'elettrodomestico devono essere adatte alle prese. Evitare assolutamente di modificare la spina elettrica. Non impiegare spine adattatrici con elettrodomestici provvisti di messa a terra. L'uso di spine inalterate e delle prese corrispondenti riduce il rischio di scosse elettriche.
- ◆ Custodire l'elettrodomestico al riparo dalla pioggia o dall'umidità. L'eventuale infiltrazione di acqua nell'elettrodomestico aumenta il rischio di scosse elettriche.
- ◆ Non esporre il cavo a sollecitazioni. Non usare il cavo per trasportare o trainare l'elettrodomestico e non tirarlo per estrarre la spina dalla presa di corrente. Mantenere il cavo al riparo da calore, olio, bordi taglienti e/o da parti in movimento. I cavi danneggiati o aggrovigliati aumentano il rischio di scosse elettriche.
- ◆ Se l'elettrodomestico viene adoperato all'aperto, usare esclusivamente prolunghe omologate per l'impiego all'esterno. Un cavo adatto per uso esterno riduce il rischio di scosse elettriche.
- ◆ Se non è possibile evitare di usare l'elettrodomestico in una zona umida, usare un'alimentazione elettrica protetta da un dispositivo a corrente residua (RCD). L'uso di un dispositivo RCD riduce il rischio di scosse elettriche.

Uso e cura degli elettrodomestici a batteria (solo elettrodomestici senza filo)

- ◆ Ricaricare solo usando l'alimentatore prescritto dal fabbricante. Un alimentatore idoneo a un determinato battery pack potrebbe essere causa di incendio se usato con un battery pack diverso.
- ◆ Usare gli elettrodomestici con gli appositi battery pack. L'impiego di battery pack di altro tipo potrebbe creare il rischio di lesioni e di incendi.
- ◆ Quando il battery pack non viene usato, tenerlo lontano da altri oggetti metallici tipo graffette, monete, chiavi, chiodi, viti o altri oggetti metallici di piccole dimensioni che potrebbero cortocircuitare un morsetto con l'altro. Se i morsetti della batteria vengono cortocircuitati si potrebbero causare ustioni o un incendio.
- ◆ A seguito di un uso improprio, la batteria potrebbe espellere del liquido; evitare ogni contatto. In caso di contatto accidentale, lavare con acqua. Se il liquido viene a contatto degli occhi, rivolgersi anche a un medico. Il liquido espulso dalla batteria potrebbe causare irritazioni o ustioni.

Dopo l'impiego

- ◆ Quando non viene usato, l'elettrodomestico deve essere conservato in un luogo asciutto e ben ventilato, fuori dalla portata dei bambini.
- ◆ Gli elettrodomestici non devono essere riposti alla portata dei bambini.
- ◆ Se viene conservato o trasportato in un veicolo, l'apparecchio deve essere messo nel bagagliaio o legato per evitare che si sposti in caso di cambiamento repentino della velocità o della direzione di marcia.

Riparazioni

- ◆ Fare riparare l'elettrodomestico solo ed esclusivamente da personale specializzato e solo impiegando pezzi di ricambio originali, onde non alterarne la sicurezza.

Istruzioni di sicurezza aggiuntive per batterie e alimentatori

Batterie

- ◆ Non tentare di aprirle per qualsiasi ragione.
- ◆ Non lasciare che la batteria si bagni.
- ◆ Non esporre la batteria al calore.
- ◆ Non riporre in luoghi dove la temperatura potrebbe superare i 40°C.
- ◆ Caricare solo a temperature ambiente tra 10°C e 40°C.
- ◆ Caricare solo usando l'alimentatore fornito con l'apparecchio/elettrodomestico. L'utilizzo dell'alimentatore sbagliato potrebbe causare scosse elettriche o il surriscaldamento della batteria.
- ◆ Quando si smaltiscono le batterie, seguire le istruzioni riportate al capitolo "Protezione dell'ambiente".
- ◆ Non danneggiare/deformare il battery pack forandolo o colpendolo per evitare il rischio di lesioni o di incendio.
- ◆ Non caricare le batterie danneggiate.
- ◆ In condizioni estreme, si potrebbe verificare la perdita di liquido dalle batterie. Se si nota la presenza di liquido sulle batterie, pulirle con attenzione con uno straccio. Evitare il contatto con l'epidermide.
- ◆ In caso di contatto con l'epidermide o gli occhi, seguire le istruzioni riportate di seguito.

Attenzione! Il liquido della batteria può causare lesioni alle persone o danni alle cose. In caso di contatto con la pelle, risciacquare immediatamente con acqua. In caso di rossore, dolore o irritazione, rivolgersi immediatamente a un medico. In caso di contatto con gli occhi, risciacquarli immediatamente con acqua pulita e consultare un medico.

Alimentatori

L'alimentatore è stato progettato per una tensione specifica. Controllare sempre che la tensione di rete corrisponda alla tensione indicata sulla targhetta dei dati tecnici.

Attenzione! Non tentare mai di sostituire l'alimentatore con una normale spina elettrica.

- ◆ Usare l'alimentatore Black & Decker solo per caricare la batteria nell'apparecchio/elettrodomestico con il quale è stato fornito. Altre batterie potrebbero scoppiare causando lesioni alle persone e danni.
- ◆ Non tentare mai di caricare batterie non ricaricabili.
- ◆ In caso di danneggiamento del filo di alimentazione, è necessario farlo riparare dal fabbricante o presso un centro assistenza Black & Decker autorizzato in modo da evitare eventuali pericoli.
- ◆ Non lasciare che l'alimentatore si bagni.
- ◆ Non aprire l'alimentatore.
- ◆ Non collegare l'alimentatore a sonde.
- ◆ L'apparecchio/elettrodomestico/batteria devono essere lasciati in una zona ben ventilata durante la carica.

Sicurezza elettrica



Il doppio isolamento di cui è provvisto l'alimentatore rende superfluo il filo di terra. Controllare sempre che la tensione di rete corrisponda alla tensione indicata sulla targhetta dati.

In caso di danneggiamento del filo di alimentazione, è necessario farlo riparare dal fabbricante o presso un centro assistenza Black & Decker autorizzato in modo da evitare eventuali pericoli.

Attenzione! Non tentare mai di sostituire l'alimentatore con una normale spina elettrica.

Sicurezza altrui

- ◆ Questo elettrodomestico non è stato progettato per impiego da parte di persone (o bambini) portatrici di handicap fisici, psichici o sensoriali o che non abbiano la dovuta esperienza o conoscenza, a meno che non siano seguite o opportunamente istruite sul suo utilizzo da parte di una persona responsabile della loro sicurezza.
- ◆ Controllare che i bambini non giochino con l'elettrodomestico.

Simboli sulla base di carica



Il doppio isolamento di cui è provvista la base di carica rende superfluo il filo di terra.



Trasformatore di isolamento con protezione incorporata. L'alimentazione di rete è separata elettricamente dall'erogazione del trasformatore.



L'alimentatore si spegne automaticamente se la temperatura ambiente aumenta eccessivamente. Di conseguenza l'alimentatore diventa inutilizzabile. In questi casi la base di carica deve essere scollegata dall'alimentazione di rete e portata presso un centro di assistenza autorizzato per le necessarie riparazioni.



La base di carica può solo essere usata all'interno.



Le superfici potrebbero riscaldarsi durante l'uso e durante il periodo di raffreddamento.

Caratteristiche

1. Dispositivo di apertura dello sportello del contenitore
2. Sportello del contenitore
3. Pulsante di chiusura della bocchetta raccogli-polvere
4. Interruttore di accensione a due velocità
5. Manopola di pulizia filtro
6. Indicatore di carica
7. Base di carica
8. Prolunga della bocchetta raccogli-polvere
9. Bocchetta raccogli-polvere

Fig. D

10. Bocchetta a lancia (opzionale, vedere confezione)
11. Spazzola (riposta nella parte inferiore dell'elettrodomestico)

Montaggio

Fissaggio della base di carica a parete (fig. A)

La base di carica può essere sistemata su un piano di lavoro o fissata a parete per avere un posto comodo dove riporre l'elettrodomestico e dove caricarlo.

Quando si fissa la base sulla parete, accertarsi che il metodo usato sia idoneo al tipo di parete e al peso dell'elettrodomestico.

Assemblaggio

Regolazione della bocchetta raccogli polvere (figg. B e C)

- ◆ La bocchetta raccogli polvere (9) è incorporata sotto all'elettrodomestico. Per regolarla per l'impiego, sollevare l'elettrodomestico dalla base di carica.
- ◆ Premere il pulsante di chiusura della bocchetta raccogli polvere (3) e ruotare quest'ultima nella posizione richiesta.
- ◆ Rilasciare il pulsante di chiusura della bocchetta raccogli polvere per fissarla in sede.
- ◆ La bocchetta raccogli polvere può essere allungata tirando la prolunga (8) fino a quando si aggancia in sede.
- ◆ La prolunga può essere fatta rientrare premendo il pulsante (13) e facendola rientrare nella bocchetta raccogli polvere.
- ◆ La bocchetta raccogli polvere deve essere fatta rientrare nella posizione normale sotto all'elettrodomestico dopo l'impiego e durante la carica.

Montaggio degli accessori (fig. D)

Questi modelli sono forniti con alcuni o con tutti gli accessori elencati di seguito.

- ◆ Una bocchetta a lancia (10) per spazi limitati.
- ◆ Una spazzola (11) per mobili e scale

Gli accessori si montano come descritto di seguito:

- ◆ Estrarre gli accessori dall'elettrodomestico.
- ◆ Inserire l'accessorio desiderato nella parte frontale dell'elettrodomestico.

Utilizzo

- ◆ Prima dell'utilizzo, caricare la batteria per almeno 16 ore.
- ◆ Appoggiare sempre l'elettrodomestico sulla base di carica quando non è utilizzato.

Carica della batteria (fig. E)

- ◆ Accertarsi che l'elettrodomestico sia spento. La batteria non si carica se l'interruttore di accensione è regolato su acceso.
- ◆ Appoggiare l'elettrodomestico sulla base di carica (7) come illustrato.
- ◆ Collegare l'alimentatore. Accendere l'alimentazione di rete.

L'indicatore di carica (6) si accende.

- ◆ Lasciare che l'elettrodomestico si carichi per almeno 16 ore.

Durante la carica, l'alimentatore potrebbe riscaldarsi.

Si tratta di un fatto normale che non indica che vi è un problema. L'elettrodomestico può essere lasciato collegato indefinitamente all'alimentatore. L'indicatore di carica (6) si accende se l'elettrodomestico è montato sull'alimentatore collegato a una presa elettrica.

Attenzione! Non caricare la batteria a temperature ambiente inferiori a 4°C o superiori a 40°C.

Accensione e spegnimento (fig. F)

- ◆ Per spegnere l'elettrodomestico, far scorrere in avanti l'interruttore di accensione (4) sulla posizione 1.
- ◆ Per ottenere l'aspirazione massima, far scorrere in avanti l'interruttore di accensione (4) sulla posizione 2.
- ◆ Per spegnere l'elettrodomestico, riportare l'interruttore di accensione (4) sulla posizione 0.

Massima forza aspirante (figg. G - I)

Per poter mantenere la massima forza aspirante, pulire regolarmente i filtri durante l'impiego.

- ◆ Ruotare la manopola (5) di alcuni giri per far uscire la polvere che intasa i filtri (14 e 15).

Pulizia e manutenzione

Attenzione! Pulire regolarmente i filtri (14 e 15).

Pulizia del contenitore raccogli polvere e dei filtri (figg. H - J)

I filtri sono riutilizzabili e devono essere puliti regolarmente.

- ◆ Premere il dispositivo di apertura (1) e aprire lo sportello del contenitore (2) (fig. H).
- ◆ Svuotare il contenitore raccogli polvere.
- ◆ Estrarre i filtri (14 e 15) ruotandoli in senso antiorario (fig. I).
- ◆ Spazzolare via l'eventuale polvere presente sui filtri.
- ◆ Lavare i filtri in acqua calda e insaponata (fig. J).
- ◆ Verificare che i filtri siano asciutti.
- ◆ Rimettere i filtri (14 e 15) sull'elettrodomestico, ruotandoli in senso orario fino a quando si insediano.
- ◆ Chiudere lo sportello del contenitore (2). Verificare che il dispositivo di apertura (1) si agganci in sede.

Attenzione! Non usare mai l'elettrodomestico senza i filtri. La raccolta ottimale della polvere si ottiene solo con i filtri puliti.

Sostituzione dei filtri

I filtri devono essere sostituiti ogni 6 - 9 mesi e quando sono usurati o danneggiati. I filtri di ricambio sono reperibili presso il rivenditore Black & Decker (n. cat. VF50):

- ◆ Estrarre i vecchi filtri come descritto in precedenza.
- ◆ Inserire i nuovi filtri come descritto qui sopra.

Manutenzione

Questo apparecchio/elettrodomestico Black & Decker con o senza filo è stato progettato per funzionare a lungo con una manutenzione minima. Per ottenere prestazioni sempre soddisfacenti occorre avere cura dell'elettrodomestico e sottoporlo a manutenzione periodica.

Attenzione! Prima di eseguire interventi di manutenzione su elettrodomestici con o senza filo procedere come descritto di seguito.

- ◆ Spegnerne e scollegare l'apparecchio/elettrodomestico dalla presa.
- ◆ Oppure spegnere ed estrarre la batteria se l'apparecchio/elettrodomestico è dotato di battery pack a parte.
- ◆ Oppure scaricare completamente la batteria se è di tipo integrale e quindi spegnerlo.
- ◆ Scollegare l'alimentatore prima di pulirlo. L'alimentatore non richiede nessuna manutenzione salvo una regolare pulitura.

Pulire regolarmente le prese di ventilazione dell'apparecchio/elettrodomestico/alimentatore con un pennello o con un panno morbido e asciutto.

Il vano del motore deve essere pulito regolarmente con un panno umido. Non usare materiali abrasivi o detergenti a base di solventi.

Aprire regolarmente il mandrino e batterlo leggermente per eliminare la polvere dall'interno (se in dotazione).

Protezione dell'ambiente



Raccolta differenziata. Questo prodotto non deve essere smaltito con i normali rifiuti domestici.

Nel caso in cui l'elettrodomestico Black & Decker debba essere sostituito o non sia più necessario, non smaltirlo con i normali rifiuti domestici. Metterlo da parte per la raccolta differenziata.



La raccolta differenziata dei prodotti e degli imballaggi utilizzati consente il riciclaggio dei materiali e il loro continuo utilizzo. Il riutilizzo dei materiali riciclati favorisce la protezione dell'ambiente prevenendo l'inquinamento e riduce il fabbisogno di materie prime.

Seguire la regolamentazione locale per la raccolta differenziata dei prodotti elettrici che può prevedere punti di raccolta o la consegna dell'elettrodomestico al rivenditore presso il quale viene acquistato un nuovo prodotto.

Black & Decker offre ai propri clienti la possibilità di riciclare i prodotti Black & Decker che hanno esaurito la loro vita di servizio. Per usufruire di tale servizio, è sufficiente restituire il prodotto a qualsiasi tecnico autorizzato, incaricato della raccolta per conto dell'azienda.

Per individuare il tecnico autorizzato più vicino, rivolgersi alla sede Black & Decker locale, presso il recapito indicato nel presente manuale. Altrimenti, un elenco completo di tutti i tecnici autorizzati Black & Decker e i dettagli completi sui contatti e i servizi post-vendita sono disponibili su Internet all'indirizzo: www.2helpU.com.

Dati tecnici

	PV9605 - H1	PV1205 - H1
	PV9605N - H1	PV1205B - H1
		PV1205N - H1
		PV1205BN - H1
Tensione	V c.c. 9,6	12,0
Peso	kg 1,5	1,6

	PV1405 - H1	PV1805 - H1
	PV1405N - H1	PV1805N - H1
		PV1805CN - H1
Tensione	V c.c. 14,4	18,0
Peso	kg 1,7	1,9

Alimentatore

Tensione in ingresso	V c.a. 230
Tempo di carica approssimativo	h 16
Peso	kg 0,5

Informazioni su design e brevetto

Numero della richiesta di brevetto europeo EP 05255024.1

Numeri di registrazione del modello depositato presso la Comunità Europea:

423322-0001, 423322-0002 e 423322-0003

Garanzia

Certa della qualità dei suoi prodotti, Black & Decker offre una garanzia eccezionale. Il presente certificato di garanzia è complementare ai diritti legali e non li pregiudica in alcun modo. La garanzia è valida entro il territorio degli Stati membri dell'Unione Europea e dell'EFTA (European Free Trade Area).

Se un prodotto Black & Decker risulta difettoso per qualità del materiale, della costruzione o per mancata conformità entro 24 mesi dalla data di acquisto, Black & Decker garantisce la sostituzione delle parti difettose, provvede alla riparazione dei prodotti se ragionevolmente usurati oppure alla loro sostituzione, in modo da ridurre al minimo il disagio del cliente a meno che:

- ◆ il prodotto non sia stato destinato a usi commerciali, professionali o al noleggio;
- ◆ il prodotto non sia stato usato in modo improprio o scorretto;
- ◆ il prodotto non abbia subito danni causati da oggetti o sostanze estranee oppure incidenti;
- ◆ il prodotto non abbia subito tentativi di riparazione non effettuati da tecnici autorizzati né dall'assistenza Black & Decker.

Per attivare la garanzia è necessario esibire la prova di acquisto al venditore o al tecnico autorizzato. Per individuare il tecnico autorizzato più vicino, rivolgersi alla sede Black & Decker locale, presso il recapito indicato nel presente manuale. Altrimenti, un elenco completo di tutti i tecnici autorizzati Black & Decker e i dettagli completi sui contatti e i servizi post-vendita sono disponibili su Internet all'indirizzo: **www.2helpU.com**.

I clienti che desiderano registrare il nuovo prodotto Black & Decker e ricevere gli aggiornamenti sui nuovi prodotti e le offerte speciali, sono invitati a visitare il sito Web **www.blackanddecker.it**. Ulteriori informazioni sul marchio e la gamma di prodotti Black & Decker sono disponibili all'indirizzo **www.blackanddecker.it**.

Beoogd gebruik

Deze Black & Decker Dustbuster® is ontworpen als handstofzuiger voor lichte, droge stofzuigwerkzaamheden. Het apparaat is uitsluitend bestemd voor huishoudelijk gebruik.

Algemene veiligheidswaarschuwingen voor apparaten



Waarschuwing! Bij apparaten voor gebruik op de netspanning/snoerloze apparaten moeten bepaalde elementaire voorzorgsmaatregelen, waaronder de navolgende, in acht worden genomen om het gevaar van brand, elektrische schokken, persoonlijk letsel en materiële schade tot een minimum te beperken.

- ◆ Lees deze handleiding zorgvuldig door voordat u het apparaat in gebruik neemt.
- ◆ In deze handleiding wordt ingegaan op het beoogde gebruik. Het gebruik van andere accessoires of hulpstukken dan wel de uitvoering van andere handelingen dan in deze gebruikershandleiding worden aanbevolen, kan tot persoonlijk letsel leiden.

Het in de waarschuwingen gebruikte begrip "apparaat" heeft betrekking op apparaten voor gebruik op de netspanning (met netsnoer) of met een accu (snoerloos).

Bewaar alle waarschuwingen en instructies als referentiemateriaal.

Gebruik van het apparaat

Ga bij gebruik van het apparaat altijd voorzichtig te werk.

- ◆ Houd uw werkomgeving schoon en goed verlicht. Een rommelige of onverlichte werkruimte kan tot ongevallen leiden.
- ◆ Gebruik het apparaat alleen bij daglicht of goed kunstlicht.
- ◆ Gebruik het apparaat niet in een omgeving met explosiegevaar, zoals in de nabijheid van brandbare vloeistoffen, gassen of stof.
- ◆ Laat het apparaat nooit gebruiken door kinderen of door personen die onbekend zijn met de instructies voor het apparaat.
- ◆ Laat kinderen of dieren niet in de buurt van de werkomgeving komen, en evenmin het apparaat of netsnoer aanraken.
- ◆ Houd kinderen, omstanders en dieren op afstand tijdens het gebruik van een apparaat. Wanneer u wordt afgeleid, kunt u de controle over het apparaat verliezen. Het apparaat mag niet als speelgoed worden gebruikt.
- ◆ Dompel het apparaat niet onder in water.
- ◆ Open de behuizing niet. Het apparaat bevat geen onderdelen die door de gebruiker kunnen worden gerepareerd.

Veiligheid van personen

- ◆ Wees alert, let goed op wat u doet en gebruik uw gezond verstand bij het gebruik van een apparaat. Gebruik een apparaat niet wanneer u moe bent of onder invloed van drugs, alcohol of medicijnen verkeert. Een moment van onoplettendheid bij het gebruik van een apparaat kan leiden tot ernstige verwondingen.
- ◆ Draag, waar nodig, persoonlijke beschermende uitrusting. Het dragen van een persoonlijke beschermende uitrusting zoals een veiligheidsbril, een stofmasker, slipvaste werkschoenen, een veiligheidshelm of gehoorbescherming, afhankelijk van de aard en het gebruik van het apparaat, vermindert het risico van verwondingen.
- ◆ Voorkom per ongeluk inschakelen. Controleer of de schakelaar in de uit-stand staat voordat u het gereedschap aansluit op het stopcontact en/of de accu en voordat u het apparaat optilt of gaat dragen. Wanneer u bij het dragen van het apparaat uw vinger op de schakelaar houdt of wanneer u het apparaat per ongeluk inschakelt, kan dat tot ongevallen leiden.
- ◆ Reik niet te ver. Zorg er altijd voor dat u stevig staat en in evenwicht blijft. Daardoor kunt u het apparaat beter onder controle houden in onverwachte situaties.
- ◆ Draag geschikte kleding. Draag geen loshangende kleding of sieraden. Houd haren, kleding en handschoenen uit de buurt van bewegende delen. Loshangende kleding, sieraden en lange haren kunnen door bewegende delen worden meeegenomen.

Gebruik en onderhoud van het apparaat

- ◆ Controleer het apparaat vóór gebruik op beschadigingen en defecten. Controleer het vooral op gebroken onderdelen, schade aan de schakelaars en andere omstandigheden die de werking ervan kunnen beïnvloeden.
- ◆ Gebruik het apparaat niet als de schakelaar defect is. Een apparaat dat niet meer kan worden in- of uitgeschakeld, is gevaarlijk en moet worden gerepareerd.
- ◆ Trek de stekker uit het stopcontact en/of haal de accu uit het apparaat voordat u het apparaat instelt, toebehoren wisselt of het apparaat opbergt. Deze voorzorgsmaatregelen helpen onbedoeld starten van het apparaat te voorkomen.
- ◆ Houd snijdende inzetgereedschappen, waar van toepassing, scherp en schoon. Zorgvuldig onderhouden snijdende inzetgereedschappen met scherpe snijkanten klemmen minder snel vast en zijn gemakkelijker te geleiden.
- ◆ Gebruik het apparaat niet in geval van een of meer beschadigde of defecte onderdelen.
- ◆ Laat beschadigde of defecte onderdelen door een van onze servicecentra repareren of vervangen.
- ◆ Probeer nooit andere onderdelen te verwijderen of vervangen dan in deze handleiding zijn vermeld.

Elektrische veiligheid

- ◆ De stekker van het apparaat moet in het stopcontact passen. De stekker mag in geen geval worden omgebouwd. Gebruik geen adapterstekkers in combinatie met gearde apparaten. Niet-omgebouwde stekkers en passende stopcontacten beperken het risico van een elektrische schok.
- ◆ Houd het apparaat uit de buurt van regen en vocht. Het binnendringen van water in een apparaat vergroot het risico van een elektrische schok.
- ◆ Gebruik het snoer niet voor een verkeerd doel. Gebruik het snoer niet om het apparaat te dragen of op te hangen of om de stekker uit het stopcontact te trekken. Houd het snoer uit de buurt van hitte, olie, scherpe randen of bewegende delen. Beschadigde of in de war geraakte snoeren vergroten het risico van een elektrische schok.
- ◆ Wanneer u buitenshuis met een apparaat werkt, dient u alleen verlengsnoeren te gebruiken die zijn goedgekeurd voor gebruik buitenshuis. Het gebruik van een verlengsnoer dat geschikt is voor gebruik buitenshuis, beperkt het risico van een elektrische schok.
- ◆ Als u een apparaat moet gebruiken op een vochtige locatie, moet u een reststroomschakelaar (RCD) gebruiken. Met een aardlekschakelaar wordt het risico van een elektrische schok verkleind.

Gebruik en onderhoud van apparaten met accuaandrijving (alleen snoerloze apparaten)

- ◆ Laad accu's alleen op met de door de fabrikant aanbevolen lader. Een lader die geschikt is voor een bepaald type accu, kan brandgevaar opleveren wanneer deze in combinatie met andere accu's wordt gebruikt.
- ◆ Gebruik apparaten alleen in combinatie met specifiek vermelde accu's. Het gebruik van andere accu's kan gevaar voor letsel en brand opleveren.
- ◆ Houd accu's die niet worden gebruikt uit de buurt van andere metalen voorwerpen, zoals paperclips, munten, spijkers, schroeven of ander kleine metalen voorwerpen die een verbinding van de ene pool naar de andere tot stand kunnen brengen. Als er kortsluiting tussen de polen van een accu wordt gemaakt, kunnen brandwonden of brand worden veroorzaakt.
- ◆ Onder extreme omstandigheden kan er vloeistof uit de accu spuiten. Vermijd contact. Indien onbedoeld contact plaatsvindt, spoelt u met water. Als vloeistof in aanraking komt met ogen, raadpleegt u bovendien uw huisarts. Vloeistof die uit de accu spuit, kan irritatie of brandwonden veroorzaken.

Na gebruik

- ◆ Bewaar het apparaat na gebruik op een droge, goed geventileerde plaats, buiten het bereik van kinderen.
- ◆ Zorg dat het bewaarde apparaat niet toegankelijk is voor kinderen.
- ◆ Wanneer het apparaat in de auto ligt, moet u het apparaat in de kofferruimte plaatsen of goed vastzetten, zodat het apparaat niet kan wegschieten bij plotselinge veranderingen in snelheid of richting.

Onderhoud

- ◆ Laat het apparaat alleen repareren door gekwalificeerd en vakkundig personeel en alleen met originele vervangingsonderdelen. Daarmee wordt de veiligheid van het apparaat gewaarborgd.

Aanvullende veiligheidsinstructies – accu's en laders

Accu's

- ◆ Probeer accu's niet te openen, om welke reden ook.
- ◆ Stel de accu niet bloot aan water.
- ◆ Stel de accu niet bloot aan hitte.
- ◆ Bewaar de accu niet op locaties met temperaturen die hoger zijn dan 40 °C.
- ◆ Laad de accu alleen op bij een omgevingstemperatuur tussen 10 en 40 °C.
- ◆ Gebruik alleen de lader die bij het gereedschap/apparaat is geleverd. Het gebruik van de verkeerde lader kan resulteren in een elektrische schok of oververhitting van de accu.
- ◆ Gooi lege accu's weg volgens de instructies in het gedeelte "Milieu".
- ◆ De accubehuizing mag niet worden beschadigd of vervormd door er gaten in te laten komen of ertegen aan te stoten, aangezien dit kan leiden tot letsel of brand.
- ◆ Laad beschadigde accu's niet op.
- ◆ Onder extreme omstandigheden kunnen accu's lekkages vertonen. Wanneer de accu nat of vochtig is, veegt u de vloeistof voorzichtig af met een doek. Vermijd huidcontact.
- ◆ Bij huid- of oogcontact volgt u de onderstaande instructies.

Waarschuwing! De accuvloeistof kan letsel of materiële schade veroorzaken. Bij huidcontact moet u de vloeistof direct afspoelen met water. Raadpleeg uw huisarts als er rode vlekken ontstaan of bij een pijnlijke of geïrriteerde huid. Bij oogcontact moet u de vloeistof direct afspoelen met water en uw huisarts raadplegen.

Laders

De lader is ontworpen voor een specifieke spanning. Controleer altijd of de netspanning overeenkomt met de waarde op het typeplaatje.

Waarschuwing! Probeer de lader nooit te vervangen door een normale netstekker.

- ◆ Gebruik de lader van Black & Decker alleen voor de accu in het gereedschap/apparaat waarbij de lader is bijgeleverd. Andere accu's kunnen exploderen met letsel en materiële schade als gevolg.
- ◆ Niet-laadbare accu's mogen nooit worden opgeladen.
- ◆ Als het netsnoer is beschadigd, moet dit worden vervangen door de fabrikant of een Black & Decker-servicecentrum om gevaren te voorkomen.
- ◆ Stel de lader niet bloot aan water.
- ◆ Open de lader niet.
- ◆ Prik nooit met een scherp voorwerp in de lader.
- ◆ Laad het apparaat/het gereedschap/de accu in een goed geventileerde locatie op.

Elektrische veiligheid



De lader is dubbel geïsoleerd, zodat een aardaansluiting niet noodzakelijk is. Controleer altijd of de netspanning overeenkomt met de waarde op het typeplaatje.

Als het netsnoer is beschadigd, moet dit worden vervangen door de fabrikant of een Black & Decker-servicecentrum om gevaren te voorkomen.

Waarschuwing! Probeer de lader nooit te vervangen door een normale netstekker.

Veiligheid van anderen

- ◆ Dit apparaat mag niet worden gebruikt door personen (waaronder kinderen) die lichamelijk of geestelijk minder valide zijn of die geen ervaring met of kennis van dit apparaat hebben, tenzij deze onder toezicht staan of instructies krijgen voor het gebruik van het apparaat van een persoon die verantwoordelijk is voor hun veiligheid.
- ◆ Houd toezicht op kinderen om ervoor te zorgen dat zij niet met het apparaat gaan spelen.

Symbolen op de laadhouder



De laadhouder is dubbel geïsoleerd, zodat een aardaansluiting niet noodzakelijk is.



Storingsvrije scheidingstransformator.
De netspanning is elektrisch van de transformatoruitgang gescheiden.



De lader wordt automatisch uitgeschakeld als de omgevingstemperatuur te ver oploopt. Hierdoor zal de lader onbruikbaar worden. Neem de lader in dat geval uit het stopcontact en laat deze door een erkend servicecentrum repareren.



De laadhouder is uitsluitend bestemd voor gebruik binnenshuis.



Oppervlakken kunnen tijdens gebruik en tijdens de afkoelperiode heet worden.

Onderdelen

1. Ontgrendeling voor compartimentdeur
2. Compartimentdeur
3. Ontgrendelingsknop voor zuigbuis
4. Aan/uit-schakelaar met twee snelheden
5. Filterreinigingswiel
6. Oplaadindicator
7. Laadhouder
8. Zuigbuisverlenging
9. Zuigbuis

Fig. D

10. Spleetzuiger (optioneel, zie verpakking)
11. Borstelhelpstuk (opgeborgen in onderzijde van apparaat)

Installatie

Laadhouder aan de wand monteren (fig. A)

De laadhouder kan op een werkvlak worden geplaatst of aan de wand worden gemonteerd, om het apparaat gemakkelijk te kunnen opbergen en opladen.

Selecteer bij wandmontage een bevestigingsmethode die geschikt is voor het betreffende wandtype en het gewicht van het apparaat.

Montage

Zuigbuis verstellen (fig. B en C)

- ◆ De zuigbuis (9) is onder het apparaat opgeborgen. Neem het apparaat van de laadhouder om de zuigbuis te kunnen verstellen.
- ◆ Druk op de zuigbuisontgrendelingsknop (3) en draai de zuigbuis in de gewenste stand.
- ◆ Laat de zuigbuisontgrendelingsknop los om de zuigbuis in deze stand te vergrendelen.
- ◆ De zuigbuis kan langer worden gemaakt door de zuigbuisverlenging (8) uit te trekken totdat deze vastklikt.
- ◆ De verlenging kan worden ingeschoven door op knop (13) te drukken en de verlenging in de zuigbuis terug te schuiven.
- ◆ Plaats de zuigbuis na gebruik en voor het opladen terug in de opbergstand onder het apparaat.

Hulpstukken bevestigen (fig. D)

Bij deze modellen worden een of meer van de volgende hulpstukken meegeleverd:

- ◆ Een spleetzuiger (10) voor smalle kieren.
- ◆ Een borstelhulpstuk (11) voor meubilair en trappen.

Een hulpstuk aanbrengen:

- ◆ Neem de hulpstukken uit het apparaat.
- ◆ Plaats het gewenste hulpstuk in de voorzijde van het apparaat.

Gebruik

- ◆ Laad de accu vóór het eerste gebruik gedurende ten minste 16 uur op.
- ◆ Plaats het apparaat op de laadhouder als dit niet wordt gebruikt.

De accu laden (fig. E)

- ◆ Zorg ervoor dat het apparaat uitgeschakeld is. De accu wordt niet opgeladen als de aan/uit-schakelaar in de aan-stand staat.
- ◆ Plaats het apparaat zoals weergegeven op de laadhouder (7).
- ◆ Plaats de lader in het stopcontact. Schakel zonodig de netspanning in.

De oplaadindicator (6) gaat branden.

- ◆ Laat het apparaat ten minste 16 uur opladen.

Tijdens het opladen kan de lader warm worden. Dit is normaal en wijst niet op een probleem. Het apparaat kan voor onbepaalde tijd met de lader verbonden blijven.

De oplaadindicator (6) blijft branden zolang het apparaat zich op de laadhouder bevindt en de lader op het stopcontact is aangesloten.

Waarschuwing! Laad de accu niet op bij omgevingstemperaturen onder 4 °C of boven 40 °C.

In- en uitschakelen (fig. F)

- ◆ Schuif de aan/uit-schakelaar (4) in stand 1 om het apparaat in te schakelen.
- ◆ Schuif de aan/uit-schakelaar (4) in stand 2 om het apparaat op vol vermogen te laten werken.
- ◆ Schuif de aan/uit-schakelaar (4) in stand 0 om het apparaat uit te schakelen.

Zuigkracht optimaal houden (fig. G - I)

Voor een optimale zuigkracht moeten de filters tijdens het gebruik regelmatig worden gereinigd.

- ◆ Draai het wiel (5) enkele slagen om het stof waarmee de filters (14 en 15) verstopt zitten, los te kloppen.

Reiniging en onderhoud

Waarschuwing! Reinig de filters regelmatig (14 en 15).

Stofcompartiment en filters reinigen (fig. H - J)

De filters zijn herbruikbaar en moeten regelmatig worden gereinigd.

- ◆ Druk op de ontgrendeling (1) en open de compartimentdeur (2) (fig. H).
- ◆ Maak het stofcompartiment leeg.
- ◆ Draai de filters (14 en 15) linksom om deze te verwijderen (fig. I).
- ◆ Borstel al het losse stof van de filters.
- ◆ Was de filters in een warm sopje uit (fig. J).
- ◆ Zorg ervoor dat de filters droog zijn.
- ◆ Plaats de filters (14 en 15) op het apparaat en draai deze rechtsom om deze te vergrendelen.
- ◆ Sluit de compartimentdeur (2). Zorg ervoor dat de ontgrendeling (1) vastklikt.

Waarschuwing! Gebruik het apparaat nooit zonder de filters. Het apparaat werkt alleen optimaal bij schone filters.

Filters vervangen

De filters moeten om de 6 à 9 maanden of bij tussentijdse verslijting of beschadiging worden vervangen. Vervangende filters zijn verkrijgbaar via uw Black & Decker-leverancier (cat. nr. VF50):

- ◆ Verwijder de oude filters op de hiervoor beschreven wijze.
- ◆ Plaats de nieuwe filters op de hiervoor beschreven wijze.

Onderhoud

Uw Black & Decker-gereedschap/apparaat (met netsnoer/ snoerloos) is ontworpen om gedurende langere periode te functioneren met een minimum aan onderhoud. U kunt het gereedschap naar volle tevredenheid blijven gebruiken als u voor correct onderhoud zorgt en het gereedschap regelmatig schoonmaakt.

Waarschuwing! Doe altijd het volgende voordat u onderhouds- of reinigingswerkzaamheden aan het gereedschap (met snoer/snoerloos) uitvoert.

- ◆ Schakel het gereedschap/apparaat uit en trek de stekker uit het stopcontact.
- ◆ Als het apparaat een afzonderlijke accu heeft, schakelt u het apparaat uit en haalt u de accu eruit.
- ◆ Als de accu is ingebouwd, laat u deze volledig ontladen. Schakel dan het apparaat uit.
- ◆ Neem de lader uit het stopcontact voordat u deze schoonmaakt. Naast regelmatige reiniging vereist de lader geen onderhoud.

Reinig regelmatig de ventilatieopeningen van het gereedschap/apparaat/lader met een zachte borstel of droge doek.

Reinig de behuizing van de motor regelmatig met een vochtige doek. Gebruik geen schuur- of oplosmiddel.

Open regelmatig de spanknop en tik erop om eventueel stof uit het binnenste te verwijderen (indien van toepassing).

Milieu



Aparte inzameling. Dit product mag niet met normaal huishoudelijk afval worden weggegooid.

Mocht u op een dag constateren dat het Black & Decker-product aan vervanging toe is of dat u het apparaat niet meer nodig hebt, gooi het product dan niet bij het restafval. Het product valt onder de categorie voor elektrische apparaten.



Gescheiden inzameling van gebruikte producten en verpakkingsmaterialen maakt het mogelijk materialen te recyclen en opnieuw te gebruiken. Hergebruik van gerecycleerde materialen zorgt voor minder milieuvervuiling en dringt de vraag naar grondstoffen terug.

Plaatselijke verordeningen kunnen voorzien in gescheiden inzameling van huishoudelijke elektrische producten via gemeentelijke stortplaatsen of via de leverancier bij wie u een nieuw product aanschaft.

Black & Decker biedt de mogelijkheid tot het recyclen van afgedankte Black & Decker-producten. Om gebruik te maken van deze service, dient u het product naar een van onze servicecentra te sturen, die de inzameling voor ons verzorgen.

U kunt het adres van het dichtstbijzijnde servicecentrum opvragen via de adressen op de achterzijde van deze handleiding. U kunt ook een lijst van onze servicecentra en meer informatie met betrekking tot onze klantenservice vinden op het volgende internetadres: www.2helpU.com.

Technische gegevens

	PV9605 - H1 PV9605N - H1	PV1205 - H1 PV1205B - H1 PV1205N - H1 PV1205BN - H1
Spanning	V DC 9,6	12,0
Gewicht	kg 1,5	1,6

	PV1405 - H1 PV1405N - H1	PV1805 - H1 PV1805N - H1 PV1805CN - H1
Spanning	V DC 14,4	18,0
Gewicht	kg 1,7	1,9

Lader

Ingangsspanning	Vac 230
Oplaadtijd ca.	h 16
Gewicht	kg 0,5

Ontwerp- en octrooigegevens

Europese octrooiaanvraag nummer EP 05255024.1

EU-ontwerpregistratie nummers:

423322-0001, 423322-0002 en 423322-0003

Garantie

Black & Decker heeft vertrouwen in haar producten en biedt een uitstekende garantie. Deze garantiebepalingen vormen een aanvulling op uw wettelijke rechten en beperken deze niet. De garantie geldt in de lidstaten van de Europese Unie en de Europese Vrijhandelsassociatie.

Mocht uw Black & Decker product binnen 24 maanden na de datum van aankoop defect raken ten gevolge van materiaal- of constructiefouten, dan garanderen wij de kosteloze vervanging van defecte onderdelen, de reparatie van het product of de vervanging van het product, tenzij:

- ◆ Het product is gebruikt voor handelsdoeleinden, professionele toepassingen of verhuurdoeleinden;
- ◆ Het product onoordeelkundig is gebruikt;
- ◆ Het product is beschadigd door invloeden van buitenaf of door een ongeval;
- ◆ Reparaties zijn uitgevoerd door anderen dan onze servicecentra of Black & Decker-personeel.

Om een beroep te doen op de garantie, dient u een aankoopbewijs te overhandigen aan de verkoper of een van onze servicecentra. U kunt het adres van het dichtstbijzijnde servicecentrum opvragen via de adressen op de achterzijde van deze handleiding. U kunt ook een lijst van onze servicecentra en meer informatie m.b.t. onze klantenservice vinden op het volgende internetadres: www.2helpU.com.

Meld u aan op onze website www.blackanddecker.nl om te worden geïnformeerd over nieuwe producten en speciale aanbiedingen. Verdere informatie over het merk Black & Decker en onze producten vindt u op www.blackanddecker.nl.

Uso previsto

La aspiradora de mano Dustbuster® de Black & Decker se ha diseñado para proporcionar una limpieza suave mediante aspiración en seco. Este aparato está pensado únicamente para uso doméstico.

Advertencias de seguridad generales para el aparato



¡Atención! Si utiliza aparatos eléctricos/sin cable, es necesario seguir las precauciones de seguridad básicas, incluidas las que se indican a continuación, para reducir el riesgo de incendios, descargas eléctricas, lesiones personales y daños materiales.

- ◆ Lea todo el manual detenidamente antes de utilizar el aparato.
- ◆ En este manual se describe el uso para el que se ha diseñado el aparato. La utilización de accesorios o la realización de operaciones distintas de las recomendadas en este manual de instrucciones puede presentar un riesgo de lesiones.

El término "aparato" empleado en las advertencias se refiere al aparato eléctrico con alimentación de red (con cable) o al aparato eléctrico alimentado por batería (sin cable).

Guarde todas las advertencias e instrucciones para consultarlas en el futuro.

Utilización del aparato

Tenga siempre mucho cuidado al utilizar el aparato.

- ◆ Mantenga limpia y bien iluminada el área de trabajo. El desorden y una iluminación deficiente pueden provocar accidentes.
- ◆ Utilice el aparato únicamente a la luz del día o con iluminación artificial adecuada.
- ◆ No utilice el aparato en entornos con peligro de explosión, como en los que se encuentren líquidos, gases o material en polvo inflamables.
- ◆ Nunca permita que los niños ni las personas no familiarizadas con estas instrucciones utilicen el aparato.
- ◆ Evite que los niños y animales se acerquen a la zona de trabajo y toquen el aparato o el cable de alimentación.
- ◆ Cuando utilice el aparato, mantenga a los niños, a otras personas y a los animales alejados del área de trabajo. Una distracción le puede hacer perder el control del aparato.
- ◆ Este aparato no es un juguete.
- ◆ No sumerja el aparato en agua.
- ◆ No abra la carcasa. Las piezas del interior del aparato no pueden ser reparadas por el usuario.

Seguridad personal

- ◆ Esté atento a lo que hace y emplee el aparato con prudencia. No lo utilice si está cansado, ni si se encuentra bajo los efectos del alcohol, drogas o medicamentos. Un momento de distracción durante el uso del aparato puede provocar serias lesiones personales.
- ◆ En caso necesario, utilice un equipo de protección personal. El riesgo de lesiones se reduce considerablemente si se utiliza material de protección adecuado como gafas de protección, mascarilla antipolvo, zapatos de seguridad con suela antideslizante, casco o protectores auditivos.
- ◆ Impida que la herramienta se ponga en marcha accidentalmente. Asegúrese de que el conmutador de encendido/apagado se encuentre en la posición de apagado antes de coger o transportar el aparato, o de conectarlo a la fuente de alimentación o a la batería. Transportar el aparato con el dedo sobre el conmutador o enchufarlo con el conmutador encendido puede provocar accidentes.
- ◆ Sea precavido. Mantenga un apoyo firme sobre el suelo y conserve el equilibrio en todo momento. Ello le permitirá controlar mejor el aparato en caso de presentarse una situación inesperada.
- ◆ Lleve puesta una vestimenta de trabajo adecuada. No lleve ropa holgada ni joyas. Aleje el pelo, la ropa y los guantes de las piezas móviles. La vestimenta holgada, las joyas y el pelo largo se pueden enganchar con las piezas en movimiento.

Uso y cuidado del aparato

- ◆ Antes de utilizarlo, compruebe que el aparato no contenga piezas dañadas ni defectuosas. Compruebe que no haya piezas rotas, que los conmutadores no estén dañados y que no existan otros defectos que puedan afectar al funcionamiento del aparato.
- ◆ No utilice el aparato con un conmutador defectuoso. Los aparatos que no se puedan controlar con un conmutador de conexión/desconexión son peligrosos y deben hacerse reparar.
- ◆ Desconecte el enchufe de la fuente de alimentación y/o la batería del aparato antes de realizar cualquier ajuste, cambiar accesorios o guardar los aparatos. Estas medidas preventivas reducen el riesgo de conectar el aparato accidentalmente.
- ◆ En los casos en los que esta recomendación sea aplicable, mantenga las herramientas de corte limpias y afiladas. Las herramientas de corte mantenidas correctamente se dejan guiar y controlar mejor.
- ◆ No utilice el aparato si presenta alguna pieza dañada o defectuosa.

- ◆ Solicite al servicio técnico autorizado la reparación o sustitución de las piezas dañadas o defectuosas.
- ◆ Nunca intente extraer ni sustituir piezas no especificadas en este manual.

Seguridad eléctrica

- ◆ El enchufe del aparato debe corresponder a la toma de corriente utilizada. No modifique el enchufe. No emplee adaptadores en aparatos dotados con toma de tierra. Estas pautas le ayudarán a reducir el riesgo de descargas eléctricas.
- ◆ No exponga el aparato a la lluvia y evite que penetren líquidos en su interior. El peligro de recibir una descarga eléctrica es mayor si penetra agua en el aparato.
- ◆ Cuide el cable de alimentación. No lo utilice para transportar o colgar el aparato, ni tire de él para sacar el enchufe de la toma de corriente. Manténgalo alejado del calor, aceite, bordes afilados o piezas móviles. Los cables de red dañados o enredados incrementan el riesgo de descarga eléctrica.
- ◆ Al trabajar con el aparato a la intemperie utilice solamente cables de prolongación homologados para su uso en exteriores. Esto le ayudará a reducir el riesgo de descarga eléctrica.
- ◆ Si la utilización de un aparato en un lugar húmedo es inevitable, utilice una fuente protegida con un dispositivo de corriente residual (DDR). Ello le ayudará a reducir el riesgo de descargas eléctricas.

Uso y cuidado de la batería (solo para aparatos sin cables)

- ◆ Recargue sólo con el cargador especificado por el fabricante. Un cargador que sea específico para un tipo de batería podría suponer un riesgo de incendio si se utilizara con otra batería.
- ◆ Sólo debe utilizar los aparatos con las baterías específicamente recomendadas. El uso de otras baterías puede suponer un riesgo de incendio y lesiones.
- ◆ Cuando no se utilice la batería, manténgala alejada de objetos de metal como clips para papel, monedas, llaves, clavos, tornillos y otros pequeños objetos metálicos que pueden realizar una conexión de un terminal a otro. Si provoca un cortocircuito entre los terminales de la batería, puede ocasionar un incendio o sufrir quemaduras.
- ◆ En condiciones extremas, es posible que la batería expulse líquido; evite el contacto. En caso de tocarlo accidentalmente, enjuáguese con agua. Si el líquido entra en contacto con los ojos, solicite asistencia médica. El líquido que expulsa la pila puede producir irritación o quemaduras.

Después de la utilización

- ◆ Cuando no utilice el aparato, deberá guardarse en un lugar seco, bien ventilado y lejos del alcance de los niños.
- ◆ Los niños no deben tener acceso a los aparatos guardados.
- ◆ Cuando se guarde o transporte el aparato en un vehículo, deberá colocarse en el maletero o asegurarse para evitar movimientos producidos por cambios repentinos en la velocidad o la dirección.

Servicio técnico

- ◆ Este aparato sólo lo puede reparar personal técnico autorizado que emplee exclusivamente piezas de repuesto originales. De este modo se garantiza el mantenimiento de la seguridad del aparato.

Instrucciones de seguridad adicionales: baterías y cargadores

Baterías

- ◆ No intente abrirlas bajo ningún concepto.
- ◆ No exponga la batería al agua.
- ◆ No exponga la batería al calor.
- ◆ No guarde la batería en lugares en los que la temperatura pueda superar los 40 °C.
- ◆ Realice la carga únicamente a una temperatura ambiente de entre 10 °C y 40 °C.
- ◆ Utilice únicamente el cargador suministrado con el aparato o la herramienta para realizar la carga. La utilización de un cargador incorrecto podría provocar una descarga eléctrica o el recalentamiento de la batería.
- ◆ Para desechar las pilas o las baterías, siga las instrucciones facilitadas en la sección "Protección del medio ambiente".
- ◆ No dañe ni deforme la batería mediante perforaciones o golpes, ya que puede suponer un riesgo de incendio y de lesiones.
- ◆ No cargue baterías dañadas.
- ◆ Es posible que se produzcan fugas en las baterías en condiciones extremas. Cuando observe que se producen fugas en las baterías, limpie cuidadosamente el líquido con un paño. Evite el contacto con la piel.
- ◆ En caso de que se produzca contacto con la piel o los ojos, siga las instrucciones facilitadas a continuación.

¡Atención! El líquido de las baterías puede provocar lesiones personales o daños materiales. En caso de que se produzca contacto con la piel, lave la zona con agua inmediatamente. Si se produce enrojecimiento, dolor o irritación, solicite atención médica. En caso de contacto con los ojos, lave la zona inmediatamente con agua limpia y solicite atención médica.

Cargadores

El cargador se ha diseñado para un voltaje específico. Cada vez que utilice el aparato, debe comprobar que el voltaje de la red eléctrica corresponde con el valor indicado en la placa de características.

¡Atención! No intente sustituir el cargador por un enchufe convencional para la red eléctrica.

- ◆ Para cargar la batería del aparato o herramienta, utilice únicamente el cargador Black & Decker suministrado. En caso de intentar cargar otras baterías, estas podrían explotar, lo que podría provocar lesiones y daños personales.
- ◆ Nunca intente cargar baterías no recargables.
- ◆ Si se dañara el cable de alimentación, deberá ser sustituido por el fabricante o por un centro de asistencia técnica autorizado de Black & Decker para evitar cualquier situación de riesgo.
- ◆ No exponga el cargador al agua.
- ◆ No abra el cargador.
- ◆ No aplique ningún dispositivo para medir la resistencia del cargador.
- ◆ El aparato, la herramienta o la batería debe colocarse en una zona bien ventilada durante la carga.

Seguridad eléctrica



El cargador está provisto de doble aislamiento, por lo que no requiere una toma de tierra. Cada vez que utilice el aparato, debe comprobar que el voltaje de la red eléctrica corresponde con el valor indicado en la placa de características.

Si se dañara el cable de alimentación, deberá ser sustituido por el fabricante o por un centro de asistencia técnica autorizado de Black & Decker para evitar cualquier situación de riesgo.

¡Atención! No intente sustituir el cargador por un enchufe convencional para la red eléctrica.

La seguridad de terceros

- ◆ Ninguna persona (incluidos los niños) con capacidades físicas, sensoriales o mentales disminuidas, o que carezca de experiencia y conocimientos, debe utilizar este aparato, salvo que haya recibido supervisión o formación con respecto al uso del aparato por parte de una persona responsable de su seguridad.
- ◆ Los niños deben vigilarse en todo momento para garantizar que el aparato no se tome como elemento de juego.

Símbolos de la base del cargador



La base del cargador está provista de doble aislamiento, por lo que no requiere una toma de tierra.



Transformador con aislamiento a prueba de fallos. El circuito eléctrico de la toma de corriente está aislado de la salida del transformador.



El cargador se apaga automáticamente si detecta que la temperatura ambiente es excesivamente alta. En este caso, el cargador no se podrá utilizar. Deberá desconectar la base del cargador de la toma de corriente y llevar el cargador a un centro de servicio autorizado.



La base del cargador está pensada únicamente para utilizarla en espacios interiores.



Es posible que las superficies estén calientes durante el uso o durante el período de enfriamiento.

Características

1. Pestaña de liberación de la tapa del contenedor
2. Tapa del contenedor
3. Botón de bloqueo del aspirador
4. Conmutador ON/OFF (encendido/apagado) de dos velocidades
5. Rueda de limpieza del filtro
6. Indicador de carga
7. Base del cargador
8. Prolongación del colector de polvo
9. Colector de polvo

Fig. D

10. Accesorio para hendiduras (opcional, vea el embalaje)
11. Cepillo (escondido en la parte inferior del aparato)

Instalación

Montaje de la base del cargador en la pared (fig. A)

La base del cargador puede colocarse sobre una superficie o bien en la pared para proporcionar un almacenaje más cómodo y un soporte de carga para el aparato.

Si fija dicha base a la pared, asegúrese de que el método de fijación sea el adecuado para el tipo de pared y el peso del aparato.

Montaje

Ajuste del colector de polvo (figs. B y C)

- ◆ El colector de polvo (9) se encuentra debajo del aparato. Si desea ajustarlo para utilizarlo, levante el aparato de la base del cargador.
- ◆ Pulse el botón de bloqueo del colector (3) y gire el colector de polvo hasta la posición indicada.
- ◆ Suelte el botón de bloqueo del colector para que éste quede fijado en la posición correspondiente.
- ◆ Es posible prolongar el colector de polvo tirando de la extensión (8) hasta que quede bloqueada en la posición correspondiente.
- ◆ Dicha extensión puede contraerse pulsando el botón (13) y presionándola hacia el interior del colector de polvo.
- ◆ Se recomienda que después de la utilización o durante la carga del aparato, el colector de polvo vuelva a colocarse en el lugar de almacenamiento situado en la parte inferior de dicho aparato.

Ajuste de los accesorios (fig. D)

Estos modelos contienen los accesorios siguientes o alguno de ellos:

- ◆ Un accesorio para hendiduras (10), para acceder a los rincones difíciles.
- ◆ Un cepillo (11) para los muebles y las escaleras.

Para montar un accesorio, siga el procedimiento indicado a continuación:

- ◆ Extraiga los accesorios del aparato.
- ◆ Introduzca el accesorio más apropiado en la parte frontal del aparato.

Uso

- ◆ Antes de utilizarlo por primera vez, la batería se debe cargar durante 16 horas como mínimo.
- ◆ Cuando no esté utilizando el aparato, colóquelo en la base del cargador.

Carga de la batería (fig. E)

- ◆ Compruebe que el aparato está apagado. La batería no se cargará si el conmutador de encendido/apagado está en la posición de encendido.
- ◆ Coloque el aparato en la base del cargador (7) de la siguiente manera.
- ◆ Conecte el cargador. Conéctelo a la red eléctrica.

Se encenderá el indicador de carga (6).

- ◆ El aparato se debe cargar durante un mínimo de 16 horas.

Durante la carga, es posible que el cargador se caliente. Esto es normal y no indica ningún fallo en el funcionamiento. Se puede dejar el aparato conectado al cargador indefinidamente. El indicador de la carga (6) permanecerá encendido siempre que esté conectado al cargador y este último permanezca enchufado.

¡Atención! No cargue la batería a temperatura ambiente si es inferior a 4 °C o superior a 40 °C.

Encendido y apagado (fig. F)

- ◆ Para encender el aparato, deslice el conmutador ON/OFF (encendido/apagado) (4) hacia delante hasta la posición 1.
- ◆ Si desea utilizar la máxima potencia, deslice el conmutador ON/OFF (4) hasta la posición 2.
- ◆ Para apagar el aparato, vuelva a colocar el conmutador ON/OFF (4) en la posición 0.

Optimización de la fuerza de succión (figs. G - I)

Para mantener la fuerza de succión del aparato, es necesario limpiar los filtros periódicamente.

- ◆ Gire la rueda (5) unas cuantas veces para expulsar el polvo que está atascando los filtros (14 y 15).

Limpieza y mantenimiento

¡Atención! Limpie los filtros de forma regular (14 y 15).

Limpieza del contenedor para el polvo y los filtros (figs. H - J)

Los filtros son reutilizables y se deben limpiar con regularidad.

- ◆ Pulse la pestaña de liberación (1) y abra la tapa del contenedor (2) (fig. H).
- ◆ Vacíe el contenedor para el polvo.
- ◆ Extraiga los filtros (14 y 15) girándolos en el sentido contrario al de las agujas del reloj (fig. I).
- ◆ Cepille el polvo que todavía queda en los filtros.
- ◆ Lave los filtros en agua caliente con jabón (fig. J).
- ◆ Asegúrese de que estén bien secos.
- ◆ Vuelva a colocar los filtros (14 y 15) en el aparato, girándolos en el sentido de las agujas del reloj hasta que encajen.
- ◆ Cierre la tapa del contenedor (2). Asegúrese de que la pestaña de liberación (1) encaje en la posición original.

¡Atención! No utilice nunca el aparato sin filtros.

Solo conseguirá un óptimo rendimiento del aparato si los filtros están limpios.

Sustitución de los filtros

Es necesario cambiar los filtros cada 6 ó 9 meses y cuando se gasten o se dañen. Los filtros de repuesto estarán disponibles en el distribuidor Black & Decker más cercano (número de catálogo VF50):

- ◆ Extraiga los filtros viejos como se ha descrito anteriormente.
- ◆ Coloque los filtros nuevos como se ha descrito anteriormente.

Mantenimiento

Este aparato o herramienta con o sin cable de Black & Decker se ha diseñado para que funcione durante un largo período de tiempo con un mantenimiento mínimo. El funcionamiento satisfactorio continuado depende de un cuidado apropiado y una limpieza periódica de la herramienta.

¡Atención! Antes de realizar el mantenimiento de herramientas eléctricas con o sin cables:

- ◆ Apague y desenchufe el aparato o herramienta.
- ◆ O bien, apague y extraiga las pilas o la batería del aparato o herramienta, en caso de que disponga de una batería separada.
- ◆ O bien, deje que la batería se agote por completo si es integral y, a continuación, apague el aparato.
- ◆ Desenchufe el cargador antes de limpiarlo. El cargador no requiere ningún mantenimiento especial excepto la limpieza.

Limpie periódicamente las ranuras de ventilación de la herramienta, aparato o cargador con un cepillo suave o un paño seco.

Limpie periódicamente la carcasa del motor con un paño húmedo. No utilice limpiadores de base abrasiva o disolventes.

Abra regularmente el portabrocas y golpéelo suavemente para eliminar los restos de polvo que haya en su interior (si se encuentra colocado).

Protección del medio ambiente



Recogida selectiva. No se debe desechar este producto con el resto de los residuos domésticos.

Si llegase el momento en que fuese necesario sustituir su producto Black & Decker o si este dejase de tener utilidad para usted, no lo deseche junto con los residuos domésticos. Sepárelo para su recogida selectiva.



La recogida selectiva de productos y embalajes usados permite el reciclaje de materiales y su reutilización. La reutilización de materiales reciclados contribuye a evitar la contaminación medioambiental y reduce la demanda de materias primas.

Las normativas municipales deben ofrecer la recogida selectiva de productos eléctricos del hogar, en puntos municipales previstos para tal fin o a través del distribuidor cuando adquiera un nuevo producto.

Black & Decker proporciona facilidades para la recogida y reciclado de los productos Black & Decker que han llegado al final de su vida útil. Para poder utilizar este servicio, le rogamos que entregue el producto a cualquier agente de servicio técnico autorizado para que se haga cargo de él en nuestro nombre.

Para consultar la dirección del agente de servicio técnico más cercano, póngase en contacto con la oficina local de Black & Decker en la dirección que se indica en este manual. Como alternativa, se puede consultar en Internet la lista de servicios técnicos autorizados e información completa de nuestros servicios de postventa y contactos, en la dirección siguiente: www.2helpU.com.

Características técnicas

	PV9605 - H1 PV9605N - H1	PV1205 - H1 PV1205B - H1 PV1205N - H1 PV1205BN - H1
Voltaje	9,6 V de cc	12,0
Peso	1,5 kg	1,6

	PV1405 - H1 PV1405N - H1	PV1805 - H1 PV1805N - H1 PV1805CN - H1
Voltaje	14,4 V de cc	18,0
Peso	1,7 kg	1,9

Cargador

Voltaje de entrada	230 V de ca
Tiempo de carga aproximado	16 h
Peso	0,5 kg

Información sobre el diseño y la patente

Solicitud de patente europea número EP 05255024.1

Números de registro del diseño en la Comunidad Europea: 423322-0001, 423322-0002 y 423322-0003

Garantía

Black & Decker confía plenamente en la calidad de sus productos y ofrece una garantía extraordinaria. Esta declaración de garantía es un añadido, y en ningún caso un perjuicio para sus derechos legales. La garantía es válida dentro de los territorios de los Estados miembros de la Unión Europea y de los de la Zona Europea de Libre Comercio.

Si cualquier producto de Black & Decker resultara defectuoso debido a materiales o mano de obra defectuosos o a la falta de conformidad, Black & Decker garantiza, dentro de los 24 meses posteriores a la fecha de compra, la sustitución de las piezas defectuosas, la reparación de los productos sujetos a un desgaste y rotura razonables o la sustitución de tales productos para garantizar al cliente el mínimo de inconvenientes, a menos que:

- ◆ El producto se haya utilizado con propósitos comerciales, profesionales o de alquiler.
- ◆ El producto se haya sometido a un uso inadecuado o negligente.
- ◆ El producto haya sufrido daños causados por objetos, sustancias extrañas o accidentes.
- ◆ Se hayan realizado reparaciones por parte de personas que no sean agentes de servicio técnico autorizado o personal de servicios de Black & Decker.

Para reclamar en garantía, será necesario que presente la prueba de compra al vendedor o al agente de servicio técnico autorizado. Puede consultar la dirección de su agente de servicio técnico más cercano si se pone en contacto con la oficina local de Black & Decker en la dirección que se indica en este manual. Como alternativa, se puede consultar en Internet la lista de servicios técnicos autorizados e información completa de nuestros servicios de postventa y contactos, en la dirección siguiente:

www.2helpU.com.

Visite el sitio web **www.blackanddecker.eu** para registrar su nuevo producto Black & Decker y estar al día sobre productos y ofertas especiales. Encontrará información adicional sobre la marca Black & Decker y nuestra gama de productos en **www.blackanddecker.eu**.

Utilização prevista

O seu aspirador portátil Black & Decker Dustbuster® foi concebido para limpezas leves. Este aparelho destina-se apenas a utilização doméstica.

Avisos de segurança gerais para aparelhos eléctricos



Atenção! Ao utilizar aparelhos eléctricos/sem fios, deve sempre cumprir medidas de segurança básicas, incluindo as seguintes, de modo a reduzir os riscos de incêndio, choque eléctrico e danos pessoais e materiais.

- ◆ Leia cuidadosamente o manual completo antes de utilizar este aparelho.
- ◆ A utilização prevista para este aparelho está descrita neste manual. A utilização de qualquer acessório ou a realização de qualquer operação com este aparelho que não esteja incluída no presente manual de instruções poderá representar um risco de ferimentos pessoais.

A expressão “aparelho” utilizada nos avisos refere-se ao seu aparelho com ligação à corrente eléctrica (com cabo) ou com bateria (sem fios).

Guarde todos os avisos e instruções para consulta futura.

Utilizar o seu aparelho

Tenha sempre cuidado quando utiliza este aparelho.

- ◆ Mantenha a área de trabalho limpa e bem iluminada. Áreas desarrumadas ou mal iluminadas são propícias a acidentes.
- ◆ Utilize apenas o aparelho à luz do dia ou com uma boa luz artificial.
- ◆ Não utilize o aparelho em áreas com risco de explosão, nas quais se encontrem líquidos, gases ou poeiras inflamáveis.
- ◆ Nunca deixe crianças ou pessoas que não estejam familiarizadas com estas instruções utilizar este aparelho.
- ◆ Não deixe crianças ou animais aproximarem-se da área de trabalho ou tocarem no cabo de alimentação do aparelho.
- ◆ Mantenha crianças, outras pessoas e animais afastados durante a utilização do aparelho. Distracções podem provocar perda de controlo do aparelho.
- ◆ Este aparelho não deve ser utilizado como um brinquedo.
- ◆ Não mergulhe o aparelho em água.
- ◆ Não abra a estrutura do produto. Não existem peças para manutenção pelo utilizador no interior.

Segurança pessoal

- ◆ Mantenha-se atento, concentre-se naquilo que está a fazer e utilize o bom senso quando utiliza um aparelho. Não utilize um aparelho se estiver cansado ou sob a influência de drogas, álcool ou medicamentos. Um momento de falta de atenção enquanto trabalha um aparelho poderá resultar em lesões graves.
- ◆ Sempre que necessário, utilize equipamento de protecção pessoal. Equipamento de protecção como, por exemplo, protecção para os olhos, máscara anti-poeiras, sapatos de segurança anti-derrapantes, capacete de segurança ou protecção auricular, de acordo com as condições adequadas reduz o risco de lesões.
- ◆ Evite arranques involuntários. Certifique-se de que o botão está desligado antes de ligar o aparelho à corrente eléctrica e/ou a bateria, pegando ou transportando o aparelho. Transportar aparelhos com o dedo no botão ou ligar aparelhos à tomada com o interruptor na posição de ligado pode dar origem a acidentes.
- ◆ Não tente chegar a pontos fora do alcance. Mantenha-se sempre bem posicionado e em equilíbrio. Assim, controlará melhor o aparelho em situações imprevistas.
- ◆ Utilize vestuário adequado. Não utilize roupas largas nem jóias. Mantenha o cabelo, roupa e luvas afastados de peças em movimento. Roupas largas, jóias ou cabelo comprido podem ser apanhados por partes móveis.

Utilização e manutenção do aparelho

- ◆ Antes da utilização, verifique o aparelho quanto a peças danificadas ou avariadas. Verifique se há peças partidas, danos nos interruptores ou outro tipo de condições que possam afectar o seu funcionamento.
- ◆ Não utilize o aparelho se o interruptor não puder ser ligado nem desligado. Qualquer aparelho que não possa ser controlado com o interruptor é perigoso e terá de ser reparado.
- ◆ Desligue a ficha da tomada e/ou a bateria do aparelho antes de proceder a ajustes, trocar acessórios ou guardar aparelhos. Estas medidas de segurança reduzem o risco de o aparelho ser ligado acidentalmente.
- ◆ Sempre que aplicável, mantenha as ferramentas de corte afiadas e limpas. Ferramentas de corte com a manutenção adequada e extremidades afiadas bloqueiam com menos frequência e são mais fáceis de controlar.
- ◆ Não utilize este aparelho se alguma das suas peças estiver danificada ou avariada.

- ◆ Mande reparar ou substituir quaisquer peças danificadas ou avariadas por um agente de reparação autorizado.
- ◆ Nunca tente retirar ou substituir quaisquer peças que não as especificadas neste manual.

Segurança eléctrica

- ◆ As fichas do aparelho devem caber na tomada. A ficha não deve ser modificada de modo algum. Não utilize quaisquer fichas adaptadoras em aparelhos com ligação à terra. Fichas sem modificações e tomadas adequadas reduzem o risco de choques eléctricos.
- ◆ Não exponha o aparelho à chuva ou humidade. A penetração de água num aparelho aumenta o risco de choques eléctricos.
- ◆ Manuseie o fio com cuidado. O cabo não deve ser utilizado para transportar ou pendurar o aparelho, nem para puxar a ficha da tomada. Mantenha o cabo afastado de calor, óleo, pontas afiadas ou partes móveis. Cabos danificados ou torcidos aumentam o risco de choques eléctricos.
- ◆ Quando trabalhar com um aparelho ao ar livre, utilize um cabo de extensão apropriado para esse fim. A utilização de um cabo apropriado para áreas ao ar livre reduz o risco de choques eléctricos.
- ◆ Se for inevitável trabalhar com um aparelho num local húmido, utilize um Dispositivo de Corrente Residual (RCD). A utilização de um RCD reduz o risco de choque eléctrico.

Utilização e manutenção da bateria da ferramenta (apenas para aparelhos sem fios)

- ◆ Carregue apenas com o carregador especificado pelo fabricante. Um carregador adequado para um tipo de bateria pode dar origem a risco de incêndio quando utilizado com outro tipo de bateria.
- ◆ Utilize aparelhos apenas com baterias específicas. A utilização de outras baterias pode dar origem a risco de danos e incêndio.
- ◆ Quando uma bateria não estiver a ser utilizada, mantenha-a afastada de outros objectos metálicos como, por exemplo, cliques, moedas, chaves, pregos, parafusos ou outros pequenos objectos metálicos que podem fazer ligação de um terminal a outro. O curto-circuito de terminais de bateria pode causar queimaduras ou incêndio.
- ◆ Sob condições exageradas, a bateria pode verter líquido – evitar contacto. Se ocorrer um contacto accidental, lave abundantemente com água. Se o líquido entrar em contacto com os olhos, procure assistência médica. O líquido vertido da bateria pode causar irritação ou queimaduras.

Após a utilização

- ◆ Quando não for utilizado, o aparelho deve ser guardado num local seco e com boa ventilação, longe do alcance das crianças.
- ◆ As crianças não devem ter acesso aos aparelhos armazenados.
- ◆ Quando o aparelho for guardado ou transportado num veículo, deverá ser colocado na bagageira ou fixo de forma a evitar o movimento devido a alterações súbitas na velocidade ou direcção.

Reparação

- ◆ O seu aparelho só deve ser reparado por pessoal qualificado e só devem ser colocadas peças sobressalentes originais. Isso garante a manutenção da segurança do aparelho.

Instruções de segurança adicionais - baterias e carregadores

Baterias

- ◆ Nunca tente abrir a bateria por motivo algum.
- ◆ Não exponha a bateria à água.
- ◆ Não exponha a bateria ao calor.
- ◆ Não armazene em locais onde a temperatura possa exceder os 40°C.
- ◆ Carregue apenas a temperaturas ambiente entre 10°C e 40°C.
- ◆ Carregue apenas com o carregador fornecido com o aparelho/ferramenta. A utilização do carregador errado pode resultar em choque eléctrico ou sobreaquecimento da bateria.
- ◆ Quando eliminar as baterias, siga as instruções da secção “Protecção do ambiente”.
- ◆ Não danifique a bateria por perfuração ou impacto, pois poderá originar risco de ferimentos e incêndio.
- ◆ Não carregue baterias danificadas.
- ◆ Em condições extremas, pode ocorrer uma fuga nas baterias. Se detectar a fuga de líquido das baterias, limpe o líquido cuidadosamente com um pano. Evite o contacto com a pele.
- ◆ Em caso de contacto com a pele ou com os olhos, siga as instruções seguintes.

Atenção! O fluido da bateria pode causar ferimentos pessoais ou danos materiais. Em caso de contacto com a pele, enxágue imediatamente com água. Em caso de vermelhidão, dor ou irritação, contacte um médico. Em caso de contacto com os olhos, enxágue imediatamente com água limpa e contacte um médico.

Carregadores

O seu carregador foi concebido para uma tensão específica. Verifique sempre se a tensão de alimentação corresponde à tensão indicada na placa de especificações.

Atenção! Nunca tente substituir a unidade do carregador por uma tomada normal de alimentação.

- ◆ Utilize o seu carregador Black & Decker apenas para carregar a bateria do aparelho/ferramenta com que foi fornecido. Outras baterias poderão rebentar, provocando lesões pessoais e danos.
- ◆ Nunca tente carregar baterias não recarregáveis.
- ◆ Se o cabo de alimentação estiver danificado, terá de ser substituído pelo fabricante ou por um centro de assistência autorizado Black & Decker para evitar acidentes.
- ◆ Não exponha o carregador à água.
- ◆ Não abra o carregador.
- ◆ Não manipule o interior do carregador.
- ◆ O aparelho/ferramenta/bateria deve ser colocado numa área com boa ventilação durante o carregamento.

Segurança eléctrica



O carregador tem um isolamento duplo; consequentemente, não é necessário um fio de terra. Verifique sempre se a tensão de alimentação corresponde à tensão indicada na placa de especificações.

Se o cabo de alimentação estiver danificado, terá de ser substituído pelo fabricante ou por um centro de assistência autorizado Black & Decker para evitar acidentes.

Atenção! Nunca tente substituir a unidade do carregador por uma tomada normal de alimentação.

Segurança de terceiros

- ◆ Este aparelho não deve ser utilizado por pessoas (incluindo crianças) que apresentem capacidades físicas, sensoriais ou mentais reduzidas ou que não possuam os conhecimentos e a experiência necessários, excepto se forem vigiadas e instruídas acerca da utilização do aparelho por uma pessoa responsável pela sua segurança.
- ◆ As crianças deverão ser vigiadas para que não mexam no aparelho.

Símbolos na base de carga



A base de carga tem um isolamento duplo e, por isso, não é necessário um fio de terra.



Transformador de isolamento anti-falha. A alimentação está electricamente separada da saída do transformador.



O carregador desliga-se automaticamente se a temperatura se tornar demasiado elevada. Consequentemente o carregador fica inoperável. A base de carga deve ser desligada da alimentação e encaminhada para reparação num centro de serviço autorizado.



Apenas deverá ser feita uma utilização interior da base de carga.



As superfícies poderão aquecer durante a utilização e durante o período de arrefecimento.

Funções

1. Fecho da porta do depósito
2. Porta do depósito
3. Botão de bloqueio do recipiente
4. Interruptor de duas velocidades
5. Roda de limpeza de filtro
6. Indicador de carga
7. Base de carga
8. Extensão do recipiente de poeira
9. Recipiente de poeira

Fig. D

10. Acessório de ponta chata (opcional, ver embalagem)
11. Escova (guardada na parte inferior do aparelho)

Instalação

Fixar a base de carga na parede (fig. A)

A base de carga pode ser colocada numa superfície de trabalho ou fixada à parede para proporcionar uma arrumação e um ponto de carga convenientes para o aparelho.

Ao fixar o aparelho numa parede, certifique-se de que o método de fixação é adequado ao tipo de parede e ao peso do aparelho.

Montagem

Ajustar o recipiente de poeira (fig. B e C)

- ◆ O recipiente de poeira (9) é guardado na parte inferior do aparelho. Para ajustar para utilização, levante o aparelho da base de carga.
- ◆ Prima o botão de bloqueio do recipiente (3) e rode o recipiente de poeira para a posição pretendida.
- ◆ Solte o botão de bloqueio do recipiente para bloquear o recipiente de poeira na posição.
- ◆ O recipiente de poeira pode ser aumentado puxando a extensão do recipiente de poeira (8) até ficar fixo na posição.
- ◆ A extensão pode ser retraída premindo o botão (13) e empurrando a extensão de novo para dentro do recipiente de poeira.
- ◆ O recipiente de poeira deve regressar à posição de arrumação na parte inferior do aparelho após a utilização e durante o carregamento do mesmo.

Fixar os acessórios (fig. D)

Estes modelos são fornecidos com alguns ou todos os seguintes acessórios:

- ◆ Um acessório de ponta chata (10) para espaços exigüos.
- ◆ Uma escova rígida (11) para móveis e escadas.

Para ajustar um acessório, proceda da seguinte forma:

- ◆ Retire o acessório do aparelho.
- ◆ Introduza o acessório adequado na parte frontal do aparelho, tal como ilustrado.

Utilização

- ◆ Antes da primeira utilização, a bateria deve ser carregada durante pelo menos 16 horas.
- ◆ Coloque o aparelho na base de carga quando este não estiver a ser utilizado.

Carregar a bateria (fig. E)

- ◆ Certifique-se de que o aparelho está desligado. A bateria não carrega com o interruptor ligar/desligar na posição ligado.
- ◆ Coloque o aparelho na base de carga (7) como é apresentado.
- ◆ Ligue o carregador. Ligue à corrente.

O indicador de carga (6) acenderá.

- ◆ Deixe o aparelho a carregar pelo menos 16 horas.

Ao carregar, o carregador pode aquecer. Isto é normal e não indicia qualquer problema. O aparelho pode ser deixado sempre ligado ao carregador. O indicador de carga (6) ficará aceso desde que o aparelho esteja fixo ao carregador ligado na tomada.

Atenção! Não carregue a bateria a temperaturas ambientes abaixo de 4°C ou acima de 40°C.

Ligar e desligar (fig. F)

- ◆ Para ligar o aparelho, faça deslizar para a frente o interruptor ligar/desligar (4) para a posição 1.
- ◆ Para obter uma potência máxima, faça deslizar para a frente o interruptor ligar/desligar (4) para a posição 2.
- ◆ Para desligar o aparelho, faça deslizar para trás o interruptor ligar/desligar (4) para a posição 0.

Optimização da potência de sucção (fig. G – I)

Para garantir uma potência de sucção otimizada, os filtros devem ser limpos regularmente durante a utilização.

- ◆ Rode algumas vezes a roda (5) para retirar a poeira que causa a obstrução dos filtros (14 e 15).

Limpeza e manutenção

Atenção! Limpe regularmente os filtros (14 e 15).

Limpeza do depósito de poeiras e filtros (fig. H - J)

Os filtros são re-utilizáveis e devem ser limpos regularmente.

- ◆ Prima o botão de desbloqueio (1) e abra a porta do depósito (2) (fig. H).
- ◆ Esvazie o recipiente de poeira.
- ◆ Remova os filtros (14 e 15) rodando-os no sentido contrário ao dos ponteiros do relógio (fig. I).
- ◆ Escove quaisquer poeiras soltas dos filtros.
- ◆ Lave os filtros em água morna com sabão (fig. J).
- ◆ Certifique-se de que os filtros estão secos.
- ◆ Volte a colocar os filtros (14 e 15) no aparelho, rodando-os no sentido dos ponteiros do relógio até encaixarem na posição.
- ◆ Feche a porta do depósito (2). Certifique-se de que o botão de desbloqueio (1) encaixa na posição.

Atenção! Nunca utilize o aparelho sem filtros.

Só será obtida uma excelente recolha das poeiras com os filtros limpos.

Substituição dos filtros

Os filtros deverão ser substituídos cada 6 a 9 meses e sempre que gastos ou danificados. Os filtros para substituição estão disponíveis junto do seu revendedor Black & Decker (cat. N.º. VF50):

- ◆ Retire os filtros usados como indicado acima.
- ◆ Coloque os filtros novos como indicado acima.

Manutenção

O seu aparelho/ferramenta Black & Decker com fios/sem fios foi concebido para funcionar durante um longo período de tempo com uma manutenção mínima. Um funcionamento contínuo e satisfatório depende de uma manutenção adequada e da limpeza regular da ferramenta.

Atenção! Antes de proceder a qualquer acção de manutenção em ferramentas eléctricas com cabo/sem fios:

- ◆ Desligue o aparelho/ferramenta e retire a respectiva ficha da tomada.
- ◆ Ou desligue e remova a bateria do aparelho/ferramenta caso o aparelho/ferramenta tenha uma bateria individual.
- ◆ Ou deixe a pilha descarregar completamente se estiver incorporada e, em seguida, desligue-a.
- ◆ Desligue o carregador antes de o limpar. O seu carregador não necessita de manutenção para além da limpeza regular.

Limpe regularmente as aberturas de ventilação no aparelho/ferramenta/carregador com uma escova suave ou um pano seco.

Limpe regularmente o compartimento do motor com um pano húmido. Não utilize nenhum produto de limpeza abrasivo ou a base de solvente.

Abra o mandril regularmente e bata no mesmo para remover qualquer vestígio de pó do seu interior (quando colocado).

Protecção do ambiente



Recolha separada. Este produto não pode ser eliminado juntamente com os resíduos domésticos normais.

Se, em algum momento, for necessário substituir o aparelho ou se este deixar de ter utilidade, não elimine o produto num caixote do lixo. Este produto pode ser separado para reciclagem.



A recolha separada de produtos e embalagens usados permite que os materiais sejam reciclados e reutilizados. A reutilização de materiais reciclados ajuda a evitar a poluição ambiental e reduz a procura de matérias-primas.

A legislação local poderá prever a recolha separada de produtos domésticos eléctricos, seja em lixeiras municipais ou através do revendedor quando adquire um produto novo.

A Black & Decker dispõe de instalações para recolha e reciclagem de produtos Black & Decker quando estes atingem o fim da sua vida útil. Para usufruir deste serviço, devolva o produto em qualquer agente de reparação autorizado, que os recolherá em seu nome.

Podem verificar a localização do agente de reparação autorizado mais perto de si, contactando os escritórios locais da Black & Decker através do endereço indicado neste manual. Se preferir, pode encontrar na Internet uma lista de agentes de reparação autorizados Black & Decker, detalhes completos e contactos do serviço pós-venda, no endereço: www.2helpU.com.

Dados técnicos

	PV9605 - H1 PV9605N - H1	PV1205 - H1 PV1205B - H1 PV1205N - H1 PV1205BN - H1
Tensão	Vcc 9,6	12,0
Peso	kg 1,5	1,6

	PV1405 - H1 PV1405N - H1	PV1805 - H1 PV1805N - H1 PV1805CN - H1
Tensão	Vcc 14,4	18,0
Peso	kg 1,7	1,9

Carregador

Tensão de entrada	Vca 230
Tempo de carga aprox.	h 16
Peso	kg 0,5

Informações sobre Design e Patentes

Pedido de Patente Europeia Número EP 05255024.1

Números de Registo de Desenho da Comunidade Europeia: 423322-0001, 423322-0002 e 423322-0003

Garantia

A Black & Decker confia na qualidade dos seus produtos e oferece uma garantia excelente. Esta declaração de garantia é um complemento dos seus direitos estabelecidos por lei, não os prejudicando de forma alguma. A garantia é válida nos territórios dos Estados Membros da União Europeia e da Associação Europeia de Comércio Livre.

Se um produto Black & Decker se avariar devido a defeitos de material, fabrico ou não conformidade, num período de 24 meses após a data da compra, a Black & Decker garante a substituição de peças defeituosas, a reparação de produtos sujeitos a um desgaste aceitável ou a substituição dos mesmos para garantir o mínimo de inconveniente ao cliente, excepto se:

- ◆ O produto tiver sido utilizado para fins comerciais, profissionais ou de aluguer.
- ◆ O produto tiver sido submetido a utilização indevida ou descuido.
- ◆ O produto tiver sido danificado por objectos estranhos, substâncias ou acidentes.
- ◆ Tiverem sido tentadas reparações por pessoas que não sejam agentes de reparação autorizados ou técnicos de manutenção da Black & Decker.

Para accionar a garantia, terá de apresentar comprovativos de compra ao vendedor ou a um agente de reparação autorizado. Pode verificar a localização do agente de reparação autorizado mais perto de si, contactando os escritórios locais da Black & Decker através do endereço indicado neste manual. Se preferir, pode encontrar na Internet uma lista de agentes de reparação autorizados Black & Decker, detalhes completos e contactos do serviço pós-venda, no endereço: **www.2helpU.com**.

Visite o nosso website **www.blackanddecker.eu** para registar o novo produto Black & Decker e manter-se actualizado relativamente a novos produtos e ofertas especiais. Pode encontrar mais informações sobre a marca Black & Decker e a nossa gama de produtos em **www.blackanddecker.eu**.

Användningsområde

Din handdammsugare Dustbuster från Black & Decker® är konstruerad för torrdammsugning. Apparaten är endast avsedd för hemmabruk.

Allmänna säkerhetsanvisningar för apparaten



Varning! Vid användning av nätdrivna och sladdlösa apparater ska grundläggande säkerhetsföreskrifter, inklusive följande föreskrifter, alltid följas. Detta för att förhindra brand, stötar, personskador och materialskador.

- ◆ Läs hela den här bruksanvisningen noggrant innan du använder apparaten.
- ◆ Användningsområdet beskrivs i den här bruksanvisningen. Om du använder andra tillbehör eller tillsatser eller utför andra åtgärder med apparaten än de som rekommenderas i den här bruksanvisningen kan det leda till personskador.

Begreppet "apparat" som använts i alla varningar syftar på nätdrivna apparater (med nätsladd) eller batteridrivna (sladdlösa) apparater.

Spara alla säkerhetsföreskrifter och anvisningar för framtida bruk.

Använda apparaten

Var alltid försiktig när du använder apparaten.

- ◆ Håll arbetsområdet rent och väl upplyst. Oordning och dålig belysning på arbetsplatsen kan leda till olyckor.
- ◆ Använd endast apparaten i dagsljus eller i tillräcklig artificiell belysning.
- ◆ För att undvika explosionsrisk bör du inte använda apparaten i omgivningar med brandfarliga vätskor, gaser eller damm.
- ◆ Låt aldrig barn eller personer som inte har läst instruktionerna använda apparaten.
- ◆ Låt inte barn eller djur komma i närheten av arbetsområdet. Låt dem inte heller röra vid apparaten eller elsladden.
- ◆ När du arbetar med apparaten ska barn, åskådare och djur hållas på betryggande avstånd. Om du störs kan du förlora kontrollen.
- ◆ Apparaten ska inte användas som leksak.
- ◆ Doppa aldrig apparaten i vatten.
- ◆ Öppna inte höljet. Det finns inga delar som kan repareras inuti.

Personlig säkerhet

- ◆ Var uppmärksam, se på vad du gör och använd apparaten med förnuft. Använd inte en apparat när du är trött eller om du är påverkad av droger, alkohol eller mediciner. Även en kort stunds ouppmärksamhet under användningen kan leda till allvarliga kroppsskador.
- ◆ Använd personlig skyddsutrustning där det krävs. Rätt använd personlig skyddsutrustning, t.ex. skyddsglasögon, dammfiltermask, halkfria säkerhetsskor, hjälm och hörselskydd, minskar risken för kroppsskada.
- ◆ Undvik oavsiktlig igångsättning. Kontrollera att strömbrytaren står i avstängt läge innan ansluter apparaten till elnätet eller sätter i batteriet samt innan du tar upp eller bär den. Olyckor kan inträffa om du bär apparaten med fingret på strömbrytaren eller kopplar den till nätet eller sätter i batteriet med strömbrytaren i till-läge.
- ◆ Sträck dig inte för långt. Se till att du alltid har säkert fötfaeste och balans. På så sätt kan du lättare kontrollera apparaten i oväntade situationer.
- ◆ Bär lämpliga kläder. Bär inte löst hängande kläder eller smycken. Håll undan hår, kläder och handskar från rörliga delar. Löst hängande kläder, smycken och långt hår kan dras in av roterande delar.

Bruk och skötsel av apparaten

- ◆ Kontrollera att apparaten är hel och att den inte innehåller några skadade delar innan du använder den. Kontrollera att inga delar är trasiga, att strömbrytaren fungerar och att inget annat föreligger som kan påverka apparatens funktion.
- ◆ Använd inte apparaten om den inte kan startas och stängas av med strömbrytaren. En apparat som inte kan slås av och på är farlig och måste repareras.
- ◆ Dra stickkontakten ur vägguttaget och/eller ta ur batteriet ur apparaten innan inställningar utförs, tillbehörsdelar byts eller apparaten ställs undan. Därmed undviker du risken för oavsiktlig igångsättning av apparaten.
- ◆ Håll skärverktyg (om sådana finns) skarpa och rena. Omsorgsfullt skötta skärverktyg med skarp egg fastnar inte så lätt och går lättare att styra.
- ◆ Använd inte apparaten om någon del har skadats eller gått sönder.
- ◆ Reparera eller byt ut skadade eller trasiga delar på en auktoriserad verkstad.
- ◆ Försök aldrig ta bort eller byta ut andra delar än de som anges i den här bruksanvisningen.

Elsäkerhet

- ◆ Apparaten stickkontakt måste passa till vägguttaget. Stickkontakten får absolut inte ändras. Använd inte adapterkontakter tillsammans med jordade apparater. Med oförändrade stickkontakter och passande vägguttag minskas risken för elstöt.
- ◆ Skydda apparaten mot regn och väta. Om vatten tränger in en apparat ökar risken för elektriska stötar.
- ◆ Var försiktig med nätsladden. Använd inte sladden för att bära eller dra apparaten och inte heller för att dra ut kontakten ur vägguttaget. Håll nätsladden borta från värme, olja, skarpa kanter och rörliga maskindelar. Risken att du får en elstöt är större om sladdarna är skadade eller tilltrasslade.
- ◆ Använd endast förlängningssladdar som är godkända för utomhusbruk när du arbetar med apparater utomhus. Om du använder en förlängningssladd som är avsedd för utomhusbruk minskar risken för att du ska få en elstöt.
- ◆ Om du måste använda en apparat på en fuktig plats ska ett uttag som skyddas av jordfelsbrytare användas. Jordfelsbrytaren minskar risken för elektriska stötar.

Användning och skötsel av batteridrivna apparat (endast sladdlös)

- ◆ Ladda endast med hjälp av den laddare som tillverkaren rekommenderar. En laddare som passar till en viss sorts batteri kan orsaka eldsvåda om den används med en annan sort.
- ◆ Apparaten ska bara användas med batterier som är speciellt avsedda för ändamålet. Användning av andra batterier kan leda till personskador eller eldsvåda.
- ◆ När batteriet inte används ska du hålla det borta från metallföremål som gem, mynt, nycklar, spik, skruvar och annat som kan orsaka kortslutning mellan batteriets poler. Kortslutning av batteripolerna kan leda till brännskador eller eldsvåda.
- ◆ Om batteriet hanteras ovarsamt kan det tränga ut vätska från batteriet; undvik kontakt med vätskan. Om du ändå råkar komma i kontakt med vätskan ska du skölja med vatten. Uppsök läkare om du får vätskan i ögonen. Batterivätska kan orsaka irritation eller brännskador.

Efter användning

- ◆ När apparaten inte används ska den förvaras på en torr plats med god ventilation och utom räckhåll för barn.
- ◆ Placera apparaten på ett ställe där barn inte kan komma åt den.
- ◆ När apparaten förvaras eller transporteras i en bil ska den placeras i bagageutrymmet eller spännas fast för att förhindra rörelse till följd av plötsliga ändringar i hastighet eller riktning.

Service

- ◆ Apparaten ska bara repareras av utbildade reparatörer och med originalreservdelar. Då vet du att apparaten förblir säker.

Ytterligare säkerhetsinstruktioner för batterier och laddare

Batterier

- ◆ Försök aldrig öppna batterierna.
- ◆ Utsätt inte batteriet för vatten.
- ◆ Utsätt inte batteriet för värme.
- ◆ Förvara inte apparaten på platser där temperaturen kan bli högre än 40 °C.
- ◆ Ladda endast vid lufttemperaturer mellan 10 °C och 40 °C.
- ◆ Ladda endast med hjälp av laddaren som medföljer apparaten. Användning av fel laddare kan resultera i en elektrisk stöt eller att batteriet överhettas.
- ◆ Följ instruktionerna i avsnittet "Miljö" när du gör dig av med batterier.
- ◆ Skydda batteriet från skador/deformeringar i form av slag och stötar eftersom det kan leda till personskador eller eldsvåda.
- ◆ Ladda inte skadade batterier.
- ◆ Under extrema förhållanden kan batterierna läcka. Om det finns vätska på batterierna ska du torka bort vätskan försiktigt med en trasa. Undvik hudkontakt.
- ◆ Vid kontakt med hud eller ögon, följ instruktionerna nedan.

Varning! Batterivätskan kan orsaka person- eller materialskador. Vid hudkontakt, skölj genast med vatten. Vid rodnader, smärta eller irritation ska läkare uppsökas. Vid kontakt med ögon, skölj genast med rent vatten, och uppsök läkare.

Laddare

Laddaren är avsedd för en viss spänning. Kontrollera alltid nätspänningen överensstämmer med värdet på typskylten. **Varning!** Försök aldrig byta ut kontakten till laddaren mot en vanlig kontakt.

- ◆ Använd laddaren från Black & Decker endast för att ladda batteriet i den apparat som laddaren levererades med. Andra batterier kan spricka och orsaka personskador och andra skador.
- ◆ Försök aldrig att ladda ej uppladdningsbara batterier.
- ◆ Om nätsladden är skadad måste den för undvikande av fara bytas ut av tillverkaren eller en auktoriserad Black & Decker-verkstad.
- ◆ Utsätt inte laddaren för vatten.
- ◆ Öppna inte laddaren.
- ◆ Gör ingen åverkan på laddaren.
- ◆ Apparaten/verktyget/batteriet ska placeras på en plats med god ventilation vid laddning.

Elsäkerhet



Eftersom laddaren är dubbelisolerad behövs ingen jordledare. Kontrollera alltid att nätspänningen överensstämmer med värdet på typskylten.

Om nätsladden är skadad måste den för undvikande av fara bytas ut av tillverkaren eller en auktoriserad Black & Decker-verkstad.

Varning! Försök aldrig byta ut kontakten till laddaren mot en vanlig kontakt.

Säkerhet för andra

- ◆ Apparaten ska inte användas av personer (inklusive barn) med nedsatt fysisk eller psykisk förmåga eller bristande erfarenhet eller kunskap om de inte får vägledning och övervakas av en person som ansvarar för deras säkerhet.
- ◆ Barn ska hållas under uppsikt så att de inte leker med apparaten.

Symboler på laddaren



Eftersom laddaren är dubbelisolerad behövs ingen jordledare.



Felsäker isolerande transformator. Elnätet är elektriskt avskilt från transformatorns utgång.



Laddaren stängs av automatiskt om temperaturen blir för hög. Den går då inte längre att använda. Laddaren måste kopplas från eluttaget och tas till en auktoriserad verkstad för reparation.



Laddaren är endast avsedd för användning inomhus.



Ytor kan vara heta vid användning och under avsvältningsperioden.

Funktioner

1. Låsspärr för dammbehållarluckan
2. Dammbehållarlucka
3. Låsknapp för munstycke
4. Strömbrytare med två lägen
5. Filter rengöringshjul
6. Laddningsindikator
7. Laddare
8. Förlängning
9. Munstycke

Fig. D

10. Elementmunstycke (tillbehör, se förpackning)
11. Borstmunstycke (förvaras på apparatens undersida)

Installation

Montera laddaren på väggen (fig. A)

Laddaren kan placeras på ett bord eller monteras på väggen för att du enkelt ska kunna förvara och ladda apparaten.

Om du monterar den på väggen ska du göra det på ett sätt som är lämpligt för väggtypen och för apparatens vikt.

Montering

Ställa in munstycket (fig. B och C)

- ◆ Munstycket (9) sitter under apparaten. Om du vill ställa in det för användning lyfter du upp apparaten från laddaren.
- ◆ Tryck på låsknappen för munstycket (3) och rotera det till rätt läge.
- ◆ Lås munstycket på plats genom att släppa låsknappen.
- ◆ Du kan förlänga munstycket genom att dra ut förlängningen (8) tills den låses på plats.
- ◆ Du drar tillbaka förlängningen genom att trycka på knappen (13) och trycka in den i munstycket.
- ◆ Munstycket bör återföras till förvaringsläget under apparaten när apparaten har använts och medan den laddas.

Montera tillbehör (fig. D)

De här modellerna levereras med alla eller några av följande tillbehör:

- ◆ Ett elementmunstycke (10) för trånga utrymmen.
- ◆ Ett borstmunstycke (11) för möbler och trappor.

Montera tillbehören så här:

- ◆ Ta loss tillbehöret från apparaten.
- ◆ Montera tillbehöret längst fram på apparaten.

Användning

- ◆ Innan apparaten används för första gången måste batteriet laddas i minst 16 timmar.
- ◆ Placera apparaten i laddaren när den inte används.

Ladda batteriet (fig. E)

- ◆ Kontrollera att apparaten är avstängd. Batteriet laddas inte om strömbrytaren är i påslaget läge.
- ◆ Placera apparaten i laddaren (7) enligt bilden.
- ◆ Anslut laddaren. Slå på den vid eluttaget.

Laddningsindikatorn (6) börjar lysa.

- ◆ Låt apparaten laddas i minst 16 timmar.

Medan apparaten laddas kan laddaren bli varm. Det är normalt och innebär inte att något är fel. Apparaten kan lämnas ansluten till laddaren hur länge som helst. Laddningsindikatorn (6) lyser när apparaten är ansluten till laddaren och laddaren är ansluten till ett eluttag.

Varning! Ladda inte batteriet om temperaturen är lägre än 4 °C eller högre än 40 °C.

Slå på och av (fig. F)

- ◆ Slå på apparaten genom att dra fram strömbrytaren (4) till läge 1.
- ◆ Slå på den högre hastigheten genom att dra fram strömbrytaren (4) till läge 2.
- ◆ Slå av apparaten genom att dra tillbaka strömbrytaren (4) till läge 0.

Optimera sugkraften (fig. G - I)

Filtren bör rengöras regelbundet för att optimera sugkraften.

- ◆ Roter a hjulet (5) några varv för att skaka loss damm som tapper till filtren (14 och 15).

Rengöra och underhålla

Varning! Rengör filtren regelbundet (14 och 15).

Rengöra dammbehållaren och filtren (fig. H - J)

Filtren kan återanvändas och bör rengöras med jämna mellanrum.

- ◆ Tryck på låsspärren (1) och öppna luckan till behållaren (2) (fig. H).
- ◆ Töm dammbehållaren.
- ◆ Ta loss filtren (14 och 15) genom att vrida dem moturs (fig. I).
- ◆ Borsta bort allt damm från filtren.
- ◆ Rengör filtren i varm tvållösning (fig. J).
- ◆ Se till att filtren är torra.
- ◆ Sätt tillbaka filtren (14 och 15) i apparaten genom att vrida dem medurs tills de låses på plats.
- ◆ Stäng dammbehållarluckan (2). Se till att låsspärren (1) klickar på plats.

Varning! Använd aldrig apparaten utan filtren. Dammugningen fungerar bäst med rena filter.

Byta filtren

Filtren bör bytas ut var sjätte till nionde månad, eller om de är slitna eller skadade. Filter finns att köpa hos din Black & Decker-återförsäljare (katalognr VF50):

- ◆ Ta loss de gamla filtren enligt beskrivningen ovan.
- ◆ Montera de nya filtren enligt beskrivningen ovan.

Underhåll

Den här Black & Decker-apparaten (med eller utan sladd) är konstruerad för att fungera under lång tid med minsta möjliga underhåll. Med rätt underhåll och regelbunden rengöring behåller verktyget sina prestanda.

Varning! Innan något underhåll utförs på elektriska redskap med eller utan sladd:

- ◆ Stäng av redskapet/verktyget och dra ur nätkontakten.
- ◆ Du kan också ta ut batteriet ur apparaten om apparaten har ett separat batteri.
- ◆ Om batteriet är inbyggt låter du det laddas ur helt innan avstängningen.
- ◆ Dra ur sladden till laddaren innan du rengör den. Laddaren behöver inget annat underhåll än regelbunden rengöring.

Rengör regelbundet luftintaget i apparaten/verktyget/laddaren med en mjuk borste eller torr trasa.

Rengör kåpan regelbundet med en fuktig trasa. Använd aldrig rengöringsmedel med lösnings- eller slipmedel.

Öppna chucken (där sådan finns) med jämna mellanrum och knacka på den för att avlägsna damm som sitter på insidan.

Miljö



Separat insamling. Produkten får inte kastas i hushållssoptorna.

Tänk på miljön när du slänger denna Black & Decker-produkt. Släng den inte tillsammans med hushållsavfallet. Lämnna produkten för separat insamling.



Insamling av uttjänta produkter och förpackningsmaterial gör att material kan återanvändas. Användning av återvunnet material minskar föroreningar av miljön och behovet av råmaterial.

Lokala föreskrifter kan kräva separat insamling av elprodukter från hushållen, vid kommunala insamlingsplatser eller hos återförsäljaren när du köper en ny produkt.

Black & Decker samlar in och återvinner uttjänta Black & Decker-produkter. Om du vill utnyttja denna tjänst återlämnar du produkten till en auktoriserad verkstad, som samlar in den för vår räkning.

För information om närmaste auktoriserade verkstad, kontakta det lokala Black & Decker-kontoret på den adress som är angiven i bruksanvisningen. En lista över alla auktoriserade verkstäder samt servicevillkor finns på Internet: www.2helpU.com.

Tekniska data

	PV9605 - H1	PV1205 - H1
	PV9605N - H1	PV1205B - H1
		PV1205N - H1
		PV1205BN - H1
Spänning	Vdc 9,6	12,0
Vikt	kg 1,5	1,6

	PV1405 - H1	PV1805 - H1
	PV1405N - H1	PV1805N - H1
		PV1805CN - H1
Spänning	Vdc 14,4	18,0
Vikt	kg 1,7	1,9

Laddare

Inspänning	Vac 230
Laddningstid cirka	tim 16
Vikt	kg 0,5

Mönster- och patentinformation

Ansökningsnummer för europeiskt patent: EP 05255024.1

Mönsterregistreringsnummer i Europeiska gemenskapen: 423322-0001, 423322-0002 och 423322-0003

Garanti

Black & Decker garanterar att produkten är fri från material- och/eller fabriktionsfel vid leverans till kund. Garantin gäller utöver konsumentens rättigheter enligt lag och påverkar inte dessa. Garantin gäller inom medlemsstaterna i Europeiska Unionen och i det Europeiska Frihandelsområdet.

Om en Black & Decker-produkt går sönder på grund av material- och/eller fabriktionsfel eller brister i överensstämmelse med specifikationen, inom 24 månader från köpet, åtar sig Black & Decker att reparera eller byta ut produkten med minsta besvär för kunden, förutom om:

- ◆ Produkten har använts kommersiellt, yrkesmässigt eller för uthyrning.
- ◆ Produkten har utsatts för felaktig användning eller skötsel.
- ◆ Produkten har skadats av främmande föremål, ämne eller genom olycka.
- ◆ Reparation har utförts av någon annan än en auktoriserad Black & Decker-verkstad.

Vid garantianspråk ska produkten och inköpskvittot lämnas till återförsäljaren eller till en auktoriserad verkstad. För information om närmaste auktoriserade verkstad, kontakta det lokala Black & Decker-kontoret på den adress som är angiven i bruksanvisningen. En lista över alla auktoriserade verkstäder samt servicevillkor finns på Internet:

www.2helpU.com.

Besök vår webbplats **www.blackanddecker.se** för att registrera din nya Black & Decker-produkt samt för att erhålla information om nya produkter och specialerbjudanden. Vidare information om märket Black & Decker och vårt produktsortiment återfinns på **www.blackanddecker.se.**

Bruksområde

Den håndholdte støvsugeren Dustbuster® fra Black & Decker er konstruert for lett støvsuging på tørre overflater. Apparatet er bare beregnet for bruk i hjemmet.

Generelle sikkerhetsadvarsler for apparater



Advarsel! Ved bruk av nettdrevne/batteridrevne apparater må grunnleggende sikkerhetsforholdsregler (inkludert punktene som er beskrevet nedenfor) alltid følges for å redusere risikoen for brann, elektrisk støt, personskade og skade på materiell.

- ◆ Les hele denne håndboken nøye før du bruker apparatet.
- ◆ Beregnet bruk er beskrevet i denne håndboken. Hvis du bruker annet tilbehør, kobler til annet utstyr eller bruker dette apparatet til andre oppgaver enn det som er anbefalt i denne håndboken, kan det føre til fare for personskade.

Begrepet "apparat" i advarslene gjelder nettdrevet apparat (med ledning) eller batteridrevet apparat (uten ledning).

Ta vare på alle advarsler og instruksjoner for fremtidig bruk.

Bruke apparatet

Vær alltid forsiktig når du bruker apparatet.

- ◆ Hold arbeidsområdet rent, og ha godt lys der. Rotete eller mørke områder kan lett føre til ulykker.
- ◆ Bruk apparatet bare i dagslys eller godt kunstig lys.
- ◆ Ikke bruk apparatet i eksplosjonsfarlige omgivelser, som for eksempel der det befinner seg brennbare væsker, gass eller støv.
- ◆ La aldri barn eller personer som ikke kjenner instruksjonene, bruke apparatet.
- ◆ Pass på at barn og dyr ikke kommer i nærheten av arbeidsområdet, og at de ikke berører apparatet eller strømledningen.
- ◆ Hold barn, andre personer og dyr unna når du bruker apparatet. Hvis du blir forstyrret under arbeidet, kan du miste kontrollen.
- ◆ Apparatet skal ikke brukes som leketøy.
- ◆ Ikke senk apparatet ned i vann.
- ◆ Ikke åpne apparatet. Det er ingen deler inni som brukere skal behandle.

Personsikkerhet

- ◆ Vær oppmerksom, pass på hva du gjør, og gå fornuftig fram når du bruker et apparat. Ikke bruk et apparat når du er trett eller er påvirket av narkotika, alkohol eller medikamenter. Et øyeblikks uoppmerksomhet under bruk av verktøyet kan føre til alvorlige personskader.

- ◆ Bruk personlig verneutstyr når det er nødvendig. Verneutstyr som beskyttelsesbriller, støvmaske, skliskre vernesko, hjelm eller hørselsvern som passer til forholdene, reduserer risikoen for personskader.
- ◆ Forhindre utilsiktet start. Kontroller at bryterne står i posisjon "av" før du kobler til strømkilden og/eller batteripakken, og før du tar opp eller bærer apparatet. Det kan føre til ulykker hvis du bærer apparater med fingeren på bryteren, eller tilfører strøm til apparater når bryterne står på.
- ◆ Ikke strekk deg for langt. Pass på at du alltid har sikkert fotfeste og god balanse. Da kan du kontrollere apparatet bedre i uventede situasjoner.
- ◆ Bruk alltid egnede klær. Ikke bruk løstsittende klær eller smykker. Hold hår, klær og hanser unna bevegelige deler. Løstsittende tøy, smykker eller langt hår kan bli sittende fast i bevegelige deler.

Bruk og behandling av apparater

- ◆ Kontroller at apparatet ikke er skadet eller har defekte deler før du bruker det. Kontroller om noen av delene har sprekker, om bryterne er skadet, eller om det er andre forhold som kan ha innvirkning på bruken.
- ◆ Ikke bruk apparatet hvis det ikke kan slås på og av med bryteren. Et apparat som ikke kan slås på eller av med bryteren, er farlig og må repareres.
- ◆ Trekk støpselet ut av stikkontakten og/eller koble batteripakken fra apparatet før du utfører innstillinger, bytter tilbehør eller oppbevarer apparatet. Disse forebyggende sikkerhetstiltakene reduserer risikoen for utilsiktet start av apparatet.
- ◆ Hold skjæreverktøy skarpe og rene der det er aktuelt. Godt vedlikeholdte skjæreverktøy med skarpe egger setter seg ikke så ofte fast og er lettere å føre.
- ◆ Ikke bruk apparatet hvis noen del er skadet eller defekt.
- ◆ Overlat reparasjon eller utskifting av skadde eller defekte deler til et autorisert serviceverksted.
- ◆ Forsøk aldri å fjerne eller skifte ut andre deler enn dem som er oppgitt i denne håndboken.

Elektrisk sikkerhet

- ◆ Apparatstøpselet må passe i stikkontakten. Støpselet må ikke forandres på noen som helst måte. Ikke bruk adapterstøpsler sammen med jordede apparater. Bruk av originale støpsler og passende stikkontakter reduserer risikoen for elektrisk støt.
- ◆ Hold apparatet unna regn eller fuktighet. Dersom det kommer vann inn i et apparat, øker faren for elektrisk støt.
- ◆ Unngå uforvarslig behandling av ledningen. Bruk aldri ledningen til å bære eller trekke apparatet eller til å trekke ut støpselet. Hold ledningen unna varme, olje, skarpe kanter eller bevegelige deler. Skadde eller sammenflokede ledninger øker risikoen for elektrisk støt.

- ◆ Når du arbeider utendørs med et apparat, må du bruke en skjøteledning som er egnet for utendørs bruk. Når du bruker en skjøteledning som er egnet for utendørs bruk, reduseres risikoen for elektrisk støt.
- ◆ Hvis du ikke kan unngå å bruke et apparat på et fuktig sted, bruker du strømforsyning som er beskyttet med jordfeilbryter. Bruk av jordfeilbryter reduserer risikoen for elektrisk støt.

Bruk og stell av batteriverktøy (bare apparater uten ledning)

- ◆ Gjenoppladningen skal bare skje med den laderen som produsenten har spesifisert. En lader som er egnet til én type batteripakke, kan føre til brannrisiko når den brukes med en annen batteripakke.
- ◆ Apparater skal bare brukes sammen med spesifiserte batteripakker. Bruk av andre batteripakker kan føre til fare for personskader og brann.
- ◆ Når batteripakken ikke er i bruk, må du oppbevare den atskilt fra andre metallgjenstander som binders, mynter, nøkler, spiker, skruer eller andre små metallgjenstander som kan opprette en forbindelse fra en terminal til en annen. Kortslutning av batteriterminalene kan føre til forbrenning eller brann.
- ◆ Under uheldige forhold kan det lekke væske fra batteriet. Unngå å komme i kontakt med væsken. Dersom du ved et uhell kommer i kontakt med væsken, må du skylle med vann. Får du batterivæske i øynene, må du i tillegg oppsøke lege. Væske som kommer ut av batteriet, kan forårsake iritasjoner eller forbrenninger.

Etter bruk

- ◆ Når apparatet ikke er i bruk, skal det oppbevares på et tørt og godt ventilert sted utilgjengelig for barn.
- ◆ Barn skal ikke ha tilgang til apparater som ikke er i bruk.
- ◆ Når apparatet oppbevares eller transporteres i et kjøretøy, bør det plasseres i bagasjerommet eller festes, slik at det ikke beveger seg når kjøretøyet brått endrer hastighet eller retning.

Service

- ◆ Apparatet skal alltid repareres av kvalifisert personell og kun med originale reservedeler. Dette sikrer at apparatets sikkerhet opprettholdes.

Ytterligere sikkerhetsinstruksjoner for batterier og ladere

Batterier

- ◆ Forsøk aldri å åpne uansett hvilket formål du måtte ha.
- ◆ Ikke utsett batteriet for vann.
- ◆ Ikke utsett batteriet for varme.

- ◆ Skal ikke oppbevares på steder der temperaturen kan overskride 40 °C.
- ◆ Skal lades bare ved omgivelsestemperaturer mellom 10 °C og 40 °C.
- ◆ Bruk bare ladere av typen som følger med maskinen/redskapet. Hvis du bruker feil lader, kan dette føre til et elektrisk støt eller at batteriet overopphetes.
- ◆ Følg instruksjonene i avsnittet "Miljø" når du skal kaste batterier.
- ◆ Ikke skad eller deformer batteripakken ved punktering eller støt, da dette kan føre til risiko for personskade og brann.
- ◆ Ikke lad skadede batterier.
- ◆ Under ekstreme forhold kan det forekomme batterilekkasje. Hvis du oppdager væske på batteriene, må du tørke den forsiktig av med en klut. Unngå kontakt med huden.
- ◆ Hvis væsken kommer i kontakt med huden eller øynene, følger du instruksjonene nedenfor.

Advarsel! Batterivæsken kan føre til personskade eller skade på eiendom. Ved hudkontakt skyller du umiddelbart med vann. Hvis huden blir rød eller irritert eller smerter inntreffer, søk øyeblikkelig medisinsk hjelp. Hvis væsken kommer i kontakt med øynene, skyller du umiddelbart med rent vann og søker øyeblikkelig medisinsk hjelp.

Ladere

Laderen er konstruert for en bestemt spenning. Kontroller alltid at nettspenningen er i overensstemmelse med spenningen på typeskiltet.

Advarsel! Prøv aldri å skifte ut laderen med et vanlig nettstøpsel.

- ◆ Black & Decker-laderen skal bare brukes til å lade batteriet i apparatet/verktøyet som laderen kom sammen med. Andre batterier kan sprekke og føre til personskade og materiell skade.
- ◆ Prøv aldri å lade ikke-oppladbare batterier.
- ◆ Hvis strømedningen blir skadet, må den skiftes av produsenten eller et autorisert Black & Decker-servicenter for å unngå fare.
- ◆ Ikke utsett laderen for vann.
- ◆ Ikke åpne laderen.
- ◆ Ikke stikk gjenstander eller fingre ned i laderen.
- ◆ Apparatet/verktøyet/batteriet må plasseres på et sted med god gjennomlufting når det lades.

Elektrisk sikkerhet



Dette laderen er dobbeltisolert. Jording er derfor ikke nødvendig. Kontroller alltid at nettspenningen er i overensstemmelse med spenningen på typeskiltet.

Hvis strømledningen blir skadet, må den skiftes av produsenten eller et autorisert Black & Decker-servicenter for å unngå fare.

Advarsel! Prøv aldri å skifte ut laderen med en vanlig nettplugg.

Andre personers sikkerhet

- ◆ Det er ikke meningen at dette apparatet skal brukes av personer (inkludert barn) med reduserte fysiske, sansemessige eller mentale evner, eller som mangler erfaring og kunnskap, med mindre de har fått oppfølging eller instruksjon når det gjelder bruken av apparatet, fra en person som er ansvarlig for deres sikkerhet.
- ◆ Barn skal være under tilsyn så du er sikker på at de ikke leker med apparatet.

Symboler på ladeenheten



Dette ladeenheten er dobbeltisoleret. Jording er derfor ikke nødvendig.



Feilsikker skilletransformator. Nettstrømtilførselen er elektrisk skilt fra transformatorutgangen.



Laderen slår seg av automatisk hvis temperaturen i omgivelsene blir for høy. Som følge av dette vil ikke laderen virke. Ladeenheten må kobles fra strømforsyningen og repareres på et autorisert serviceverksted.



Ladeenheten er bare beregnet for bruk innendørs.



Overflater kan bli varme under bruk og i nedkjølingsperioden.

Funksjoner

1. Utløseranordning for beholderdøren
2. Beholderdør
3. Låseknapp for oppsamleren
4. På/av-bryter med to hastigheter
5. Filterrengjøringshjul
6. Ladningsindikator
7. Ladeenhet
8. Forlengelsesstykke for støvoppsamler
9. Støvoppsamler

Figur D

10. Smalt sugestykke (valgfritt tilbehør, se emballasje)
11. Børste (oppbevares på undersiden av apparatet)

Installasjon

Montere ladeenheten på veggen (figur A)

Ladeenheten kan plasseres på en benkeplate eller festes til veggen for å fungere som praktisk oppbevarings- og ladningssted for apparatet.

Ved montering på vegg må du sørge for at festemetoden passer til veggtypen, og at festet kan bære vekten av apparatet.

Montering

Tilpasning av støvoppsamleren (figur B og C)

- ◆ Støvoppsamleren (9) oppbevares under apparatet. For å gjøre den klar for bruk løfter du apparatet av ladeenheten.
- ◆ Trykk inn låseknappen (3) for oppsamleren og drei støvoppsamleren til ønsket posisjon.
- ◆ Slipp ut låseknappen for oppsamleren for å låse støvoppsamleren i aktuell posisjon.
- ◆ Du kan forlenge støvoppsamleren ved å trekke ut forlengelsesstykket (8) til det låses i posisjon.
- ◆ Forlengelsesstykket kan føres inn igjen ved at du trykker på knappen (13) og skyver forlengelsesstykket tilbake inn i støvoppsamleren.
- ◆ Støvoppsamleren bør dreies til oppbevaringsposisjon under apparatet etter bruk og når apparatet lades.

Sette på tilbehør (figur D)

Disse modellene leveres med noe av eller alt dette tilbehøret:

- ◆ Et smalt sugestykke (10) for vanskelig tilgjengelige steder.
- ◆ En børste (11) for møbler og trapper.

Når du skal sette på tilbehør, gjør du følgende:

- ◆ Ta tilbehøret fra apparatet.
- ◆ Sett inn det aktuelle tilbehøret foran på apparatet.

Bruk

- ◆ Før første gangs bruk skal batteriet lades i minst 16 timer.
- ◆ Sett apparatet i ladeenheten når det ikke er i bruk.

Ladning av batteriet (figur E)

- ◆ Forsikre deg om at apparatet er slått av. Batteriet vil ikke bli ladet hvis på/av-bryteren er i stillingen "på".
- ◆ Sett apparatet i ladeenheten (7) som vist.
- ◆ Sett laderen i stikkontakten. Slå på strømmen.

Ladningsindikatoren (6) slår seg på.

- ◆ La apparatet lade i minst 16 timer.

Under ladingen kan laderen bli varm. Dette er normalt og betyr ikke at noe er feil. Apparatet kan være tilkoblet laderen uten tidsbegrensning. Ladningsindikatoren (6) vil lyse så lenge apparatet er tilkoblet den strømførende laderen.

Advarsel! Ikke lad batteriet hvis temperaturen i omgivelsene er under 4 °C eller over 40 °C.

Start og stopp (figur F)

- ◆ Når du skal slå apparatet på, skyver du på/av-bryteren (4) fremover til posisjon 1.
- ◆ Ønsker du full effekt, skyver du på/av-bryteren (4) fremover til posisjon 2.
- ◆ Når du skal slå apparatet av, skyver du på/av-bryteren (4) bakover til posisjon 0.

Optimalisering av sugekraften (figur G – I)

For å opprettholde best mulig sugekraft må du rengjøre filterne regelmessig under bruk.

- ◆ Drei hjulet (5) rundt noen ganger for å riste ut støv som har festet seg til filterne (14 og 15).

Rengjøring og vedlikehold

Advarsel! Rengjør filterne regelmessig (14 og 15).

Rengjøring av støvbeholderen og filterne (figur H – J)

Filterne kan brukes på nytt og bør rengjøres jevnlig.

- ◆ Trykk inn utløseranordningen (1) og åpne beholderdøren (2) (figur H).
- ◆ Tøm støvbeholderen.
- ◆ Ta ut filterne (14 og 15) ved å vri dem mot klokken (figur I).
- ◆ Børst eventuelt løst støv av filterne.
- ◆ Vask filterne i varmt såpevann (figur J).
- ◆ Sørg for at filterne er tørre.
- ◆ Sett filterne (14 og 15) inn igjen i apparatet og vri dem med klokken til de låses på plass.
- ◆ Lukk beholderdøren (2). Sørg for at utløseranordningen (1) klikker på plass.

Advarsel! Bruk aldri apparatet uten filterne. Optimal støvsuging kan bare oppnås med rene filtre.

Utskifting av filterne

Filterne bør skiftes ut hver 6.–9. måned og ellers hvis de er slitte eller skadet. Reservefiltere får du hos din Black & Decker-forhandler (kat.nr. VF50):

- ◆ Ta ut de gamle filterne som beskrevet ovenfor.
- ◆ Sett inn de nye filterne som beskrevet ovenfor.

Vedlikehold

Det nettdrevne/batteridrevne Black & Decker-apparatet/verktøyet er konstruert for å være i drift over lengre tid med et minimum av vedlikehold. Det er avhengig av riktig stell og regelmessig rengjøring for å fungere som det skal til enhver tid.

Advarsel! Før du utfører vedlikehold på nettdrevet/batteridrevet elektroverktøy:

- ◆ Slå av apparatet/verktøyet og trekk ut støpselet.
- ◆ Eller slå av apparatet/verktøyet og fjern batteriet fra dette hvis apparatet/verktøyet har separat batteripakke.
- ◆ Eller la batteriet gå helt tomt hvis det er innebygd, og slå deretter av.
- ◆ Fjern laderen fra stikkkontakten før du rengjør den. Laderen krever ikke annet vedlikehold enn regelmessig rengjøring.

Rengjør ventilasjonsåpningene i apparatet/verktøyet/laderen jevnlig med en myk børste eller tørr klut.

Rengjør motorhuset regelmessig med en fuktig klut. Ikke bruk slipende eller løsemiddelbaserte rengjøringsmidler.

Åpne chucken regelmessig, og bank på den for å fjerne eventuelt støv fra innsiden (hvis det er aktuelt).

Miljø



Separat avfallshåndtering. Dette produktet må ikke kastes sammen med husholdningsavfall.

Hvis du synes Black & Decker-produktet bør skiftes ut, eller du ikke har bruk for det lenger, må du ikke kaste det sammen med husholdningsavfall. Sørg for separat avfallshåndtering for dette produktet.



Hvis brukte produkter og emballasje leveres atskilt, kan materialer resirkuleres og brukes på nytt. Gjenbruk av resirkulerte materialer bidrar til redusert miljøforurensing og reduserer behovet for råmaterialer.

Det kan være lokale bestemmelser for separat avfallshåndtering for elektriske produkter fra husstander på kommunale avfallsplasser eller hos forhandleren, når du kjøper et nytt produkt.

Black & Decker har en ordning for innsamling og resirkulering av Black & Decker-produkter som ikke skal brukes lenger. Du kan benytte denne tjenesten ved å levere produktet til et hvilket som helst autorisert serviceverksted.

Du kan finne ut hvor nærmeste autoriserte serviceverksted er, ved å kontakte din lokale Black & Decker-avdeling på adressen som er oppgitt i denne håndboken. En oversikt over autoriserte Black & Decker-serviceverksteder og alle opplysninger om ettersalgsservice og kontakter er også tilgjengelig på Internett: www.2helpU.com.

Tekniske data

	PV9605 - H1 PV9605N - H1	PV1205 - H1 PV1205B - H1 PV1205N - H1 PV1205BN - H1
Spenning	V DC 9,6	12,0
Vekt	kg 1,5	1,6

	PV1405 - H1 PV1405N - H1	PV1805 - H1 PV1805N - H1 PV1805CN - H1
Spenning	V DC 14,4	18,0
Vekt	kg 1,7	1,9

Lader

Inngangsspenning	V AC 230
Omtrentlig ladetid	t 16
Vekt	kg 0,5

Mønster- og patentinformasjon

Europeisk patentsøknadsnummer EP 05255024.1

Mønsterregistreringsnumre (EU):

423322-0001, 423322-0002 og 423322-0003

Garanti

Black & Decker er trygg på kvaliteten på sine produkter og tilbyr en enestående garanti. Denne garantierklæringen kommer i tillegg til dine lovbestemte rettigheter og er ikke i konflikt med disse. Garantien er gyldig i EU- og EFTA-medlemsstatene.

Hvis et Black & Decker-produkt går i stykker på grunn av material- og/eller fabrikkasjonsfeil eller har mangler i forhold til spesifikasjonene innen 24 måneder fra kjøpet, påtar Black & Decker seg å skifte ut defekte deler, reparere produkter som har vært utsatt for alminnelig slitasje, eller bytte ut slike produkter med minst mulig vanskelighet for kunden, med mindre:

- ◆ produktet har vært brukt i yrkes-/næringsvirksomhet eller til utleie.
- ◆ produktet har vært utsatt for feilaktig bruk eller forsømmelse.

- ◆ produktet har blitt skadet av fremmede gjenstander eller stoffer eller ved et uhell.
- ◆ andre enn autoriserte serviceverksteder eller Black & Deckers serviceteknikere har forsøkt å reparere produktet.

For å ta garantien i bruk må du vise kjøpskvittering til forhandleren eller til et autorisert serviceverksted. Du kan finne ut hvor nærmeste autoriserte serviceverksted er, ved å kontakte din lokale Black & Decker-avdeling på adressen som er oppgitt i denne håndboken. En oversikt over autoriserte Black & Decker-serviceverksteder og alle opplysninger om ettersalgsservice og kontakter er også tilgjengelig på Internett: www.2helpU.com

Besøk vårt webområde www.blackanddecker.no for å registrere ditt nye Black & Decker-produkt og for å holde deg oppdatert om nye produkter og spesialtilbud. Du finner mer informasjon om Black & Decker og produktutvalget vårt på www.blackanddecker.no.

Anvendelsesområde

Din Black & Decker Dustbuster® håndholdte støvsuger er udviklet til let tør støvsugning. Apparatet er kun beregnet til brug i husholdninger.

Generelle sikkerhedsadvarsler for apparatet



Advarsel! Ved brug af apparater, der strømforsynes fra forsyningsnettet/ledningsfri apparater, er det vigtigt, at grundlæggende sikkerhedsforholdsregler, herunder bl.a. nedenstående, altid følges for at mindske risikoen for brand, elektrisk stød, personskade og materiel skade.

- ◆ Læs hele vejledningen omhyggeligt, før du bruger apparatet.
- ◆ Den tilsigtede brug er beskrevet i denne vejledning. Brugen af ekstraudstyr eller tilbehør eller udførelse af andet arbejde med dette apparat end det, der anbefales i denne vejledning, kan udgøre en risiko for personskade.

Begrebet "apparat", der benyttes i nedenstående advarsler, henviser til netdrevne apparater (med netledning) eller batteridrevne apparater (ledningsfri).

Gem alle advarsler og instruktioner til senere brug.

Brug af apparatet

Vær altid opmærksom ved brugen af apparatet.

- ◆ Hold arbejdsområdet rent og godt oplyst. Rodede og uoplyste områder øger risikoen for uheld.
- ◆ Brug kun apparatet i dagslys eller ved god kunstig belysning.
- ◆ Brug ikke apparatet i eksplosive omgivelser, f.eks. hvor der er brændbare væsker, gasser eller støv.
- ◆ Lad ikke børn eller personer, der ikke har læst denne vejledning, benytte apparatet.
- ◆ Lad ikke børn eller dyr komme i nærheden af arbejdsområdet eller røre ved apparatet eller netledningen.
- ◆ Hold børn, omkringstående og dyr på afstand, når der arbejdes med et apparat. Du kan miste kontrollen over værktøjet, hvis du bliver distraheret.
- ◆ Apparatet må ikke bruges som legetøj.
- ◆ Apparatet må ikke nedsænkes i vand.
- ◆ Kabinettet må ikke åbnes. Der er ingen dele inde i kabinettet, som kan serviceres af brugeren.

Personlig sikkerhed

- ◆ Vær opmærksom, hold øje med, hvad du laver, og brug apparatet fornuftigt. Brug ikke et apparat, hvis du er træt eller påvirket af stoffer, medicin eller alkohol. Et øjeblik uopmærksomhed under brug af et apparat kan medføre alvorlig personskader.

- ◆ Brug om nødvendigt personligt sikkerhedsudstyr. Brug af værnemidler som f.eks. øjenbeskyttelse, støvmaske, skridsikkert fodtøj, beskyttelseshjelm eller høreværn nedsætter risikoen for personskader, hvis udstyret anvendes korrekt.
- ◆ Sørg for, at værktøjet ikke kan starte utilsigtet. Kontroller, at afbryderkontakten står på slukket, inden apparatet tilsluttes strømkilden og/eller batteriet, samles op eller bæres. Bæres apparatet, mens fingrene er på kontakten, eller tilsluttes det, mens kontakten står på tændt, kan der nemt ske en ulykke.
- ◆ Stræk dig ikke for langt. Sørg for, at du altid har sikkert fodfæste og balance. Så har du bedre styr på apparatet, hvis der opstår uventede situationer.
- ◆ Brug egnet arbejdstøj. Undgå løse beklædningsgenstande eller smykker. Hold hår, tøj og handsker væk fra dele, der bevæger sig. Bevægelige dele kan gribe fat i løst tøj, smykker eller langt hår.

Brug og vedligeholdelse af apparater

- ◆ Kontroller apparatet for beskadigede eller defekte dele før brug. Se efter knækkede dele, skader på kontakter og eventuelle andre tilstande, der kan påvirke apparatets funktion.
- ◆ Brug ikke apparatet, hvis afbryderen er defekt. Apparatet, der ikke kan afbrydes, er farligt og skal repareres.
- ◆ Træk stikket ud af stikkontakten og/eller batteriet inden indstilling, tilbehørsudskiftning eller opbevaring af apparatet. Disse sikkerhedsforanstaltninger reducerer risikoen for utilsigtet start af apparatet.
- ◆ Hold skæreværktøj skarpt og rent. Ordentligt vedligeholdt skæreværktøj med skarpe skærekanter sætter sig ikke så hurtigt fast og er nemmere at styre.
- ◆ Brug ikke apparatet med beskadigede eller defekte dele.
- ◆ Få beskadigede eller defekte dele repareret eller udskiftet på et autoriseret værksted.
- ◆ Forsøg aldrig at fjerne eller udskifte dele ud over dem, der er beskrevet i denne vejledning.

Elektricitet og sikkerhed

- ◆ Apparatets stik skal passe til stikkontakten. Stikket må under ingen omstændigheder ændres. Brug ikke adapterstik sammen med jordforbundne apparater. Uændrede stik, der passer til stikkontakterne, nedsætter risikoen for elektrisk stød.
- ◆ Apparatet må ikke udsættes for regn eller fugt. Indtrængen af vand i apparatet øger risikoen for elektrisk stød.

- ◆ Undgå at ødelægge ledningen. Bær, træk eller afbryd ikke apparatet vha. ledningen. Beskyt ledningen mod varme, olie, skarpe kanter eller bevægelige dele. Beskadigede eller sammenflettede ledninger øger risikoen for elektrisk stød.
- ◆ Hvis et apparat benyttes i det fri, skal der benyttes en forlængerledning, som er godkendt til udendørs brug. Brug af en forlængerledning til udendørs brug nedsætter risikoen for elektrisk stød.
- ◆ Brug en strømkilde med fejlstrømsbeskyttelse, hvis det er nødvendigt at anvende et apparat på fugtige steder. Med en fejlstrømsbeskyttelse reduceres risikoen for elektrisk stød.

Brug og vedligeholdelse af batteridrevne værktøjer (kun ledningsfri apparater)

- ◆ Genoplad kun med den lader, som producenten har angivet. En lader, der er velegnet til én type batteripakke, kan udgøre en brandfare, hvis den bruges til en anden batteripakke.
- ◆ Brug kun apparater sammen med batteripakker, der er specifikt beregnet hertil. Brugen af andre batteripakker kan medføre personskade og brand.
- ◆ Når batteripakken ikke er i brug, skal den holdes på afstand af andre metalobjekter, f.eks. papirclips, mønter, nøgler, søm, skruer og andre metalobjekter, som kan skabe forbindelse mellem de to poler. Kortslutning af batteriet kan forårsage forbrændinger eller brand.
- ◆ I visse situationer kan batteriet lække. Undgå kontakt. Skyl med vand i tilfælde af kontakt. Søg læge, hvis væsken kommer i kontakt med øjnene. Væske, der lækker fra batteriet, kan forårsage irritation eller forbrændinger.

Efter brug

- ◆ Opbevar apparatet på et tørt, godt ventileret sted uden for børns rækkevidde, når det ikke er i brug.
- ◆ Opbevar apparater utilgængeligt for børn.
- ◆ Når apparatet opbevares eller transporteres i et køretøj, skal det anbringes i bagagerummet eller fastgøres for at forhindre bevægelse som følge af pludselige ændringer i hastighed eller retning.

Service

- ◆ Få altid apparatet repareret af kvalificerede fagfolk med originale reservedele. Dermed opretholdes apparatets sikkerhed.

Yderligere sikkerhedsvejledninger - batterier og opladere

Batterier

- ◆ Forsøg aldrig at åbne uanset årsag.
- ◆ Batteriet må ikke udsættes for fugt.
- ◆ Batteriet må ikke udsættes for varme.
- ◆ Opbevar ikke batterier på steder, hvor temperaturen kan overstige 40°C.
- ◆ Oplad kun ved omgivelsestemperaturer mellem 10°C og 40°C.
- ◆ Brug kun den oplader, der fulgte med apparatet/værktøjet, til opladning. Brug af den forkerte oplader kan medføre elektrisk stød eller overophedning af batteriet.
- ◆ Følg vejledningen i afsnittet "Miljøbeskyttelse" ved bortskaffelse af batterier.
- ◆ Undgå at beskadige/deformere batteripakken ved at punktere den eller slå på den, da dette kan forårsage risiko for tilskadecomst eller brand.
- ◆ Beskadigede batterier må ikke oplades.
- ◆ Under ekstreme forhold kan der forekomme batterilækage. Hvis du bemærker væske på batterierne, skal du omhyggeligt tørre den af med en klud. Undgå kontakt med huden.
- ◆ I tilfælde af kontakt med hud eller øjne, skal du følge nedenstående anvisninger.

Advarsel! Batterivæsken kan forårsage personskade eller materielle skader. I tilfælde af kontakt med huden skylles straks med vand. Søg læge, hvis der opstår rødme, smerte eller irritation. Skyl straks med rent vand, og søg læge i tilfælde af kontakt med øjnene.

Ladere

Laderen er udviklet til en specifik spænding. Kontroller altid, at netspændingen svarer til spændingen på typeskiltet.

Advarsel! Forsøg aldrig at erstatte laderenheden med et almindeligt netstik.

- ◆ Brug kun din Black & Decker-lader til at oplade batteriet i det apparat/værktøj, som den blev leveret sammen med. Andre batterier kan eksplodere og forårsage personskade og materiel skade.
- ◆ Forsøg aldrig at oplade ikke-genopladelige batterier.
- ◆ Hvis netledningen beskadiges, skal den udskiftes af producenten eller et autoriseret Black & Decker-værksted, så farlige situationer undgås.
- ◆ Laderen må ikke udsættes for fugt.
- ◆ Laderen må ikke åbnes.
- ◆ Undersøg ikke laderen.
- ◆ Apparatet/værktøjet/batteriet skal anbringes et sted med god udluftning, når det oplades.

Elektricitet og sikkerhed



Laderen er dobbelt isoleret. Derfor er en jordledning ikke nødvendig. Kontroller altid, at netspændingen svarer til spændingen på typeskiltet.

Hvis netledningen beskadiges, skal den udskiftes af producenten eller et autoriseret Black & Decker-værksted, så farlige situationer undgås.

Advarsel! Forsøg aldrig at erstatte laderenheden med et almindeligt netstik.

Andres sikkerhed

- ◆ Dette apparat må ikke bruges af personer (herunder børn) med nedsatte fysiske, sensoriske eller mentale evner eller manglende erfaring og viden, med mindre det sker under overvågning, eller de vejledes i brugen af apparatet af en person, der er ansvarlig for deres sikkerhed.
- ◆ Børn skal holdes under opsyn, så det sikres, at de ikke leger med værktøjet.

Symboler på laderens basisenhed



Laderens basisenhed er dobbelt isoleret. Derfor er en jordledning ikke nødvendig.



Fejlsikker skilletransformer. Netforsyningen er elektrisk adskilt fra transformervedgangen.



Laderen slår automatisk fra, hvis omgivelsestemperaturen bliver for høj. Som følge deraf holder laderen op med at fungere. Laderens basisenhed skal afbrydes fra netforsyningen og indleveres til reparation på et autoriseret værksted.



Laderens basisenhed er kun beregnet til indendørs brug.



Overfladerne kan være varme under brugen og i afkølingsfasen.

Funktioner

1. Udløserknap til beholderdæksel
2. Beholderdæksel
3. Låseknap til mundstykke
4. Afbryderkontakt med to hastigheder
5. Drejeknap til rengøring af filtre
6. Ladeindikator
7. Laderens basisenhed
8. Forlænger til mundstykke
9. Mundstykke

Fig. D

10. Sprækkeforsats (ekstraudstyr, se emballagen)
11. Børsteforsats (opbevares under apparatet)

Montering

Vægmontering af basisenheden (fig. A)

Basisenheden kan placeres på en arbejdsflade eller monteres på væggen, hvilket giver et praktisk opbevarings- og opladningssted til apparatet.

Ved vægmontering skal det sikres, at fastgøringsmetoden er egnet til vægtypen og kan bære apparatets vægt.

Samling

Justering af mundstykket (fig. B og C)

- ◆ Mundstykket (9) kan opbevares under apparatet. Løft apparatet ud af basisenheden for at gøre det klar til brug.
- ◆ Tryk på låseknapen til mundstykket (3), og drej mundstykket til den ønskede position.
- ◆ Slip låseknapen til mundstykket for at låse mundstykket fast i denne position.
- ◆ Mundstykket kan forlænges ved at trække forlængerer til mundstykket (8) ud, til det låses fast.
- ◆ Forlængerer kan trykkes ind igen ved at trykke på knappen (13) og samtidig skubbe forlængerer tilbage ind i mundstykket.
- ◆ Mundstykket skal sættes tilbage i opbevaringspladsen under apparatet efter brug, og mens apparatet genoplades.

Påsætning af tilbehøret (fig. D)

Disse modeller leveres med noget af eller alt nedenstående tilbehør:

- ◆ En sprækkeforsats (10) til arbejde under trange pladsforhold.
- ◆ En børsteforsats (11) til møbler og trappetrin.

Monter tilbehøret som følger:

- ◆ Fjern tilbehøret fra apparatet.
- ◆ Monter det ønskede tilbehør foran på apparatet.

Anvendelse

- ◆ Før første ibrugtagning skal batteriet oplades i mindst 16 timer.
- ◆ Sæt apparatet i basisenheden, når det ikke er i brug.

Opladning af batteriet (fig. E)

- ◆ Kontroller, at apparatet er slukket. Batteriet oplades ikke, når afbryderkontakten er i tændt position.
- ◆ Sæt apparatet i basisenheden (7) som vist.
- ◆ Tilslut laderen. Tænd på stikkontakten.

Ladeindikatoren (6) begynder at lyse.

- ◆ Lad apparatet lade i mindst 16 timer.

Under opladningen kan laderen blive varm. Dette er helt normalt og ikke tegn på et problem. Apparatet kan være tilsluttet til laderen i længere perioder. Ladeindikatoren (6) lyser, så længe apparatet er tilsluttet til laderen, der er sat i stikkontakten.

Advarsel! Batteriet må ikke oplades i omgivelsestemperaturer under 4 °C eller over 40 °C.

Tænd og sluk (fig. F)

- ◆ Tænd apparatet ved at skubbe afbryderkontakten (4) fremad til position 1.
- ◆ Skub afbryderkontakten (4) fremad til position 2, hvis du ønsker fuld effekt.
- ◆ Sluk apparatet ved at skubbe afbryderkontakten (4) tilbage til position 0.

Optimering af sugeeffekten (fig. G - I)

For at sikre optimal sugeeffekt skal filtrene rengøres regelmæssigt under brug.

- ◆ Drej drejeknappen (5) et par omdrejninger for at ryste det støv ud, der tilstopper filtrene (14 og 15).

Rengøring og vedligeholdelse

Advarsel! Rengør filtrene (14 og 15) regelmæssigt.

Rengøring af støvbeholderen og filtrene (fig. H - J)

Filtrene er genanvendelige og skal rengøres regelmæssigt.

- ◆ Tryk på udløserknappen (1) for at åbne beholderdækslet (2) (fig. H).
- ◆ Tøm støvbeholderen.
- ◆ Fjern filtrene (14 og 15) ved at dreje dem mod uret (fig. I).
- ◆ Børst løstsiddende støv af filtrene.
- ◆ Vask filtrene i varmt sæbevand (fig. J).
- ◆ Sørg for, at filtrene er helt tørre.
- ◆ Sæt filtrene (14 og 15) i apparatet igen ved at dreje dem med uret, til de låses på plads.
- ◆ Luk beholderdækslet (2). Kontroller, at udløserknappen (1) låser på plads.

Advarsel! Apparatet må aldrig bruges uden filtrene. Optimal støvsugning kan kun opnås med rene filtre.

Udskiftning af filtrene

Filtrene skal udskiftes hver 6. til 9. måned, og i øvrigt hvis de bliver slidte eller beskadiget. Udskiftningsfiltre fås hos Black & Decker-forhandleren (katalognr. VF50):

- ◆ Tag de gamle filtre ud af apparatet som beskrevet ovenfor.
- ◆ Sæt de nye filtre i apparatet som beskrevet ovenfor.

Vedligeholdelse

Dit Black & Decker-apparat/værktøj med eller uden ledning er beregnet til brug gennem lang tid med et minimum af vedligeholdelse. Forsat tilfredsstillende drift afhænger af korrekt behandling af værktøjet samt regelmæssig rengøring.

Advarsel! Før udførelse af nogen form for vedligeholdelse på elværktøj med/uden ledning:

- ◆ Sluk, og tag apparatets/værktøjets stik ud af stikkontakten.
- ◆ Eller sluk og fjern batteriet fra apparatet/værktøjet, hvis det har en separat batteripakke.
- ◆ Eller aflad batteriet helt, hvis det er indbygget, og sluk derefter.
- ◆ Træk laderen ud af stikkontakten, før den rengøres. Laderen kræver ingen vedligeholdelse, men skal rengøres jævnligt.

Rengør jævnligt apparatets/værktøjets/laderens ventilationshuller med en blød børste eller en tør klud.

Rens med jævne mellemrum motorhuset med en fugtig klud. Der må ikke bruges skuremidler eller opløsningsmidler.

Åbn jævnligt patronen, og bank på den for at fjerne indvendigt støv (hvis monteret).

Miljøbeskyttelse



Separat bortskaffelse. Dette produkt må ikke bortskaffes sammen med almindeligt husholdningsaffald.

Når dit Black & Decker-produkt en dag er udtjent, eller du ikke længere har brug for det, må du ikke smide det ud sammen med det almindelige affald. Produktet skal bortskaffes separat.



Ved separat bortskaffelse af brugte produkter og emballage bliver der mulighed for at genanvende forskellige materialer. Genanvendelse af materialer medvirker til at forebygge miljøforurening og mindsker behovet for råstoffer.

Lokal lovgivning kan kræve separat indsamling af elektriske husholdningsapparater på kommunale affaldsdepoter eller af den detailhandlende ved køb af et nyt produkt.

Black & Decker sørger for at indsamle og genanvende Black & Decker-produkter, når disse ikke længere kan bruges. Hvis du vil benytte dig af denne service, skal du returnere produktet til et autoriseret værksted, der indsamler produkterne for os.

Kontakt det lokale Black & Decker-kontor på den adresse, der er angivet i denne vejledning, for at få oplysninger om nærmeste autoriserede værksted. En liste over alle autoriserede Black & Decker-serviceværksteder samt servicevilkår og kontaktpersoner er tilgængelig på internettet på adressen: www.2helpU.com.

Tekniske data

	PV9605 - H1 PV9605N - H1	PV1205 - H1 PV1205B - H1 PV1205N - H1 PV1205BN - H1
Spænding	Vdc 9,6	12,0
Vægt	kg 1,5	1,6

	PV1405 - H1 PV1405N - H1	PV1805 - H1 PV1805N - H1 PV1805CN - H1
Spænding	Vdc 14,4	18,0
Vægt	kg 1,7	1,9

Lader

Indgangsspænding	Vac 230
Ladetid ca.	t 16
Vægt	kg 0,5

Design- og patentoplysninger

Europæisk patentansøgningsnummer EP 05255024.1

EU-designregistreringsnumre:

423322-0001, 423322-0002 og 423322-0003

Garanti

Black & Decker garanterer, at produktet er fri for skader og fejl og tilbyder en fremragende garanti. Garantien er et tillæg til forbrugers lovsikrede rettigheder og påvirker ikke disse. Garantien gælder inden for medlemsstaterne af den Europæiske Union og i det Europæiske Frihandelsområde.

Hvis et Black & Decker-produkt går i stykker på grund af materiel skade og/eller fabrikationsfejl eller på anden måde ikke fungerer i overensstemmelse med specifikationen inden for 24 måneder fra købsdatoen, påtager Black & Decker sig at reparere eller ombytte produktet med mindst mulig ulempe for kunden. Garantien gælder ikke for fejl og mangler, der er sket i forbindelse med:

- ◆ Produktet har været anvendt erhvervs-mæssigt eller til udlejning.
- ◆ Produktet har været anvendt forkert eller er ikke vedligeholdt.

- ◆ Produktet er beskadiget af fremmedlegemer, substanser eller pga. uheld.
- ◆ Garantien gælder ikke, hvis reparationer er udført af andre end et autoriseret Black & Decker-værksted.

For at udnytte garantien skal produktet og købskvitteringen indleveres til forhandleren eller til et autoriseret værksted. Kontakt det lokale Black & Decker-kontor på den adresse, der er opgivet i denne vejledning, for at få oplysninger om nærmeste autoriserede værksted. En liste over alle autoriserede Black & Decker-serviceværksteder samt servicevilkår og kontaktpersoner er tilgængelig på internettet på adressen: www.2helpU.com.

Gå venligst ind på vores website www.blackanddecker.dk for at registrere dit nye produkt og for at blive holdt ajour om nye produkter og specialtilbud. Der findes yderligere oplysninger om mærket Black & Decker og vores produktsortiment på adressen www.blackanddecker.dk.

Käyttötarkoitus

Black & Decker Dustbuster® -rikkaimuri on tarkoitettu keyveen kuivaimurointiin. Laite on tarkoitettu ainoastaan kotitalouskäyttöön.

Laitteiden yleiset turvavaroitukset



Varoitus! Sähkölaitteita / johdottomia laitteita käytettäessä on aina noudatettava asianmukaisia turvaohjeita, jotta tulipalojen, sähköiskujen, henkilövahinkojen ja materiaali- tai vaurioiden riski olisi mahdollisimman pieni.

- ◆ Lue nämä ohjeet huolellisesti ennen laitteen käyttöä.
- ◆ Käyttötarkoitus kuvataan ohjeissa. Muiden kuin ohjeissa suositeltujen lisävarusteiden tai -osien käyttö sekä laitteen käyttö muuhun kuin oppaassa suositeltuun tarkoitukseen voi aiheuttaa henkilövahingon vaaran.

Varoituksissa käytetty käsite "laite" tarkoittaa verkkokäyttöisiä laitteita (joissa on verkkojohto) tai akkukäyttöisiä laitteita (joissa ei ole verkkojohtoa).

Säästä kaikki varoitukset ja ohjeet tulevaa käyttöä varten.

Laitteen käyttö

Ole aina huolellinen käyttäessäsi laitetta.

- ◆ Pidä työalue puhtaana ja hyvin valaistuna. Työpaikan epäjärjestys ja valaisemattomat työalueet voivat johtaa tapaturmiin.
- ◆ Käytä laitetta vain päivänvalossa tai hyvin valaistulla alueella.
- ◆ Älä käytä laitetta räjähdysalttiissa ympäristössä, jossa on palavaa nestettä, kaasua tai pölyä.
- ◆ Älä koskaan anna lasten tai kenenkään, joka ei ole lukenut käyttöohjetta, käyttää laitetta.
- ◆ Älä anna lasten tai eläinten tulla lähelle työskentelyaluetta tai koskea laitteen virtajohtoon.
- ◆ Pidä lapset, sivulliset ja eläimet loitolla laitetta käytettäessäsi. Voit menettää laitteesi hallinnan huomiosi suuntautuessa muualle.
- ◆ Laitetta ei tule käyttää leluina.
- ◆ Älä upota laitetta veteen.
- ◆ Älä avaa laitteen koteloa. Sen sisällä ei ole käyttäjän huollettavissa olevia osia.

Henkilöturvallisuus

- ◆ Ole valpas, keskity työhön ja noudata tervettä järkeä laitteen käytössä. Älä käytä laitetta, jos olet väsynyt tai huumeiden, alkoholin tai lääkkeiden vaikutuksen alaisena. Hetken tarkkaamattomuus laitetta käytettäessä saattaa johtaa vakavaan loukkaantumiseen.

- ◆ Käytä tarvittaessa henkilökohtaisia suojavarusteita. Suojavarusteet, kuten suojalasit, hengityssuojain, luistamattomat turvajalkineet, kypärä ja kuulosuojaimet, pienentävät loukkaantumisriskiä, jos niitä käytetään tilanteen mukaan oikein.
- ◆ Vältä tahatonta käynnistämistä. Varmista, että virta on katkaistu käyttökylkimellä, ennen kuin liität laitteen virtalähteeseen ja/tai akkuun, nostat laitteen tai kannat sitä. Onnettomuusvaara lisääntyy, jos kannat laitetta sormi käyttökylkimellä tai kytket laitteen virtajohtoon pistorasiaan, kun käyttökylkin on päällä.
- ◆ Älä kurkota. Seiso aina tukevasti ja tasapainossa. Niin voit paremmin hallita laitetta odottamattomissa tilanteissa.
- ◆ Käytä tarkoitukseen sopivia vaatteita. Älä käytä väljiä työvaatteita tai koruja. Pidä hiukset, vaatteet ja käsineet loitolla liikkuvista osista. Väljät vaatteet, korut ja pitkät hiukset voivat takertua liikkuviin osiin.

Laitteiden käyttö ja hoito

- ◆ Tarkista ennen laitteen käyttöä, ettei laitteessa ole vahingoittuneita tai viallisia osia. Tarkista osien ja kytkimien kunto sekä muut seikat, jotka voivat vaikuttaa laitteen toimintaan.
- ◆ Älä käytä laitetta, jota ei voida käynnistää ja pysäyttää virtakylkimestä. Laite, jota ei enää voida käynnistää ja pysäyttää käynnistyskytkimellä, on vaarallinen, ja se täytyy korjata.
- ◆ Irrota pistotulppa pistorasiasta ja/tai akku laitteesta, ennen kuin suoritat säätöjä, vaihdat tarvikkeita tai siirät laitteen varastoitavaksi. Tällä tavoin pienennetään laitteen tahattoman käynnistymisen mahdollisuutta.
- ◆ Pidä mahdolliset leikkausterät terävinä ja puhtaina. Huolellisesti hoidetut leikkausterät, joiden leikkausreunat ovat teräviä, eivät tartu helposti kiinni, ja niitä on helpompi hallita.
- ◆ Älä käytä laitetta, jos jokin osa on vahingoittunut tai viallinen.
- ◆ Korjauta tai vaihdata vaurioituneet tai vialliset osat valtuutetussa huoltoliikkeessä.
- ◆ Älä koskaan yritä korjata tai vaihtaa muita kuin tässä käyttöohjeessa erikseen määritellyjä osia.

Sähköturvallisuus

- ◆ Laitteen pistokkeen tulee sopia pistorasiaan. Pistoketta ei saa muuttaa millään tavalla. Älä käytä maadoitettuja laitteita mitään pistorasiasovittimia. Alkuperäiset pistokkeet ja niille sopivat pistorasiat vähentävät sähköiskun vaaraa.
- ◆ Älä käytä laitetta sateessa tai märissä olosuhteissa. Laitteen sisään joutunut vesi voi aiheuttaa sähköiskun.

- ◆ Älä käsittele virtajohtoa kovakouraisesti. Älä käytä sitä laitteen kantamiseen, vetämiseen tai pistokkeen irrottamiseen pistorasiasta. Pidä johto loitolla kuumuudesta, öljystä, terävistä reunoista ja liikkuvista osista. Vahingoittuneet tai sotkeutuneet johdot lisäävät sähköiskun vaaraa.
- ◆ Käyttäessäsi laitetta ulkona käytä ainoastaan ulkokäyttöön soveltuvaa jatkojohtoa. Ulkokäyttöön soveltuvan jatkojohdon käyttö pienentää sähköiskun vaaraa.
- ◆ Jos laitetta on välttämättä käytettävä kosteassa paikassa, käytä jäännösvirtalaitteella (RCD) suojattua virtalähdettä. Jäännösvirtalaitteen käyttö vähentää sähköiskun vaaraa.

Akkukäyttöisten työkalujen käyttö ja hoito (vain verkkojohdottomat laitteet)

- ◆ Lataa akku vain valmistajan määrittelemässä laturissa. Laturi, joka soveltuu määrätyn tyyppiselle akulle, saattaa muodostaa tulipalovaaran erilaista akkua ladattaessa.
- ◆ Käytä laitteissa ainoastaan kyseiseen laitteeseen tarkoitettua akkua. Muun tyyppisen akun käyttö saattaa johtaa loukkaantumiseen ja tulipaloon.
- ◆ Pidä irrallinen akku loitolla metalliesineistä, kuten paperinliittimistä, kolikoista, avaimista, nauloista, ruuveista tai muista pienistä metalliesineistä, jotka voivat oikosulkea akun koskettimet. Akun koskettimien välinen oikosulku saattaa aiheuttaa palovammoja tai tulipalon.
- ◆ Väärin käytetyistä akusta voi vuotaa nestettä. Älä kosketa sitä. Jos nestettä pääsee vahingossa iholle, huuhtelee kosketuskohta vedellä. Jos nestettä pääsee silmiin, tarvitaan lisäksi lääkärin apua. Akusta vuotava neste saattaa aiheuttaa ärsytystä ja palovammoja.

Käytön jälkeen

- ◆ Kun laitetta ei käytetä, säilytä sitä kuivassa, hyvin tuuletetussa paikassa poissa lasten ulottuvilta.
- ◆ Pidä laite lasten ulottumattomissa.
- ◆ Kun laitetta säilytetään tai kuljetetaan ajoneuvossa, sijoita se tavaratilaan tai kiinnitä se kunnolla, ettei se matkan aikana pääse liikkumaan.

Huolto

- ◆ Korjauta laite koulutetulla ja ammattitaitoisella henkilöllä ja hyväksy korjauksiin vain alkuperäisiä varaosia. Siten varmistat, että laite säilyy turvallisena.

Akkua ja laturia koskevat turvaohjeet

Akku

- ◆ Älä koskaan yritä avata akkua.
- ◆ Älä anna akun kastua.
- ◆ Älä altista akkua kuumuudelle.
- ◆ Älä säilytä akkua tiloissa, joissa lämpötila voi nousta yli 40 °C:n.
- ◆ Lataa akku paikassa, jonka lämpötila on vähintään 10 °C ja enintään 40 °C.
- ◆ Käytä akun lataamiseen vain laitteen mukana toimitettua laturia. Väärän tyyppinen laturi voi aiheuttaa sähköiskun tai akun ylikuumentumisen.
- ◆ Noudata akkujen hävittämisessä kohdassa Ympäristönsuojelu esitettyjä ohjeita.
- ◆ Suojaa akkua vahingoittumiselta niin, ettei sen kotelo rikkoudu eikä siihen kohdistu iskuja, sillä muutoin voi syntyä henkilövahinkojen ja tulipalon vaara.
- ◆ Älä lataa viallisia akkuja.
- ◆ Vaativissa oloissa voi ilmetä akkuvuotoja. Jos havaitset akkujen pinnalla nestettä, pyyhi se huolellisesti pois. Vältä ihokosketusta.
- ◆ Jos nestettä joutuu silmiin tai iholle, noudata alla olevia ohjeita.

Varoitus! Akkuneste voi aiheuttaa aineellisia vahinkoja tai henkilövahinkoja. Jos nestettä joutuu iholle, se on välittömästi huuhdeltava pois vedellä. Jos ihoa kirvelee tai se punottaa tai on muuten ärtynyt, kysy lisäohjeita lääkäriltä. Jos nestettä joutuu silmiin, huuhto välittömästi puhtaalla vedellä ja mene lääkäriin.

Laturit

Laturi on tarkoitettu tietylle jännitteelle. Tarkista aina, että verkkojännite vastaa arvokilvessä ilmoitettua jännitettä.

Varoitus! Älä yritä korvata laturiyksikköä tavallisella verkkojohdolla.

- ◆ Käytä Black & Deckerin laturia vain laitteen/työkalun mukana toimitetun akun lataamiseen. Muut akut voivat räjähtää ja aiheuttaa henkilövahinkoja tai aineellisia vahinkoja.
- ◆ Älä koskaan yritä ladata akkuja, joita ei ole tarkoitettu ladattaviksi.
- ◆ Jos virtajohto vahingoittuu, sen vaihtaminen tulee turvallisuussyistä jättää valmistajan tai valtuutetun Black & Decker -huollon tehtäväksi.
- ◆ Älä altista laturia vedelle.
- ◆ Älä avaa laturia.
- ◆ Älä työnnä mitään laturin sisään.
- ◆ Lataa laite/työkalu/akku paikassa, jossa on kunnollinen ilmanvaihto.

Sähköturvallisuus



Laturi on kaksoeristetty, joten erillistä maadoitusta ei tarvita. Tarkista aina, että verkkojännite vastaa arvokilvessä ilmoitettua jännitettä.

Jos virtajohto vahingoittuu, sen vaihtaminen tulee turvallisuussyistä jättää valmistajan tai valtuutetun Black & Decker -huollon tehtäväksi.

Varoitus! Älä yritä vaihtaa laturiin tavallista verkkovirran pistoketta.

Muiden turvallisuus

- ◆ Tätä laitetta ei ole tarkoitettu sellaisten henkilöiden käyttöön, joilla on fyysisiä tai älyllisiä rajoitteita tai aistirajoitteita, eikä laitteen toimintaan perehtymättömien henkilöiden käyttöön (lapset mukaan luettuina), paitsi valvonnan alaisina tai jos he ovat saaneet laitteen käyttöön liittyvää opastusta heidän turvallisuudestaan vastaavalta henkilöiltä.
- ◆ Lapsia on valvottava ja heitä on estettävä leikkimästä laitteella.

Laturin merkinnät



Laturi on kaksoeristetty; joten erillistä maadoitusta ei tarvita.



Toimintavarma eristävä muuntaja. Muuntajalähtö on eristetty sähköisesti sähköverkosta.



Laturi kytkeytyy automaattisesti pois päältä, jos ympäröivä lämpötila nousee liian korkeaksi. Tällöin laturia ei voi enää käyttää. Irrota laturi sähköverkosta ja toimita se valtuutettuun huoltoliikkeeseen korjattavaksi.



Laturi on tarkoitettu ainoastaan sisäkäyttöön.



Pinnat voivat kuumeta käytön ja jäähtymisen aikana.

Yleiskuvas

1. Säiliön luukun vapautussalpa
2. Säiliön luukku
3. Kerääjän lukituspainike
4. Kaksinopeuksinen virrankatkaisija
5. Suodattimen puhdistuspyörä
6. Lataustilan ilmaisin
7. Laturi
8. Pölynkerääjän jatkokappale
9. Pölynkerääjä

Kuva D

10. Litteä suulake (valinnainen, ks. pakkaus)
11. Harjasuulake (säilytetään laitteen alaosassa)

Asennus

Laturin kiinnittäminen seinään (kuva A)

Laturi voidaan asettaa työtasolle tai kiinnittää seinään, ja se on kätevä laitteen säilytys- ja latauspaikka.

Varmista seinäkiinnityksessä, että kiinnitystapa on seinätyyppiin ja laitteen painoon nähden sopiva.

Kokoaminen

Pölynkerääjän säätö (kuvat B ja C)

- ◆ Pölynkerääjä (9) on laitteen alaosassa. Säädä se käyttöä varten nostamalla laite laturista.
- ◆ Paina pölynkerääjän lukituspainiketta (3) ja käännä kerääjä oikeaan asentoon.
- ◆ Lukitse pölynkerääjän asento vapauttamalla kerääjän lukituspainike.
- ◆ Pölynkerääjän voi pidentää vetämällä jatkokappaletta (8), kunnes se lukittuu paikoilleen.
- ◆ Jatkokappaleen voi palauttaa paikalleen painamalla painiketta (13) ja työntämällä jatkokappaleen takaisin pölynkerääjän sisään.
- ◆ Pölynkerääjä on asetettava säilytysasentoon laitteen alaosaan käytön jälkeen ja latauksen ajaksi.

Lisävarusteiden kiinnitys (kuva D)

Näihin malleihin kuuluu seuraavia lisävarusteita (osa näistä tai kaikki):

- ◆ Litteä suulake (10), tarkoitettu ahtaiden tilojen imurointiin.
- ◆ Harjasuulake (11), tarkoitettu huonekalujen ja portaiden imurointiin.

Kiinnitä lisävaruste seuraavasti:

- ◆ Irrota lisävarusteet laitteesta.
- ◆ Kiinnitä haluamasi lisävaruste laitteen nokkaan.

Käyttö

- ◆ Ennen ensimmäistä käyttökertaa akku on ladattava vähintään 16 tuntia.
- ◆ Aseta laite laturiin aina, kun et käytä laitetta.

Akun lataaminen (kuva E)

- ◆ Varmista, että laite on kytketty pois päältä. Akku ei lataudu, jos virtakytkin on päällä-asennossa.
- ◆ Aseta laite laturiin (7) kuvan osoittamalla tavalla.
- ◆ Kytke laturi pistorasiaan. Kytke virta.

Lataustilan ilmaisin (6) syttyy.

- ◆ Anna laitteen latautua vähintään 16 tuntia.

Laite saattaa lämmetä latautuessaan. Tämä on normaalia eikä ole merkki ongelmasta. Laite voidaan jättää laturiin vaikka kuinka pitkäksi aikaa. Lataustilan ilmaisin (6) palaa niin kauan kuin laite on pistorasiaan liitettyssä laturissa.

Varoitus! Älä lataa akkua, jos ympäröivä lämpötila on alle +4 °C tai yli +40 °C.

Käynnistys ja pysäytys (kuva F)

- ◆ Käynnistä laite siirtämällä virtakytkin (4) eteenpäin asentoon 1.
- ◆ Aseta laite täydelle teholle siirtämällä virtakytkin (4) eteenpäin asentoon 2.
- ◆ Sammuta laite siirtämällä virtakytkin (4) takaisin asentoon 0.

Imutehon optimointi (kuvat G–I)

Jotta imuteho pysyisi mahdollisimman hyvänä, suodattimet on puhdistettava säännöllisesti käytön aikana.

- ◆ Käännä pyörää (5) muutama kierros suodattimia (14 ja 15) tukkivan pölyn poistamiseksi.

Puhdistus ja hoito

Varoitus! Puhdista suodattimet (14 ja 15) säännöllisesti.

Pölynkerääjän ja suodattimien puhdistus (kuvat H–J)

Suodattimet ovat uudelleen käytettäviä, ja ne on puhdistettava säännöllisesti.

- ◆ Paina vapautussalpa (1) ja avaa säiliön luukku (2) (kuva H).
- ◆ Tyhjennä pölysäiliö.
- ◆ Irrota suodattimet (14 ja 15) kääntämällä niitä vastapäivään (kuva I).
- ◆ Harjaa kaikki irrallinen pöly pois suodattimista.
- ◆ Pese suodattimet lämpimässä saippuavedessä (kuva J).
- ◆ Varmista, että suodattimet ovat kuivat.
- ◆ Aseta suodattimet (14 ja 15) takaisin laitteeseen ja käännä niitä myötäpäivään, kunnes ne lukittuvat paikalleen.
- ◆ Sulje säiliön luukku (2). Varmista, että vapautussalpa (1) napsahtaa paikalleen.

Varoitus! Älä koskaan käytä laitetta ilman suodattimia.

Parhaan puhdistustuloksen saa vain, kun suodattimet ovat puhtaat.

Suodattimien vaihtaminen

Suodattimet on hyvä vaihtaa 6–9 kuukauden välein ja aina, kun ne ovat kuluneet tai vahingoittuneet. Vaihtosuodattimia saat Black & Decker -jälleenmyyjältä (tuotenro VF50).

- ◆ Poista vanhat suodattimet yllä kuvatulla tavalla.
- ◆ Aseta uudet suodattimet paikalleen yllä kuvatulla tavalla.

Huolto

Verkkojohdolla varustettu tai verkkojohdoton Black & Deckerin laite/työkalu on suunniteltu toimimaan mahdollisimman kauan mahdollisimman vähällä huollolla. Oikealla huollolla ja säännöllisellä puhdistuksella kone säilyttää suorituskykynsä.

Varoitus! Ennen verkkojohdolla varustetun tai verkkojohdoton sähkötyökalun huoltoa toimi seuraavasti.

- ◆ Sammuta laite/työkalu ja irrota se verkkovirrasta.
- ◆ Jos laitteessa/työkalussa on erillinen akku, sammuta laite/työkalu ja irrota sen akku.
- ◆ Jos akku on kiinteä, käytä akku täysin loppuun ja sammuta laite/työkalu sitten.
- ◆ Irrota laturi pistorasiasta ennen laturin puhdistamista. Laturi ei tarvitse säännöllisen puhdistamisen lisäksi mitään muuta huoltoa.

Puhdista laiteen/työkalun/laturin ilma-aukot säännöllisesti pehmeällä harjalla tai kuivalla kangasliinalla.

Puhdista moottorikotelo säännöllisesti kostealla rievulla. Älä koskaan käytä puhdistamiseen liuotainaineita tai syövyttäviä puhdistusaineita.

Avaa istukka säännöllisesti ja naputtele pöly pois sen sisältä (soveltuvin osin).

Ympäristönsuojelu



Erillinen keräys. Tätä tuotetta ei saa hävittää normaalin kotitalousjätteen mukana.

Kun Black & Decker -laitteesi aikanaan täytyy vaihtaa tai ei kelpaa enää käyttöön, älä hävitä laitetta kotitalousjätteen mukana. Toimita laite kierrätettäväksi.



Käytettyjen tuotteiden ja pakkausmateriaalien erilliskeruun avulla materiaalit voidaan kierrättää ja käyttää uudelleen. Kierrätysmateriaalien käyttö auttaa vähentämään ympäristön saastumista ja uusien raaka-aineiden tarvetta.

Paikallisissa säädöksissä voidaan määrätä, että kodin sähkötuotteiden keruu tapahtuu kaupunkien jätteidenkäsittelyasemilla tai laitteita myyvissä liikkeissä uuden tuotteen oston yhteydessä.

Kun laitteesi on käytetty loppuun, älä hävitä sitä tavallisten roskien mukana, vaan vie se paikkakuntasi kierrätyskeskukseen tai jätä se valtuutettuun Black & Deckerin huoltoliikkeeseen.

Tiedot valtuutetuista huoltoliikkeistä saa ottamalla yhteyttä Black & Decker Oy:hyn. Valtuutettujen Black & Decker -huoltoliikkeiden yhteystiedot sekä lisätietoja palveluistamme ja takuuehdoista on Internetissä osoitteessa:

www.2helpU.com.

Tekniset tiedot

	PV9605 - H1 PV9605N - H1	PV1205 - H1 PV1205B - H1 PV1205N - H1 PV1205BN - H1
Jännite	V DC 9,6	12,0
Paino	kg 1,5	1,6

	PV1405 - H1 PV1405N - H1	PV1805 - H1 PV1805N - H1 PV1805CN - H1
Jännite	V DC 14,4	18,0
Paino	kg 1,7	1,9

Laturi

Syöttöjännite	V AC 230
Arvioitu latausaika	h 16
Paino	kg 0,5

Malli- ja patenttitiedot

Eurooppalainen patenttihakemusnumero EP 05255024.1

Mallin rekisteröintinumero (Eurooppa):

423322-0001, 423322-0002 ja 423322-0003

Takuu

Black & Decker takaa, ettei tuotteessa ollut materiaali- ja/tai valmistusvikaa silloin, kun se toimitettiin ostajalle. Takuu on lisäys kuluttajan laillisiin oikeuksiin eikä vaikuta niihin. Takuu on voimassa Euroopan unionin jäsenmaissa ja Euroopan vapaakauppa-alueella (EFTA).

Mikäli Black & Decker -tuotteessa ilmenee vika materiaali- ja/tai valmistusvirheen tai teknisten tietojen epätarkkuuden vuoksi 24 kk:n kuluessa ostopäivästä, Black & Decker takaa vaihtavansa vialliset osat, korjata tuotteet, jotka ovat altistuneet normaalille kulumiselle, tai vaihtaa tällaiset tuotteet varmistaakseen mahdollisimman vähäisen haitan syntymisen asiakkaalle.

- ◆ Tuotetta on käytetty kaupalliseen, ammattimaiseen tai vuokraustarkoitukseen.
- ◆ Tuote on altistunut väärinkäytölle tai sen huolto on laiminlyöty.

- ◆ Tuote on vahingoittunut vieraiden esineiden, aineiden tai onnettomuuksien vuoksi.
- ◆ Jos korjauksia on yrittänyt jokin muu kuin Black & Deckerin valtuuttama edustaja tai Black & Deckerin henkilökunta.

Edellytyksenä takuun saamiselle on, että ostaja jättää koneen ja ostokuitin jälleenmyyjälle tai valtuutetulle huoltoliikkeelle. Saat valtuutettujen huoltoliikkeiden yhteystiedot ottamalla yhteyden Black & Decker Oy:hyn tässä käyttöoppaassa ilmoitetussa osoitteessa.

Valtuutettujen Black & Decker -huoltoliikkeiden yhteystiedot sekä lisätietoja palveluistamme ja takuuehdoista on Internetissä osoitteessa: www.2helpU.com.

Voit rekisteröidä uuden Black & Decker -tuotteesi ja tarkastella tietoja uusista tuotteista ja erikoistarjouksista verkkosivuiltamme www.blackanddecker.fi. Saat lisätietoja Black & Deckerin tavaramerkistä ja tuotevalikoimastamme osoitteesta www.blackanddecker.fi.

Ενδεδειγμένη χρήση

Το ηλεκτρικό σκουπάκι Black & Decker Dustbuster® έχει σχεδιαστεί για ελαφρύ ηλεκτρικό σκούπισμα στεγνών επιφανειών. Αυτή η συσκευή προορίζεται μόνο για οικιακή χρήση.

Γενικές προειδοποιήσεις ασφαλείας για τη συσκευή

Προειδοποίηση! Κατά τη χρήση συσκευών που τροφοδοτούνται με ηλεκτρικό ρεύμα/χωρίς καλώδιο,

θα πρέπει να λαμβάνονται πάντα οι βασικές προφυλάξεις ασφαλείας, συμπεριλαμβανομένων των παρακάτω, για τον περιορισμό του κινδύνου πυρκαγιάς, ηλεκτροπληξίας, τραυματισμού προσώπων και υλικών ζημιών.

- Πριν χρησιμοποιήσετε τη συσκευή διαβάστε προσεκτικά ολόκληρο το εγχειρίδιο.
- Η ενδεδειγμένη χρήση περιγράφεται σε αυτό το εγχειρίδιο. Τόσο η χρήση εξαρτημάτων ή προσαρτημάτων όσο και η χρήση της συσκευής για εργασίες που δε συνιστώνται σε αυτό το εγχειρίδιο οδηγούν εγκυμονεί κίνδυνο τραυματισμού.

Ο χαρακτηρισμός "συσκευή" που χρησιμοποιείται στις προειδοποιήσεις αφορά τη συσκευή που συνδέεται στην πρίζα (με καλώδιο) ή που λειτουργεί με μπαταρία (χωρίς καλώδιο).

Φυλάξτε όλες τις προειδοποιήσεις και τις οδηγίες για μελλοντική αναφορά.

Χρήση της συσκευής σας

Προσέχετε πάντα όταν χρησιμοποιείτε τη συσκευή.

- Διατηρείτε το χώρο εργασίας καθαρό και καλά φωτισμένο. Οι ακατάστατοι χώροι και τα σημεία χωρίς καλό φωτισμό προκαλούν ατυχήματα.
- Χρησιμοποιείτε τη συσκευή μόνο στο φως της ημέρας ή σε καλό τεχνητό φωτισμό.
- Μη χρησιμοποιείτε τη συσκευή σας σε περιβάλλον όπου υπάρχει κίνδυνος έκρηξης, π.χ. παρουσία εύφλεκτων υγρών, αερίων ή σκόνης.
- Ποτέ μην επιτρέπετε σε μικρά παιδιά ή σε άτομα που δεν έχουν διαβάσει το εγχειρίδιο οδηγιών να χρησιμοποιήσουν τη συσκευή.
- Μην επιτρέπετε σε παιδιά ή ζώα να πλησιάζουν στο χώρο εργασίας ή να αγγίζουν τη συσκευή ή το καλώδιο τροφοδοσίας.
- Όταν χρησιμοποιείτε μία συσκευή, κρατάτε τα παιδιά, άλλα άτομα και τα ζώα μακριά. Εάν αποσπαστεί η προσοχή σας μπορεί να χάσετε τον έλεγχο.
- Η συσκευή δεν πρέπει να χρησιμοποιείται ως παιχνίδι.
- Μη βυθίζετε τη συσκευή μέσα σε νερό.
- Μην ανοίγετε το περίβλημα του κυρίως τμήματος της συσκευής. Τα εξαρτήματα στο εσωτερικό δεν επιδέχονται επισκευή από το χρήστη.

Ασφάλεια προσώπων

- Προσέξτε, όταν χρησιμοποιείτε μια συσκευή, να συγκεντρώνετε στην εργασία που κάνετε και να επιστρατεύετε την κοινή λογική. Μη χρησιμοποιείτε μια συσκευή όταν είστε κουρασμένοι ή όταν βρίσκεστε υπό την επήρεια ναρκωτικών, οινοπνεύματος ή φαρμάκων. Μια στιγμή αμωροσεξία κατά το χειρισμό μιας συσκευής μπορεί να οδηγήσει σε σοβαρούς τραυματισμούς.
- Να χρησιμοποιείτε εξοπλισμό προσωπικής προστασίας όπου απαιτείται. Ο κίνδυνος τραυματισμών μειώνεται όταν χρησιμοποιείτε προστατευτικά ματιών, εξοπλισμό προστασίας, όπως μάσκα προστασίας από σκόνη, αντιοισθητικά παπούτσια ασφαλείας, κράνη ή ωτασπίδες, ανάλογα με τις συνθήκες εργασίας.
- Προλαμβάνετε την ακούσια ενεργοποίηση. Βεβαιωθείτε ότι ο διακόπτης λειτουργίας βρίσκεται στη θέση "OFF" πριν συνδέσετε τη συσκευή στην πρίζα ή/και στην μπαταρία και πριν τη σηκώσετε ή τη μεταφέρετε. Η μεταφορά συσκευών με το δάχτυλό σας επάνω στο διακόπτη ή η σύνδεση στην πρίζα συσκευών με το διακόπτη στη θέση ενεργοποίησης, ενέχει κινδύνους πρόκλησης ατυχημάτων.
- Μην τεντώνετε. Φροντίστε πάντοτε να έχετε την κατάλληλη στάση και να διατηρείτε την ισορροπία σας. Αυτό σας επιτρέπει τον καλύτερο έλεγχο της συσκευής σε περιπτώσεις απροσδόκων καταστάσεων.
- Φοράτε κατάλληλη ενδυμασία εργασίας. Μη φοράτε φαρδιά ρούχα ή κοσμήματα. Κρατάτε τα μαλλιά, τα ενδύματα και τα γάντια σας μακριά από τα κινούμενα εξαρτήματα. Τα φαρδιά ρούχα, τα κοσμήματα και τα μακριά μαλλιά μπορεί να εμπλακούν στα κινούμενα μέρη.

Χρήση και συντήρηση της συσκευής

- Πριν από τη χρήση, ελέγξτε τη συσκευή για τυχόν κατεστραμμένα ή ελαττωματικά εξαρτήματα. Ελέγξτε αν υπάρχουν σπασμένα εξαρτήματα, ζημιά σε διακόπτες και οτιδήποτε άλλο που μπορεί να επηρεάσει τη λειτουργία της.
- Μη χρησιμοποιείτε τη συσκευή εάν ο διακόπτης λειτουργίας είναι χαλασμένος. Μια συσκευή της οποίας η λειτουργία δεν μπορεί να ελεγχθεί με το διακόπτη είναι επικίνδυνο και πρέπει να επισκευαστεί.
- Βγάλτε το φως από την πρίζα ή/και την μπαταρία από τη συσκευή, πριν διεξαγάτε κάποια εργασία ρύθμισης, πριν αλλάξετε κάποιο εξάρτημα ή όταν πρόκειται να αποθηκεύσετε τις συσκευές. Αυτά τα προληπτικά μέτρα ασφαλείας μειώνουν τον κίνδυνο να τεθεί η συσκευή ακούσια σε λειτουργία.

- Όπου εφαρμόζεται, διατηρείτε τα κοπτικά εργαλεία κοφτερά και καθαρά. Τα κοπτικά εργαλεία με αιχμηρά κοπτικά άκρα που συντηρούνται σωστά έχουν λιγότερες πιθανότητες να μπλοκάρουν και ελέγχονται ευκολότερα.
- Μη χρησιμοποιείτε τη συσκευή, αν κάποιο εξάρτημα της έχει καταστραφεί ή παρουσιάζει ελάττωμα.
- Φροντίστε να γίνει η επισκευή ή η αντικατάσταση των τυχόν ελαττωματικών εξαρτημάτων από εξουσιοδοτημένο κέντρο επισκευών.
- Μην επιχειρήσετε ποτέ να αφαιρέσετε ή να αντικαταστήσετε οποιοδήποτε εξάρτημα, εκτός από αυτά που καθορίζονται σε αυτό το εγχειρίδιο.

Ασφαλής χρήση ηλεκτρικού ρεύματος

- Το φως της συσκευής πρέπει να ταιριάζει στην αντίστοιχη πρίζα. Δεν επιτρέπεται με κανέναν τρόπο η μετασκευή του φως. Μη χρησιμοποιείτε προσαρμολογικά φως με γειωμένες συσκευές. Τα φως που δεν έχουν υποστεί τροποποιήσεις και οι κατάλληλες πρίζες μειώνουν τον κίνδυνο ηλεκτροπληξίας.
- Μην εκθέτετε τη συσκευή στη βροχή ή στην υγρασία. Η διείσδυση νερού στη συσκευή αυξάνει τον κίνδυνο ηλεκτροπληξίας.
- Μην κακομεταχειρίζεστε το καλώδιο. Μη χρησιμοποιείτε ποτέ το καλώδιο για να μεταφέρετε τη συσκευή, να την τραβήξετε ή να την αποσυνδέσετε από την πρίζα. Κρατάτε το καλώδιο μακριά από θερμότητα, λάδια, αιχμηρά άκρα ή κινούμενα εξαρτήματα. Τυχόν χαλασμένα ή μπερδεμένα καλώδια αυξάνουν τον κίνδυνο ηλεκτροπληξίας.
- Όταν χρησιμοποιείτε μια συσκευή σε εξωτερικούς χώρους, να χρησιμοποιείτε πάντοτε καλώδια προέκτασης κατάλληλα για χρήση σε εξωτερικούς χώρους. Η χρήση προεκτάσεων κατάλληλων για εργασία σε εξωτερικούς χώρους μειώνει τον κίνδυνο ηλεκτροπληξίας.
- Εάν η χρήση μιας συσκευής σε μια υγρή τοποθεσία είναι αναπόφευκτη, χρησιμοποιήστε μια Διάταξη Προστασίας Ρεύματος Διαρροής (RCD). Η χρήση διάταξης RCD μειώνει τον κίνδυνο ηλεκτροπληξίας.

Χρήση και συντήρηση της συσκευής (μόνο για συσκευές χωρίς καλώδιο)

- Επαναφορτίξτε μόνο με το φορτιστή που καθορίζεται από τον κατασκευαστή. Ένας φορτιστής που είναι κατάλληλος για έναν τύπο μπαταρίας μπορεί να προκαλέσει κίνδυνο πυρκαγιάς εάν χρησιμοποιηθεί με άλλη μπαταρία.
- Χρησιμοποιείτε τις συσκευές αποκλειστικά και μόνο με τις καθοριζόμενες μπαταρίες. Η χρήση άλλων μπαταριών μπορεί να προκαλέσει κίνδυνο τραυματισμού και πυρκαγιάς.

- Όταν η μπαταρία δε χρησιμοποιείται, μην την πλησιάζετε σε μεταλλικά αντικείμενα όπως συνδετήρες, κέρματα, κλειδιά, καρφιά, βίδες ή άλλα μικρά μεταλλικά αντικείμενα που μπορούν να βραχυκυκλώσουν τους δύο ακροδέκτες της. Εάν βραχυκυκλώσουν οι πόλοι της μπαταρίας μπορεί να προκληθούν εγκαύματα ή πυρκαγιά.
- Υπό ακραίες συνθήκες, είναι δυνατή η διαρροή υγρού από την μπαταρία, με το οποίο πρέπει να αποφυγείτε την επαφή. Σε περίπτωση κατά λάθος επαφής, ξεπλύνετε με νερό. Εάν το υγρό έρθει σε επαφή με τα μάτια, ζητήστε και ιατρική βοήθεια. Το υγρό που διαρρέει από την μπαταρία μπορεί να προκαλέσει ερεθισμούς ή εγκαύματα.

Μετά τη χρήση

- Όταν δε χρησιμοποιείται, η συσκευή πρέπει να φυλάσσεται σε στεγνό, καλά αεριζόμενο χώρο, μακριά από παιδιά.
- Τα παιδιά δεν πρέπει να έχουν πρόσβαση σε αποθηκευμένες συσκευές.
- Όταν η συσκευή φυλάσσεται ή μεταφέρεται με ένα όχημα, πρέπει να τοποθετείται στο χώρο αποσκευών ή να στερεώνεται ώστε να μη μετακινείται σε περίπτωση απότομων μεταβολών της ταχύτητας ή της κατεύθυνσης του οχήματος.

Σέρβις

- Το σέρβις της συσκευής σας πρέπει να αναλαμβάνει έμπειρος τεχνικός που θα χρησιμοποιεί μόνο γνήσια ανταλλακτικά. Έτσι εξασφαλίζεται η διατήρηση της ασφάλειας της συσκευής.

Συμπληρωματικές οδηγίες ασφαλείας - μπαταρίες και φορτιστές

Μπαταρίες

- Μην επιχειρήσετε ποτέ να ανοίξετε τις μπαταρίες για οποιοδήποτε λόγο.
- Μην εκθέτετε την μπαταρία σε νερό.
- Μην εκθέτετε την μπαταρία σε θερμότητα.
- Μη φυλάσσετε τις μπαταρίες σε μέρη όπου η θερμοκρασία μπορεί να υπερβεί τους 40°C.
- Η φόρτιση πρέπει να γίνεται μόνο σε θερμοκρασίες περιβάλλοντος μεταξύ 10°C και 40°C.
- Η φόρτιση πρέπει να γίνεται μόνο με το φορτιστή που παρέχεται μαζί με τη συσκευή/εργαλείο. Η χρήση άλλου φορτιστή μπορεί να προκαλέσει ηλεκτροπληξία ή υπερθέρμανση της μπαταρίας.
- Όταν απορρίπτετε τις μπαταρίες, ακολουθήστε τις οδηγίες που δίνονται στην ενότητα "Προστασία του περιβάλλοντος".

- Μην καταστρέψετε/παραμορφώνετε την μπαταρία είτε τρυπώντας ή χτυπώντας την, διότι μπορεί να προκληθεί κίνδυνος τραυματισμού ή πυρκαγιάς.
- Μη φορτίζετε τις κατεστραμμένες μπαταρίες.
- Κάτω από ακραίες συνθήκες, μπορεί να επέλθει διαρροή υγρών μπαταρίας. Αν παρατηρήσετε υγρό πάνω στις μπαταρίες, σκουπίστε το προσεκτικά με ένα πανί. Αποφύγετε την επαφή με το δέρμα.
- Στην περίπτωση επαφής με το δέρμα ή τα μάτια, ακολουθήστε τις παρακάτω οδηγίες.

Προειδοποίηση! Το υγρό της μπαταρίας μπορεί να προκαλέσει τραυματισμό ή υλικές ζημιές. Στην περίπτωση επαφής με το δέρμα, ξεπλύνετε αμέσως με άφθονο νερό. Αν παρουσιαστεί κοκκίνισμα του δέρματος, πόνος ή ερεθισμός, ζητήστε ιατρική βοήθεια. Στην περίπτωση επαφής με τα μάτια, ξεπλύνετε αμέσως με άφθονο καθαρό νερό και ζητήστε ιατρική βοήθεια.

Φορτιστές

Ο φορτιστής σας είναι σχεδιασμένος για μια συγκεκριμένη ηλεκτρική τάση. Ελέγχετε πάντα αν η τάση τροφοδοσίας αντιστοιχεί σε αυτήν που αναγράφεται στην πινακίδα χαρακτηριστικών.

Προειδοποίηση! Ποτέ μην επιχειρείτε να αντικαταστήσετε τη μονάδα φορτιστή με έναν κανονικό ρευματολήπτη.

- Ο φορτιστής Black & Decker πρέπει να χρησιμοποιείται αποκλειστικά και μόνο για τη φόρτιση της μπαταρίας της συσκευής/του εργαλείου που συνοδεύει. Αν χρησιμοποιηθεί για άλλες μπαταρίες, αυτές μπορεί να εκραγούν, προκαλώντας τραυματισμό και ζημιές.
- Μην επιχειρείτε ποτέ να φορτίσετε μη επαναφορτιζόμενες μπαταρίες.
- Αν το καλώδιο ρεύματος έχει υποστεί φθορά, η αντικατάστασή του πρέπει να γίνει από τον κατασκευαστή ή από ένα εξουσιοδοτημένο κέντρο της Black & Decker, ώστε να μην αποτελέσει κίνδυνο.
- Μην εκθέτετε το φορτιστή σε νερό.
- Μην ανοίγετε το φορτιστή.
- Μην επεμβαίνετε στο φορτιστή.
- Κατά τη φόρτιση, η συσκευή/εργαλείο/μπαταρία πρέπει να βρίσκεται σε καλά αεριζόμενο χώρο.

Ασφαλής χρήση ηλεκτρικού ρεύματος



Ο φορτιστής σας φέρει διπλή μόνωση, επομένως δεν απαιτείται σύρμα γείωσης. Ελέγχετε πάντα αν η τάση τροφοδοσίας αντιστοιχεί σε αυτήν που αναγράφεται στην πινακίδα χαρακτηριστικών.

Αν το καλώδιο ρεύματος έχει υποστεί φθορά, η αντικατάστασή του πρέπει να γίνει από τον κατασκευαστή ή από ένα εξουσιοδοτημένο κέντρο της Black & Decker, ώστε να μην αποτελέσει κίνδυνο.

Προειδοποίηση! Ποτέ μην επιχειρείτε να αντικαταστήσετε τη μονάδα φορτιστή με έναν κανονικό ρευματολήπτη.

Ασφάλεια τρίτων

- Αυτή η συσκευή δεν προορίζεται για χρήση από άτομα (στα οποία περιλαμβάνονται και τα παιδιά) με μειωμένες φυσικές, αντιληπτικές ή διανοητικές ικανότητες ή άτομα χωρίς εμπειρία και γνώσεις, παρά μόνο εφόσον επιτηρούνται ή τους έχουν δοθεί οδηγίες σχετικά με τη χρήση της συσκευής από άτομο υπεύθυνο για την ασφάλειά τους.
- Τα παιδιά πρέπει να επιτηρούνται για να διασφαλίζεται ότι δεν παίζουν με τη συσκευή.

Σύμβολα πάνω στη βάση φόρτισης



Η βάση φόρτισης φέρει διπλή μόνωση, επομένως δεν απαιτείται σύρμα γείωσης.



Μονωτικός μετασχηματιστής εξασφαλισμένης λειτουργίας. Η τροφοδοσία δικτύου είναι ηλεκτρικά διαχωρισμένη από την έξοδο του μετασχηματιστή.



Ο φορτιστής απενεργοποιείται αυτόματα όταν η θερμοκρασία περιβάλλοντος ανέβει υπερβολικά με συνέπεια ο φορτιστής να αχρηστεύεται. Η βάση φόρτισης θα πρέπει να αποσυνδεθεί από την πρίζα και να μεταφερθεί σε ένα εξουσιοδοτημένο κέντρο.



Η βάση φόρτισης προορίζεται για χρήση σε εσωτερικούς χώρους μόνο.



Οι επιφάνειες μπορεί να θερμανθούν κατά τη χρήση ή κατά το διάστημα που η συσκευή κρύνει.

Χαρακτηριστικά

1. Κουμπί απελευθέρωσης θυρίδας περιέκτη
2. Θυρίδα περιέκτη
3. Κουμπί ασφάλισης συλλέκτη
4. Διακόπτης on/off δύο ταχυτήτων
5. Τροχός καθαρισμού φίλτρου
6. Ενδεικτική λυχνία φόρτισης
7. Βάση φόρτισης
8. Προέκταση συλλέκτη σκόνης
9. Συλλέκτης σκόνης

Εικ. D

10. Εξάρτημα για χαραμάδες (προαιρετικό, βλέπε συσκευασία)
11. Εξάρτημα βούρτσα (αποθηκευμένο από την κάτω μεριά της συσκευής)

Εγκατάσταση

Τοποθέτηση της βάσης φόρτισης στον τοίχο (εικ. Α)

Η βάση φόρτισης μπορεί να τοποθετηθεί πάνω σε μια επιφάνεια εργασίας ή να εγκατασταθεί πάνω στον τοίχο για εύκολη φύλαξη και φόρτιση της συσκευής.

Όταν τη στερεώνετε στον τοίχο, να βεβαιώνετε ότι η μέθοδος στερέωσης είναι κατάλληλη για τον τύπο τοίχου και το βάρος της συσκευής.

Συναρμολόγηση

Προσαρμογή του συλλέκτη σκόνης (εικ. Β & C)

- Ο συλλέκτης σκόνης (9) αποθηκεύεται κάτω από τη συσκευή. Για να τον προσαρμόσετε πριν τη χρήση, σηκώστε τη συσκευή από τη βάση φόρτισης.
- Πατήστε το κουμπί ασφάλισης του συλλέκτη (3) και περιστρέψτε το συλλέκτη σκόνης στην απαιτούμενη θέση.
- Απελευθερώστε το κουμπί ασφάλισης του συλλέκτη για να τον ασφαλίσετε στη θέση του.
- Ο συλλέκτης σκόνης μπορεί να προεκταθεί τραβώντας την προέκταση του συλλέκτη σκόνης (8) μέχρι να ασφαλίσει.
- Η προέκταση μπορεί να αποσυρθεί πατώντας το κουμπί (13) και στρώνοντας την προέκταση στο εσωτερικό του συλλέκτη σκόνης.
- Μετά από τη χρήση και κατά τη φόρτιση της συσκευής, ο συλλέκτης σκόνης θα πρέπει να είναι τοποθετημένος στη θέση φύλαξης κάτω από τη συσκευή.

Τοποθέτηση των εξαρτημάτων (εικ. D)

Με τα μοντέλα αυτά παρέχονται όλα ή μερικά από τα παρακάτω εξαρτήματα:

- Ένα εξάρτημα για χαραμάδες (10) για περιορισμένους χώρους.
- Μία βούρτσα (11) για έπιπλα και σκάλες.

Για να τοποθετήσετε ένα εξάρτημα, προχωρήστε ως εξής:

- Αφαιρέστε τις μπαταρίες από τη συσκευή.
- Εισαγάγετε το κατάλληλο εξάρτημα στο μπροστινό μέρος της συσκευής.

Χρήση

- Πριν από την πρώτη χρήση, η μπαταρία θα πρέπει να έχει φορτιστεί για 16 ώρες τουλάχιστον.
- Όταν η συσκευή δε χρησιμοποιείται θα πρέπει να τοποθετείται πάνω στη βάση φόρτισης.

Φόρτιση της μπαταρίας (εικ. Ε)

- Βεβαιωθείτε ότι η συσκευή είναι απενεργοποιημένη. Η μπαταρία δε φορτίζεται με το διακόπτη on/off στη θέση on.
- Τοποθετήστε τη συσκευή πάνω στη βάση φόρτισης (7) όπως υποδεικνύεται.
- Βάλτε το φορτιστή στην πρίζα. Ενεργοποιήστε από το δίκτυο.

Η ενδεικτική λυχνία φόρτισης (6) θα ανάψει.

- Αφήστε τη συσκευή να φορτίσει για τουλάχιστον 16 ώρες.

Κατά τη φόρτιση, ο φορτιστής μπορεί να θερμανθεί. Αυτό είναι φυσιολογικό και δεν υποδεικνύει κάποιο πρόβλημα.

Η συσκευή μπορεί να μείνει συνδεδεμένη με το φορτιστή για αόριστο χρονικό διάστημα. Η ενδεικτική λυχνία φόρτισης (6) μένει αναμμένη εφόσον η συσκευή είναι συνδεδεμένη με τον ενσωματωμένο φορτιστή.

Προειδοποίηση! Μη φορτίζετε την μπαταρία σε θερμοκρασίες περιβάλλοντος κάτω από 4 °C ή πάνω από 40 °C.

Ενεργοποίηση και απενεργοποίηση (εικ. F)

- Για να θέσετε τη συσκευή σε λειτουργία, σύρετε το διακόπτη on/off (4) προς τα εμπρός στη θέση 1.
- Για πλήρη ισχύ, μεταποτίστε το διακόπτη on/off (4) προς τα εμπρός στη θέση 2.
- Για να απενεργοποιήσετε τη συσκευή, μεταποτίστε το διακόπτη on/off (4) προς τα πίσω στη θέση 0.

Βελτιστοποίηση της δύναμης αναρρόφησης (εικ. G - I)

Για να κρατήσετε τη βέλτιστη δύναμη αναρρόφησης, καθαρίζετε τα φίλτρα τακτικά κατά τη χρήση.

- Γυρίστε τον τροχό (5) μερικές βόλτες για να διώξετε τη συσσωρευμένη σκόνη (14 & 15).

Καθαρισμός και συντήρηση

Προειδοποίηση! Καθαρίζετε τακτικά τα φίλτρα (14 & 15).

Καθαρισμός του περιέκτη σκόνης και των φίλτρων (εικ. H - J)

Τα φίλτρα είναι επαναχρησιμοποιήσιμα και θα πρέπει να καθαρίζονται τακτικά.

- Πατήστε την ασφάλεια (1) και ανοίξτε τη θυρίδα του περιέκτη (2) (εικ. H).
- Αδειάστε τον περιέκτη σκόνης.
- Αφαιρέστε τα φίλτρα (14 & 15) στριβώντας τα αριστερόστροφα (εικ. I).
- Αφαιρέστε με τη βούρτσα τις τελευταίες σκόνες από τα φίλτρα.
- Πλύνετε τα φίλτρα σε ζεστή σαπουνάδα (εικ. J).
- Βεβαιωθείτε ότι τα φίλτρα είναι στεγνά.

- Επαναποθετήστε τα φίλτρα (14 & 15) στη συσκευή, περιστρέφοντάς τα δεξιόστροφα μέχρι να ασφαλισουν στη θέση τους.
- Κλείστε τη θυρίδα του περιέκτη (2). Βεβαιωθείτε ότι το κουμπί απελευθέρωσης (1) έχει ασφαλίσει στη θέση του.

Προειδοποίηση! Μη χρησιμοποιείτε ποτέ τη συσκευή χωρίς τα φίλτρα. Η βέλτιστη περισυλλογή της σκόνης επιτυγχάνεται μόνο με καθαρά φίλτρα.

Αντικατάσταση των φίλτρων

Τα φίλτρα θα πρέπει να αλλάζονται κάθε 6 με 9 μήνες και όταν έχουν φθαρεί ή καταστραφεί. Ανταλλακτικά φίλτρα διατίθενται από τα εμπορικά σημεία πώλησης προϊόντων Black & Decker (Αρ. κατ. VF50):

- Αφαιρέστε τα παλιά φίλτρα όπως περιγράφεται παραπάνω.
- Τοποθετήστε τα καινούρια φίλτρα όπως περιγράφεται παραπάνω.

Συντήρηση

Αυτή η συσκευή/εργαλείο με καλώδιο/χωρίς καλώδιο της Black & Decker έχει σχεδιαστεί έτσι ώστε να λειτουργεί για μεγάλο χρονικό διάστημα με την ελάχιστη δυνατή συντήρηση. Η αδιάλειπτη και ικανοποιητική λειτουργία της συσκευής εξαρτάται από τη φροντίδα και τον τακτικό καθαρισμό της.

Προειδοποίηση! Πριν πραγματοποιήσετε οποιαδήποτε συντήρηση σε ηλεκτρικά εργαλεία με καλώδιο/χωρίς καλώδιο:

- Απενεργοποιήστε και αποσυνδέστε τη συσκευή/εργαλείο από την πρίζα.
- Ή απενεργοποιήστε και αφαιρέστε την μπαταρία από τη συσκευή/εργαλείο εάν η συσκευή/εργαλείο διαθέτει ξεχωριστή μπαταρία.
- Ή χρησιμοποιήστε την μπαταρία μέχρι να αδειάσει εντελώς και στη συνέχεια απενεργοποιήστε.
- Πριν καθαρίσετε το φορτιστή, αποσυνδέστε τον από την πρίζα. Ο φορτιστής σας δεν απαιτεί κάποια συντήρηση εκτός του τακτικού καθαρισμού.

Να καθαρίζετε τακτικά τις εγχοπές εξαιρισμού της συσκευής/εργαλείου/φορτιστή με μια μαλακή βούρτσα ή με ένα στεγνό πανί.

Να καθαρίζετε τακτικά το περίβλημα του μοτέρ με ένα καθαρό και υγρό πανί. Μη χρησιμοποιείτε λειαντικά ή υγρά καθαρισμού που περιέχουν διαλυτικά.

Να ανοίγετε τακτικά το τσοκ και να το χτυπάτε ελαφρά για να αφαιρείται η σκόνη από το εσωτερικό του (Εφόσον εφαρμόζεται).

Προστασία του περιβάλλοντος



Ξεχωριστή περισυλλογή. Αυτό το προϊόν δεν πρέπει να απορρίπτεται μαζί με τα κοινά οικιακά απορρίμματα.

Εάν κάποια μέρα διαπιστώσετε ότι το προϊόν σας Black & Decker χρειάζεται αντικατάσταση ή ότι δεν το χρειάζεστε άλλο, μην το απορρίψετε μαζί με τα κοινά οικιακά απορρίμματα αλλά κάντε αυτό το προϊόν διαθέσιμο για ξεχωριστή περισυλλογή.



Η ξεχωριστή περισυλλογή των μεταχειρισμένων προϊόντων και των υλικών συσκευασίας επιτρέπει την ανακύκλωση και επαναχρησιμοποίηση των υλικών. Με την επαναχρησιμοποίηση των ανακυκλωμένων υλικών αποτρέπεται η μόλυνση του περιβάλλοντος και μειώνεται η ζήτηση πρώτων υλών.

Οι κανονισμοί που ισχύουν στην περιοχή σας ενδέχεται να προβλέπουν την ξεχωριστή περισυλλογή των ηλεκτρικών συσκευών που προέρχονται από νοικοκυριά σε δημοτικές εγκαταστάσεις ή από τον έμπορο όταν αγοράσετε ένα καινούργιο προϊόν.

Η Black & Decker δίνει τη δυνατότητα ανακύκλωσης των προϊόντων της που έχουν συμπληρώσει τη διάρκεια ζωής τους. Για να χρησιμοποιήσετε αυτήν την υπηρεσία, επιστρέψτε το προϊόν σας σε οποιοδήποτε εξουσιοδοτημένο κέντρο επισκευών, όπου θα το παραλάβουν εκ μέρους μας.

Ενημερωθείτε για το πλησιέστερο εξουσιοδοτημένο κέντρο επισκευών της περιοχής σας, επικοινωνώντας με τα γραφεία της Black & Decker στη διεύθυνση που αναγράφεται στο εγχειρίδιο. Επίσης, μια λίστα με τα εξουσιοδοτημένα κέντρα επισκευών της Black & Decker και πλήρεις λεπτομέρειες για τις υπηρεσίες που παρέχονται μετά την πώληση καθώς και στοιχεία επικοινωνίας υπάρχουν στο Διαδίκτυο, στη διεύθυνση:

www.2helpU.com.

Τεχνικά χαρακτηριστικά

	PV9605 - H1	PV1205 - H1
	PV9605N - H1	PV1205B - H1
		PV1205N - H1
		PV1205BN - H1
Τάση	Vdc 9,6	12,0
Βάρος	kg 1,5	1,6

	PV1405 - H1	PV1805 - H1
	PV1405N - H1	PV1805N - H1
		PV1805CN - H1
Τάση	Vdc 14,4	18,0
Βάρος	kg 1,7	1,9

Φορτιστής

Τάση εισόδου	Vac 230
Χρόνος φόρτισης κατά προσέγγιση	h 16
Βάρος	kg 0,5

Πληροφορίες σχετικά με τη Σχεδίαση και το Δίπλωμα Ευρεσιτεχνίας

Αριθμός ευρωπαϊκού διπλώματος ευρεσιτεχνίας
EP 05255024.1

Αριθμοί κατάθεσης σχεδίων Ευρωπαϊκής Κοινότητας:
423322-0001, 423322-0002 και 423322-0003

Εγγύηση

Η Black & Decker είναι σίγουρη για την ποιότητα των προϊόντων της και παρέχει μια εξαιρετική εγγύηση. Η παρούσα γραπτή εγγύηση αποτελεί πρόσθετο δικαίωμά σας και δεν ζημιώνει τα νόμιμα δικαιώματά σας. Η εγγύηση ισχύει εντός της επικράτειας των Κρατών Μελών της Ευρωπαϊκής Ένωσης και της Ευρωπαϊκής Ζώνης Ελευθέρων Συναλλαγών.

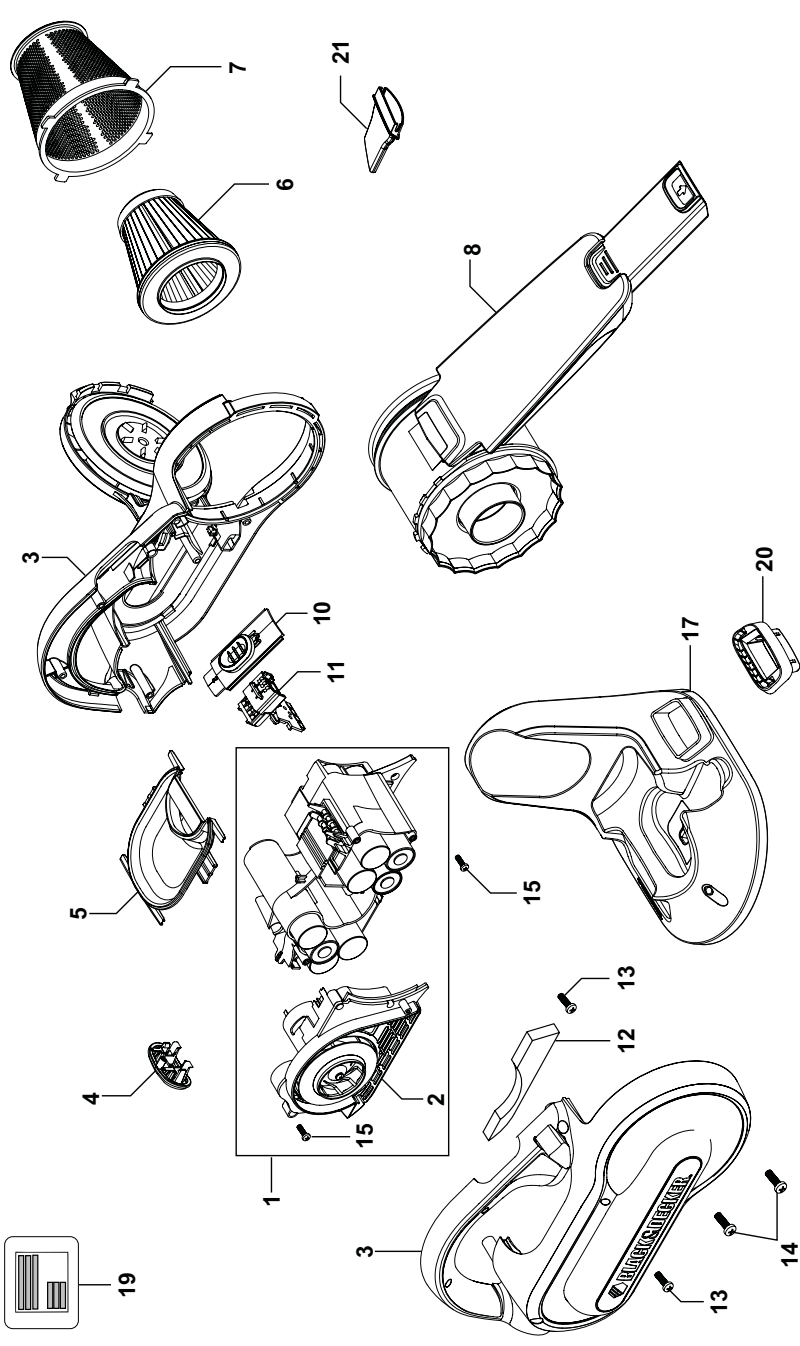
Σε περίπτωση που κάποιο προϊόν της Black & Decker παρουσιάσει βλάβη εξαιτίας ελαττωματικών υλικών, ποιότητας εργασίας ή έλλειψης συμφωνίας με τις προδιαγραφές εντός 24 μηνών από την ημερομηνία αγοράς, η Black & Decker εγγυάται την αντικατάσταση των ελαττωματικών τμημάτων, την επισκευή προϊόντων που έχουν υποστεί εύλογη φθορά λόγω χρήσης ή την αντικατάσταση των προϊόντων προκειμένου να εξασφαλίσει την ελάχιστη ενόχληση στους πελάτες της, εκτός εάν:

- Το προϊόν έχει χρησιμοποιηθεί σε εργασιακό, επαγγελματικό περιβάλλον ή έχει εννοικιαστεί.
- Έχει γίνει εσφαλμένη χρήση του προϊόντος ή έχει παραμεληθεί.

- Το προϊόν έχει υποστεί βλάβη από άλλα αντικείμενα, από ουσίες ή λόγω ατυχήματος.
- Έχει γίνει προσπάθεια επισκευής από μη εξουσιοδοτημένα κέντρα επισκευών ή από προσωπικό που δεν ανήκει στο προσωπικό της Black & Decker.

Για να ισχύσει η εγγύηση, πρέπει να υποβάλετε απόδειξη αγοράς στον πωλητή ή το εξουσιοδοτημένο κέντρο επισκευών. Ενημερωθείτε για το πλησιέστερο εξουσιοδοτημένο κέντρο επισκευών της περιοχής σας, επικοινωνώντας με τα γραφεία της Black & Decker στη διεύθυνση που αναγράφεται στο εγχειρίδιο. Επίσης, μια λίστα με τα εξουσιοδοτημένα κέντρα επισκευών της Black & Decker και πλήρεις λεπτομέρειες για τις υπηρεσίες που παρέχονται μετά την πώληση καθώς και στοιχεία επικοινωνίας υπάρχουν στο Διαδίκτυο, στη διεύθυνση: www.2helpU.com.

Παρακαλούμε επισκεφθείτε την ιστοσελίδα μας www.blackanddecker.eu για να καταχωρήσετε το νέο σας προϊόν Black & Decker και για να ενημερωέστε για τα νέα προϊόντα και τις ειδικές προσφορές. Περισσότερες πληροφορίες σχετικά με τη μάρκα Black & Decker και τη σειρά των προϊόντων μας θα βρείτε στη διεύθυνση www.blackanddecker.eu.



ENGLISH

Do not forget to register your product!
www.blackanddecker.co.uk/productregistration

Register your product online at **www.blackanddecker.co.uk/productregistration** or send your name, surname and product code to Black & Decker in your country.

DEUTSCH

Vergessen Sie nicht, Ihr Produkt registrieren zu lassen!
www.blackanddecker.de/productregistration

Lassen Sie Ihr Produkt unter **www.blackanddecker.de/productregistration** online registrieren oder schicken Sie Ihren Nachnamen, Vornamen und den Produktcode an Black & Decker in Ihrem Land.

FRANÇAIS

N'oubliez pas d'enregistrer votre produit !
www.blackanddecker.fr/productregistration

Enregistrez votre produit en ligne sur **www.blackanddecker.fr/productregistration** ou envoyez vos nom, prénom et code produit à Black & Decker dans votre pays.

ITALIANO

Non dimenticate di registrare il prodotto!
www.blackanddecker.it/productregistration

Registrate il prodotto online su **www.blackanddecker.it/productregistration** o inviate nome, cognome e codice del prodotto al centro Black & Decker del vostro paese.

NEDERLANDS

Vergeet niet uw product te registreren!
www.blackanddecker.nl/productregistration

U kunt uw product online registreren op **www.blackanddecker.nl/productregistration** of u kunt uw voornaam, achternaam en productcode opsturen naar Black & Decker in uw land.

ESPAÑOL

¡No olvide registrar su producto!
www.blackanddecker.es/productregistration

Registre su producto on-line en **www.blackanddecker.es/productregistration** o envíe su nombre, apellidos y código de producto a Black & Decker en su país.

PORTUGUÊS

Não se esqueça de registrar o seu produto!
www.blackanddecker.pt/productregistration

Registe o seu produto online em **www.blackanddecker.pt/productregistration** ou envie o seu nome, apelido e código do produto para a Black & Decker no seu país.

SVENSKA

Glöm inte att registrera produkten!
www.blackanddecker.se/productregistration

Registrera produkten online på **www.blackanddecker.se/productregistration** eller skicka namn och produktkod till Black & Decker i landet du bor i.

NORSK

Ikke glem å registrere produktet ditt!
www.blackanddecker.no/productregistration

Registrer produktet ditt online på **www.blackanddecker.no/productregistration**, eller send ditt navn, etternavn og produktkode til Black & Decker i ditt eget land.

DANSK

Glem ikke at registrere dit produkt!
www.blackanddecker.dk/productregistration

Registrer dit produkt på internettet på: **www.blackanddecker.dk/productregistration** eller send dit navn, efternavn og produktkode til Black & Decker i dit eget land.

SUOMI

Muistathan rekisteröidä tuotteesi!
www.blackanddecker.fi/productregistration

Rekisteröi tuotteesi verkossa osoitteessa **www.blackanddecker.fi/productregistration** tai lähetä etunimesi, sukunimesi ja tuotekoodi oman maasi Black & Decker -edustajalle.

ΕΛΛΗΝΙΚΑ

Μην ξεχάσετε να καταχωρίσετε το προϊόν σας!
www.blackanddecker.gr/productregistration

Καταχωρίστε το προϊόν σας σε σύνδεση στη σελίδα **www.blackanddecker.gr/productregistration** ή στείλτε το όνομα, επίθετο σας και τον κωδικό πριονωτός στη Black & Decker στη χώρα σας.

België/Belgique	Black & Decker (Belgium) N.V. Nieuwlandlaan 321 3200 Aarschot	Tel. Fax	016 68 91 00 016 68 91 11
Danmark	Black & Decker Sluseholmen 2-4, 2450 København SV Internet: www.blackanddecker.dk	Tel. Fax	70 20 15 10 70 22 49 10
Deutschland	Black & Decker GmbH Black & Decker Str. 40, D - 65510 Idstein	Tel. Fax	06126/21 - 0 06126/21 29 80
Ελλάδα	Black & Decker (Ελλάς) A.E. Στράβωνος 7 & Λεωφ. Βουλιαγμένης 159 166 74 Γλυφάδα - Αθήνα	Τηλ. Φαξ www.blackanddecker.eu	210 8981616 210 8983285
España	Black & Decker Ibérica, S.C.A. Parc de Negocis "Mas Blau" Edificio Muntadas, c/Bergadá, 1, Of. A6 08820 El Prat de Llobregat (Barcelona)	Tel. Fax	934 797 400 934 797 419
France	Black & Decker (France) S.A.S. B.P. 21, 69571 Dardilly Cédex	Tel. Fax	04 72 20 39 20 04 72 20 39 00
Helvetia	ROFO AG Gewerbezone Seeblick 3213 Kleinbösingen	Tel. Fax	026-6749391 026-6749394
Italia	Black & Decker Italia SpA Viale Elvezia 2 20052 Monza (MI)	Tel. Fax Numero verde	039-23871 039-2387592/2387594 800-213935
Nederland	Black & Decker Benelux Joulehof 12, 4622 RG Bergen op Zoom	Tel. Fax	0164 - 283000 0164 - 283100
Norge	Black & Decker (Norge) A/S Postboks 4814, Nydalen, 0422 Oslo Internet: www.blackanddecker.no	Tlf. Fax	22 90 99 00 22 90 99 01
Österreich	Black & Decker Vertriebsges.m.b.H Oberlaaerstraße 246, A1100 Wien	Tel. Fax	01 66116-0 01 66116-14
Portugal	Black & Decker Rua Egas Moniz 173 S. João do Estoril 2766-651 Estoril	Tel. Fax	214667500 214667580
Suomi	Black & Decker Oy Keilasatama 3, 02150 Espoo Black & Decker Oy, Kägelhamnen 3, 02150 Esbo	Puh. Faksi Tel. Fax	010 400 430 (09) 2510 7100 010 400 430 (09) 2510 7100
Sverige	Black & Decker AB Fabriksg. 7, 412 50 Göteborg	Tel. Fax	031-68 60 60 031-68 60 80
United Kingdom	Black & Decker 210 Bath Road Slough, Berkshire SL1 3YD	Tel. Fax Helpline	01753 511234 01753 551155 01753 574277
Middle East & Africa	Black & Decker (Overseas) A.G. PB 5420, Dubai, United Arab Emirates	Tel. Fax	+971 4 2826464 +971 4 2826466