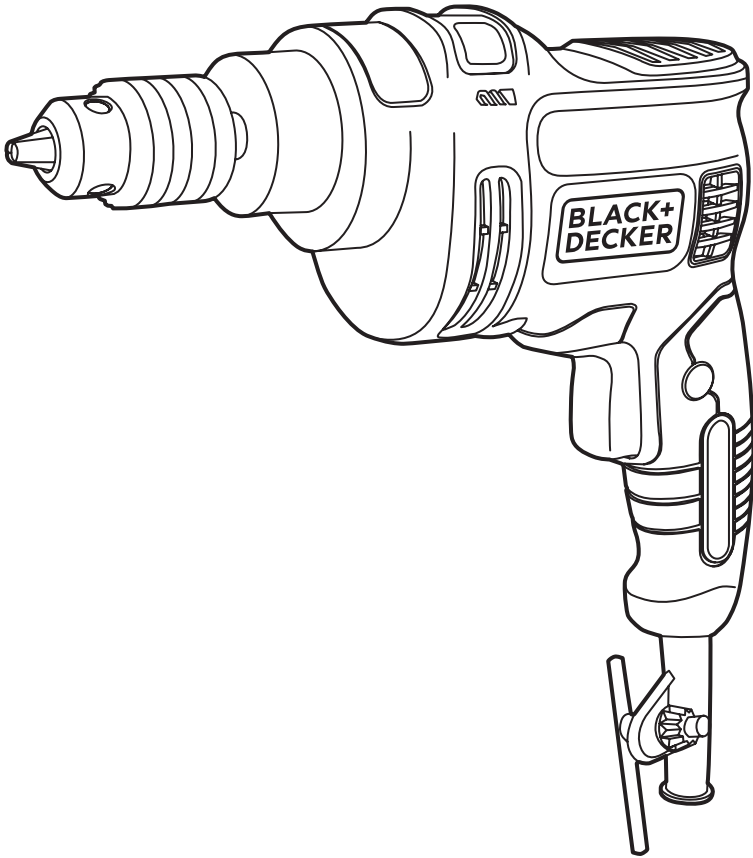




www.blackanddecker.com



TP550
TP555

English	3
Bahasa Indonesia	7
ไทย	12

FIG. A

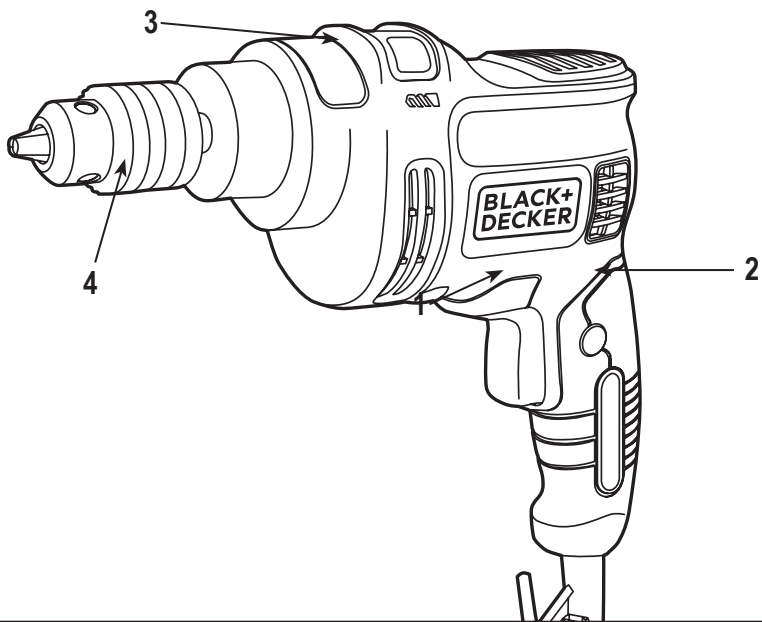


FIG. B

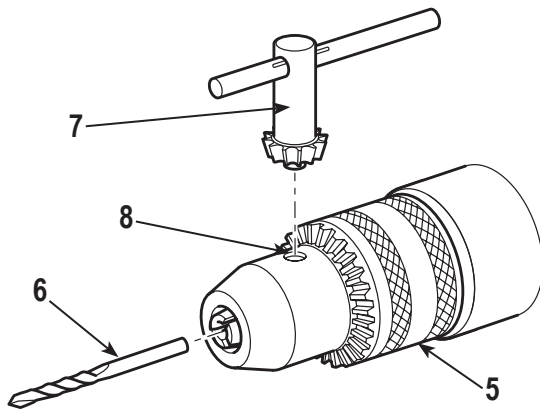
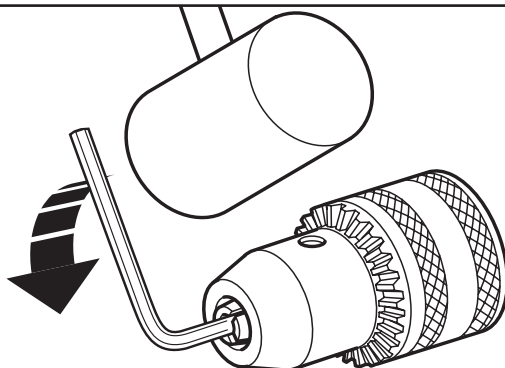


FIG. C



TP550/TP555 IMPACT DRILL

TECHNICAL DATA

SPECIFICATIONS	TP550
Power	550W
Voltage	220-240V~ 50/60Hz
Chuck	3/8" (10mm)
No-load speed	2900/min (rpm)
IPM - Blows per minute	0 - 47600 ipm (gpm)
Max drilling capacity	
Steel/concrete	3/8" (10mm)
Wood	25/32" (20mm)
Weight	1,3kg (2,9lb)

SPECIFICATIONS	TP555
Power	550W
Voltage	220-240V~ 50/60Hz
Chuck	3/8" (10mm)
No-load speed	0 - 2900/min (rpm)
IPM - Blows per minute	0 - 47600 ipm (gpm)
Max drilling capacity	
Steel/concrete	3/8" (10mm)
Wood	25/32" (20mm)
Weight	1,3kg (2,9lb)

GENERAL SAFETY RULES

△ **Warning!** Read and understand all instructions. Failure to follow all instructions listed below, may result in electric shock, fire and/or serious personal injury.

SAVE THESE INSTRUCTIONS



SAFETY INSTRUCTIONS

General power tool safety warnings.

Warning! Read all safety warnings and all instructions. Failure to follow the warnings and instructions listed below may result in electric shock, fire and/or serious injury.

Save all warnings and instructions for future reference.

The term "power tool" in all of the warnings listed below refers to your mains operated (corded) power tool or battery operated (cordless) power tool.

1. Work Area Safety

- Keep work area clean and well lit.** Cluttered and dark areas invite accidents.
- Do not operate power tools in explosive atmospheres, such as in the presence of flammable liquids,**

gases or dust. Power tools create sparks which may ignite the dust or fumes.

- Keep children and bystanders away while operating a power tool.** Distractions can cause you to lose control.
- Electrical Safety**
 - Power tool plugs must match the outlet. Never modify the plug in any way. Do not use any adapter plugs with earthed (grounded) power tools.** Unmodified plugs and matching outlets will reduce risk of electric shock.
 - Avoid body contact with earthed or grounded surfaces such as pipes, radiators, ranges and refrigerators.** There is an increased risk of electric shock if your body is earthed or grounded.
 - Do not expose power tools to rain or wet conditions.** Water entering a power tool will increase the risk of electric shock.
 - Do not abuse the cord. Never use the cord for carrying, pulling or unplugging the power tool. Keep cord away from heat, oil, sharp edges or moving parts.** Damaged or entangled cords increase the risk of electric shock.
 - When operating a power tool outdoors, use an extension cord suitable for outdoor use.** Use of a cord suitable for outdoor use reduces the risk of electric shock.
 - If operating a power tool in a damp location is unavoidable, use a residual current device (RCD) protected supply.** Use of an RCD reduces the risk of electric shock.

3. Personal Safety

- Stay alert, watch what you are doing and use common sense when operating a power tool. Do not use a power tool while you are tired or under the influence of drugs, alcohol or medication.** A moment of inattention while operating power tools may result in serious personal injury.
- Use personal protective equipment. Always wear eye protection.** Protective equipment such as dust mask, non-skid safety shoes, hard hat, or hearing protection used for appropriate conditions will reduce personal injuries.
- Prevent unintentional starting. Ensure the switch is in the off-position before connecting to power source and/or battery pack, picking up or carrying the tool.** Carrying power tools with your finger on the switch or energising power tools that have the switch on invites accidents.
- Remove any adjusting key or wrench before turning the power tool on.** A wrench or a key left attached to a rotating part of the power tool may result in personal injury.

4 • ENGLISH

- e. **Do not overreach. Keep proper footing and balance at all times.** This enables better control of the power tool in unexpected situations.
- f. **Dress properly. Do not wear loose clothing or jewellery. Keep your hair, clothing and gloves away from moving parts.** Loose clothes, jewellery or long hair can be caught in moving parts.
- g. **If devices are provided for the connection of dust extraction and collection facilities, ensure these are connected and properly used.** Use of these devices can reduce dust related hazards.
- h. **Do not let familiarity gained from frequent use of tools allow you to become complacent and ignore tool safety principles.** A careless action can cause severe injury within a fraction of a second.

4. Power Tool Use and Care

- a. **Do not force the power tool. Use the correct power tool for your application.** The correct power tool will do the job better and safer at the rate for which it was designed.
- b. **Do not use the power tool if the switch does not turn it on and off.** Any power tool that cannot be controlled with the switch is dangerous and must be repaired.
- c. **Disconnect the plug from the power source and/or the battery pack from the power tool before making** any adjustments, changing accessories, or storing power tools. Such preventive safety measures reduce the risk of starting the power tool accidentally.
- d. **Store idle power tools out of the reach of children and do not allow persons unfamiliar with the power tool or these instructions to operate the power tool.** Power tools are dangerous in the hands of untrained users.
- e. **Maintain power tools. Check for misalignment or binding of moving parts, breakage of parts and any other condition that may affect the power tools operation. If damaged, have the power tool repaired before use.** Many accidents are caused by poorly maintained power tools.
- f. **Keep cutting tools sharp and clean.** Properly maintained cutting tools with sharp cutting edges are less likely to bind and are easier to control.
- g. **Use the power tool, accessories and tool bits etc. in accordance with these instructions, taking into account the working conditions and the work to be performed.** Use of the power tool for operations different from those intended could result in a hazardous situation.
- h. **Keep handles and grasping surfaces dry, clean and free from oil and grease.** Slippery handles and grasping surfaces do not allow for safe handling and control of the tool in unexpected situations.

5. Service

- a. **Have your power tool serviced by a qualified repair person using only identical replacement parts.** This will ensure that the safety of the power tool is maintained.

6. Electrical safety



Your tool is double insulated; therefore no earth wire is required. Always check that the main voltage corresponds to the voltage on the rating plate.



Warning! If the power cord is damaged, it must be replaced by the manufacturer, authorized BLACK+DECKER Service Center or an equally qualified person in order to avoid damage or injury. If the power cord is replaced by an equally qualified person, but not authorized by BLACK+DECKER, the warranty will not be valid.

7. Labels on tool

The label on your tool may include the following symbols:



Read Instructions Manual

Hz

Hertz



Class II Construction



Use Eye Protection

W

Watts



Earthing Terminal



Use Ear Protection

min

minutes



Alternating Current



Safety Alert Symbol

.....

Direct Current

.../min..

Revolutions or Reciprocation per minute

V

Volts

n₀

No-Load Speed

A

Amperes

FEATURES (Fig. A)

1. On/Off switch
2. Lock-on button
3. Drilling mode selector
4. Chuck

ADDITIONAL SAFETY INSTRUCTIONS FOR IMPACT DRILL

- ▶ **Wear ear protectors with impact drills.** Exposure to noise can cause hearing loss.
- ▶ **Use auxiliary handle(s), if supplied with the tool.** Loss of control can cause personal injury.
- ▶ **Hold power tool by insulated gripping surfaces, when performing an operation where the cutting accessory may contact hidden wiring or its own cord.** Cutting accessory Contacting a "live" wire may make exposed metal parts of the power tool "live" and could give the operator an electric shock.
- ▶ **Use clamps or another practical way to secure and support the workpiece to a stable platform.** Holding the work by hand or against your body leaves it unstable and may lead to loss of control.
- ▶ Before drilling into walls, floors or ceilings check for

the location of wiring and pipes.

- ▶ Avoid touching the tip of a drill bit just after drilling, as it may be hot.

Safety instructions when using long drill bits

- Never operate at higher speed than the maximum speed rating of the drill bit.** At higher speeds, the bit is likely to bend if allowed to rotate freely without contacting the workpiece, resulting in personal injury.
- Always start drilling at low speed and with the bit tip in contact with the workpiece.** At higher speeds, the bit is likely to bend if allowed to rotate freely without contacting the workpiece, resulting in personal injury.
- Apply pressure only in direct line with the bit and do not apply excessive pressure.** Bits can bend causing breakage or loss of control, resulting in personal injury.

ASSEMBLY

⚠ **Warning!** Before assembly, make sure that the tool is switched off and unplugged.

Fitting a drill bit or screwdriver bit keyed chuck (Fig. B)

- ▶ Open the chuck by turning the sleeve (5) counterclockwise.
- ▶ Insert the bit shaft (6) into the chuck.
- ▶ Insert the chuck key (7) into each hole (8) in the side of the chuck and turn clockwise until tight.

Removing and refitting the chuck (Fig. C)

- ▶ Open the chuck as far as possible.
- ▶ Remove the chuck retaining screw, located in the chuck, by turning it clockwise using a screwdriver.
- ▶ Tighten an Allen key into the chuck and strike it with a hammer as shown.
- ▶ Remove the Allen key.
- ▶ Remove the chuck by turning it counterclockwise.
- ▶ To refit the chuck, screw it onto the spindle and secure it with the chuck retaining screw.

USE

⚠ **Warning!** Let the tool work at its own pace. Do not overload.

⚠ **Warning!** Before drilling into walls, floors or ceilings, check for the location of wiring and pipes.

Selecting the direction of rotation (Applicable for TP555)

For drilling and for tightening screws, use forward (clockwise) rotation. For loosening screws or removing a jammed drill bit, use reverse (counterclockwise) rotation.

- ▶ To select forward rotation, push the Forward/Reverse slider to the centre position.
- ▶ To select reverse rotation, push the Forward/Reverse slider to the left.

⚠ **Warning!** Never change the direction of rotation while

the motor is running.

Selecting the drilling mode

- ▶ For drilling in masonry, set the drilling mode selector (4) to the **T** position.
- ▶ For drilling in other materials and for screwdriving, set the drilling mode selector to the **2** position.

Switching on and off

- ▶ To switch the tool on, press switch (1). For variable speed units, the tool's speed depends on how far you press the switch. As a general rule for variable speed units, use low speeds for large diameter drill bits and high speeds for smaller diameter drill bits.
- ▶ For continuous operation, press the lock-on button (2) and release the variable speed switch. This option is available only at full speed. This option does not work in reverse rotation.
- ▶ To switch the tool off, release the switch. To switch the tool off when in continuous operation, press the variable speed switch once more and release it.

MAINTENANCE

Your tool has been designed to operate over a long period of time with a minimum of maintenance. Continuous satisfactory operation depends upon proper tool care and regular cleaning.

⚠ **Warning!** Before performing any maintenance, switch off and unplug the tool.

- ▶ Regularly clean the ventilation slots in your tool using a soft brush or dry cloth.
- ▶ Regularly clean the motor housing using a damp cloth. Do not use any abrasive or solvent-based cleaner.

⚠ **Important!** To assure product **SAFETY** and **RELIABILITY**, repairs, maintenance and adjustment (other than those listed in this manual) should be performed by authorized service centers or other qualified service personnel, always using identical replacement parts.

ACCESSORIES

The performance of your tool depends on the accessory used. BLACK+DECKER accessories are engineered to high quality standards and designed to enhance the performance of your tool. By using these accessories you will get the very best from your tool.

PROTECTING THE ENVIRONMENT



Separate collection. This product must not be disposed of with normal household waste.

Should you find one day that your BLACK+DECKER product needs replacement, or if it is of no further use to you, do not dispose of it with household waste. Make this product available for separate collection.



Separate collection of used products and packaging allows materials to be recycled and used again.

Re-use of recycled materials helps prevent environmental pollution and reduces the demand for raw materials. Local regulations may provide for separate collection of electrical products from the household, at municipal waste sites or by the retailer when you purchase a new product.

SERVICE INFORMATION

BLACK+DECKER offers a full network of company-owned and authorized service locations throughout Asia. All BLACK+DECKER Service Centers are staffed with trained personnel to provide customers with efficient and reliable power tool service. Whether you need technical advice, repair, or genuine factory replacement parts, contact the BLACK+DECKER location nearest to you.

NOTES

- ▶ BLACK+DECKER's policy is one of continuous improvement to our products and, as such, we reserve the right to change product specifications without prior notice.
- ▶ Standard equipment and accessories may vary by country.
- ▶ Product specifications may differ by country.
- ▶ Complete product range may not be available in all countries.
- ▶ Contact your local BLACK+DECKER dealers for range availability.

TP550/TP555 BOR PALU

DATA TEKNIS

SPESIFIKASI	TP550
Daya	550W
Voltase	220-240V~ 50/60Hz
Gagang gerak	3/8" (10mm)
Kecepatan tanpa beban	2900/mnt (rpm)
IPM - Peniupan per menit	0 - 47600 ipm (gpm)
Kapasitas bor maksimum	
Baja/beton	3/8" (10mm)
Kayu	25/32" (20mm)
Berat	1,3 kg (2,9 lb)

SPESIFIKASI	TP555
Daya	550W
Voltase	220-240V~ 50/60Hz
Gagang gerak	3/8" (10mm)
Kecepatan tanpa beban	0 - 2900/mnt (rpm)
IPM - Peniupan per menit	0 - 47600 ipm (gpm)
Kapasitas bor maksimum	
Baja/beton	3/8" (10mm)
Kayu	25/32" (20mm)
Berat	1,3 kg (2,9 lb)

ATURAN KESELAMATAN UMUM

⚠ **Peringatan!** Baca dan pahami seluruh petunjuk. Kegagalan mengikuti seluruh instruksi yang tercantum di bawah ini dapat mengakibatkan sengatan listrik, kebakaran, dan/atau cedera berat.

SIMPAN PETUNJUK-PETUNJUK INI



PETUNJUK KESELAMATAN Peringatan keselamatan alat listrik umum. Peringatan! Baca

seluruh peringatan keselamatan dan seluruh petunjuk. Kegagalan dalam mengikuti semua peringatan dan petunjuk yang tercantum di bawah ini dapat mengakibatkan sengatan listrik, kebakaran, dan/atau cedera serius.

Simpan semua peringatan dan petunjuk untuk referensi di masa mendatang. Istilah "alat listrik" dalam semua peringatan yang tercantum di bawah mengacu pada alat listrik yang dioperasikan menggunakan listrik (berkabel) atau alat listrik yang dioperasikan menggunakan baterai (nirkabel).

- Keselamatan Area Kerja**
 - Jaga agar area kerja tetap bersih dan terang.** Area yang gelap dan berantakan menyebabkan kecelakaan.
 - Jangan jalankan alat listrik di lingkungan yang mudah menimbulkan bahaya ledakan, seperti di tempat yang terdapat cairan, gas, atau debu yang mudah terbakar.** Alat listrik memercikkan bunga api yang dapat membakar debu atau asap.
 - Jauhkan anak-anak dan orang yang berada di sekitar, sewaktu mengoperasikan alat listrik.** Gangguan dapat mengakibatkan Anda kehilangan kendali.
- Keselamatan Kelistrikan**
 - Steker perkakas listrik harus sesuai dengan soketnya. Jangan sekali-kali memodifikasi steker dengan cara apa pun. Jangan gunakan steker adaptor apa pun dengan alat listrik yang dibumikan.** Steker dan stopkontak yang tidak dimodifikasi dapat mengurangi risiko sengatan listrik.
 - Hindari kontak tubuh dengan permukaan yang dibumikan atau diarde, misalnya pipa, radiator, kompor listrik, dan kulkas.** Risiko sengatan listrik dapat bertambah jika tubuh Anda mengenai permukaan yang dibumikan (grounded).
 - Jangan sampai alat listrik ini terkena hujan atau terpapar ke kondisi yang basah. Air yang masuk ke alat listrik akan meningkatkan risiko sengatan listrik.**
 - Jangan menyalahgunakan kabel. Jangan pernah menggunakan kabel untuk membawa, menarik, atau mencabut alat listrik. Jauhkan kabel dari panas, minyak, tepi tajam, atau komponen yang bergerak.** Kabel yang rusak atau terbelit akan meningkatkan risiko sengatan listrik.
 - Bila mengoperasikan alat listrik di luar ruangan, gunakan kabel ekstensi yang sesuai untuk penggunaan di luar ruangan.** Menggunakan kabel yang sesuai untuk penggunaan di luar ruangan akan mengurangi risiko sengatan listrik.
 - Jika penggunaan alat listrik di lokasi yang lembap tidak dapat dihindari, gunakan arus yang terlindungi oleh peranti arus residual (RCD).** Penggunaan RCD akan mengurangi risiko sengatan listrik.

8 • Bahasa Indonesia

3. Keselamatan Diri

a. **Tetap waspada, perhatikan apa yang Anda kerjakan dan gunakan akal sehat ketika mengoperasikan alat listrik. Jangan gunakan alat listrik ketika Anda lelah atau berada dalam pengaruh obat-obatan, alkohol, atau pengobatan.** A sesaat saja ketika mengoperasikan alat listrik dapat menyebabkan cedera diri yang parah.

b. **Gunakan peralatan pelindung diri. Gunakan selalu pelindung mata.**

Peralatan peindung, seperti masker debu, sepatu keselamatan anti-selip, topi keras, atau pelindung telinga yang digunakan untuk kondisi yang sesuai akan menghindarkan cedera diri.

c. **Hindari menyalakan alat tanpa disengaja. Pastikan sakelar dalam posisi mati sebelum menghubungkannya ke sumber listrik dan/atau baterai, saat mengambil, atau membawa alat.**

Menjinjing alat listrik dengan jari Anda pada sakelar atau menghidupkan alat listrik yang sakelarnya masih menyala akan mengakibatkan kecelakaan.

d. **Lepaskan segala jenis kunci penyesuaian atau kunci pas sebelum menyalakan alat listrik.** Kunci pas atau kunci yang dibiarkan terpasang pada komponen alat listrik yang berputar dapat menyebabkan cedera diri.

e. **Jangan melampaui batas pijakan. Selalu jaga pijakan dan keseimbangan dengan baik.** Hal ini memungkinkan Anda untuk mengendalikan alat listrik dengan lebih baik dalam situasi yang tidak terduga.

f. **Kenakan pakaian yang sesuai. Jangan kenakan pakaian longgar atau perhiasan. Jauhkan rambut, pakaian, dan sarung tangan dari komponen yang bergerak.** Pakaian yang longgar, perhiasan, atau rambut panjang dapat terperangkap dalam komponen yang bergerak.

g. **Jika disediakan perangkat untuk sambilan fasilitas pengeluan dan pengumpulan debu, pastikan perangkat ini dihubungkan dan digunakan dengan sesuai.** Menggunakan perangkat ini dapat mengurangi bahaya yang

h. **Meskipun sudah sering menggunakan alat, jangan sampai lengah dan mengabaikan prinsip keselamatan alat.** Tindakan ceroboh dapat menyebabkan cedera parah dalam hitungan sepersekian detik.

4. Penggunaan Dan Perawatan Perkakas Listrik

a. **Jangan menggunakan perkakas listrik dengan paksa. Gunakan alat listrik yang sesuai untuk aplikasi Anda.** Alat listrik yang tepat akan bekerja lebih baik dan aman pada tingkat kelajuan yang telah dirancang untuk alat itu.

b. **Jangan gunakan alat listrik ini jika sakelar tidak dapat menghidupkan dan mematikan alat.** Alat listrik apa pun yang tidak dapat dikendalikan dengan sakelar adalah berbahaya dan harus diperbaiki.

c. **Lepaskan stopkontak dari sumber listrik dan/atau baterai dari alat listrik sebelum melakukan penyetelan apa pun, mengganti aksesoris, atau menyimpan alat listrik.** Tindakan pencegahan untuk keselamatan seperti itu akan mengurangi risiko menyalakan alat listrik secara tidak disengaja.

d. **Simpan alat listrik yang tidak digunakan jauh dari jangkauan anak-anak dan jangan biarkan orang yang tidak memahami alat listrik atau petunjuk ini untuk mengoperasikan alat listrik tersebut.** Alat listrik bisa berbahaya bila digunakan oleh pengguna yang tidak terlatih.

e. **Rawat perkakas listrik. Lakukan pemeriksaan untuk mengetahui apakah ada komponen bergerak yang tidak sejajar atau bengkok, komponen yang patah, dan kondisi lainnya yang dapat mempengaruhi pengoperasian alat listrik. Jika rusak, perbaiki dahulu alat listrik sebelum digunakan.** Banyak terjadi kecelakaan akibat alat listrik yang tidak terawat baik.

f. **Jaga ketajaman dan kebersihan alat pemotong.** Alat pemotong yang dipelihara dengan baik, dengan pisau pemotong yang tajam, tidak gampang tersangkut dan lebih mudah dikendalikan.

g. **Gunakan alat listrik, aksesoris, mata bor dan sebagainya, sesuai dengan petunjuk ini, dengan memperhatikan persyaratan kerja dan jenis pekerjaan yang harus dilakukan.** Penggunaan alat listrik untuk pengoperasian yang berbeda dengan yang dimaksudkan akan mengakibatkan situasi yang membahayakan.

h. **Jaga agar pegangan dan permukaan pegangan tetap kering, bersih, bebas dari minyak dan lemak.** Pegangan dan permukaan pegangan yang licin tidak bisa digunakan untuk melakukan penanganan dan pengendalian alat dengan aman saat dalam situasi tak terduga.

5. Servis

- a. **Minta teknisi berpengalaman memperbaiki alat listrik Anda menggunakan hanya suku cadang pengganti.** Ini akan menjamin keamanan alat terpelihara.

6. Keamanan listrik



Alat Anda berisolasi ganda; sehingga kabel arde (ground) tidak diperlukan. Selalu periksa apakah voltase listrik sudah sesuai dengan voltase yang tercantum pada pelat spesifikasi.



Peringatan! Bila kabel listrik rusak, maka harus diganti oleh pabrik, Pusat Layanan resmi BLACK+DECKER atau orang yang sama-sama berkualifikasi guna menghindari kerusakan atau cedera. Jika kabel suplai diganti oleh pihak lain yang sama-sama berkualifikasi, namun di luar perizinan BLACK+DECKER, maka garansi tidak berlaku.

7. Label pada alat

Label pada alat Anda dapat memuat simbol-simbol berikut ini:



Baca Buku Petunjuk

Hz Hertz



.....Konstruksi Kelas II



Gunakan Pelindung Mata

W Watt



.... Terminal Arde



Gunakan Pelindung Telinga

mnt menit



.... Simbol Waspada Keselamatan

~ Arus Bolak-Balik

== Arahkan Bolak-Balik

.../mnt..... Putaran atau Pemutar-balikan per menit

V Voltase

A Ampere

n_0 Kecepatan Tanpa beban

FITUR (Gbr. A)

1. Sakelar on/off
2. Tombol pengunci
3. Pemilih mode bor
4. Gagang gerak

PETUNJUK KESELAMATAN TAMBAHAN UNTUK BOR PALU

- ▶ **Gunakan pelindung telinga saat menggunakan bor palu.** Paparan terhadap kebisingan dapat menyebabkan kehilangan pendengaran.
- ▶ **Gunakan pegangan tambahan, bila disertakan pada alat ini.** Lepas kendali pada pegangan dapat menimbulkan cedera diri.
- ▶ Pegang perkakas listrik dengan permukaan

pegangan yang diisolasi, saat melakukan operasi di mana pemotongan aksesoris dapat memotong kabel tersembunyi atau miliknya sendiri. Aksesoris yang memotong kabel “hidup” tanpa disengaja, dapat membuka bagian logam dari perkakas listrik dan bisa menyetrum operator.

- ▶ **Gunakan jepitan atau cara praktis lain untuk mengamankan dan menyangga benda kerja di permukaan yang stabil.** Memegang benda dengan tangan Anda atau disandarkan pada tubuh akan membuatnya tidak stabil dan dapat mengakibatkan hilangnya kendali.
- ▶ Sebelum mengebor tembok, lantai, atau langit-langit, periksa dulu penempatan kabel dan pipa.
- ▶ Hindari menyentuh ujung mata bor segera setelah mengebor, karena kemungkinan masih panas.

PERAKITAN

⚠ **Peringatan!** Sebelum dirakit, pastikan bahwa alat ini sudah dimatikan dan dicabut dari stop kontak.

Memasang mata bor atau gagang gerak berkunci mata obeng (Gbr. B)

- ▶ Buka gagang gerak dengan memutar lengan **(5)** berlawanan arah jarum jam.
- ▶ Masukkan tangkai mata bor **(6)** ke dalam gagang gerak.
- ▶ Masukkan kunci gagang gerak **(7)** ke dalam tiap lubang **(8)** di sisi gagang gerak, lalu putar searah jarum jam sampai kencang.

Melepas dan memasang kembali gagang gerak (Gbr. C)

- ▶ Buka gagang gerak selebar mungkin.
- ▶ Lepas sekrup penahan gagang gerak (di dalam gagang gerak) dengan memutarnya searah jarum jam menggunakan obeng.
- ▶ Kencangkan kunci Allen ke dalam gagang gerak, lalu pukul dengan palu seperti yang ditunjukkan.
- ▶ Lepas kunci Allen.
- ▶ Lepaskan gagang gerak dengan cara memutarnya berlawanan arah jarum jam.
- ▶ Untuk memasang kembali gagang gerak, pasang ke pemutar menggunakan sekrup lalu kencangkan dengan sekrup penahan gagang gerak.

PENGUNAAN

⚠ **Peringatan!** Biarkan alat bekerja sesuai

kecepatannya. Jangan berikan beban yang berlebihan.

▲ **Peringatan!** Sebelum mengebor tembok, lantai, atau langit-langit, periksa dulu penempatan kabel dan pipa.

Memilih arah rotasi (Berlaku untuk TP555)

Untuk mengebor dan mengencangkan sekrup, gunakan rotasi maju (searah jarum jam). Untuk melonggarkan sekrup atau melepaskan mata bor yang macet, gunakan rotasi mundur (berlawanan arah jarum jam).

- ▶ Untuk memilih rotasi maju, dorong penggeser Maju/Mundur ke tengah.
- ▶ Untuk memilih rotasi mundur, dorong penggeser Maju/Mundur ke kiri.

▲ **Peringatan!** Jangan pernah mengubah arah rotasi pada saat mesin menyala.

Memilih mode pengeboran

- ▶ Untuk mengebor dinding bata, atur pemilih mode pengeboran (4) ke posisi T.
- ▶ Untuk mengebor bahan lain dan digunakan sebagai obeng, atur pemilih mode pengeboran ke posisi 1.

Menyalakan dan mematikan

- ▶ Untuk menyalakan alat, tekan sakelar (1). Untuk unit kecepatan variabel, kecepatan alat tergantung pada sejauh mana Anda menekan sakelar. Sebagai aturan umum untuk unit kecepatan variabel, gunakan kecepatan rendah untuk mata bor berdiameter besar dan kecepatan tinggi untuk mata bor berdiameter lebih kecil.
- ▶ Untuk pengoperasian terus-menerus, tekan tombol pengunci (2) dan lepaskan sakelar kecepatan variabel. Pilihan ini tersedia hanya bila digunakan pada kecepatan tinggi. Pilihan ini tidak bisa digunakan pada rotasi mundur.
- ▶ Untuk mematikan alat, lepas sakelar. Untuk mematikan alat saat digunakan terus-menerus, tekan kembali sakelar kecepatan variabel, lalu lepas tombol.

PEMELIHARAAN

Alat Anda telah dirancang untuk penggunaan jangka panjang dengan pemeliharaan minimal. Pengoperasian yang memuaskan secara terus-menerus bergantung pada cara pemeliharaan yang benar dan pembersihan alat secara teratur.

▲ **Peringatan!** Sebelum melakukan perawatan apa pun, matikan alat dan cabut stekernya.

- ▶ Bersihkan celah-celah ventilasi alat Anda secara berkala menggunakan sikat lembut atau kain kering.
- ▶ Bersihkan kerangka motor secara teratur dengan menggunakan kain bersih yang lembap. Jangan gunakan bahan pembersih abrasif atau pembersih berbahan dasar larutan apa pun.

▲ **Penting!** Untuk memastikan **KEAMANAN** dan **KEANDALAN**, produk, reparasi, pemeliharaan, dan penyesuaian (di luar yang tercantum dalam buku petunjuk ini), harus dilakukan oleh pusat layanan resmi atau pihak servis lain yang memenuhi syarat, dengan selalu menggunakan komponen pengganti yang persis sama.

AKSESORI

Kinerja alat Anda tergantung pada aksesoris yang digunakan. Aksesoris BLACK+DECKER dibuat dengan standar kualitas yang tinggi dan dirancang untuk meningkatkan kinerja alat Anda. Dengan menggunakan aksesoris tersebut, Anda akan memaksimalkan penggunaan alat.

MELINDUNGI LINGKUNGAN



Pengumpulan terpisah. Produk ini tidak boleh dibuang bersama limbah rumah tangga biasa. Jika produk BLACK+DECKER Anda perlu diganti, atau tidak lagi digunakan, jangan buang bersama sampah rumah tangga. Pisahkan produk ini.



Pengumpulan produk dan kemasan bekas secara terpisah, memungkinkan material dapat didaur ulang dan digunakan lagi. Penggunaan kembali bahan yang didaur ulang membantu mencegah pencemaran lingkungan dan mengurangi permintaan kebutuhan bahan baku. Undang-undang setempat mungkin memfasilitasi pengumpulan produk-produk kelistrikan terpisah dari sampah rumah tangga, di tempat pembuangan sampah kota atau oleh pedagang ritel pada saat Anda membeli produk baru.

INFORMASI SERVIS

BLACK+DECKER menawarkan jaringan lengkap milik perusahaan dan lokasi servis resmi di seluruh Asia. Semua Pusat Servis BLACK+DECKER memiliki personel terlatih untuk menyediakan layanan alat listrik yang efisien dan dapat diandalkan oleh pelanggan. Jika Anda

membutuhkan nasihat teknis, perbaikan, atau penggantian komponen pabrik asli, hubungi kantor BLACK+DECKER yang terdekat dengan Anda.

CATATAN

- ▶ Kebijakan BLACK+DECKER merupakan salah satu peningkatan yang berkelanjutan pada produk kami dan karenanya, kami berhak mengubah spesifikasi produk tanpa pemberitahuan sebelumnya.
- ▶ Perlengkapan dan aksesori standar mungkin akan berbeda menurut negara.
- ▶ Spesifikasi produk mungkin akan berbeda menurut negara.
- ▶ Rangkaian produk lengkap mungkin tidak tersedia di semua negara.
- ▶ Hubungi dealer BLACK+DECKER setempat Anda untuk ketersediaan produk.

ส่วนเจาะกระแทก TP550/TP555

ข้อมูลทางด้านเทคนิค

ข้อมูลจำเพาะ	TP550
กำลังไฟ	550 วัตต์
แรงดันไฟฟ้า	220-240V~ 50/60Hz
ตัวจับดอกสว่าน	3/8" (10 มม.)
ความเร็วขณะไม่มีโหลด	2900 รอบ/นาที (rpm)
IPM - การกระแทกต่อนาที	0 - 47600 ipm (gpm)
ความสามารถในการเจาะสูงสุด	
เหล็ก/คอนกรีต	3/8" (10 มม.)
ไม้	25/32" (20 มม.)
น้ำหนัก	1,3 กก. (2,9 ปอนด์)

ข้อมูลจำเพาะ	TP555
กำลังไฟ	550 วัตต์
แรงดันไฟฟ้า	220-240V~ 50/60Hz
ตัวจับดอกสว่าน	3/8" (10 มม.)
ความเร็วขณะไม่มีโหลด	0 - 2900 รอบ/นาที (rpm)
IPM - การกระแทกต่อนาที	0 - 47600 ipm (gpm)
ความสามารถในการเจาะสูงสุด	
เหล็ก/คอนกรีต	3/8" (10 มม.)
ไม้	25/32" (20 มม.)
น้ำหนัก	1,3 กก. (2,9 ปอนด์)

กฎความปลอดภัยทั่วไป

▲**คำเตือน!** โปรดอ่านและทำความเข้าใจคำแนะนำที่
ให้ไว้ทั้งหมด หากไม่ปฏิบัติตามคำแนะนำเหล่านี้ที่ระบุไว้
ด้านล่างนี้ อาจทำให้เกิดไฟฟ้าช็อต เกิดอัคคีภัย และ/
หรือบาดเจ็บสาหัสได้

เก็บคำแนะนำเหล่านี้ไว้



คำแนะนำด้านความปลอดภัย
คำเตือนเพื่อความปลอดภัยสำหรับ
เครื่องมือไฟฟ้าทั่วไป

คำเตือน! อ่านคำเตือนเพื่อความปลอดภัย
และคำแนะนำทั้งหมด หากไม่ปฏิบัติตามคำเตือนและ
คำแนะนำที่ระบุไว้ด้านล่างนี้อาจทำให้เกิดไฟฟ้าช็อต
ไฟไหม้ และ/หรือได้รับบาดเจ็บสาหัสได้

เก็บคำเตือนและคำแนะนำทั้งหมดไว้เพื่อการ
อ้างอิงในอนาคต คำว่า "เครื่องมือไฟฟ้า" ในคำเตือน
ทั้งหมดที่แสดงอยู่ด้านล่างนี้ หมายถึงเครื่องมือไฟฟ้า
(แบบมีสาย) ที่ทำงานด้วยแหล่งจ่ายไฟหลัก หรือ
เครื่องมือไฟฟ้า (แบบไร้สาย) ที่ทำงานด้วยแบตเตอรี่

- ความปลอดภัยในบริเวณที่ทำงาน**
- รักษาความสะอาดและจัดให้มีแสงสว่างเพียงพอ**
ในบริเวณที่ทำงาน บริเวณที่มีด และ มีของวาง

- ระเกะระกะทำให้เกิดอุบัติเหตุได้
- ห้ามใช้เครื่องมือไฟฟ้าในบริเวณที่อาจเกิดการ**
ระเบิด เช่น ในสถานที่ที่มีของเหลว แก๊ส หรือ
ฝุ่นละอองที่มีคุณสมบัติไวไฟ เครื่องมือไฟฟ้า
จะทำให้เกิดประกายไฟที่อาจ เป็นสาเหตุให้เกิด
ละอองไฟหรือเปลวไฟได้
- ระวังไม่ให้เด็กและผู้ที่อยู่ใกล้เคียงเข้าใกล้**
ในขณะที่ใช้งานเครื่องมือไฟฟ้า สิ่งรอบกวนอาจ
ทำให้คุณ เสียสมาธิได้

- ความปลอดภัยทางไฟฟ้า**
- ปลั๊กไฟของเครื่องต้องเป็นชนิดเดียวกับตัวรับ**
ห้าม ตัดแปลงปลั๊กไม่ว่าด้วยวิธีใด ห้ามใช้
สายดิน (ลงกราวด์) ปลั๊กที่ไม่มีกราวด์ตัดแปลงและ
ตัวรับชนิดเดียวกันจะ ช่วยลดความเสี่ยงจากการ
เกิดไฟฟ้าช็อต

- หลีกเลี่ยงการสัมผัสพื้นผิวที่ต่อสายดินหรือลง**
กราวด์ เช่น ท่อ หม้อน้ำ เตาหุงต้ม และตู้เย็น
มีความเสี่ยงเพิ่มขึ้นที่จะเกิดไฟฟ้าช็อต หาก
ร่างกายของคุณเป็นสื่อเชื่อมต่อลงดินหรือลงกราวด์

- อย่าให้เครื่องมือไฟฟ้าถูกฝนหรือเปียกน้ำ**
น้ำที่เข้าเครื่องมือไฟฟ้าจะทำให้มีความเสี่ยงต่อการ
จากการถูกไฟฟ้าช็อต

- ห้ามใช้สายไฟผิดวัตถุประสงค์ ห้ามใช้สายไฟ**
เพื่อการหิ้ว ดึง หรือถอดปลั๊กเครื่องมือไฟฟ้า
เก็บสายไฟให้ห่างจากความร้อน น้ำมัน ของมี
คม หรือชิ้นส่วนที่กำลังเคลื่อนที่ สายไฟที่ชำรุด
หรือพันกันจะเพิ่ม ความเสี่ยงจากการเกิดไฟฟ้า
ช็อต

- เมื่อใช้เครื่องมือไฟฟ้านอกอาคาร ให้ใช้**
สายต่อพ่วงที่เหมาะสมสำหรับการใช้งานนอก
อาคาร การใช้สายไฟที่เหมาะสมสำหรับการใช้งาน
ภายนอกอาคารจะช่วยลดความเสี่ยงจากการถูก
ไฟฟ้าช็อต

- หากไม่สามารถหลีกเลี่ยงการใช้เครื่องมือ**
ไฟฟ้าในบริเวณที่ชื้นและได้ ให้ใช้แหล่งจ่าย
ไฟที่มีการป้องกันด้วยอุปกรณ์ป้องกันไฟดูด
(RCD) การใช้ RCD จะช่วยลดความเสี่ยง จากการ
ถูกไฟฟ้าช็อต

- ความปลอดภัยส่วนบุคคล**
- ตื่นตัว และมีสมาธิกับสิ่งที่คุณกำลังทำ และใช้**
สามัญสำนึกในขณะที่กำลังใช้เครื่องมือไฟฟ้า
ห้ามใช้เครื่องมือไฟฟ้าขณะที่คุณเหนื่อยหรือ
ได้รับอิทธิพลจากยา แอลกอฮอล์ หรือการ
รักษาบางอย่าง การขาดความระมัดระวังในการ
ใช้เครื่องมือไฟฟ้าแม้เพียงชั่วขณะอาจทำให้ได้รับ
บาดเจ็บสาหัสได้

- ใช้อุปกรณ์คุ้มครองความปลอดภัยส่วนบุคคล**
สวมอุปกรณ์ ป้องกันดวงตาเสมอ อุปกรณ์
ป้องกัน เช่น หน้ากากกันฝุ่น รองเท้านิรภัยกันส้น
หมวกนิรภัย หรืออุปกรณ์ป้องกันเสียงดัง ซึ่งอยู่

ในสภาพที่เหมาะสมจะช่วยลดอาการบาดเจ็บส่วนบุคคลได้

- ค) **ป้องกันเครื่องเปิดทำงานโดยไม่ตั้งใจ** สวิตช์ต้องอยู่ในตำแหน่งปิดก่อนเชื่อมต่อเข้ากับแหล่งจ่ายไฟ และ/หรือชุดแบตเตอรี่ หรือก่อนยกหรือหัว เครื่องมือ การยกเครื่องมือไฟฟ้าในขณะที่นิ้วอยู่ที่สวิตช์ หรือการจ่ายไฟให้เครื่องมือโดยที่สวิตช์เปิดอยู่ อาจทำให้เกิดอุบัติเหตุได้
- ง) **ถอดกุญแจปรับตั้งหรือประแจออกก่อน** เปิดสวิตช์เครื่องมือไฟฟ้า ประแจหรือกุญแจที่เสียบค้างอยู่ในชิ้นส่วนที่หมุนได้ของเครื่องมือไฟฟ้าอาจทำให้ได้รับบาดเจ็บได้

จ) **ห้ามยืนเขย่งเท้าขณะใช้เครื่อง** ควรยืนในท่าที่เหมาะสมและสมดุลตลอดเวลา เพื่อช่วยในการควบคุมเครื่องมือไฟฟ้าได้ดียิ่งขึ้นในสถานการณ์ที่ไม่คาดคิด

ฉ) **แต่งกายให้เหมาะสม** ห้ามสวมเสื้อผ้าหลวมหรือใส่เครื่องประดับ ร่มผม ชายเสื่อ และถุงมือให้ห่าง จากชิ้นส่วนที่กำลังหมุน เสื้อผ้าที่หลวมหรือยาวรุ่มร่าม เครื่องประดับ หรือผมที่ยาวอาจเข้าไปพันกับชิ้นส่วนที่กำลังหมุน

ช) **อย่าให้ความคุ้นเคยที่ได้มาจากการใช้บ่อยๆ** ทำให้คุณกลายเป็นคนพอใจและเพิกเฉย กับความปลอดภัยของการใช้เครื่องมือ ความประมาทอาจทำให้บาดเจ็บสาหัสภายในเสี้ยววินาที

4. การใช้และการดูแลรักษาเครื่องมือไฟฟ้า

ก) **ห้ามฝืนใช้เครื่องมือไฟฟ้า** เลือกใช้เครื่องมือไฟฟ้าที่ถูกต้อง ตรงกับลักษณะการใช้งานของคุณ เครื่องมือไฟฟ้าที่ถูกต้องย่อมทำงานได้ดีกว่าและปลอดภัยกว่าเมื่อใช้งานตามพิกัดที่เครื่องมือได้รับการออกแบบมา

ข) **ห้ามใช้เครื่องมือไฟฟ้าถ้าสวิตช์เปิดปิดเครื่องไม่ทำงาน** เครื่องมือไฟฟ้าที่ไม่สามารถควบคุมผ่านสวิตช์ได้ ถือว่ามีอันตรายและต้องส่งซ่อม

ค) **ถอดปลั๊กเครื่องมือไฟฟ้าออกจากแหล่งจ่ายไฟ และ/หรือ ถอดแบตเตอรี่ออกจากเครื่องมือไฟฟ้าก่อน** การปรับแต่งใดๆ เปลี่ยนอุปกรณ์เสริม หรือจัดเก็บเครื่องมือไฟฟ้า มาตรการเพื่อความปลอดภัยเชิงการป้องกันนี้ จะช่วยลดความเสี่ยงในการเผลอเปิดเครื่องมือไฟฟ้าให้ทำงานโดยไม่ตั้งใจ

ง) **เก็บเครื่องมือไฟฟ้าที่ไม่ได้ใช้งานไว้ให้พ้นมือเด็ก** และไมอนุญาตให้บุคคลที่ไม่คุ้นเคยกับเครื่องมือ ไฟฟ้าหรือคำแนะนำเหล่านี้เป็นผู้ใช้เครื่องมือ เครื่องมือไฟฟ้าจะเป็นอันตรายหากอยู่ในมือผู้ใช้ที่ไม่มีความชำนาญ

จ) **บำรุงรักษาเครื่องมือไฟฟ้า** ตรวจสอบว่าชิ้นส่วนที่เคลื่อนที่ได้มีการวางไม่ตรงแนวหรือติดขัดหรือไม่ มีชิ้นส่วนที่แตกหักและสภาพอื่นใดที่อาจส่งผลกระทบต่อการทำงานของเครื่องมือไฟฟ้าหรือไม่ หากชำรุดเสียหาย ให้นำเครื่องมือไปส่งซ่อมก่อนนำมาใช้ อุบัติเหตุจำนวนมากเกิดจากการดูแลรักษาเครื่องมือไฟฟ้าไม่ดีพอ

ฉ) **เครื่องมือตัดต้องคมและสะอาดอยู่เสมอ** เครื่องมือตัดที่ได้รับการดูแลรักษาอย่างเหมาะสมและมีขอบตัดที่คม จะมีโอกาสติดขัดน้อยลงและความคมได้ง่ายขึ้น

ช) **รักษาที่จับและพื้นผิวที่จับให้แห้ง สะอาด และปราศจากน้ำมันและไขมัน** หากที่จับและพื้นผิวลื่น จะไม่ปลอดภัยในการใช้งาน อาจเกิดเหตุการณ์ที่ไม่คาดคิดได้

5. การบริการ

ก) **ให้ช่างซ่อมที่มีความเชี่ยวชาญเป็นผู้ซ่อมเครื่องมือ และใช้อะไหล่แท้เท่านั้น** ซึ่งจะช่วยให้มั่นใจได้ว่าเครื่องมือไฟฟ้ามีความปลอดภัยอยู่

6. ความปลอดภัยทางไฟฟ้า



เครื่องมือของคุณมีฉนวนสองชั้น ดังนั้นจึงไม่จำเป็นต้องต่อสายดิน ต้องตรวจสอบแรงดันไฟฟ้าจากแหล่งจ่ายไฟให้ตรงกับแรงดันไฟฟ้าบนแผ่นแสดงพิกัดเสมอ



คำเตือน! ถ้าสายไฟชำรุดเสียหาย จะต้องได้รับการเปลี่ยนโดยบริษัทผู้ผลิต ศูนย์บริการ BLACK+DECKER ที่ได้รับอนุญาต หรือบุคคลที่มีคุณสมบัติเทียบเท่า เพื่อหลีกเลี่ยงความเสียหายหรือการบาดเจ็บ หากผู้เปลี่ยนสายไฟของตัวเครื่องมือเป็นบุคคลที่มีคุณสมบัติตรงตามที่กำหนดไว้แต่ไม่ใช่บุคคลผู้ได้รับอนุญาตจาก BLACK+DECKER การรับประกันจะเป็นโมฆะ

7. สัญลักษณ์บนเครื่องมือ

ป้ายบนเครื่องมือของคุณอาจมีสัญลักษณ์ดังต่อไปนี้

	อ่านคู่มือการใช้งาน	Hz	เฮิร์ตซ์		โครงสร้างคลาส II
	ใช้ปลั๊กกริ่งป้องกันดวงตา	W	วัตต์		ขั้วต่อลงดิน
	ใช้เครื่องป้องกันเสียงดัง	min	นาที		สัญลักษณ์แจ้งเตือนความปลอดภัย
	ใช้เครื่องป้องกันเสียงดัง	~	ไฟกระแสสลับ		รอบการหมุนหรือรอบการทำงานต่อนาที
V	โวลต์	==	ไฟกระแสตรง		
A	แอมแปร์	n ₀	ความเร็วขณะไม่มีภาระโหลด		

ส่วนประกอบสำคัญ (รูป A)

1. สวิตช์เปิด/ปิด
2. ปุ่มล๊อค
3. สวิตช์เลือกโหมดการเจาะ
4. ตัวจับดอกสว่าน

ข้อปฏิบัติเพื่อความปลอดภัยเพิ่มเติมสำหรับส่วนเจาะกระแทก

▶ **สวมใส่อุปกรณ์ป้องกันเสียงดังเมื่อใช้ส่วนเจาะกระแทก** การเผชิญกับเสียงดังมากๆ อาจ

ทำให้สูญเสียความสามารถในการได้ยิน

- ▶ **ใช้มือจับเสริมหากใหม่พร้อมกับเครื่อง** การสูญเสียการควบคุมเครื่องอาจทำให้ได้รับบาดเจ็บได้
- ▶ **จับเครื่องมือไฟฟ้าที่พื้นผิวส่วนที่ใช้จับซึ่งมีฉนวนป้องกัน** เมื่อทำงานประเภทใดก็ตามที่อุปกรณ์เสริมที่ใช้กับงานตัด อาจสัมผัสกับสายไฟที่ซ่อนอยู่หรือสายไฟของตัวเครื่องเอง อุปกรณ์เสริมสำหรับงานตัดที่สัมผัสถูกสายไฟ "ที่มีไฟฟ้า" อาจทำให้ส่วนที่เป็นโลหะของเครื่องที่ถูกสัมผัส "มีไฟฟ้า" และทำให้ผู้ใช้เครื่องถูกไฟฟ้าช็อตได้
- ▶ **ใช้ตัวจับชิ้นงานหรือจับยึดด้วยวิธีอื่นๆ** เพื่อยึดและหมุนชิ้นงานบนแท่นที่มั่นคง การใช้มือจับหรือให้ชิ้นงานฟุ้งกับลำตัวจะไม่มั่นคง และอาจทำให้สูญเสียการควบคุมได้
- ▶ **ก่อนเจาะผนัง พื้น หรือเพดาน** ให้ตรวจหาตำแหน่งสายไฟและท่อน้ำ
- ▶ **หลีกเลี่ยงการสัมผัสปลายดอกสว่านหลังจากเพิ่งเจาะเสร็จ** เนื่องจากดอกสว่านอาจจะมีความร้อนหลงเหลืออยู่

ข้อปฏิบัติเพื่อความปลอดภัยเมื่อใช้ดอกเจาะแบบยาว

- ก) **ไม่ควรใช้งานด้วยความเร็วสูงกว่าอัตราความเร็วสูงสุดของสว่าน** เมื่อใช้ความเร็วสูงกว่ากำหนด ดอกเจาะจะงอและหมุนได้รอบโดยไม่ต้อไปจับชิ้นงาน ทำให้ผู้ใช้งานได้รับบาดเจ็บได้
- ข) **เริ่มต้นเจาะโดยการวางปลายดอกสว่านไว้บนชิ้นงานแล้วใช้ความเร็วต่ำเสมอ** หากใช้ความเร็วสูงกว่ากำหนด จะทำให้ดอกเจาะงอและหมุนได้รอบโดยไม่ต้อไปจับชิ้นงาน ทำให้ผู้ใช้งานได้รับบาดเจ็บได้
- ค) **ใช้แรงกดเมื่อต้องการให้ดอกเจาะไปตรงตำแหน่งที่ต้องการ** แต่ห้ามใช้แรงกดมากเกินไป เพราะจะทำให้ดอกเจาะโค้งงอ หรือแตกได้ ทำให้เสียการควบคุม และผู้ใช้งานอาจได้รับบาดเจ็บได้

การประกอบ

- △ **คำเตือน!** ก่อนการประกอบ ตรวจสอบให้แน่ใจว่าเครื่องมือเปิดสวิตช์ข้อยและถอดปลั๊กไฟแล้ว
- การติดตั้งดอกสว่านหรือดอกไขควงสำหรับตัวจับดอกสว่านแบบใช้กุญแจ (รูป B)**
- ▶ คลายตัวจับดอกสว่านโดยการหมุนปลอก (5) ทวนเข็มนาฬิกา
- ▶ สอดแกนดอกสว่าน (6) เข้าไปในตัวจับดอกสว่าน
- ▶ สอดฝาป็นตัวจับดอกสว่าน (7) เข้าไปในรู (8) ด้านข้างตัวจับดอกสว่านแล้วหมุนตามเข็มนาฬิกาจนแน่น

การถอดและเปลี่ยนตัวจับดอกสว่าน (รูป C)

- ▶ เปิดตัวจับดอกสว่านให้กว้างที่สุดเท่าที่จะทำได้
- ▶ ถอดสกรูยึดตัวจับดอกสว่านซึ่งอยู่ภายในตัวจับดอก

- สว่านโดยใช้ไขควงขันไปตามเข็มนาฬิกา
- ▶ **ขันประแจหกเหลี่ยมทรง L เข้าไปในตัวจับดอกสว่าน** ให้แน่นแล้วดอกด้วยค้อนตังแสดงในรูป
- ▶ ถอดประแจหกเหลี่ยมทรง L ออก
- ▶ ถอดตัวจับดอกสว่านออกโดยหมุนทวนเข็มนาฬิกา
- ▶ เมื่อจะเปลี่ยนตัวจับดอกสว่าน ให้ขันตัวจับเข้ากับแกนหมุนแล้วยึดด้วยสกรูยึดตัวจับดอกสว่าน

การใช้งาน

- △ **คำเตือน!** ปลดปล่อยให้เครื่องมือทำงานตามความเร็วของเครื่อง ห้ามใช้งานเกินกำลัง
- △ **คำเตือน!** ก่อนเจาะผนัง พื้น หรือเพดาน ให้ตรวจสอบตำแหน่งสายไฟและท่อน้ำ

การเลือกทิศทางการหมุน (ใช้ได้กับ TP555)

- สำหรับการเจาะและขันสกรูเข้า ให้ใช้การหมุนไปด้านหน้า (ตามเข็มนาฬิกา) สำหรับขันคลายสกรูหรือถอนดอกสว่านที่ติด ให้ใช้การหมุนย้อนกลับ (ทวนเข็มนาฬิกา)
- ▶ ถ้าต้องการเลือกให้หมุนไปด้านหน้า ให้ดันปุ่มเลื่อนด้านหน้า/ถอยหลัง ไปที่ตำแหน่งกึ่งกลาง
- ▶ ถ้าต้องการเลือกให้หมุนย้อนกลับ ให้ดันปุ่มเลื่อนด้านหน้า/ถอยหลัง ไปทางด้านซ้าย
- △ **คำเตือน!** ห้ามเปลี่ยนทิศทางการหมุนขณะที่มอเตอร์กำลังหมุนโดยเด็ดขาด

การเลือกโหมดเจาะกระแทก

- ▶ สำหรับการเจาะลงไปในวันัดปูน ให้ปรับสวิตช์เลือกโหมดการเจาะ (4) ไปที่ตำแหน่ง T
- ▶ สำหรับการเจาะลงไปในวันัดอื่นๆ และสำหรับการขันสกรู ให้ปรับสวิตช์เลือกโหมดการเจาะไปที่ตำแหน่ง 1

การเปิดและปิดเครื่อง

- ▶ เมื่อต้องการเปิดเครื่อง ให้กดสวิตช์ (1) สำหรับเครื่องมือที่มีสวิตช์ปรับระดับความเร็ว ความเร็วของเครื่องมือจะขึ้นอยู่กับว่า คุณกดสวิตช์ลึกแค่ไหน กฎทั่วไปในการปฏิบัติสำหรับเครื่องมือที่มีสวิตช์ปรับระดับความเร็ว ให้ใช้ความเร็วต่ำสำหรับดอกสว่านขนาดใหญ่ และความเร็วสูงสำหรับดอกสว่านขนาดเล็กกว่า
- ▶ หากต้องการใช้งานอย่างต่อเนื่อง ให้กดปุ่มล็อค (2) และปล่อยสวิตช์ปรับระดับความเร็ว ตัวเลือกนี้จะใช้งานได้ด้วยความเร็วสูงสุดเท่านั้น และไม่สามารถ ใช้งานกับการหมุนย้อนกลับ
- ▶ เมื่อจะปิดเครื่อง ให้ปล่อยสวิตช์ เมื่อจะปิดเครื่องระหว่างการใช้งานต่อเนื่อง ให้กดสวิตช์ปรับระดับความเร็วซ้ำหนึ่งครั้งแล้วปล่อย

การบำรุงรักษา

เครื่องมือของคุณออกแบบมาเพื่อให้สามารถใช้งานได้อย่างยาวนานต่อเนื่องโดยมีการบำรุงรักษาที่น้อยที่สุด การทำงานที่สร้างความพึงพอใจอย่างต่อเนื่องจะขึ้นอยู่กับ การดูแลรักษาที่เหมาะสมและการทำความสะอาดอย่างสม่ำเสมอ

△ **คำเตือน!** ก่อนทำการบำรุงรักษาเครื่องมือ ให้ปิดสวิตช์และถอดปลั๊กเครื่องมือทุกครั้ง

- ▶ ทำความสะอาดของระบายนอกอากาศในเครื่องมือของคุณเป็นประจำ โดยใช้แปรงขนอ่อนหรือผ้าแห้ง
- ▶ ทำความสะอาดตัวมอเตอร์เป็นประจำโดยใช้ผ้าชุบน้ำหมาดๆ ห้ามใช้น้ำยาทำความสะอาดที่มีฤทธิ์กัดกร่อนหรือมีส่วนผสมของตัวทำละลาย

△ **ข้อสำคัญ!** เพื่อให้มั่นใจในความปลอดภัยและความไว้วางใจในตัวผลิตภัณฑ์ การซ่อมแซม การบำรุงรักษา และการปรับตั้งต่างๆ (นอกเหนือจากที่ระบุไว้ในคู่มือนี้) จะต้องดำเนินการโดยศูนย์บริการที่ได้รับอนุญาต หรือเจ้าหน้าที่บริการที่ผ่านการรับรอง โดยขึ้นส่วนอะไหล่ของแท้เท่านั้น

อุปกรณ์เสริม

สมรรถนะของเครื่องมือจะขึ้นกับอุปกรณ์เสริมที่ใช้ อุปกรณ์เสริมของ BLACK+DECKER ได้รับการออกแบบทางวิศวกรรมให้มีมาตรฐานคุณภาพสูง และเพิ่มสมรรถนะของเครื่องมือของคุณ คุณจึงสามารถใช้อุปกรณ์ได้อย่างมีประสิทธิภาพสูงสุดเมื่อใช้อุปกรณ์เสริมเหล่านี้

การปกป้องสิ่งแวดล้อม



เก็บรวบรวมแบบคัดแยก ห้ามทิ้งผลิตภัณฑ์นี้รวมกับขยะในครัวเรือนปกติ หากเมื่อใดก็ตามที่จำเป็นต้องเปลี่ยนผลิตภัณฑ์ BLACK+DECKER หรือถ้าเครื่องมือนี้ไม่เป็นประโยชน์อีกต่อไป อย่าทิ้งผลิตภัณฑ์นี้รวมกับขยะในครัวเรือน โปรดจัดการกับผลิตภัณฑ์นี้เพื่อการเก็บรวบรวมแบบคัดแยก



เก็บรวบรวมแบบคัดแยกผลิตภัณฑ์และบรรจุภัณฑ์ที่ใช้แล้วทำให้สามารถรีไซเคิลวัสดุและนำมาใช้งานได้อีกครั้ง การนำวัสดุรีไซเคิลมาใช้อีกครั้งจะช่วยป้องกันมลพิษต่อสิ่งแวดล้อมและลดความต้องการวัตถุดิบ ตามกฎระเบียบท้องถิ่นอาจมีการจัดเตรียมสถานที่สำหรับการเก็บรวบรวมแบบคัดแยกอุปกรณ์ไฟฟ้าที่ใช้ภายในครัวเรือนไว้ ณ แหล่งรับขยะของเทศบาล หรืออาจมีการรับอุปกรณ์ใช้แล้วจากผู้ค้าปลีกในกรณีที่คุณซื้อผลิตภัณฑ์ชิ้นใหม่

ข้อมูลการบริการ

BLACK+DECKER มีเครือข่ายศูนย์บริการเต็มรูปแบบทั้งที่เป็นเจ้าของเองและศูนย์บริการที่ได้รับอนุญาตกระจายอยู่ทั่วประเทศ ศูนย์บริการ BLACK+DECKER ทุกแห่งมีพนักงานที่ผ่านการฝึกอบรมเพื่อให้บริการเกี่ยวกับเครื่องมือไฟฟ้าได้อย่างมีประสิทธิภาพและเชื่อถือได้ ไม่ว่าคุณจะต้องการคำแนะนำด้านเทคนิค การซ่อมแซม หรืออะไหล่แท้จากโรงงาน โปรดติดต่อศูนย์ BLACK+DECKER ใกล้บ้านคุณ

หมายเหตุ

- ▶ เนื่องจาก Black & Decker มีนโยบายพัฒนาปรับปรุงผลิตภัณฑ์อย่างต่อเนื่อง ดังนั้นเราจึงขอสงวนสิทธิ์ในการเปลี่ยนแปลงข้อมูลจำเพาะของผลิตภัณฑ์โดยไม่แจ้งให้ทราบล่วงหน้า
- ▶ อุปกรณ์มาตรฐานและอุปกรณ์เสริมอาจแตกต่างกันในแต่ละประเทศ
- ▶ ข้อมูลจำเพาะของผลิตภัณฑ์อาจแตกต่างกันในแต่ละประเทศ
- ▶ ตัวเลือกผลิตภัณฑ์อาจมีจำหน่ายไม่ครบทุกรายการในบางประเทศ
- ▶ โปรดสอบถามรุ่นผลิตภัณฑ์ที่มีจำหน่ายจากตัวแทนจำหน่ายของ BLACK+DECKER ในประเทศของคุณ

