

DEWALT®

www.DEWALT.com

DWE349

English (<i>original instructions</i>)	4
简体中文	9
繁体中文	13
한국어	18
ภาษาไทย	23
BAHASA INDONESIA	29

Fig. A

图 A

圖 A

그림 A

꺠뵡 A

Gambar A

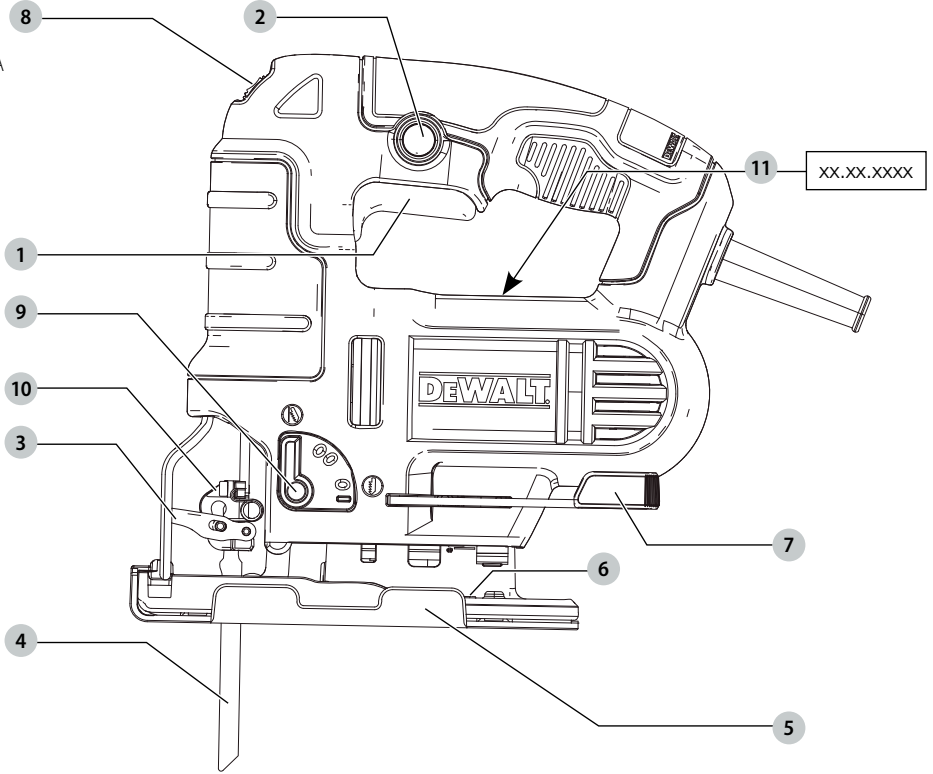


Fig. B

图 B

圖 B

그림 B

꺠뵡 B

Gambar B

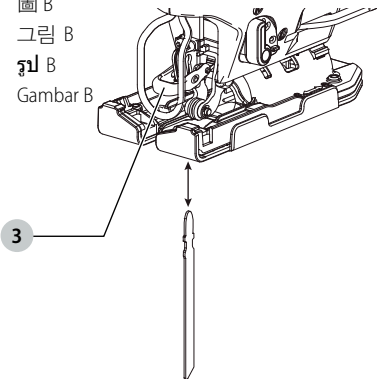


Fig. C

图 C

圖 C

그림 C

꺠뵡 C

Gambar C

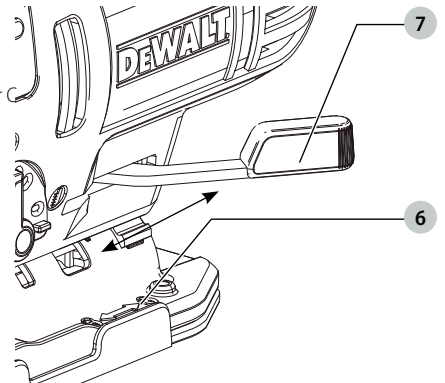


Figure D 그림 D

图 D 图 D

圖 D Gambar D

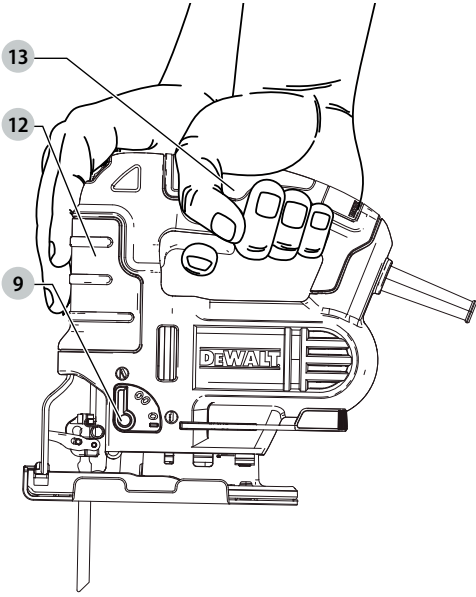


Figure E 그림 E

图 E 图 E

圖 E Gambar E

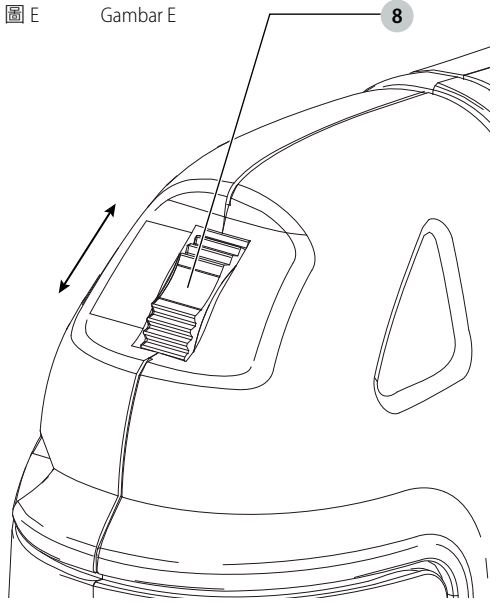


Figure F

图 F

圖 F

그림 F

图 F

圖 F Gambar F

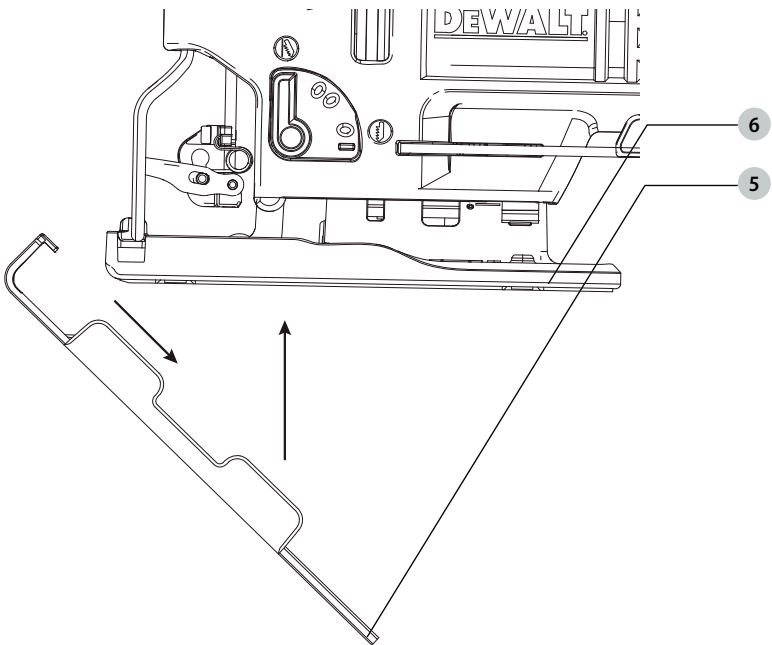


Figure G

图 G

圖 G

그림 G

꺄뵁 G

Gambar G

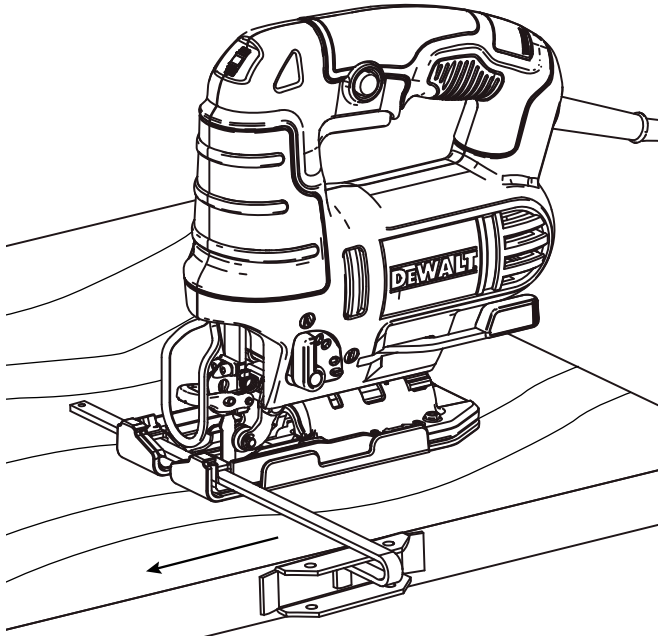


Figure H

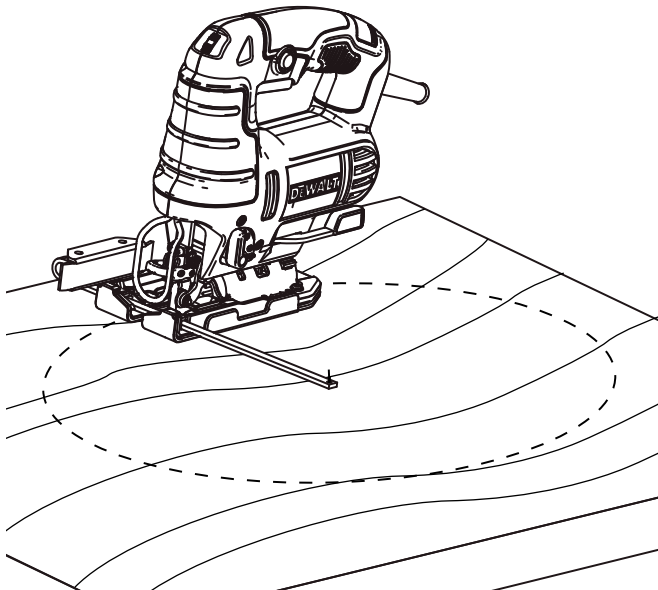
图 H

圖 H

그림 H

꺄뵁 H

Gambar H



JIG SAW

DWE349

Congratulations!

You have chosen a DEWALT tool. Years of experience, thorough product development and innovation make DEWALT one of the most reliable partners for professional power tool users.

Technical Data

		DWE349
Voltage	V _{AC}	220-240
Power output	W	650
Frequency	Hz	50-60
No-load speed	/min	500-3200
Stroke length	mm	20
Bevel angle adjustment	l/r	0-45°
Weight	kg	2.4
Cutting depth in:		
wood	mm	85
aluminum	mm	20
steel (non-alloy)	mm	10



WARNING: To reduce the risk of injury, read the instruction manual.

Definitions: Safety Guidelines

The definitions below describe the level of severity for each signal word. Please read the manual and pay attention to these symbols.



DANGER: Indicates an imminently hazardous situation which, if not avoided, **will** result in **death or serious injury**.



WARNING: Indicates a potentially hazardous situation which, if not avoided, **could** result in **death or serious injury**.



CAUTION: Indicates a potentially hazardous situation which, if not avoided, **may** result in **minor or moderate injury**.

NOTICE: Indicates a practice **not related to personal injury** which, if not avoided, **may** result in **property damage**.



Denotes risk of electric shock.



Denotes risk of fire. General Power Tool Safety Warnings

GENERAL POWER TOOL SAFETY WARNINGS



WARNING: Read all safety warnings, instructions, illustrations and specifications provided with **this power tool**. Failure to follow all instructions listed below may result in electric shock, fire and/or serious injury.

SAVE ALL WARNINGS AND INSTRUCTIONS FOR FUTURE REFERENCE

The term "power tool" in the warnings refers to your mains-operated (corded) power tool or battery-operated (cordless) power tool.

1) Work Area Safety

- Keep work area clean and well lit.** Cluttered or dark areas invite accidents.
- Do not operate power tools in explosive atmospheres, such as in the presence of flammable liquids, gases or dust.** Power tools create sparks which may ignite the dust or fumes.
- Keep children and bystanders away while operating a power tool.** Distractions can cause you to lose control.

2) Electrical Safety

- Power tool plugs must match the outlet. Never modify the plug in any way. Do not use any adapter plugs with earthed (grounded) power tools.** Unmodified plugs and matching outlets will reduce risk of electric shock.
- Avoid body contact with earthed or grounded surfaces, such as pipes, radiators, ranges and refrigerators.** There is an increased risk of electric shock if your body is earthed or grounded.
- Do not expose power tools to rain or wet conditions.** Water entering a power tool will increase the risk of electric shock.
- Do not abuse the cord. Never use the cord for carrying, pulling or unplugging the power tool. Keep cord away from heat, oil, sharp edges or moving parts.** Damaged or entangled cords increase the risk of electric shock.
- When operating a power tool outdoors, use an extension cord suitable for outdoor use.** Use of a cord suitable for outdoor use reduces the risk of electric shock.
- If operating a power tool in a damp location is unavoidable, use a residual current device (RCD) protected supply.** Use of an RCD reduces the risk of electric shock.

3) Personal Safety

- Stay alert, watch what you are doing and use common sense when operating a power tool. Do not use a power tool while you are tired or under the influence of drugs, alcohol or medication.** A moment

of inattention while operating power tools may result in serious personal injury.

- b) **Use personal protective equipment. Always wear eye protection.** Protective equipment such as a dust mask, non-skid safety shoes, hard hat or hearing protection used for appropriate conditions will reduce personal injuries.
- c) **Prevent unintentional starting. Ensure the switch is in the off-position before connecting to power source and/or battery pack, picking up or carrying the tool.** Carrying power tools with your finger on the switch or energising power tools that have the switch on invites accidents.
- d) **Remove any adjusting key or wrench before turning the power tool on.** A wrench or a key left attached to a rotating part of the power tool may result in personal injury.
- e) **Do not overreach. Keep proper footing and balance at all times.** This enables better control of the power tool in unexpected situations.
- f) **Dress properly. Do not wear loose clothing or jewellery. Keep your hair and clothing away from moving parts.** Loose clothes, jewellery or long hair can be caught in moving parts.
- g) **If devices are provided for the connection of dust extraction and collection facilities, ensure these are connected and properly used.** Use of dust collection can reduce dust-related hazards.
- h) **Do not let familiarity gained from frequent use of tools allow you to become complacent and ignore tool safety principles.** A careless action can cause severe injury within a fraction of a second.

4) Power Tool Use and Care

- a) **Do not force the power tool. Use the correct power tool for your application.** The correct power tool will do the job better and safer at the rate for which it was designed.
- b) **Do not use the power tool if the switch does not turn it on and off.** Any power tool that cannot be controlled with the switch is dangerous and must be repaired.
- c) **Disconnect the plug from the power source and/or remove the battery pack, if detachable, from the power tool before making any adjustments, changing accessories, or storing power tools.** Such preventive safety measures reduce the risk of starting the power tool accidentally.
- d) **Store idle power tools out of the reach of children and do not allow persons unfamiliar with the power tool or these instructions to operate the power tool.** Power tools are dangerous in the hands of untrained users.
- e) **Maintain power tools and accessories. Check for misalignment or binding of moving parts, breakage of parts and any other condition that may affect the power tool's operation. If damaged, have the power tool repaired before use.** Many accidents are caused by poorly maintained power tools.

- f) **Keep cutting tools sharp and clean.** Properly maintained cutting tools with sharp cutting edges are less likely to bind and are easier to control.
- g) **Use the power tool, accessories and tool bits etc. in accordance with these instructions, taking into account the working conditions and the work to be performed.** Use of the power tool for operations different from those intended could result in a hazardous situation.
- h) **Keep handles and grasping surfaces dry, clean and free from oil and grease.** Slippery handles and grasping surfaces do not allow for safe handling and control of the tool in unexpected situations.

5) Service

- a) **Have your power tool serviced by a qualified repair person using only identical replacement parts.** This will ensure that the safety of the power tool is maintained.

Additional Safety Warnings for Jigsaws

- **Hold the power tool by insulated gripping surfaces, when performing an operation where the cutting accessory may contact hidden wiring or its own cord.** Cutting accessory contacting a "live" wire may make exposed metal parts of the power tool "live" and could give the operator an electric shock.
- **Use clamps or another practical way to secure and support the workpiece to a stable platform.** Holding the workpiece by hand or against your body leaves it unstable and may lead to loss of control.
- **Keep hands away from cutting area. Never reach underneath the workpiece for any reason.** Do not insert fingers or thumb into the vicinity of the reciprocating blade and blade clamp. Do not stabilize the saw by gripping the shoe.
- **Keep blades sharp.** Dull or damaged blades may cause the saw to swerve or stall under pressure. Always use the appropriate type of saw blade for the workpiece material and type of cut.
- **When cutting pipe or conduit, make sure that they are free from water, electrical wiring, etc.**
- **Do not touch the workpiece or the blade immediately after operating the tool.** They can become very hot.
- **Be aware of hidden hazards, before cutting into walls, floors or ceilings, check for the location of wiring and pipes.**
- **The blade will continue to move after releasing the switch.** Always switch the tool off and wait for the saw blade to come to a complete standstill before putting the tool down.

Electrical Safety

The electric motor has been designed for one voltage only. Always check that the power supply corresponds to the voltage on the rating plate.



Your DEWALT tool is double insulated in accordance with EN; therefore no earth wire is required.

If the supply cord is damaged, it must be replaced only by DEWALT or an authorised service organisation.

Using an Extension Cable

If an extension cable is required, use an approved 3-core extension cable suitable for the power input of this tool (see **Technical Data**). The minimum conductor size is 1.5 mm²; the maximum length is 30 m.

When using a cable reel, always unwind the cable completely.

Package Contents

The package contains:

- 1 Jigsaw
- 1 Jig saw blade
- 1 Anti-scratch shoe cover
- 1 Instruction manual
- Check for damage to the tool, parts or accessories which may have occurred during transport.
- Take the time to thoroughly read and understand this manual prior to operation.

Markings on Tool

The following pictograms are shown on the tool:



Read instruction manual before use.



Wear ear protection.



Wear eye protection.

Date Code Position (Fig. A)

The date code **11**, which also includes the year of manufacture, is printed into the housing.

Example:

XXXX XX XX

Year of Manufacture

Description (Fig. A)



WARNING: Never modify the power tool or any part of it. Damage or personal injury could result.

- 1 On/off switch
- 2 Lock-on button
- 3 Saw blade locking lever
- 4 Saw blade
- 5 Shoe sleeve
- 6 Shoe
- 7 Shoe beveling lever
- 8 Speed control dial
- 9 Pendulum stroke selector
- 10 Blade holder

Intended Use

Your jig saw has been designed for professional sawing applications. Your DEWALT jig saw DWE349 has

been designed for sawing wood, plastics, metal, rubber and ceramic plates

DO NOT use under wet conditions or in the presence of flammable liquids or gases.

These jigsaws are professional power tools.

DO NOT let children come into contact with the tool.

Supervision is required when inexperienced operators use this tool.

- **Young children and the infirm.** This appliance is not intended for use by young children or infirm persons without supervision.
- This product is not intended for use by persons (including children) suffering from diminished physical, sensory or mental abilities; lack of experience, knowledge or skills unless they are supervised by a person responsible for their safety. Children should never be left alone with this product.

ASSEMBLY AND ADJUSTMENTS



WARNING: To reduce the risk of serious personal injury, turn tool off and disconnect tool from power source before making any adjustments or removing/installing attachments or accessories. An accidental start-up can cause injury.

Blade Installation (Fig. B)



WARNING: When mounting the saw blade wear protective gloves. danger of injury when touching the saw blade.



WARNING: Use only T type blades. Using blades other than T type blades cause insufficient tightening of the blade, resulting in a serious personal injury.

1. Push the saw blade locking lever **3** upward.
2. With teeth facing forward, insert the shank of the saw blade into the blade holder as far as it will go.
3. Release the lever.
4. Check to ensure blade is secure before cutting. A loose saw blade can fall out and lead to injury.

Adjusting the Shoe for Bevel Cuts (Fig. C)



WARNING: Never use the tool when the shoe is loose or removed. The shoe plate can be set to a left or right bevel angle of up to 45°.

To Set the Bevel Angle

1. Pull the shoe beveling lever **7** out and away from the saw to unlock the shoe **6** as shown in Figure C.
2. Slide the shoe forward to release it from the 0° positive stop position.
3. The shoe can be beveled to the left or to the right and has detents at 15°, 30° and 45°.
4. Set the shoe to the desired bevel angle. Use a protractor to verify angle accuracy.
5. Push the shoe beveling lever back towards the saw to lock the shoe.


To Reset the Shoe for Straight Cuts

1. Pull the shoe beveling lever **7** out and away from the saw to unlock the shoe **6** as shown in Figure C.
2. Rotate shoe to an angle of approximately 0° and then pull shoe backwards to engage the 0° positive stop.
3. Push the shoe beveling lever back towards the saw to lock the shoe.



OPERATION

Instructions for Use

-  **WARNING:** Always observe the safety instructions and applicable regulations.
-  **WARNING:** To reduce the risk of serious personal injury, turn tool off and disconnect tool from power source before making any adjustments or removing/installing attachments or accessories. An accidental start-up can cause injury.

-  **WARNING:**
 - Make sure your workpiece is well secured. Remove nails, screws and other fasteners that may damage the blade.
 - Check that there is sufficient space for the blade underneath the workpiece.
 - Do not cut materials that exceed the maximum cutting depth of the blade.
 - Use sharp saw blades only. Damaged or bent saw blades must be removed immediately.
 - Do not use the tool for sawing pipes or tubes.
 - Never run your tool without a saw blade.
 - For optimal results, move the tool smoothly and constantly over the workpiece. Do not exert lateral pressure on the saw blade. Keep the shoe flat on the workpiece and lead the cord away in line with the tool. When sawing curves, circles or other round shapes, push the tool gently forward.
 - Wait until the tool has come to a standstill before removing the saw blade from the workpiece. After sawing the blade may be very hot. Do not touch.

Proper Hand Position (Fig. D)

-  **WARNING:** To reduce the risk of serious personal injury, ALWAYS use proper hand position as shown.
-  **WARNING:** To reduce the risk of serious personal injury, ALWAYS hold securely in anticipation of a sudden reaction.


Proper hand position requires one hand on the front handle **13**, with the other hand on the main handle **12**.

Switching On and Off (Fig. A)

- To switch the tool on, squeeze the trigger switch **11**.
- For continuous operation, squeeze the trigger switch then depress the lock-on button **2**. Once lock-on button is depressed, release the trigger switch.

- To switch the tool off, release the trigger switch. To switch the tool off, when in continuous operation, squeeze the trigger and the lock will disengage.

Variable Speed Control (Fig. E)


-  **WARNING:** If the tool is operated continuously at low speeds for a long time, the motor will get overload and heated up.

A speed control dial **8** is located on the top of the saw. The speed increases as the dial is turned from a low speed setting of 1 to a high speed setting of 6.

Refer to the table to select the proper speed for the workpiece to be cut. However, the appropriate speed may differ with the type or thickness of the workpiece. In general, higher speeds will allow you to cut workpieces faster but the service life of the blade will be reduced.

Material	Variable Speed Control Setting
Wood	5-6
Stainless steel	3-4
Mild steel	3-6
Aluminum	3-6
Plastics	1-4

Cutting Action – Orbital or Straight (Fig. A)

-  **WARNING:** Check that the tool is not locked ON before connecting it to a power supply. If the trigger switch is locked on when the tool is connected to the power supply, it will start immediately. Damage to your tool or personal injury may result.

This jig saw is equipped with four cutting actions, three orbital and one straight. Orbital action has a more aggressive blade motion and is designed for cutting in soft materials like wood or plastic. Orbital action provides a faster cut, but with a less smooth cut across the material. In orbital action, the blade moves forward during the cutting stroke in addition to the up and down motion.

NOTE: Metal or hardwoods should never be cut in orbital action.

Setting the Pendulum Stroke

1. Move the pendulum stroke selector **9** between the four cutting positions: 0, 1, 2, and 3.
2. Position 0 is straight cutting.
3. Positions 1, 2, and 3 are orbital cutting.

The aggressiveness of the cut increases as the lever is adjusted from one to three, with three being the most aggressive cut.

Removable Shoe Sleeve (Fig. F)

The non-marring shoe sleeve **5** should be used when cutting surfaces that scratch easily, such as laminate, veneer, or paint. It can also be used to protect the shoe surface during transportation and storage.

To attach shoe sleeve, place the front of the shoe **6** into the front of the shoe sleeve and lower the jig saw as shown in Figure F. The shoe sleeve will click securely onto the rear of the shoe.

To remove shoe sleeve, grasp the sleeve from the bottom at the two rear tabs and pull down and away from the shoe.

Hints for Optimum Use

Sawing laminates

As the saw blade cuts on the upward stroke, splintering may occur on the surface closest to the shoe plate.

Use a fine-tooth saw blade.

Saw from the back surface of the workpiece.

To minimize splintering, clamp a piece of scrap wood or hardboard to both sides of the workpiece and saw through this sandwich.

Sawing metal

- Be aware that sawing metal takes much more time than sawing wood.
- Use a saw blade suitable for sawing metal.
- When cutting thin metal, clamp a piece of scrap wood to the back surface of the workpiece and cut through this sandwich.
- Spread a film of oil along the intended line of cut for easier operation and longer blade life. For cutting aluminum, kerosene is preferred.

Rip/Circle Cutting (Fig. G, H)

Ripping and circle cutting without a pencil line is easily done with the rip fence / circle guide (not included; available at extra cost).

Using the screw supplied with the accessory guide, position and thread the screw into the shoe to clamp the fence securely.

When ripping, slide the rip fence under the screw from either side of the saw. Set the cross bar at desired distance from blade and tighten screw. For ripping, the cross bar should be down and against the straight edge of the workpiece.

When circle cutting, adjust rip fence so that distance from blade to hole in fence arm is at the desired radius and tighten screw. Place saw so that hole in fence arm is over center of circle to be cut (drill hole for blade or cut inward from edge of material to get blade into position). When saw is properly positioned, drive a small nail through hole in fence arm. Using rip fence as a pivot arm, begin cutting circle. For circle cutting, the cross bar should be up.

Maintenance

Your power tool has been designed to operate over a long period of time with a minimum of maintenance. Continuous satisfactory operation depends upon proper tool care and regular cleaning.



WARNING: To reduce the risk of serious personal injury, turn tool off and disconnect tool from power source before making any adjustments or removing/installing attachments or accessories. An accidental start-up can cause injury.



Lubrication

Your power tool requires no additional lubrication



Cleaning



WARNING: Blow dirt and dust out of the main housing with dry air as often as dirt is seen collecting in and around the air vents. Wear approved eye protection and approved dust mask when performing this procedure.



WARNING: Never use solvents or other harsh chemicals for cleaning the non-metallic parts of the tool. These chemicals may weaken the materials used in these parts. Use a cloth dampened only with water and mild soap. Never let any liquid get inside the tool; never immerse any part of the tool into a liquid.

Optional Accessories



WARNING: Since accessories, other than those offered by DEWALT, have not been tested with this product, use of such accessories with this tool could be hazardous. To reduce the risk of injury, only DEWALT recommended accessories should be used with this product.

Consult your dealer for further information on the appropriate accessories.

Protecting the Environment



Separate collection. Products marked with this symbol must not be disposed of with normal household waste.

Products contain materials that can be recovered or recycled reducing the demand for raw materials.

Please recycle electrical products according to local provisions. Further information is available at www.2helpU.com.

AFTER SERVICE AND REPAIR

DEWALT service centers are staffed with trained personnel to provide customers with efficient and reliable product service. We do not take any responsibility when you have repaired in unauthorized service center. You can refer to the leaflet of CONTACT CENTER LOCATOR in product package and contact us through hotline, website or social media to find the nearest DEWALT service center around you.

曲线锯

DWE349

恭喜!

感谢您选购 DeWALT 工具。凭借多年的产品开发和创新能力，DeWALT 已经成为专业电动工具用户最可靠的合作伙伴之一。

技术参数

		DWE349
电压	V_{AC}	220
功率输出	W	650
频率	Hz	50
空载转速	/分	500-3200
冲程长度	毫米	20
斜角调整	l/r	0-45°
重量	千克	2.4
在材料中的切割深度:		
木材	毫米	85
铝	毫米	20
钢材 (非合金)	毫米	10



警告: 为降低伤害风险, 请阅读使用手册。

定义: 安全指南

下列定义描述了各标志术语的严重程度。请仔细阅读本手册, 并注意这些标志。



危险: 表示存在紧急危险情况, 如果不加以避免, 将导致死亡或严重伤害。



警告: 表示存在潜在的危险情况, 如果不加以避免, 可能导致死亡或严重伤害。



小心: 表示存在潜在的危险情况, 如果不加以避免, 可能导致轻度或中度伤害。

注意: 表示存在不涉及人身伤害的情况, 若如果不加以避免, 可能导致财产损失。



表示存在触电风险。



表示存在火灾风险。

电动工具通用安全警告



警告! 阅读随电动工具提供的所有安全警告、说明、图示和规定。不遵照以下所列说明会导致电击、着火和/或严重伤害。

保存所有警告和说明书以备查阅。

警告中的术语“电动工具”指市电驱动(有线)电动工具或电池驱动(无线)电动工具。

1) 工作场地的安全

- 保持工作场地清洁和明亮。杂乱和黑暗的场地会引发事故。
- 不要在易爆环境, 如有易燃液体、气体或粉尘的环境下操作电动工具。电动工具产生的火花会点燃粉尘或气体。
- 操作电动工具时, 远离儿童和旁观者。注意力不集中会使你失去对工具的控制

2) 电气安全

- 电动工具插头必须与插座相配。绝不能以任何方式改装插头。需接地的电动工具不能使用任何转换插头。未经改装的插头和相配的插座将降低电击风险。
- 避免人体接触接地表面, 如管道、散热片和冰箱。如果你身体接触接地表面会增加电击风险。
- 不得将电动工具暴露在雨中或潮湿环境中。水进入电动工具将增加电击风险。
- 不得滥用软线。绝不能用软线搬运、拉动电动工具或拔出其插头。使软线远离热源、油、锐边或运动部件。受损或缠绕的软线会增加电击风险。
- 当在户外使用电动工具时, 使用适合户外使用的延长线。适合户外使用的电线将降低电击风险。
- 如果无法避免在潮湿环境下操作电动工具, 应使用带有剩余电流装置(RCD)保护的电源。RCD的使用可降低电击风险。

3) 人身安全

- 保持警觉, 当操作电动工具时关注所从事的操作并保持清醒。当你感到疲倦, 或在有药物、酒精或治疗反应时, 不要操作电动工具。在操作电动工具时瞬间的疏忽会导致严重人身伤害。
- 使用个人防护装置。始终佩戴护目镜。防护装置, 诸如适当条件下使用防尘面具、防滑安全鞋、安全帽、听力防护等装置能减少人身伤害。
- 防止意外启动。在连接电源和/或电池包、拿起或搬运工具前确保开关处于关断位置。手指放在开关上搬运工具或开关处于接通时通电会导致危险。
- 在电动工具接通之前, 拿掉所有调节钥匙或扳手。遗留在电动工具旋转零件上的扳手或钥匙会导致人身伤害。
- 手不要过分伸展。时刻注意立足点和身体平衡。这样能在意外情况下能更好地控制住电动工具。
- 着装适当。不要穿宽松衣服或佩戴饰品。让你的头发和衣服远离运动部件。宽松衣服、配饰或长发可能会卷入运动部件。

- g) 如果提供了与排屑、集尘设备连接用的装置,要确保其连接完好且使用得当。使用集尘装置可降低尘屑引起的危险。
- h) 不要因为频繁使用工具而产生的熟悉感而掉以轻心,忽视工具的安全准则。某个粗心的动作可能在瞬间导致严重的伤害。

4) 电动工具使用和注意事项

- a) 不要勉强使用电动工具,根据用途使用合适的电动工具。选用合适的按照额定值设计的电动工具会使你工作更有效、更安全。
- b) 如果开关不能接通或关断电源,则不能使用该电动工具。不能通过开关来控制的电动工具是危险的且必须进行修理。
- c) 在进行任何调节、更换附件或贮存电动工具之前,必须从电源上拔掉插头和/或卸下电池包(如可拆卸)。这种防护性的安全措施降低了电动工具意外起动的风险。
- d) 将闲置不用的电动工具贮存在儿童所及范围之外,并且不允许不熟悉电动工具和不了解这些说明的人操作电动工具。电动工具在未经培训的使用者手中是危险的。
- e) 维护电动工具及其附件。检查运动部件是否调整到位或卡住,检查零件破损情况和影响电动工具运行的其他状况。如有损坏,应在使用前修理好电动工具。许多事故是由维护不良的电动工具引发的。
- f) 保持切削刀具锋利和清洁。维护良好地有锋利切削刃的刀具不易卡住而且容易控制。
- g) 按照使用说明书,并考虑作业条件和要进行的作业来选择电动工具、附件和工具的刀头等。将电动工具用于那些与其用途不符的操作可能会导致危险情况。
- h) 保持手柄和握持表面干燥、清洁,不得沾有油脂。在意外的情况下,湿滑的手柄不能保证握持的安全和对工具的控制。

5) 维修

- a) 由专业维修人员使用相同的备件维修电动工具。这将保证所维修的电动工具的安全。

针对曲线锯的附加安全警告

- 当在切割附件有可能切割到暗线或工具上的电线的场所进行操作时,只能通过绝缘握持面来握住电动工具。切割附件碰到一根带电导线可能会使电动工具的外露金属零件带电,并让操作者面临电击危险。
- 使用夹具或其他实用的方法,将工件固定、支撑到稳定的平台上。手持或用身体顶住工件都是不稳定的,会导致操作失控。
- 请让双手远离切割区域。不要因为任何理由将手伸到工件下方。不可将手指或大拇指塞到转动锯片和锯片夹的附近区域。不得通过紧握底座来稳定曲线锯。
- 保持锯片锋利。钝化或受损的锯片可能会让曲线锯在压力下突然转向或停滞。务必根据工件材料来选用适当的锯片类型或切割类型。
- 如需切割管道或导管,请确保管中没有水、电线等。
- 请勿在运行工具后,用手触碰工件或锯片。它们可能会发烫。
- 在墙面、地板或天花板上切割之前,请检查电线和管道位置,注意隐藏的危险。
- 在松开开关后,锯片会一直移动。务必先关闭工具,等待锯片完全停止,然后再放下工具。

电气安全

电机只适用一种工作电压。请务必检查电源电压是否是铭牌上的电压一致。



DEWALT 充电器符合 EN 双重绝缘要求,因此无需使用接地线。

如果电源线受损,只能由DEWALT或授权维修中心负责更换。

使用延长线

如果需要延长线,请使用经过批准、适合本工具输入功率的三线芯延长线(参见技术数据)。最小导线尺寸为1.5 mm²;最大长度为30 m。使用电缆卷筒时,请务必拉出所有的电缆。

包装内的物品

包装内的物品包括:

- 1 把曲线锯
- 1 个锯片
- 1 个防擦伤底板护套
- 1 本说明手册
- 检查工具、部件或附件是否在运输过程中损坏。
- 操作前,请抽空仔细阅读并掌握本手册。

工具上的标记

工具有以下图画文字:



使用前请阅读使用手册。



请佩戴听力保护器。



请佩戴护目装备。

日期代码位置(图 A)

包含制造年份的日期码 11, 打印在工具外壳上。

示例:

XXXX XX XX
制造年份

说明(图 A)




警告:切勿改装本电动工具或其任何部件,否则可能会导致损坏或人身伤害。

- 1 开关
- 2 锁定按钮
- 3 锯片锁定杆
- 4 锯片
- 5 底座套
- 6 底座
- 7 扳手
- 8 调速盘
- 9 钟摆冲程选择器
- 10 锯片固定器

设计用途

您的曲线锯被设计用于专业用途。您的DeWALT曲线锯DWE349被设计用于切割木材、塑料、金属、橡胶和陶瓷片。


请勿在潮湿环境中，或在存在易燃液体或气体的环境中使用本工具。

 本曲线锯是专业型电动工具。


请勿让儿童接触本工具。缺乏经验的操作人员需要在监督下使用本工具。


- **儿童和体弱者。**在没有他人监督的情况下，儿童或体弱者不宜使用本产品。
- 本产品不适合体力、感官或智力不足以及缺乏经验、知识或技能的人员（包括儿童）使用，除非一旁有能为他们的安全负责的监督人员。不得在无人监管的情况下让儿童接触本产品。

组装与调整

 **警告：为降低造成严重人身伤害的风险，在进行任何调整、拆卸或安装附件或配件前，切记关闭工具并断开工具电源。**意外启动可能会导致人身伤害。


锯片安装 (图 B)

 **警告：**在安装锯片时，请戴好保护手套。在触碰锯片时存在受伤风险。

 **警告：**仅使用T型锯片。使用非T型锯片会导致锯片安装不牢，从而造成严重人身伤害。

1. 向上推动锯片 **3** 锁定杆。
2. 让锯齿朝前，将锯片长柄完全插入锯片托槽。
3. 松开锁定杆。
4. 进行检查，确保锯片安装牢固，然后再开始切割。如果锯片松动，可能会脱落，导致受伤。

调整底座，进行斜边切割 (图 C)

 **警告：**如果底座松动或被取下，则不可使用该工具。底座板可以设置成最大45°的左侧或右侧斜切角。

要设定斜切角


1. 将扳手 **7** 从曲线锯中拉出，解锁底座 **6**，如图C所示。
2. 向前滑动底座，将其从0°前挡位置松开。
3. 底座可以向左或向右倾斜，同时在15°、30°和45°位置有止动器。
4. 将底座设定到理想的斜切角。用量角器来验证角度的准确性。
5. 将底座斜角规尺推回到曲线锯上，锁定底座。


重设底座，进行直线切割

1. 将底座斜角规尺 **7** 从曲线锯中拉出，解锁底座 **6** 如图C所示。
2. 将底座转动到大约0°位置，然后向后拉动底座到0°前挡位置。
3. 将底座斜角规尺推回到曲线锯上，锁定底座。

操作

使用说明


 **警告：**务必遵守安全指示和适用法规。


 **警告：**为降低造成严重人身伤害的风险，在进行任何调整、拆卸或安装附件或配件前，切记关闭工具并断开工具电源。意外启动可能会导致人身伤害。

 **警告：**

- 确保您的工件被牢固固定。去除钉子、螺栓和其他可能会损坏锯片的紧固件。
- 进行检查，确保锯片在工件下方有足够的空间。
- 不要切割超出锯片最大切割深度的工件。
- 仅使用锋利的锯片。必须立即取下受损或弯折的锯片。
- 请勿使用该工具来切割粗管和细管。
- 请勿在没有安装锯片的情况下开启该工具。
- 如要获得最佳效果，请在工件上平滑、持续地移动该工具。切勿对锯片施加侧压力。让底座水平地摆放在工件上，同时将电线拿开，使其与工具呈一条直线。在切割拐角、圆角或其他圆弧形状时，要轻轻向前推动工具。
- 先等工具完全静止，然后再将锯片从工件中取出。在进行切割后，锯片可能会发烫。请勿触摸。

正确的双手放置位置 (图 D)

 **警告：**为了减低严重人身伤害的风险，请务必如图示那样正确放置双手。


 **警告：**为了减低造成严重人身伤害的风险，预期有突然反作用力时**务必握紧**。

双手正确的位置是一只手置于手柄的前面 **13**，另一只手握住主要手柄 **12**。

启动与关闭 (图 A)

- 要启动工具，请扣动扳机开关 **1**。
- 如需工具持续运行，扣动扳机开关，然后按下锁定按钮 **2**。按下锁定按钮后，松开扳机开关。
- 如需关闭工具电源，请松开扳机开关。在持续运行中，如需关闭工具电源，扣下扳机开关，然后锁会松开。

变速控制 (图 E)


 **警告：**如果工具长时间处于低速持续运行状态，电机超负荷并发热。

调速盘 **8** 位于曲线锯的顶部。将调速盘从低速1调到高速6，速度会增加。

请参考表格，为待切割的工件选择适当的速度。然而，根据工件不同的类型或厚度，适当的速度也会有所不同。一般来说，更高的速度能加快切割速度，但会缩短锯片的使用寿命。

材料	变速控制设定
木材	5-6
不锈钢	3-4
低碳钢	3-6
铝	3-6
塑料	1-4

切割动作——轨道或直线 (图 A)

 **警告：**进行检查，确保工具不是出于锁定“打开”的状态，然后再为其接通电源。如果在接通电源时，扳机开关被锁定，那么工具会立即启动。可能会损坏您的工具，或造成人身伤害。

该曲线锯配有4种切割动作，3种轨道切割，1种直线切割。轨道切割的锯片动作更为激烈，它被设计用于切割质地较软的材料，例如木材或塑料。轨道动作的切割速度更快，但在切割材料时，平顺度较差。在轨道动作中，锯片除了上下移动外，还会在切割冲程中向前移动。

注意：不可在金属或硬木上使用轨道动作。

设定电摆冲程

1. 在4种切割位置0, 1, 2和3之间移动电摆冲程选择器 **9**。
2. 位置0为直线切割。
3. 位置1, 2和3为轨道切割。

随着杠杆从1移动到3，切割的激烈程度会逐级递增，其中3代表最激烈的切割动作。

可拆卸的底座套 (图 F)

在切割易被刮擦的表面时，应使用耐刮的底座套 **5**，例如层压、贴皮或涂层。它也可被用来在运输和存储期间保护底座表面。

如需安装底座套，请将底座的前部 **6** 放入底座套的前部，然后将曲线锯放下，如图F所示。底座套将牢牢地卡扣在底座的后端。

要移除底座套，通过两个凸舌从底部握住套子，向下将套子从底座上拉下来。

最佳使用提示

锯切层压板

当锯片在上行冲程中进行切割时，距离底座盘最近的地方可能会出现碎裂。

使用细齿锯片。

从工件的背面进行锯切。

要将碎裂的情况降到最低，将一片碎木或硬板紧固在工件两侧，并从这个三层结构中进行锯切。

锯切金属

- 要注意，锯切金属要比锯切木材更耗时。
- 使用适合锯切金属的锯片。
- 在切割较薄的金属时，将一片碎木紧固在工件背面，并从这个三层结构中进行锯切。
- 沿着计划的切割线涂覆一层油膜，以便于操作，同时延长锯片寿命。对于铝的切割，最好使用煤油。

纵切/圆切 (图 G, H)

在没有用铅笔划线的情况下，通过锯栅/圆形导轨进行纵切和圆切会十分容易 (不包含; 需额外付费购买)。

使用随配件指南提供的螺栓，将螺栓放入底座中并旋入，将锯栅牢牢固定。

在直切时，将锯栅在螺栓下从曲线锯的任何一侧进行移动。让十字杆与锯片保持理想距离并紧固螺栓。如需进行直切，应放下十字杆并使其面对工件标尺。

在进行圆切时，调整锯栅，让锯片和锯栅臂上孔洞的距离处在一个理想的半径范围，并紧固螺栓。放置曲线锯，使锯栅臂上的孔洞位于有待切割的圆圈的中心 (为锯片钻孔，或从材料边缘向内切割，从而让锯片到位)。当锯片处于恰当位置后，从锯栅臂的孔洞中打入一颗小钉子。将锯栅作为一个支轴臂，开始进行圆切。进行圆切时，应该抬起十字杆。

维护

您的电动工具设计精良，可以长期使用，仅需极少维护。要持续获得令人满意的工作效果，需要进行合适的工具维护和定期清洁。



警告：为降低造成严重人身伤害的风险，在进行任何调整、拆卸或安装附件或配件前，**务必关闭工具并断开工具电源。**意外启动可能会导致人身伤害。



润滑

本电动工具无需另行润滑。



清洁



警告：一旦看到通风口及其周围积聚了尘屑，请用干燥的空气将灰尘和尘屑从主机外壳内吹出。执行此过程时，需戴上经认可的护目装备和防尘面具。



警告：请勿使用溶剂或其它刺激性化学制品来清洁工具的非金属部件。这些化学物质可能会削弱这些部位使用的材料。请用布蘸温和的肥皂水擦拭。切勿让任何液体渗入工具，切勿让工具的任何部件浸在液体中。

可选配件



警告：除了DeWALT提供的附件之外，其他附件都未经此产品兼容性测试，若将此类附件与本工具一起使用将存在安全隐患。为降低人身伤害风险，本产品只可使用DeWALT推荐的附件。

请向您的经销商咨询更多关于合适附件的信息。

保护环境



分类回收。由此符号标记的产品和电池不得与普通家庭垃圾一起处理。

产品和电池包含可恢复或回收的材料，从而降低对原材料的需求。请根据当地供给回收电子产品和电池。要获得更多信息，请参看 www.2helpU.com。

售后服务和维修

DeWALT维修中心拥有经过培训的人员，能够为顾客提供充分、可靠的产品服务。如果您通过未获授权的维修中心进行维修，我们不会承担任何责任。您可以参见产品包装中的“联系中心定位器”宣传单页，通过热线电话、网站或社交媒体联系我们，找到距离您最近的DeWALT服务中心。

制造商：百得美国公司

地址：701 E Joppa Rd, TW050 MD21286, Towson, 美国

产地：江苏南通

線鋸機

DWE349

恭喜!

感謝您選購DeWALT工具。憑藉多年的經驗、完善的產品開發與創新，DeWALT已成為專業電動工具使用者最可靠的合作夥伴之一。台灣上市之得偉產品規格，技術資料，訊息，以繁體中文說明為主。

技術資料

		DWE349
電壓	V _{AC}	110
功率輸出	W	650
頻率	Hz	60
空載轉速	/分	500-3200
衝程長度	毫米	20
斜角調整	l/r	0-45°
重量	千克	2.4

在材料中的切割深度：

木材	毫米	85
鋁	毫米	20
鋼材 (非合金)	毫米	10



警告：為了降低受傷的風險，必須仔細閱讀使用手冊。

定義：安全指南

以下定義描述了每一個詞彙的嚴重程度。請閱讀本手冊並注意這些符號。



危險：表示緊急危險狀況，若未能避免，將導致**死亡**或**嚴重傷害**。



警告：表示潛在危險情況，若未能避免，可能導致**死亡**或**嚴重傷害**。



小心：表示潛在危險情況，若未能避免，可能導致**輕微**或**中度傷害**。

注意：表示一種**非人身傷害**的行為，若未能避免，可能導致**財產損失**。



表示觸電危險。



表示火災危險。

電動工具一般安全警告



警告！請閱讀安全警告及所有指示。不遵循下列的這些警告和指示可能會導致觸電、火災及/或嚴重傷害。

請保存所有警告與指示以備將來查閱。

以下列示所有警告中的術語「電動工具」是指電源驅動(插電)電動工具或電池驅動(充電)電動工具。

1) 工作場地安全

- 請保持工作場地清潔明亮。混亂或黑暗的場地會引發事故。
- 請勿在易爆環境，如有易燃液體、氣體或粉塵的環境中操作電動工具。電動工具產生的火花可能會引燃粉塵或煙霧。
- 請等待兒童和旁觀者離開之後才操縱電動工具。分心會導致您疏於控制。

2) 電氣安全

- 電動工具插頭必須與插座相符。切勿以任何方式改裝插頭。需接地的電動工具不能使用任何配接器插頭。使用未經改裝的插頭與相符的插座可降低觸電風險。
- 避免人體接觸接地表面，如管道、散熱片、爐灶和冰箱。若您的人身接地，會提高觸電的風險。
- 不得將電動工具暴露在雨中或潮濕環境中。水進入電動工具會提高觸電風險。
- 切勿濫用電線。請勿使用電線來搬運、拉動電動工具或拔出插頭。讓電線遠離熱、油、銳邊和活動部件。受損或纏繞的電線會增加觸電危險。
- 若要在戶外使用電動工具，請使用適合戶外使用的延長電線。採用適合室外使用的電線可降低觸電危險。
- 若必須在潮濕環境中操作電動工具，請使用受漏電保護器(RCD)保護的電源供應器。使用RCD可降低觸電風險。

3) 人身安全

- 保持警覺；在操作電動工具時，請留意所執行的操作並按照一般的程式執行。請勿在疲倦或在受到毒品、酒精或藥品的影響時使用電動工具。操作電動工具時，一時的注意力分散可能會導致嚴重人身傷害。
- 使用個人防護裝置。始終佩戴護目裝置。防護設備(例如在適當條件下使用的防護面盾、防滑安全鞋、安全帽或聽力保護裝置)可減少人身傷害。
- 避免意外啟動。連接電源及/或電池組、舉抬或搬運電動工具之前，請確定開關處於關閉位置。若搬運電動工具時將手指放在開關上，或在電動工具開關開放時將插頭插入電源插座，這兩種行為都會引發事故。
- 啟動電動工具之前，請卸下所有的調整鑰匙或扳手。遺留在電動工具旋轉部件上的扳手或鑰匙會導致人身傷害。
- 不要過度伸張雙手。時刻注意腳下與身體的平衡。如此可在意外情況下更好地控制電動工具。
- 適當穿著。請勿穿寬鬆衣服或佩戴飾品。讓您的頭髮、衣服和手套遠離活動部件。寬鬆衣服、佩飾或長髮可能會捲入活動部件中。
- 若配備用於連接排屑裝置、集塵設備的裝置，請確定正確連接和使用這些裝置。使用集塵設備可減少與粉塵有關的危險。

- h) 請勿因頻繁使用而對工具特別熟悉，讓你變得自滿而忽略工具的安全原則。粗心操作可以在片刻間造成嚴重傷害。

4) 電動工具的使用與注意事項

- a) 請勿超負荷使用電動工具。請根據您的應用使用正確的電動工具。若使用的電動工具正確無誤，該工具能以設計額定值更有效、更安全地執行工作。
- b) 若開關不能開啟或關閉電源，切勿使用該電動工具。若開關無法控制電動工具，則電動工具存在危險，必須予以維修。
- c) 在執行任何調整、更換配件或儲存工具之前，必須從電源上拔掉插頭及/或卸下電池組。此類防護性安全措施可降低電動工具意外啟動的風險。
- d) 將閒置的電動工具儲存在兒童無法接觸的地方，並且不要讓不熟悉電動工具或對這些使用指示不瞭解的人員操作電動工具。未經訓練的使用者操作電動工具會發生危險。
- e) 維護電動工具。檢查活動部件是否對準或卡住、是否存在任何破損情況，或任何能影響電動工具運行的其他情況。若有損毀，必須在使用之前修理電動工具。許多事故都是由於電動工具欠缺維護所導致。
- f) 保持切削工具鋒利和清潔。妥善維護、刀刃鋒利的刀具卡住的可能性更低，更易於控制。
- g) 使用電動工具、配件和工具刀頭等時，請遵循這些指示使用，且指示須包含工作環境和所要執行工作的注意事項。若使用電動工具執行與設計用途不相符的操作，會導致危險。
- h) 手柄和抓握表面都應保持乾燥、清潔及遠離油脂。光滑手柄和抓握表面不便在意外情況下對工具進行安全處理與控制。

5) 檢修

- a) 本電動工具必須由合格的維修人員並只採用相同的原廠零件來執行檢修。這將確保電動工具的安全性。

針對線鋸機的附加安全警告

- 如果操作中，切削配件或緊固件可能觸及暗線或工具上的電線，則要握住電動工具的絕緣握持面。切削配件如果接觸到“帶電”導線，電動工具金屬部件表面就會“帶電”，從而讓操作人員觸電。
- 請使用夾具或採取其他可行的方法，把工件牢牢地固定在穩定的平臺上。手持或用身體頂住工件都是不穩定的，會導致操作失控。
- 請讓雙手遠離切割區域。不要因為任何理由將手伸到工件下方。不可將手指或大拇指塞到轉動鋸片和鋸片夾的附近區域。不得通過緊握底座來穩定線鋸機。
- 保持鋸片鋒利。鈍化或受損的鋸片可能會讓線鋸機在壓力下突然轉向或停滯。務必根據工件材料來選用適當的鋸片類型或切割類型。
- 如需切割管道或導管，請確保管中沒有水、電線等。
- 請勿在運行工具後，用手觸碰工件或鋸片。它們可能會發燙。
- 在牆面、地板或天花板上切割之前，請檢查電線和管道位置，注意隱藏的危險。
- 在鬆開開關後，鋸片會一直移動。務必先關閉工具，等待鋸片完全停止，然後再放下工具。

電氣安全

電動馬達只適用一種電壓。請務必檢查電池組電壓是否與銘牌一致，並且確保充電器的電壓與電源電壓一致。



DEWALT 充電器符合 EN 雙重絕緣要求，因此無需使用接地線。

若電源線損壞，只能由 DEWALT 或授權維修中心負責更換。

使用延長電纜

如需要延長線，請使用經過批准、適合本工具輸入功率的三線芯延長線（請參閱技術資料）。導電體的最小橫截面尺寸為 1.5 平方公釐，最長為 30 米。

使用電纜捲筒時，每次必須把電纜完全展開。

套裝內的物件

本套裝包括：

- 1 線鋸機
 - 1 鋸片
 - 1 防擦傷底座套
 - 1 使用手冊
- 檢查集塵器、部件或附件是否在運輸過程中損壞。
 - 操作前，請抽空仔細閱讀並掌握本手冊。

工具上的標誌

工具上會附帶下列圖示：



使用前請閱讀使用手冊




請佩戴聽力保護器。



請佩戴護目鏡

日期代碼位置 (圖 A)

日期代碼  括製造年份，已經印刷在工具外殼上。

範例

XXXX XX XX

製造年份

說明 (圖 A)




警告：請勿啟動本電動工具或其任何部件，否則可能導致損壞或人身傷害。

- 1 “開/關”開關
- 2 鎖定按鈕
- 3 鋸片鎖定杆
- 4 鋸片
- 5 底座套
- 6 底座
- 7 扳手
- 8 調速盤
- 9 鐘擺衝程選擇器
- 10 鋸片固定器

設計用途

您的線鋸機被設計用於專業用途。您的 DEWALT 線鋸機 DWE349 被設計用於切割木材、塑膠、金屬、橡膠和陶瓷片。


請勿在潮濕有水或者存在易燃液體或氣體的環境下使用。

 此線鋸機是專業的電動工具。


請勿讓兒童接觸此工具。缺乏經驗的操作人員需要在監督下使用本工具。


- **幼童和體弱者。**幼童和體弱者不適合在無監督下使用本工具。
- 體力、感覺或智力不足，以及缺乏經驗、知識或技能的人員（包括兒童）不適合使用本產品，除非一旁有能為他們安全負責的監督人員。請勿讓兒童單獨接觸本工具。

裝配與調整

 **警告：**為了減低造成嚴重人身傷害的風險，在進行任何調整或取出/安裝附件或配件之前，請關閉裝置。意外啟動工具可能會造成傷害。


安裝新鋸片 (圖 B)

 **警告：**在安裝鋸片時，請戴好保護手套。在觸碰鋸片時存在受傷風險。

 **警告：**僅使用T型鋸片。使用非T型鋸片會導致鋸片安裝不牢，從而造成嚴重人身傷害。

1. 向上推動鋸片 **3** 鎖定杆。
2. 讓鋸齒朝前，將鋸片長柄完全插入鋸片托槽。
3. 鬆開鎖定杆。
4. 進行檢查，確保鋸片安裝牢固，然後再開始切割。如果鋸片鬆動，可能會脫落，導致受傷。

調整底座，進行斜邊切割 (圖 C)

 **警告：**如果底座鬆動或被取下，則不可使用該工具。底座板可以設置成最大45°的左側或右側斜切角。

要設定斜切角


1. 將扳手 **7** 從線鋸機中拉出，解鎖底座 **6**，如圖C所示。
2. 向前滑動底座，將其從0°前擋位置鬆開。
3. 底座可以向左或向右傾斜，同時在15°、30°和45°位置有止動器。
4. 將底座設定到理想的斜切角。用量角器來驗證角度的準確性。
5. 將底座斜角規尺推回到線鋸機上，鎖定底座。


重設底座，進行直線切割


1. 將底座斜角規尺 **7** 從線鋸機中拉出，解鎖底座 **6**，如圖C所示。
2. 將底座轉動到大約0°位置，然後向後拉動底座到0°前擋位置。
3. 將底座斜角規尺推回到線鋸機上，鎖定底座。

操作

使用說明


 **警告：**務必遵守安全指示和適用的規則。


 **警告：**若要降低嚴重人身傷害的風險，請在運輸、進行調整、清潔、維修或卸下/安裝附件或配件之前，關閉工具並取出電池組或電源供應器。意外啟動工具可能會造成傷害。

-  **警告：**
- 確保您的工件被牢固固定。去除釘子、螺栓和其他可能會損壞鋸片的緊固件。
 - 進行檢查，確保鋸片在工件下方有足夠的空間。
 - 不要切割超出鋸片最大切割深度的工件。
 - 僅使用鋒利的鋸片。必須立即取下受損或彎折的鋸片。

- 請勿使用該工具來切割粗管和細管。
- 請勿在沒有安裝鋸片的情況下開啟該工具。
- 如要獲得最佳效果，請在工件上平滑、持續地移動該工具。切勿對鋸片施加側壓力。讓底座水準地擺放在工件上，同時將電線拿開，使其與工具呈一條直線。在切割拐角、圓圈或其他圓弧形狀時，要輕輕向前推動工具。
- 先等工具完全靜止，然後再將鋸片從工件中取出。在進行切割後，鋸片可能會發燙。請勿觸摸。

正確的雙手放置位置 (圖 D)

 **警告：**為降低遭受嚴重人身傷害的風險，務必如圖示那樣正確放置雙手。


 **警告：**為了減低造成嚴重人身傷害的風險，預期有突然反應時務必握緊。

正確的雙手放置位置是將一隻手放在主手柄 **13** 上。另一隻手握住主要手柄 **12**。

啟動與關閉 (圖 A)

- 要啟動工具，請扣動扳機開關 **1**。
- 如需工具持續運行，扣動扳機開關，然後按下鎖定按鈕 **2**。按下鎖定按鈕後，鬆開扳機開關。
- 如需關閉工具電源，請鬆開扳機開關。在持續運行中，如需關閉工具電源，扣下扳機開關，然後鎖會鬆開。

變速控制 (圖 E)


 **警告：**如果工具長時間處於低速持續運行狀態，電機會超負荷並發熱。

調速盤 **8** 位於線鋸機的頂部。將調速盤從低速1調到高速6，速度會增加。

請參考表格，為待切割的工件選擇適當的速度。然而，根據工件不同的類型或厚度，適當的速度也會有所不同。一般來說，更高的速度能加快切割速度，但會縮短鋸片的使用壽命。

材料	變速控制設定
木材	5-6
不銹鋼	3-4
低碳鋼	3-6
鋁	3-6
塑膠	1-4

切割動作——軌道或直線 (圖 A)

 **警告：**進行檢查，確保工具不是出於鎖定“打開”的狀態，然後再為其接通電源。如果在接通電源時，扳機開關被鎖定，那麼工具會立即啟動。可能會損壞您的工具，或造成人身傷害。

該線鋸機配有4種切割動作，3種軌道切割，1種直線切割。軌道切割的鋸片動作更為激烈，它被設計用於切割質地較軟的材料，例如木材或塑膠。軌道動作的切割速度更快，但在切割材料時，平順度較差。在軌道動作中，鋸片除了上下移動外，還會在切割衝程中向前移動。

注意：不可在金屬或硬木上使用軌道動作。

設定鐘擺衝程

1. 在4種切割位置0, 1, 2和3之間移動鐘擺衝程選擇器 **9**。
2. 位置0為直線切割。

3. 位置1, 2和3為軌道切割。

隨著桿杆從1移動到3, 切割的激烈程度會逐級遞增, 其中3代表最激烈的切割動作。

可拆卸的底座套 (圖 F)

在切割易被刮擦的表面時, 應使用耐刮的底座套 5, 例如層壓、貼皮或塗層。它也可被用來在運輸和存儲期間保護底座表面。

如需安裝底座套, 請將底座的前部 6 放入底座套的前部, 然後將線鋸機放下, 如圖F所示。底座套將牢牢地卡扣在底座的後端。

要移除底座套, 通過兩個凸舌從底部握住套子, 向下將套子從底座上拉下來。

最佳使用提示

鋸切層壓板

當鋸片在上行衝程中進行切割時, 距離底座盤最近的地方可能會出現列成碎片的可能。

使用細齒鋸片。

從工件的背面進行鋸切。

要將列成碎片的情況降到最低, 將一片碎木或硬板緊固在工件兩側, 並從這個三層結構中進行鋸切。

鋸切金屬

- 要注意, 鋸切金屬要比鋸切木材更耗時。
- 使用適合鋸切金屬的鋸片。
- 在切割較薄的金屬時, 將一片碎木緊固在工件背面, 並從這個三層結構中進行鋸切。
- 沿著計畫的切割線塗覆一層油膜, 以便於操作, 同時延長鋸片壽命。對於鋁的切割, 最好使用煤油。

縱切/圓切 (圖 G, H)

在沒有用鉛筆劃線的情況下, 通過鋸柵/圓形導軌進行縱切和圓切會十分容易 (不包含; 需額外付費購買)。

使用隨配件指南提供的螺栓, 將螺栓放入底座中並旋入, 將鋸柵牢牢固定。

在直切時, 將鋸柵在螺栓下從線鋸機的任何一側進行移動。讓十字杆與鋸片保持理想距離並緊固螺栓。如需進行直切, 應放下十字杆並使其面對工件尺規。

在進行圓切時, 調整鋸柵, 讓鋸片和鋸柵臂上孔洞的距離處在一個理想的半徑範圍, 並緊固螺栓。放置線鋸機, 使鋸柵臂上的孔洞位於有待切割的圓圈的中心 (為鋸片鑽孔, 或從材料邊緣向內切割, 從而讓鋸片到位)。當鋸片處於恰當位置後, 從鋸柵臂的孔洞中釘入一顆小釘子。將鋸柵作為一個支軸開始, 開始進行圓切。進行圓切時, 應該抬起十字杆。

維護

DeWALT 電動工具採用卓越的設計, 能夠長時間使用, 並且只需最少的維護。若要持續獲得滿意的操作效果, 需進行正確的工具維護和定期的清潔。



警告: 為了減低造成嚴重人身傷害的風險, 在進行任何調整或卸下或安裝附件或配件之前, 切記關掉工具的電源並取出電池組。意外啟動工具可能會造成傷害。



潤滑

本電動工具毋需額外潤滑。



清潔



警告: 一旦通風口及其周圍積聚可見的粉塵, 請立即使用乾燥的壓縮空氣吹掉主機外殼內的粉塵和灰塵。執行此步驟時, 請佩戴經認可的護目裝備和防護面罩。



警告: 切勿使用溶劑或其他刺激性化學品來清潔工具的非金屬部件。這些化學品可能會削弱部件中使用的材料。只能使用抹布蘸中性肥皂水進行清潔。不要讓任何液體進入工具; 不要讓工具的任何部分浸入液體中。

選購配件



警告: 由於非DeWALT所提供的配件未在本產品上進行過使用測試, 在本產品上使用這些附件可能發生危險。為降低傷害危險, 在本產品上只應使用DeWALT所推薦的配件。

如需進一步瞭解適用配件的相關資訊, 請洽詢當地代理商。

保護環境



分類回收。帶有此標誌的產品和電池必須與一般家庭廢物分開處置。

產品和電池包含可重複使用或回收的材料, 可降低對原材料的需求。請根據當地法規回收電氣產品和電池。更多資訊, 請造訪 www.2helpU.com。

售後服務和維修

DeWALT 維修中心擁有經過培訓的人員, 能夠為顧客提供充分、可靠的產品服務。如果您通過未獲授權的維修中心進行維修, 我們不會承擔任何責任。您可以參見產品包裝中的“聯繫中心定位器”宣傳單頁, 通過熱線電話、網站或社交媒體聯繫我們, 找到距離您最近的 DeWALT 服務中心。

設備名稱 Equipment name: 線鋸機						
型號(型式) Type designation (Type): DWE349						
單元 Unit	限用物質及其化學符號 Restricted substances and its chemical symbols					
	鉛 Lead (Pb)	汞 Mercury (Hg)	鎘 Cadmium (Cd)	六價鉻 Hexavalent chromium (Cr ^{VI})	多溴聯苯 Polybrominated biphenyls (PBB)	多溴二 苯醚 Polybrominated diphenyl ethers (PBDE)
外殼	○	○	○	○	○	○
馬達	○	○	○	○	○	○
電源線	○	○	○	○	○	○
電源 開關	○	○	○	○	○	○
內部 配線	○	○	○	○	○	○
電源板	○	○	○	○	○	○
<p>備考1. "超出0.1 wt %" 及 "超出0.01 wt %" 係指限用物質之百分比含量超出百分比含量基準值。</p> <p>Note 1: "Exceeding 0.1 wt %" and "exceeding 0.01 wt %" indicate that the percentage content of the restricted substance exceeds the reference percentage value of presence condition.</p> <p>備考2. "○" 係指該項限用物質之百分比含量未超出百分比含量基準值。</p> <p>Note 2: "○" indicates that the percentage content of the restricted substance does not exceed the percentage of reference value of presence.</p> <p>備考3. "-" 係指該項限用物質為排除項目。</p> <p>Note 3: The "-" indicates that the restricted substance corresponds to the exemption.</p>						

進口商: 新加坡商百得電動工具(股)公司台灣分公司

地址: 台北市士林區德行西路 33 號 2 樓

總經銷商: 永安實業股份有限公司

地址: 新北市三重區新北大道二段 137 號

電話: 02-2999463

유선 직쏘

DWE349

축하합니다!

DeWALT 공구를 선택해 주셔서 감사합니다. DeWALT는 오랜 경험을 토대로 한 제품 개발 및 혁신을 통해 전문 사용자들이 가장 인정하는 기업으로 자리잡아 왔습니다.

기술 데이터

		DWE349
전압	V _{ac}	220
전원 출력	W	650
주파수	Hz	60
무부하 속도	/분	500-3200
스트로크 길이	mm	20
경사각 조정	l/r	0-45°
무게	kg	2.4
절삭 길이:		
목재	mm	85
알루미늄	mm	20
스틸 (비 합금)	mm	10



경고: 부상 위험을 줄이려면 사용 설명서를 읽으십시오.

정의: 안전 지침

다음 정의는 각 경고 문구의 심각도를 설명합니다. 사용 설명서를 읽고 다음 기호들에 유의하십시오.



위험: 절박한 위험 상태를 나타내며, 방지하지 않으면, 사망 또는 심각한 부상을 초래합니다.



경고: 잠재적 위험 상태를 나타내며, 방지하지 않으면 사망 또는 심각한 부상을 초래할 수 있습니다.



주의: 잠재적으로 위험한 상태를 나타내며, 방지하지 않으면 경미하거나 가벼운 부상을 초래할 수 있습니다.

참고: 신체 부상을 초래하지 않는 행위를 나타내며 방지하지 않으면 재산상의 손해가 발생할 수 있습니다.



감전 위험을 나타냅니다.



화재 위험을 나타냅니다

전동 공구에 관한 일반 안전 경고



경고: 이 전동 공구와 함께 제공되는 모든 안전 경고와 지시사항, 설명 및 사양을 읽으십시오. 아래 설명한 모든 지시 사항을 따르지 않으면, 전동, 화재 및/또는 심각한 부상을 초래할 수 있습니다.

항후 참고할 수 있도록 모든 경고 및 지시 사항을 보관해두십시오.

경고에서 사용된 "전동 공구"라는 용어는 주 공급 전원에 의해 전기가 공급되는(유선) 전동 공구 또는 충전식(무선) 전동 공구를 의미합니다.

1) 작업장 안전

- 작업장을 항상 청결하고 밝게 유지하십시오. 혼잡하거나 어두운 작업장에서는 사고가 발생하기 쉽습니다.
- 가연성 액체, 가스 또는 먼지 등이 있는 폭발성 대기에서 전동 공구를 사용하지 마십시오. 전동 공구에서 먼지나 가스를 발사시킬 수 있는 불꽃이 될 수 있습니다.
- 전동 공구로 작업하는 동안에는 어린이와 주변 사람들이 작업 영역에 가까이 들어오지 못하도록 하십시오. 주변이 산만해져 통제력을 잃을 수 있습니다.

2) 전기 안전

- 동공구의 플러그는 콘센트와 형식이 일치해야 하며, 플러그를 어떤 형태로든 개조하지 마십시오. 또한 접지된 전동공구에 다른 어댑터 플러그를 사용하지 마십시오. 개조되지 않은 플러그 및 형식이 일치하는 콘센트를 사용하면 감전 위험이 줄어듭니다.
- 파이프 끈, 라디에이터, 렌즈, 냉장고 등의 접지 표면에 물이 닿지 않도록 하십시오. 물에 닿을 경우 감전이 될 위험이 높아집니다.
- 전동 공구를 비 또는 습한 환경에 노출하지 않도록 주의하십시오. 전동 공구에 물이 들어가면 감전 위험이 높아집니다.
- 코드를 함부로 다루지 마십시오. 코드를 사용하여 전동공구를 운반하거나, 코드를 과도하게 잡아당겨서 플러그를 뽑지 않도록 주의하십시오. 전열코드가 열기 또는 오일과 접촉되는 것을 피하고, 날카로운 모서리 또는 기기의 기동 부위에 닿지 않도록 주의 하십시오. 코드가 손상되거나 열혀 있으면 감전 위험이 높아집니다.
- 전동 공구를 실외에서 사용할 때는 실외 사용에 적합한 연장 코드를 사용하십시오. 실외 사용에 적합한 코드를 사용하면 감전 위험이 줄어듭니다.
- 전동공구를 습한 공간에서 사용할 경우, 반드시 누전 차단기를 사용하십시오. 누전 차단기(RCD)를 사용하면 감전의 위험이 줄어듭니다. RCD를 사용하면 감전 위험이 줄어듭니다.

3) 신체 안전 사항

- 전동 공구로 작업할 때는 방심하지 말고 작업에 주의하면서 상식에 따르십시오. 피곤한 상태이거나 약물, 술, 치료제를 복용한 상태에서는 전동 공구를 사용하지 마십시오. 전동 공구를 사용하다 잠깐만 한 눈을 팔아도 심각한 부상을 당할 수 있습니다.

- b) **신체 보호 장비를 착용하십시오. 항상 보안경을 착용하십시오.** 적합한 상황에서 방진 마스크, 미끄럼 방지 안전화, 안전모 또는 청력 보호 기구 등의 보호 장비를 사용하여 신체 부상 위험이 줄어듭니다.
- c) **의도하지 않은 장비 가동 방지. 전원 및/또는 배터리 팩에 연결된 상태로 공구를 선택 또는 운반할 때는 사전에 스위치가 꺼짐 위치에 있는지 반드시 확인하십시오.** 스위치가 꺼짐 위치에 있는 상태에서 스위치에 손가락이 닿은 상태로 전동 공구를 운반하거나 전동 공구에 전원을 공급하면 사고가 발생할 수 있습니다.

- d) **전동 공구를 켜기 전에 모든 조정 키 또는 렌치를 제거하십시오.** 전동 공구의 회전 부품에 렌치나 키가 부착되어 있으면 부상을 당할 수 있습니다.

- e) **무리하게 팔을 뻗지 마십시오. 항상 올바른 자세로 서서 균형을 유지하십시오.** 안정된 자세로 작업을 할 경우 전동 공구를 안전하게 사용할 수 있습니다.

- f) **적절한 의복을 착용하십시오. 헐렁한 옷이나 장신구를 착용하지 마십시오.** 머리카락과 옷이 움직이는 부품에 닿지 않도록 유의하십시오. 헐렁한 옷, 장신구 또는 긴 머리가 움직이는 부품에 걸 수 있습니다.

- g) **먼지 배출 및 집진 시설 연결을 위한 장치가 제공된 경우, 이를 장치가 연결되어 적절히 사용되고 있는지 반드시 확인하십시오.** 집진 장치를 사용하면 먼지와 관련된 위험을 줄일 수 있습니다.

- h) **장치를 자주 사용함으로써 생긴 익숙함으로 인해 현실에 안주하거나 공구 안전 원칙을 무시하지 않도록 하십시오.** 부주의한 작동은 순식간에 심각한 부상을 야기할 수 있습니다.

4) 전동 공구 사용 및 관리

- a) **전동 공구에 무리한 힘을 가하지 마십시오. 해당 용도에 맞는 올바른 전동 공구를 사용하십시오.** 올바른 전동 공구를 사용해야 설계된 속도로 작업을 더욱 안전하고 정확하게 수행할 수 있습니다.

- b) **꺼지지 않거나 꺼지지 않는 경우 전동 공구를 사용하지 마십시오.** 스위치로 제어되지 않는 전동 공구는 위험하므로 수리해야 합니다.

- c) **전동 공구를 조정하거나 액세서리를 변경하거나 보관하기 전에 전동 공구에서 분리되는 경우 전원에서 플러그를 뽑거나 또는 배터리 팩을 분리하십시오.** 이러한 예방적 안전 조치를 따라야 전동 공구가 갑자기 작동할 위험이 줄어듭니다.

- d) **사용하지 않는 전동 공구는 어린이의 손이 닿지 않는 곳에 보관하고, 전동 공구나 본 지시 사항에 익숙하지 않은 사람이 전동 공구를 절대 사용하지 못하게 하십시오.** 전동 공구는 훈련을 받지 않은 사용자가 다루면 위험합니다.

- e) **전동 공구 및 액세서리 유지 보수. 움직이는 부품의 잘못된 정렬이나 바인딩, 부품 파손 및 기타 전동 공구의 작동에 영향을 미칠 수 있는 기타 모든 상태를 확인하십시오.** 손상된 부분이 있는 경우 사용하기 전에 전동 공구를 수리하십시오. 많은 사고는 전동 공구를 제대로 유지 보수하지 않아 발생합니다.

- f) **공구를 깨끗한 상태로 유지하십시오.** 절삭 가장자리를 예리하게 잘 유지하면 절삭기를 사용할 때 바인딩이 적고 다루기가 용이합니다.

- g) **작업 환경과 수행할 작업을 고려하여, 본 지시 사항에 따라 전동 공구, 액세서리 및 톨 비트 등을 사용하십시오.** 본 사용 설명서의 내용과 다른 용도로 전동 공구를 사용하면 위험한 상황이 발생할 수 있습니다.

- h) **핸들과 잡는 표면은 건조하고 깨끗한 상태를 유지하고 오일/기름이 묻지 않도록 하십시오.** 미끄러운 핸들과 잡는 면은 예기치 못한 상황에서 안전한 취급과 공구 관리를 보장하지 않습니다.

5) 정비

- a) **작업을 갖춘 기술자가 동일 교체 부품을 사용하여 정비 작업을 수행해야 합니다.** 그레야 전동 공구의 안전이 보장됩니다.

퍼즐에 대한 추가 안전 경고

- **절단 부속품이 숨겨진 배선이나 자체 코드에 닿을 수 있는 작업을 수행할 때는 절연 그림 표면으로 전동 공구를 잡으십시오.** "실제" 와이어에 접촉하는 절단 액세서리는 전동 공구의 금속 부분이 "실제"로 노출되어 작업자에게 감전될 수 있습니다.
- **클램프 또는 바이스를 사용하여 공작물을 안정적인 플랫폼에 고정하고 지지하십시오.** 공작물을 손으로 잡거나 몸에 대면 불안정하게되어 제어력을 잃을 수 있습니다.
- **절단 영역에서 손을 멀리하십시오.** 어떤 이유로든 공작물 아래에 닿지 않도록 하십시오. 왕복 블레이드 및 블레이드 클램프 근처에 손가락이나 엄지 손가락을 넣지 마십시오. 슈를 잡고 톱을 고정시키지 마십시오.
- **날을 날카롭게 유지하십시오.** 날이 무더 지거나 손상되면 톱에 압력이 가해 지거나 멈출 수 있습니다. 항상 공작물 재료와 절단 유형에 적합한 유형의 톱날을 사용하십시오.
- **파이프나 도관을 절단할 때는 물, 전기 배선 등이 없어야 합니다.**
- **공구를 작동한 직후에 작업물이나 날을 만지지 마십시오.** 매우 뜨거워 질 수 있습니다.
- **벽, 바닥 또는 천장으로 절단하기 전에 숨겨진 위험에 주의하고 배선 및 파이프의 위치를 확인하십시오.**
- **스위치를 놓은 후에도 블레이드가 계속 움직입니다.** 공구를 내려놓기 전에 항상 공구를 끄고 톱날이 완전히 멈출 때까지 기다리십시오.

전기 안전

전기 모터는 한 가지 전압에만 맞추어 설계되었습니다. 배터리 팩 전압이 명판에 기재된 전압과 일치하는지 항상 확인하십시오.



DEWALT 공구는 EN에 따라 이중 절연되어 있습니다. 따라서 접지선이 필요하지 않습니다.

전원 코드가 손상된 경우 DEWALT 또는 공인 서비스 기관 만 교체해야 합니다.

연장 케이블 이용

연장 케이블이 필요한 경우 이 도구의 전원 입력에 적합한 승인 된 3 코어 연장 케이블을 사용하십시오 (기술 데이터 참조). 최소 도체 크기는 1.5 mm²; 최대 길이는 30m입니다.

케이블 릴을 사용할 때는 항상 케이블을 완전히 풀어주십시오.

포장 내용물

포장에는 다음 내용물이 들어 있습니다.

- 1 직쓰
- 1 톱날
- 1 슈슬리브
- 1 사용설명서
- 운반중에 발생할 수 있는 공구, 부품 또는 액세서리의 손상 여부를 확인하십시오.
- 작동 전에 시간을 내어 본 사용 설명서를 읽고 숙지하십시오

공구에 표시된 마크

다음 그림이 도구에 표시됩니다:



사용 전에 사용 설명서의 내용을 숙지하십시오.



귀 보호 장구를 착용하십시오.



보안경을 착용하십시오.

날짜 코드 위치 (그림 A)

제조 연도를 포함하는 11 날짜 코드가 하우징에 인쇄됩니다.

예:

XXXX 2020 XX XX
제조 연도

설명 (그림 A)

경고: 전동 공구 또는 전동 공구의 어떤 부품도 절대 개조하지 마십시오. 제품이 파손되거나 신체 부상을 당할 수도 있습니다.

- 1 온 / 오프 스위치
- 2 잠금 버튼
- 3 톱날 잠금 레버
- 4 톱날
- 5 슈 슬리브
- 6 슈
- 7 슈 베벨 레버
- 8 속도 조절 다이얼
- 9 진자 스트로크 선택기
- 10 블레이드 홀더

용도

지그 톱은 전문적인 톱질 작업용으로 설계되었습니다. DeWALT 지그 톱은DWE349 목재, 플라스틱, 금속, 고무 및 세라믹 플레이트 절단 용으로 설계되었습니다

절대로 습한 환경이나 가연성 액체 또는 가스가 있는 곳에서 사용하지 마십시오.

이 지그 톱은 전문적인 전동 공구입니다.

어린이가 이 공구를 만지지 않도록 하십시오. 경험이 없는 작업자가 이 공구를 사용할 때는 감독자의 지도가 필요합니다.

- **어린이 및 노약자.** 본 제품은 어린이나 노약자가 사용하도록 설계되지 않았습니다. 이러한 사람이 사용할 때는 감독이 필요합니다.

- 본 제품은 안전 책임을 맡고 있는 사람이 감독을 하고 있지 않는 한 경험, 지식 또는 기술이 부족하고 신체적, 감각적 또는 정신적 능력이 미약한 사람(어린이 포함)이 사용하도록 고안된 것이 아닙니다. 이 제품과 함께 어린이를 혼자 두지 마십시오.

조립 및 조정



경고: 심각한 신체 부상의 위험을 줄이려면 부착물 또는 액세서리를 조정하거나 제거 / 설치하기 전에 공구를 끄고 전원에서 공구를 분리하십시오. 공구가 갑자기 작동하여 부상을 당할 수 있습니다.

블레이드 설치 (그림 B)



경고: 톱날을 장착 할 때는 보호 장갑을 착용하십시오. 톱날을 만질 때 부상의 위험이 있습니다.



경고: T형 블레이드 만 사용하십시오.T형 날 이외의 날을 사용하면 날이 제대로 조여지지 않아 심각한 부상을 입을 수 있습니다.

1. 톱날 잠금 레버**3**를 위쪽으로 밀니다.
2. 톱니가 앞으로 향한 상태에서 톱날의 생크를 날 홀더에 끝까지 삽입하십시오.
3. 레버를 놓습니다.
4. 절단하기 전에 날이 고정되어 있는지 확인하십시오. 톱날이 느슨하면 부상을 입을 수 있습니다.

베벨 커트 용 슈 조정 (그림 C)



경고: 슈가 느슨하거나 제거 된 상태에서 공구를 사용하지 마십시오. 슈 플레이트는 왼쪽 또는 오른쪽 경사각으로 최대 45°로 설정할 수 있습니다.

경사각을 설정하려면

1. 슈 베벨 레버를**7**톱에서 당겨 빼내고 그림C과 같이 슈**6**를 잠금 해제하십시오.
2. 슈를 앞으로 밀어 0° 포지티브 정지 위치에서 분리합니다.
3. 슈는 왼쪽 또는 오른쪽으로 경사질 수 있으며 15°, 30° 및 45°의 멈춤 쇠가 있습니다.
4. 슈를 원하는 경사각으로 설정하십시오. 각도기를 사용하여 각도 정확도를 확인하십시오.
5. 슈 베벨 레버를 톱을 향해 다시 밀어 슈를 잠그십시오.

직선 절단을 위해 슈를 재설정하려면

1. 슈 베벨 레버를**7**톱에서 당겨 빼내고 그림C과 같이 슈**6**를 잠금 해제하십시오.
2. 슈를 약 0° 각도로 돌린 다음 슈를 뒤로 당겨 0° 포지티브 스톱에 맞춥니다.
3. 슈 베벨 링 레버를 톱을 향해 다시 밀어 슈를 잠그십시오.

조작

사용 지침



경고: 항상 안전 지시 사항과 해당 규정을 준수하십시오.



경고: 심각한 신체 부상의 위험을 줄이려면 부착물을 제거하거나 설치하기 전에 공구를 끄고 전원에서 공구를 분리하십시오. 공구가 갑자기 작동하여 부상을 당할 수 있습니다.



경고:

- 작업물이 잘 고정되어 있는지 확인하십시오. 블레이드를 손상시킬 수 있는 못, 나사 및 기타 패스너를 제거하십시오.
- 공작물 아래에 블레이드를 위한 충분한 공간이 있는지 확인하십시오.
- 블레이드의 최대 절단 깊이를 초과하는 재료를 절단하지 마십시오.
- 날카로운 톱날 만 사용하십시오. 손상되거나 구부러진 톱날은 즉시 제거해야 합니다.
- 파이프 또는 튜브를 절단하는데 이 도구를 사용하지 마십시오.
- 톱날없이 공구를 작동하지 마십시오.
- 최적의 결과를 얻으려면 공구를 공작물 위로 부드럽고 일정하게 이동하십시오. 톱날에 측면 압력을 가하지 마십시오. 슈를 작업 물에 평평하게 유지하고 공구와 일직선이 되도록 코드를 분리하십시오. 커브, 원 또는 기타 둥근 모양을 봤을 때 공구를 부드럽게 앞으로 밀니다.
- 공작물에서 톱날을 제거하기 전에 공구가 정지될 때까지 기다리십시오. 톱질 후 날이 매우 뜨거울 수 있습니다. 만지지 마십시오.

올바른 손 위치 (그림 D)



경고: 심각한 신체 부상의 위험을 줄이려면 **항상** 그림과 같이 올바르게 손을 위치하십시오.



경고: 심각한 신체 부상의 위험을 줄이려면 **항상** 급작스러운 반동을 예상하고 확실하게 잡으십시오.

올바른 손 위치를 위해서는 한 손이 앞 손잡이 **13**에 있고 다른 손이 주 손잡이에 있어야 합니다 **12**

커고 끼기 (그림 A)

- 공구를 켜려면 트리거 스위치 **1**를 꼭 쥐십시오.
- 계속 작동하려면 트리거 스위치를 누른 다음 잠금 버튼 **2**을 누르십시오. 잠금 버튼을 누르면 트리거 스위치에서 손을 놓습니다.
- 공구를 끄려면 트리거 스위치를 놓습니다. 연속 작동 상태에서 공구를 끄려면 방아쇠를 쥐면 잠금이 해제됩니다.

가변 속도 제어 (그림 E)



경고: 공구를 저속으로 장시간 연속 작동하면 모터에 과부하가 걸리고 가열됩니다.

속도 조절 다이얼 **8**은 톱의 상단에 있습니다. 다이얼을 저속 1 설정에서 고속 6 설정으로 돌리면 속도가 증가합니다.

표를 참조하여 공작물을 절단 할 적절한 속도를 선택하십시오. 그러나 적절한 속도는 공작물의 유형 또는 두께에 따라 다를 수 있습니다. 일반적으로 속도가 빠를수록 공작물을 더 빨리 절단할 수 있지만 블레이드의 수명은 단축됩니다.

재료	변속 제어 설정
목재	5-6
스테인레스	3-4
연강	3-6
알루미늄	3-6
플라스틱	1-4

절단 동작 - 궤도 또는 직선 (그림 A)



경고: 전원 공급 장치에 연결하기 전에 공구가 잠겨 있지 않은지 확인하십시오. 공구가 전원 공급 장치에 연결되어 있을 때 트리거 스위치가 잠겨 있으면 즉시 작동됩니다. 공구가 전원 공급 장치에 연결되어 있을 때 트리거 스위치가 잠겨 있으면 즉시 작동됩니다.

공구가 손상되거나 작업자가 부상을 입을 수 있습니다. 이 지그 톱에는 4 개의 절삭 동작, 3 개의 궤도 및 1 개의 직선이 장착되어 있습니다. 궤도 동작은 보다 공격적인 블레이드 동작을 가지며 목재 또는 플라스틱과 같은 부드러운 재료를 절단하도록 설계되었습니다. 궤도 동작은 더 빠른 절단을 제공하지만 재료 전체에서 덜 부드럽게 절단됩니다.

참고: 금속 또는 건목은 궤도 동작으로 절단해서는 안됩니다.

진자 스트로크 설정

1. 진자 스트로크 선택기 **9**를 4개 절단 위치 사이로 이동하십시오 : 0, 1, 2 및 3.
2. 위치 0은 직선 절단입니다.
3. 위치 1, 2 및 3은 궤도 절단입니다.

레버가 1에서 3으로 조정될 때 톱의 공격성은 증가합니다. 3이 가장 공격적인 컷입니다.

탈착식 슈 슬리브 (그림 F)

라미네이트, 베너 또는 페인트와 같이 쉽게 긁히는 표면을 절단 할 때는 손상되지 않은 슈 슬리브 **5**를 사용해야 합니다. 운송 및 보관 중에 슈 표면을 보호하는데에도 사용할 수 있습니다.

슈 슬리브를 부착하려면 슈 전면 **6**을 슈 슬리브 전면에 놓고 그림 F와 같이 지그 톱을 내립니다. 슈 슬리브가 슈 후면에 단단히 찰칵 소리를 냅니다.

슈 슬리브를 제거하려면 두 개의 후면 탭 하단에서 슬리브를 잡고 슈에서 당겨 빼냅니다.

최적의 사용을 위한 힌트

톱질 라미네이트

톱날이 상향 스트로크를자를 때 슈 플레이트와 가장 가까운 표면에서 파편이 발생할 수 있습니다.

톱니 톱날을 사용하십시오.

공작물의 후면에서 작업하십시오.

파편을 최소화하려면 스크랩 목재 또는 판자를 가공물 양쪽에 고정하고 이 샌드위치를 통해 톱질합니다.

톱질 금속

- 금속 절단은 목재 절단보다 시간이 훨씬 오래 걸립니다.
- 금속 절단에 적합한 톱날을 사용하십시오.
- 얇은 금속을 절단할 때는 고정 조각을 공작물 후면에 고정하고 이 샌드위치를 자릅니다.
- 보다 쉬운 작동과 더 긴 블레이드 수명을 위해 의도 된 절단 라인을 따라 오일 필름을 뿌립니다. 알루미늄 절단에는 등유가 바람직합니다.

립/서클 커팅 (그림 G, H)

립 펜스/서클 가이드 (별매, 추가 비용으로 제공)를 사용하면 연필 선이 없는 리프 및 원 절단이 쉽게 수행됩니다.

액세서리 가이드와 함께 제공된 나사를 사용하여 나사를 슈에 놓고 나사를 단단히 고정하십시오.

추출할 때 립 펜스를 톱의 양쪽에서 나사 아래로 미십시오. 크로스바를 블레이드에서 원하는 거리에 놓고 나사를 조입니다. 리핑하려면 크로스바가 아래로 향하고 공작물의 직선 가장자리에 닿아야 합니다.

원을 절단할 때 펜스 암의 블레이드에서 구멍까지의 거리가 원하는 반경에 있도록 립 펜스를 조정하고 나사를 조이십시오. 펜스 암의 구멍이 절단 할 원의 중심 위에 오도록 톱을 배치하십시오(블레이드 용 구멍을 뚫거나 재료의 가장자리에서 안쪽으로 절단하여 칼날을 제 위치에 놓으십시오). 톱이 올바르게 배치되면 펜스 암의 작은 구멍을 통해 작은 못을 박으십시오. 립 펜스를 피벗 암으로 사용하여 원을 자르십시오. 원 절단의 경우 크로스바가 올라와 있어야 합니다.

유지 보수

전동 공구는 최소한의 유지 보수로 장기간 작동하도록 설계되었습니다. 만족스러운 연속 작동은 적절한 공구 관리와 정기적인 청소에 따라 그 성능이 달라질 수 있습니다.



경고: 심각한 신체 부상의 위험을 줄이려면 부착물을 제거하거나 설치하기 전에 공구를 끄고 전원에서 공구를 분리하십시오. 공구가 갑자기 동하여 부상을 당할 수 있습니다.



윤활방법

전동 공구는 별도의 윤활 작업이 필요하지 않습니다



청소



경고: 동공구 속이나 주변에 먼지가 쌓여있는 것이 보이면 가능한 한 자주 건조한 공기를 이용하여 메인 하우스에서 먼지를 불어내십시오. 이 절차를 수행할 때에는 승인된 눈 보호 장구 및 승인된 방진 마스크를 착용하십시오.



경고: 공구의 비금속성 부품을 청소할 때는 용제 등의 강력한 화학약품을 절대 사용하지 마십시오. 그렇지 않으면 이러한 부분에 사용된 재료가 약해질 수 있습니다. 헹굼에 물과 순한 비누를 적셔 닦아주십시오. 공구 내부에 액체를 넣거나 공구 부품을 액체에 담그는 행동은 절대 금물입니다.

옵션 액세서리



경고: DeWALT에서 제공하는 액세서리 이외의 액세서리는 이 제품에서 테스트되지 않았으므로 이 도구와 함께 액세서리를 사용하면 위험할 수 있습니다. 부상 위험을 줄이려면 이 제품에 DeWALT 권장 액세서리 만 사용해야 합니다.

해당 액세서리에 대한 자세한 정보는 판매 대리점으로 문의하십시오.

환경 보호



분리 수거. 이 기호가 표시된 제품과 배터리를 일반 가정용 쓰레기와 함께 처리하면 안 됩니다.

제품과 배터리에는 재활용되거나 재사용되고 고철 자원에 대한 수요를 줄일 수 있는 자재가 포함되어 있습니다.

지역 규정에 따라 전기 제품을 재활용하십시오. 자세한 내용은 www.2helpU.com에서 찾아볼 수 있습니다.

정비 및 수리

DeWALT 는 고객들에게 가장 효율적이고 신뢰할 수 있는 서비스를 제공하기 위하여 훈련된 직원들로 센터를 구성하고 있습니다. 사용자의 안전 및 제품의 신뢰성을 보장하기 위하여 제품의 정비, 유지 보수 및 수리는 반드시 공인된 서비스센터에서 수행해야 합니다. 자격이 없는 곳으로부터 받은 제품의 정비 및 수리는 사용자의 부상 위험 및 불이익을 초래할 수 있습니다. 가까운 DeWALT 서비스센터의 위치를 알아보려면, 제품과 함께 동봉된 전단을 통해 전화번호, 홈페이지 주소 및 기타 연락처 등을 확인할 수 있습니다.

JIG SAW

DWE349

ขอแสดงความยินดี!

คุณได้เลือกใช้เครื่องมือของ DEWALT ด้วยประสบการณ์ที่ยาวนาน ตลอดจนการพัฒนาผลิตภัณฑ์และนวัตกรรมใหม่ๆ ทำให้ DEWALT เป็นหนึ่งในเครื่องมือไฟฟ้าที่น่าเชื่อถือที่สุดสำหรับกลุ่มผู้ใช้เครื่องมือไฟฟ้าระดับมืออาชีพ

ข้อมูลด้านเทคนิค

		DWE349
แรงดันไฟฟ้า	V _{ac}	220-240
กำลังไฟฟ้า	W	650
ความถี่	Hz	50-60
ความเร็วขณะไม่มีภาระโหลด	/min	500-3200
ความยาวช่วงชัก	mm	20
การปรับมุมเฉียง	l/r	0-45°
น้ำหนัก	kg	2.4
ความลึกของการตัดใน:		
ไม้	mm	85
อลูมิเนียม	mm	20
เหล็ก (แบบไม่อัลลอย)	mm	10



คำเตือน: เพื่อลดความเสี่ยงจากการบาดเจ็บ โปรดอ่านคู่มือการใช้งานเล่มนี้

คำจำกัดความ: ข้อแนะนำด้านความปลอดภัย

คำจำกัดความด้านล่างอธิบายถึงระดับความรุนแรงของ ความอันตรายที่ใช้เรียกสัญลักษณ์ต่างๆ โปรดอ่านคู่มือและ ใส่ใจกับสัญลักษณ์ต่างๆ เหล่านี้

! **อันตราย:** หมายถึงสถานการณ์ที่ก่อให้เกิดอันตรายได้อย่างฉับพลัน ซึ่งหากไม่ระวังจะทำให้เสียชีวิตหรือได้รับบาดเจ็บสาหัสได้

! **คำเตือน:** หมายถึงสถานการณ์ที่มีแนวโน้มว่าจะก่อให้เกิดอันตราย ซึ่งหากไม่ระวังสามารถทำให้เกิดอันตรายถึงชีวิตหรือบาดเจ็บสาหัสได้

! **ข้อควรระวัง:** หมายถึงสถานการณ์ที่มีแนวโน้มว่าจะก่อให้เกิดอันตราย ซึ่งหากไม่ระวัง อาจทำให้ได้รับบาดเจ็บเล็กน้อยหรือปานกลาง

! **ข้อสังเกต:** หมายถึงการปฏิบัติที่ไม่เกี่ยวข้องกับ การบาดเจ็บซึ่งหากไม่ระวังอาจทำให้ทรัพย์สินเสียหายได้



แสดงถึงความเสี่ยงจากการถูกไฟฟ้าช็อต



แสดงถึงอันตรายจากการเกิดเพลิงไหม้

คำเตือนเพื่อความปลอดภัยทั่วไป สำหรับการใช้อุปกรณ์ไฟฟ้า

! **คำเตือน:** อ่านคำเตือน ข้อปฏิบัติเพื่อความปลอดภัยทั้งหมด รวมทั้งภาพประกอบและข้อมูลจำเพาะที่แนบมาเกี่ยวกับเครื่องมือไฟฟ้านี้ การไม่ปฏิบัติตามคำเตือนและข้อปฏิบัติเหล่านี้อาจทำให้เกิดไฟฟ้าช็อต เกิดอัคคีภัย และ/หรือบาดเจ็บสาหัสได้

จัดเก็บเอกสารคำเตือนและคำแนะนำทั้งหมดไว้เพื่อการอ้างอิงในภายหลัง

คำว่า "เครื่องมือไฟฟ้า" ในคำเตือน หมายถึง เครื่องมือไฟฟ้า (แบบมีสาย) ที่ทำงานผ่านแหล่งจ่ายไฟหลัก หรือ เครื่องมือไฟฟ้า (แบบไร้สาย) ที่ทำงานผ่านแบตเตอรี่

1) ความปลอดภัยในบริเวณที่ทำงาน

- รักษาความสะอาดและจัดให้มีแสงสว่างเพียงพอในบริเวณที่ทำงาน บริเวณที่มีดหรือมีช่องว่าง ระเกะระกะอาจทำให้เกิดอุบัติเหตุได้
- ห้ามใช้เครื่องมือไฟฟ้าในบริเวณที่อาจเกิดการระเบิด เช่น ในสถานที่ที่มีของเหลว แก๊ส หรือฝุ่นละอองที่มีคุณสมบัติไวไฟ เครื่องมือไฟฟ้าจะทำให้เกิดประกายไฟที่อาจทำให้เกิดละอองไฟหรือเปลวไฟขึ้นได้
- ระวังไม่ให้เด็กเล็กและคนเดินผ่านไปมาเข้าใกล้ ในขณะที่ใช้งานเครื่องมือไฟฟ้า สิ่งรบกวนอาจทำให้คุณเสียสมาธิได้

2) ความปลอดภัยทางไฟฟ้า

- ปลั๊กไฟของเครื่องต้องเป็นชนิดเดียวกับตัวรับ ห้ามตัดแปลงปลั๊กไม่ว่าด้วยวิธีใด ห้ามใช้ปลั๊กอะแดปเตอร์ใดๆ กับเครื่องมือไฟฟ้าที่ต่อสายดิน (ลงกราวด์) ปลั๊กที่ไม่มีการตัดแปลงและตัวรับชนิดเดียวกันจะช่วยลดความเสี่ยงจากการเกิดไฟฟ้าช็อต
- หลีกเลี่ยงการสัมผัสพื้นผิวที่ต่อสายดินหรือลงกราวด์ เช่น ท่อ หม้อน้ำ เตาหุงต้ม และตู้เย็น มีความเสี่ยงเพิ่มขึ้นที่จะเกิดไฟฟ้าช็อตหากร่างกายเป็นสื่อเชื่อมต่อกับดินหรือลงกราวด์
- อย่าให้เครื่องมือไฟฟ้าถูกฝนหรืออยู่ในสภาพที่เปียกชื้น น้ำที่เข้าเครื่องมือไฟฟ้าจะเพิ่มความเสี่ยงในการเกิดไฟฟ้าช็อต
- ห้ามใช้สายไฟผิดวัตถุประสงค์ ห้ามใช้สายไฟเพื่อการหิ้ว ดึง หรือถอดปลั๊กเครื่องมือไฟฟ้า เก็บสายไฟให้พ้นจากความร้อน น้ำมัน ของมีคม หรือ ชิ้นส่วนที่กำลังเคลื่อนที่ สายไฟที่ชำรุดหรือพันกันเป็นการเพิ่มความเสี่ยงจากการถูกไฟฟ้าช็อต
- เมื่อใช้เครื่องมือไฟฟ้านอกอาคาร ให้ใช้สายต่อพ่วงที่เหมาะสมสำหรับการใช้งานนอกอาคาร

ใช้สายไฟที่เหมาะสมสำหรับใช้ออกอาคารจะช่วยลดความเสี่ยงต่อการเกิดไฟฟ้าช็อต

- f) หากไม่สามารถหลีกเลี่ยงการใช้เครื่องมือไฟฟ้าในบริเวณที่ชื้นและได้ ให้ใช้อุปกรณ์ป้องกันไฟดูด (RCD) การใช้ RCD จะช่วยลดความเสี่ยงในการถูกไฟฟ้าช็อต

3) ความปลอดภัยส่วนบุคคล

- a) ดึงตัวและมีสมาธิกับสิ่งที่คุณกำลังทำ รวมทั้งใช้สามัญสำนึก ในขณะที่กำลังใช้งานเครื่องมือไฟฟ้า ห้ามใช้เครื่องมือไฟฟ้าในขณะที่คุณกำลังเหนื่อยหรือได้รับอิทธิพลจากยา แอลกอฮอล์ หรือการรับประทานบางอย่าง การขาดความระมัดระวังในการใช้เครื่องมือไฟฟ้าแม้ชั่วขณะหนึ่งอาจทำให้บาดเจ็บสาหัสได้
- b) ใช้อุปกรณ์คุ้มครองความปลอดภัยส่วนบุคคลสวมอุปกรณ์ป้องกันดวงตาเสมอ อุปกรณ์ป้องกัน เช่น หน้ากากกันฝุ่น รองเท้ากันภัยกันส้น หมวกกันภัย หรืออุปกรณ์ป้องกันเสียงดังที่ใช้ในสภาวะที่เหมาะสมจะช่วยลดอาการบาดเจ็บทางร่างกาย
- c) ป้องกันเครื่องเปิดทำงานโดยไม่ตั้งใจ สวิตช์ต้องอยู่ในตำแหน่งปิดก่อนที่จะเสียบปลั๊กเข้ากับแหล่งจ่ายไฟ และ/หรือ ชุดแบตเตอรี่ หรือก่อนจะยกหรือหัวเครื่องมือ การยกเครื่องมือไฟฟ้าในขณะที่นิ้วอยู่ที่สวิตช์ หรือใช้เครื่องมือไฟฟ้าที่สวิตช์เปิดอยู่ อาจทำให้เกิดอุบัติเหตุได้
- d) ถอดกุญแจปรับตั้งหรือประแจออกก่อนเปิดสวิตช์เครื่องมือไฟฟ้า ประแจหรือกุญแจที่เสียบค้างอยู่ในชิ้นส่วนที่หมุนได้ของเครื่องมือไฟฟ้าอาจทำให้ได้รับบาดเจ็บได้
- e) ห้ามยืนเขย่งเท้าขณะใช้เครื่อง ควรยืนในท่าที่เหมาะสมและสมดุลตลอดเวลา เพื่อช่วยในการควบคุมเครื่องมือไฟฟ้าได้ดียิ่งขึ้นในสถานการณ์ที่ไม่คาดคิด
- f) แต่งกายให้เหมาะสม ห้ามสวมเสื้อผ้าหลวมหรือใส่เครื่องประดับ รวบผมและเสื้อผ้าให้ห่างจากชิ้นส่วนที่กำลังหมุน เสื้อผ้าที่หลวมหรือยาว ร่ม ร่ม เครื่องประดับ หรือผมที่ยาวอาจเข้าไปพันกับชิ้นส่วนที่กำลังหมุน
- g) หากมีอุปกรณ์สำหรับดูดและเก็บฝุ่น ต้องตรวจสอบให้แน่ใจว่าได้เชื่อมต่อและใช้งานอุปกรณ์นั้นอย่างเหมาะสม การใช้อุปกรณ์เก็บฝุ่นจะช่วยลดอันตรายที่เกี่ยวข้องกับฝุ่นได้
- h) อย่าให้ความเคยชินจากการใช้งานทำให้คุณประมาทและละเลยการปฏิบัติตามหลักการเพื่อความปลอดภัย การใช้งานโดยไม่ระวังอาจทำให้เกิดการบาดเจ็บสาหัสได้ภายในเวลาเพียงเสี้ยววินาที

4) การใช้งานและการดูแลรักษาเครื่องมือไฟฟ้า

- a) ห้ามฝืนใช้เครื่องมือไฟฟ้า เลือกใช้เครื่องมือไฟฟ้าที่ถูกต้องตรงกับลักษณะการใช้งานของ

คุณ เครื่องมือไฟฟ้าที่ถูกต้องย่อมทำงานได้ดีกว่าและปลอดภัยกว่า เมื่อใช้งานตามพิกัดที่เครื่องมือได้รับการออกแบบมา

- b) ห้ามใช้เครื่องมือไฟฟ้าถ้าสวิตช์เปิดปิดเครื่องมือทำงาน เครื่องมือไฟฟ้าที่ไม่สามารถควบคุมผ่านสวิตช์ได้ ถือว่ามีอันตรายและต้องซ่อม
- c) ถอดปลั๊กของเครื่องมือไฟฟ้าออกจากแหล่งจ่ายไฟ และ/หรือหากถอดแบตเตอรี่ได้ ให้ถอดแบตเตอรี่ออกก่อนทำการปรับแต่ง เปลี่ยนอุปกรณ์เสริม หรือจัดเก็บเครื่องมือไฟฟ้า มาตรการเพื่อความปลอดภัยเชิงการป้องกันนี้จะช่วยลดความเสี่ยงในการแผลเปิดเครื่องไฟฟ้าให้ทำงานโดยไม่ตั้งใจ
- d) เก็บเครื่องมือไฟฟ้าที่ไม่ได้ใช้งานไว้ในที่พ้นมือเด็ก และไม่อนุญาตให้บุคคลที่ไม่คุ้นเคยกับเครื่องมือไฟฟ้าหรือค่าแนะนำเหล่านี้เป็นผู้ใช้เครื่องมือ เครื่องมือไฟฟ้าจะเป็นอันตรายหากอยู่ในมือผู้ใช้ที่ไม่มีความชำนาญ
- e) บำรุงรักษาเครื่องมือไฟฟ้าและอุปกรณ์เสริมต่างๆ ตรวจสอบว่าชิ้นส่วนที่เคลื่อนที่ได้มีการวางไม่ตรงแนวหรือติดขัดหรือไม่ มีชิ้นส่วนที่แตกหัก และสภาพอื่นใดที่อาจส่งผลกระทบต่อการทำงานของเครื่องมือไฟฟ้าหรือไม่ หากชำรุดเสียหายให้นำเครื่องมือไปส่งซ่อมก่อนนำมาใช้ อุบัติเหตุจำนวนมากเกิดจากการดูแลรักษาเครื่องมือไฟฟ้าไม่ดีพอ
- f) เครื่องมือตัดต้องคมและสะอาดอยู่เสมอ เครื่องมือตัดที่ได้รับการดูแลรักษาอย่างถูกต้องและมีขอบตัดคม จะมีปัญหาติดขัดน้อย และควบคุมได้ง่ายกว่า
- g) ใช้เครื่องมือไฟฟ้า อุปกรณ์เสริม และดอกสว่านของเครื่องมือ เป็นต้น ให้ตรงตามข้อปฏิบัติเหล่านี้ โดยพิจารณาถึงสภาพการทำงานและงานที่ทำเป็นสำคัญ การใช้เครื่องมือไฟฟ้าทำงานอื่นนอกเหนือจากที่กำหนดไว้อาจทำให้เกิดอันตรายได้
- h) หมั่นดูแลให้มีน้ำมันและพื้นผิวที่จับนั้นแห้งสะอาด ปรตจากน้ำมันและจาระบี มือจับและผิวสัมผัสที่ลื่นอาจทำให้เกิดการใช้งานที่ไม่ปลอดภัย และทำให้ไม่สามารถควบคุมเครื่องมือในสถานการณ์คับขันได้อย่างถูกต้อง

5) การบริการ

- a) ให้ช่างซ่อมที่มีความเชี่ยวชาญเป็นผู้ซ่อมเครื่องมือไฟฟ้า และใช้อะไหล่ของแท้เท่านั้น ซึ่งจะช่วยมั่นใจได้ว่าเครื่องมือไฟฟ้ายังมีความปลอดภัยอยู่

คำเตือนเพื่อความปลอดภัยเพิ่มเติมสำหรับเลื่อยจิ๊กซอว์

- จับเครื่องมือไฟฟ้าตรงพื้นผิวส่วนที่ใช้จับซึ่งมีฉนวนป้องกันเท่านั้นเมื่อต้องใช้งานเครื่องมือในบริเวณที่อุปกรณ์เสริมสำหรับการตัด ซึ่งอาจ

สัมผัสถูกสายไฟที่ซ่อนอยู่ได้ อุปกรณ์เสริมสำหรับงานตัดที่สัมผัสถูกสายไฟ "ที่มีไฟฟ้า" อาจทำให้ส่วนที่เป็นโลหะของเครื่องที่ถูกสัมผัส "มีไฟฟ้า" และทำให้ผู้ใช้เครื่องถูกไฟฟ้าช็อตได้

- ใช้ตัวยึดจับชิ้นงานหรือวิธีอื่น ๆ ที่ได้ผลเพื่อยึดและหนุนชิ้นงานบนแท่นที่มั่นคง การใช้มีดจับหรือให้ชิ้นงานพังกับส่วตัวจะไม่มั่นคงและอาจทำให้สูญเสียการควบคุมได้
- **อย่าวางมือไว้ใกล้กับบริเวณที่ทำการตัด ห้ามสอดมือเข้าไปใต้ชิ้นงานในทุกกรณี** ห้ามแหงนหัวหรือยื่นนิ้วหัวแม่มือเข้าไปใกล้ใบเลื่อยและอุปกรณ์จับยึดใบเลื่อยที่กำลังทำงานอยู่ ห้ามทำให้เลื่อยอยู่กับที่โดยการจับยึดปลอกเลื่อย
- **ดูแลใบเลื่อยให้คมอยู่เสมอ** ใบเลื่อยที่ไม่คมหรือเสียหายอาจทำให้เลื่อยเปลี่ยนทิศทางหรือสูญเสียการทรงตัวเมื่ออยู่ภายใต้แรงกดได้ ใช้ประเภทของใบเลื่อยที่เหมาะสมสำหรับวัสดุที่ใช้ทำชิ้นงานและประเภทของการตัดอยู่เสมอ
- **เมื่อตัดท่อหรือท่อร้อยสาย คุณจะต้องตรวจสอบให้แน่ใจว่า ท่อหรือท่อร้อยสายดังกล่าวไม่มีน้ำ สายไฟ ฯลฯ**
- **ห้ามสัมผัสชิ้นงานหรือใบเลื่อยในทันทีหลังจากใช้เครื่องมือ** เนื่องจากชิ้นงานหรือใบเลื่อยดังกล่าวจะร้อนจัด
- **ฟังตระหนักถึงอันตรายที่ซ่อนอยู่ก่อนที่จะตัดเข้าไปในผนัง พื้นหรือเพดาน และตรวจสอบตำแหน่งที่ตั้งของสายไฟและท่อ**
- **ใบเลื่อยจะยังคงเคลื่อนไหวอยู่หลังจากที่กดปล่อยสวิตช์แล้ว** ปิดสวิตช์เครื่องมือและรอจนกระทั่งใบเลื่อยหยุดนิ่งโดยสมบูรณ์ก่อนที่จะวางเครื่องมือลง ความปลอดภัยทางไฟฟ้า

ความปลอดภัยทางไฟฟ้า

มอเตอร์ไฟฟ้าออกแบบมาเพื่อใช้กับแรงดันไฟฟ้าขนาดเดียวเท่านั้น ต้องตรวจสอบกำลังไฟเพื่อให้ตรงกับแรงดันไฟฟ้าบนแผ่นแสดงพิกัดอย่างสม่ำเสมอ



เครื่องมือ DEWALT ใช้ระบบฉนวนสองชั้นที่ตรงตามมาตรฐาน EN จึงไม่จำเป็นต้องใช้สายดิน

ถ้าสายไฟของตัวเครื่องชำรุดเสียหาย ต้องเปลี่ยนเป็นสายไฟที่จัดเตรียมมาเป็นพิเศษซึ่งสั่งซื้อได้จากศูนย์บริการของDEWALT

การใช้สายพวง

ในกรณีที่จำเป็นต้องใช้สายพวง ให้ใช้สายพวง 3 ขั้วที่มีการรับรองและเหมาะสมกับปริมาณไฟฟ้าของอุปกรณ์ (ดูข้อมูลทางเทคนิค) ขนาดของสายนำไฟฟ้าที่เล็กที่สุดคือ 1.5 ตร.มม. และความยาวสูงสุดอยู่ที่ 30 ม.

เมื่อมีการใช้อุปกรณ์ฉนวนเก็บสายไฟ ให้คลายสายไฟออกจนหมดทุกครั้ง

สิ่งที่อยู่ในบรรจุภัณฑ์

ภายในบรรจุภัณฑ์ประกอบด้วย:

- 1 เลื่อยจิ๊กซอว์
 - 1 ใบเลื่อยจิ๊กซอว์
 - 1 ฝาครอบปลอกเลื่อยแบบกันรอยขีดข่วน
 - 1 คู่มือการใช้งาน
- โปรดตรวจหาร่องรอยความเสียหายของเครื่องมือ ชิ้นส่วนหรืออุปกรณ์เสริม ที่อาจเกิดขึ้นในระหว่างการขนส่ง
 - โปรดอ่านและทำความเข้าใจคู่มือเล่มนี้ก่อนการใช้งาน

สัญลักษณ์บนเครื่องมือ

รูปภาพต่อไปนี้จึงปรากฏบนเครื่องมือ:



โปรดอ่านคู่มือแนะนำการใช้งานก่อนใช้งาน



สวมอุปกรณ์ป้องกันเสียงดัง



สวมอุปกรณ์ป้องกันดวงตา

ตำแหน่งของรหัสวันที่ (รูป A)

รหัสวันที่ **11** ซึ่งรวมถึงปีที่ผลิตจะพิมพ์อยู่บนตัวเครื่องตัวอย่างเช่น:

XXXX XX XX

ตัวอย่างเช่น:

คำอธิบาย (รูป A)



คำเตือน: ห้ามปรับแต่งเครื่องมือไฟฟ้าหรือชิ้นส่วนใดๆ โดยเด็ดขาด เพราะอาจทำให้เครื่องมือชำรุดหรือผู้ใช้ได้รับบาดเจ็บได้

- 1 สวิตช์เปิด/ปิด
- 2 ปุ่มล็อค
- 3 ก้านล็อคใบเลื่อย
- 4 ใบเลื่อย
- 5 ที่หุ้มปลอกเลื่อย
- 6 ปลอกเลื่อย
- 7 ก้านปรับความเอียงของปลอกเลื่อย
- 8 แป้นควบคุมความเร็ว
- 9 อุปกรณ์เลือกช่วงชักแบบเพนดูลัม
- 10 อุปกรณ์จับยึดใบเลื่อย

วัตถุประสงค์ในการใช้งาน

เลื่อยจิ๊กซอว์ของคุณได้รับการออกแบบมาสำหรับการเลื่อยแบบมีออาชีพ เลื่อยจิ๊กซอว์ DEWALT รุ่น DWE349 ของคุณได้รับการออกแบบมาสำหรับการเลื่อยไม้ พลาสติก โลหะแผ่นยางและเซรามิก

ห้ามใช้งานหากอยู่ในบริเวณที่เปียกชื้น หรือมีของเหลวไวไฟหรือแก๊สอยู่ในบริเวณดังกล่าว



เสียบจี้กซ์วอเหล่านี้คือเครื่องมือไฟฟ้าสำหรับมืออาชีพ

ห้ามปล่อยให้เด็กสัมผัสกับเครื่องมือ ผู้ใช้ที่ไม่มีประสบการณ์มากก่อนต้องได้รับการดูแลในขณะที่ใช้เครื่องมือนี้

- ผู้เยาว์และผู้ที่มีความเชี่ยวชาญ เครื่องมือนี้ไม่ได้มีไว้เพื่อการใช้งานโดยผู้เยาว์หรือผู้ที่มีความเชี่ยวชาญ โดยไม่มีการควบคุมดูแล
- เครื่องมือนี้ไม่ได้มีไว้เพื่อการใช้งานโดยบุคคล (ซึ่งรวมถึงผู้เยาว์) ที่มีความบกพร่องทางร่างกาย ทางความรู้สึก หรือทางจิตประสาท หรือขาดประสบการณ์ ความรู้ และทักษะ เว้นเสียแต่จะได้รับการควบคุมดูแล หรือคำแนะนำการใช้เครื่องมือโดยผู้ที่รับผิดชอบต่อความปลอดภัยของบุคคลเหล่านั้น ห้ามปล่อยให้ผู้เยาว์ไว้กับเครื่องมือนี้ตามลำพัง

การประกอบและการปรับแต่ง



คำเตือน: เพื่อลดความเสี่ยงจากการได้รับบาดเจ็บรุนแรง ต้องปิดเครื่องมือและถอดปลั๊กออกจากแหล่งจ่ายไฟก่อนทำการปรับตั้ง หรือทำการถอด/ติดตั้งอุปกรณ์ยึดติดหรืออุปกรณ์เสริมใดๆ ทุกครั้ง การเผลอเปิดเครื่องโดยไม่ตั้งใจอาจเป็นสาเหตุให้เกิดการบาดเจ็บได้

การใส่ใบเลื่อย (รูป B)



คำเตือน: เมื่อทำการใส่ใบเลื่อย คุณจะต้องสวมถุงมือป้องกันทุกครั้ง อาจเกิดอันตรายจากการได้รับบาดเจ็บเมื่อสัมผัสใบเลื่อยได้



คำเตือน: ใช้เฉพาะใบเลื่อยประเภท T เท่านั้น การใช้ใบเลื่อยประเภทอื่นนอกเหนือจากประเภท T จะทำให้ใบเลื่อยไม่แน่นเท่าที่ควรจนอาจทำให้ผู้ปฏิบัติงานได้รับบาดเจ็บรุนแรงได้

1. ดึงก้านล็อกใบเลื่อย 3 ขึ้นด้านบน
2. หงายซี่เลื่อยไปด้านหน้า ใส่ก้านของใบเลื่อยเข้าไปในอุปกรณ์จับยึดใบเลื่อยให้ลึกมากที่สุด
3. ปล่อยให้ก้านของใบเลื่อย
4. ตรวจสอบให้แน่ใจว่า ใบเลื่อยอยู่กับที่ก่อนทำการตัด ใบเลื่อยที่หลวมอาจหลุดออกมาและทำให้เกิดการบาดเจ็บได้

การปรับปลอกเลื่อยสำหรับการตัดแบบเฉียง (รูป C)



คำเตือน: ห้ามใช้เครื่องมือหากปลอกเลื่อยหลวมหรือเมื่อถอดปลอกเลื่อยออก คุณสามารถกำหนดให้แผ่นปลอกเลื่อยอยู่ที่มุมเฉียงด้านซ้ายหรือด้านขวาได้ถึง 45° องศา

การกำหนดมุมเฉียง

1. ดึงก้านปรับความเอียงของปลอกเลื่อย 7 ออกให้ไกลจากเลื่อยเพื่อปลดล๊อคปลอกเลื่อย 6 ตามที่แสดงในรูป C
2. เลื่อนปลอกเลื่อยไปด้านหน้าเพื่อปล่อยปลอกเลื่อยออกจากตำแหน่งหยุดที่ 0 องศา

3. คุณสามารถเอียงปลอกเลื่อยไปทางซ้ายหรือทางขวาและทำการยึดที่ 15 องศา 30 องศาและ 45 องศาได้
4. กำหนดปลอกเลื่อยให้อยู่ในมุมเอียงที่ต้องการ ใช้ไม้วัดมุมในการตรวจความแม่นยำของมุม
5. ดึงก้านปรับความเอียงของปลอกเลื่อยไปด้านหลังเข้าหาเลื่อยเพื่อล๊อคปลอกเลื่อย

การรีเซ็ตปลอกเลื่อยสำหรับการตัดแบบตรง

1. ดึงก้านปรับความเอียงของปลอกเลื่อย 7 ออกให้ไกลจากเลื่อยเพื่อปลดล๊อคปลอกเลื่อย 6 ตามที่แสดงในรูป C
2. หมุนปลอกเลื่อยให้ได้มุมประมาณ 0 องศา จากนั้นดึงปลอกเลื่อยไปด้านหลังให้อยู่ที่จุดหยุดเชิงบวกที่ 0 องศา
3. ดึงก้านปรับความเอียงของปลอกเลื่อยไปด้านหลังเข้าหาเลื่อยเพื่อล๊อคปลอกเลื่อย การทำงาน

การใช้งาน

วิธีการใช้เครื่อง



คำเตือน: ทาตามคำแนะนำด้านความปลอดภัยและข้อกำหนดที่บังคับใช้เสมอ



คำเตือน: เพื่อลดความเสี่ยงจากการได้รับบาดเจ็บรุนแรง ต้องปิดเครื่องมือและถอดปลั๊กออกจากแหล่งจ่ายไฟก่อนทำการปรับตั้ง หรือถอด/ติดตั้งอุปกรณ์ยึดติดหรืออุปกรณ์เสริมใดๆ ทุกครั้ง ตรวจสอบให้แน่ใจว่าสวิตช์อยู่ที่ตำแหน่งปิด (OFF) การเผลอเปิดเครื่องโดยไม่ตั้งใจอาจเป็นสาเหตุให้เกิดการบาดเจ็บได้



- คำเตือน:**
- ตรวจสอบให้แน่ใจว่า ชิ้นงานของคุณมั่นคงดีน้ำหนักจะปูลงกรและอุปกรณ์ยึดติดอื่นๆ ที่อาจทำให้ใบเลื่อยเสียหายออก
 - ตรวจสอบว่ามีพื้นที่มากพอสำหรับวางใบเลื่อยให้อยู่ใต้ชิ้นงาน
 - ห้ามตัดวัสดุที่เกินไปจากความสามารถสูงสุดของใบเลื่อย
 - ใช้ใบเลื่อยที่คมเท่านั้น คุณจะต้องรีบถอดใบเลื่อยที่เสียหายหรือบดงอออกทันที
 - ห้ามใช้เครื่องมือในการเลื่อยท่อน้ำหรือท่อ
 - ห้ามใช้เครื่องมือโดยปราศจากใบเลื่อย
 - เพื่อให้ได้ผลลัพธ์ที่ดีที่สุด ค่อยๆ ขยับเครื่องมืออย่างสม่ำเสมอบนชิ้นงาน ห้ามใช้แรงกดที่ด้านข้างของใบเลื่อยมากเกินไป วางปลอกเลื่อยราบไปบนชิ้นงานและชักสายเลื่อยออกให้ได้จังหวะสอดคล้องกับเครื่องมือ เมื่อเลื่อยเป็นรูปโค้ง วงกลมหรือรูปทรงกลมอื่นๆ ให้ค่อยๆ ดันเครื่องมือไปด้านหลังหน้า
 - รอจนกระทั่งเครื่องมือหยุดนิ่งก่อนที่จะถอดใบเลื่อยออกจากชิ้นงาน หลังจากทำการเลื่อย ใบเลื่อยจะร้อนจัด ห้ามสัมผัสใบเลื่อยโดยเด็ดขาด

ตำแหน่งของมือที่ถูกตัด (รูป D)



คำเตือน: เพื่อลดความเสี่ยงจากการได้รับบาดเจ็บสาหัส ให้วางมือในตำแหน่งที่ถูกตัดทุกครั้งดังแสดงในภาพ



คำเตือน: เพื่อลดความเสี่ยงจากการได้รับบาดเจ็บสาหัส จะต้องจับเครื่องมือให้แน่นทุกครั้งเพื่อในกรณีที่เกิดการตอบสนองขึ้นแบบทันทีทันใด

ตำแหน่งการจับที่เหมาะสมจะต้องให้มือข้างหนึ่งอยู่บนด้ามจับด้านข้าง 13 และมีมืออีกข้างหนึ่งอยู่บนตัวเครื่องตามที่แสดงในรูป 12

การเปิดและการปิดสวิทช์เครื่องมือ (รูป A)

- ในการเปิดสวิทช์เครื่องมือ ให้กดสวิทช์การทำงาน 1 สำหรับการทำงานอย่างต่อเนื่อง ให้กดสวิทช์การทำงาน จากนั้นกดปุ่มล็อค 2 เมื่อกดปุ่มล็อคแล้ว จึงค่อยปล่อยสวิทช์การทำงาน
- ในการปิดสวิทช์เครื่องมือ ให้ปล่อยสวิทช์การทำงาน หากต้องการปิดสวิทช์เครื่องมือในระหว่างการทำงานอย่างต่อเนื่อง ให้กดสวิทช์การทำงานเพื่อคลายตัวล็อคออก

การควบคุมความเร็ว (รูป E)



คำเตือน: หากใช้งานเครื่องมืออย่างต่อเนื่องที่ความเร็วต่ำเป็นเวลานาน มอเตอร์จะทำงานหนักและร้อนจัดได้

แป้นควบคุมความเร็ว 8 อยู่ที่ด้านบนของเลื่อย ความเร็วจะเพิ่มขึ้นเมื่อแป้นหมุนถูกหมุนจากการตั้งค่าความเร็วต่ำที่ 1 ไปเป็นการตั้งค่าความเร็วสูงที่ 6

ดูที่ตารางเพื่อเลือกความเร็วที่เหมาะสมสำหรับชิ้นงานที่จะทำการตัด อย่างไรก็ตาม ความเร็วที่เหมาะสมอาจจะแตกต่างกันออกไปตามประเภทหรือความหนาของชิ้นงานได้ โดยทั่วไปนั้น ความเร็วที่สูงขึ้นจะช่วยให้คุณตัดชิ้นงานได้เร็วขึ้นแต่อายุการใช้งานของใบเลื่อยจะลดลง

วัสดุ	การตั้งค่าการควบคุมความเร็ว
ไม้	5-6
สแตนเลสสตีล	3-4
เหล็กถลุง	3-6
อลูมิเนียม	3-6
พลาสติก	1-4

การตัดชิ้นงาน – แบบวงรอบหรือแบบตรง (รูป A)



คำเตือน: ตรวจสอบว่าเครื่องมือไม่ได้ถูกล็อคเอาไว้ที่ เปิด ก่อนเชื่อมต่อเข้ากับแหล่งจ่ายไฟ หากสวิทช์ถูกล็อคเอาไว้ที่ เปิด เมื่อเชื่อมต่อเครื่องมือเข้ากับแหล่งจ่ายไฟ เครื่องมือจะเริ่มทำงานทันที เครื่องมือของคุณจะได้รับความเสียหายหรือทำให้ผู้ปฏิบัติงานได้รับบาดเจ็บได้

เลื่อยจิ๊กซอว์นี้ได้รับการออกแบบเพื่อการตัดในสี่รูปแบบคือการตัดแบบวงรอบสามระดับและการตัดแบบตรงหนึ่งระดับ การตัดแบบวงรอบจะมีการเคลื่อนไหวของใบเลื่อยที่รุนแรงมากกว่าและได้รับการออกแบบมาสำหรับการตัดวัสดุที่มีความอ่อนนุ่มอย่างไม้หรือพลาสติก การตัดแบบวงรอบจะให้การตัดที่รวดเร็วกว่าแต่เป็นการตัดวัสดุที่ให้ความเรียบน้อยกว่า ในการตัดแบบวงรอบนั้น ใบเลื่อยจะเคลื่อนไปตามหน้าระหว่างช่วงซิกของการตัดนอกเหนือไปจากการเคลื่อนไหวขึ้นและลง

หมายเหตุ: ห้ามใช้การตัดแบบวงรอบกับชิ้นงานที่เป็นโลหะหรือไม่เนื้อแข็ง

การตั้งค่าช่วงซิกแบบเพนดูลัม

- ขยับอุปกรณ์เลื่อยช่วงซิกแบบเพนดูลัม 9 ระหว่างตำแหน่งการตัดทั้งสี่ระดับที่ 0, 1, 2 และ 3
- ตำแหน่ง 0 คือการตัดแบบตรง
- ตำแหน่ง 1, 2 และ 3 คือการตัดแบบวงรอบ

ความรุนแรงของการตัดจะเพิ่มขึ้นเมื่อท่านได้รับการปรับจากศูนย์ไปเป็นสามโดยที่สามจะให้การตัดที่รุนแรงมากที่สุด

ที่หุ้มปลอกเลื่อยแบบถอดออกได้ (รูป F)

คุณควรใช้ที่หุ้มปลอกเลื่อยแบบไม่ก่อให้เกิดความเสียหาย

- เมื่อทำการตัดผิวหน้าที่เป็นรอยขีดข่วนได้ง่าย เช่น ลามิเนต รีเนียร์หรือกาพเซียน นอกจากนี้คุณยังควรใช้ที่หุ้มปลอกเลื่อยดังกล่าวเพื่อปกป้องผิวหน้าของปลอกเลื่อยในระหว่างการขนส่งและการจัดเก็บเช่นกัน

ในการยึดที่หุ้มปลอกเลื่อยนั้น ให้คุณวางด้านหน้าของปลอกเลื่อย 6 ลงไปที่ด้านหน้าของที่หุ้มปลอกเลื่อยและลดเลื่อยจิ๊กซอว์ลงตามที่แสดงในรูป F ที่หุ้มปลอกเลื่อยจะยึดเข้ากับด้านหลังของปลอกเลื่อยอย่างแน่นหนา

ในการถอดที่หุ้มปลอกเลื่อยออก ให้คุณจับที่หุ้มจากด้านล่างที่แท็บด้านหลังทั้งสองและดึงที่หุ้มลงให้พ้นไปจากปลอกเลื่อย

คำแนะนำเพื่อการทำงานที่ดีที่สุด

การเลื่อยลามิเนต

เนื่องจากใบเลื่อยจะตัดในจังหวะชักแบบขึ้นด้านบน จึงอาจทำให้เกิดเสียงที่ผิวหน้าซึ่งอยู่ใกล้กับแผ่นปลอกเลื่อยที่สุดได้

ใช้ใบเลื่อยที่มีซี่เลื่อยละเอียด

เลื่อยจากผิวหน้าด้านหลังของชิ้นงาน

ในการลดการเกิดเสียง ให้ยึดชิ้นงานที่เป็นไม้หรือไม้อัดที่ด้านข้างทั้งสองของชิ้นงานและเลื่อยผ่านการประกบดังกล่าว

การเลื่อยโลหะ

- พึงตระหนักว่าการเลื่อยโลหะจะใช้เวลามากกว่าการเลื่อยไม้

- ใช้ใบเลื่อยที่เหมาะสมสำหรับการเลื่อยโลหะ

- เมื่อตัดโลหะที่บาง ให้ยึดชิ้นงานที่เป็นไม้ไว้กับผิวหน้าด้านหลังของชิ้นงานและเลื่อยผ่านการประกบดังกล่าว

- ทาน้ำมันบางๆ ไปตามเส้นที่จะทำการตัดเพื่อการทำงานที่ง่ายขึ้นและเพื่ออายุการใช้งานของใบเลื่อยที่ยาวนานขึ้น แนะนำให้ใช้น้ำมันก๊าดในการตัดอลูมิเนียม

การตัดแบบขอย/วงกลม (รูป G, H)

การตัดแบบขอยและการตัดเป็นวงกลมโดยไม่ใช้ดินสอวางเส้นสามารถทำได้ง่ายๆ โดยการใช้รั้วขอย/ชุดขวยตัดเป็นวงกลม (ไม่รวมอยู่ในรายการอุปกรณ์ที่จัดหาให้ คุณต้องซื้อแยกเอง)

ใช้สกรูที่ใหม่กับชุดอุปกรณ์เสริม วางตำแหน่งและใส่สกรูเข้าไปในบล็อกเลื่อยเพื่อยึดรั้วให้มั่นคง

เมื่อทำการขอย ให้เลื่อนรั้วขอยเข้าไปใต้สกรูจากด้านใดด้านหนึ่งของเลื่อย กำหนดครอสบาร์ที่ระยะห่างตามที่ต้องการจากใบเลื่อยและขันสกรูให้แน่น สำหรับการขอยนั้น ครอสบาร์จะต้องอยู่ที่ด้านล่างตรงข้ามกับขอบตรงของชิ้นงาน

เมื่อทำการตัดแบบวงกลม ให้ปรับรั้วขอยเพื่อให้ระยะห่างจากใบเลื่อยไปยังช่องในแขนรั้วอยู่ในรัศมีที่ต้องการและขันสกรูให้แน่น วางเลื่อยเพื่อให้รั้วในแขนรั้วอยู่นอกระยะกึ่งกลางของวงกลมที่จะทำการตัด (เจาะรูสำหรับใบเลื่อยหรือตัดเข้าไปที่ด้านในจากมุมของวัสดุเพื่อให้ใบเลื่อยเข้าไปอยู่ในตำแหน่งที่กำหนด) เมื่อเลื่อยได้รับการวางตำแหน่งอย่างเหมาะสมแล้ว ให้ดอกตะปูเล็กเข้าไปในรูของแขนรั้ว ใช้รั้วขอยเป็นแขนหมุน เริ่มทำการตัดเป็นวงกลม สำหรับการตัดแบบวงกลมนั้น ครอสบาร์จะต้องอยู่ที่ด้านบน การบำรุงรักษา

การบำรุงรักษา

เครื่องมือไฟฟ้า DEWALT ออกแบบมาเพื่อให้สามารถใช้งานได้อย่างยาวนานโดยมีการบำรุงรักษาน้อยที่สุด การทำงานที่สร้างความพึงพอใจอย่างต่อเนื่องจะขึ้นอยู่กับการดูแลรักษาที่เหมาะสมและการทำความสะอาดอย่างสม่ำเสมอ

คำเตือน: เพื่อลดความเสี่ยงจากการได้รับบาดเจ็บรุนแรง ต้องปิดเครื่องมือและถอดปลั๊กออกจากแหล่งจ่ายไฟก่อนทำการปรับตั้ง หรือถอด/ติดตั้งอุปกรณ์ยึดติดหรืออุปกรณ์เสริมใดๆ ทุกครั้ง การผลอมเปิดเครื่องโดยไม่ได้ตั้งใจอาจเป็นสาเหตุให้เกิดการบาดเจ็บได้



การหล่อลื่น

ไม่จำเป็นต้องใช้การหล่อลื่นเพิ่มเติมกับเครื่องมือไฟฟ้านี้



การทำความสะอาด

คำเตือน: หมั่นเป่าสิ่งสกปรกและฝุ่นละอองที่สะสมออกจากตัวเครื่องเป็นประจำด้วยลมแห้ง เนื่องจากสิ่งสกปรกมักสะสมอยู่ภายในและรอบๆ ช่องระบายอากาศ สวมอุปกรณ์ป้องกันดวงตาและหน้ากากกันฝุ่นที่ได้มาตรฐานในขณะที่ดำเนินการขั้นตอนนี้



คำเตือน: ห้ามใช้สารที่เป็นตัวทำละลายหรือสารเคมีที่มีฤทธิ์กัดกร่อนรุนแรงอื่นๆ ทำความสะอาดชิ้นส่วนที่ไม่ใช่โลหะของเครื่องมือ สารเคมีเหล่านี้อาจส่งผลต่อวัสดุที่ใช้ในชิ้นส่วนเหล่านี้ ใช้เฉพาะผ้าขุบน้ำสบู่อ่อนๆ เท่านั้น อย่าให้มีของเหลวใดๆ เข้าไปในเครื่องมือเด็ดขาด ห้ามจุ่มส่วนใดๆ ของเครื่องมือลงในของเหลวเด็ดขาด

อุปกรณ์เสริม



คำเตือน: เนื่องจากอุปกรณ์เสริมอื่นนอกเหนือจากที่ DEWALT มีจำหน่ายไม่ได้ผ่านการทดสอบร่วมกับผลิตภัณฑ์นี้ จึงอาจเป็นอันตรายหากใช้อุปกรณ์เสริมดังกล่าวร่วมกับเครื่องมือนี้ เพื่อเป็นการลดความเสี่ยงจากการได้รับบาดเจ็บ ให้ใช้อุปกรณ์เสริมเฉพาะที่ DEWALT แนะนำให้ใช้ร่วมกับผลิตภัณฑ์นี้เท่านั้น

โปรดติดต่อตัวแทนจำหน่ายหากต้องการข้อมูลเพิ่มเติมเกี่ยวกับอุปกรณ์เสริมที่เหมาะสม

การปกป้องสิ่งแวดล้อม



การเก็บรวบรวมแบบคัดแยก ห้ามทิ้งผลิตภัณฑ์และแบตเตอรี่ที่มีสัญลักษณ์นี้รวมกับขยะในครัวเรือนปกติ

ผลิตภัณฑ์และแบตเตอรี่ประกอบด้วยวัสดุที่สามารถนำกลับมาใช้ใหม่หรือรีไซเคิลได้เพื่อลดความต้องการวัตถุดิบ โปรดรีไซเคิลอุปกรณ์ไฟฟ้าและแบตเตอรี่ตามข้อบังคับในท้องถิ่น ดูข้อมูลเพิ่มเติมได้ที่ www.2helpU.com

บริการหลังการขายและการซ่อมแซมผลิตภัณฑ์

ศูนย์บริการ DEWALT ของเราประกอบไปด้วยบุคลากรที่ได้รับการฝึกอบรมมาเป็นอย่างดีในการให้บริการผลิตภัณฑ์ที่มีประสิทธิภาพและไว้วางใจได้แก่ลูกค้า อย่างไรก็ตาม เราจะไม่รับผิดชอบใดๆ หากคุณซ่อมแซมผลิตภัณฑ์กับศูนย์บริการที่ไม่ได้รับการอนุญาตจากเรา คุณสามารถดูที่ตั้งของศูนย์ติดต่อ ได้จากแผ่นพับในบรรจุภัณฑ์ของผลิตภัณฑ์และติดต่อเราได้ผ่านสายด่วน เว็บไซต์หรือโซเชียลมีเดียเพื่อค้นหาศูนย์บริการ DEWALT ซึ่งอยู่ใกล้คุณมากที่สุด

JIG SAW

DWE349

Selamat!

Anda telah memilih perkakas DEWALT. Berpengalaman bertahun-tahun, pengembangan dan inovasi produk menyeluruh telah menjadikan DEWALT salah satu rekan yang paling mampu diandalkan bagi para pengguna perkakas listrik profesional.

		DWE349
Voltase	V_{ac}	220-240
Output daya	W	650
Frekuensi	Hz	50-60
Kecepatan tanpa beban	/min	500-3200
Panjang gerak	mm	20
Penyesuaian sudut miring	l/r	0-45°
Berat	kg	2.4
Kedalaman pemotongan dalam:		
kayu	mm	85
aluminium	mm	20
baja (bukan campuran)	mm	10

Data Teknis



PERINGATAN: Untuk mengurangi risiko cedera, bacabuku petunjuk manual.

Definisi: Pedoman Keselamatan

Definisi berikut ini menjelaskan tingkat bahaya untuk setiap kata sinyal. Harap baca buku petunjuk dan perhatikan simbol-simbol ini.



BAHAYA: Mengindikasikan situasi berbahaya yang tak terelakkan, yang jika tidak dihindari, akan mengakibatkan kematian atau cedera berat.



PERINGATAN: Mengindikasikan situasi berbahaya yang berpotensi terjadi, jika tidak dihindari, dapat mengakibatkan kematian atau cedera berat.



PERHATIAN: Mengindikasikan situasi berbahaya yang berpotensi terjadi, yang jika tidak dihindari, dapat mengakibatkan cedera ringan atau sedang.



PEMBERITAHUAN: Mengindikasikan suatu praktik yang tidak berhubungan dengan cedera pribadi, yang jika tidak dihindari, mungkin mengakibatkan kerusakan barang.



Menunjukkan risiko sengatan listrik.



Menunjukkan risiko kebakaran.

Peringatan Keselamatan Perkakas Listrik Umum



PERINGATAN: Baca semua peringatan keamanan, instruksi, ilustrasi, dan pesifikasi yang disertakan bersama perkakas listrik ini. Kegagalan mengikuti seluruh instruksi yang tercantum di bawah ini dapat mengakibatkan sengatan listrik, kebakaran, dan/atau cedera berat.

SIMPAN SEMUA PERINGATAN DAN PETUNJUK UNTUK REFERENSI DI MASA MENDATANG.

Istilah "perkakas listrik" dalam peringatan merujuk pada perkakas listrik beroperasi listrik induk (berkabel) atau perkakas listrik beroperasi baterai (nirkabel).

1) Keselamatan Area Kerja

- Jaga agar area kerja tetap bersih dan terang.** Area yang berantakan atau gelap berpotensi mengakibatkan kecelakaan.
- Jangan mengoperasikan perkakas listrik ini di lingkungan yang mudah menimbulkan bahaya ledakan, seperti di tempat yang terdapat cairan, gas, atau debu yang mudah terbakar.** Perkakas listrik menimbulkan percikan api yang dapat menyulut debu atau uap.
- Jauhkan anak-anak dan orang sekitar, sewaktu mengoperasikan perkakas listrik.** Gangguan dapat menyebabkan Anda kehilangan kendali.

2) Keselamatan Kelistrikan

- Steker perkakas listrik harus sesuai dengan soketnya. Jangan pernah memodifikasi steker dengan cara apa pun. Jangan gunakan steker adaptor apa pun dengan perkakas listrik yang dibumikan (Grounded).** Steker yang tidak dimodifikasi dan stopkontak yang sesuai akan mengurangi risiko sengatan listrik.
- Hindari kontak badan dengan permukaan yang dibumikan (grounded), seperti pipa, radiator, kompor, dan kulkas.** Risiko sengatan listrik dapat meningkat jika tubuh Anda bersentuhan dengan permukaan yang dibumikan atau diardekan.
- Jangan sampai perkakas listrik ini terkena hujan atau terpapar di kondisi yang basah.** Air yang masuk ke perkakas listrik akan menyebabkan risiko sengatan listrik.
- Jangan menyalahgunakan kabel. Jangan sekali-kali menggunakan kabel untuk membawa, menarik, atau mencabut perkakas listrik. Jauhkan kabel dari panas, minyak, benda tajam, atau komponen yang bergerak.** Kabel yang rusak atau terbelit meningkatkan risiko sengatan listrik.
- Bila mengoperasikan perkakas listrik di luar ruangan, gunakan kabel ekstensi yang sesuai untuk penggunaan di luar ruangan.** Menggunakan kabel yang sesuai untuk penggunaan di luar ruangan akan mengurangi risiko sengatan listrik.

- f) **Jika penggunaan perkakas listrik di lokasi yang lembap tidak dapat dihindari, gunakan suplai yang terlindung oleh perangkat arus sisa (RCD).**
Penggunaan RCD akan mengurangi risiko sengatan listrik.

3) Keselamatan Diri

- a) **Tetap waspada, perhatikan apa yang Anda kerjakan dan gunakan akal sehat saat mengoperasikan perkakas listrik. Jangan mengoperasikan perkakas listrik bila Anda sedang lelah, atau berada di bawah pengaruh obat, alkohol, atau pengobatan.**
Kelengahan sesaat saja ketika mengoperasikan perkakas listrik dapat menyebabkan cedera diri yang parah.
- b) **Gunakan perperkakasan pelindung diri. Selalu kenakan perkakas pelindung mata.** Perperkakasan pelindung, seperti masker debu, sepatu keselamatan antiselip, helm proyek, atau pelindung telinga yang digunakan untuk kondisi yang sesuai akan mengurangi risiko cedera diri.
- c) **Hindari menyalakan perkakas tanpa disengaja. Pastikan bahwa sakelar sudah dalam posisi mati sebelum menghubungkannya ke sumber listrik dan/ atau baterai, mengambil, atau membawa perkakas.**
Membawa perkakas listrik dengan jari Anda masih menempel pada tombol atau menghidupkan perkakas listrik yang tombolnya masih menyala akan berpotensi mengakibatkan kecelakaan.
- d) **Lepaskan semua kunci setelan atau kunci pas sebelum menghidupkan perkakas listrik.** Kunci pas atau kunci yang dibiarkan terpasang pada komponen perkakas listrik yang berputar dapat mencederai diri.
- e) **Jangan melampaui batas. Selalu jaga pijakan dan keseimbangan yang baik.** Hal ini memungkinkan Anda untuk mengendalikan perkakas listrik secara lebih baik dalam situasi yang tidak terduga.
- f) **Kenakan pakaian yang sesuai. Jangan mengenakan pakaian longgar atau perhiasan. Jauhkan rambut, pakaian dan dari komponen yang bergerak.** Pakaian yang longgar, perhiasan atau rambut panjang dapat tersangkut pada komponen yang bergerak.
- g) **Jika disediakan perangkat untuk sambungan fasilitas pengeluaran dan pengumpulan debu, pastikan perkakas ini dihubungkan dan digunakan dengan sesuai.** Penggunaan perkakas pengumpul debu dapat mengurangi bahaya yang ditimbulkan oleh debu.
- h) **Jangan biarkan diri Anda lengah dikarenakan terbiasa menggunakan perkakas, membuat Anda berpuas diri dan mengabaikan prinsip keselamatan perkakas.** Tindakan ceroboh dapat menyebabkan cedera parah dalam hitungan sepersekian detik.

4) Penggunaan Dan Perawatan Perkakas Listrik

- a) **Jangan menggunakan perkakas listrik dengan paksa. Gunakan perkakas listrik yang sesuai untuk aplikasi Anda.** Perkakas listrik yang tepat akan bekerja lebih baik dan aman pada tingkat kelajuan yang telah dirancang untuk perkakas itu.
- b) **Jangan gunakan perkakas listrik ini jika tombol tidak dapat menghidupkan dan mematikan**

perkakas. Perkakas listrik apa pun yang tidak dapat dikendalikan dengan tombol adalah berbahaya dan harus diperbaiki.

- c) **Lepaskan stop kontak dari sumber listrik dan/atau baterai, jika dilepas dari perkakas listrik sebelum melakukan penyetulan apa pun, mengganti aksesoris, atau menyimpan perkakas listrik.**
Tindakan pencegahan demi keselamatan tersebut akan mengurangi risiko menjalankan perkakas listrik secara tidak disengaja.
- d) **Simpan perkakas listrik yang tidak digunakan jauh dari jangkauan anak-anak, dan jangan membolehkan orang yang tidak memahami perkakas listrik atau petunjuk ini untuk mengoperasikannya.** Perkakas listrik bisa berbahaya bila digunakan oleh pengguna yang tidak terlatih.
- e) **Rawat perkakas dan aksesoris listrik. Lakukan pemeriksaan untuk mengetahui apakah ada komponen bergerak yang tidak sejajar atau bengkok, komponen yang patah, dan kondisi lainnya yang dapat mempengaruhi pengoperasian perkakas listrik. Jika rusak, perbaiki perkakas listrik sebelum digunakan.** Banyak terjadi kecelakaan akibat perkakas listrik yang tidak dirawat dengan baik.
- f) **Jaga ketajaman dan kebersihan perkakas pemotong.** Perkakas pemotong yang dirawat dengan baik dengan pisau potong yang tajam akan kecil kemungkinannya untuk tersangkut serta lebih mudah untuk dikendalikan.
- g) **Gunakan perkakas listrik, aksesoris, mata bor, dsb, sesuai petunjuk ini, dengan memperhitungkan persyaratan kerja dan jenis pekerjaan yang harus dilakukan.** Penggunaan perkakas listrik untuk pengoperasian yang tidak sesuai dengan tujuan penggunaan dapat mengakibatkan situasi yang berbahaya.
- h) **Menjaga agar pegangan dan permukaan pegangan tetap kering, bersih, bebas dari minyak dan lemak.** Pegangan dan permukaan nya yang licin dapat mengakibatkan sulit untuk mengendalikan perkakas dalam keadaan yang tidak terduga.

5) Servis

- a) **Perkakas listrik sebaiknya diservis oleh teknisi yang mahir, berpengalaman dan hanya menggunakan komponen pengganti yang persis sama.** Ini akan menjamin keselamatan perkakas terpelihara.

Aturan Keselamatan Tambahan untuk gergaji ukir

- **Pegang perkakas listrik pada permukaan pegangan berinsulasi saat melakukan tindakan karena aksesoris pemotong dapat mengenai kabel yang tersembunyi atau kabelnya sendiri.** Aksesoris pemotong yang bersentuhan dengan kabel bertegangan listrik dapat mengalirkan arus listrik pada komponen logam perkakas listrik dan mengakibatkan sengatan listrik pada pengguna.
- **Gunakan penjepit atau cara praktis lain untuk mengamankan dan menyangga benda yang dikerjakan**

pada permukaan yang stabil. Memegang benda yang dikerjakan dengan tangan atau disandarkan pada tubuh Anda akan membuatnya tidak stabil dan dapat mengakibatkan hilangnya kendali.

- **Jauhkan tangan dari area pemotongan. Jangan pernah menjangkau bagian bawah material yang dikerjakan dengan alasan apa pun.** Jangan memasukkan jari atau jempol di dekat mata pisau dan penjepit mata pisau. Jangan menstabilkan gergaji dengan memegang bantalan gergaji.
- **Jaga agar pisau gergaji tetap tajam.** Mata pisau yang tumpul atau rusak dapat menyebabkan gergaji berbelok atau tertahan di bawah tekanan. Selalu gunakan jenis mata pisau gergaji yang sesuai untuk bahan yang sedang dikerjakan dan jenis pemotongannya.
- **Saat memotong pipa atau saluran, pastikan bahwa pipa atau saluran itu bebas dari air, kabel listrik dll.**
- **Jangan sentuh benda kerja yang sedang dikerjakan atau pisau gergaji setelah mengoperasikan perkakas.** Bagian-bagian ini bisa jadi sangat panas.
- **Ketahui bahaya yang dapat terjadi sebelum memotong dinding, lantai, atau plafon, periksa lokasi kabel dan pipa.**
- **kemungkinan pisau gergaji masih terus bergerak setelah sakelar dilepas akan terus bergerak setelah sakelar dilepas.** Selalu matikan sakelar perkakas dan tunggu pisau gergaji sampai benar-benar berhenti sebelum menyimpan perkakas demi keselamatan kelistrikan.

Keselamatan Kelistrikan

Motor listrik dirancang sesuai dengan daya sesuai dengan tegangan yang tercantum di table buku manual tercantum pada papan nilai.



Perkakas DeWALT Anda sudah diinsulasi ganda sesuai IEC 60745; karena itu, tidak membutuhkan kabel yang dibumikan (Ground).

Jika rusak, kabel daya harus diganti hanya oleh produsen atau pusat layanan DeWALT resmi guna menghindari terjadinya bahaya.

Menggunakan Kabel Ekstensi

Jika kabel sambungan diperlukan, gunakan kabel sambungan yang disetujui dan sesuai untuk input daya perkakas ini (lihat **Data Teknis**). Ukuran konduktor minimum adalah 1,5 mm²; panjang maksimum adalah 30 m.

Bila menggunakan gulungan kabel, selalu ulur kabel sepenuhnya.

Isi Kemasan

Kemasan berisi:

- 1 Gergaji ukir
- 1 Pisau gergaji ukir
- 1 Penutup sol antistatik
- 1 Buku petunjuk
- *Periksa kemungkinan adanya kerusakan pada perkakas, komponen, atau aksesoris yang bisa jadi terjadi selama transportasi.*
- *Luangkan waktu untuk membaca seluruh isi buku petunjuk ini dan memahaminya sebelum pengoperasian.*

Tanda pada Perkakas

Gambar-gambar berikut ini tertera pada perkakas:



Baca buku petunjuk manual sebelum penggunaan.



Gunakan pelindung telinga.



Gunakan pelindung mata

Posisi Kode Tanggal (Gbr. A)

Kode tanggal **11**, yang juga mencantumkan tahun produksi, dicetak pada kerangka perkakas.

Contoh:

XXXX XX XX

Tahun Pembuatan

Deskripsi (Gbr. A)



PERINGATAN: Jangan pernah memodifikasi perkakas listrik atau komponennya. Ini dapat mengakibatkan kerusakan atau cedera pribadi.

- 1 Sakelar hidup/mati
- 2 Tombol pengunci
- 3 Tuas pengunci mata pisau gergaji
- 4 Pisau gergaji ukir
- 5 Selongsong bantalan
- 6 Bantalan
- 7 Tuas penyiku bantalan
- 8 Pemutar kontrol kecepatan
- 9 Pengatur gerak pendulum
- 10 Pemegang mata pisau

Tujuan Penggunaan

Gergaji ukir Anda telah dirancang untuk penggunaan penggergajian profesional. Gergaji ukir DeWALT Anda DWE349 telah dirancang untuk menggergaji kayu, plastik, logam, karet, dan pelat keramik.

JANGAN gunakan dalam kondisi basah atau di dekat cairan maupun gas yang mudah terbakar.

Gergaji ukir ini adalah perkakas kelistrikan profesional.

JANGAN biarkan anak-anak bersentuhan dengan perkakas ini. Dibutuhkan pengawasan bila perkakas ini digunakan oleh operator yang belum berpengalaman.

- Perkakas ini tidak ditujukan untuk digunakan oleh orang (termasuk anak-anak) dengan keterbatasan kemampuan fisik, sensor, maupun mental atau kurang pengalaman maupun pengetahuan, kecuali jika dibawah pengawasan atau menerima petunjuk tentang penggunaan perkakas oleh orang yang bertanggung jawab atas keselamatan mereka. Anak-anak harus dalam pengawasan untuk memastikan tidak bermain dengan perkakas ini.

PERAKITAN DAN PENYESUAIAN

! **PERINGATAN:** Untuk mengurangi risiko cedera pribadi yang berat, matikan perkakas dan lepaskan dari sumber listrik sebelum melakukan penyesuaian apa pun atau melepaskan/memasang pelengkap atau aksesoris. Perkakas yang mendadak menyala dapat mengakibatkan cedera.

Pemasangan Pisau Gergaji (Gbr. B)

! **PERINGATAN:** Ketika memasang mata pisau gergaji, gunakan sarung tangan pelindung. Bahaya cedera saat menyentuh mata pisau gergaji.

! **PERINGATAN:** Gunakan mata pisau tipe T saja. Menggunakan mata pisau selain dari mata pisau tipe T akan menyebabkan mata pisau tidak terpasang dengan kencang, dan berakibat pada cedera pribadi yang serius.

1. Tekan tuas pengunci mata pisau gergaji **3** ke atas.
2. Dengan gerigi gergaji yang menghadap ke depan, masukkan kaki mata pisau ke dalam penahan mata pisau sedalam mungkin.
3. Lepaskan tuas.
4. Periksa untuk memastikan pisau gergaji telah terpasang kuat. Mata pisau gergaji yang longgar dapat mengakibatkan cedera.

Mengatur Bantalan Untuk Pemotongan

Sudut Siku (Gbr. C)

! **PERINGATAN:** Jangan pernah gunakan perkakas jika bantalan longgar atau lepas. Pelat bantalan dapat diatur ke sudut kemiringan kiri atau kanan hingga 45°

Mengatur Sudut Kemiringan

1. Tarik tuas penyiku bantalan **7** ke luar dan menjauhi gergaji untuk membuka kunci bantalan **6** seperti yang ditampilkan pada Gambar C.
2. Geser bantalan ke depan untuk melepaskannya dari posisi henti positif 0°.
3. Bantalan dapat dimiringkan ke kiri atau ke kanan dan memiliki setelan penahan 15°, 30° dan 45°.
4. Atur bantalan ke sudut kemiringan yang diinginkan. Gunakan busur derajat untuk memastikan keakuratan sudut.
5. Dorong tuas penyiku bantalan kembali ke arah gergaji untuk mengunci bantalan.

Mengatur Ulang Guna Mendapatkan Pemotongan Yang lurus

1. Tarik tuas penyiku bantalan **7** ke luar dan menjauhi gergaji untuk membuka kunci bantalan **6** seperti yang ditunjukkan dalam Gambar C.
2. Putar bantalan ke sudut sekitar 0° lalu tarik bantalan ke belakang untuk mengikat hentian positif 0°.
3. Dorong tuas penyiku bantalan kembali ke arah gergaji untuk mengunci Pengoperasian bantalan.

PENGOPERASIAN

PETUNJUK PENGGUNAAN

! **PERINGATAN:** Selalu patuhi petunjuk keselamatan dan peraturan yang berlaku.

! **PERINGATAN:** Untuk mengurangi risiko cedera pribadi yang berat, matikan perkakas dan lepaskan dari sumber listrik sebelum melakukan penyesuaian apa pun atau melepaskan/memasang pelengkap atau aksesoris. Pengaktifan perkakas secara tidak sengaja dapat mengakibatkan cedera.

! **PERINGATAN:**

- Pastikan benda yang dikerjakan diperkuat. Buang paku, sekrup, dan penahan lainnya yang dapat merusak mata pisau.
- Periksa apakah ruang di bawah pisau gergaji cukup di bawah bagian yang akan dikerjakan.
- Jangan potong material yang melebihi kedalaman pemotongan maksimum dari pisau gergaji.
- Hanya gunakan mata pisau gergaji yang tajam. Mata gergaji yang rusak atau bengkok harus segera dilepas.
- Jangan gunakan perkakas untuk menggergaji pipa atau tabung.
- Jangan pernah jalankan perkakas tanpa mata pisau gergaji.
- Untuk hasil yang optimal, pindahkan perkakas secara perlahan dan tetap di atas bagian yang dikerjakan. Jangan menekan mata pisau gergaji secara terlalu berlebihan. Jaga bantalan tetap rata pada bagian yang dikerjakan dan jauhkan kabel sejajar dengan perkakas. Saat menggergaji bentuk kurva, lingkaran, atau bentuk melingkar lainnya, dorong perkakas ke depan secara perlahan.
- Tunggu sampai perkakas benar-benar berhenti sebelum melepas mata pisau gergaji dari benda yang dikerjakan. Setelah menggergaji mata pisau bisa menjadi sangat panas. Jangan sentuh mata pisau.

Posisi Tangan Yang Benar (Gbr. D)

! **PERINGATAN:** Untuk mengurangi risiko cedera diri yang serius, **SELALU** gunakan posisi tangan yang tepat sesuai petunjuk gambar.

! **PERINGATAN:** Untuk mengurangi risiko cedera diri yang serius, **SELALU** pegang dengan erat untuk mengantisipasi reaksi mendadak.

Posisi tangan yang benar berarti satu tangan pada pegangan utama **13** dan tangan lainnya pada pegangan samping **12**.

Menghidupkan dan Mematikan (Gbr. A)

- Untuk menghidupkan perkakas, tekan sakelar pemicu **1**.
- Untuk penggunaan yang terus-menerus, tekan sakelar pemicu, lalu tekan tombol pengunci **2**. setelah tombol pengunci ditekan, lepaskan sakelar pemicu

- Untuk mematkan perkakas, lepaskan sakelar pemicu. Untuk mematkan perkakas, saat dalam penggunaan terus menerus, tekan pemicu, dan kunci akan lepas dengan sendirinya.

Kontrol Kecepatan Variabel (Gbr. E)



PERINGATAN: Jika perkakas dioperasikan terus menerus pada kecepatan rendah dalam jangka waktu lama, motor akan kelebihan beban dan memanas.

Pemutar kontrol kecepatan 8 terletak di atas gergaji. Kecepatan meningkat saat pemutar diputar dari pengaturan kecepatan rendah 1 ke pengaturan kecepatan tinggi 6.

Lihat tabel untuk memilih kecepatan yang sesuai dengan benda yang akan dipotong. Namun, kecepatan yang sesuai mungkin berbeda dengan jenis atau ketebalan benda yang dikerjakan.

Secara umum, kecepatan lebih tinggi memungkinkan Anda memotong benda yang dikerjakan lebih cepat namun umur pakai dari mata pisau akan berkurang.

Material	Pengaturan Kontrol Kecepatan Variabel
Kayu	5-6
Baja tahan karat	3-4
Baja sedang	3-6
Aluminium	3-6
Plastik	1-4

Tindakan Memotong – Melingkar atau Lurus (Gbr. A)



PERINGATAN: Pastikan bahwa perkakas tidak dalam keadaan terkunci menyala sebelum menghubungkannya dengan sumber listrik. Jika sakelar pemicu terkunci saat perkakas terhubung ke sumber listrik, perkakas akan segera menyala. Akibatnya, perkakas dapat rusak atau cedera pribadi dapat terjadi.

Gergaji ukir ini dilengkapi dengan empat tindakan pemotongan, tiga melingkar dan satu lurus. Tindakan melingkar memiliki gerakan mata pisau yang lebih agresif dan dirancang untuk memotong material yang lunak seperti kayu atau plastik.

Tindakan pemutar menghasilkan pemotongan yang lebih cepat, namun dengan potongan yang tidak begitu lembut di sepanjang material. Dalam tindakan melingkar, mata pisau bergerak maju selama gerakan memotong selain gerakan ke atas dan ke bawah.

CATATAN: Logam atau kayu keras tidak boleh dipotong secara melingkar.

Mengatur Gerak Pendulum

1. Pindahkan tuas tindakan pemotong 9 di antara empat posisi pemotongan: 0, 1, 2, dan 3.
2. Posisi 0 adalah pemotongan lurus.
3. Posisi 1, 2, dan 3 adalah pemotongan melingkar.

Agresivitas pemotongan meningkat saat tuas disesuaikan dari satu sampai tiga, dengan tiga sebagai pemotongan paling agresif.

Lengan Bantalan yang Dapat Dilepas (Gbr. F)

Selongsong bantalan pelindung 5 harus dipakai ketika memotong permukaan yang gampang tergores, seperti laminasi, pernis, atau cat. Juga dapat digunakan untuk melindungi permukaan bantalan saat dipindahkan dan disimpan.

Untuk memasang selongsong bantalan, masukan bagian depan bantalan 6 ke dalam selongsong bantalan dan turunkan gergaji ukir seperti yang ditunjukkan pada Gambar F. Selongsong bantalan akan terpasang dengan aman pada bagian belakang bantalan.

Untuk melepaskan selongsong bantalan, pegang selongsong dari bagian bawah pada bagian belakang dan tarik menjauhi bantalan.

Petunjuk penggunaan secara optimal

Penggergajian laminasi

Saat mata pisau gergaji memotong gerakan ke atas, serpihan dapat keluar pada permukaan yang paling dekat dengan pelat bantalan.

Gunakan mata pisau gergaji dengan gerigi halus.

Lakukan penggergajian dari bagian belakang permukaan benda kerja.

Untuk meminimalkan serpihan, sisipkan potongan kayu atau kardus keras ke kedua sisi benda kerja dan lakukan penggergajian melalui sisipan ini.

Penggergajian logam

- Perlu diketahui bahwa menggergaji logam memerlukan waktu lebih lama daripada menggergaji kayu.
- Gunakan mata pisau gergaji yang sesuai untuk menggergaji logam.
- Saat memotong logam tipis, sisipkan potongan kayu di bagian belakang permukaan yang benda kerja dan potong melalui sisipan ini.
- Oleskan lapisan minyak di sepanjang garis pemotongan untuk pengoperasian yang lebih mudah dan umur pakai mata pisau yang lebih panjang. Untuk memotong aluminium, lebih baik menggunakan minyak tanah.

Pemotongan Robekan/Lingkaran (Gbr. G, H)

Pemotongan menyobek dan lingkaran tanpa garis pensil lebih mudah menggunakan pemandu penggaris (fence)/lingkaran (tidak disertakan; tersedia dengan biaya ekstra).

Dengan menggunakan sekrup yang disertakan bersama buku panduan aksesoris, posisikan ulir sekrup ke dalam bantalan untuk menjepit penggaris fence dengan aman.

Saat melakukan pemotongan robekan, geser penggaris rip fence di bawah sekrup dari kedua sisi gergaji. Atur batang lintang pada jarak yang diinginkan dari mata pisau dan kencangkan sekrup. Untuk pemotongan sobekan, batang lintang harus turun dan menyandar pada tepi yang lurus dari benda yang akan dikerjakan.

Saat melakukan pemotongan lingkaran, sesuaikan penggaris rip fence agar jarak dari mata pisau ke lubang dalam lengan penggaris berada pada radius yang diinginkan dan kencangkan sekrup. Tempatkan gergaji agar lubang lengan penggaris di atas bagian tengah dari lingkaran yang akan dipotong (bor lubang untuk mata pisau atau potong ke dalam dari tepi material untuk

menempatkan mata pisau pada posisinya). Ketika gergaji telah ditempatkan pada posisi yang sesuai, gerakan paku kecil melalui lubang dalam lengan penggaris. Menggunakan penggaris rip fence sebagai lengan poros, mulailah memotong lingkaran. Untuk pemotongan lingkaran, batang lintang harus berdiri.

Perawatan

Perkakas listrik Anda telah dirancang untuk penggunaan jangka panjang dengan pemeliharaan minimal. Pengoperasian yang memuaskan secara terus-menerus bergantung pada cara pemeliharaan yang benar dan pembersihan perkakas secara teratur.



PERINGATAN: Untuk mengurangi risiko cedera pribadi yang berat, matikan perkakas dan lepaskan dari sumber listrik sebelum melakukan penyesuaian apa pun atau melepaskan/memasang pelengkap atau aksesoris. Pengaktifan perkakas secara tidak sengaja dapat mengakibatkan cedera.



Pelumasan

Perkakas listrik Anda tidak membutuhkan pelumas tambahan.



Pembersihan



PERINGATAN: Semprot ke luar kotoran dan debu pada bodi utama dengan udara kering sesering mungkin saat kotoran terlihat mengendap di dalam dan di sekitar ventilasi udara. Gunakan pelindung mata yang sesuai dan masker debu yang sesuai bilamana mengerjakan prosedur ini.



PERINGATAN: Jangan gunakan pelarut atau bahan kimia keras lainnya untuk membersihkan bagian perkakas yang tidak terbuat dari logam. Zat-zat kimia tersebut dapat merapuhkan bahan yang digunakan dalam komponen-komponen ini. Gunakan kain yang dilembapkan hanya dengan air dan sabun yang lembut. Jangan sampai bagian dalam perkakas kemasukan air; jangan pernah rendam komponen perkakas dalam cairan.

Aksesoris yang Dapat Dipilih



PERINGATAN: Berhubung aksesoris-aksesoris lain, di luar yang disediakan oleh DeWALT, belum pernah diuji coba menggunakan produk ini, maka penggunaan aksesoris semacam itu dengan perkakas ini dapat berbahaya. Untuk mengurangi risiko cedera, gunakan hanya aksesoris DeWALT yang disarankan dengan produk ini.

Tanyakan kepada dealer Anda untuk informasi selengkapnya seputar aksesoris yang sesuai.

Melindungi Lingkungan



Pengumpulan terpisah. Produk yang ditandai dengan simbol ini tidak boleh dibuang bersama dengan sampah rumah tangga biasa.

Produk berisi bahan yang dapat digunakan kembali atau didaur ulang yang mengurangi permintaan kebutuhan bahan baku. Harap mendaur ulang produk listrik baterai sesuai dengan ketentuan setempat. Informasi selengkapnya tersedia di www.2helpU.com.

PURNA PENJUALAN DAN PERBAIKAN

Pusat Servis DEWALT mempekerjakan personel terlatih untuk menyediakan pelanggan dengan layanan produk yang efisien dan andal. Kami tidak bertanggung jawab jika Anda melakukan perbaikan pada pusat servis yang tidak resmi. Lihat brosur PENCARI LOKASI PUSAT SERVIS pada kemasan produk dan hubungi kami melalui saluran telepon khusus, situs web, atau media sosial untuk menemukan pusat servis DEWALT terdekat di sekitar Anda.