

*If you have questions or comments, contact us.
Pour toute question ou tout commentaire, nous contacter.
Si tiene dudas o comentarios, contáctenos.*

1-800-4-DEWALT • www.dewalt.com

**INSTRUCTION MANUAL
GUIDE D'UTILISATION
MANUAL DE INSTRUCCIONES**

INSTRUCTIVO DE OPERACIÓN, CENTROS DE SERVICIO
Y PÓLIZA DE GARANTÍA. **ADVERTENCIA:** LÉASE ESTE
INSTRUCTIVO ANTES DE USAR EL PRODUCTO.

DEWALT®

**D25980
Heavy-Duty Pavement Breaker
Brise-béton robuste
Martillo rompedor para trabajos pesados**

IF YOU HAVE ANY QUESTIONS OR COMMENTS ABOUT THIS OR ANY DEWALT TOOL, CALL US TOLL FREE AT: 1-800-4-DEWALT (1-800-433-9258)

General Safety Rules



WARNING! To reduce risk of injury, user must read instruction manual.

Failure to follow all instructions listed below may result in electric shock, fire and/or serious injury. The term "power tool" in all of the warnings listed below refers to your mains-operated (corded) power tool or battery-operated (cordless) power tool.

SAVE THESE INSTRUCTIONS

1) WORK AREA SAFETY

- Keep work area clean and well lit.** Cluttered or dark areas invite accidents.
- Do not operate power tools in explosive atmospheres, such as in the presence of flammable liquids, gases or dust.** Power tools create sparks which may ignite the dust or fumes.
- Keep children and bystanders away while operating a power tool.** Distractions can cause you to lose control.

2) ELECTRICAL SAFETY

- Power tool plugs must match the outlet. Never modify the plug in any way. Do not use any adapter plugs with earthed (grounded) power tools.** Unmodified plugs and matching outlets will reduce risk of electric shock
- Avoid body contact with earthed or grounded surfaces such as pipes, radiators, ranges and refrigerators.** There is an increased risk of electric shock if your body is earthed or grounded.
- Do not expose power tools to rain or wet conditions.** Water entering a power tool will increase the risk of electric shock
- Do not abuse the cord. Never use the cord for carrying, pulling or unplugging the power tool. Keep cord away from heat, oil, sharp edges or moving parts.** Damaged or entangled cords increase the risk of electric shock. Have damaged cords repaired by authorized service center immediately. Make sure your extension cord is in good condition. Use only 3-wire extension cords that have 3-prong grounding-type plugs and 3-pole receptacles that accept the tool's plug.
- When operating a power tool outdoors, use an extension cord suitable for outdoor use.** Make sure your extension cord is in good condition. Use of a cord suitable for outdoor use reduces the risk of electric shock. When using an extension cord, be sure to use one heavy enough to carry the current your product will draw. An undersized cord will cause a drop in line voltage resulting in loss of power and overheating. The following table shows the correct size to use depending on cord length and nameplate ampere rating. If in doubt, use the next heavier gauge. The smaller the gauge number, the heavier the cord.

Ampere Rating		Minimum Gauge for Cord Sets				
		Volts	Total Length of Cord in Feet (meters)			
		120V	25 (7.6)	50 (15.2)	100 (30.5)	150 (45.7)
		240V	50 (15.2)	100 (30.5)	200 (61.0)	300 (91.4)
More Than	Not More Than	AWG				
0	6		18	16	16	14
6	10		18	16	14	12
10	12		16	16	14	12
12	16		14	12	Not Recommended	

3) PERSONAL SAFETY

- Stay alert, watch what you are doing and use common sense when operating a power tool. Do not use a power tool while you are tired or under the influence of drugs, alcohol or medication.** A moment of inattention while operating power tools may result in serious personal injury.
- Use safety equipment. Always wear eye protection.** Safety equipment such as dust mask, non-skid safety shoes, hard hat, or hearing protection used for appropriate conditions will reduce personal injuries.
- Avoid accidental starting. Ensure the switch is in the off-position before plugging in.** Carrying power tools with your finger on the switch or plugging in power tools that have the switch on invites accidents.
- Remove any adjusting key or wrench before turning the power tool on.** A wrench or a key left attached to a rotating part of the power tool may result in personal injury.
- Do not overreach. Keep proper footing and balance at all times.** This enables better control of the power tool in unexpected situations.
- Dress properly. Do not wear loose clothing or jewellery. Keep your hair, clothing and gloves away from moving parts.** Loose clothes, jewellery or long hair can be caught in moving parts. Air vents often cover moving parts and should also be avoided.
- If devices are provided for the connection of dust extraction and collection facilities, ensure these are connected and properly used.** Use of these devices can reduce dust-related hazards.

4) POWER TOOL USE AND CARE

- Do not force the power tool. Use the correct power tool for your application.** The correct power tool will do the job better and safer at the rate for which it was designed.
- Do not use the power tool if the switch does not turn it on and off.** Any power tool that cannot be controlled with the switch is dangerous and must be repaired.
- Disconnect the plug from the power source and/or the battery pack from the power tool before making any adjustments, changing accessories, or storing power tools.** Such preventive safety measures reduce the risk of starting the power tool accidentally.
- Store idle power tools out of the reach of children and do not allow persons unfamiliar with the power tool or these instructions to operate the power tool.** Power tools are dangerous in the hands of untrained users.
- Maintain power tools. Check for misalignment or binding of moving parts, breakage of parts and any other condition that may affect the power tools operation. If damaged, have the power tool repaired before use.** Many accidents are caused by poorly maintained power tools.
- Keep cutting tools sharp and clean.** Properly maintained cutting tools with sharp cutting edges are less likely to bind and are easier to control.
- Use the power tool, accessories and tool bits etc., in accordance with these instructions and in the manner intended for the particular type of power tool, taking into account the working conditions and the work to be performed.** Use of the power tool for operations different from those intended could result in a hazardous situation.

5) SERVICE

- Have your power tool serviced by a qualified repair person using only identical replacement parts.** This will ensure that the safety of the power tool is maintained.

Additional Safety Instructions for Pavement Breakers

- Hold power tools by insulated gripping surfaces when performing an operation where the cutting tool may contact hidden wiring or its own cord.** Contact with a "live" wire will make exposed metal parts of the tool "live" and shock the operator.

Be certain that the material being worked does not conceal electric or gas service and that their locations have been verified with the utility companies.

- **Wear ear protectors.** Exposure to noise can cause hearing loss.
- **Use auxiliary handles supplied with the tool.** Loss of control can cause personal injury.

Keep a firm grip on the tool at all times. Do not attempt to operate this tool without holding it with both hands. Operating this tool with one hand will result in loss of control. Breaking through or encountering hard materials such as re-bar may be hazardous as well. Tighten the side handle securely before use.

- **Wear safety goggles or other eye protection.** Hammering operations cause chips to fly. Flying particles can cause permanent eye damage. Wear a dust mask or respirator for applications that generate dust. Ear protection may be required for most applications.
- **Do not operate this tool for long periods of time.** Vibration caused by hammer action may be harmful to your hands and arms. Use gloves to provide extra cushion and limit exposure by taking frequent rest periods.
- **Do not recondition bits yourself.** Chisel reconditioning should be done by an authorized specialist. Improperly reconditioned chisels could cause injury.
- **Wear gloves when operating tool or changing bits.** Accessible metal parts on the tool and bits may get extremely hot during operation. Small bits of broken material may damage bare hands.
- **Never lay the tool down until the bit has come to a complete stop.** Moving bits could cause injury.
- **Do not strike jammed bits with a hammer to dislodge them.** Fragments of metal or material chips could dislodge and cause injury.
- **Slightly worn chisels can be resharpened by grinding.**
- **Keep the power cord away from the bit. Do not wrap the cord around any part of your body.** An electric cord wrapped around a bit may cause electric shock.

⚠ WARNING: ALWAYS wear certified safety equipment:

- ANSI Z87.1 eye protection (CAN/CSA Z94.3),
- ANSI S12.6 (S3.19) hearing protection,
- NIOSH/OSHA/MSHA respiratory protection.

⚠ WARNING: Some dust created by power sanding, sawing, grinding, drilling, and other construction activities contains chemicals known to cause cancer, birth defects or other reproductive harm. Some examples of these chemicals are:

- lead from lead-based paints,
- crystalline silica from bricks and cement and other masonry products, and
- arsenic and chromium from chemically-treated lumber (CCA).

Your risk from these exposures varies, depending on how often you do this type of work. To reduce your exposure to these chemicals: work in a well ventilated area, and work with approved safety equipment, such as those dust masks that are specially designed to filter out microscopic particles.

- **Avoid prolonged contact with dust from power sanding, sawing, grinding, drilling, and other construction activities. Wear protective clothing and wash exposed areas with soap and water.** Allowing dust to get into your mouth, eyes, or lay on the skin may promote absorption of harmful chemicals.

⚠ WARNING: Use of this tool can generate and/or disburse dust, which may cause serious and permanent respiratory or other injury. Always use NIOSH/OSHA approved respiratory protection appropriate for the dust exposure. Direct particles away from face and body.

⚠ WARNING: ALWAYS use respiratory protection. All users and bystanders must wear respiratory protection that conforms to NIOSH/OSHA/MSHA standards.

⚠ WARNING: ALWAYS use eye protection. Everyday eyeglasses are **NOT** safety glasses. All users and bystanders must wear eye protection that conforms to ANSI Z87.1.

⚠ WARNING: ALWAYS wear proper personal hearing protection that conforms to ANSI S12.6 (S3.19) during use. Under some conditions and duration of use, noise from this product may contribute to hearing loss.

- The label on your tool may include the following symbols. The symbols and their definitions are as follows:

V..... volts	A amperes
Hz..... hertz	W watts
min minutes	~ alternating current
— direct current	n ₀ no load speed
Ⓛ Class I Construction (grounded)	Ⓧ earthing terminal
Ⓢ Class II Construction (double insulated)	⚠ safety alert symbol
BPM beats per minute	.../min revolutions or reciprocation per minute

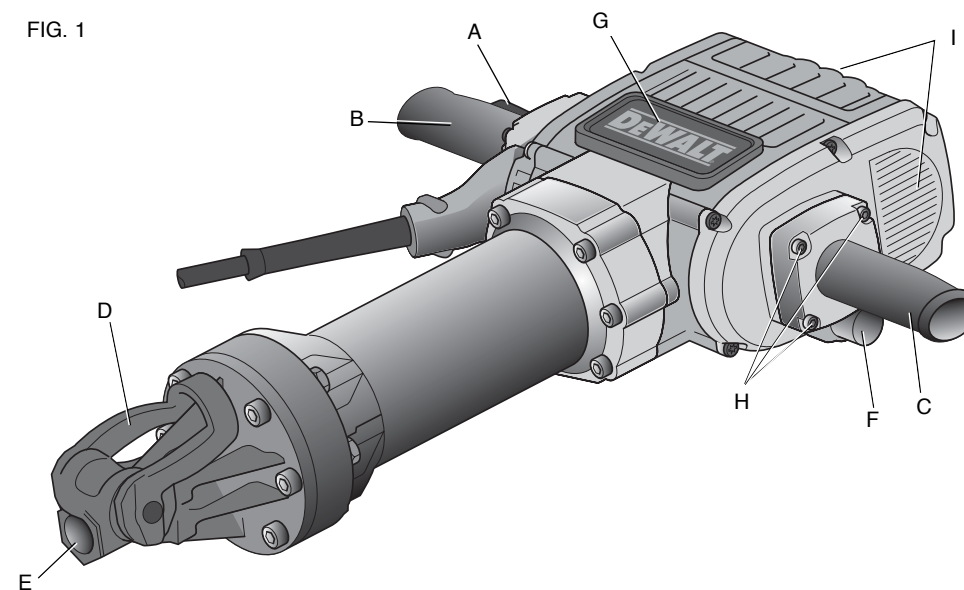
SAVE THESE INSTRUCTIONS

COMPONENTS (FIG. 1)

NOTE: Left and right describes the location of the part with the operator standing behind the pavement breaker with the front of the tool facing away.

- | | |
|----------------------|-----------------------------|
| A. ON/OFF switch | F. Active vibration control |
| B. Right side handle | G. Front of tool |
| C. Left side handle | H. Hex head screws |
| D. Bit retainer | I. Air vents |
| E. Bit holder | |

FIG. 1



ASSEMBLY

Side Handle (Fig. 1)

⚠ CAUTION: Always operate the tool with the side handle properly assembled. Hold tool with both hands to maximize control.

Attach left side handle (C) with four hex head screws (H, supplied). Tighten with hex wrench supplied.

FEATURES (FIG. 1)

The D25980 Pavement Breaker has been designed for professional heavy-duty demolition, applications in concrete, brick, stone and other masonry materials.

ON/OFF Switch

The weight of the hand will active/deactivate the ON/OFF switch. Firmly grasp pavement breaker while applying pressure with the right hand to turn the pavement breaker on. To turn the tool off, remove the right hand to relieve pressure from the switch.

Soft Start

Holding tool by both handles depress the ON/OFF switch (A). The Soft Start feature allows the impact rate to build up more slowly preventing the bit or point from bouncing around on the surface. To stop the pavement breaker pull up on hand to relieve pressure from the switch to turn the tool OFF.

SHOCKS™ – Active Vibration Control

The active vibration control (F) helps absorb the vibration transmitted to the user. This improves user comfort and safety during operation.

Hold the tool firmly with one hand on the left side handle (C) and the other hand on the right side handle (B). Using the right hand apply weight to the ON/OFF switch (A) to turn on. Apply only enough pressure to the work area to engage the active vibration control. Applying too much pressure will not make the pavement breaker chisel faster and the active vibration control will not engage.

OPERATION

⚠ CAUTION: Always hold tool with both hands to maximize control. Allow the hammer to do the work. Excessive added force shortens the life of the hammer and the accessory.

Bits

⚠ WARNING: ALWAYS turn off tool and disconnect the tool from the power source before making any adjustments or removing or installing attachments or accessories. Such preventative safety measures reduce the risk of starting the tool accidentally.

⚠ WARNING: ALWAYS wear gloves when you change bits. Accessible metal parts on the tool and bits may get extremely hot during operation.

⚠ WARNING: To reduce the risk of injury, only DEWALT recommended accessories should be used with this product. A variety of bits are available from your local retailer.

NOTE: Insert bits with the front of tool (G) facing up.

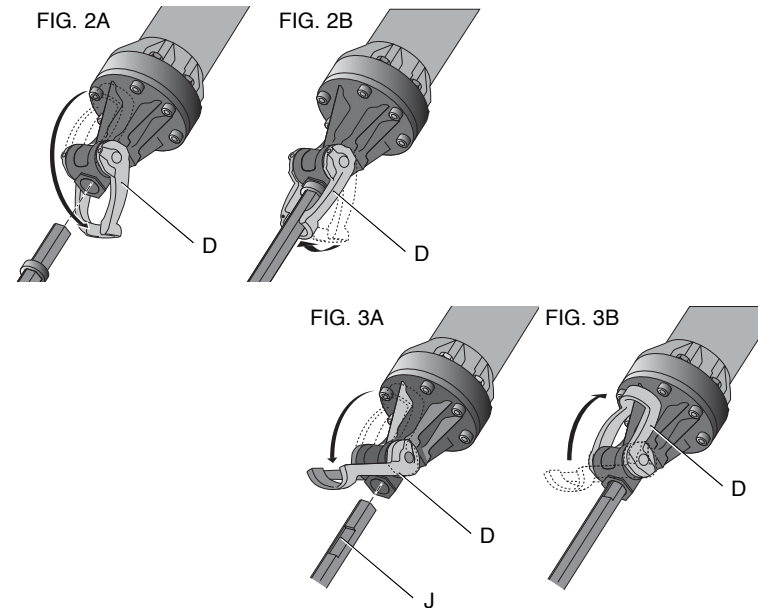
TO INSERT AIR STEEL BITS (RING-ONLY BIT)

1. Pull bit retainer (D) open as shown in Figure 2a.
2. Insert bit into bit holder (E) and close bit retainer onto bit as shown in Figure 2b.

TO INSERT TOOL STEEL BITS (NOTCH-ONLY BIT)

1. Pull bit retainer (D) open as shown in Figure 3a.
2. Insert bit with notch (J) facing up into bit holder (E).
3. Pull bit retainer up to lock into position as shown in Figure 3b.

Use either of the above methods to insert combination steel (notch and ring bit)



To Operate

NOTE: Use sharp drill bits only.

1. Insert bit as described in **Bits**.
2. Standing behind the tool with both hands on the handles, depress the ON/OFF switch to start the tool. Hold handles firmly to control tool.
3. Remove hand to relieve pressure from the ON/OFF switch to turn the tool OFF.
4. Place hands under handles and lift up to move tool.

MAINTENANCE

Cleaning

⚠ CAUTION: When cleaning, use only a damp cloth on plastic parts. Many household cleaners contain chemicals which could seriously damage plastic. Also, do not use gasoline, turpentine, lacquer or paint thinner, dry cleaning fluids or similar products which may seriously damage plastic parts. Never let any liquid get inside the tool; never immerse any part of the tool into a liquid. Keep the air vents (I) clear and regularly clean the housing with a soft cloth.

Lubrication

The tool requires no additional lubrication.

Accessories

⚠ WARNING: Since accessories, other than those offered by DEWALT, have not been tested with this product, use of such accessories with this tool could be hazardous. To reduce the risk of injury, only DEWALT recommended accessories should be used with this product.

Recommended accessories for use with your tool are available at extra cost from your local service center. If you need any assistance in locating any accessory, please contact DEWALT Industrial Tool Co., 701 East Joppa Road, Baltimore, MD 21286, call 1-800-4-DEWALT (1-800-433-9258) or visit our website www.dewalt.com.

Repairs

To assure product SAFETY and RELIABILITY, repairs, maintenance and adjustment (including brush inspection and replacement) should be performed by a DEWALT factory service center, a DEWALT authorized service center or other qualified service personnel. Always use identical replacement parts.

Three Year Limited Warranty

DEWALT will repair, without charge, any defects due to faulty materials or workmanship for three years from the date of purchase. This warranty does not cover part failure due to normal wear or tool abuse. For further detail of warranty coverage and warranty repair information, visit www.dewalt.com or call 1-800-4-DEWALT (1-800-433-9258). This warranty does not apply to accessories or damage caused where repairs have been made or attempted by others. This warranty gives you specific legal rights and you may have other rights which vary in certain states or provinces.

In addition to the warranty, DEWALT tools are covered by our:

2 YEAR FREE SERVICE

DEWALT will maintain the tool and replace worn parts caused by normal use, for free, any time during the first two years after purchase.

90 DAY MONEY BACK GUARANTEE

If you are not completely satisfied with the performance of your DEWALT Power Tool, Laser, or Nailer for any reason, you can return it within 90 days from the date of purchase with a receipt for a full refund – no questions asked.

LATIN AMERICA: This warranty does not apply to products sold in Latin America. For products sold in Latin America, see country specific warranty information contained either in the packaging, call the local company or see website for warranty information.

FREE WARNING LABEL REPLACEMENT: If your warning labels become illegible or are missing, call 1-800-4-DEWALT for a free replacement

Specifications

- Voltage..... 120 V~
- Current..... 15 A
- Frequency..... 60 Hz
- Power input..... 1800 W
- Beats per minute 870
- Tool holder..... 28 mm
- Weight..... 31 kg

D25980 PAVEMENT BREAKER	
SER. [REDACTED]	
⚠ WARNING	TO REDUCE THE RISK OF INJURY, USER MUST READ INSTRUCTION MANUAL. ALWAYS USE PROPER EYE, EAR AND RESPIRATORY PROTECTION. ALWAYS USE SIDE HANDLES.
⚠ ADVERTENCIA	LEA EL MANUAL DE INSTRUCCIONES PARA UN FUNCIONAMIENTO SEGURO. SIEMPRE UTILICE PROTECCIÓN ADECUADA PARA LOS OJOS, OÍDOS Y VÍAS RESPIRATORIAS. UTILICE SIEMPRE LAS MANIJAS LATERALES.
⚠ AVERTISSEMENT	À TITRE PRÉVENTIF, LIRE LE GUIDE. TOUJOURS UTILISER UNE PROTECTION OCULAIRE, AUDITIVE ET RESPIRATOIRE ADEQUATE. UTILISEZ TOUJOURS LES POIGNEES LATÉRALES.
DEWALT INDUSTRIAL TOOL CO., BALTIMORE, MD 21286 USA FOR SERVICE INFORMATION, CALL 1-800-4-DEWALT www.DEWALT.com	

SI VOUS AVEZ DES QUESTIONS OU VOULEZ NOUS FAIRE PART DE VOS COMMENTAIRES CONCERNANT CET OUTIL OU TOUT AUTRE OUTIL DEWALT, COMPOSEZ SANS FRAIS LE : 1 800 433-9258.

Règles générales de sécurité concernant les outils à piles



AVERTISSEMENT ! Afin de réduire le risque de blessures, l'utilisateur doit lire le mode d'emploi.

Tout manquement aux directives suivantes pose des risques de choc électrique, d'incendie et/ou de blessure grave. Le terme « outil électrique » dans tous les avertissements ci-après se rapporte à votre outil électrique à alimentation sur secteur (avec fil) ou par piles (sans fil).

CONSERVER CES DIRECTIVES

1) SÉCURITÉ - AIRE DE TRAVAIL

- Maintenir l'aire de travail propre et bien éclairée.** Les lieux encombrés ou sombres sont propices aux accidents.
- Ne pas faire fonctionner un outil électrique dans une atmosphère explosive, en présence par exemple de poussières, gaz ou liquides inflammables.** Les outils électriques peuvent engendrer des étincelles qui pourraient enflammer toute émanation ou poussière ambiante.
- Tenir les enfants, ou toute autre personne, éloignés pendant l'utilisation d'un outil électrique.** Toute distraction pourrait vous faire perdre la maîtrise de ce dernier.

2) SÉCURITÉ – ÉLECTRICITÉ

- La fiche électrique de l'outil doit correspondre à la prise murale. Ne jamais modifier la fiche en aucune façon. Ne jamais utiliser de fiche d'adaptation avec un outil électrique mis à la terre.** L'utilisation de fiches d'origine et de prises appropriées réduira les risques de choc électrique.
- Éviter tout contact corporel avec des éléments mis à la terre comme tuyaux, radiateurs, cuisinières ou réfrigérateurs.** Les risques de choc électrique augmentent lorsque le corps est mis à la terre.
- Ne pas exposer les outils électriques à la pluie ou à l'humidité.** Toute pénétration d'un outil électrique par un liquide augmente les risques de choc électrique.
- Ne pas utiliser le cordon de façon abusive. Ne jamais utiliser le cordon pour transporter, tirer ou débrancher un outil électrique. Protéger le cordon de la chaleur, de l'huile et de tout bord tranchant ou pièce mobile.** Les cordons endommagés ou emmêlés augmentent les risques de choc électrique. Faire réparer immédiatement les cordons endommagés par un centre de réparation autorisé. S'assurer que la rallonge est en bon état. N'utiliser que des rallonges trifilaires munies de fiches tripolaires et des prises tripolaires acceptant la fiche de l'outil.
- Lors de l'utilisation d'un outil électrique à l'extérieur, n'utiliser que des rallonges conçues pour l'extérieur.** S'assurer que la rallonge est en bon état. L'utilisation d'une rallonge conçue pour l'extérieur réduit les risques de choc électrique. En cas d'utilisation d'une rallonge, s'assurer que les valeurs nominales de la rallonge utilisée correspondent bien à celles de l'outil alimenté. L'usage d'une rallonge de calibre insuffisant causera une chute de tension entraînant perte de puissance et surchauffe. Le tableau ci-dessous illustre les calibres à utiliser selon la longueur de rallonge et l'intensité nominale indiquée sur la plaque signalétique. En cas de doutes, utiliser le calibre suivant. Plus le calibre est petit, plus la rallonge peut supporter de courant.

Calibre minimum pour rallonge						
Intensité nominale	Volts	Longueur totale du cordon en mètres (en pieds)				
		120V	7,6 (25)	15,2 (50)	30,5 (100)	45,7 (150)
		240V	15,2 (50)	30,5 (100)	61,0 (200)	91,4 (300)
Plus de	Pas plus de	AWG				
0	6		5,5 (18)	4,9 (16)	4,9 (16)	4,3 (14)
6	10		5,5 (18)	4,9 (16)	4,3 (14)	3,7 (12)
10	12		4,9 (16)	4,9 (16)	4,3 (14)	3,7 (12)
12	16		4,3 (14)	3,7 (12)	Non recommandé	

3) SÉCURITÉ PERSONNELLE

- Rester vigilant en tout temps et faire preuve de jugement pendant l'utilisation d'un outil électrique. Ne pas utiliser d'outil électrique en cas de fatigue ou sous l'influence de drogues, d'alcool ou de médicaments.** Tout moment d'inattention pendant l'utilisation d'un outil électrique pose des risques de blessure grave.
- Utiliser le matériel de sécurité approprié. Toujours porter des lunettes de protection.** Le fait de porter un masque anti-poussières, des chaussures antidérapantes, un casque de sécurité ou des protecteurs auditifs lorsque la situation le requiert réduira les risques de blessure.
- Éviter tout démarrage accidentel. S'assurer que l'interrupteur est en position d'arrêt avant tout branchement.** Transporter un outil le doigt sur l'interrupteur ou brancher un outil électrique alors que l'interrupteur est en position de marche invite les accidents.
- Retirer toute clé de réglage avant de démarrer l'outil.** Une clé laissée sur une pièce rotative d'un outil électrique pose des risques de blessure.
- Ne pas effectuer de travaux hors de portée. Les pieds doivent rester bien ancrés au sol afin de maintenir son équilibre en tout temps.** Cela permet de mieux maîtriser l'outil électrique dans les situations imprévues.
- Porter des vêtements appropriés. Ne pas porter de vêtements amples ni de bijoux. Maintenir cheveux, vêtements et gants éloignés des pièces mobiles.** Vêtements amples, bijoux ou cheveux longs risquent de rester coincés dans ces pièces mobiles. Prendre des précautions autour des événements car ils recouvrent des pièces mobiles.
- Lorsque un dispositif de connexion à un système de dépoussiérage ou d'élimination est fourni, s'assurer qu'il est connecté et utilisé correctement.** L'utilisation de ces dispositifs peut réduire les risques engendrés par les poussières.

4) UTILISATION ET ENTRETIEN DES OUTILS ÉLECTRIQUES

- Ne pas forcer un outil électrique. Utiliser l'outil approprié au travail en cours.** L'outil approprié effectuera un meilleur travail, de façon plus sûre et à la vitesse pour laquelle il a été conçu.
- Ne pas utiliser un outil électrique dont l'interrupteur est défectueux.** Tout appareil dont l'interrupteur est défectueux est dangereux et doit être réparé.
- Débrancher la fiche du secteur et/ou le bloc-piles de l'outil électrique avant de faire tout réglage ou changement d'accessoire, ou avant de ranger ce dernier.** Ces mesures préventives réduisent les risques de démarrage accidentel de l'appareil.
- Après usage, ranger les outils électriques hors de la portée des enfants, et ne permettre à aucune personne n'étant pas familière avec un outil électrique (ou son manuel d'instruction) d'utiliser ce dernier.** Les outils peuvent être dangereux entre les mains des novices.
- Entretenir les outils électriques. Vérifier les pièces mobiles pour s'assurer qu'elles sont bien alignées et tournent librement, qu'elles sont en bon état et ne sont affectées.**

tées d'aucune condition susceptible de nuire au bon fonctionnement de l'outil. En cas de dommage, faire réparer l'outil électrique avant toute nouvelle utilisation. Bien des accidents sont causés par des outils mal entretenus.

f) **Maintenir tout outil de coupe bien aiguisé et propre.** Les outils de coupe bien entretenus et affûtés sont moins susceptibles de se coincer et sont plus faciles à contrôler.

g) **Utiliser un outil électrique, ses accessoires, mèches, etc., conformément aux présentes directives et suivant la manière prévue pour ce type particulier d'outil électrique, en tenant compte des conditions de travail et du travail à effectuer.** L'utilisation d'un outil électrique pour toute opération autre que celle pour laquelle il a été conçu est dangereuse.

5) SERVICE

a) **Faire entretenir les outils électriques par un réparateur qualifié en n'utilisant que des pièces de rechange identiques.** Cela permettra d'assurer l'intégrité de l'outil électrique et la sécurité de l'utilisateur.

Autres directives de sécurité pour le brise-béton

• **Tenir l'outil par sa surface de prise isolée dans une situation où l'outil de coupe peut entrer en contact avec un câblage caché ou avec son propre cordon d'alimentation.** Tout contact avec un fil « sous tension » mettra « sous tension » les pièces métalliques de l'outil et causera un choc électrique à l'opérateur de l'outil.

S'assurer que le matériau, sur lequel les travaux seront exécutés, ne cache pas de conduite électrique ou de gaz et que leur emplacement a été vérifié avec les entreprises de services publiques.

- **Porter des protecteurs d'oreilles.** Une exposition au bruit peut entraîner une perte auditive.
- **Utiliser les poignées auxiliaires fournies avec l'outil.** Une perte de maîtrise de l'outil peut entraîner des blessures corporelles.

Tenir fermement l'outil en tout temps. Ne pas utiliser l'outil sans le tenir des deux mains. Faire fonctionner cet outil d'une seule main risque de provoquer la perte de maîtrise de l'outil. Il peut aussi être dangereux de percer ou de tomber sur des matériaux durs comme une barre d'armature. Bien serrer la poignée latérale avant d'utiliser l'outil.

- **Porter des lunettes de sécurité ou une autre protection oculaire.** Les opérations de percussion peuvent projeter les copeaux. Les particules projetées peuvent endommager les yeux irréversiblement. Porter un masque antipoussières ou un appareil respiratoire. La plupart des applications peuvent demander l'utilisation d'un dispositif de protection des oreilles.
- **Ne pas faire fonctionner cet outil durant de longues périodes.** Les vibrations causées par la percussion du marteau peuvent être nuisibles pour vos mains et vos bras. Utiliser des gants pour amortir davantage les vibrations et limiter l'exposition à l'outil par de fréquentes périodes de repos.
- **Ne pas remettre à neuf les mèches vous-même.** La remise à neuf du burin doit être réalisée par un spécialiste autorisé. Les burins mal remis à neuf peuvent causer des blessures.
- **Porter des gants pour utiliser l'outil ou pour changer les mèches.** Les pièces métalliques accessibles de l'outil et les mèches peuvent devenir extrêmement chaudes durant le fonctionnement de l'outil. De petits morceaux de matériau qui se détachent peuvent endommager les mains nues.
- **Ne jamais déposer l'outil tant que la mèche ne s'est pas complètement arrêtée.** Les mèches mobiles peuvent provoquer des blessures.
- **Ne pas frapper sur les mèches coincées avec un marteau pour les déloger.** Des fragments de métal ou des copeaux de matériau peuvent se déloger et causer des blessures.
- **Les burins légèrement usés peuvent être réaffûtés par le meulage.**

- **Tenir le cordon d'alimentation loin de la mèche. Ne pas enrouler le cordon autour de toute partie du corps.** Un cordon d'alimentation enroulé autour d'une mèche risque de provoquer un choc électrique.

▲ **AVERTISSEMENT : TOUJOURS porter un équipement de protection homologué :**

- protection oculaire conforme à la norme ANSI Z87.1 (CAN/CSA Z94.3);
- protection auditive ANSI S12.6 (S3.19);
- protection des voies respiratoires conformes aux normes NIOSH/OSHA/MSHA.

▲ **AVERTISSEMENT :** certaines poussières produites par les activités de ponçage, sciage, meulage, perçage et autres activités de construction peuvent contenir des produits chimiques pouvant causer le cancer, des anomalies congénitales ou d'autres problèmes liés aux fonctions reproductrices. Voici quelques exemples de ces produits chimiques :

- le plomb contenu dans les peintures à base de plomb;
- la silice cristalline de la brique, du ciment et d'autres produits de maçonnerie; et
- l'arsenic et chrome provenant de bois traité chimiquement.

Les risques liés à l'exposition à ces poussières varient selon la fréquence à laquelle l'utilisateur travaille avec ce type de matériaux. Pour réduire votre exposition à ces produits chimiques : travailler dans un endroit bien ventilé et porter un équipement de sécurité approuvé comme un masque antipoussières conçu spécialement pour filtrer les particules microscopiques.

- **Éviter le contact prolongé avec les poussières produites par les activités de ponçage, sciage, meulage, perçage et autres activités de construction. Porter des vêtements de protection et laver les parties du corps exposées avec une solution d'eau et de savon.** Laisser la poussière pénétrer dans la bouche, les yeux ou reposer sur la peau peut favoriser l'absorption de produits chimiques nocifs.

▲ **AVERTISSEMENT :** l'utilisation de cet outil peut produire et/ou dégager des poussières qui risqueraient de causer des problèmes respiratoires graves et permanents ou d'autres problèmes médicaux. Toujours porter un appareil respiratoire approuvé par la NIOSH/OSHA pour se protéger de la poussière. Diriger les particules loin du visage et du corps.

▲ **AVERTISSEMENT : TOUJOURS utiliser une protection respiratoire.** Tous les utilisateurs et les personnes à proximité doivent porter une protection respiratoire conforme aux normes de la NIOSH, OSHA et MSHA.

▲ **AVERTISSEMENT : TOUJOURS utiliser une protection oculaire.** Les lunettes de vue ne constituent PAS des lunettes de sécurité. Tous les utilisateurs et personnes à proximité doivent porter une protection oculaire conforme à la norme ANSI Z87.1.

▲ **AVERTISSEMENT : TOUJOURS porter une protection auditive appropriée conformément à la norme ANSI S12.6 (S3.19) lors de l'utilisation du produit.** Dans certaines conditions et selon la durée d'utilisation, le bruit émis par ce produit peut contribuer à une perte auditive.

- L'étiquette apposée sur votre outil peut comprendre les symboles suivants. Les symboles et leurs définitions sont indiqués ci-après :

V..... volts	Aampères
Hz..... hertz	Wwatts
min minutes	~courant alternatif
== courant continu	n _ovitesse à vide
Ⓛ Construction de classe I (mis à la terre)	⊕borne de terre
Ⓜ Construction de classe II (à double isolation)	▲symbole d'alerte à la sécurité
	.../minRotations ou alternance par minute
	BPM.....coups par minute

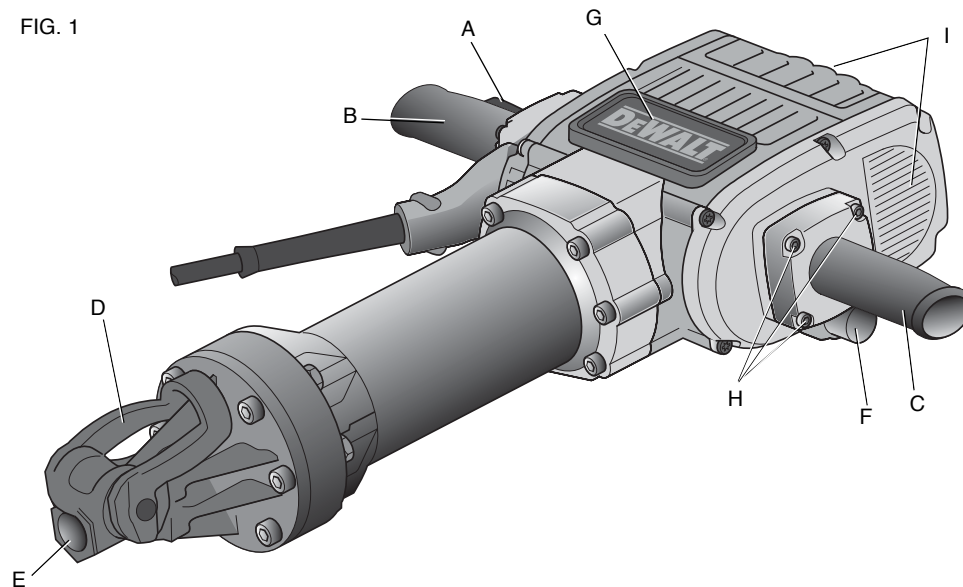
CONSERVER CES DIRECTIVES

COMPOSANTS (FIG. 1)

REMARQUE : toutes les indications qui font référence à la droite ou la gauche correspondent au point de vue de l'opérateur qui est debout, derrière le brise-béton. L'avant de l'outil est à l'opposé de l'opérateur.

- | | |
|--------------------------------------|------------------------------------|
| A. Interrupteur marche/arrêt | F. Correcteur antivibrations actif |
| B. Poignée droite | G. Avant de l'outil |
| C. Poignée gauche | H. Vis à tête hexagonale |
| D. Dispositif de retenue de l'embout | I. Évents |
| E. Porte-embout | |

FIG. 1



ASSEMBLAGE

Poignée latérale (Fig. 1)

⚠ MISE EN GARDE : TOUJOURS utiliser l'outil avec la poignée latérale bien assemblée. Tenir l'outil des deux mains pour obtenir une plus grande maîtrise de l'outil.

Fixer la poignée gauche (C) à l'aide de quatre vis à tête hexagonale (H, fournies). Les serrer avec la clé hexagonale fournie.

CARACTÉRISTIQUES (FIG. 1)

Le brise-béton D25980 a été conçu pour la démolition industrielle et pour être utilisé sur le béton, la brique, la pierre et d'autres matériaux de maçonnerie.

Interrupteur MARCHE/ARRÊT

Le poids de la main activera/désactivera l'interrupteur MARCHE/ARRÊT. Saisir fermement le brise-béton tout en exerçant une pression de la main droite pour allumer le brise béton. Pour éteindre l'outil, retirer la main droite pour enlever la pression exercée sur l'interrupteur.

Démarrage souple

En tenant l'outil des deux mains, enfoncer l'interrupteur MARCHE/ARRÊT (A). La fonction de démarrage souple permet une augmentation plus lente de la vitesse de percussion, ce qui évite au trépan ou à la pointe de rebondir sur la surface. Pour arrêter le brise béton, soulever la main pour libérer la pression exercée sur l'interrupteur et éteindre l'outil.

SHOCKS™ – dispositif antivibrations actif

Le dispositif antivibrations actif (F) permet d'absorber les vibrations transmises à l'utilisateur. Ainsi, le confort et la sécurité de l'utilisateur sont accrus durant le fonctionnement de l'outil.

Tenir fermement l'outil, une main étant sur la poignée gauche (C) et l'autre main, sur la poignée droite (B). À l'aide de la main droite, enfoncer l'interrupteur MARCHE/ARRÊT (A) pour allumer l'outil. Exercer uniquement la pression nécessaire à la zone des travaux pour engager le dispositif antivibrations actif. Trop de pression n'accélèrera pas le trépan ordinaire du brise-béton, et le dispositif antivibrations actif ne s'engagera pas.

FONCTIONNEMENT

⚠ MISE EN GARDE : tenir l'outil des deux mains pour obtenir une plus grande maîtrise de l'outil. Laisser le marteau faire le travail. Toute force excessive réduit la durée de vie du marteau et de l'accessoire.

Trépan

⚠ AVERTISSEMENT : TOUJOURS éteindre l'outil et le débrancher avant d'effectuer des réglages, d'enlever ou de poser des pièces ou des accessoires. Une telle mesure de sécurité préventive réduit le risque de mettre l'outil en marche accidentellement.

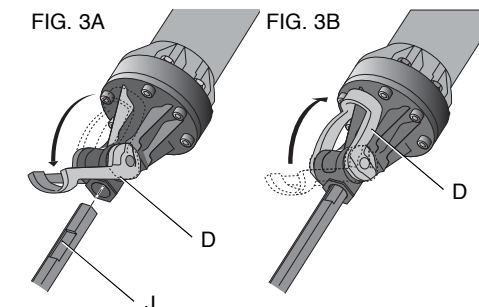
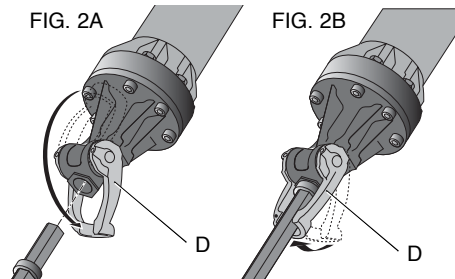
⚠ AVERTISSEMENT : TOUJOURS porter des gants pour changer les trépan. Les pièces métalliques accessibles de l'outil et les trépan peuvent devenir extrêmement chauds durant le fonctionnement de l'outil.

⚠ AVERTISSEMENT : pour réduire le risque de blessures, utiliser exclusivement les accessoires DEWALT recommandés avec le présent produit. Divers trépan sont offerts chez votre détaillant local.

REMARQUE : insérer les trépan alors que le devant de l'outil (G) est redressé.

POUR INSÉRER DES TRÉPANS MÉTALLIQUES PNEUMATIQUES (TRÉPAN À ANNEAU SEULEMENT)

1. Retirer le dispositif de retenue du trépan (D) comme il est indiqué à la figure 2a.
2. Insérer le trépan dans le porte-mèche (E), puis fermer le dispositif de retenue sur le trépan comme le montre la figure 2b.



POUR INSÉRER DES TRÉPANS MÉTALLIQUES (TRÉPAN À ENCOCHE SEULEMENT)

1. Retirer le dispositif de retenue du trépan (D) comme le montre la figure 3a.
2. Insérer le trépan de manière à ce que l'encoche (J) soit vers le haut, dans le porte-mèche (E).
3. Relever le dispositif de retenue du trépan pour le verrouiller en place comme le montre la figure 3b.

Utiliser une des méthodes précédentes pour insérer les trépan métalliques combinés (encoche et anneau).

Fonctionnement

REMARQUE : utiliser uniquement des trépan tranchants.

1. Insérer le trépan comme il est décrit à la section Trépan.
2. Debout derrière l'outil, les deux mains sur les poignées, enfoncer l'interrupteur MARCHE/ARRÊT pour démarrer l'outil. Tenir fermement les poignées pour maîtriser l'outil.
3. Retirer la main pour libérer la pression exercée sur l'interrupteur MARCHE/ARRÊT et ainsi éteindre l'outil.
4. Mettre les mains sous les poignées, puis soulever l'outil pour le déplacer.

ENTRETIEN

Nettoyage

MISE EN GARDE : lors du nettoyage, utiliser exclusivement un chiffon humide sur les composants en plastique. Bon nombre de nettoyants domestiques renferment des produits chimiques pouvant grandement endommager le plastique. En outre, ne pas utiliser d'essence, de térébenthine, de diluant à peinture ou à laque, de liquides pour nettoyage à sec ou tout autre produit semblable qui pourrait endommager gravement les composants en plastique. Ne jamais laisser de liquide pénétrer dans l'outil et n'immerger aucune partie de l'outil dans un liquide.

Tenir les grilles d'aération (I) libres de toute obstruction et nettoyer régulièrement le boîtier avec un chiffon doux.

Lubrification

L'outil ne requiert pas d'autre lubrification.

Accessoires

AVERTISSEMENT : puisque les accessoires autres que ceux offerts par DEWALT n'ont pas été testés avec ce produit, l'utilisation de ceux-ci avec l'outil pourrait s'avérer dangereuse. Pour réduire le risque de blessures, utiliser exclusivement les accessoires DEWALT recommandés avec le présent produit.

Les accessoires recommandés pour être utilisés avec l'outil sont disponibles auprès du centre de réparation de votre région. Pour toute demande d'assistance pour trouver un accessoire, contacter DEWALT Industrial Tool Co., 701 East Joppa Road, Baltimore, MD 21286, États-Unis, composer le 1(800) 4-DEWALT (1-800-433-9258) ou visiter notre site Web à www.dewalt.com.

Réparations

Pour assurer la SÉCURITÉ et la FIABILITÉ du produit, les réparations, l'entretien et les réglages (y compris l'inspection et le remplacement de la brosse) doivent être réalisés par un centre de réparation en usine DEWALT, un centre de réparation autorisé DEWALT ou par un personnel de réparation professionnel. Toujours utiliser des pièces de rechange identiques.

Garantie limitée de trois ans

DEWALT réparera, sans frais, tout produit défectueux causé par un défaut de matériel ou de fabrication pour une période de trois ans à compter de la date d'achat. La présente garantie ne couvre pas les pièces dont la défectuosité a été causée par une usure normale ou l'usage abusif de l'outil. Pour obtenir de plus amples renseignements sur les pièces ou les réparations couvertes

par la présente garantie, visiter le site www.dewalt.com ou composer le 1 800 433-9258 (1 800 4-DEWALT). Cette garantie ne s'applique pas aux accessoires et ne vise pas les dommages causés par des réparations effectuées par un tiers. Cette garantie confère des droits légaux particuliers à l'acheteur, mais celui-ci pourrait aussi bénéficier d'autres droits variant d'un état ou d'une province à l'autre.

En plus de la présente garantie, les outils DEWALT sont couverts par notre :

SERVICE D'ENTRETIEN GRATUIT DE 2 ANS

DEWALT entretiendra l'outil et remplacera les pièces usées par une utilisation normale, et ce, gratuitement, en tout temps, pendant deux ans à compter de la date d'achat.

GARANTIE DE REMBOURSEMENT DE 90 JOURS

Si l'acheteur n'est pas entièrement satisfait, pour quelque raison que ce soit, du rendement de l'outil électrique, du laser ou de la cloueuse DEWALT, celui-ci peut le retourner, accompagné d'un reçu, dans les 90 jours à compter de la date d'achat, pour obtenir un remboursement intégral, sans aucun problème.

AMÉRIQUE LATINE : Cette garantie ne s'applique aux produits vendus en Amérique latine. Pour ceux-ci, veuillez consulter les informations relatives à la garantie spécifique présente dans l'emballage, appeler l'entreprise locale ou consulter le site Web pour les informations relatives à cette garantie.

REPLACEMENT GRATUIT DE L'ÉTIQUETTE : Si vos étiquettes d'avertissement deviennent illisibles ou sont manquantes, composez le 1-800-4-DEWALT pour obtenir une étiquette de remplacement gratuite.

D25980 PAVEMENT BREAKER	
SER. [REDACTED]	
⚠ WARNING	TO REDUCE THE RISK OF INJURY, USER MUST READ INSTRUCTION MANUAL. ALWAYS USE PROPER EYE, EAR AND RESPIRATORY PROTECTION. ALWAYS USE SIDE HANDLES.
⚠ ADVERTENCIA	LEA EL MANUAL DE INSTRUCCIONES PARA UN FUNCIONAMIENTO SEGURO. SIEMPRE UTILICE PROTECCIÓN ADECUADA PARA LOS OJOS, OÍDOS Y VÍAS RESPIRATORIAS. UTILICE SIEMPRE LAS MANIJAS LATERALES.
⚠ AVERTISSEMENT	À TITRE PRÉVENTIF, LIRE LE GUIDE. TOUJOURS UTILISER UNE PROTECTION OCULAIRE, AUDITIVE ET RESPIRATOIRE ADEQUATE. UTILISEZ TOUJOURS LES POIGNÉES LATÉRALES.
DEWALT INDUSTRIAL TOOL CO., BALTIMORE, MD 21286 USA FOR SERVICE INFORMATION, CALL 1-800-4-DEWALT www.DEWALT.com	

Fiche technique

Tension	120 V~
Courant	15 A
Fréquence	60 Hz
Puissance absorbée	1 800 W
Frappe par minute	870
Porte-outil	28 mm
Poids	31 kg

Reglas de seguridad generales



¡ADVERTENCIA! Para reducir el riesgo de lesiones, el usuario debe leer el manual de instrucciones.

El incumplimiento de todas y cada una de las instrucciones descritas debajo puede provocar descarga eléctrica, incendio o lesiones graves. El término "herramienta eléctrica" incluido en todas las advertencias descritas a continuación hace referencia a su herramienta eléctrica operada con corriente (alámbrica) o a su herramienta eléctrica operada con baterías (inalámbrica).

GUARDE ESTAS INSTRUCCIONES

1) SEGURIDAD EN EL ÁREA DE TRABAJO

- Mantenga su área de trabajo limpia y bien iluminada.** Los accidentes abundan en las áreas de trabajo desordenadas u oscuras.
- No opere máquinas herramienta en ambientes explosivos, tales como en presencia de líquidos, gases o polvos inflamables.** Las máquinas herramienta generan chispas que pueden inflamar el polvo o los gases.
- No use máquinas herramienta en presencia de niños u otras personas circunstantes.** Las distracciones pueden hacerle perder el control.

2) SEGURIDAD ELÉCTRICA

- Los enchufes de las máquinas herramienta deben poder acoplarse a la toma de corriente. Jamás modifique el enchufe de ninguna manera. No emplee adaptadores de enchufe con máquinas herramienta conectadas a tierra.** Los enchufes no modificados y las tomas de corriente que correspondan al enchufe reducirán el riesgo de descarga eléctrica.
- Evite el contacto corporal con superficies conectadas a tierra, tales como tuberías, radiadores, cocinas y refrigeradores.** Existe un mayor riesgo de descarga eléctrica cuando su cuerpo está conectado a tierra.
- No esponga máquinas herramienta a condiciones lluviosas o húmedas.** Si entra agua a la máquina herramienta, aumentará el riesgo de descarga eléctrica.
- No abuse del cable. Jamás transporte, arrastre o desenchufe la máquina herramienta por el cable. Mantenga el cable alejado de fuentes de calor, aceite, bordes afilados o piezas en movimiento.** Los cables dañados o enredados aumentan el riesgo de descarga eléctrica. Repare los cables dañados en un centro de mantenimiento autorizado de inmediato. Verifique que su alargador esté en buenas condiciones. Utilice sólo alargadores de 3 hilos con enchufes de 3 patas, con conexión a tierra y tomas de corriente de 3 polos que acepten el enchufe de la herramienta.
- Cuando opere una máquina herramienta a la intemperie, use un alargador diseñado para uso a la intemperie.** Verifique que su alargador esté en buenas condiciones. El uso de un alargador diseñado para uso a la intemperie reduce el riesgo de descarga eléctrica. Cuando use un alargador, asegúrese de usar uno de un calibre suficiente como para cargar con la corriente que requerirá su producto. Un alargador de menor calibre causará una caída en el voltaje de la línea lo que resultará en pérdida de potencia y sobrecalentamiento. El siguiente cuadro muestra el tamaño correcto a utilizar, dependiendo del largo del cable y el amperaje nominal. En caso de duda, utilice el de mayor calibre. Mientras menor el número del calibre, mayor la capacidad del cable.

Calibre mínimo para juegos de cables						
Capacidad nominal en amperios		Voltios	Largo total del cable en metros (en pies)			
		120V	7,6 (25)	15,2 (50)	30,5 (100)	45,7 (150)
		240V	15,2 (50)	30,5 (100)	61,0 (200)	91,4 (300)
Desde	Hasta	AWG				
0	6		18	16	16	14
6	10		18	16	14	12
10	12		16	16	14	12
12	16		14	12	No recomendado	

3) SEGURIDAD PERSONAL

- Manténgase alerta, fíjese en lo que está haciendo y utilice su sentido común cuando opere una máquina herramienta. No utilice una máquina herramienta si está cansado o bajo la influencia de drogas, alcohol o medicamentos** Sólo hace falta un momento de distracción durante la operación de máquinas herramienta para causar lesiones corporales serias.
- Use equipo de seguridad. Utilice siempre protección ocular.** El uso de un equipo de seguridad apropiado a las condiciones de trabajo, tal como máscaras antipolvo, calzado de seguridad anti-derrapante, cascos o protección auditiva, reducirá la posibilidad de sufrir lesiones corporales.
- Evite encender la máquina herramienta en forma accidental. Verifique que el conmutador esté apagado antes de enchufar la máquina herramienta.** El sujetar una máquina herramienta con el dedo en el conmutador o enchufar máquinas herramienta con el conmutador encendido se presta para que ocurran accidentes.
- Retire toda llave de ajuste antes de encender la máquina herramienta.** Si se deja alguna llave en una pieza giratoria de la máquina herramienta, podría provocar lesiones.
- No se sobreextienda. Manténgase siempre bien apoyado y equilibrado.** Esto permite tener un mayor control de la máquina herramienta en situaciones inesperadas.
- Vístase debidamente. No se ponga ropa suelta o joyas. Mantenga su pelo, ropa y guantes alejados de piezas móviles.** La ropa suelta, las joyas y el pelo largo pueden quedar atrapados en las piezas móviles. Los orificios de ventilación suelen cubrir piezas en movimiento, por lo que también se deben evitar.
- Si la máquina herramienta viene con algún dispositivo de conexión para la extracción y colección de polvo, asegúrese que este sea debidamente conectado y utilizado.** El uso de estos dispositivos puede reducir los peligros relacionados a la generación de polvo.

4) USO Y CUIDADO DE LA MÁQUINA HERRAMIENTA

- No fuerce la máquina herramienta. Use la máquina herramienta correcta para su aplicación.** La máquina herramienta apropiada hará un trabajo mejor y más seguro si se usa de la forma para la cual fue diseñada.
- No use la máquina herramienta si el conmutador no puede encenderla y apagarla.** Cualquier máquina herramienta que no pueda ser controlada con el conmutador es peligrosa y debe ser reparada.
- Desenchufe la máquina herramienta de la toma de corriente y/o de la unidad de alimentación antes de ajustarla, cambiar de accesorio o guardarla.** Estas medidas de seguridad preventiva reducen el riesgo de poner en marcha la máquina herramienta accidentalmente.
- Guarde su máquina herramienta fuera del alcance de niños cuando no la esté usando y no permita que personas que no estén familiarizadas con la máquina herramienta o estas instrucciones la usen.** Las máquinas herramienta son peligrosas en manos de personas no capacitadas.

- e) **Mantenga su máquina herramienta. Revise la máquina herramienta para verificar que no esté mal alineada, que sus piezas móviles no estén trabadas o rotas y que no exista otra condición que pudiera afectar su operación. Si está dañada, haga reparar la máquina herramienta antes de utilizarla.** Muchos accidentes son causados por usar máquinas herramienta que no han sido bien mantenidas.
- f) **Mantenga máquinas herramienta que son usadas para cortar afiladas y limpias.** Las máquinas herramienta de corte debidamente mantenidas y afiladas tienen menos probabilidades de trabarse y son más fáciles de controlar.
- g) **Use la máquina herramienta, sus accesorios, etc., en cumplimiento con estas instrucciones y en la manera para la cual la máquina herramienta fue diseñada, tomando en cuenta las condiciones de trabajo y el trabajo a realizar.** El uso de una máquina herramienta para operaciones fuera de aquellas para las que fue diseñada podría resultar en una situación peligrosa.

5) SERVICIO

- a) **Haga reparar su máquina herramienta por un técnico de reparación calificado, utilizando sólo repuestos originales.** Esto garantizará la seguridad de la máquina herramienta.

Instrucciones de seguridad adicionales para los Martillos rompedores

- **Sostenga la herramienta por las superficies de agarre aisladas cuando realice una operación en la que la herramienta de corte pueda tocar cables eléctricos ocultos o el cable de ésta.** El contacto con un cable con corriente eléctrica hará que las partes expuestas de la herramienta tengan corriente y que el operador reciba una descarga eléctrica.

Asegúrese de que el material a trabajar no contenga cableados o tuberías de gas ocultos, cuyas ubicaciones deben haber sido constatadas con las empresas de servicios públicos correspondientes.

- **Use protectores auditivos.** La exposición al ruido puede ocasionar la pérdida de la audición.
- **Use los mangos auxiliares que se suministran con la herramienta.** La pérdida del control podría ocasionar lesiones personales.

Sujete la herramienta firmemente en todo momento. No intente hacer funcionar esta herramienta sin sostenerla con ambas manos. Si intenta hacerla funcionar con una sola mano, podría perder el control de la herramienta. También podría ser peligroso perforar o encontrar materiales duros, como barras de refuerzo. Ajuste firmemente el mango lateral antes de utilizar la herramienta.

- **Use lentes de seguridad u otra protección similar para los ojos.** Al martillar se producen astillas. Las partículas volátiles pueden provocar lesiones oculares permanentes. Utilice una máscara para polvo o una mascarilla de respiración en aplicaciones que generen polvo. La mayoría de las aplicaciones pueden requerir protección auditiva.
- **No haga funcionar esta herramienta durante períodos prolongados.** La vibración que produce la acción de percusión puede ser perjudicial para las manos y los brazos. Use guantes que provean amortiguación extra y limite la exposición tomando descansos frecuentes.
- **No reacondicione las brocas usted mismo.** El reacondicionamiento del cincel debe ser realizado por un especialista autorizado. Los cinceles reacondicionados de manera incorrecta pueden provocar lesiones.
- **Use guantes cuando utilice la herramienta o cambie las brocas.** Mientras la herramienta se encuentra en funcionamiento, las piezas metálicas accesibles de la misma y las brocas pueden sobrecalentarse. Los trozos pequeños de material roto pueden dañar las manos sin guantes.

- **Nunca apoye la herramienta hasta que la broca se haya detenido completamente.** Las brocas en movimiento podrían provocar lesiones.
- **No golpee las brocas atascadas con un martillo para desatascarlas.** Los fragmentos de metal o astillas del material podrían desprenderse y provocar lesiones.
- **Los cinceles levemente gastados pueden afilarse con una esmeriladora.**
- **Mantenga el cable eléctrico alejado de la broca. No enrosque el cable alrededor de ninguna parte del cuerpo.** Un cable eléctrico enroscado alrededor de una broca puede provocar una descarga eléctrica.

⚠ **ADVERTENCIA: UTILICE SIEMPRE equipos de seguridad certificados:**

- Protección para los ojos ANSI Z87.1 (CAN/CSA Z94.3)
- Protección auditiva según la norma ANSI S12.6 (S3.19)
- Protección respiratoria según las normas NIOSH/OSHA/MSHA.

⚠ **ADVERTENCIA:** Algunas partículas originadas al lijar, aserrar, amolar, taladrar y realizar otras actividades de construcción contienen productos químicos que producen cáncer, defectos de nacimiento y otros problemas reproductivos. Algunos ejemplos de estos productos químicos son:

- el plomo de las pinturas de base plomo,
- la sílice cristalina de ladrillos, cemento y otros productos de mampostería, y
- el arsénico y el cromo de la madera con tratamiento químico.

El riesgo derivado de estas exposiciones varía según la frecuencia con la que se realice este tipo de trabajo. Para reducir la exposición a estos productos químicos, se recomienda trabajar en áreas bien ventiladas y usar equipos de seguridad aprobados, como las máscaras para polvo especialmente diseñadas para filtrar las partículas microscópicas.

- **Evite el contacto prolongado con las partículas de polvo originadas al lijar, aserrar, esmerilar, taladrar y realizar demás actividades de la construcción. Use indumentaria protectora y lave las áreas expuestas con agua y jabón.** Evite que el polvo entre en la boca y en los ojos o se deposite en la piel, para impedir la absorción de productos químicos nocivos.

⚠ **ADVERTENCIA:** El uso de esta herramienta puede generar o dispersar partículas de polvo, que pueden causar lesiones respiratorias permanentes y graves u otras lesiones. Use siempre protección respiratoria apropiada para la exposición al polvo aprobada por el Instituto Nacional de Salud y Seguridad Ocupacional de EE.UU. y la Administración de Salud y Seguridad Ocupacional de EE.UU. (NIOSH y OSHA respectivamente, por sus siglas en inglés). Aleje la cara y el cuerpo del contacto con las partículas.

⚠ **ADVERTENCIA: UTILICE siempre protección respiratoria.** Todos los usuarios y espectadores deben utilizar protección respiratoria conforme con las normas NIOSH/OSHA/MSHA.

⚠ **ADVERTENCIA: Utilice SIEMPRE protección para los ojos.** Los anteojos de uso diario **NO** son lentes de seguridad. Todos los usuarios y espectadores deben utilizar protección para los ojos conforme con las normas ANSI Z87.1.

⚠ **ADVERTENCIA: Durante el uso SIEMPRE utilice una protección auditiva adecuada que cumpla con la norma ANSI S12.6 (S3.19).** Bajo ciertas circunstancias y según el período de uso, el ruido producido por este producto puede contribuir a la pérdida de audición.

- La etiqueta de su herramienta puede incluir los siguientes símbolos. Los símbolos y sus definiciones son los siguientes:

V..... voltios	A amperios
Hz..... hertz	W vatios
min minutos	~ corriente alterna
== corriente directa	n ₀ velocidad sin carga
⚠ Construcción Clase I	⊕ terminal a tierra
(con conexión a tierra)	⚠ símbolo de alerta de seguridad

□ Construcción Clase II/minRevoluciones o reciprocidad por minuto
(con aislamiento doble) BPM.....golpes por minuto

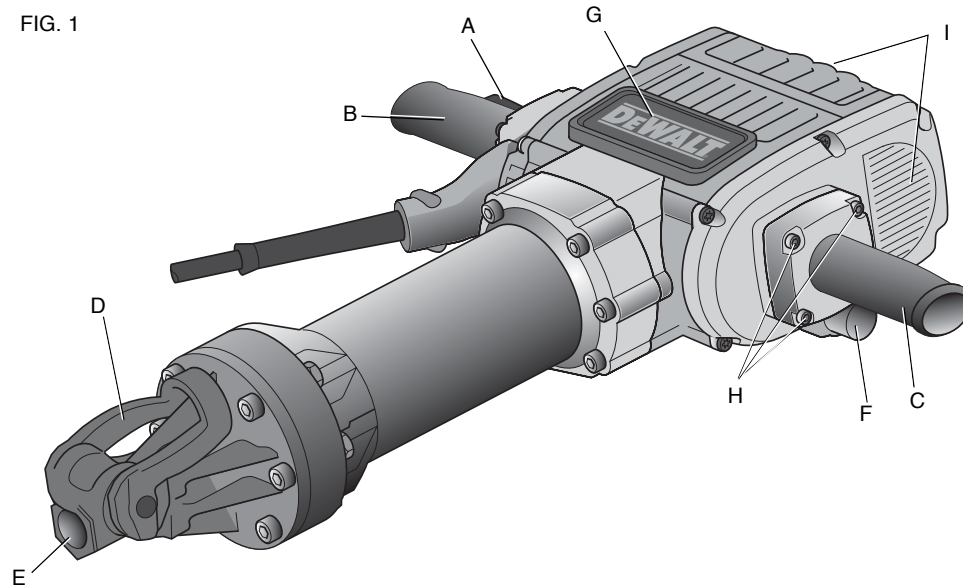
GUARDE ESTAS INSTRUCCIONES

COMPONENTES (FIG. 1)

NOTA: Izquierda y derecha describen la ubicación de la pieza con el operador parado detrás del martillo rompedor y el frente de la herramienta en dirección opuesta a él.

- | | |
|---|----------------------------------|
| A. Interruptor de encendido/apagado | F. Control activo de vibración |
| B. Mango lateral derecho | G. Frente de la herramienta |
| C. Mango lateral izquierdo | H. Tornillos de cabeza hexagonal |
| D. Dispositivo de retención de la broca | I. Orificios de ventilación |
| E. Portabrocas | |

FIG. 1



ENSAMBLAJE

Mango lateral (Fig. 1)

⚠ **PRECAUCIÓN:** Opere siempre la herramienta con el mango lateral montado correctamente. Sostenga la herramienta con ambas manos para un máximo control.

Instale el mango del lado izquierdo (C) con cuatro tornillos de cabeza hexagonal (H, suministrados) Ajuste con una llave hexagonal suministrada.

CARACTERÍSTICAS (FIG. 1)

El Martillo Rompedor D25980 está diseñado especialmente para demoliciones para trabajo pesados, aplicaciones en hormigón, ladrillos, piedras y otros materiales de mampostería.

Interruptor de ENCENDIDO/APAGADO (ON/OFF)

El peso de la mano activará o desactivará el interruptor de ENCENDIDO/APAGADO. Sujete el martillo rompedor con firmeza mientras ejerce presión con la mano derecha para encender el martillo. Para apagar la herramienta, retire la mano derecha para liberar la presión del interruptor.

Arranque suave

Si sostiene la herramienta con ambos mangos se oprime el interruptor de ENCENDIDO/APAGADO (A). La función de arranque suave permite que la velocidad de impacto se acumule más lentamente para evitar que la broca o punta rebote en la superficie. Para detener el martillo, tire con la mano para liberar la presión del interruptor para APAGAR la herramienta.

Control activo de vibración SHOCKS™

El control activo de vibración (F) absorbe la vibración que se transmite al usuario. Esto mejora la comodidad del usuario y la seguridad durante el funcionamiento.

Sostenga firmemente la herramienta con una mano por el mango del lado izquierdo (C) y la otra mano en el mango del lado derecho (B). Con la mano derecha presione el interruptor de ENCENDIDO/APAGADO (A) para encender la herramienta. Aplique sólo la presión suficiente en el área de trabajo para activar el control activo de vibración. Si se aplica demasiada presión, la herramienta no cincelaré más rápido y no se activará el control activo de vibración.

FUNCIONAMIENTO

⚠ **PRECAUCIÓN:** Sostenga la herramienta con ambas manos para un máximo control. Permita que la herramienta realice el trabajo. Aplicar una fuerza excesiva puede acortar la vida útil del martillo y del accesorio.

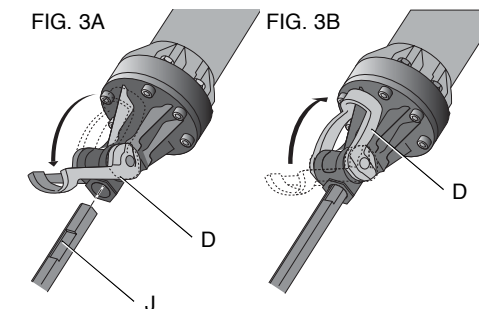
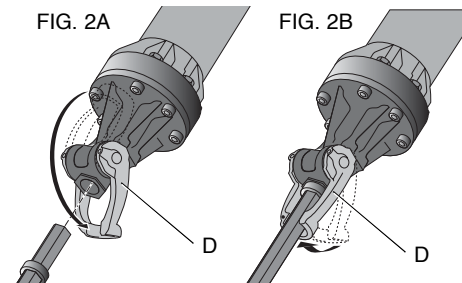
Brocas

⚠ **ADVERTENCIA SIEMPRE apague la herramienta y desconéctela de la fuente de alimentación antes de realizar ajustes o de retirar o instalar cualquier dispositivo o accesorios.** Estas medidas de seguridad preventivas reducen el riesgo de encender la herramienta en forma accidental.

⚠ **ADVERTENCIA: SIEMPRE use guantes cuando cambie las brocas.** Mientras la herramienta se encuentra en funcionamiento, las piezas metálicas accesibles de la misma y las brocas pueden sobrecalentarse.

⚠ **ADVERTENCIA: Para reducir el riesgo de lesiones, con este producto deben usarse sólo los accesorios DEWALT recomendados.** Una amplia variedad de brocas está disponible en su comercio minorista local.

NOTA Inserte las brocas con la parte frontal de la herramienta (G) hacia arriba.



PARA INSERTAR AIRE EN LAS BROCAS DE ACERO (BROCA DE UN SÓLO ANILLO)

1. Tire para abrir el dispositivo de retención de la broca (D) como se observa en la Figura 2.
2. Inserte la broca en el portabrocas (E) y cierre el dispositivo de retención en la broca como se observa en la Figura 2b.

PARA INSERTAR BROCAS DE ACERO DE LA HERRAMIENTA (BROCA DE UNA MUESCA)

1. Tire para abrir el dispositivo de retención de la broca (D) como se observa en la Figura 3a.
2. Inserte la broca con la muesca (J) hacia arriba en el portabrocas (E).
3. Tire del dispositivo de retención hacia arriba para trabarlo en su posición como se observa en la Figura 3b.

Use cualquiera de los métodos anteriores para insertar la combinación del acero (broca de anillo y muesca)

Para operar

NOTA: Utilice solamente brocas de taladro afiladas.

1. Inserte la broca como se detalla en la sección Brocas.
2. Párese detrás de la herramienta con ambas manos en los mangos y oprima el interruptor de ENCENDIDO/APAGADO para encenderla. Sostenga los mangos firmemente para controlar la herramienta.
3. Retire la mano para liberar la presión del interruptor de ENCENDIDO/APAGADO para APAGAR la herramienta.
4. Coloque las manos por debajo de los mangos y levante para mover la herramienta.

MANTENIMIENTO

Limpieza

⚠ PRECAUCIÓN: Sólo use una tela humedecida para limpiar las partes plásticas. Muchos limpiadores para uso doméstico pueden contener sustancias químicas que podrían dañar el plástico considerablemente. Tampoco utilice gasolina, aguarrás, barniz o solvente, líquidos para limpieza en seco o productos similares, que podrían dañar seriamente las piezas de plástico. Nunca permita que penetre líquido dentro de la herramienta ni sumerja ninguna de las piezas en un líquido. Mantenga limpios los conductos de ventilación (I) y limpie la caja en forma regular con un paño húmedo.

Lubricación

La herramienta no necesita lubricación adicional.

Accesorios

⚠ ADVERTENCIA: debido a que no se han probado con este producto otros accesorios que no sean los que ofrece DEWALT, el uso de dichos accesorios podría ser peligroso. Para reducir el riesgo de lesiones, con este producto deben usarse sólo los accesorios DEWALT recomendados.

Los accesorios que se recomiendan usar con su herramienta están disponibles a un costo adicional en su centro de servicio local. Si usted necesita ayuda para encontrar un accesorio para su herramienta, contacte a: DEWALT Industrial Tool Co., 701 East Joppa Road, Baltimore, MD 21286, llame al 1-800-4-DEWALT (1-800-433-9258) o visite nuestro sitio web www.dewalt.com.

Reparaciones

Para garantizar la SEGURIDAD y la CONFIABILIDAD, deberán hacerse reparaciones, mantenimiento y ajustes de esta herramienta en los centros autorizados de servicio DEWALT u otras organizaciones autorizadas. Estas organizaciones prestan servicio a las herramientas DEWALT y emplean siempre refacciones legítimas DEWALT.

PARA REPARACIÓN Y SERVICIO DE SUS HERRAMIENTAS ELÉCTRICAS, FAVOR DE DIRIGIRSE AL CENTRO DE SERVICIO MÁS CERCANO

CULIACAN, SIN Av. Nicolás Bravo #1063 Sur - Col. Industrial Bravo	(667) 7 12 42 11
GUADALAJARA, JAL Av. La Paz #1779 - Col. Americana Sector Juárez	(33) 3825 6978
MEXICO, D.F. Eje Central Lázaro Cárdenas No. 18 Local D, Col. Obrera	(55) 5588 9377
MERIDA, YUC Calle 63 #459-A - Col. Centro	(999) 928 5038
MONTERREY, N.L. Av. Francisco I. Madero No.831 - Col. Centro	(81) 8375 2313
PUEBLA, PUE 17 Norte #205 - Col. Centro	(222) 246 3714
QUERETARO, QRO Av. Madero 139 Pte. - Col. Centro	(442) 214 1660
SAN LUIS POTOSI, SLP Av. Universidad 1525 - Col. San Luis	(444) 814 2383
TORREON, COAH Blvd. Independencia, 96 Pte. - Col. Centro	(871) 716 5265
VERACRUZ, VER Prolongación Díaz Mirón #4280 - Col. Remes	(229) 921 7016
VILLAHERMOSA, TAB Constitución 516-A - Col. Centro	(993) 312 5111

PARA OTRAS LOCALIDADES LLAME AL: (55) 5326 7100

Póliza de Garantía

IDENTIFICACIÓN DEL PRODUCTO:

Sello o firma del Distribuidor.

Nombre del producto: _____ Mod./Cat.: _____

Marca: _____ Núm. de serie: _____

(Datos para ser llenados por el distribuidor)

Fecha de compra y/o entrega del producto: _____

Nombre y domicilio del distribuidor donde se adquirió el producto: _____

Este producto está garantizado por un año a partir de la fecha de entrega, contra cualquier defecto en su funcionamiento, así como en materiales y mano de obra empleados para su fabricación. Nuestra garantía incluye la reparación o reposición del producto y/o componentes sin cargo alguno para el cliente, incluyendo mano de obra, así como los gastos de transportación razonablemente erogados derivados del cumplimiento de este certificado.

Para hacer efectiva esta garantía deberá presentar su herramienta y esta póliza sellada por el establecimiento comercial donde se adquirió el producto, de no contar con ésta, bastará la factura de compra.

EXCEPCIONES

Esta garantía no será válida en los siguientes casos:

- Cuando el producto se hubiese utilizado en condiciones distintas a las normales;
- Cuando el producto no hubiese sido operado de acuerdo con el instructivo de uso que se acompaña;
- Cuando el producto hubiese sido alterado o reparado por personas distintas a las enlistadas al final de este certificado.

Español

Anexo encontrará una relación de sucursales de servicio de fábrica, centros de servicio autorizados y franquiciados en la República Mexicana, donde podrá hacer efectiva su garantía y adquirir partes, refacciones y accesorios originales.

Garantía limitada por tres años

DEWALT reparará, sin cargo, cualquier falla que surja de defectos en el material o la fabricación del producto, por hasta tres años a contar de la fecha de compra. Esta garantía no cubre fallas de las piezas causadas por su desgaste normal o abuso a la herramienta. Para mayores detalles sobre la cobertura de la garantía e información acerca de reparaciones realizadas bajo garantía, visítenos en www.dewalt.com o diríjase al centro de servicio más cercano. Esta garantía no aplica a accesorios o a daños causados por reparaciones realizadas o intentadas por terceros. Esta garantía le otorga derechos legales específicos, además de los cuales puede tener otros dependiendo del estado o provincia en que se encuentre.

Además de la garantía, las herramientas DEWALT están cubiertas por:

SERVICIO GRATUITO DE 2 AÑOS

DEWALT realiza el mantenimiento de la herramienta y reemplaza las piezas gastadas tras el uso normal, sin costo alguno, en cualquier momento durante los primeros dos años después de la compra.

GARANTÍA DE REEMBOLSO DE SU DINERO POR 90 DÍAS

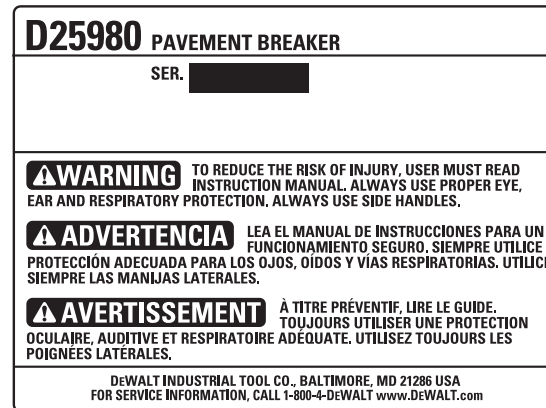
Si no está completamente satisfecho con el desempeño de su máquina herramienta, láser o clavadora DEWALT, cualquiera sea el motivo, podrá devolverlo hasta 90 días de la fecha de compra con su recibo y obtener el reembolso completo de su dinero – sin necesidad de responder a ninguna pregunta.

AMÉRICA LATINA: Esta garantía no se aplica a los productos que se venden en América Latina. Para los productos que se venden en América Latina, debe consultar la información de la garantía específica del país que viene en el empaque, llamar a la compañía local o visitar el sitio Web a fin de obtener esa información.

REEMPLAZO GRATUITO DE LAS ETIQUETAS DE ADVERTENCIA: Si las etiquetas de advertencia se tornan elípticas o se pierden, llame al 1-800-4-DEWALT para reemplazarlas sin costo alguno.

Especificaciones

Voltaje.....	120 V ~
Corriente.....	15 A
Frecuencia.....	60 Hz
Entrada.....	1800 W
Goples por minuto.....	870
Soporte de la herramienta.....	28 mm
Peso.....	31 kg



DEWALT Industrial Tool Co., 701 East Joppa Road, Baltimore, MD 21286 (OCT06) Form No. 491663-01 D25980
Copyright © 2002, 2005, 2006 DEWALT

The following are trademarks for one or more DEWALT power tools: the yellow and black color scheme; the "D" shaped air intake grill; the array of pyramids on the handgrip; the kit box configuration; and the array of lozenge-shaped humps on the surface of the tool.