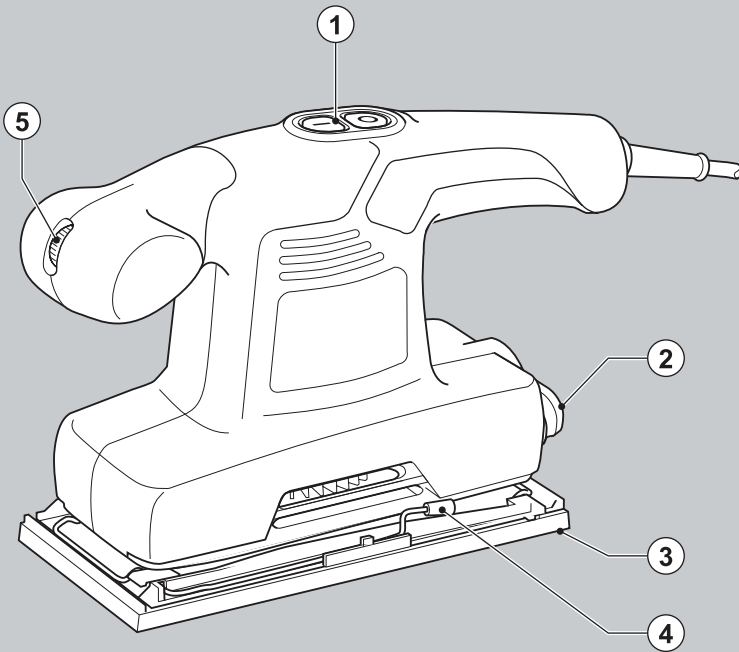


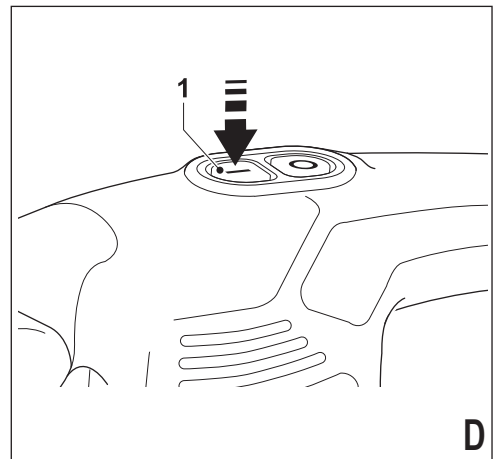
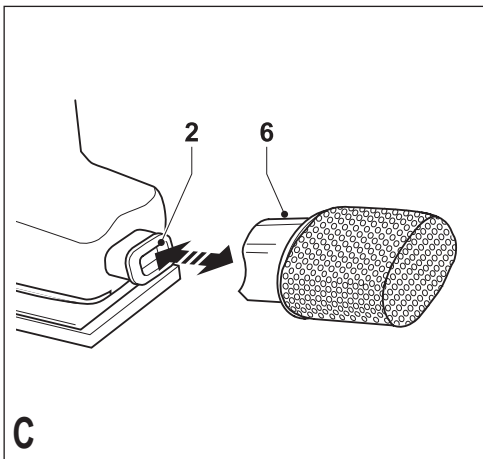
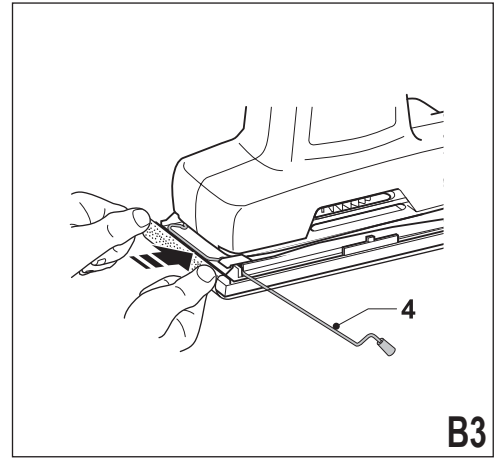
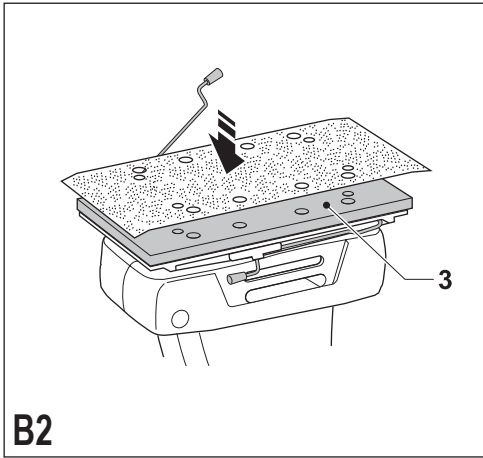
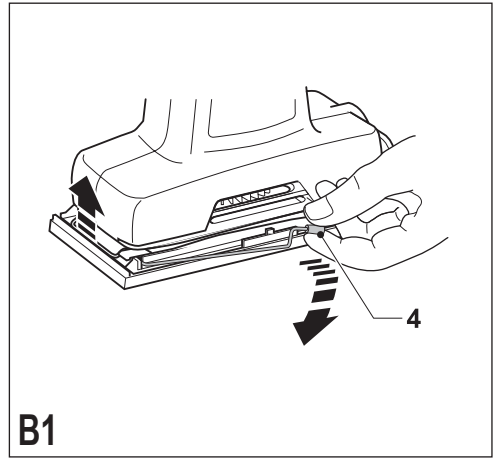
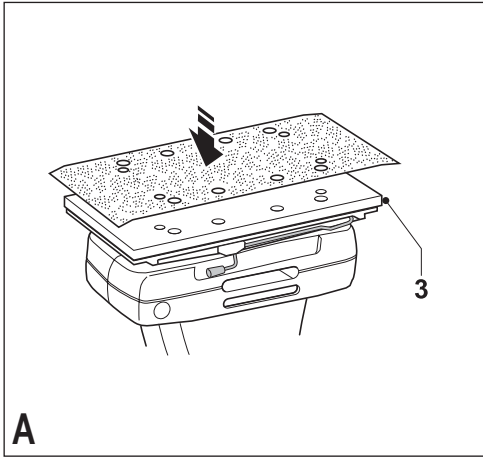
# STANLEY

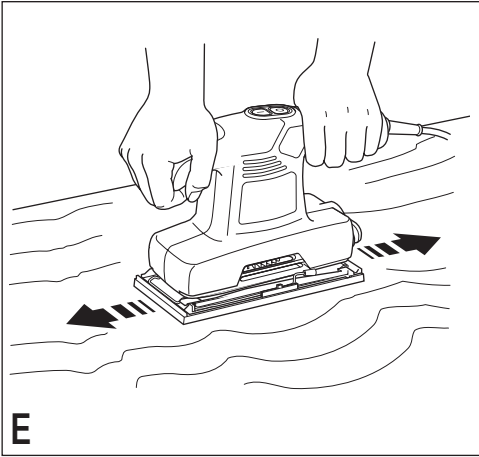
®



STEL421

English	4
简体中文	8
INDONESIA	12
ภาษาไทย	16
TIẾNG VIỆT	20





## STEL421 1/3 Sheet Sander

### Technical data

		STEL421
Input voltage	V <sub>AC</sub>	220-240
Power input	W	210
Oscillations (no load)	min <sup>-1</sup>	14,000 - 30,000
Orbits (no load)	min <sup>-1</sup>	7,000 - 15,000
Sanding base surface	mm	90 x 187
Weight	kg	1.3

### Intended use

Your Stanley sander has been designed for sanding wood, metal, plastics and painted surfaces. This tool is intended for consumer use only.

### Safety instructions

#### General power tool safety warnings



**Warning! Read all safety warnings and all instructions.** Failure to follow the warnings and instructions listed below may result in electric shock, fire and/or serious injury.

#### Save all warnings and instructions for future reference.

The term "power tool" in all of the warnings listed below refers to your mains operated (corded) power tool or battery operated (cordless) power tool.

#### 1. Work area safety

- Keep work area clean and well lit.** Cluttered or dark areas invite accidents.
- Do not operate power tools in explosive atmospheres, such as in the presence of flammable liquids, gases or dust.** Power tools create sparks which may ignite the dust or fumes.
- Keep children and bystanders away while operating a power tool.** Distractions can cause you to lose control.

#### 2. Electrical safety

- Power tool plugs must match the outlet. Never modify the plug in any way. Do not use any adapter plugs with earthed (grounded) power tools.** Unmodified plugs and matching outlets will reduce risk of electric shock.
- Avoid body contact with earthed or grounded surfaces such as pipes, radiators, ranges and refrigerators.** There is an increased risk of electric shock if your body is earthed or grounded.
- Do not expose power tools to rain or wet conditions.** Water entering a power tool will increase the risk of electric shock.

- Do not abuse the cord. Never use the cord for carrying, pulling or unplugging the power tool. Keep cord away from heat, oil, sharp edges or moving parts.** Damaged or entangled cords increase the risk of electric shock.
- When operating a power tool outdoors, use an extension cord suitable for outdoor use.** Use of a cord suitable for outdoor use reduces the risk of electric shock.
- If operating a power tool in a damp location is unavoidable, use a residual current device (RCD) protected supply.** Use of an RCD reduces the risk of electric shock.

#### 3. Personal safety

- Stay alert, watch what you are doing and use common sense when operating a power tool. Do not use a power tool while you are tired or under the influence of drugs, alcohol or medication.** A moment of inattention while operating power tools may result in serious personal injury.
- Use personal protective equipment. Always wear eye protection.** Protective equipment such as dust mask, non-skid safety shoes, hard hat, or hearing protection used for appropriate conditions will reduce personal injuries.
- Prevent unintentional starting. Ensure the switch is in the off-position before connecting to power source and/or battery pack, picking up or carrying the tool.** Carrying power tools with your finger on the switch or energising power tools that have the switch on invites accidents.
- Remove any adjusting key or wrench before turning the power tool on.** A wrench or a key left attached to a rotating part of the power tool may result in personal injury.
- Do not overreach. Keep proper footing and balance at all times.** This enables better control of the power tool in unexpected situations.
- Dress properly. Do not wear loose clothing or jewellery. Keep your hair, clothing and gloves away from moving parts.** Loose clothes, jewellery or long hair can be caught in moving parts.
- If devices are provided for the connection of dust extraction and collection facilities, ensure these are connected and properly used.** Use of dust collection can reduce dust-related hazards.

#### 4. Power tool use and care

- Do not force the power tool. Use the correct power tool for your application.** The correct power tool will do the job better and safer at the rate for which it was designed.
- Do not use the power tool if the switch does not turn it on and off.** Any power tool that cannot be controlled with the switch is dangerous and must be repaired.

- c. **Disconnect the plug from the power source and/or the battery pack from the power tool before making any adjustments, changing accessories, or storing power tools.** Such preventive safety measures reduce the risk of starting the power tool accidentally.
  - d. **Store idle power tools out of the reach of children and do not allow persons unfamiliar with the power tool or these instructions to operate the power tool.** Power tools are dangerous in the hands of untrained users.
  - e. **Maintain power tools. Check for misalignment or binding of moving parts, breakage of parts and any other condition that may affect the power tools operation. If damaged, have the power tool repaired before use.** Many accidents are caused by poorly maintained power tools.
  - f. **Keep cutting tools sharp and clean.** Properly maintained cutting tools with sharp cutting edges are less likely to bind and are easier to control.
  - g. **Use the power tool, accessories and tool bits etc. in accordance with these instructions, taking into account the working conditions and the work to be performed.** Use of the power tool for operations different from those intended could result in a hazardous situation.
5. **Service**
- a. **Have your power tool serviced by a qualified repair person using only identical replacement parts.** This will ensure that the safety of the power tool is maintained.

- ◆ Take special care when sanding paint which is possibly lead based or when sanding some woods and metal which may produce toxic dust:
  - Do not let children or pregnant women enter the work area.
  - Do not eat, drink or smoke in the work area.
  - Dispose of dust particles and any other debris safely.
- ◆ This tool is not intended for use by persons (including children) with reduced physical, sensory or mental capabilities, or lack of experience and knowledge, unless they have been given supervision or instruction concerning use of the appliance by a person responsible for their safety. Children should be supervised to ensure that they do not play with the appliance.
- ◆ The intended use is described in this instruction manual. The use of any accessory or attachment or performance of any operation with this tool other than those recommended in this instruction manual may present a risk of personal injury and/or damage to property.

## Safety of others

- ◆ This appliance is not intended for use by persons (including children) with reduced physical, sensory or mental capabilities, or lack of experience and knowledge, unless they have been given supervision or instruction concerning use of the appliance by a person responsible for their safety.
- ◆ Children should be supervised to ensure that they do not play with the appliance.

## Additional power tool safety warnings



**Warning!** Additional safety warnings for sanders

- ◆ **Hold the power tool by insulated gripping surfaces, because the sanding belt / sanding base may contact its own cord.** Cutting a "live" wire may make exposed metal parts of the power tool "live" could give the operator an electric shock.
- ◆ **Use clamps or another practical way to secure and support the workpiece to a stable platform.** Holding the work by hand or against your body leaves it unstable and may lead to loss of control.
- ◆ **Warning!** Contact with or inhalation of dusts arising from sanding applications may endanger the health of the operator and possible bystanders. Wear a dust mask specifically designed for protection against dust and fumes and ensure that persons within or entering the work area are also protected.
- ◆ Thoroughly remove all dust after sanding.

## Residual risks.

Additional residual risks may arise when using the tool which may not be included in the enclosed safety warnings. These risks can arise from misuse, prolonged use etc.

Even with the application of the relevant safety regulations and the implementation of safety devices, certain residual risks can not be avoided. These include:

- ◆ **Injuries caused by touching any rotating/moving parts.**
- ◆ **Injuries caused when changing any parts, blades or accessories.**
- ◆ **Injuries caused by prolonged use of a tool. When using any tool for prolonged periods ensure you take regular breaks.**
- ◆ **Impairment of hearing.**
- ◆ **Health hazards caused by breathing dust developed when using your tool (example:- working with wood, especially oak, beech and MDF.)**

## Labels on tool

The following pictograms are shown on the tool:



**Warning!** To reduce the risk of injury, the user must read the instruction manual.

## Electrical safety



This tool is double insulated; therefore no earth wire is required. Always check that the power supply corresponds to the voltage on the rating plate.

- ◆ If the supply cord is damaged, it must be replaced by the manufacturer or an authorised Stanley Service Centre in order to avoid a hazard.

## Using an extension cable

- ◆ Always use an approved extension cable suitable for the power input of this tool (see technical data). Before use, inspect the extension cable for signs of damage, wear and ageing. Replace the extension cable if damaged or defective. When using a cable reel, always unwind the cable completely. Use of an extension cable not suitable for the power input of the tool or which is damaged or defective may result in a risk of fire and electric shock.

## Features

This tool includes some or all of the following features.

1. On/off switch
2. Dust extraction outlet
3. Sanding base
4. Paper clamp lever
5. Variable speed control knob

## Assembly

**Warning!** Before assembly, make sure that the tool is switched off and unplugged.

### Fitting sanding sheets (fig. A & B1 - B3)

**Warning!** Never use the tool without a sanding sheet or accessory in place.

#### Fitting sanding sheets with nylon loops (fig. A)

- ◆ Make sure that the tool is switched off and unplugged.
- ◆ Press the sheet firmly and evenly onto the sanding base (3), making sure that the holes in the sheet line up with the holes in the base.

#### Fitting regular sanding sheets (fig. B1 - B3)

- ◆ Make sure that the tool is switched off and unplugged.
- ◆ Soften the sanding sheet by rubbing its non-abrasive side over the edge of a worktop.

- ◆ Press the paper clamp levers (4) upwards to release them from the retaining grooves and open the paper clamps by pressing them down (fig. B1).
- ◆ Place the sheet onto the sanding base (3), making sure that the holes in the sheet line up with the holes in the base (fig. B2).
- ◆ Insert the edge of the sanding sheet into the front paper clamp as shown (fig. B3).
- ◆ Press the front paper clamp lever (4) downwards and locate it in the retaining groove.
- ◆ While keeping a slight tension on the sheet, insert the rear edge of the sheet into the rear paper clamp.
- ◆ Press the rear paper clamp lever (4) downwards and locate it in the retaining groove.

### Fitting and removing the dustbag (fig. C)

- ◆ Fit the dustbag (6) over the dust extraction outlet (2).
- ◆ Slide the dustbag onto the tool and make sure that it is securely located.
- ◆ To remove the dustbag, pull it to the rear and off the outlet.

## Use

**Warning!** Let the tool work at its own pace. Do not overload.

### STEL421 - Variable speed control

The variable speed control allows you to adapt the speed of the tool to the workpiece material.

- ◆ Set the control knob (5) to the desired setting. Use a high speed for wood, medium speed for veneer and synthetics and low speed for acrylic glass, non-ferrous metals and for removing paints.

### Switching on and off (fig. D)

- ◆ To switch the tool on, press the front part I of the on/off switch (1).
- ◆ To switch the tool off, press the rear part O of the on/off switch.

### Emptying the dustbag (fig. C)

The dustbag (6) should be emptied every 10 minutes of use.

- ◆ Pull the dustbag (6) to the rear and off the tool.
- ◆ Hold the spout down and shake the dustbag (6) to empty the contents.
- ◆ Slide the dustbag (6) onto the tool and make sure that it is securely located.

### Hints for optimum use (fig. E)

- ◆ Always hold the tool with both hands.
- ◆ Do not exert too much pressure on the tool.
- ◆ Regularly check the condition of the sanding sheet. Replace when necessary.

- ◆ Always sand with the grain of the wood.
- ◆ When sanding new layers of paint before applying another layer, use extra fine grit.
- ◆ On very uneven surfaces, or when removing layers of paint, start with a coarse grit. On other surfaces, start with a medium grit. In both cases, gradually change to a fine grit for a smooth finish.
- ◆ Consult your retailer for more information on available accessories.

## Accessories

The performance of your tool depends on the accessory used. Stanley and Piranha accessories are engineered to high quality standards and designed to enhance the performance of your tool. By using these accessories you will get the very best from your tool.

## Maintenance

Your tool has been designed to operate over a long period of time with a minimum of maintenance. Continuous satisfactory operation depends upon proper tool care and regular cleaning.

**Warning!** Before performing any maintenance, switch off and unplug the tool.

- ◆ Regularly clean the ventilation slots in your tool using a soft brush or dry cloth.
- ◆ Regularly clean the motor housing using a damp cloth.  
Do not use any abrasive or solvent-based cleaner.

## Service Information

Stanley offers a full network of company-owned and authorized service locations throughout Asia. All Stanley Service Centers are staffed with trained personnel to provide customers with efficient and reliable power tool service. Whether you need technical advice, repair, or genuine factory replacement parts, contact the Stanley location nearest to you.

## Notes

- Stanley's policy is one of continuous improvement to our products and, as such, we reserve the right to change product specifications without prior notice.
- Standard equipment and accessories may vary by country.
- Product specifications may differ by country.
- Complete product range may not be available in all countries. Contact your local Stanley dealers for range availability.

## STEL421 1/3 平板砂光机

### 技术参数

		STEL421
输入电压	伏特(交流电)	220
输入功率	瓦特	200
震动次数(空载)	/分钟	14,000 - 30,000
轨道次数(空载)	/分钟	7,000 - 15,000
砂光板表面尺寸	毫米	90 x 187
重量	千克	1.3

### 设计用途

本史丹利砂光机的设计用途是砂光木材、金属、塑料以及油漆表面。本工具专为个人用户使用。

### 安全须知

#### 电动工具安全通则

**警告！** 阅读所有警告和所有说明。不遵照以下警告和说明会导致电击、着火和/或严重伤害。

保存所有警告和说明书以备将来查阅。

在所有下列警告中术语“电动工具”指市电驱动(有线)电动工具或电池驱动(无线)电动工具。

#### a) 工作场地的安全

- 1) 保持工作场地清洁和明亮。混乱和黑暗的场地会引发事故。
- 2) 不要在易爆环境，如有易燃液体、气体或粉尘的环境下操作电动工具。电动工具产生的火花会点燃粉尘或气体。
- 3) 让儿童和旁观者离开后操作电动工具。注意力不集中会使操作者失去对工具的控制。

#### b) 电气安全

- 1) 电动工具插头必须与插座相配。绝不能以任何方式改装插头。需接地的电动工具不能使用任何转换插头。未经改装的插头和相配的插座将减少电击危险。
- 2) 避免人体接触接地表面，如管道、散热片、冰箱。如果你身体接地会增加电击危险。
- 3) 不得将电动工具暴露在雨中或潮湿环境中。水进入电动工具将增加电击危险。
- 4) 不得滥用电线。绝不能使用电线搬运、拉动电动工具或拔出其插头。使电线远离热源、油、

锐边或运动部件。受损或缠绕的软线会增加电击危险。

- 5) 当在户外操作电动工具时，使用适合户外使用的外接软线。适合户外使用的软线将减少电击的危险。
- 6) 如果在潮湿的环境下操作电动工具是不可避免的，应使用剩余电流动作保护器(RCD)。使用RCD可减小电击的危险。

#### c) 人身安全

- 1) 保持警觉。当操作电动工具时关注所从事的操作并保持清醒。当你感到疲倦，或在有药物、酒精或治疗反应时，不要操作电动工具。在操作电动工具时瞬间的疏忽会导致严重人身伤害。
- 2) 使用个人防护装置。始终佩戴护目镜。安全装置，诸如适当条件下使用防尘面具、防滑安全鞋、安全帽，听力防护等装置能减少人身伤害。
- 3) 防止意外起动。确保开关在连接电源和/或电池盒、拿起或搬运工具时处于关断位置。手指放在已经接通电源的开关上或开关处于接通时插入插头可能会导致危险。
- 4) 在电动工具接通之前，拿掉所有调节钥匙或扳手。遗留在电动工具旋转零件上的扳手或钥匙会导致人身伤害。
- 5) 手不要伸得太长。时刻注意立足点和身体平衡。这样在意外情况下能很好地控制电动工具。
- 6) 着装适当。不要穿宽松的衣服或佩戴饰品。让衣服、手套和头发远离运动部件。宽松衣服、配饰或长发可能会卷入运动部件中。
- 7) 如果提供了与排屑装置、集尘设备连接用的装置，要确保这些装置连接完好且使用得当。使用这些装置可减少碎屑引起的危险。

#### d) 电动工具的使用和注意事项

- 1) 不要滥用电动工具。根据用途使用适当的电动工具。选用适当设计的电动工具会使你工作更有效、更安全。
- 2) 如果开关不能接通或关断工具电源，则不能使用该电动工具。不能用开关来控制的电动工具是危险的且必须进行修理。
- 3) 在进行任何调节、更换附件或贮存电动工具之前，必须从电源上拔掉插头和/或使电池盒与工具脱开。这种防护性措施将减少工具意外起动的危险。
- 4) 将闲置不用的电动工具贮存在儿童所及范围之外，并且不要让不熟悉电动工具或对这些说明



不了解的人操作电动工具。电动工具在未经培训的用户手中是危险的。

- 5) 保养电动工具。检查运动部件是否调整到位或卡主、检查零件破损情况和影响电动工具运行的其他状况。如有损坏，电动工具应在使用前修理好。许多事故由维护不良电动工具所引发。
- 6) 保持切削刀具锋利和清洁。保养良好的有锋利切削刃的刀具不易卡住而且更容易控制。
- 7) 按照使用说明书，考虑作业条件和进行的工作来使用电动工具、附件和工具的刀头等。将电动工具用于那些与其用途不符的操作可能会导致危险。

#### e) 维修

- 1) 将你的电动工具送交专业维修人员，使用同样的备件进行修理。这样将确保所维修的电动工具的安全性。

## 电动工具安全通则



**注意！砂光机安全附则。**

- 1) 紧固件可能接触隐藏的导线时，请仅握持绝缘的把手表面。如果紧固件接触“带电”导线，工具暴露金属部件的表面会“带电”，并且导致操作员触电。
- 2) 请使用夹钳或其它切实可行的方法来固定和支撑工件，将其固定到稳定的工作台上。用手抓住工件或用身体抵住工件并不稳定，可能会导致工件失控。
- 3) 警告！砂光作业会产生粉尘，如果不慎与之接触或吸入，会危害操作人员甚至周围人员的健康。请佩戴专用防尘面罩，并保证工作区内人员和进入工作区的人员也采取保护措施。
- 4) 砂光作业后，请彻底清除所有粉尘。打磨可能含铅的油漆、或打磨某些可能产生有害粉尘的木材与金属时，必须格外小心：
  - 禁止儿童或孕妇进入工作区域。
  - 禁止在工作区内吃、喝、抽烟。
  - 安全处理粉尘颗粒及其它碎屑。
- 5) 除非其安全负责人进行工具使用的监督或指导，否则体力、感知能力或心智不足的人（包括儿童），或缺乏相关经验与知识的人不得使用本工具。必须看管儿童，勿使其拿本工具玩耍。
- 6) 本指导手册已经说明了预定用途。如果配件或附件的使用、本工具的操作超出本指导手册建议的范围，则可能出现人身伤害和/或财产损失风险。

## 他人安全

- 1) 除非其安全负责人进行工具使用的监督或指导，否则体力、感知能力或心智不足的人（包括儿童）不得使用本工具。
- 2) 必须看管儿童，勿使其拿本工具玩耍。

## 残余风险

使用工具时，可能出现本安全警示之外的其它残余风险。这些风险可能来自使用不当、使用时间过长等。

尽管实行了相关的安全法规、采用安全装置，某些残余风险是不可避免的，这包括：

- 接触旋转/移动部件时的伤害风险。
- 更换部件、刀具或配件时的伤害风险。长期使用时的伤害风险。长期使用任何工具时，均应定期休息。
- 听力损伤。
- 吸入工具使用过程中产生的粉尘后，导致健康风险  
(例如：使用木材，特别是橡木、山毛榉和中等密度纤维板时)。

## 工具上的标记

本工具有如下图形标志：



**警告！**为降低伤害风险，使用前务必阅读使用手册。

## 电气安全



本工具为双重绝缘，因此无须接地线。随时检查并确保电源电压与铭牌上的使用电压相符。

- ◆ 如果电源线损坏，必须由厂商或史丹利授权服务中心更换，以排除隐患。

## 延长线的使用

- ◆ 务必使用经过认证的、与本工具输入功率匹配的延长线（见技术参数）。使用前，必须检查延长线是否有损坏、磨损或老化迹象。如果损坏或有问题，请更换延长线。使用电缆卷筒时，始终保持电缆完全展开。如果使用的延长线与工具输入功率不匹配，或延长线损坏或有问题，则可能带来火灾与触电风险。

## 部件名称

本工具包含以下部分或全部部件：

1. On/off开关
2. 排尘口
3. 打磨底座
4. 砂纸夹紧杆
5. 调速旋钮

## 组装

**警告！** 组装前，请确保工具开关关闭并拔下电源插头。

### 安装砂纸 (图A和B1 - B3)

**警告！** 禁止在不装砂纸或配件的情况下使用本工具。

### 带尼龙环砂纸的安装 (图A)

- ◆ 请确保工具开关关闭并拔下电源插头。
- ◆ 把砂纸牢固、均匀地按入打磨底座 (3) 内，并确保砂纸上的孔与底座上的孔对正。

### 安装普通砂纸 (图B1 - B3)

- ◆ 请确保工具开关关闭并拔下电源插头。
- ◆ 把砂纸的非打磨面在工作台的边缘摩擦，使其变软。
- ◆ 把砂纸夹紧杆 (4) 向上按，把它们从卡槽中释放出来，然后向下按夹紧杆，将其打开。(图B1)
- ◆ 将砂纸放到砂光板 (3) 上，确保砂纸孔与砂光板孔 - 对应 (图B2)。
- ◆ 如图所示，把砂纸的边缘插入前砂纸夹。(图B3)
- ◆ 向下按前砂纸夹紧杆 (4)，将其定位于卡槽内。
- ◆ 轻微拉紧砂纸的同时，把砂纸的后边缘插入后砂纸夹内。
- ◆ 向下按后砂纸夹紧杆 (4)，将其定位于卡槽内。

### 集尘袋的安装与拆卸 (图C)

- ◆ 把集尘袋 (6) 对准排尘口 (2)。
- ◆ 把集尘袋滑动安装到工具上，确保其牢固固定。
- ◆ 要拆卸集尘袋，将其向后拉，从排尘口取下。

## 使用步骤

**警告！** 让工具在自有节奏下工作，切勿过载。

## STEL421 - 调速控制

调速功能使工具速度与工件材料相适应。

- ◆ 将控制旋钮 (5) 设定到所需档位。高速适合木材，中速适合胶合板或合成材料，低速适合亚克力玻璃、有色金属以及清除油漆等。

### 打开与关闭 (图D)

- ◆ 要启动工具，按下on/off开关 (1) 的前部“1”。
- ◆ 要关闭工具，按下on/off开关的后部“0”。

### 清空集尘袋 (图C)

集尘袋 (6) 应每10分钟清空一次。

- ◆ 将集尘袋 (6) 向后拉，与工具脱离。
- ◆ 将袋口朝下并摇动集尘袋 (6)，将其清空。
- ◆ 将集尘袋 (6) 滑动安装到工具上，确保牢固固定位。

## 最佳使用指南 (图E)

- ◆ 始终双手紧握工具
- ◆ 不得对工具施加过大压力。
- ◆ 定期检查砂纸的状况。必要时应更换砂纸。
- ◆ 务必顺木材纹理打磨。
- ◆ 涂另一道油漆前，在新漆面上打磨时，应使用超细砂纸。
- ◆ 打磨极不平整表面，或清除油漆层时，在开始时应采用粗粒度。对于其它表面，采用中等粒度。在两种情况下，逐渐改为细粒度，以获得光面平整。
- ◆ 请向您的零售商咨询可用配件的更多信息。

## 配件

本工具的性能表现取决于您使用何种配件。史丹利和Piranha配件质量标准高，其设计有利于提高工具性能。这些配件能够把本工具的优点发挥得淋漓尽致。

## 维护

本电动工具设计精良，可以长期运作，而只需极少的维护。要取得连续的令人满意的工作效果，需要您做合适的保养和定期的清洁。

**警告！开始任何维护工作前，请关闭工具开关并拔下插头。**

- ◆ 定期使用干燥的软刷或干抹布清洁工具的通风口。
- ◆ 定期使用干净的湿抹布清洁马达外壳。切勿使用任何研磨型或溶剂型清洁剂。

## 服务资讯

史丹利完善的自有和授权服务网络遍布全亚洲。所有史丹利服务中心的员工都经过专门培训，可以为客户提供高效、可靠的电动工具服务。无论您需要技术咨询、维修或是正宗的原装配件，请联系离您最近的史丹利服务站。

## 备注

- ◆ 史丹利的政策之一就是持续改善我们的产品，因此，我们保留随时变更产品规格的权利，恕不另行通知。
- ◆ 标准设备和配件可能会根据不同的国家而有所不同。
- ◆ 产品规格可能会根据不同的国家而有所不同。
- ◆ 并非所有国家都有提供完整的产品系列。如需各产品系列的供应情，请联络您当地的史丹利代理商。

**制造商：百得美国公司**

**地址：701 E Joppa Rd, TW050 MD21286, Towson, 美国**

**产地：江苏苏州**

## STEL421 PENGAMPELAS ELEKTRIK 1/3

### DATA TEKNIS

		STEL421
TEGANGAN	V	220–240
DAYA INPUT	W	210
ORBIT (TANPA BEBAN)	/min <sup>-1</sup>	14.000 – 30.000
OSILASI (TANPA BEBAN)	/min <sup>-1</sup>	7.000 – 15.000
PERMUKAAN AMPELAS	mm	90 x 187
BERAT	kg	1,12

### MAKSUD PENGGUNAAN

Amplas Stanley Anda telah dirancang untuk pengamplasan kayu, logam, plastik dan permukaan yang dicat. Alat ini ditujukan untuk penggunaan konsumen saja.ssss

### INSTRUKSI KESELAMATAN

Peringatan keamanan alat listrik umum



**Peringatan!** Baca semua peringatan keamanan dan semua instruksi. Gagal mengikuti semua petunjuk dapat menyebabkan sengatan listrik, kebakaran dan / atau cedera serius.

### Simpan semua peringatan dan instruksi untuk referensi di masa mendatang.

Istilah "Power Tool" dalam semua peringatan yang tercantum di bawah ini mengacu pada pengoperasian kelistrikan "power tool" anda (memakai kabel) atau power tool yang beroperasi dengan baterai (tanpa kabel).

#### 1. Keselamatan Area kerja.

- Jaga area kerja bersih dan terang.** Daerah yang berantakan atau gelap mengundang kecelakaan.
- Jangan mengoperasikan alat-alat listrik di lingkungan yang mudah terjadi ledakan, seperti dengan adanya cairan mudah meledak, gas atau debu.** Alat-alat listrik membuat percikan api yang dapat membakar debu atau asap.
- Jauhkan anak-anak dan para pengamat menjauh pada saat pengoperasian power tool.** Gangguan dapat menyebabkan Anda kehilangan kontrol.

#### 2. Keamanan elektrik

- Colokan Power tool harus sesuai outlet. Jangan memodifikasisteker dengan cara apapun.** Jangan menggunakan colokan adaptor apapun pada power tool yang dibumikan (grounded). Colokan

yang tidak dimodifikasi dan outlet yang sesuai akan mengurangi risiko kejutan listrik.

- Hindari kontak tubuh dengan permukaan yang dibumikan atau grounded seperti pipa, radiator, kompor dan kulkas.** Ada peningkatan risiko sengatan listrik jika tubuh Anda dibumikan atau ground.
  - Jangan memaparkan power tool pada hujan atau kondisi basah.** Air yang masuk pada power tool akan meningkatkan risiko sengatan listrik.
  - Jangan menyalahgunakan kabelnya. Jangan menggunakan kabel untuk membawa, menarik atau mencabut power tool.** Jauhkan kabel dari panas, minyak, tepi tajam atau bagian yang bergerak. Kabel rusak atau terbelit meningkatkan risiko sengatan listrik.
  - Ketika mengoperasikan power tool di luar ruangan, gunakankabel ekstensi yang sesuai untuk penggunaan outdoor.** Penggunaan kabel yang cocok untuk penggunaan outdoor mengurangi risiko sengatan listrik.
  - Jika tidak dapat dihindari mengoperasikan power tool di lokasi yang lembab, gunakan perangkat arus sisa (RCD) dilindungi pasokan.** Penggunaan RCD mengurangi risiko sengatan listrik.
- ### 3. Keselamatan Pribadi
- Tetap waspada, perhatikan apa yang Anda lakukan dan gunakanakal sehat saat mengoperasikan power tool.** Jangan menggunakan alat listrik saat Anda lelah atau di bawah pengaruh obat-obatan, alkohol atau obat. Sesaat kurangnya perhatian saat mengoperasikan alat-alat listrik dapat menyebabkan cedera pribadi yang serius.
  - Gunakan peralatan perlindungan pribadi. Selalu memakai perlindungan mata.** Peralatan pelindung seperti masker debu, sepatu safety non-selip, topi keras, atau perlindungan pendengaran yang digunakan untuk kondisi yang tepat akan mengurangi cedera pribadi.
  - Mencegah dari memulai dengan tidak disengaja. Pastikan saklar dalam posisi off-sebelum terhubung ke sumber listrik dan / atau kemasan baterai, mengambil atau membawa alat.** Membawa power tool dengan jari Anda pada switch atau power tool yang sedang di aliri energi dengan posisi saklar diaktifkan, dapat mengundang kecelakaan.
  - Pindahkan perkakas atau kunci Inggris sebelum menyalakan power tool.** Sebuah kunci Inggris terpasang ke bagian pemutar dari power tool

dapat mengakibatkan cedera.

- e. **Jangan melampaui batas.** Jaga pijakan dan keseimbangan yang tepat setiap saat. Hal ini memungkinkan kontrol yang lebih baik pada power tool dalam situasi yang tidak terduga.
- f. **Berpakaian secara layak.** Jangan memakai pakaian yang longgar atau perhiasan. Jauhkan rambut, pakaian dan sarung tangan anda dari bagian yang bergerak. Pakaian longgar, perhiasan atau rambut panjang dapat terjatoh di bagian yang bergerak.
- g. **Jika disediakan perangkat untuk sambungan dari debu ekstraksi dan koleksi fasilitas, pastikan ini sudah terhubung dan digunakan dengan benar.** Penggunaan perangkat ini dapat mengurangi bahaya yang berhubungan dengan debu.

#### 4. Menggunakan alat listrik dan perawatannya.

- a. **Jangan menggunakan power tool dengan paksa. Gunakan power tool yang sesuai untuk aplikasi Anda.** Power tool yang benar akan melakukan pekerjaannya lebih baik dan lebih aman sesuai dengan peruntukannya.
- b. **Jangan gunakan alat listrik jika saklar tidak menyala on dan off. Setiap power tool yang tidak dapat dikontrol dengan saklar, berbahaya dan harus diperbaiki.**
- c. **Lepaskan steker dari sumber listrik dan / ataukeluarkan baterai dari power tool sebelum membuat penyesuaian, mengganti aksesoris, atau menyimpan power tool.** Langkah-langkah keamanan yang preventif mengurangi risiko menyalakan power tool dengan tidak sengaja.
- d. **Simpan power tool yang tidak digunakan ditempat yang jauh dari jangkauan anak-anak dan jangan mengizinkan orang asing yang tidak terbiasa dengan power tool atau instruksi ini untuk mengoperasikan power tool.** Power tool berbahaya jika berada di tangan orang yang tidak terlatih.
- e. **Rawat power tool. Periksa ketidaksesuaian atau pengikatan bagian yang bergerak, kerusakan bagian-bagian dan setiap kondisi lain yang dapat mempengaruhi pengoperasian power tool. Jika rusak, perbaiki power tool sebelum digunakan.** Banyak kecelakaan disebabkan oleh alat-alat listrik kurang terpelihara.
- f. **Jaga lah agar alat pemotong tetap tajam dan bersih. Rawatlah alat pemotong dengan sesuai dengan merawat tepi pemotong tetap tajam agar tidak gampang berikatan dan**

lebih mudah untuk mengontrol.

- g. **Gunakan alat listrik, aksesoris, alat bit, dll sesuai dengan petunjuk ini, dengan mempertimbangkan kondisi kerja dan pekerjaan yang harus dilakukan. Mengoperasikan power tool untuk sesuatu yang berbeda dari yang dimaksudkan bisa mengakibatkan situasi berbahaya.**
5. **Servis**
    - a. **Servis power tool anda pada orang yang ahli dengan gunakan hanya suku cadang yang sama.** Ini akan memastikan bahwa keselamatan power tool dipelihara.

#### PERINGATAN KESELAMATAN TAMBAHAN POWER TOOL



**Peringatan!** Peringatan keamanan tambahan untuk Para Pengampelas.

- **Pegang power tool pada permukaan pegangan yang terbalut, karena sabuk ampelas / dasar ampelas dapat terkontak dengan kabelnya.** Memotong kawat yang "hidup" dapat membuat logam yang terbuka pada bagian power tool "hidup" dan mengejutkan operator.
- **Gunakan klem atau cara lain yang praktis untuk mengamankan dan mendukung pekerjaan ke platform yang stabil.** Memegang pekerjaan dengan tangan atau bersentuhan tubuh anda akan membuatnya tidak stabil dan dapat mengakibatkan hilangnya kontrol.
- **Peringatan!** Kontak dengan atau menghirup debu yang timbul dari pengerjaan pengamplasan dapat membahayakan kesehatan operator dan bisa juga para pengamat. Kenakan masker debu yang khusus dirancang untuk perlindungan terhadap debu dan asap dan memastikan bahwa orang-orang di dalam atau yang memasuki area kerja juga dilindungi.
- Bersihkan debu dengan seksama setelah pengamplasan.
- **Hati-hati** ketika mengamplasi cat yang mungkin menyebabkan atau ketika mengamplasi kayu dan logam yang dapat menghasilkan debu beracun:
  - Jangan membiarkan anak-anak atau wanita hamil memasuki area kerja.
  - Jangan makan, minum atau merokok di area kerja.
  - Gunakanlah partikel debu dan puing-puing lainnya secara aman.
- Alat ini tidak dimaksudkan untuk digunakan oleh orang (termasuk anak-anak) dengan cacat fisik,

cacat indera atau cacat mental, atau kurangnya pengalaman dan pengetahuan, kecuali mereka telah diberikan pengawasan atau instruksi berkaitan dengan penggunaan alat oleh orang bertanggung jawab untuk keselamatan mereka. Anak-anak harus diawasi untuk memastikan bahwa mereka tidak bermain dengan alat.

- Penggunaan yang dimaksudkan dijelaskan dalam instruksi manual. Penggunaan aksesoris atau lampiran atau kinerja operasi apapun dengan alat ini selain yang direkomendasikan dalam manual ini instruksi dapat menyebabkan resiko cedera pribadi dan / atau kerusakan properti.

### Keselamatan listrik

- Alat ini tidak dimaksudkan untuk digunakan oleh orang (termasuk anak-anak) dengan cacat fisik, cacat indera atau cacat mental, atau kurangnya pengalaman dan pengetahuan, kecuali mereka telah diberikan pengawasan atau instruksi berkaitan dengan penggunaan alat oleh orang bertanggung jawab untuk keselamatan mereka.
- Anak-anak harus diawasi untuk memastikan bahwa mereka tidak bermain dengan alat.

### Resiko Residu

Resiko residu tambahan akan muncul ketika menggunakan alat yang mungkin tidak termasuk dalam peringatan keamanan. Resiko ini dapat timbul karena salah penggunaan, penggunaan yang lama, dll.

Bahkan walaupun dengan peralatan dari aturan keamanan yang relevan dan pengimplementasian keselamatan peralatan, beberapa resiko residu tidak dapat dihindari. Ini termasuk:

- Cedera yang disebabkan karena menyentuh bagian berputar/bergerak.
- Cedera yang disebabkan ketika mengganti bagian, pisau atau aksesoris.
- Cedera yang disebabkan penggunaan peralatan dalam waktu yang lama. Ketika menggunakan peralatan apa saja dalam waktu lama pastikan anda melakukan penghentian berkala.
- Gangguan pendengaran.
- Bahaya kesehatan yang disebabkan menghirup debu yang ada ketika menggunakan peralatan anda (contoh: bekerja dengan kayu, terutama ek, beech dan MDF.)

### Label pada alat

Piktogram berikut ini akan ditampilkan pada alat:



**Peringatan!** Untuk mengurangi resiko cedera, pengguna harus membaca instruksi manual.

### Keselamatan Listrik

Alat ini terisolasi ganda, sehingga tidak diperlukan kabel bumi. Selalu periksa bahwa power supply sesuai dengan tegangan pada plat rating.

- Jika kabel yang ada rusak, harus di ganti oleh produsen atau Pusat Servis Stanley yang resmi untuk menghindari terjadinya bahaya.

### Menggunakan kabel tambahan

- Selalu gunakan kabel tambahan yang sudah disetujui untuk input daya dari alat ini (lihat data teknis). Sebelum menggunakan, periksa kabel tambahan jika ada tanda kerusakan, aus dan sudah tua. Ganti sambungan kabel jika rusak dan cacat. Jika menggunakan kabel gulungan, selalu buka kabel dengan komplit. Menggunakan kabel sambungan yang tidak sesuai untuk input daya peralatan atau jika sudah rusak atau cacat dapat menimbulkan resiko kebakaran atau sengatan listrik.

### Fitur

Alat ini disertakan dengan beberapa atau semua fitur dibawah ini:

1. On / off switch
2. Buangan debu
3. Alas pengamplas
4. Tuas penjepit kertas
5. Tombol pengontrol kecepatan variabel

### Perakitan



**Peringatan!** Sebelum perakitan, pastikan bahwa alat dimatikan dan dicabut.

### Pemasangan lembar pengamplasan (Gbr. A & B)



**Peringatan!** Jangan menggunakan peralatan tanpa selembaar pengamplasan atau aksesoris di tempatnya.

### Pemasangan lembaran pengamplasan dengan loop nilon (Gbr. A)



**Peringatan!** Pastikan bahwa alat ini dimatikan dan dicabut.

- Tekan lembar dengan kuat dan merata ke dasar pengamplasan (4), pastikan bahwa lubang dalam garis sejajar dengan lubang-lubang di dasar.

### Pemasangan lembar amplasa reguler (Gbr. B1 – B3)

- Pastikan bahwa alat ini dimatikan dan dicabut.
- Lunakkan lembar pengamplasan dengan menggosok sisi non-abrasif pada tepi bidang kerja bagian atas.

- Tekan tuas penjepit kertas (5) ke atas untuk melepaskan nya dari alur penahan dan buka klem kertas dengan menekan nya (Gbr. B1).
- Tempatkan lembar ke dasar pengamplasan (3), pastikan lubang dalam kertas sejajar dengan lubang di dasar (Gbr. B2).
- Masukkan ujung lembaran pengamplasan ke penjepit kertas depan seperti yang ditunjukkan (Gbr. B3)
- Tekan kertas penjepit depan tuas (4) ke bawah dan cari di alur penahan.
- Sambil menjaga sedikit ketegangan pada lembar tersebut, masukkan ujung belakang kertas itu ke penjepit kertas belakang.
- Tekan tuas kertas penjepit belakang (4) ke bawah dan cari di alur penahan.

### Pemasangan dan memindahkan dustbag (Gbr. C)

- Pasang dustbag (6) melalui outlet ekstraksi debu (2).
- Geser dustbag ke dalam alat dan pastikan bahwa itu berada pada posisi aman.
- Untuk memindahkan dustbag (2), tarik ke belakang dan daristopkontak.

### Perakitan



**Peringatan!** Sebelum perakitan, pastikan bahwa alat dimatikan dan dicabut.

### STEL421 – KONTROL KECEPATAN VARIABEL

Kontrol kecepatan variabel memungkinkan anda untuk beradaptasi dengan kecepatan dari alat tersebut ke peralatan kerja.

- Atur tombol kontrol (5) ke pengaturan yang diinginkan. Gunakan kecepatan tinggi untuk kayu, kecepatan menengah untuk kayu lapis dan bahan sintetis dan kecepatan rendah untuk kaca akrilik, Logam non besi dan untuk menghilangkan cat.

### Menyalakan dan mematikan (gbr. D)

- Dustbag (6) harus dikosongkan setiap 10 menit.
- Tarik dustbag (6) ke belakang dan keluarkan dari alat.
- Tekan ujung nya kebawah dan kocok dustbag (6) untuk mengosongkan isinya.
- Geser dustbag (6) kedalam alat dan pastikan sudah aman ditempatnya.

### Petunjuk untuk penggunaan optimal (gbr. E)

- Selalu pegang alat dengan dua tangan.
- Jangan mengerahkan terlalu banyak tekanan pada alat.
- Secara teratur memeriksa kondisi lembar

pengamplasan. Ganti bila diperlukan.

- Selalu amplas dengan butiran kayu.
- Ketika mengamplas lapisan baru cat sebelum menerapkan lapisan lain, gunakan pasir halus ekstra.
- Pada permukaan yang sangat tidak merata, atau ketika menghilangkan lapisan cat, mulailah dengan grit kasar. Pada permukaan lain, mulailah dengan grit menengah. Dalam kedua kasus, secara bertahap rubah ke pasir halus untuk hasil akhir yang halus.
- Konsultasikan pada pengecer Anda untuk informasi lebih lanjut tentang aksesoris yang tersedia.

### PEMELIHARAAN

Alat Stanley anda telah dirancang untuk beroperasi dalam periode waktu yang lama dengan pemeliharaan yang minim. Pengoperasian berkelanjutan yang memuaskan tergantung pada perawatan alat yang tepat dan pembersihan rutin.

**Peringatan!** Sebelum melakukan perawatan apapun, matikan dan cabut alat.

- Secara teratur bersihkan slot ventilasi dalam perangkat anda menggunakan kuas kering yang halus atau kain kering.
- Secara teratur bersihkan rumah motor menggunakan kain basah yang bersih. Jangan menggunakan bahan kasar atau pembersih berbasis pelarut

### INFORMASI SERVIS

Stanley menawarkan jaringan lengkap milik perusahaan dan lokasi servis resmi di seluruh Asia. Seluruh Pusat Servis Stanley mempunyai staf yang terlatih untuk memberikan servis power tool yang efisien dan dapat dipercaya kepada pelanggan. Apakah anda menginginkan saran teknis, perbaikan, atau penggantian alat yang asli, hubungi lokasi Stanley yang berada di dekat anda.

### CATATAN

- Kebijakan Stanley adalah satu dari peningkatan berkelanjutan akan produk kami dan, dengan demikian, kami berhak untuk mengganti spesifikasi produk tanpa pemberitahuan sebelumnya.
- Standar peralatan dan aksesoris dapat berbeda di setiap negara
- Spesifikasi produk mungkin berbeda setiap negara.
- Rangkaian produk yang komplit mungkin tidak tersedia di setiap negara. Hubungi dealer Stanley lokal anda untuk produk yang tersedia.

**STEL421****เครื่องตัดกระดาดทราย 1/3****ข้อมูลทางเทคนิค**

		STEL421
แรงดันไฟเข้า	โวลต์	220-240
กำลังไฟเข้า	วัตต์	210
การสั้น (ไม่มีโหลด)	ต่อนาที	14,000 - 30,000
อัตราการหมุน (ไม่มีโหลด)	ต่อนาที	7,000 - 15,000
พื้นที่ผิวฐานทราย	มม.	90 x 187
น้ำหนัก	กก.	1.3

**วัตถุประสงค์ในการใช้งาน**

เครื่องตัดกระดาดทราย Stanley ของคุณได้รับการออกแบบมาสำหรับการตัดไม้ โลหะ พลาสติก และพื้นผิวที่มีการทาสี เครื่องมือนี้มีวัตถุประสงค์เพื่อการใช้งานของผู้บริโภคเท่านั้น

**คำแนะนำเพื่อความปลอดภัย****คำเตือนด้านความปลอดภัยสำหรับเครื่องมือไฟฟ้าทั่วไป**

คำเตือน โปรดอ่านคำเตือนและคำแนะนำเพื่อความปลอดภัยทั้งหมด การไม่ปฏิบัติตามคำเตือน และคำแนะนำเหล่านี้ อาจทำให้เกิดไฟดูด เกิดเพลิงไหม้ และ/หรือบาดเจ็บสาหัสได้

โปรดเก็บรักษาคำเตือนและคำแนะนำทั้งหมดนี้ไว้เพื่อการอ้างอิงในอนาคต คำว่า "เครื่องมือไฟฟ้า" ในคำเตือนทั้งหมดที่แสดงไว้ข้างล่าง หมายถึง เครื่องมือไฟฟ้า (แบบมีสาย) ที่ทำงานด้วยแหล่งจ่ายไฟหลัก หรือเครื่องมือไฟฟ้า (แบบไร้สาย) ที่ทำงานด้วยแบตเตอรี่

- ความปลอดภัยในบริเวณที่ทำงาน
- พื้นที่ทำงานจะต้องสะอาดและมีแสงสว่างเพียงพอ บริเวณที่คับแคบหรือมืดทำให้เกิดอุบัติเหตุได้
- ห้ามใช้เครื่องมือไฟฟ้าในบริเวณที่อาจเกิดการระเบิด เช่น ในสถานที่ที่มีของเหลว แก๊ส หรือฝุ่นผงที่มีคุณสมบัติไวไฟ เครื่องมือไฟฟ้าจะทำให้เกิดประกายไฟที่อาจทำให้เกิดละอองไฟหรือเปลวไฟขึ้นได้
- ระวังไม่ให้เด็กเล็กและคนเดินผ่านไปมาเข้าใกล้ในขณะที่ใช้งานเครื่องมือไฟฟ้า สิ่งรบกวนอาจทำให้คุณเสียสมาธิได้
- ความปลอดภัยทางไฟฟ้า
- ปลั๊กไฟของเครื่องต้องเป็นชนิดเดียวกับตัวรับ ห้ามตัดแปลงปลั๊กไม่ว่าจะด้วยวิธีใด ห้ามใช้ปลั๊กอะแดปเตอร์ใดๆ กับเครื่องมือไฟฟ้าที่ต่อสายดิน เดี่ยวกันจะไม่มีการตัดแปลง และแต่รับชนิดเดียวกันจะช่วยลดความเสี่ยงจากการถูกไฟดูด
- หลีกเลี่ยงการสัมผัสพื้นผิวที่ต่อสายดินหรือลงกราวด์ เช่น ท่อ เครื่องทำความร้อน เตาหุงต้ม และตู้เย็น

ความเสี่ยงที่จะถูกไฟดูดจะเพิ่มมากขึ้น หากร่างกายของคุณเป็นสื่อเชื่อมต่อกัน

- อย่าให้เครื่องมือไฟฟ้าถูกฝนหรือเปียกน้ำ น้ำที่เข้าเครื่องมือไฟฟ้าจะทำให้เกิดความเสี่ยงในการถูกไฟดูดเพิ่มขึ้น
  - ห้ามใช้สายไฟผิดวัตถุประสงค์ ห้ามใช้สายไฟเพื่อหิ้ว ดึง หรือถอดปลั๊กเครื่องมือไฟฟ้า เก็บสายไฟให้พ้นจากความร้อน น้ำมัน ของมีคม หรือ ชิ้นส่วนที่กำลังเคลื่อนที่ สายไฟที่ชำรุดหรือพันกันจะเพิ่มความเสี่ยงจากการถูกไฟดูด
  - เมื่อใช้เครื่องมือไฟฟ้าภายนอกอาคาร ให้ใช้สายต่อพ่วงที่เหมาะสมสำหรับการใช้งานนอกอาคาร การใช้สายไฟที่เหมาะสมสำหรับการใช้งานนอกอาคารจะลดความเสี่ยงในการถูกไฟดูด
  - หากไม่สามารถหลีกเลี่ยงการใช้เครื่องมือไฟฟ้าในบริเวณที่ชื้นแฉะได้ ให้ใช้แหล่งจ่ายไฟที่มีการป้องกันด้วยอุปกรณ์ป้องกันไฟดูด (RCD) การใช้ RCD จะเป็นการลดความเสี่ยงจากการถูกไฟดูด
- ความปลอดภัยส่วนบุคคล
  - ตื่นตัวและมีสมาธิกับสิ่งที่คุณกำลังทำ รวมทั้งใช้สามัญสำนึกในขณะที่กำลังใช้งานเครื่องมือไฟฟ้า ห้ามใช้เครื่องมือไฟฟ้าในขณะที่คุณกำลังเหนื่อยหรือได้รับอิทธิพลจากยา แอลกอฮอล์ หรือการรักษาบางอย่าง การขาดความระมัดระวังในการใช้เครื่องมือไฟฟ้าแม้ชั่วขณะหนึ่งอาจทำให้เกิดบาดเจ็บสาหัสได้
  - ใช้อุปกรณ์ป้องกันส่วนบุคคล สวมอุปกรณ์ป้องกันดวงตาเสมอ อุปกรณ์ป้องกัน เช่น หน้ากากกันฝุ่น รองเท้ากันภัยกันลื่น หมวกกันภัย หรืออุปกรณ์ป้องกันเสียงดังสำหรับสภาพที่เหมาะสม จะช่วยลดอาการบาดเจ็บของคุณลงได้
  - ป้องกันเครื่องทำงานโดยไม่ตั้งใจ สวิตช์ต้องอยู่ในตำแหน่งปิดก่อนเสียบปลั๊กของเครื่องเข้ากับแหล่งจ่ายไฟ และ/หรือแบตเตอรี่ หรือก่อนจะยกหรือหัวเครื่องมือ การยกเครื่องมือไฟฟ้าในขณะที่นิ้วอยู่ที่สวิตช์หรือการชาร์จไฟเครื่องมือไฟฟ้าในขณะที่สวิตช์เปิดอยู่ อาจทำให้เกิดอุบัติเหตุได้
  - ถอดกุญแจปรับแต่งหรือประแจออกก่อนเปิดสวิตช์เครื่องมือไฟฟ้า ประแจหรือกุญแจที่เสียบค้างอยู่ในชิ้นส่วนที่หมุนได้ของเครื่องมือไฟฟ้าอาจทำให้ได้รับบาดเจ็บได้
  - ห้ามยืนเขย่งเท้าขณะใช้เครื่อง ขณะใช้เครื่องมือควรยืนให้มั่นคงและมีความสมดุลตลอดเวลา เพื่อช่วยในการควบคุมเครื่องมือไฟฟ้าได้ดียิ่งขึ้นในสถานการณ์ที่ไม่คาดคิด
  - แต่งกายให้เหมาะสม ห้ามสวมเสื้อผ้าหลวมหรือใส่เครื่องประดับ รวบผม ชายเสื้อ และถุงมือให้ห่างจากชิ้นส่วนที่กำลังหมุน เสื้อผ้าที่หลวมหรือยาวรุ่มร่าม



เครื่องประดับ หรือผมที่ยาว อาจเข้าไปพันกับชิ้นส่วนที่กำลังหมุน

ข. หากมีอุปกรณ์สำหรับดูดและเก็บฝุ่น ต้องตรวจสอบให้แน่ใจว่าได้เชื่อมต่อและใช้งานอุปกรณ์นั้นอย่างเหมาะสม การใช้อุปกรณ์เก็บฝุ่นสามารถลดอันตรายที่เกิดจากฝุ่นได้

4. การใช้และการดูแลรักษาเครื่องมือไฟฟ้า

ก. ห้ามพินใช้เครื่องมือไฟฟ้า เลือกใช้เครื่องมือไฟฟ้าที่ถูกต้องตรงกับลักษณะการใช้งานของคุณ เครื่องมือไฟฟ้าที่ถูกต้องยอมทำงานได้ดีกว่าและปลอดภัยกว่าตามขีดความสามารถที่เครื่องมือได้รับการออกแบบมา

ข. ห้ามใช้เครื่องมือไฟฟ้าถ้าสวิตช์เปิดปิดเครื่องมือทำงาน เครื่องมือไฟฟ้าที่ไม่สามารถควบคุมผ่านสวิตช์ได้ ถือว่ามีอันตรายและต้องส่งซ่อม

ค. ถอดปลั๊กของเครื่องมือไฟฟ้าออกจากแหล่งจ่ายไฟและ/หรือชุดแบตเตอรี่ก่อนทำการปรับแต่ง เปลี่ยนอุปกรณ์เสริม หรือจัดเก็บเครื่องมือไฟฟ้า มาตรการเพื่อความปลอดภัยเชิงป้องกันนี้จะช่วยลดความเสี่ยงในการเผลอเปิดเครื่องให้ทำงานโดยไม่ได้ตั้งใจ

ง. เก็บเครื่องมือไฟฟ้าที่ไม่ใช้งานไว้ให้พ้นมือเด็ก และไมอนุญาตให้บุคคลที่ไม่คุ้นเคยกับเครื่องมือไฟฟ้าหรือคำแนะนำเหล่านี้เป็นผู้ใช้เครื่องมือ เครื่องมือไฟฟ้าอาจก่อให้เกิดอันตรายได้หากอยู่ในมือผู้ใช้ที่ไม่มีความชำนาญ

จ. บำรุงรักษาเครื่องมือไฟฟ้า ตรวจสอบหาส่วนที่บิดเบี้ยวและการตัดขีดในส่วนที่เคลื่อนที่ได้ ชิ้นส่วนที่แตกหักและสภาพอื่นๆ ที่อาจส่งผลกระทบต่อการทำงานของเครื่องมือไฟฟ้า หากชำรุดเสียหาย ให้นำเครื่องมือไปส่งซ่อมก่อนนำมาใช้ อุบัติเหตุจำนวนมากเกิดจากการดูแลรักษาเครื่องมือไฟฟ้าไม่พอ

ฉ. เครื่องมือตัดต้องคมและสะอาดอยู่เสมอ เครื่องมือตัดที่ได้รับการดูแลรักษาอย่างถูกต้อง และมีขอบตัดคมจะมีปัญหาตัดน้อย และควบคุมได้ง่ายกว่า

ข. ใช้เครื่องมือไฟฟ้า อุปกรณ์เสริม และดอกสว่านเป็นต้น ตามคำแนะนำสำหรับสิ่งเหล่านี้ โดยพิจารณาถึงสภาพการทำงานและงานที่ทำเป็นสำคัญ การใช้เครื่องมือไฟฟ้าทำงานอื่นนอกเหนือจากที่กำหนดไว้ อาจทำให้เกิดอันตรายได้

5. การบริการ

ก. ให้ช่างซ่อมที่มีความเชี่ยวชาญเป็นผู้ซ่อมเครื่องมือและใช้อะไหล่เท่านั้น ซึ่งจะช่วยรับประกันได้ว่าเครื่องมือไฟฟ้ายังมีความปลอดภัยอยู่

คำเตือนด้านความปลอดภัยเพิ่มเติมสำหรับการใช้เครื่องมือไฟฟ้า



คำเตือน! คำเตือนเพื่อความปลอดภัยเพิ่มเติมสำหรับเครื่องชัตกระดาดทราย

♦ จับเครื่องมือไฟฟ้าตรงพื้นผิวที่มีการหมุน เพราะสายพานขัด / ฐานชัตอาจสัมผัสกับสายไฟของเครื่องเอง การตัดถูกสายไฟที่ “มีไฟฟ้า” อาจทำให้พื้นผิวเปิดที่ทำจากโลหะของเครื่องมือ “มีไฟฟ้าผ่าน” และอาจทำให้ไฟดูดผู้ใช้เครื่องมือได้

♦ ใช้ตัวจับชิ้นงานหรือจับยึดด้วยวิธีอื่นๆ เพื่อยึดและรองชิ้นงานบนแท่นที่มั่นคง การใช้มือจับหรือใช้ลำตัวกดชิ้นงานจะไม่มั่นคงและอาจทำให้สูญเสียการควบคุมได้

♦ คำเตือน! การสัมผัสหรือสูดดมฝุ่นละอองที่เกิดจากการขัดด้วยกระดาษทรายอาจเป็นอันตรายต่อสุขภาพของผู้ใช้เครื่องมือและผู้ที่ใช้เครื่องมือผ่านไปมาได้ ให้สวมหน้ากากกันฝุ่นที่ออกแบบมาเป็นพิเศษสำหรับการป้องกันฝุ่นและควัน และต้องแน่ใจว่าผู้ที่อยู่ภายในพื้นที่ทำงาน หรือกำลังเข้าไปในพื้นที่ทำงานมีการป้องกันด้วยเช่นกัน

♦ ชัดฝุ่นให้ทั่วบริเวณทั้งหมดหลังจากขัดด้วยกระดาษทรายแล้ว

♦ ให้ความระมัดระวังเป็นพิเศษเมื่อขัดสีซึ่งอาจมีส่วนผสมของตะกั่ว หรือเมื่อขัดไม้และโลหะซึ่งอาจก่อให้เกิดฝุ่นพิษได้:

- อย่าให้เด็กหรือสตรีมีครรภ์เข้าไปในพื้นที่ทำงาน
- อย่ารับประทานอาหาร ดื่มน้ำ หรือสูบบุหรี่ในพื้นที่ทำงาน
- กำจัดเศษฝุ่นและเศษอื่นๆ ทั้งอย่างปลอดภัย

♦ เครื่องมือนี้ไม่ได้มีไว้เพื่อการใช้งานโดยบุคคล (ซึ่งรวมถึงผู้เยาว์) ที่มีความบกพร่องทางร่างกายทางการรับรู้สติ หรือความจิตประสาท หรือขาดประสบการณ์และความรู้ เว้นเสียแต่จะได้รับการควบคุมดูแลหรือคำแนะนำการใช้เครื่องมือโดยผู้ที่รับผิดชอบต่อความปลอดภัยของบุคคลเหล่านั้น เด็กควรได้รับการควบคุมดูแลเพื่อให้แน่ใจว่าเด็กจะไม่เล่นเครื่องมือ

♦ วัตถุประสงค์ในการใช้งานได้อธิบายไว้ในคู่มือแนะนำการใช้งานฉบับนี้ การใช้งานอุปกรณ์เสริมหรืออุปกรณ์ต่อพ่วง หรือการใช้งานอื่นใดกับเครื่องมือนี้ นอกเหนือจากที่ได้แนะนำไว้ในคู่มือการใช้งานนี้ อาจทำให้เสี่ยงต่อการบาดเจ็บ และ/หรือความเสียหายต่อทรัพย์สินได้

ความปลอดภัยของบุคคลอื่น

♦ เครื่องมือนี้ไม่ได้มีไว้เพื่อการใช้งานโดยบุคคล (ซึ่งรวมถึงผู้เยาว์) ที่มีความสามารถทางกายภาพ ความสามารถทางการรับรู้ หรือความสามารถทางสมองบกพร่อง หรือบุคคลซึ่งขาดประสบการณ์และความรู้ เว้นเสียแต่จะได้รับการควบคุมดูแลหรือคำแนะนำการใช้งานเครื่องมือจากผู้รับผิดชอบความปลอดภัยของบุคคลเหล่านั้น

♦ เด็กต้องได้รับการดูแลเพื่อให้แน่ใจว่าเด็กจะไม่เล่นเครื่องมือ

ความเสี่ยงที่เหลือนอยู่

ความเสี่ยงที่เหลือนอยู่อาจเกิดขึ้นเมื่อใช้เครื่องมือนี้ และอาจไม่ได้มีอยู่ในคำเตือนเพื่อความปลอดภัยที่กล่าวไว้แล้ว

ความเสี่ยงเหล่านี้สามารถเกิดขึ้นจากการใช้งานอย่างไม่ถูกต้อง การใช้เป็นระยะเวลานาน เป็นต้น แม้จะปฏิบัติตามข้อกำหนดด้านความปลอดภัยที่เกี่ยวข้องและใช้อุปกรณ์รักษา แต่ความเสี่ยงที่เหลืออยู่บางอย่างก็ไม่สามารถหลีกเลี่ยงได้ ความเสี่ยงเหล่านั้นได้แก่:

- ♦ การบาดเจ็บที่เกิดจากการสัมผัสชิ้นส่วนที่กำลังหมุน/เคลื่อนที่
- ♦ การบาดเจ็บที่เกิดขึ้นขณะเปลี่ยนอะไหล่ ไขมีด หรืออุปกรณ์เสริม
- ♦ การบาดเจ็บที่เกิดจากการใช้เครื่องมือเป็นเวลานาน เมื่อใช้เครื่องมือเป็นระยะเวลานาน ต้องแน่ใจว่าคุณได้หยุดพักเป็นระยะ
- ♦ การบดพร่องในการได้ยินเสียง
- ♦ อันตรายต่อสุขภาพที่เกิดจากการสูดดมฝุ่นที่เกิดขึ้นในขณะที่ใช้เครื่องมือ (ตัวอย่าง:- การทำงานไม้ โดยเฉพาะไม้โอ๊ค ไม้บีช และ MDF)

**ป้ายสัญลักษณ์บนอุปกรณ์**

รูปภาพต่อไปนี้จะปรากฏบนเครื่องมือ:



**คำเตือน!** เพื่อลดความเสี่ยงต่อการบาดเจ็บ ผู้ใช้ต้องอ่านคู่มือการใช้งานเล่มนี้

**ความปลอดภัยทางไฟฟ้า**



เครื่องมือนี้มีฉนวนสองชั้น ดังนั้นจึงไม่จำเป็นต้องต่อสายดิน ต้องตรวจสอบแรงดันไฟฟ้าของแหล่งจ่ายไฟให้ตรงกับแรงดันไฟฟ้าบนแผ่นแสดงที่กีดเสมอ

- ♦ ถ้าสายไฟของตัวเครื่องชำรุดเสียหาย ต้องเปลี่ยนโดยผู้ผลิตหรือศูนย์บริการของ Stanley ที่ได้รับอนุญาต เพื่อหลีกเลี่ยงอันตรายที่อาจเกิดขึ้นได้

**การใช้สายต่อพ่วง**

- ♦ ใช้สายต่อพ่วงที่ผ่านการรับรองและเหมาะสมสำหรับกำลังไฟเข้าของเครื่องมือนี้ (ดูข้อมูลด้านเทคนิค) ก่อนใช้งาน ให้ตรวจสอบสายต่อพ่วงเพื่อหาร่องรอยการชำรุดเสียหาย สึกหรือ และหมดอายุการใช้งาน ให้เปลี่ยนสายต่อพ่วงหากพบว่าชำรุดเสียหายหรือไม่สมบูรณ์ เมื่อใช้อุปกรณ์มีวนเก็บสายไฟ ให้คลายสายไฟออกจนหมดก่อน การใช้สายต่อพ่วงที่ไม่เหมาะสมสำหรับกำลังไฟเข้าของเครื่องมือ หรือใช้เครื่องมือที่ชำรุดเสียหายหรือไม่สมบูรณ์ อาจทำให้มีความเสี่ยงต่อการเกิดไฟไหม้และไฟฟ้าดูดได้

**ส่วนประกอบสำคัญ**

เครื่องมือนี้มีส่วนประกอบสำคัญบางส่วนหรือทั้งหมดดังต่อไปนี้

1. สวิตช์เปิด/ปิด
2. ช่องเป่าฝุ่น
3. ฐานขัด
4. คันโยกหนีบกระดาดทราย
5. ปุ่มควบคุมความเร็ว

**การประกอบ**

**คำเตือน!** ก่อนการประกอบ ตรวจสอบให้แน่ใจว่าเครื่องมือปิดสวิตช์ข้อยู่และถอดปลั๊กไฟแล้ว

**การใส่กระดาดทราย (รูป A และ B1 - B3)**

**คำเตือน!** ห้ามใช้เครื่องมือโดยยังไม่ได้ใส่กระดาดทรายหรืออุปกรณ์เสริม

**ยึดกระดาดทรายด้วยวงโนลอน (รูป A)**

- ♦ ตรวจสอบให้แน่ใจว่าเครื่องมือปิดสวิตช์ข้อยู่และถอดปลั๊กไฟแล้ว
- ♦ กดกระดาดทรายให้แน่นและสม่ำเสมอบนฐานขัด (3) ตรวจสอบให้แน่ใจว่ารูในกระดาดทรายตรงกับรูในฐาน

**การใส่กระดาดทรายธรรมดา (รูป B1 - B3)**

- ♦ ตรวจสอบให้แน่ใจว่าเครื่องมือปิดสวิตช์ข้อยู่และถอดปลั๊กไฟแล้ว
- ♦ ทำให้กระดาดขนุมลง โดยการถูด้านที่ไม่หยาบเข้ากับขอบของโต๊ะ
- ♦ กดคันโยกหนีบกระดาดทราย (4) ขึ้น เพื่อปลดคันโยกจากร่องยึด และเปิดตัวหนีบกระดาดทรายโดยการกดลง (รูป B1)
- ♦ วางกระดาดทรายลงบนฐานขัด (3) ตรวจสอบให้แน่ใจว่ารูในกระดาดทรายตรงกับรูในฐาน (รูป B2)
- ♦ สอดขอบของกระดาดทรายเข้าไปในตัวหนีบกระดาดด้านหน้าตามที่แสดง (รูป B3)
- ♦ กดคันโยกของตัวหนีบกระดาดด้านหน้า (4) ลง และใส่คันโยกเข้าไปในร่องยึด
- ♦ ดึงกระดาดให้ตึงเล็กน้อย สอดขอบด้านหลังของกระดาดทรายเข้าไปในตัวหนีบด้านหลัง
- ♦ กดคันโยกของตัวหนีบกระดาดด้านหลัง (4) ลง และเลื่อนเข้าไปในร่องยึด

**การใส่และถอดถุงเก็บฝุ่น (รูป C)**

- ♦ ใส่ถุงเก็บฝุ่น (6) ให้ครอบช่องเป่าฝุ่น (2) ไว้
- ♦ เลือกถุงเก็บฝุ่นไปยังเครื่องมือ และตรวจสอบให้แน่ใจว่าถุงเก็บฝุ่นยึดเข้ากับเครื่องมืออย่างแน่นหนา
- ♦ เมื่อต้องการถอดถุงเก็บฝุ่น ให้ดึงไปทางด้านหลังและให้หลุดออกจากช่องเป่าฝุ่น

**การใช้งาน**

**คำเตือน!** ปล่อยให้เครื่องมือทำงานตามความเร็วของเครื่อง ห้ามใช้งานเกินโหลดที่เหมาะสม

## STEL421 - การควบคุมความเร็ว

การควบคุมความเร็วช่วยให้คุณปรับความเร็วของเครื่องมือให้เหมาะกับวัสดุชิ้นงาน

- ◆ ตั้งปุ่มควบคุม (5) ไปยังค่าที่ต้องการ ใช้ความเร็วสูงสำหรับไม้ ความเร็วปานกลางสำหรับไม้วีเนียร์และไม้สังเคราะห์ และความเร็วต่ำสำหรับแผ่นอะคริลิก โลหะที่ไม่ใช่เหล็ก และสำหรับขัลดอกสล็อต

## การเปิดและปิดสวิตช์ (ภาพ D)

- ◆ เมื่อต้องการเปิดสวิตช์เครื่องมือ ให้กดส่วนด้านหน้าที่มีรูปตัว “I” ของสวิตช์เปิด/ปิด (1)
- ◆ เมื่อต้องการ ปิดสวิตช์เครื่องมือ ให้กดส่วนด้านหน้าที่มีรูปตัว “0” ของสวิตช์เปิด/ปิด

## การเทลงเก็บฝุ่น (รูป C)

ควรเทลงเก็บฝุ่น (6) ทุก 10 นาทีของการใช้งาน

- ◆ ดึงถุงเก็บฝุ่น (6) ไปทางด้านหลังและให้หลุดออกจากเครื่องมือ
- ◆ คร่ำพวยถูกลง และเขย่าถุงเก็บฝุ่น (6) เพื่อให้สิ่งที่อยู่ข้างในออกมาจนหมด
- ◆ เลื่อนถุงเก็บฝุ่น (6) ไปยังเครื่องมือ และตรวจสอบให้แน่ใจว่าถุงเก็บฝุ่นยึดกับเครื่องมืออย่างแน่นหนา

## ข้อแนะนำเพื่อให้การใช้งานเหมาะสมที่สุด (รูป E)

- ◆ จับเครื่องมือด้วยมือทั้งสองข้างเสมอ
- ◆ อย่าใช้แรงกดเครื่องมือมากเกินไป
- ◆ ตรวจสอบสภาพของกระดาษทรายเป็นประจำ และเปลี่ยนใหม่เมื่อจำเป็น
- ◆ ให้ขัดตามลายไม้เสมอ
- ◆ เมื่อจะขัดชิ้นของสีชิ้นใหม่ก่อนจะทาสีอีกชั้น ให้ใช้กระดาษทรายที่มีความละเอียดมากกว่า
- ◆ ในการขัดพื้นผิวที่ไม่สม่ำเสมอ หรือขัดลอกชั้นของสี ให้เริ่มด้วยกระดาษทรายหยาบ ส่วนพื้นผิวแบบอื่น ให้เริ่มด้วยกระดาษทรายปานกลาง ทั้งสองกรณีให้ค่อยๆ เปลี่ยนเป็นกระดาษทรายที่มีความละเอียดเพิ่มขึ้น เพื่อให้ได้ผิวชิ้นงานที่เรียบ
- ◆ สำหรับข้อมูลเพิ่มเติมเกี่ยวกับอุปกรณ์เสริมที่มีจำหน่ายโปรดปรึกษาตัวแทนจำหน่ายของท่าน

## อุปกรณ์เสริม

สมรรถนะของเครื่องมือจะขึ้นกับอุปกรณ์เสริมที่ใช้ อุปกรณ์เสริมของ Stanley และ Piranha ได้รับการออกแบบทางวิศวกรรมให้มีมาตรฐานคุณภาพสูง และเพิ่มสมรรถนะของเครื่องมือของคุณ คุณจึงสามารถใช้อุปกรณ์ได้อย่างมีประสิทธิภาพสูงสุดเมื่อใช้อุปกรณ์เสริมเหล่านี้

## การบำรุงรักษา

เครื่องมือของคุณออกแบบมาเพื่อให้สามารถใช้งานได้ยาวนานต่อเนื่องโดยมีการบำรุงรักษาน้อยที่สุด การทำงานในระดับที่สร้างความพึงพอใจได้อย่างต่อเนื่องจะขึ้นอยู่กับ การดูแลรักษาเครื่องมือที่เหมาะสมและการทำความสะอาดอย่างสม่ำเสมอ

**คำเตือน!** ก่อนทำการบำรุงรักษาเครื่องมือ ให้ปิดสวิตช์และถอดปลั๊กเครื่องมือทุกครั้ง

- ◆ ทำความสะอาดช่องระบายอากาศในเครื่องมือของคุณเป็นประจำโดยใช้แปรงขนอ่อนหรือผ้าแห้ง
- ◆ ทำความสะอาดตัวมอเตอร์เป็นประจำโดยใช้ผ้าชุบน้ำหมาดๆ ห้ามใช้น้ำยาทำความสะอาดที่มีฤทธิ์กัดกร่อนหรือมีส่วนผสมของตัวทำละลาย

## ข้อมูลการบริการ

Stanley ให้บริการเครือข่ายศูนย์บริการของบริษัทเอง และศูนย์ฯ ที่ได้รับการรับรองเต็มรูปแบบทั่วทั้งทวีปเอเชีย ศูนย์บริการ Stanley ทุกแห่งมีพนักงานที่ผ่านการฝึกอบรมเพื่อให้บริการเกี่ยวกับเครื่องมือไฟฟ้าได้อย่างมีประสิทธิภาพ และเชื่อถือได้ ไม่ว่าคุณจะต้องการคำแนะนำด้านเทคนิค การซ่อมแซม หรืออะไหล่ที่แจกโรงงาน โปรดติดต่อศูนย์ Stanley ใกล้บ้านคุณ

## หมายเหตุ

- ◆ เนื่องจาก Stanley มินิโยบายพัฒนาปรับปรุงผลิตภัณฑ์อย่างต่อเนื่อง ดังนั้น เราจึงขอสงวนสิทธิ์ในการเปลี่ยนแปลงข้อมูลจำเพาะของผลิตภัณฑ์โดยไม่แจ้งให้ทราบล่วงหน้า
- ◆ อุปกรณ์มาตรฐานและอุปกรณ์เสริมอาจแตกต่างกันในแต่ละประเทศ
- ◆ ข้อมูลจำเพาะของผลิตภัณฑ์อาจแตกต่างกันในแต่ละประเทศ
- ◆ ตัวเลือกผลิตภัณฑ์อาจมีจำหน่ายไม่ครบทุกรายการในบางประเทศ โปรดสอบถามตัวเลือกผลิตภัณฑ์จากตัวแทนจำหน่ายของ Stanley ในประเทศของคุณ

## Máy chà nhám STEL421 1/3

### Thông số kỹ thuật

		STEL421
Điện áp đầu vào	V <sub>Ac</sub>	220-240
Công suất đầu vào	W	210
Số dao động (không tải)	phút <sup>-1</sup>	14,000 - 30,000
Số vòng (không tải)	phút <sup>-1</sup>	7,000 - 15,000
Kích thước đế	mm	90 x 187
Trọng lượng	kg	1.3

### Mục đích sử dụng

Máy chà nhám Stanley được thiết kế để chà gỗ, kim loại, nhựa và các bề mặt sơn. Dụng cụ này chỉ được thiết kế phục vụ người tiêu dùng.

### Hướng dẫn an toàn

#### Cảnh báo chung về an toàn các dụng cụ điện cầm tay



**Cảnh báo! Hãy đọc tất cả các cảnh báo và hướng dẫn về an toàn.** Việc không tuân theo các cảnh báo và hướng dẫn được liệt kê dưới đây có thể gây giật điện, cháy nổ và/hoặc chấn thương nghiêm trọng.

**Giữ lại tất cả các cảnh báo và hướng dẫn để tham khảo về sau.** Thuật ngữ "dụng cụ điện cầm tay" trong phần cảnh báo chỉ dụng cụ chạy bằng điện nguồn (có dây điện) hoặc dụng cụ chạy bằng pin (không có dây điện).

#### 1. An toàn tại nơi làm việc

- Giữ cho nơi làm việc luôn sạch sẽ và đủ ánh sáng.** Những khu vực bừa bộn hoặc thiếu ánh sáng dễ gây tai nạn.
- Không vận hành dụng cụ điện cầm tay trong các môi trường dễ cháy nổ, như các môi trường có chất lỏng, khí hoặc bụi dễ cháy.** Dụng cụ điện cầm tay tạo ra các tia lửa điện có thể gây cháy bụi hoặc bốc khói.
- Không cho trẻ em và những người không liên quan lại gần khi đang vận hành dụng cụ điện cầm tay.** Những lúc xao lãng có thể khiến bạn mất kiểm soát.

#### 2. An toàn điện

- Phích cắm của dụng cụ điện cầm tay phải vừa với ổ cắm.** Không được sửa đổi phích cắm dưới bất kỳ hình thức nào. Không được sử dụng các phích cắm tiếp hợp với những dụng cụ điện cầm tay có nối đất. Phích cắm nguyên gốc và ổ cắm phù hợp sẽ giảm nguy cơ bị điện giật.
- Tránh tiếp xúc với các bề mặt được nối đất như đường ống, lò sưởi, bể nước và tủ lạnh.** Nguy cơ bị điện giật sẽ cao hơn nếu cơ thể bạn nối đất.
- Không được để các dụng cụ điện cầm tay ngoài trời mưa hoặc ở nơi ẩm ướt.** Nước vào trong dụng cụ điện cầm tay sẽ làm tăng nguy cơ bị điện giật.

- Không sử dụng dây điện vào các mục đích khác.** Tuyệt đối không sử dụng dây điện để mang, kéo hoặc rút phích cắm dụng cụ điện cầm tay. Để dây điện cách xa nguồn nhiệt, dầu mỡ, các cạnh sắc hoặc các bộ phận chuyển động. Dây điện bị hỏng hoặc bị vướng sẽ làm tăng nguy cơ bị điện giật.
- Khi vận hành dụng cụ điện cầm tay ngoài trời, hãy sử dụng dây nối đất phù hợp để sử dụng ngoài trời.** Sử dụng dây điện phù hợp để sử dụng ngoài trời sẽ giảm nguy cơ bị điện giật.
- Nếu bắt buộc phải vận hành dụng cụ điện cầm tay ở nơi ẩm ướt, hãy sử dụng nguồn được bảo vệ bởi thiết bị ngắt mạch tự động (RCD).** Sử dụng RCD giúp giảm nguy cơ bị điện giật.

#### 3. An toàn cá nhân

- Hãy tập trung, chú ý vào những gì bạn đang làm và tinh táo khi vận hành dụng cụ điện cầm tay.** Không được sử dụng dụng cụ điện cầm tay khi bạn đang mệt hoặc uống rượu bia, sử dụng ma túy hoặc chất kích thích. Một khoảnh khắc mất tập trung trong khi vận hành dụng cụ điện cầm tay có thể dẫn đến chấn thương cá nhân nghiêm trọng.
  - Sử dụng các thiết bị bảo hộ cá nhân.** Luôn đeo kính bảo hộ. Thiết bị bảo hộ như mặt nạ chống bụi, giày chống trượt, mũ cứng, hoặc bảo vệ tai nếu được sử dụng ở những điều kiện phù hợp sẽ giảm các chấn thương cá nhân.
  - Tránh bật máy không chủ định. Đảm bảo rằng công tắc ở vị trí tắt trước khi nối với nguồn điện và/hoặc pin, khi cầm hoặc mang dụng cụ.** Có thể xảy ra tai nạn nếu đặt ngón tay trên công tắc khi đang cầm dụng cụ điện cầm tay hoặc công tắc của dụng cụ điện cầm tay đang bật khi sạc pin.
  - Hãy tháo hết khóa điều chỉnh hoặc cờ lê trước khi bắt dụng cụ điện cầm tay.** Cờ lê hoặc khóa vẫn để ở bộ phận đang quay của dụng cụ điện cầm tay có thể dẫn đến chấn thương cá nhân.
  - Không được vội tay. Hãy đứng ở tư thế thích hợp và luôn giữ thăng bằng.** Điều đó giúp kiểm soát dụng cụ điện cầm tay tốt hơn khi gặp các tình huống không lường trước được.
  - Mặc quần áo phù hợp. Không mặc quần áo rộng hoặc đeo đồ trang sức. Giữ cho tóc, quần áo và găng tay tránh xa khỏi các bộ phận chuyển động.** Quần áo rộng, đồ trang sức hoặc tóc dài có thể bị mắc vào các bộ phận chuyển động.
  - Nếu các dụng cụ được cung cấp để nối các phương tiện hút hoặc gom bụi, hãy đảm bảo những dụng cụ này được nối và sử dụng đúng cách.** Sử dụng thiết bị gom bụi có thể giảm các nguy cơ liên quan đến bụi.
- #### 4. Sử dụng và bảo quản dụng cụ điện cầm tay
- Sử dụng dụng cụ điện cầm tay phù hợp.** Sử dụng dụng cụ điện cầm tay phù hợp cho ứng dụng của bạn. Dụng cụ điện cầm tay phù hợp sẽ giúp cho công việc tốt hơn và an toàn hơn theo đúng tốc độ được thiết kế.
  - Không sử dụng dụng cụ điện cầm tay nếu công tắc không bật và tắt được.** Những dụng cụ điện cầm tay không điều khiển được bằng công tắc đều rất nguy hiểm và cần phải được sửa chữa.

- c. **Rút phích cắm dụng cụ điện cầm tay khỏi nguồn điện và/hoặc pin trước khi thực hiện điều chỉnh, thay phụ kiện hoặc cất giữ dụng cụ.** Các biện pháp an toàn phòng ngừa này giúp giảm nguy cơ khởi động dụng cụ điện cầm tay một cách tình cờ.
- d. **Bảo quản các dụng cụ điện cầm tay không sử dụng tránh xa tầm tay trẻ em và không cho phép những người không quen với dụng cụ điện cầm tay hoặc những hướng dẫn này vận hành dụng cụ điện cầm tay.** Dụng cụ điện cầm tay sẽ rất nguy hiểm khi được những người chưa được huấn luyện sử dụng.
- e. **Bảo trì dụng cụ điện cầm tay. Kiểm tra các bộ phận di chuyển xem có bị lắp lệch hoặc kẹt không, các bộ phận có bị vỡ không và bất kỳ tình trạng nào khác có thể ảnh hưởng đến việc vận hành dụng cụ.** Nếu dụng cụ điện cầm tay bị hỏng, hãy sửa chữa trước khi sử dụng. Rất nhiều tai nạn xảy ra do công tác bảo trì các dụng cụ điện cầm tay kém.
- f. **Đảm bảo các dụng cụ cắt luôn sắc và sạch sẽ.** Các dụng cụ cắt được bảo trì đúng cách với các cạnh cắt sắc sẽ ít bị kẹt hơn và dễ điều khiển hơn.
- g. **Sử dụng dụng cụ điện cầm tay, các phụ kiện và mũi khoan... theo các chỉ dẫn này, chú ý đến điều kiện làm việc và công việc cần thực hiện.** Sử dụng dụng cụ điện cầm tay sai mục đích có thể gây nguy hiểm.
5. **Bảo dưỡng**
- a. **Hãy mang dụng cụ điện cầm tay đi bảo dưỡng bởi nhân viên bảo dưỡng có chuyên môn, chỉ sử dụng các phụ kiện thay thế chính hãng.** Điều này giúp duy trì mức độ an toàn của dụng cụ điện cầm tay.

### Cảnh báo khác về an toàn dụng cụ điện cầm tay



**Cảnh báo!** Các hướng dẫn an toàn khác cho máy chà nhám

- ◆ **Chỉ cầm dụng cụ điện cầm tay ở phần bề mặt tay cầm cách điện, vì đai nhám có thể chạm vào dây điện của chính dụng cụ.** Tiếp xúc với dây điện "có điện" có thể truyền điện cho các bộ phận kim loại hở của dụng cụ điện cầm tay và có thể khiến người vận hành bị điện giật.
- ◆ **Dùng kẹp hay áp dụng một biện pháp thực tế khác nhằm bảo đảm và cố định phôi gia công trên bàn máy.** Giữ phôi bằng tay hay dựa vào người bạn đều làm cho phôi không vững và có thể dẫn tới mất kiểm soát.
- ◆ **Cảnh báo!** Tiếp xúc hoặc hít phải bụi sinh ra trong quá trình chà nhám có thể gây nguy hiểm tới sức khỏe của người vận hành và những người xung quanh. Hãy đeo mặt nạ chống bụi được thiết kế riêng để chống bụi và khói và phải đảm bảo rằng những cá nhân trong khu vực làm việc đều được bảo vệ.
- ◆ **Phủi toàn bộ bụi sau khi chà nhám đi.**

- ◆ **Đặc biệt chú ý khi chà nhám sơn chứa chì hoặc khi chà nhám một số loại gỗ và kim loại có thể sinh ra bụi độc:**
  - Không cho trẻ em hoặc phụ nữ mang thai vào khu vực làm việc.
  - Không được ăn, uống hoặc hút thuốc trong khu vực làm việc.
  - Thái bỏ bụi và các mảnh vụn khác ở nơi an toàn.
- ◆ **Không cho phép những cá nhân (bao gồm cả trẻ em) bị suy giảm năng lực thể chất, trí tuệ hoặc cảm giác, hay người thiếu kinh nghiệm và kiến thức sử dụng dụng cụ điện cầm tay này, trừ khi có sự giám sát hoặc hướng dẫn của người chịu trách nhiệm về vấn đề an toàn của những cá nhân này. Phải giám sát để đảm bảo trẻ không nghịch các thiết bị này.**
- ◆ **Mục đích sử dụng được mô tả trong tài liệu hướng dẫn này. Việc sử dụng bất kỳ phụ kiện hay đồ gá hoặc thực hiện vận hành dụng cụ này ngoài các mục đích sử dụng khuyến nghị trong tài liệu hướng dẫn này có thể dẫn đến nguy cơ chấn thương cá nhân và/hoặc hư hỏng tài sản.**

### An toàn cho người khác

- ◆ **Không cho phép những cá nhân (bao gồm cả trẻ em) bị suy giảm năng lực thể chất, trí tuệ hoặc cảm giác, hay người thiếu kinh nghiệm và kiến thức sử dụng dụng cụ điện cầm tay này, trừ khi có sự giám sát hoặc hướng dẫn của người chịu trách nhiệm về vấn đề an toàn của những cá nhân này.**
- ◆ **Phải giám sát để đảm bảo trẻ không nghịch các thiết bị này.**

### Các nguy cơ còn lại.

Các nguy cơ còn lại khác có thể phát sinh khi sử dụng dụng cụ không nằm trong các cảnh báo an toàn đính kèm. Những nguy cơ này có thể phát sinh từ việc sử dụng sai mục đích, sử dụng trong thời gian dài,... Kể cả việc áp dụng các quy tắc an toàn liên quan và dùng các thiết bị an toàn cũng không thể tránh được một số nguy cơ còn lại. Những nguy cơ này gồm:

- ◆ **Chấn thương do chạm vào bất kỳ bộ phận đang quay/chuyển động nào.**
- ◆ **Chấn thương do thay đổi bất kỳ bộ phận, lưỡi dao hay phụ kiện nào**
- ◆ **Chấn thương do sử dụng dụng cụ trong thời gian dài. Khi sử dụng bất kỳ một dụng cụ nào trong khoảng thời gian dài, bạn phải đảm bảo nghỉ giải lao thường xuyên.**
- ◆ **Suy giảm thính lực.**
- ◆ **Các mối nguy hại cho sức khỏe do hít phải nhiều bụi khi sử dụng dụng cụ (chẳng hạn:- làm việc với gỗ, đặc biệt là gỗ sồi, gỗ dẻ gai và gỗ ép.)**

## Ký hiệu trên máy

Trên dụng cụ có các biểu tượng sau:



**Cảnh báo!** Để giảm nguy cơ chấn thương, người sử dụng phải đọc sổ tay hướng dẫn.

## An toàn điện



Do dụng cụ này được cách điện kép nên không cần dây nối đất #. Luôn kiểm tra xem nguồn điện có tương ứng với điện thế trên biển thông số định mức hay không.

- ◆ Nếu dây nguồn bị hỏng, dây nguồn phải được thay bởi nhà sản xuất hoặc Trung tâm Bảo hành được ủy quyền của Stanley để tránh gây nguy hiểm.

## Sử dụng cáp nối dài

- ◆ Luôn sử dụng cáp nối dài đã phê duyệt phù hợp với công suất đầu vào của dụng cụ này (xem phần thông số kỹ thuật). Trước khi sử dụng, hãy kiểm tra cáp nối dài xem có dấu hiệu hỏng hóc, mòn hay xuống cấp không. Thay cáp nối dài nếu bị hỏng hoặc có khuyết tật. Khi sử dụng trực quán cáp, luôn duỗi thẳng hết cáp. Sử dụng cáp nối dài không phù hợp với công suất đầu vào của dụng cụ hoặc cáp nối bị hỏng hay có khuyết tật có thể dẫn tới nguy cơ cháy nổ và giật điện.

## Tính năng

Dụng cụ này có một số hoặc tất cả những tính năng sau.

1. Công tắc bật/tắt
2. Cửa xả bụi
3. Đai nhám
4. Cần kẹp giấy nhám
5. Núm điều chỉnh tốc độ

## Lắp ráp

**Cảnh báo!** Trước khi lắp ráp, đảm bảo đã tắt và rút phích nguồn của dụng cụ.

### Lắp giấy nhám (hình A & B1 - B3)

**Cảnh báo!** Tuyệt đối không sử dụng dụng cụ mà không có giấy nhám hoặc phụ kiện phù hợp.

### Lắp giấy nhám không cần cần kẹp A)

- ◆ Đảm bảo đã tắt và rút phích nguồn của dụng cụ.
- ◆ Ấn mạnh và đều giấy nhám lên đai nhám (3), đảm bảo rằng các lỗ trên giấy nhám khớp với các lỗ của đai.

### Lắp giấy nhám thông thường (hình B1 - B3)

- ◆ Đảm bảo đã tắt và rút phích nguồn của dụng cụ.
- ◆ Làm mềm giấy nhám bằng cách cọ xát mặt không mòn của giấy lên cạnh của mặt bàn.

- ◆ Ấn cần kẹp giấy nhám (4) lên trên để nhả cần ra khỏi khe giữ và mở kẹp giấy bằng cách ấn xuống (hình B1).
- ◆ Đặt giấy nhám lên đai nhám (3), đảm bảo rằng các lỗ trên giấy nhám khớp với các lỗ của đai (hình B2).
- ◆ Đặt cạnh của giấy nhám vào kẹp giấy phía trước như trong hình vẽ (hình B3).
- ◆ Ấn cần kẹp giấy phía trước (4) xuống dưới và đặt vào khe giữ.
- ◆ Vừa căng nhẹ tờ giấy nhám vừa đặt cạnh sau của giấy vào kẹp giấy phía sau.
- ◆ Ấn cần kẹp giấy phía sau (4) xuống dưới và đặt vào khe giữ.

## Lắp và tháo túi chứa bụi (hình C)

- ◆ Lắp túi chứa bụi (6) vào cửa xả bụi (2).
- ◆ Trượt túi chứa bụi lên dụng cụ và đảm bảo túi được lắp chắc chắn.
- ◆ Để tháo túi chứa bụi, hãy kéo túi về phía sau và ra khỏi cửa xả bụi.

## Sử dụng

**Cảnh báo!** Đảm bảo dụng cụ làm việc ở tốc độ cho phép của dụng cụ. Không được chạy quá tải.

## STEL421 - Chức năng điều tốc

Chức năng điều tốc cho phép bạn điều chỉnh tốc độ của dụng cụ cho phù hợp với vật liệu gia công.

- ◆ Thiết lập núm điều tốc (5) ở vị trí mong muốn. Sử dụng tốc độ cao đối với gỗ, tốc độ trung bình đối với gỗ dán và vật liệu tổng hợp và tốc độ thấp đối với thủy tinh acrylic, phi kim và khi chà bỏ sơn.

## Bật và Tắt (hình D)

- ◆ Để bật dụng cụ lên, ấn phần I phía trước của công tắc bật/tắt (1).
- ◆ Để tắt dụng cụ đi, ấn phần O phía sau của công tắc bật/tắt.

## Đốc hết túi chứa bụi ra (hình C)

Nên đốc túi chứa bụi (6) ra cứ 10 phút một lần.

- ◆ Kéo túi chứa bụi (6) về phía sau và ra khỏi dụng cụ.
- ◆ Đốc ngược miệng túi xuống và lắc túi chứa bụi (6) để đốc bụi ở trong ra.
- ◆ Trượt túi chứa bụi (6) lên dụng cụ và đảm bảo túi được lắp chắc chắn.

## Gợi ý để sử dụng tối ưu (hình E)

- ◆ Luôn cầm chắc dụng cụ bằng cả hai tay.
- ◆ Không tác dụng lực quá mạnh lên dụng cụ.
- ◆ Thường xuyên kiểm tra tình trạng giấy nhám. Thay thế khi cần thiết.

- ◆ Luôn chà theo thứ gỗ.
- ◆ Khi chà một lớp sơn mới trước khi phủ một lớp khác, hãy sử dụng thêm tấm chà mịn.
- ◆ Trên các bề mặt không bằng phẳng, hoặc khi chà các lớp sơn đi, ban đầu hãy sử dụng một tấm chà thô. Trên các bề mặt khác, hãy sử dụng tấm chà trung bình. Trong cả hai trường hợp, hãy từ từ thay đổi sang dùng tấm chà mịn để hoàn thiện cho nhẵn.
- ◆ Hỏi nhà bán lẻ để biết thêm thông tin chi tiết về các phụ kiện được cung cấp.

## Các phụ kiện

Hiệu suất làm việc của dụng cụ tùy thuộc vào phụ kiện được sử dụng. Phụ kiện của Stanley được chế tạo theo tiêu chuẩn chất lượng cao và được thiết kế nhằm tăng cường hiệu suất làm việc cho dụng cụ của bạn. Dụng cụ của bạn sẽ phát huy tối đa hiệu quả làm việc khi sử dụng các phụ kiện này.

## Bảo trì

Dụng cụ này được thiết kế để vận hành trong thời gian dài và ít phải bảo trì nhất. Dụng cụ vận hành liên tục theo ý muốn tùy thuộc vào việc bảo quản dụng cụ đúng cách và vệ sinh thường xuyên.

**Cảnh báo!** Trước khi tiến hành bảo dưỡng, hãy tắt và rút phích cắm ra khỏi dụng cụ.

- ◆ Thường xuyên lau chùi các khe thông gió trong dụng cụ bằng chổi mềm hoặc khăn khô.
- ◆ Thường xuyên lau chùi vỏ động cơ bằng khăn ẩm. Không dùng chất tẩy rửa có chứa dung môi hay chất mài mòn.

## Thông tin Dịch vụ

Stanley có sẵn một mạng lưới các trung tâm trực thuộc và ủy quyền trên khắp Châu Á. Tất cả các trung tâm dịch vụ của Stanley đều có đội ngũ nhân viên lành nghề để cung cấp tới khách hàng dịch vụ hiệu quả và đáng tin cậy. Khi cần tư vấn kỹ thuật, sửa chữa hoặc cần phụ kiện thay thế chính hãng, hãy liên hệ với trụ sở Stanley nơi gần nhất.

## Lưu ý

- Chính sách của Stanley là không ngừng cải thiện sản phẩm và chúng tôi bảo lưu quyền thay đổi chi tiết kỹ thuật sản phẩm mà không báo trước.
- Tiêu chuẩn thiết bị và phụ kiện có thể thay đổi ở các quốc gia khác nhau.
- Thông số kỹ thuật sản phẩm có thể thay đổi ở các quốc gia khác nhau.
- Chúng loại sản phẩm hoàn chỉnh có thể không có mặt tại tất cả các quốc gia. Liên hệ với các đại lý của Stanley tại quốc gia bạn để được cung cấp chúng loại sản phẩm.

