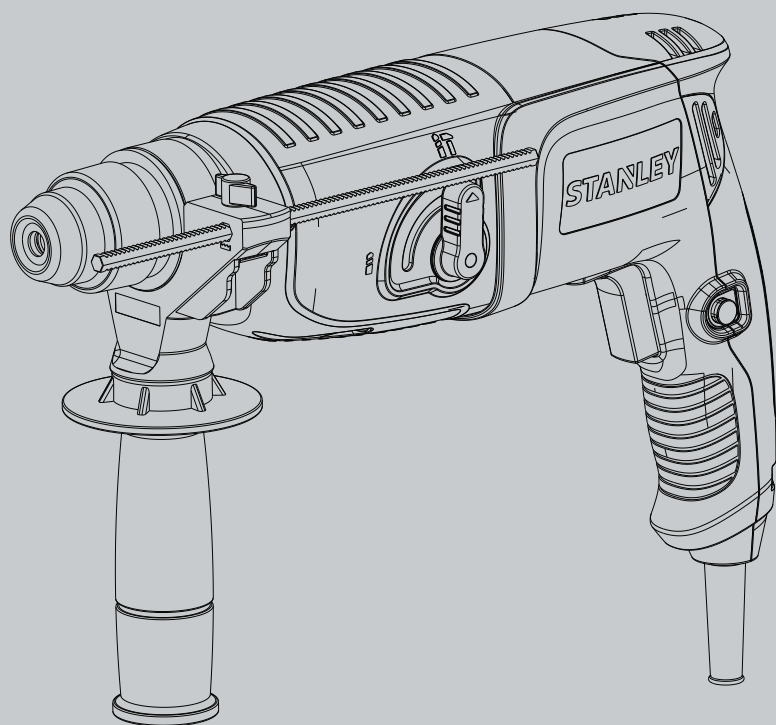
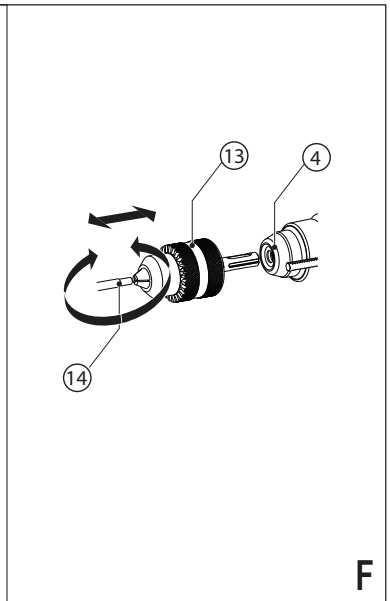
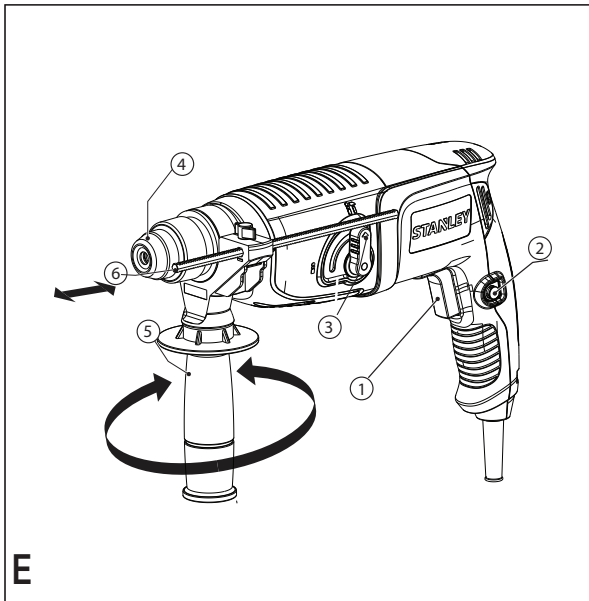
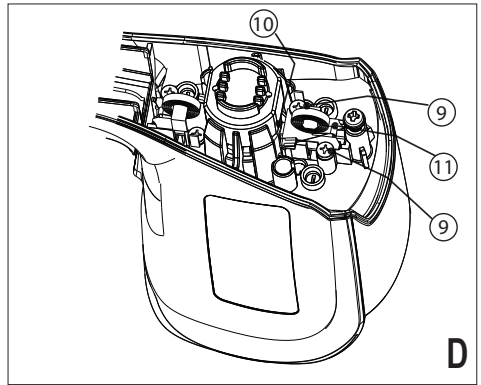
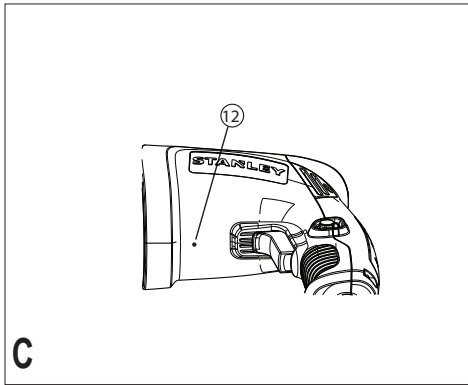
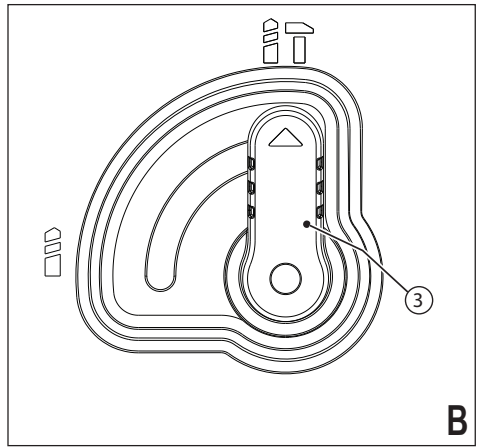
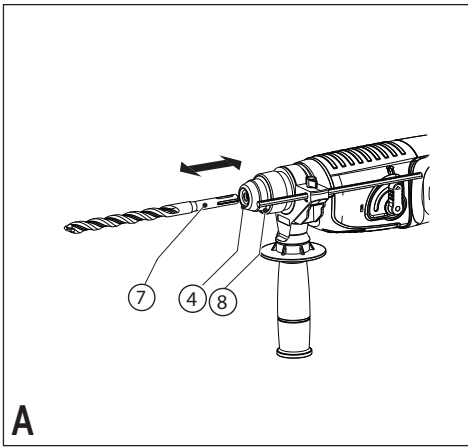


STANLEY



STHR202

English (Original Instruction)	3
繁體中文	8
한국어	13
BAHASA INDONESIA	18
ภาษาไทย	23
TIẾNG VIỆT	30



* The picture above may differ slightly to actual unit.

STHR202

Rotary hammer

Technical data

Rotary hammer		STHR202			
		-B1	-XD	-TW	-KR
Voltage	V	220-240	220-240	110	220
Frequency	Hz	50/60	50/60	60	60
Power input	W	620			
No-load speed	/min	0-1250			
Impact rate	BPM	0-3900			
Impact energy	J	1.34			
Modes		2			
Max drilling capacity	mm				
- Concrete		20			
- Steel		13			
- Wood		25			
Weight	kg	2.6			

Intended use

Your Stanley SDS plus rotary hammer is intended to drill holes in concrete, bricks, wood, and steel.

Safety instructions

General Power Tool Safety Warnings



WARNING! Read all safety warnings and all instructions. Failure to follow the warnings and instructions may result in electric shock, fire and/or serious injury.

Save all warnings and instructions for future reference.

The term “power tool” in the warnings refers to your mains-operated (corded) power tool or battery-operated (cordless) power tool.

1. Work area safety

- Keep work area clean and well lit.** Cluttered or dark areas invite accidents.
- Do not operate power tools in explosive atmospheres, such as in the presence of flammable liquids, gases or dust.** Power tools create sparks which may ignite the dust or fumes.

- Keep children and bystanders away while operating a power tool.** Distractions can cause you to lose control.

2. Electrical safety

- Power tool plugs must match the outlet. Never modify the plug in any way. Do not use any adapter plugs with earthed (grounded) power tools.** Unmodified plugs and matching outlets will reduce risk of electric shock.
- Avoid body contact with earthed or grounded surfaces, such as pipes, radiators, ranges and refrigerators.** There is an increased risk of electric shock if your body is earthed or grounded.
- Do not expose power tools to rain or wet conditions.** Water entering a power tool will increase the risk of electric shock.
- Do not abuse the cord. Never use the cord for carrying, pulling or unplugging the power tool. Keep cord away from heat, oil, sharp edges or moving parts.** Damaged or entangled cords increase the risk of electric shock.
- When operating a power tool outdoors, use an extension cord suitable for outdoor use.** Use of a cord suitable for outdoor use reduces the risk of electric shock.
- If operating a power tool in a damp location is unavoidable, use a residual current device (RCD) protected supply.** Use of an RCD reduces the risk of electric shock. NOTE: The term “residual current device (RCD)” may be replaced by the term “ground fault circuit interrupter (GFCI)” or “earth leakage circuit breaker (ELCB)”.

3. Personal safety

- Stay alert, watch what you are doing and use common sense when operating a power tool. Do not use a power tool while you are tired or under the influence of drugs, alcohol or medication.** A moment of inattention while operating power tools may result in serious personal injury.
- Use personal protective equipment. Always wear eye protection.** Protective equipment such as dust mask, non-skid safety shoes, hard hat, or hearing protection used for appropriate conditions will reduce personal injuries.
- Prevent unintentional starting. Ensure the switch is in the off-position before connecting to power source and/or battery pack, picking up or carrying the tool.** Carrying power tools with your finger on the switch or energising power tools that have the switch on invites accidents.
- Remove any adjusting key or wrench before turning the power tool on.** A wrench or a key left attached to a rotating part of the power tool may result in personal injury.
- Do not overreach. Keep proper footing and balance at all times.** This enables better control of the power tool in unexpected situations.
- Dress properly. Do not wear loose clothing or jewellery. Keep your hair, clothing and gloves away from moving parts.** Loose clothes, jewellery or long hair can be caught

in moving parts.

- g. **If devices are provided for the connection of dust extraction and collection facilities, ensure these are connected and properly used.** Use of dust collection can reduce dust-related hazards.

4. Power tool use and care

- a. **Do not force the power tool. Use the correct power tool for your application.** The correct power tool will do the job better and safer at the rate for which it was designed.
- b. **Do not use the power tool if the switch does not turn it on and off.** Any power tool that cannot be controlled with the switch is dangerous and must be repaired.
- c. **Disconnect the plug from the power source and/or the battery pack from the power tool before making any adjustments, changing accessories, or storing power tools.** Such preventive safety measures reduce the risk of starting the power tool accidentally.
- d. **Store idle power tools out of the reach of children and do not allow persons unfamiliar with the power tool or these instructions to operate the power tool.** Power tools are dangerous in the hands of untrained users.
- e. **Maintain power tools. Check for misalignment or binding of moving parts, breakage of parts and any other condition that may affect the power tool's operation. If damaged, have the power tool repaired before use.** Many accidents are caused by poorly maintained power tools.
- f. **Keep cutting tools sharp and clean.** Properly maintained cutting tools with sharp cutting edges are less likely to bind and are easier to control.
- g. **Use the power tool, accessories and tool bits etc. in accordance with these instructions, taking into account the working conditions and the work to be performed.** Use of the power tool for operations different from those intended could result in a hazardous situation.

5. Service

- a. **Have your power tool serviced by a qualified repair person using only identical replacement parts.** This will ensure that the safety of the power tool is maintained.

- * **Note:** Mains voltage: When connecting to the mains, it is imperative to verify if the voltage of the mains matches that of the power tool. If the mains voltage exceeds the voltage indicated on the power tool, the user may become severely injured in an accident, and the tool may be damaged. On the contrary, if the mains voltage is lower than the voltage required by the tool, the motor may be damaged as a result. Thus, if it is not possible to verify the voltage, it is imperative not to plug in to the power source.

Hammer safety warnings

- ◆ **Wear ear protectors.** Exposure to noise can cause hearing loss.
- ◆ **Use auxiliary handle(s), if supplied with the tool.** Loss of control can cause personal injury.
- ◆ **Hold power tool by insulated gripping surfaces, when performing an operation where the cutting accessory may contact hidden wiring or its own cord.** Cutting accessory contacting a "live" wire may make exposed metal parts of the power tool "live" and could give the operator an electric shock.
- ◆ Never use a chisel accessory in rotary mode. The accessory will bind in the material and rotate the drill.
- ◆ Use clamps or another practical way to secure and support the workpiece to a stable platform. Holding the work by hand or against your body leaves it unstable and may lead to loss of control.
- ◆ Before drilling into walls, floors or ceilings, check for the location of wiring and pipes.
- ◆ Avoid touching the tip of the drill bit after drilling so as to avoid scalding.
- ◆ The intended use is described in this instruction manual. The use of any accessory or attachment or performance of any operation with this tool other than those recommended in this instruction manual may present a risk of personal injury and/or damage to property.

Safety of others

- ◆ This appliance is not intended for use by persons (including children) with reduced physical, sensory or mental capabilities, or lack of experience and knowledge, unless they have been given supervision or instruction concerning use of the appliance by a person responsible for their safety.
- ◆ Children should be supervised to ensure that they do not play with the appliance.

Other risks

Additional residual risks may arise when using the tool which may not be included in the enclosed safety warnings. These risks can arise from misuse, prolonged use etc. In spite of the application of the relevant safety regulations and the implementation of safety devices, certain risks cannot be avoided. These are:

- ◆ Injuries caused by touching any rotating/moving parts.
- ◆ Injuries caused when changing any parts, blades or accessories.
- ◆ Injuries caused by prolonged use of a tool. When using any tool for prolonged periods ensure you take regular breaks.
- ◆ Impairment of hearing.
- ◆ Health hazards caused by breathing dust developed when using your tool (example:- working with wood, especially oak, beech and MDF.)

Labels on tool

The following symbols are shown on the tool:



WARNING! To reduce the risk of injury, the user must read the instruction manual.

Position of Date Barcode (Fig. C)

The Date Code (12), which also includes the year of manufacture, is printed into the housing.

Example:

2014 XX JN
Year of manufacturing

Electrical Safety



Your tool is double insulated; therefore no earth wire is required. Be sure to check that the power supply corresponds to the voltage on the rating plate. Corresponds.

- ◆ If the supply cord is damaged, it must be replaced by the manufacturer or an authorised Black and Decker Service Centre in order to avoid a hazard.

Using an Extension Cable

If it is necessary to use an extension cable, please use an approved extension cable that fits the tool's power input specifications (please refer to the technical data). The minimum cross-sectional area of the conducting wire is 1.5 sq. mm. Cables should be untangled before reeling up.

Please refer to the following table.

Cable cross-sectional area (mm ²)		Cable rated current (Ampere)					
0.75		6					
1.00		10					
1.50		15					
2.50		20					
4.00		25					
		Cable length (m)					
		7.5	15	25	30	45	60
Voltage	Amperes	Cable rated current (Ampere)					
115	0 - 2.0	6	6	6	6	6	10
	2.1 - 3.4	6	6	6	6	15	15
	3.5 - 5.0	6	6	10	15	20	20
	5.1 - 7.0	10	10	15	20	20	25
	7.1 - 12.0	15	15	20	25	25	-
230	12.1 - 20.0	20	20	25	-	-	-
	0 - 2.0	6	6	6	6	6	6
	2.1 - 3.4	6	6	6	6	6	6
	3.5 - 5.0	6	6	6	6	10	15
	5.1 - 7.0	10	10	10	10	15	15
7.1 - 12.0	15	15	15	15	20	20	
12.1 - 20.0	20	20	20	20	25	-	

Features (Fig. E)

This tool includes some or all of the following features.

1. Variable speed switch
2. Lock-on button
3. Mode selector
4. Tool clamp
5. Side handle
6. Depth stop

Assembly

WARNING! Before assembly, make sure that the tool is switched off and unplugged.

Attaching the Side Handle (fig. E)

WARNING! When drilling holes in concrete or bricks, please use the side handle for your safety.

- ◆ Turn the grip counterclockwise until you can slide the side handle onto the front of the tool.
- ◆ Rotate the side handle into the desired position.
- ◆ Tighten the side handle by turning the grip clockwise.

WARNING! When using the tool, remember to install the side handles properly.

Fitting an accessory (fig.A)

- ◆ Clean and grease the shank (7) of the accessory.
- ◆ Insert the accessory bar into the tool clamp(4).
- ◆ Push the accessory down and turn it slightly until it fits into the slots.
- ◆ Pull on the accessory to check if it is properly locked. The hammering and drilling function requires the accessory to be able to move axially several centimetres when locked in the tool clamp.
- ◆ To remove the accessory, pull back the sleeve (8) and pull out the accessory from the tool clamp.

Use

WARNING! Please operate tool with normal load. Do not overload.

WARNING! Before drilling into walls, floors or ceilings, check for the location of wiring and pipes.

Selecting the Operating Mode (fig. B)

The tool can be used in two operating modes. Based on actual work requirements, the drilling mode selector (3) can be rotated to the required position.

Hole drilling (Fig. B) (Fig. F)

- ◆ For drilling in steel, wood and plastics, set the operating mode selector (3) to the **(1)** position. At the same time, it is necessary to use a suitable drill chuck (13) (optional accessory) to clamp the attachment rod.

- ◆ Insert the drill chuck (13) into the tool chuck (4) according to the instructions for installing attachments. Turn the drill chuck to loosen the clamps at the front-end of the drill-clamp, and insert the accessory bar (14) into the clamps and turn the chuck in the opposite direction. You may also use the drill chuck key to tighten the clamp.

Hammer drilling (Fig. B)

- ◆ For hammer drilling in masonry and concrete, set the operating mode selector (3) to the **T1** position.
- ◆ The drill bit has to be placed accurately onto the drill hole position. After that, pull the switch for optimal effects. Make sure the tool is in the correct position to prevent the drill from deviating from the hole.
- ◆ When the drill hole is clogged with debris or fine powder, please don't exert any more pressure. Tool should be put in free-running state before removing part of the drill bit from the hole. If repeated a few times, the blockage in the hole would be cleared, and normal drilling can resume.

WARNING! When the drill bit hits cement or the steel rebar in the cement, the tool may recoil dangerously. Please hold the tool tightly in a balanced and stable position at all times to prevent it from recoiling dangerously.

Overload coupling device

If the drill bit has caught or hooked, the driving force transmitted to the drill shaft will be cut off. This would generate a strong recoil, so it would be necessary to hold the tool tightly with both hands to remain in a stable position.

Setting the drilling depth (Fig. E)

The depth stop is a convenient feature to ensure uniformity in drilling depth. Loosen the side handle to adjust the depth gauge according to the required depth. After that, tighten the side handle.

- ◆ Slacken the side handle (5) by turning the grip counter-clockwise.
- ◆ Set the depth stop (6) to the required position. The maximum drilling depth is equal to the distance between the tip of the drill bit and the front end of the depth stop.
- ◆ Tighten the side handle by turning the grip clockwise.

Switching on and off

WARNING! Before plugging in to the power source, make sure the switch can be flipped freely, and can return to its original position once released.

- ◆ To switch the tool on, press the variable speed switch (1). The tool speed depends on how far you press the switch.
- ◆ As a general rule, use low speeds for large diameter drill bits and high speeds for smaller diameter drill bits.
- ◆ For continuous operation, press the lock-on button (2) and release the variable speed switch.

- ◆ To switch the tool off, release the variable speed switch. To switch the tool off when in continuous operation, press the variable speed switch once more and release it.

Accessories

The performance of your tool depends on the accessory used. Stanley accessories are engineered to high quality standards and designed to enhance the performance of your tool. By using these accessories you will get the very best from your tool.

Maintenance

Your Stanley corded/cordless appliance/tool has been designed to operate over a long period of time with a minimum of maintenance. To ensure satisfactory operations, the tool must be maintained and cleaned regularly

WARNING! Before performing any maintenance on corded/cordless power tools:

- ◆ Switch off and unplug the appliance/tool.
- ◆ Or switch off and remove the battery from the appliance/tool if the appliance/tool has a separate battery pack.
- ◆ Or run the battery down completely if it is integral and then switch off.
- ◆ Unplug the charger before cleaning it. Your charger does not require any maintenance apart from regular cleaning.
- ◆ Regularly clean the ventilation slots in your appliance/tool/charger using a soft brush or dry cloth.
- ◆ Regularly clean the motor housing using a damp cloth. Do not use any abrasive or solvent-based cleaner.
- ◆ Regularly open the chuck and tap it to remove any dust from the interior (when fitted).

Replace the carbon brush (Fig. D)



Lubrication

- ◆ Regularly replace and inspect the carbon brush. Once completely worn out by continuous wear and tear, it will have to be replaced. Must keep carbon brush clean and sliding freely within the brush holder. Both carbon brushes have to be replaced at the same time.
- ◆ Remove the fixed screws (9) on the carbon brush to remove the carbon brush (10) and brush holder.
- ◆ Remove the coil spring supporting the carbon brush (11) in the brush holder, and insert a new carbon brush that meets the specifications.
- ◆ Set up the brush holder again and return the supporting coil

spring to its original position.



Cleaning



WARNING! Blow dirt and dust out of the main housing with dry air as often as dirt is seen collecting in and around the air vents. Wear approved eye protection and approved dust mask when performing this procedure.



WARNING! Never use solvents or other harsh chemicals for cleaning the non-metallic parts of the tool. These chemicals may weaken the material of the parts. Use only mild soap and damp cloth to clean the tool. Never let any liquid get inside the tool; never immerse any part of the tool into liquid.

Protecting The Environment



Separate collection. This product must not be disposed of with normal household waste.

Should you find one day that your Stanley product needs replacement, or if it is of no further use to you, do not dispose of it with household waste. Please sort it out for separate recycling.



Separate collection of used products and packaging allows materials to be recycled and used again. Re-use of recycled materials helps prevent environmental pollution and reduces the demand for raw materials.

Some local governments may require the local or municipal waste disposal centers or retailers of new products to provide households with electronic product recycling services.

STHR202 電鎚鑽

技術資料

電鎚鑽		STHR202			
		-B1	-XD	-TW	-KR
電壓	V	220-240	220-240	110	220
頻率	Hz	50/60	50/60	60	60
輸入功率	W	620			
空載轉速	/min	0-1250			
衝擊率	BPM	0-3900			
衝擊能量	J	1.34			
模式		2			
最大鑽孔效能	mm				
- 混凝土		20			
- 鋼材		13			
- 木材		25			
重量	kg	2.6			

設計用途

Stanley SDS plus 電鎚鑽專用於在混凝土、磚石、木材和鋼材上鑽孔。

安全說明

電動工具一般安全警告



警告！請閱讀所有安全警告及使用指示。不遵循這些警告和指示可能會導致觸電、火災及/或嚴重傷害。

請妥善保存所有警告及說明以備將來查閱。

警告中的名詞「電動工具」是指電源驅動（插電）電動工具，或者電池驅動（充電）電動工具。

1. 工作場地安全

- 保持工作場地清潔和明亮。混亂或黑暗的場地會引發事故。
- 不要在易爆環境，如有易燃液體、氣體或粉塵的

環境中操作電動工具。電動工具產生的火花會點燃粉塵或氣體。

- 請等待兒童和旁觀者離開之後才操縱電動工具。分心會導致您疏於控制。

2. 電氣安全

- 電動工具插頭必須與插座相符。切勿以任何方式改裝插頭。需接地的電動工具不能使用任何配接器插頭。未經改裝的插頭和相符的插座可以減少觸電危險。
- 避免人體接觸接地表面，如管道、散熱片、爐竈和冰箱。若您的身體接地，可增加觸電危險。
- 不得將電動工具暴露在雨中或潮濕環境中。水進入電動工具會增加觸電危險。
- 切勿濫用電線。請勿使用電線來搬運、拉動電動工具或拔出插頭。讓電線遠離熱、油、銳邊和活動部件。受損或纏繞的電線會增加觸電危險。
- 若要在戶外使用電動工具，請使用適合戶外使用的延長電纜。使用適合戶外使用的電線可減少觸電危險。
- 若必須在潮濕場合使用電動工具，請使用漏電保護器 (RCD)。使用 RCD 可降低觸電危險。註：「漏電保護器 (RCD)」亦稱為「接地故障斷路器 (GFCI)」或「接地漏電斷路器 (ELCB)」。

3. 人身安全

- 保持警覺；在操作電動工具時，請留意所執行的操作並按照一般的常識執行。切勿在疲倦，或受到藥物、酒精或治療的影響下操作電動工具。操作電動工具期間注意力分散會導致嚴重人身傷害。
- 使用個人防護裝置。始終佩戴護目裝備。防護裝置，例如在適當條件下可使用的防塵面具、防滑安全鞋、安全帽或聽力保護等裝置可減少人身傷害。
- 避免意外啟動。連接電源及/或電池組、撿取或搬運電動工具之前，請確定開關處於關閉位置。搬運電動工具時若將手指放在開關上，或是在接通開關電源時插入插頭都會引發危險。
- 接通電動工具之前，請卸下所有的調整鑰匙或扳手。遺留在電動工具旋轉部件上的扳手或鑰匙會

導致人身傷害。

- e. **不要過度伸張雙手。時刻注意腳下和身體的平衡。**如此即可在發生意外的情況下更好地控制電動工具。
- f. **適當穿著。不要穿寬鬆衣服或佩戴飾品。讓您的頭髮、衣服和手套遠離活動部件。**寬鬆衣服、佩飾和長髮可能會捲入活動部件。
- g. **若配備用於連接排屑裝置、集塵設備的裝置，請確定正確連接和使用這些裝置。**使用集塵設備可減少與粉塵有關的危險。

4. 電動工具的使用與注意事項

- a. **不要超負荷使用電動工具。根據您的用途使用適當的電動工具。**使用適當的電動工具、讓它在設計可負荷的應用內運轉，會讓您更有效、更安全地執行工作。
- b. **若開關不能開啟或關閉電源，切勿使用該電動工具。**不能用開關來控制的電動工具將存在危險，必須進行維修。
- c. **在執行任何調整、更換配件或儲存電動工具之前，請從電源上拔掉插頭及/或卸下電池組。**這類防護性措施可降低電動工具意外啟動的風險。
- d. **將閒置的電動工具儲存在兒童無法接觸的地方，並且不要讓不熟悉電動工具或對這些使用指示不瞭解的人員操作電動工具。**電動工具在未經培訓的使用者手中會發生危險。
- e. **維護電動工具。檢查活動部件是否對準或卡住、破損情況以及是否存在影響電動工具運行的其他情況。若有損毀，必須在使用之前修理電動工具。**許多事故都是由於電動工具欠缺維護所導致。
- f. **保持刀具鋒利和清潔。妥善維護、切削鋒利的切割工具不會輕易卡住並可更輕鬆控制。**
- g. **遵循使用指示以及工作條件和所要執行的工作使用電動工具、配件和工具刀頭等。**不按照設計目使用電動工具將會導致危險。

5. 檢修

- a. **本電動工具必須由合格的維修人員並只採用相同的原廠部件來執行檢修。**這將確保電動工具的安全性。

* **註：**主電壓：連接電源時，務必驗證電源電壓是否與電動工具的電壓相符。若電源超出電動工具上標示的電壓，使用者可能會發生嚴重傷害事故，並且導致工具損壞。相反，如果電源電壓低於工具所需的電壓，可能會因此損壞電機。因此，若無法驗證電壓，切勿將插頭插進電源中。

電鏈鑽之安全警告

- ◆ **請佩戴聽力保護器。**噪音會使聽力受損。
- ◆ **請使用工具隨附的輔助手柄。**工具失控會導致人身傷害。
- ◆ **若在執行操作時切割配件可能會接觸隱藏的電線或它本身的電線，則只能從絕緣手柄表面握住電動工具。**若切削配件接觸到「帶電」導線，電動工具金屬部件表面就會「帶電」，從而導致操作人員觸電。
- ◆ **請勿在旋轉模式下使用鑿子配件。**配件將卡在材料中並旋轉電鏈鑽。
- ◆ **使用夾具或採取其他可行的方法，將工件固定、支撐到穩定的平台上。**手持工件或用身體抵住工件會使工件不穩定並可能導致失控。
- ◆ **在牆體、地板和天花板上鑽孔之前，請檢查電線和管道位置。**
- ◆ **不要在鑽孔後立刻碰觸鑽頭尖端以免被燙傷。**
- ◆ **本說明書對工具的設計用途進行了描述。**使用非本使用手冊所建議的任何其他配件或附件，或使用本工具執行非本使用手冊中所建議的任何其他操作，可能會有**人身傷害及/或財產損失**的風險。

他人的安全

- ◆ **體力、感覺或智力不足，或者缺乏經驗及知識的人員（包括小孩）不適合使用本器具，除非負責他們安全的人員已經為他們提供關於使用此器具的監督或指示。**
- ◆ **必須監督小孩，確保他們沒有耍玩器具。**

其他風險

使用工具時可能會出現未包括在隨附的安全警告中的其他剩餘風險。濫用、長時間使用等也會導致這些風險。即使應用有關的安全規定並採用安全設備，仍然還有一些無法避免的風險。危險包括：

- ◆ 接觸旋轉/活動部件引起的傷害。
- ◆ 更換任何部件、刀片或配件引起的傷害。
- ◆ 長時間使用工具引起的傷害。長時間使用任何工具時，請確保定期休息。
- ◆ 聽力受損。
- ◆ 吸入使用工具時產生的粉塵引起的健康危害（譬如：在木材上使用時，尤其是樺木、山毛櫸和中密度纖維板(MDF)）。

工具上的標籤

工具上可能會附帶下列符號：



警告！為了降低受傷的風險，使用者必須仔細閱讀使用手冊。

日期條碼的位置（圖 C）

日期代碼 (12) 亦包括製造年份，已印刷在工具外殼上。

範例：

2014 XX JN
製造年份

電氣安全



本工具採用雙重絕緣，因此無需接地線。請務必檢查電源電壓是否與銘牌一致。檢查電壓相符性。

- ◆ 若電源線損毀，必須送往製造廠商或授權的 Stanley 維修中心更換以避免發生危險。

使用延長纜線

若需要使用延長電纜，請使用適合本工具電源輸入的認證延長電纜（參閱技術資料）。導線的最小橫截面積為 1.5 平方毫米。卷起纜線時請確保纜線無纏繞。

請參考下表。

纜線橫截面積 (mm ²)		纜線額定電流 (安培)					
0.75		6					
1.00		10					
1.50		15					
2.50		20					
4.00		25					
纜線長度 (m)							
		7.5	15	25	30	45	60
電壓	安培	纜線額定電流 (安培)					
110	0 - 2.0	6	6	6	6	6	10
	2.1 - 3.4	6	6	6	6	15	15
	3.5 - 5.0	6	6	10	15	20	20
	5.1 - 7.0	10	10	15	20	20	25
	7.1 - 12.0	15	15	20	25	25	-
230	12.1 - 20.0	20	20	25	-	-	-
	0 - 2.0	6	6	6	6	6	6
	2.1 - 3.4	6	6	6	6	6	6
	3.5 - 5.0	6	6	6	6	10	15
	5.1 - 7.0	10	10	10	10	15	15
	7.1 - 12.0	15	15	15	15	20	20
	12.1 - 20.0	20	20	20	20	25	-

功能部件（圖 E）

本工具包括以下部分或全部功能部件。

- 1.變速開關
- 2.鎖定按鈕
- 3.模式選擇器
- 4.工具夾頭
- 5.側手柄
- 6.限深器

裝配

警告！裝配之前，請確定已關閉工具電源並拔出插頭。

安裝側手柄（圖 E）

警告！在混凝土、磚石上孔鑽時，請使用側手柄以確保您的安全。

- ◆ 逆時針轉動手柄直到您可將側手柄滑動至工具前面為止。
- ◆ 將側手柄旋轉至所需位置。
- ◆ 順時針轉動手柄，將側手柄轉緊。

警告！使用工具時，請切記正確地安裝側手柄。

安裝配件 (圖 A)

- ◆ 清潔配件的軸 (7) 並塗上潤滑油。
- ◆ 將配件桿插入工具的夾頭 (4) 中。
- ◆ 將配件向下推，輕輕旋轉直到安裝到槽內。
- ◆ 拉一拉配件檢查是否已正確地鎖住。要使用錘擊和鑽孔功能，配件需要在工具夾頭中鎖定時軸向地移動數公分。
- ◆ 若要卸下配件，將套管 (8) 向後拉並將配件從工具夾頭中拉出。

使用說明

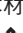
警告！請在正常負載下使用本工具。請勿使它過載。

警告！在牆體、地板和天花板上鑽孔之前，請檢查電線和管道位置。

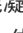
選擇操作模式 (圖 B)

本工具有兩種操作模式。您可以根據實際工作需要，將鑽孔模式選擇器 (3) 旋轉到所需的位置。

鑽孔操作 (圖 B) (圖 F)

- ◆ 若要在鋼材、木材和塑料上鑽孔，將操作模式選擇器 (3) 設定到  位置。同時需要使用一個合適的電鎚鑽夾頭 (13) (可選配件) 來夾緊配件桿。根據配件安裝說明，將電鎚鑽夾頭 (13) 插入工具夾頭 (4)。轉動電鎚鑽夾頭以在電鎚鑽夾具前端的位置鬆開夾具，將配件桿 (14) 插入夾具，然後反方向轉動夾頭。您還可使用電鎚鑽夾頭匙來擰緊夾具。

鎚鑽操作 (圖 B)

- ◆ 若要在磚石和混凝土上鎚鑽，請將操作模式選擇器 (3) 設定到  位置。
- ◆ 鑽頭必須對準鑽孔的位置。對準後再扣動開關可得到最佳效果。確保工具放置在正確的位置，以防止電鎚鑽偏離鑽孔。
- ◆ 當鑽孔堵塞了碎片或粉末時，請勿再施加任何壓力。從孔中移下鑽頭部分之前，工具應處於自由運轉狀態。若重複執行數次，可以清除孔中的堵

塞物，然後恢復正常的鑽孔。

警告！若鑽頭觸到水泥或水泥中的鋼筋，工具可能發生危險的反衝。請隨時保持平衡、穩固的站姿，並緊緊握持工具以防止危險的反衝。

重載耦合裝置

若鑽頭卡住或被鉤住，傳輸至鑽頭軸的驅動力將被截斷。這可能會產生強烈反衝，因此必須雙手緊緊握持工具以保持穩固的站姿。

設定鑽孔深度 (圖 E)

限深器是一個方便的功能，可用於確認鑽孔深度的一致性。鬆開側手柄，根據所需深度調整深度計，然後擰緊側手柄。

- ◆ 透過逆時針轉動手柄，將側手柄 (5) 轉鬆。
- ◆ 將限深器 (6) 設定到所需位置。最大鑽孔深度相等於鑽頭尖端和限深器前端之間的距離。
- ◆ 順時針轉動手柄，將側手柄轉緊。

開啟與關閉

警告！插入插頭前，請確認開關是否可以自由按下和釋放，釋放後是否能回復原位。

- ◆ 若要在打開工具電源，請按下變速開關 (1)。工具轉速取決於您按下開關的程度。
- ◆ 一般原則是，使用大直徑鑽頭時會採用低速，使用小直徑鑽頭時則會採用高速。
- ◆ 若要執行持續操作，請按下鎖定按鈕 (2) 並釋放變速開關。
- ◆ 若要關閉工具電源，請放開變速開關。若要在持續操作時關閉工具電源，請再次按下並釋放變速開關即可。

配件

電動工具的效能取決於所使用的配件。Stanley 配件依據高品質標準進行規劃，並設計用於增強電動工具的效能。透過使用這些配件，工具將以最佳效能運作。

維護

您的 Stanley 插電/充電器具/工具採用卓越的設計，能

夠長時間使用，並且只需最少的維護。為了獲得滿意的操作效果，必須定期對工具進行維護和清潔。

警告！在插電/充電電動工具上執行任何維護工作之前：

- ◆ 請關閉電源並拔下裝置/工具的插頭。
- ◆ 或者，若裝置/工具使用獨立電池組，請關閉電源並將電池從裝置/工具卸下。
- ◆ 又或者，若電池屬於內建電池，請使電池完全放電，然後再關閉電源。
- ◆ 清潔之前請拔下充電器的插頭。您的充電器除了定期清潔之外，並不需要執行任何維護操作。
- ◆ 定期使用軟刷或乾布清潔器具/工具/充電器內的通風槽。
- ◆ 定期使用濕布清潔電動機外殼。請勿使用任何研磨性或基於溶劑的清潔劑。
- ◆ 請定期打開夾頭並輕敲以清除內部的任何粉塵（安裝時）。

更換碳刷（圖 D）



潤滑

- ◆ 定期更換並檢查碳刷。若電刷因日積月累的磨損而完全損壞，必須立即進行更換。碳刷必須保持清潔，並可在碳刷夾持器中自由滑動。更換時，必須同時更換兩個碳刷。
- ◆ 擰開碳刷上的固定螺絲(9)以取下碳刷(10)和碳刷夾持器。
- ◆ 取下在碳刷夾持器中支承碳刷(11)的螺旋彈簧，插入一個規格相符的新碳刷。
- ◆ 再次裝回碳刷夾持器，將支承螺旋彈簧放回原位。

清潔



警告！一旦通風口及其周圍積聚可見的粉塵，請立即使用乾燥的壓縮空氣吹掉主機外殼內的粉塵和灰塵。執行此步驟時，請佩戴經認可的護目裝備和防塵面罩。



警告！切勿使用溶劑或其他刺激性化學品來清潔工具的非金屬部件。這些化學品可能會削弱零件的材料。請僅使用中性肥皂和濕布清洗工具。不要讓任何液體進入工具；不要讓工具的任何部分浸入液體中。

保護環境



分類收集。本產品必須與一般家庭廢物分開處置。

若您發現您的 Stanley 產品需要進行替換，或您已經不再需要使用這些產品，請不要將它們與家庭廢物一起處置。請將其分類以進行單獨回收。



分類收集用過的產品和包裝允許材料循環再生利用。重新使用回收的材料有助於防止環境污染，並降低對原材料的需求。

某些當地政府可能要求當地或市政廢物回收重心，或新產品的零售商提供電子家用產品的回收服務。

進口商：永安實業股份有限公司

地址：新北市三重區新北大道二段137號

電話：02-29994633

STHR202 로타리 햄머

기술 데이터


로타리 햄머		STHR202			
		-B1	-XD	-TW	-KR
전압	V	220-240	220-240	110	220
주파수	Hz	50/60	50/60	60	60
소비전력	W	620			
무부하 속도	/분	0-1250			
분당타격수	BPM	0-3900			
타격력	J	1.34			
2 모드					
최대 드릴 용량	mm				
- 콘크리트		20			
- 철재		13			
- 목재		25			
무게	kg	2.6			

용도

스탠리 SDS 플러스 로타리 햄머는 콘크리트, 벽돌, 목재 및 철재에 구멍을 뚫기 위한 용도로 제작되었습니다.

안전 지침

전동 공구에 관한 일반 안전 경고

 **경고! 안전 경고와 지시사항을 모두 읽으십시오.** 경고와 지시 사항을 준수하지 않으면 감전, 화재 및 / 또는 심각한 부상을 초래할 수 있습니다.

항후 참고할 수 있도록 모든 경고 및 지시 사항을 보관해두십시오.

경고에서 사용된 "전동 공구" 라는 용어는 주 공급 전원에 의해 전기가 공급되는 (유선) 전동 공구 또는 충전식 (무선) 전동 공구를 의미합니다.

1. 작업장 안전

a. 작업 영역을 청결하고 밝게 유지하십시오. 혼잡하거나 어두운 작업장에서는 사고가 발생하기

쉽습니다.

- b. 가연성 액체, 가스 또는 먼지 등이 있는 폭발성 대기에서 전동 공구를 사용하지 마십시오. 전동 공구에서 먼지나 가스를 발화시킬 수 있는 불꽃이 될 수 있습니다.
- c. 전동 공구로 작업하는 동안에는 어린이와 주변 사람들이 작업 영역에 가까이 들어오지 못하도록 하십시오. 주변이 산만해져 통제력을 잃을 수 있습니다.

2. 전기 안전

- a. 전동 공구의 플러그는 콘센트와 형식이 일치해야 합니다. 플러그를 어떤 방식으로든 절대 개조하지 마십시오. 접지된(지면 접지) 전동 공구에 어떤 어댑터 플러그도 사용하지 마십시오. 개조되지 않은 플러그 및 형식이 일치하는 콘센트를 사용하면 감전 위험이 줄어듭니다.
- b. 파이프, 라디에이터, 렌지 및 냉장고 등과 같이 접지된 표면에 신체가 접촉하지 않도록 하십시오. 신체가 접지되어 있으면 감전 위험이 높아집니다.
- c. 전동 공구를 비 또는 습한 환경에 노출하지 않도록 주의하십시오. 전동 공구에 물이 들어가면 감전 위험이 높아집니다.
- d. 코드를 함부로 다루지 마십시오. 코드를 사용하여 전동 공구를 운반하거나 잡아당기거나 플러그를 뽑지 마십시오. 열, 오일, 날카로운 모서리 또는 움직이는 부품에서 멀리 떨어진 장소에 코드를 보관하십시오. 코드가 손상되거나 얽혀 있으면 감전 위험이 높아집니다.
- e. 전동 공구를 실외에서 사용할 때는 실외 사용에 적합한 연장 코드를 사용하십시오. 실외 사용에 적합한 코드를 사용하면 감전 위험이 줄어듭니다.
- f. 어쩔 수 없이 습한 장소에서 전동 공구를 사용해야 하는 경우에는 누전 차단기(RCD)로 보호된 전원 공급 장치를 사용하십시오. RCD를 사용하면 감전 위험이 줄어듭니다. 참고: "RCD(residual current device)" 라는 용어는 "GFCI(ground fault circuit interrupter)" 또는 "ELCB(earth leakage circuit breaker)" 용어로 대체할 수 있습니다.

3. 신체 안전 사항

- a. 전동 공구로 작업할 때는 방심하지 말고 작업에 주의하면서 상식에 따르십시오. 피곤한 상태이거나 약물, 술, 치료제를 복용한 상태에서는 전동 공구를 사용하지 마십시오. 전동 공구를 사용하는 중에 주의력을 잃어 순간적으로 부상을 당할 수 있습니다.
- b. 신체 보호 장비를 착용하십시오. 항상 보안경을 착용하십시오. 적합한 상황에서 방진 마스크, 미끄럼 방지 안전화, 안전모 또는 청력 보호 기구 등의 보호 장비를 사용하면 신체 부상 위험이 줄어듭니다.
- c. 갑작스러운 장비 가동을 방지하십시오. 전원 및/ 또는 배터리 팩에 연결한 상태로 공구를 선택 또는

운반할 때는 사전에 스위치가 꺼짐 위치에 있는지 반드시 확인하십시오. 스위치가 켜짐 위치에 있는 상태에서 스위치에 손가락이 닿은 상태로 전동 공구를 운반하거나 전동 공구에 전원을 공급하면 사고가 발생합니다.

- d. 전동 공구를 켜기 전에 모든 조정 키 또는 렌치를 제거하십시오. 전동 공구의 회전 부품에 렌치나 키가 부착되어 있으면 부상을 당할 수 있습니다.
- e. 무리하게 팔을 뻗지 마십시오. 항상 올바른 자세로 서서 균형을 유지하십시오. 그러면 예기치 않은 상황에서의 전동 공구 제어 능력이 향상됩니다.
- f. 적절한 의복을 착용하십시오. 헐렁한 옷이나 장신구를 착용하지 마십시오. 머리카락, 옷 및 장갑이 움직이는 부품에 닿지 않도록 유의하십시오. 헐렁한 옷, 장신구 또는 긴 머리가 움직이는 부품에 걸 수 있습니다.
- g. 먼지 배출 및 집진 시설 연결을 위한 장치가 제공된 경우, 이를 장치가 연결되어 적절히 사용되고 있는지 반드시 확인하십시오. 집진장치를 사용하면 먼지와 관련된 위험을 줄일 수 있습니다.

4. 전동 공구 사용 및 관리

- a. 전동 공구에 무리한 힘을 가하지 마십시오. 해당 용도에 맞는 올바른 전동 공구를 사용하십시오. 올바른 전동 공구를 사용해야 설계된 속도로 작업을 더욱 안전하고 정확하게 수행할 수 있습니다.
- b. 스위치 켜짐/꺼짐이 되지 않는 전동 공구는 사용하지 마십시오. 스위치로 제어되지 않는 전동 공구는 위험하므로 수리해야 합니다.
- c. 전동 공구를 조정하거나 액세서리를 변경하거나 보관하기 전에 전원 및/또는 배터리 팩에서 플러그를 빼십시오. 이러한 예방적 안전 조치를 따라야 전동 공구가 갑자기 작동할 위험이 줄어듭니다.
- d. 사용하지 않는 전동 공구는 어린이의 손이 닿지 않는 곳에 보관하고, 전동 공구나 본 지시 사항에 익숙하지 않은 사람이 전동 공구를 절대 사용하지 못하게 하십시오. 전동 공구는 훈련을 받지 않은 사용자가 다루면 위험합니다.
- e. 전동 공구 유지 보수. 움직이는 부품의 잘못된 정렬이나 바인딩, 부품 파손 및 기타 전동 공구의 작동에 영향을 미칠 수 있는 기타 모든 상태를 확인하십시오. 손상된 부분이 있는 경우 사용하기 전에 전동 공구를 수리하십시오. 많은 사고는 전동 공구를 제대로 유지 보수하지 않아 발생합니다.
- f. 공구를 깨끗한 상태로 유지하십시오. 척 부분을 깨끗하게 유지하면 작업 시 방해가 적고 다루기도 용이합니다.
- g. 작업 환경과 수행할 작업을 고려하여, 본 지시 사항에 따라 전동 공구, 액세서리 및 톨 비트 등을 사용하십시오. 본 사용 설명서의 내용과 다른 용도로 전동 공구를 사용하면 위험한 상황이 발생할 수 있습니다.

5. 정비

- a. 자격을 갖춘 기술자가 동일 교체 부품을 사용하여 정비 작업을 수행해야 합니다. 그래야 전동 공구의 안전이 보장됩니다.

* **참고:** 전원 전압: 본체에 연결할 때 전원의 전압이 전동 공구의 전압과 일치하는지 확인해야 합니다. 전원 전압이 전동 공구에 표시된 전압을 초과할 경우, 사용자가 사고로 심각하게 부상당할 수 있고 공구도 손상될 수 있습니다. 이에 반하여 전원 전압이 공구의 필요 전압보다 낮을 경우, 모터가 손상될 수 있습니다. 따라서, 전압 확인이 불가능할 경우, 전원에 플러그를 꽂아서는 안 됩니다.

햄머 공구에 대한 안전 경고

- ◆ 귀 보호 장구를 착용하십시오. 소음에 노출되면 청력이 손상될 수 있습니다.
- ◆ 보조 핸들(공구와 함께 제공된 경우)을 사용하십시오. 제어력을 잃으면 신체 부상을 당할 수 있습니다.
- ◆ 절삭 액세서리가 숨겨진 배선 또는 자체 코드에 접촉할 수 있는 작업을 수행할 때는 절연된 손잡이 표면만 당도록 하여 전동 공구를 잡으십시오. "전류가 흐르는" 전선에 접촉된 절삭 액세서리는 전동 공구의 노출된 금속 부품을 "전류가 흐르는" 상태로 만들어 작업자를 감전시킬 수 있습니다.
- ◆ 절대 치출 액세서리를 회전 모드로 사용하지 마십시오. 액세서리가 작업물에 끼어 드릴을 회전시킵니다.
- ◆ 클램프 또는 다른 적절한 것을 사용하여 작업물을 작업대에 고정 및 지지하십시오. 작업물을 손으로 잡거나 몸으로 지탱하는 행동은 불안정하여 제어력을 잃을 수 있습니다.
- ◆ 벽, 바닥 또는 천장에 드릴 작업을 하기 전에 배선 및 파이프의 위치를 확인하십시오.
- ◆ 데지 않으려면 드릴 작업 후에 드릴 비트의 끝을 만지지 마십시오.
- ◆ 본 사용 설명서에 제품의 용도가 설명되어 있습니다. 본 사용 설명서에서 권장하는 방식 이외의 다른 방식으로 본 공구를 조작하거나 액세서리 또는 부속물을 사용하는 경우 신체 부상의 위험이 있거나 재산상의 손해가 발생할 수 있습니다.

다른 사람들의 안전

- ◆ 이 제품은 신체, 지각 또는 정신 능력이 낮거나 경험 및 지식이 부족한 사람(어린이 포함)이 사용하도록 설계되지 않았습니다. 이러한 사람이 사용할 때는 안전 책임자의 감독 또는 제품 사용과 관련된 지시 사항이 필요합니다.
- ◆ 어린이가 본 제품을 가지고 놀지 못하도록 항상 주시해야 합니다.

기타 위험

공구를 사용할 때 동봉된 안전 경고에 포함되어 있지 않은 잔류 위험이 발생할 수 있습니다. 이러한 위험은 오용, 장시간 사용 등으로 인해 발생할 수 있습니다. 관련된 안전 규정을 준수하고 안전 장치를 사용한다고 해도 특정한 위험은 피할 수 없습니다. 이러한 위험은 다음과 같습니다.

- ◆ 회전 부품이나 작동 부품을 만져 발생하는 부상.
- ◆ 부품, 톱날 또는 액세서리 변경으로 인한 부상.
- ◆ 장시간에 걸친 공구 사용으로 인한 부상. 어떤 공구이든 장시간에 걸쳐 사용할 때는 반드시 정기적인 휴식을 취하십시오.
- ◆ 청력 손상.
- ◆ 공구 사용 중에 발생하는 먼지를 호흡하여 유발되는 건강 위해성(예: 목재, 특히 오크, 너도밤나무 및 MDF 가공 작업).

공구 라벨

공구에는 다음과 같은 기호가 표시되어 있습니다.



경고! 부상 위험을 줄이려면 사용자는 사용 설명서를 주의 깊게 읽어야 합니다.

데이터 바코드 위치(그림 C)

날짜 코드(12)에는 제조년도도 포함되어며 케이스에 인쇄되어 있습니다.

예:

2014 XX JN
제조년도

전기 안전



이 공구는 이중으로 절연되어 있으므로 접지선이 필요 없습니다. 전원이 전동기 네임 플레이트에 기재된 전압과 일치하는지 확인하십시오. 부합함.

- ◆ 전원 코드가 손상된 경우 사고가 발생하지 않도록 제조업체 또는 공인 스탠리 서비스 센터에서 교체해야 합니다.

연장 케이블 이용

연장 케이블을 사용해야 하는 경우, 공구의 소비 전력 사양에 맞는 승인된 연장 케이블만 사용하십시오(기술 데이터를 참조하십시오). 도선의 최소 단면적은 1.5 sq. mm입니다. 케이블은 감아 올리기 전에 풀어야 합니다.

다음 표도 참조하십시오.

케이블 단면적(mm ²)	케이블 정격 전류(암페어)										
0,75	6										
1,00	10										
1,50	15										
2,50	20										
4,00	25										
케이블 길이 (m)											
	7,5	15	25	30	45	60					
전압	암페어	케이블 정격 전류(암페어)									
115	0 - 2,0	6	6	6	6	6	10				
	2,1 - 3,4	6	6	6	6	15	15				
	3,5 - 5,0	6	6	10	15	20	20				
	5,1 - 7,0	10	10	15	20	20	25				
230	7,1 - 12,0	15	15	20	25	25	-				
	12,1 - 20,0	20	20	25	-	-	-				
	0 - 2,0	6	6	6	6	6	6				
	2,1 - 3,4	6	6	6	6	6	6				
230	3,5 - 5,0	6	6	6	6	10	15				
	5,1 - 7,0	10	10	10	10	15	15				
	7,1 - 12,0	15	15	15	15	20	20				
	12,1 - 20,0	20	20	20	20	25	-				

각부 명칭(그림 E)

본 공구에는 다음 기능들 중 일부 또는 모두가 포함되어 있습니다.

1. 가변 속도 스위치
2. 잠금 버튼
3. 모드 선택기
4. 척
5. 사이드 핸들
6. 깊이조절 가이드

조립

경고! 조립하기 전에 공구 스위치가 꺼져 있고 플러그를 뽑았는지 반드시 확인하십시오.

사이드 핸들 장착 (그림 E)

경고! 콘크리트 또는 벽돌에 구멍을 뚫을 때는 안전을 위해 사이드 핸들을 사용하십시오.

- ◆ 사이드 핸들이 공구 앞으로 밀 수 있을 때까지 그립을 시계 반대 방향으로 돌립니다.
- ◆ 원하는 위치로 사이드 핸들을 돌립니다.
- ◆ 그림을 시계 방향으로 돌려서 사이드 핸들을 조입니다.

경고! 공구를 사용할 때는 사이드 핸들을 올바르게 설치하는 것을 잊지 마십시오.

액세서리 장착(그림 A)

- ◆ 액세서리의 상크(7)를 닦고 그리스를 바릅니다.
- ◆ 액세서리 바를 공구 클램프(4)에 끼웁니다.
- ◆ 액세서리 아래를 밀어 슬롯에 맞을 때까지 약간 돌립니다.

- ◆ 액세서리를 잡아 당겨 제대로 잠겼는지 확인하십시오. 햄머 및 드릴 기능을 사용하려면 공구 클램프에 잠겨 있을 때 액세서리를 축 방향으로 몇 센티미터 이동할 수 있어야 합니다.
- ◆ 액세서리를 분리하려면, 슬리브(8)를 뒤로 당겨서 공구 클램프에서 액세서리를 빼냅니다.

사용 방법

경고! 정상 부하 상태에서 공구를 작동하십시오. 과부하가 발생하면 안 됩니다.

경고! 벽, 바닥 또는 천장에 드릴 작업을 하기 전에 배선 및 파이프의 위치를 확인하십시오.

작동 모드 선택(그림 B)

두 가지의 작동 모드에서 공구를 사용할 수 있습니다. 실제 작업 조건에 따라, 드릴 모드 선택기(3)를 필요한 위치로 돌릴 수 있습니다.

구멍 드릴 작업(그림 B) (그림 F)

- ◆ 철재, 목재 및 플라스틱에서 드릴 작업을 할 경우, 작동 모드 선택기(3)를 **1** 위치로 설정합니다. 동시에 적합한 드릴 척(13) (윤선 액세서리)을 사용하여 부착물 봉을 짐쇠로 고정해야 합니다.
- ◆ 부착물 설치 방법에 따라 드릴 척(13)을 햄머 척(4)에 끼웁니다. 드릴 척을 돌려 드릴 클램프 선단에 있는 짐쇠를 풀고, 액세서리 생크를 드릴 척에 끼우고 척을 반대 방향으로 돌립니다. 또한 드릴 척 키를 사용하여 짐쇠를 조일 수도 있습니다.

햄머 드릴 작업(그림 B)

- ◆ 석재 및 콘크리트에서 햄머 드릴 작업을 할 경우, 작동 모드 선택기(3)를 **T1** 위치로 설정합니다.
- ◆ 드릴 비트는 드릴 구멍 위치에 정확하게 두어야 합니다. 그런 다음 최적의 효과를 위해 스위치를 당깁니다. 공구가 정확한 위치에 있는지 확인하여 드릴이 구멍에서 벗어나지 않도록 하십시오.
- ◆ 드릴 구멍이 부스러기 또는 미세 가루로 막혀 있을 경우 추가 압력을 가하지 마십시오. 구멍에서 드릴 비트를 제거하기 전에 공구는 자유로운 작동 상태에 있어야 합니다. 몇 번 반복하면, 구멍의 막힌 상태가 해결되어 정상 드릴 작업을 재개할 수 있습니다.

경고! 드릴 비트가 시멘트 또는 시멘트의 보강용 강철봉을 치면, 공구가 위험하게 반응할 수 있습니다. 항상 균형이 잡힌 안정적인 위치에서 공구를 꽉 잡아서 위험하게 반동되지 않도록 하십시오.

연결 장치 과부하

드릴 비트가 걸리거나 빠질 경우, 드릴 샤프트에 전달되는 원동력이 끊어집니다. 이는 강한 반동을 발생시키므로, 안정적인 위치를 유지하려면 양손으로 공구를 꽉 잡아야 합니다.

드릴 깊이 설정(그림 E)

깊이 제한은 드릴 깊이의 균일성을 보장하는 편리한 기능입니다. 사이드 핸들을 풀어서 필요한 깊이에 따라 깊이 게이지를 조정합니다. 그런 다음, 사이드 핸들을 조입니다.

- ◆ 그림을 시계 반대 방향으로 돌려서 사이드 핸들(5)을 풀니다.
- ◆ 깊이 제한(6)을 필요한 위치로 설정합니다. 최대 드릴 깊이는 드릴 비트 끝과 깊이 조절 자 간 거리와 같습니다.
- ◆ 그림을 시계 방향으로 돌려서 사이드 핸들을 조입니다.

전원 켜기/끄기

경고! 전원에 플러그를 꽂기 전에, 스위치가 획 젖혀졌다가 손을 놓으면 원래 위치로 잘 돌아오는지 확인하십시오.

- ◆ 공구 스위치를 켜려면 가변 속도 스위치(1)를 누릅니다. 공구 속도는 스위치를 누르는 속도에 따라 다릅니다.
- ◆ 일반적으로, 직경이 큰 드릴 비트에는 저속을 사용하고 직경이 작은 드릴 비트에는 고속을 사용합니다.
- ◆ 연속 작동시키려면 락온 버튼(2)을 누른 상태에서 변속 스위치에서 손을 떼십시오.
- ◆ 공구 스위치를 끄려면 가변 속도 스위치를 놓습니다. 연속 작업 중에 공구를 끄려면 변속 스위치를 한 번 더 눌렀다 떼십시오.

액세서리

전동 공구의 성능은 사용한 액세서리에 따라 결정됩니다. 공구에 맞는 액세서리를 사용함으로써 공구의 기능을 최대한 활용할 수 있습니다.

유지 보수

스탠리 유선/무선 기기/공구는 최소한의 유지 보수로 장기간에 걸쳐 작업이 가능하도록 설계되어 있습니다. 만족스러운 작동을 보장하려면 공구를 정기적으로 유지하고 청소해야 합니다.

경고! 유선/무선 전동 공구에 유지보수를 수행하기 전에:



분리 수거. 본 제품을 일반 가정용 쓰레기로 처리하면 안됩니다.

스탠리 제품을 교체해야 하거나 더 이상 쓸모가 없어졌다고 판단되면 본 제품을 가정용 쓰레기로 처리하지 마십시오. 분리 재활용으로 분류하십시오.



사용하던 제품과 포장을 분리 수거하면 자원을 재활용 및 재사용할 수 있습니다. 재활용 자원을 이용하면 환경 오염이 방지되고 고철 자원에 대한 수요를 줄일 수 있습니다.

일부 지방 자치에서는 지역 또는 관할 폐기물 처리 센터 또는 새 제품 판매점으로 하여금 가정에 가전제품 재활용 서비스를 제공하도록 요구할 수 있습니다.

- ◆ 제품/공구의 전원 플러그를 뽑으십시오.
- ◆ 또는 제품/공구에 별도의 배터리 팩이 있을 경우 전원을 끄고 제품/공구에서 배터리를 분리합니다.
- ◆ 또는 내장되어 있는 경우 배터리를 완전히 멈춘 다음 전원을 끕니다.
- ◆ 충전기를 청소하기 전에 충전기의 플러그를 뽑으십시오. 충전기는 정기적인 청소 이외에 유지 보수가 필요하지 않습니다.
- ◆ 부드러운 브러시와 마른 헝겊으로 기기/공구/충전기의 환기 슬롯을 주기적으로 청소하십시오.
- ◆ 젖은 헝겊으로 모터 하우징을 주기적으로 청소하십시오. 연마재 및 유성 클리너를 사용하지 마십시오.
- ◆ 척을 주기적으로 열고 가볍게 두드려 내부의 먼지를 털어내십시오(장착되었을 때).

카본 브러시 교체(그림 D)



윤활방법

- ◆ 카본 브러시를 정기적으로 교체 및 검사하십시오. 연속적인 마모로 완전히 닳아서 못 쓰게 되면, 교체해야 합니다. 카본 브러시는 깨끗하게 유지하여 브러시 홀더 내에서 자유롭게 움직여야 합니다. 카본 브러시 양쪽을 동시에 교체해야 합니다.
- ◆ 카본 브러시의 고정 나사(9)를 제거하여 카본 브러시(10)와 브러시 홀더를 분리합니다.
- ◆ 브러시 홀더에서 카본 브러시(11)를 받치고 있는 코일 용수철을 제거하고 사양에 맞는 새 카본 브러시를 끼웁니다.
- ◆ 브러시 홀더를 다시 장착하고 지지하고 있는 코일 용수철을 원래 위치로 돌려 놓습니다.



청소



경고! 통풍구 속이나 주변에 먼지가 쌓여있는 것이 보이면 가능한 한 자주 건조한 공기를 이용하여 몸체에서 먼지를 불어내십시오. 이 절차를 수행할 때에는 승인된 눈 보호 장구 및 승인된 방진 마스크를 착용하십시오.



경고: 공구의 금속 이외 부품을 청소할 때는 용제 등의 강력한 화학약품을 절대 사용하지 마십시오. 이러한 화학제품이 부품의 재질을 약화시킬 수 있습니다. 공구를 청소할 때는 중성 세척제와 젖은 헝겊만 사용하십시오. 공구 내부에 액체를 넣거나 공구 부품을 액체에 담그는 행동은 절대 금물입니다.

환경 보호

STHR202 Bor Beton

Data teknis

Bor Beton		STHR202			
		-B1	-XD	-TW	-KR
Voltase	V	220-240	220-240	110	220
Frekuensi	Hz	50/60	50/60	60	60
Input daya	W	620			
Kecepatan tanpa beban	/menit	0-1250			
Tarif tumbukan	BPM	0-3900			
Tenaga tumbukan	J	1,34			
Modus		2			
Kapasitas bor maksimum	mm				
- Beton		20			
- Baja		13			
- Kayu		25			
Berat	kg	2,6			

Tujuan penggunaan

Bor Beton Stanley SDS plus ditujukan untuk melubangi beton, batu bata, kayu, dan baja.

Petunjuk keselamatan

Peringatan Keselamatan Alat Listrik Umum



PERINGATAN! Baca seluruh peringatan keselamatan dan seluruh petunjuk. Kegagalan untuk mengikuti peringatan dan instruksi dapat mengakibatkan sengatan listrik, kebakaran, dan/atau cedera berat.

Simpan semua peringatan dan petunjuk untuk referensi di masa mendatang.

Istilah "alat listrik" dalam peringatan merujuk pada alat listrik beroperasi listrik induk (berkabel) atau alat listrik beroperasi baterai (nirkabel).

1. Keselamatan area kerja

- Jaga agar area kerja tetap bersih dan terang.** Area yang berantakan atau gelap berpotensi mengakibatkan kecelakaan.

- Jangan mengoperasikan alat listrik ini di lingkungan yang mudah menimbulkan bahaya ledakan, seperti di tempat yang terdapat cairan, gas, atau debu yang mudah terbakar.** Alat listrik menimbulkan percikan api yang dapat menyulut debu atau uap.
- Jauhkan anak-anak dan orang yang berada di sekitar, sewaktu mengoperasikan alat listrik.** Gangguan dapat menyebabkan Anda kehilangan kendali.

2. Keselamatan kelistrikan

- Steker alat listrik harus sesuai dengan soketnya. Jangan pernah memodifikasi steker dengan cara apa pun. Jangan gunakan steker adaptor apa pun dengan alat listrik yang dibumikan (grounded).** Steker yang tidak dimodifikasi dan stopkontak yang sesuai akan mengurangi risiko sengatan listrik.
- Hindari kontak badan dengan permukaan yang dibumikan (grounded), seperti pipa, radiator, kompor, dan kulkas.** Risiko sengatan listrik dapat meningkat jika tubuh Anda bersentuhan dengan permukaan yang dibumikan.
- Jangan sampai alat listrik ini terkena hujan atau terpapar ke kondisi yang basah.** Air yang masuk ke alat listrik akan meningkatkan risiko sengatan listrik.
- Jangan menyalahgunakan kabel. Jangan sekali-kali menggunakan kabel untuk membawa, menarik, atau mencabut alat listrik. Jauhkan kabel dari panas, minyak, tepi tajam, atau komponen yang bergerak.** Kabel yang rusak atau terbelit meningkatkan risiko sengatan listrik.
- Bila mengoperasikan alat listrik di luar ruangan, gunakan kabel sambungan yang sesuai untuk penggunaan di luar ruangan.** Menggunakan kabel yang sesuai untuk penggunaan di luar ruangan akan mengurangi risiko sengatan listrik.
- Jika penggunaan alat listrik di lokasi yang lembap tidak dapat dihindari, gunakan suplai yang terlindung oleh perangkat arus sisa (RCD).** Penggunaan RCD akan mengurangi risiko sengatan listrik. CATATAN: Istilah "perangkat arus sisa (RCD)" dapat digantikan dengan istilah "pemutus sirkuit gangguan tanah (GFCI)" atau "pemutus sirkuit kebocoran tanah (ELCB)".

3. Keselamatan diri

- Tetap waspada, perhatikan apa yang Anda kerjakan dan gunakan akal sehat saat mengoperasikan alat listrik. Jangan mengoperasikan alat listrik bila Anda sedang lelah, atau berada di bawah pengaruh obat, alkohol, atau pengobatan.** Kelengahan sesaat saja saat mengoperasikan alat listrik dapat mengakibatkan cedera diri serius.
- Gunakan peralatan pelindung diri. Selalu kenakan alat**

pelindung mata. Peralatan pelindung, seperti masker debu, sepatu keselamatan antiselip, helm proyek, atau pelindung telinga yang digunakan untuk kondisi yang sesuai akan mengurangi risiko cedera diri.

- c. **Hindari menyalakan alat tanpa disengaja.** Pastikan bahwa sakelar sudah dalam posisi mati sebelum menghubungkannya ke sumber listrik dan/atau baterai, mengambil, atau membawa alat. Membawa alat listrik dengan jari Anda masih menempel pada tombol atau menghidupkan alat listrik yang tombolnya masih menyala akan berpotensi mengakibatkan kecelakaan.
- d. **Lepaskan semua kunci setelan atau kunci pas sebelum menghidupkan alat listrik.** Kunci pas atau kunci yang dibiarkan terpasang pada komponen alat listrik yang berputar dapat mengakibatkan cedera diri.
- e. **Jangan menjangkau melampaui batas. Selalu jaga pijakan dan keseimbangan yang baik.** Hal ini memungkinkan Anda untuk mengendalikan alat listrik secara lebih baik dalam situasi yang tidak terduga.
- f. **Kenakan pakaian yang sesuai. Jangan mengenakan pakaian longgar atau perhiasan. Jauhkan rambut, pakaian dan sarung tangan dari komponen yang bergerak.** Pakaian yang longgar, perhiasan atau rambut panjang dapat tersangkut pada komponen yang bergerak.
- g. **Jika disediakan perangkat untuk sambungan fasilitas pengeluaran dan pengumpulan debu, pastikan alat ini dihubungkan dan digunakan dengan sesuai.** Penggunaan alat pengumpul debu dapat mengurangi bahaya yang ditimbulkan oleh debu.

4. Penggunaan dan pemeliharaan alat listrik

- a. **Jangan menggunakan alat listrik dengan paksa. Gunakan alat listrik yang sesuai untuk aplikasi Anda.** Alat listrik yang tepat akan bekerja lebih baik dan aman pada tingkat kelajuan yang telah dirancang untuk alat itu.
- b. **Jangan gunakan alat listrik ini jika tombol tidak dapat menghidupkan dan mematikan alat.** Alat listrik apa pun yang tidak dapat dikendalikan dengan tombol adalah berbahaya dan harus diperbaiki.
- c. **Lepaskan stopkontak dari sumber listrik dan/atau baterai dari alat listrik sebelum melakukan penyetelan apa pun, mengganti aksesoris, atau menyimpan alat listrik.** Tindakan pencegahan untuk keselamatan seperti itu akan mengurangi risiko menyalakan alat listrik secara tidak disengaja.
- d. **Simpan alat listrik yang tidak digunakan jauh dari jangkauan anak-anak, dan jangan membolehkan orang yang tidak memahami alat listrik atau petunjuk ini untuk mengoperasikannya.** Alat listrik dapat berbahaya bila digunakan oleh pengguna yang tidak terlatih.
- e. **Rawat alat listrik. Lakukan pemeriksaan untuk mengetahui apakah ada komponen bergerak yang tidak**

sejajar atau bengkok, komponen yang patah, dan kondisi lainnya yang dapat memengaruhi pengoperasian alat listrik. Jika rusak, perbaiki alat listrik sebelum digunakan. Banyak terjadi kecelakaan akibat alat listrik yang tidak terawat dengan baik.

- f. **Jaga ketajaman dan kebersihan alat pemotong.** Alat pemotong yang terawat dengan baik dengan mata potong yang tajam akan kecil kemungkinannya untuk macet serta lebih mudah untuk dikendalikan.
- g. **Gunakan alat listrik, aksesoris, dan mata bor, dsb. sesuai instruksi-instruksi ini, dengan memperhitungkan persyaratan kerja dan jenis pekerjaan yang harus dilakukan.** Penggunaan alat listrik untuk pengoperasian yang tidak sesuai dengan tujuan penggunaan dapat mengakibatkan situasi yang berbahaya.

5. Servis

- a. **Alat listrik sebaiknya diservis oleh teknisi yang berkualifikasi dan hanya menggunakan komponen pengganti yang persis sama.** Hal ini akan membuat keamanan alat listrik selalu terjaga.

* **Catatan:** Voltase listrik: Ketika menghubungkan ke listrik, sangat penting untuk memastikan apakah voltase listrik cocok dengan voltase pada alat listrik. Jika voltase listrik melebihi voltase yang tertera pada alat listrik, maka dapat mengakibatkan kecelakaan yang menyebabkan pengguna terluka parah, dan alat bisa menjadi rusak. Sebaliknya, jika voltase listrik lebih rendah dari voltase yang diperlukan oleh alat, akibatnya motor bisa menjadi rusak. Sehingga, jika tidak memungkinkan untuk memastikan voltase, sangat penting untuk tidak mencolokkan alat listrik ke sumber listrik.

Peringatan keselamatan untuk alat bor

- ◆ **Gunakan pelindung telinga.** Paparan terhadap kebisingan dapat menyebabkan kehilangan pendengaran.
- ◆ **Gunakan pegangan tambahan, bila disertakan dengan alat ini.** Hilangnya kendali dapat menimbulkan cedera diri.
- ◆ **Pegang alat listrik pada permukaan pegangan berinsulasi saat melakukan operasi karena aksesoris pemotong dapat mengenai kabel yang tersembunyi atau kabelnya sendiri.** Aksesoris pemotong yang bersentuhan dengan kabel bertegangan listrik dapat mengalirkan arus listrik pada komponen logam alat listrik dan mengakibatkan sengatan listrik pada pengguna.
- ◆ **Jangan pernah gunakan aksesoris pahat dalam mode putar.** Aksesoris akan terlepas dalam material dan memutar bor.
- ◆ **Gunakan jepitan atau cara praktis lain untuk mengamankan dan menyangga benda kerja pada landasan yang stabil.** Memegang benda dengan tangan atau disandarkan pada tubuh Anda akan membuatnya tidak stabil dan dapat mengakibatkan hilangnya kendali.

- ◆ Sebelum mengebor tembok, lantai, atau langit-langit, periksa dulu penempatan kabel dan pipa.
- ◆ Hindari menyentuh ujung mata bor setelah mengebor karena mungkin panas.
- ◆ Tujuan penggunaan dijelaskan dalam buku petunjuk ini. Menggunakan aksesoris atau peralatan tambahan, maupun mengoperasikan alat ini dengan cara yang tidak sesuai dengan yang disarankan dalam panduan pengguna ini dapat menimbulkan risiko cedera tubuh dan/atau kerusakan benda-benda milik pribadi.

Keselamatan orang lain

- ◆ Alat ini tidak ditujukan untuk penggunaan oleh orang (termasuk anak-anak) yang menderita kekurangan kemampuan fisik, sensorik, atau mental, atau kurang pengalaman dan pengetahuan, kecuali apabila mereka diawasi atau diarahkan dalam penggunaan peralatan ini oleh orang yang bertanggung jawab atas keselamatan mereka.
- ◆ Anak-anak harus diawasi agar mereka tidak bermain-main dengan peralatan ini.

Risiko lainnya

Risiko-risiko lain dapat timbul saat menggunakan alat, yang mungkin tidak tercantum dalam peringatan keselamatan yang disertakan. Risiko-risiko ini dapat diakibatkan oleh penyalahgunaan, penggunaan yang terlalu lama, dsb. Sekalipun peraturan keselamatan terkait sudah diterapkan dan peralatan pengaman sudah digunakan, risiko-risiko lain tertentu tidak dapat dihindari.

Antara lain:

- ◆ Cedera yang diakibatkan karena menyentuh komponen yang berputar/bergerak.
- ◆ Cedera yang terjadi saat mengganti komponen, pemotong, atau aksesoris.
- ◆ Cedera yang diakibatkan karena penggunaan alat untuk waktu lama. Jika menggunakan alat apa pun untuk waktu yang lama, pastikan Anda mengistirahatkannya secara berkala.
- ◆ Kerusakan indera pendengaran.
- ◆ Bahaya kesehatan yang disebabkan oleh menghirup debu yang ditimbulkan oleh penggunaan alat (contoh: mengebor kayu, khususnya kayu oak, beech, dan MDF)

Label pada alat

Simbol-simbol berikut ini tertulis pada alat:



PERINGATAN! Untuk mengurangi risiko cedera, pengguna harus membaca buku petunjuk.

Posisi Kode Batang Tanggal (Gbr. C)

Kode Tanggal (12), yang juga mencantumkan tahun pembuatannya, tercetak pada wadah alat.

Contoh :

2014 XX JN
Tahun produksi

Keselamatan Kelistrikan



Alat ini berisolasi ganda; sehingga kabel arde (ground) tidak diperlukan. Pastikan untuk memeriksa bahwa catu daya sesuai dengan voltase pada papan nilai. Sesuai.

- ◆ Jika kabel suplai rusak, harus diganti oleh pihak pabrik atau Pusat Layanan Stanley resmi untuk menghindari bahaya.

Menggunakan Kabel Ekstensi

Jika kabel ekstensi harus digunakan, gunakan kabel ekstensi yang disetujui yang sesuai dengan spesifikasi input daya pada alat (lihat data teknis). Luas penampang minimum dari kabel penghugung adalah 1,5 mm persegi. Kabel harus diurai sebelum digulung. Lihat tabel berikut.

Luas penampang kabel (mm ²) Nilai arus kabel (Ampere)						
0,75	6					
1,00	10					
1,50	15					
2,50	20					
4,00	25					
Panjang kabel (m)						
	7,5	15	25	30	45	60
Voltase	Ampere	Nilai arus kabel (Ampere)				
115	0 - 2,0	6	6	6	6	10
	2,1 - 3,4	6	6	6	15	15
	3,5 - 5,0	6	6	10	15	20
	5,1 - 7,0	10	10	15	20	25
	7,1 - 12,0	15	15	20	25	-
230	12,1 - 20,0	20	20	25	-	-
	0 - 2,0	6	6	6	6	6
	2,1 - 3,4	6	6	6	6	6
	3,5 - 5,0	6	6	6	6	10
	5,1 - 7,0	10	10	10	10	15
	7,1 - 12,0	15	15	15	15	20
	12,1 - 20,0	20	20	20	20	25

Fitur (Gbr. E)

Alat ini memiliki beberapa atau semua fitur berikut ini.

1. Sakelar kecepatan variabel
2. Tombol pengunci
3. Pemilih mode
4. Penjepit alat
5. Pegangan samping
6. Penghenti kedalaman

Perakitan

PERINGATAN! Sebelum dirakit, pastikan bahwa alat ini sudah dimatikan dan dicabut dari stopkontak.

Memasang Pegangan Samping (gbr. E)

PERINGATAN! Saat mengebor lubang di tembok beton atau tembok bata, gunakan pegangan samping untuk keselamatan Anda.

- ◆ Putar pegangan berlawanan arah jarum jam sampai Anda dapat menyelipkan gagang samping ke bagian depan alat.
- ◆ Putar gagang samping ke posisi yang diinginkan.
- ◆ Kencangkan pegangan samping dengan memutar pegangan searah jarum jam.

PERINGATAN! Saat menggunakan alat ini, jangan lupa memasang pegangan samping dengan benar.

Memasang aksesoris (gbr. A)

- ◆ Bersihkan dan minyaki pangkal (7) aksesoris.
- ◆ Masukkan bilah aksesoris ke penjepit alat (4).
- ◆ Tekan aksesoris ke bawah dan putar perlahan sampai pas pada lubangnya.
- ◆ Tarik aksesoris untuk memeriksa apakah sudah terkunci benar. Fungsi palu dan pengeboran mengharuskan aksesoris untuk dapat bergerak pada poros beberapa sentimeter saat terkunci dalam penjepit alat.
- ◆ Untuk melepas aksesoris, tarik lengan (8) ke belakang dan tarik aksesoris ke luar dari penjepit alat.

Penggunaan

PERINGATAN! Operasikan alat dengan beban normal. Jangan dibebani berlebihan.

PERINGATAN! Sebelum mengebor tembok, lantai, atau langit-langit, periksa penempatan kabel dan pipa.

Memilih Mode Operasi (gbr. B)

Alat dapat digunakan dalam tiga mode operasi. Berdasarkan persyaratan kerja yang sebenarnya, pilih mode pengeboran (3) dapat diputar ke posisi yang diperlukan.

Pengeboran lubang (Gbr. B) (Gbr. F)

- ◆ Untuk mengebor baja, kayu, dan plastik, setel pilih mode operasi (3) ke posisi (2). Pada saat yang bersamaan, gagang bor (13) (aksesoris opsional) yang sesuai perlu digunakan untuk menjepit batang peralatan tambahan.
- ◆ Masukkan gagang bor (13) ke gagang alat (4) menurut petunjuk pemasangan peralatan tambahan. Putar gagang bor untuk melonggarkan penjepit pada ujung depan penjepit bor, dan masukkan bilah aksesoris (14) ke dalam penjepit, lalu putar gagang di arah yang berlawanan. Anda juga dapat menggunakan kunci gagang bor untuk mengencangkan penjepit.

Pengeboran palu (Gbr. B)

- ◆ Untuk pengeboran palu pada tembok beton dan tembok bata, setel pilih mode operasi (3) ke posisi T1.
- ◆ Mata bor harus ditempatkan akurat ke posisi lubang bor. Setelah itu, tarik sakelar untuk efek optimal. Pastikan alat dalam posisi yang benar untuk mencegah agar bor tidak menyimpang dari lubang.
- ◆ Bila lubang bor tersumbat puing-puing atau serbuk halus, jangan beri tekanan lagi. Alat harus diletakkan dalam keadaan bebas bergerak sebelum mengeluarkan bagian mata bor dari lubang. Jika diulangi beberapa kali, penyumbatan di dalam lubang akan dibersihkan, dan pengeboran normal dapat dilanjutkan.

PERINGATAN! Saat mata bor mengenai semen atau batang baja dalam semen, alat ini dapat terpental ke belakang dengan berbahaya. Selalu pegang alat dengan erat dalam posisi yang seimbang dan stabil untuk mencegahnya agar tidak terpental ke belakang dengan berbahaya.

Perangkat penyambung yang kelebihan beban

Jika mata bor terjepit atau tersangkut, daya dorong yang disalurkan ke poros bor akan terputus. Ini akan menyebabkan terpental ke belakang dengan kuat, sehingga Anda harus memegang alat secara erat dengan kedua tangan agar tetap dalam posisi stabil.

Mengatur kedalaman pengeboran (Gbr. E)

Pembatas kedalaman adalah fitur yang nyaman untuk memastikan keseragaman dalam kedalaman pengeboran. Longgarkan pegangan samping untuk menyesuaikan pengukur kedalaman sesuai dengan kedalaman yang diperlukan. Setelah itu, kencangkan pegangan samping.

- ◆ Kendurkan gagang samping (5) dengan memutar pegangan berlawanan arah jarum jam.
- ◆ Setel pembatas kedalaman (6) ke posisi yang diperlukan. Kedalaman pengeboran maksimum sama dengan jarak antara ujung mata bor dengan ujung depan pembatas kedalaman.
- ◆ Kencangkan gagang samping dengan memutar pegangan searah jarum jam.

Menyalakan dan mematikan

PERINGATAN! Sebelum mencolokkan ke sumber listrik, pastikan sakelar dapat dijentikkan dengan leluasa, dan dapat kembali ke posisi semula setelah dilepaskan.

- ◆ Untuk menyalakan alat, tekan sakelar kecepatan variabel (1). Kecepatan alat tergantung pada seberapa jauh Anda menekan sakelar.
- ◆ sebagai aturan umum, gunakan kecepatan rendah untuk mata bor berdiameter besar dan kecepatan tinggi untuk mata bor berdiameter lebih kecil.
- ◆ Untuk pengoperasian yang terus-menerus, tekan tombol

kunci (2), lalu lepas tombol saklar kecepatan variabel.

- ◆ Untuk mematikan alat, lepas sakelar kecepatan variabel. Untuk mematikan alat saat dalam pengoperasian yang terus menerus, tekan sakelar kecepatan variabel sekali lagi dan lepaskan.

Aksesori

Kinerja alat Anda tergantung pada aksesori yang digunakan.

Aksesori Stanley dibuat dengan standar kualitas yang tinggi dan dirancang untuk meningkatkan kinerja alat Anda. Dengan menggunakan aksesori tersebut, Anda akan memaksimalkan penggunaan alat.

Pemeliharaan

Alat/peralatan listrik berkabel/nirkabel Stanley telah dirancang untuk penggunaan jangka panjang dengan perawatan minimum. Untuk memastikan operasi yang memuaskan, alat ini harus dirawat dan dibersihkan secara teratur

PERINGATAN! Sebelum melakukan pemeliharaan apa pun pada alat listrik berkabel/nirkabel:

- ◆ Matikan dan cabut peralatan/alat.
- ◆ Atau, matikan dan lepaskan baterai dari peralatan/alat jika peralatan/alat memiliki baterai terpisah.
- ◆ Atau, jika baterai terintegrasi, kosongkan baterai sama sekali, kemudian matikan.
- ◆ Lepas pengisi daya sebelum membersihkannya. Pengisi daya tidak membutuhkan perawatan lain di luar pembersihan berkala.
- ◆ Bersihkan celah-celah ventilasi peralatan/alat/pengisi daya Anda secara berkala menggunakan sikat lembut atau kain kering.
- ◆ Bersihkan kerangka motor secara teratur dengan menggunakan kain bersih yang lembap. Jangan gunakan bahan pembersih abrasif atau pembersih berbahan dasar larutan apa pun.
- ◆ Buka gagang secara berkala dan ketuk-ketuk untuk mengeluarkan debu dari bagian dalam alat (dalam posisi terpasang).

Mengganti kuas karbon (Gbr. D)



Pelumasan

- ◆ Ganti dan periksa kuas karbon secara berkala. Setelah benar-benar usang karena aus dan sobekan yang terus-menerus, maka harus diganti. Kuas karbon harus selalu bersih dan dapat meluncur bebas di dudukan kuas. Kedua kuas karbon harus diganti pada waktu yang sama.
- ◆ Lepas sekrup tetap (9) pada kuas karbon untuk melepas kuas karbon (10) dan dudukan kuas.

- ◆ Lepas pegas kumparan yang menopang kuas karbon (11) di dudukan kuas, dan masukkan kuas karbon baru yang memenuhi spesifikasi.
- ◆ Atur dudukan kuas lagi dan kembalikan pegas kumparan penopang ke posisi semula.



Pembersihan



PERINGATAN! Semprot ke luar kotoran dan debu pada bodi utama dengan udara kering sesering mungkin saat kotoran terlihat mengendap di dalam dan di sekitar ventilasi udara. Gunakan pelindung mata yang sesuai dan masker debu yang sesuai bilamana mengerjakan prosedur ini.



PERINGATAN! Jangan gunakan pelarut atau bahan kimia keras lainnya untuk membersihkan bagian alat yang tidak terbuat dari logam. Bahan kimia ini dapat merapuhkan material komponen. Cukup gunakan sabun lembut dan kain yang agak basah untuk membersihkan alat. Jangan sampai bagian dalam alat kemasukan air; jangan pernah rendam komponen alat dalam cairan.

Melindungi Lingkungan



Pengumpulan terpisah. Produk ini tidak boleh dibuang bersama limbah rumah tangga biasa.

Jika produk Stanley Anda perlu diganti, atau tidak lagi digunakan, jangan buang bersama sampah rumah tangga. Anda harus memilahnya untuk daur ulang terpisah.



Pengumpulan produk dan kemasan bekas secara terpisah memungkinkan material untuk didaur ulang dan digunakan lagi. Penggunaan kembali bahan yang didaur ulang membantu mencegah pencemaran lingkungan dan mengurangi kebutuhan bahan baku.

Beberapa pemerintah daerah mungkin mewajibkan pusat pembuangan sampah lokal atau kota atau peritel produk baru untuk memberikan layanan daur ulang produk elektronik pada rumah tangga.

STHR202

ส่วนโรตารี

ข้อมูลด้านเทคนิค

ส่วนโรตารี		STHR202			
		-B1	-XD	-TW	-KR
แรงดันไฟฟ้า	โวลต์	220-240	220-240	110	220
ความถี่	เฮิร์ตซ	50/60	50/60	60	60
กำลังไฟเข้า			วัตต์	620	
ความเร็วขณะไม่มีโหลด		/นาที่		0-1250	
อัตราการกระแทก		BPM		0-3900	
กำลังการกระแทก		J		1.34	
โหมด				2	
ความสามารถในการเจาะสูงสุด	มม.				
- คอนกรีต				20	
- เหล็ก				13	
- ไม้				25	
น้ำหนัก		กก.		2.6	

วัตถุประสงค์ในการใช้งาน

ส่วนโรตารี SDS Plus ของ Stanley ได้รับการออกแบบมาเพื่อใช้เจาะรูในคอนกรีต อลูมิเนียม และเหล็ก

ข้อปฏิบัติเพื่อความปลอดภัย

คำเตือนเพื่อความปลอดภัยทั่วไปสำหรับการใช้เครื่องมือไฟฟ้า



คำเตือน! โปรดอ่านคำเตือนและข้อปฏิบัติเพื่อความปลอดภัยทั้งหมด การไม่ปฏิบัติตามคำเตือนและข้อปฏิบัติเหล่านี้ อาจทำให้ถูกไฟฟ้าช็อต เกิดเพลิงไหม้ และ/หรือได้รับบาดเจ็บสาหัสได้

โปรดเก็บรักษาคำเตือนและข้อปฏิบัติทั้งหมดนี้ไว้เพื่อการอ้างอิงในภายหลัง

คำว่า “เครื่องมือไฟฟ้า” ในคำเตือน หมายถึงเครื่องมือไฟฟ้า (แบบมีสาย) ที่ทำงานผ่านแหล่งจ่ายไฟหลัก หรือ

เครื่องมือไฟฟ้า (แบบไร้สาย) ที่ทำงานผ่านแบตเตอรี่

1. ความปลอดภัยในบริเวณที่ทำงาน

- รักษาความสะอาดและจัดให้มีแสงสว่างเพียงพอในบริเวณที่ทำงาน บริเวณที่มีดหรือมีของวางระเกะระกะ อาจทำให้เกิดอุบัติเหตุได้
- ห้ามใช้เครื่องมือไฟฟ้าในบริเวณที่อาจเกิดการระเบิด เช่น ในสถานที่ที่มีของเหลว แก๊ส หรือฝุ่นละอองที่มีคุณสมบัติไวไฟ เครื่องมือไฟฟ้าจะทำให้เกิดประกายไฟที่อาจทำให้เกิดละอองไฟหรือเปลวไฟขึ้นได้
- ระวังไม่ให้เด็กเล็กและคนเดินผ่านไปมาเข้าใกล้ในขณะที่ใช้งานเครื่องมือไฟฟ้า สิ่งรบกวนอาจทำให้คุณเสียสมาธิได้

2. ความปลอดภัยทางไฟฟ้า

- ปลั๊กไฟของเครื่องต้องเป็นชนิดเดียวกับเต้ารับ ห้ามตัดแปลงปลั๊กไม่ว่าด้วยวิธีใด ห้ามใช้ปลั๊กอะแดปเตอร์ใดๆ กับเครื่องมือไฟฟ้าที่ต่อสายดิน (ลงกราวด์) ปลั๊กที่ไม่มีกราดตัดแปลงและเต้ารับชนิดเดียวกันจะช่วยลดความเสี่ยงจากการถูกไฟฟ้าช็อต
- หลีกเลี่ยงการสัมผัสพื้นผิวที่ต่อสายดินหรือลงกราวด์ เช่น ท่อ เครื่องทำความร้อน เตาหุงต้ม และตู้เย็น มีความเสี่ยงเพิ่มขึ้นที่จะถูกไฟฟ้าช็อตหากร่างกายเป็นสื่อเชื่อมต่อดินหรือลงกราวด์
- อย่าให้เครื่องมือไฟฟ้าถูกฝนหรือเปียกน้ำ น้ำที่เข้าเครื่องมือไฟฟ้าจะเพิ่มความเสี่ยงในการเกิดไฟฟ้าช็อต
- ห้ามใช้สายไฟชนิดวัตถุประสงค์ ห้ามใช้สายไฟเพื่อการหิ้ว ดึง หรือถอดปลั๊กเครื่องมือไฟฟ้า เก็บสายไฟให้พ้นจากความร้อน น้ำมัน ของมีคม หรือ ชิ้นส่วนที่กำลังเคลื่อนที่ สายไฟที่ชำรุดหรือพันกันเป็นการเพิ่มความเสี่ยงต่อการเกิดไฟฟ้าช็อต
- เมื่อใช้เครื่องมือไฟฟ้ากลางแจ้ง ให้ใช้สายต่อพ่วงที่เหมาะสมสำหรับการใช้งานกลางแจ้ง การใช้สายไฟที่เหมาะสมสำหรับการใช้งานกลางแจ้งจะช่วยลดความเสี่ยงจากการเกิดไฟฟ้าช็อต
- หากไม่สามารถหลีกเลี่ยงการใช้เครื่องมือไฟฟ้าใน

บริเวณที่ขึ้นแฉะได้ ให้ใช้อุปกรณ์ป้องกันไฟดูด (RCD) การใช้ RCD จะเป็นการลดความเสี่ยงจากการถูกไฟฟ้าช็อต หมายเหตุ: คำว่า "อุปกรณ์ป้องกันไฟดูด (RCD)" สามารถแทนที่ด้วย "เครื่องตัดกระแสไฟฟ้ารั่วลงดิน (GFCI)" หรือด้วย "เบรกเกอร์กันไฟฟ้ารั่วลงดิน (ELCB)"

3. ความปลอดภัยส่วนบุคคล

- ก) **ตื่นตัวและมีสมาธิกับสิ่งที่กำลังทำ รวมทั้งใช้สามัญสำนึก** ในขณะที่กำลังใช้งานเครื่องมือไฟฟ้า ห้ามใช้เครื่องมือไฟฟ้าในขณะที่คุณกำลังเหนื่อยหรือได้รับอิทธิพลจากยา แอลกอฮอล์ หรือการรับประทานบางอย่าง การขาดความระมัดระวังในการใช้เครื่องมือไฟฟ้าแม้ชั่วขณะหนึ่งอาจทำให้บาดเจ็บสาหัสได้
- ข) **ใช้อุปกรณ์ป้องกันร่างกาย สวมอุปกรณ์ป้องกันดวงตาเสมอ** อุปกรณ์ป้องกัน เช่น หน้ากากกันฝุ่น รองเท้ากันภัยกันลื่น หมวกกันน็อก หรืออุปกรณ์ป้องกันเสียงดังสำหรับสภาพที่เหมาะสมจะช่วยลดอาการบาดเจ็บทางร่างกาย
- ค) **ป้องกันเครื่องเปิดทำงานโดยไม่ตั้งใจ** สวิตช์ต้องอยู่ในตำแหน่งปิดก่อนที่จะเสียบปลั๊กเข้ากับแหล่งจ่ายไฟ และ/หรือ ชูตเบตเตอร์ หรือก่อนจะยกหรือหัวเครื่องมือ การยกเครื่องมือไฟฟ้าในขณะที่นิ้วอยู่ที่สวิตช์ หรือใช้เครื่องมือไฟฟ้าที่สวิตช์เปิดอยู่ อาจทำให้เกิดอุบัติเหตุได้
- ง) **ถอดกุญแจปรับตั้งหรือประแจออกก่อนเปิดสวิตช์เครื่องมือไฟฟ้า** ประแจหรือกุญแจที่เสียบค้างอยู่ในชิ้นส่วนที่หมุนได้ของเครื่องมือไฟฟ้าอาจทำให้ได้รับบาดเจ็บได้
- จ) **ห้ามขึ้นเขียงเท้าขณะใช้เครื่อง ควรยืนในท่าที่เหมาะสมและสวมตุลตลอดเวลา** เพื่อช่วยในการควบคุมเครื่องมือไฟฟ้าได้ดียิ่งขึ้นในสถานการณ์ที่ไม่คาดคิด
- ฉ) **แต่งกายให้เหมาะสม ห้ามสวมเสื้อผ้าหลวมหรือใส่เครื่องประดับ รวบผม ชายเสื้อ และถุงมือให้ห่างจากชิ้นส่วนที่กำลังหมุน** เสื้อผ้าที่หลวมหรือยาวรุ่มร่าม เครื่องประดับ หรือผมที่ยาวอาจเข้าไปพันกับชิ้นส่วนที่กำลังหมุน
- ช) **หากมีอุปกรณ์สำหรับดูดและเก็บฝุ่น ต้องตรวจสอบ**

ให้แน่ใจว่าได้เชื่อมต่อและใช้งานอุปกรณ์นั้นอย่างเหมาะสม การใช้อุปกรณ์เก็บฝุ่นจะช่วยลดอันตรายที่เกี่ยวข้องกับฝุ่นได้

4. การใช้และการดูแลรักษาเครื่องมือไฟฟ้า

- ก) **ห้ามฝืนใช้เครื่องมือไฟฟ้า เลือกใช้เครื่องมือไฟฟ้า** ที่ถูกต้องตรงกับลักษณะการใช้งานของคุณ เครื่องมือไฟฟ้าที่ถูกต้องย่อมทำงานได้ดีกว่าและปลอดภัยกว่า เมื่อใช้งานตามพิกัดที่เครื่องมือได้รับการออกแบบมา
- ข) **ห้ามใช้เครื่องมือไฟฟ้าถ้าสวิตช์เปิดปิดเครื่องไม่ทำงาน** เครื่องมือไฟฟ้าที่ไม่สามารถควบคุมผ่านสวิตช์ได้ ถือว่ามีอันตรายและต้องส่งซ่อม
- ค) **ถอดปลั๊กของเครื่องมือไฟฟ้าออกจากแหล่งจ่ายไฟ และ/หรือ แบตเตอรี่ก่อนทำการปรับแต่ง เปลี่ยน อุปกรณ์เสริม หรือจัดเก็บ** มาตรการเพื่อความปลอดภัยเชิงป้องกันนี้จะช่วยลดความเสี่ยงในการเปิดเครื่องให้ทำงานโดยไม่ตั้งใจ
- ง) **เก็บเครื่องมือไฟฟ้าที่ไม่ได้ใช้งานให้พ้นมือเด็ก และ** **ไม่อนุญาตให้บุคคลที่ไม่คุ้นเคยกับเครื่องมือไฟฟ้า หรือข้อปฏิบัติเหล่านี้เป็นผู้ใช้เครื่องมือ** เครื่องมือไฟฟ้าจะเป็นอันตรายหากอยู่ในมือผู้ใช้ที่ไม่มีความชำนาญ
- จ) **บำรุงรักษาเครื่องมือไฟฟ้า ตรวจสอบการวางตำแหน่งหรือการต่อชิ้นส่วนที่เคลื่อนที่ จุดเชื่อมต่อ ชิ้นส่วนและสภาพอื่น ๆ ที่อาจส่งผลกระทบต่อการทำงานของเครื่องมือไฟฟ้า** หากชำรุดเสียหาย ให้นำเครื่องมือไปส่งซ่อมก่อนนำมาใช้ อุบัติเหตุจำนวนมากเกิดจากการดูแลรักษาเครื่องมือไฟฟ้าไม่เพียงพอ
- ฉ) **เครื่องมือตัดต้องคมและสะอาดอยู่เสมอ** เครื่องมือตัดที่ได้รับการดูแลรักษาอย่างถูกต้อง และมีขอบตัดคม จะมีปัญหาติดขัดน้อย และควบคุมได้ง่ายกว่า
- ช) **ใช้เครื่องมือไฟฟ้า อุปกรณ์เสริม และชุดอุปกรณ์** ต่าง ๆ ให้สอดคล้องกับข้อปฏิบัติเหล่านี้ โดยพิจารณาถึงสภาพการทำงานและงานที่ทำเป็นสำคัญ การใช้เครื่องมือไฟฟ้าทำงานอื่นนอกเหนือจากที่กำหนดไว้อาจทำให้เกิดอันตรายได้

5. การบริการ

ก) ให้ช่างซ่อมที่มีความเชี่ยวชาญเป็นผู้ซ่อมเครื่องมือ และใช้อะไหล่แท้เท่านั้น ซึ่งจะช่วยให้นั่นใจได้ว่าเครื่องมือไฟฟ้ายังมีความปลอดภัยอยู่

* **หมายเหตุ:** แรงดันไฟฟ้าหลัก: เมื่อเชื่อมต่อกับแหล่งจ่ายไฟหลัก จะต้องตรวจสอบว่าแรงดันไฟฟ้าของแหล่งจ่ายไฟหลักตรงกับแรงดันไฟฟ้าของเครื่องมือไฟฟ้า หากแรงดันไฟฟ้าหลักสูงกว่าแรงดันไฟฟ้าที่ระบุไว้ที่เครื่องมือไฟฟ้า ผู้ใช้อาจได้รับอันตรายร้ายแรงจากอุบัติเหตุ และเครื่องมืออาจเสียหายได้ ในทางตรงข้าม หากแรงดันไฟฟ้าหลักต่ำกว่าแรงดันไฟฟ้าที่ระบุไว้ที่เครื่องมือ อาจส่งผลให้มอเตอร์เสียหายได้ ดังนั้น หากไม่สามารถตรวจสอบแรงดันไฟฟ้าได้ อย่าเสียบปลั๊กเข้ากับแหล่งจ่ายไฟโดยเด็ดขาด

คำเตือนเพื่อความปลอดภัยสำหรับเครื่องมือ ส่วนเจาะกระแทก

- สวมอุปกรณ์ป้องกันเสียงดัง การเผชิญกับเสียงดังมาก ๆ อาจทำให้สูญเสียความสามารถในการได้ยิน
- ใช้มือจับเสริม หากให้มาพร้อมเครื่อง การสูญเสียการควบคุมเครื่องอาจทำให้ได้รับบาดเจ็บได้
- จับเครื่องมือไฟฟ้าที่พื้นผิวส่วนที่ใช้จับซึ่งมีฉนวนป้องกัน เมื่อใช้งานเครื่องและอุปกรณ์เสริมที่ใช้กับงานตัดอาจสัมผัสกับสายไฟที่ซ่อนอยู่หรือสายไฟของตัวเครื่องเอง อุปกรณ์เสริมที่ใช้กับงานตัดที่สัมผัสกับสายไฟ “ที่มีไฟฟ้า” อาจทำให้ส่วนของโลหะที่ถูกสัมผัส “มีไฟฟ้า” และทำให้ผู้ใช้เครื่องถูกไฟดูดได้
- ห้ามใช้อุปกรณ์เสริมที่เป็นดอกสกัดในโหมดเจาะกระแทก เพราะอุปกรณ์เสริมชิ้นนี้จะเข้าไปติดขัดในวัสดุและส่วนเกิดการปิดตัวได้
- ใช้ตัวจับชิ้นงานหรือวิธีอื่น ๆ ที่ได้ผลเพื่อยึดและหมุนชิ้นงานบนแท่นที่มั่นคง การใช้มือจับหรือให้ชิ้นงานพิงกับลำตัวจะไม่มั่นคงและอาจทำให้สูญเสียการควบคุมได้
- ก่อนเจาะผนัง พื้น หรือเพดาน ให้ตรวจหาตำแหน่งสายไฟและท่อน้ำ
- หลีกเลี่ยงการสัมผัสที่ปลายดอกสว่านหลังการเจาะ เพราะอาจทำให้ผิวหนังเป็นแผลพุพอง

- วัตถุประสงค์ในการใช้งานได้อธิบายไว้ในคู่มือแนะนำการใช้งานฉบับนี้ การใช้งานอุปกรณ์เสริมหรืออุปกรณ์ต่อพ่วง หรือการใช้งานอื่นใดกับเครื่องมือที่นอกเหนือจากที่ได้แนะนำไว้ในคู่มือการใช้งานนี้ อาจทำให้เสี่ยงต่อการบาดเจ็บ และ/หรือความเสียหายต่อทรัพย์สินได้

ความปลอดภัยของบุคคลอื่น

- เครื่องมือนี้ไม่ได้มีไว้เพื่อการใช้งานโดยบุคคล (ซึ่งรวมถึงผู้เยาว์) ที่มีความสามารถทางกายภาพ ความสามารถทางการรับรู้ หรือความสามารถทางสมองบกพร่อง หรือบุคคลซึ่งขาดประสบการณ์และความรู้ เว้นเสียแต่จะได้รับการควบคุมดูแลหรือคำแนะนำการใช้งานเครื่องมือจากผู้รับผิดชอบความปลอดภัยของบุคคลเหล่านั้น
- เด็กควรได้รับการควบคุมดูแลเพื่อให้แน่ใจว่าเด็กจะไม่เล่นเครื่องมือ

ความเสี่ยงอื่น ๆ

ความเสี่ยงอื่น ๆ ที่ไม่ได้ระบุในคำเตือนเพื่อความปลอดภัยนี้ อาจเกิดขึ้นได้เมื่อใช้เครื่องมือ ความเสี่ยงเหล่านี้อาจเกิดขึ้นจากการใช้อย่างไม่ถูกวิธี การใช้เป็นเวลานาน เป็นต้น แม้จะปฏิบัติตามข้อกำหนดด้านความปลอดภัยที่เกี่ยวข้องและใช้อุปกรณ์นิรภัยแล้วก็ตาม แต่ก็ไม่สามารถหลีกเลี่ยงความเสี่ยงบางอย่างได้ ความเสี่ยงเหล่านี้ได้แก่:

- การบาดเจ็บที่เกิดจากการสัมผัสชิ้นส่วนที่หมุน/เคลื่อนที่
- การบาดเจ็บที่เกิดขึ้นขณะเปลี่ยนชิ้นส่วน ใบมีด หรืออุปกรณ์เสริม
- การบาดเจ็บที่เกิดจากการใช้เครื่องมือเป็นเวลานาน เมื่อใช้เครื่องมือต่อเนื่องเป็นเวลานาน ต้องหยุดพักเป็นระยะ ๆ
- ความบกพร่องในการได้ยินเสียง
- อันตรายต่อสุขภาพที่เกิดจากการสูดดมฝุ่นจากการใช้เครื่องมือ (ตัวอย่างเช่น การทำงานกับไม้ โดยเฉพาะไม้ ไม้ไผ่ ไม้ MDF)

สัญลักษณ์บนเครื่องมือ

สัญลักษณ์ต่อไปนี้จะปรากฏบนเครื่องมือ:



คำเตือน! เพื่อลดความเสี่ยงต่อการบาดเจ็บ ผู้ใช้ต้องอ่านคู่มือการใช้งานเล่มนี้

2.1 - 3.4	6	6	6	6	6	6
3.5 - 5.0	6	6	6	6	10	15
5.1 - 7.0	10	10	10	10	15	15
7.1 - 12.0	15	15	15	15	20	20
12.1 - 20.0	20	20	20	20	25	-

ตำแหน่งของบาร์โค้ดวันที่ (รูป C)

รหัสวันที่ (12) ซึ่งรวมถึงปีที่ผลิต จะพิมพ์อยู่บนตัวเครื่องตัวอย่าง

2014 XX JN
ปีที่ผลิต

ความปลอดภัยทางไฟฟ้า



เครื่องมือของคุณมีฉนวนสองชั้น ดังนั้นจึงไม่จำเป็นต้องต่อสายดิน ตรวจสอบให้แน่ใจว่ากำลังไฟของแหล่งจ่ายไฟตรงกับค่าแรงดันไฟฟ้าบนแผ่นแสดงพิกัด ตรงกัน

- หากสายไฟของตัวเครื่องชำรุดเสียหาย ต้องได้รับการเปลี่ยนโดยผู้ผลิตหรือศูนย์บริการของ Stanley ที่ได้รับอนุญาตเพื่อหลีกเลี่ยงอันตรายที่อาจเกิดขึ้น

การใช้สายพวง

หากจำเป็นจะต้องใช้สายพวง โปรดใช้สายพวงที่ได้มาตรฐานและตรงตามข้อกำหนดเฉพาะสำหรับกำลังไฟเข้าของเครื่องมือ (โปรดดูข้อมูลทางเทคนิค) ขนาดพื้นที่หน้าตัดต่ำสุดของสายไฟคือ 1.5 ตร.มม. ควรคลายสายไฟก่อนม้วนเก็บโปรดอ้างอิงตารางต่อไปนี้

พื้นที่หน้าตัดของสายไฟ (ม.ม. ²)	กระแสไฟฟ้าตามพิกัดของสายไฟ (แอมแปร์)						
0.75		6					
1.00		10					
1.50		15					
2.50		20					
4.00		25					
		ความยาวของสายไฟ (ม.)					
		7.5	15	25	30	45	60
แรงดันไฟฟ้า	แอมแปร์	กระแสไฟฟ้าตามพิกัดของสายไฟ (แอมแปร์)					
115	0 - 2.0	6	6	6	6	6	10
	2.1 - 3.4	6	6	6	6	15	15
	3.5 - 5.0	6	6	10	15	20	20
	5.1 - 7.0	10	10	15	20	20	25
	7.1 - 12.0	15	15	20	25	25	-
	12.1 - 20.0	20	20	25	-	-	-
230		ความยาวของสายไฟ (ม.)					
		7.5	15	25	30	45	60
แรงดันไฟฟ้า	แอมแปร์	กระแสไฟฟ้าตามพิกัดของสายไฟ (แอมแปร์)					
230	0 - 2.0	6	6	6	6	6	6

ส่วนประกอบสำคัญ (รูป E)

เครื่องมือนี้มีส่วนประกอบสำคัญบางอย่างหรือทั้งหมดดังต่อไปนี้

- สวิตช์ปรับระดับความเร็ว
- ปุ่มล็อค
- ตัวเลือกโหมด
- ที่จับอุปกรณ์
- มือจับเสริมด้านข้าง
- ก้านปรับระยะการเจาะ

การประกอบ

คำเตือน! ก่อนการประกอบ ตรวจสอบให้แน่ใจว่าเครื่องมือปิดสวิตช์อยู่และถอดปลั๊กไฟแล้ว

ใส่ตามจับด้านข้าง (รูป E)

คำเตือน! เมื่อเจาะรูเข้าไปในคอนกรีตหรืออิฐ โปรดใช้มือจับเสริมด้านข้างเพื่อความปลอดภัย

- หมุนกริปทวนเข็มนาฬิกาจนกระทั่งสามารถเลื่อนมือจับเสริมด้านข้างเข้าที่ด้านหน้าของเครื่องมือ
- หมุนมือจับเสริมด้านข้างเข้าไปยังตำแหน่งที่ต้องการ
- ขันมือจับเสริมด้านข้างให้แน่นโดยหมุนกริปตามเข็มนาฬิกา

คำเตือน! เมื่อใช้งานเครื่องมือ ต้องใส่มือจับเสริมด้านข้างให้ถูกต้อง

การติดตั้งอุปกรณ์เสริม (รูป A)

- ทำความสะอาดและหล่อลื่นก้าน (7) ของอุปกรณ์เสริม
- ใส่ก้านของอุปกรณ์เสริมเข้าไปในที่จับอุปกรณ์ (4)
- กดอุปกรณ์เสริมลง ค่อย ๆ หมุนอุปกรณ์เสริมจนกระทั่งเข้าพอดีในช่อง
- ลองดึงอุปกรณ์เสริมออกเพื่อตรวจสอบว่าอุปกรณ์เสริมล๊อคอยู่ในตำแหน่งถูกต้องแล้ว สำหรับคุณสมบัติ

การเจาะและการเจาะกระแทก อุปกรณ์เสริมจะต้องสามารถเคลื่อนตามแนวแกนได้หลายเซนติเมตร เมื่อล็อคอยู่ในที่จับอุปกรณ์

- เมื่อต้องการถอดอุปกรณ์เสริมออกให้ดึงปลอกล็อค (8) ถอยกลับ และดึงอุปกรณ์เสริมออกจากที่จับอุปกรณ์

การใช้งาน

คำเตือน! โปรดใช้งานเครื่องมือภายใต้โหลดการใช้งานปกติ ห้ามใช้งานเกินกำลัง

คำเตือน! ก่อนเจาะผนัง พื้น หรือเพดาน ให้ตรวจสอบตำแหน่งสายไฟและท่อน้ำ

การเลือกโหมดการทำงาน (รูป B)

เครื่องมือสามารถใช้ในโหมดการทำงานได้สองโหมด คุณสามารถหมุนสวิตช์เลือกโหมดการเจาะ (3) ไปยังตำแหน่งที่ต้องการได้ตามความต้องการในการใช้งานจริง

การเจาะรู (รูป B) (รูป F)

- เมื่อเจาะเหล็กไม้และพลาสติกให้ปรับสวิตช์เลือกโหมดการเจาะ (3) ไปที่ตำแหน่ง **(1)** ในขณะเดียวกัน จะต้องใช้ตัวจับดอกสว่านที่เหมาะสม (13) (อุปกรณ์เสริม) เพื่อยึดก้านปรับระยะการเจาะ
- ใส่ตัวจับดอกสว่าน (13) เข้าไปในหัวจับดอกสว่าน (4) ตามข้อปฏิบัติในการติดตั้งอุปกรณ์ยึดติด หมุนตัวจับดอกสว่านเพื่อคลายที่จับที่ปลายด้านหน้าของตัวจับดอกสว่าน และใส่ก้านอุปกรณ์เสริม (14) เข้าไปในที่จับและหมุนตัวจับดอกสว่านไปในทิศทางตรงข้าม คุณยังอาจใช้กุญแจขันตัวจับดอกสว่านเพื่อขันที่จับให้แน่นได้อีกด้วย

การเจาะกระแทก (รูป B)

- สำหรับการเจาะกระแทกปูนและคอนกรีต ให้ปรับสวิตช์เลือกโหมดการเจาะ (3) ไปที่ตำแหน่ง **T1**
- ต้องวางดอกสว่านลงบนตำแหน่งรูเจาะให้ถูกต้อง จากนั้นให้ดึงสวิตช์เพื่อให้ได้ผลการทำงานที่ดีที่สุด ตรวจสอบให้แน่ใจว่าเครื่องมืออยู่ในตำแหน่งที่ถูกต้องเพื่อป้องกัน

ไม่ให้ส่วนเคลื่อนไถลออกจากรูเจาะ

- เมื่อรูเจาะมีเศษวัสดุหรือฝุ่นผงละเอียดอุดตันอยู่ โปรดอย่าใช้แรงกดเพิ่ม ควรปรับเครื่องมือให้สามารถเคลื่อนตำแหน่งได้อย่างสะดวกก่อนถอนส่วนของดอกสว่านออกจากรูเจาะ หากเกิดขึ้นซ้ำสองสามครั้งให้นำสิ่งที่อุดตันออกจากรู และสามารถทำการเจาะซ้ำได้ตามปกติ

คำเตือน! เมื่อดอกสว่านกระแทกกับซีเมนต์หรือเหล็กเส้นในโครงสร้างซีเมนต์ เครื่องมืออาจมีแรงปฏิกิริยาสะท้อนกลับที่ทำให้เกิดอันตรายได้ โปรดจับเครื่องมือให้กระชับในตำแหน่งที่สมดุลและมั่นคงตลอดเวลาเพื่อป้องกันแรงปฏิกิริยาสะท้อนกลับที่เป็นอันตราย

กรณีการใช้งานเกินกำลังหรือติด

หากดอกสว่านถูกหนีบหรือติดขัดอยู่ แรงผลักดันที่ส่งไปยังแกนดอกสว่านจะหยุดทำงาน การติดขัดนี้จะทำให้เกิดแรงสะท้อนกลับที่รุนแรง จึงต้องใช้ทั้งสองมือจับเครื่องมือให้กระชับแน่นในตำแหน่งที่มั่นคง

การปรับตั้งความลึกของการเจาะ (รูป E)

ก้านปรับระยะการเจาะ เป็นส่วนประกอบสำคัญที่ช่วยอำนวยความสะดวกเพื่อให้แน่ใจว่าได้ความลึกของการเจาะที่เหมือนกัน คลายมือจับเสริมด้านข้างเพื่อปรับมาตรวัดความลึกตามความลึกที่ต้องการ จากนั้น ให้ขันมือจับเสริมด้านข้างให้แน่น

- ขันมือจับเสริมด้านข้าง (5) ให้แน่นโดยหมุนกริปทวนเข็มนาฬิกา
- ตั้งก้านปรับระยะการเจาะ (6) ไปยังค่าที่ต้องการ ระยะการเจาะลึกสุดคือระยะห่างระหว่างปลายดอกสว่านจนถึงด้านหน้าของก้านปรับระยะการเจาะ
- ขันมือจับเสริมด้านข้างให้แน่นโดยหมุนกริปตามเข็มนาฬิกา

การเปิดและปิดสวิตช์

- คำเตือน!** ก่อนเสียบปลั๊กเข้ากับแหล่งจ่ายไฟ โปรดตรวจสอบให้แน่ใจว่าสวิตช์สามารถสลับเปิดปิดได้อย่างอิสระ และสามารถกลับสู่ตำแหน่งเริ่มต้นได้ เมื่อปล่อยสวิตช์แล้ว
- เมื่อต้องการเปิดเครื่อง ให้กดสวิตช์ปรับระดับความเร็ว

(1) ความเร็วของเครื่องมือจะขึ้นอยู่กับความลึกของสวิตช์ที่คุณกดลงไป

- โดยทั่วไป ให้ใช้ความเร็วต่ำสำหรับดอกสว่านขนาดใหญ่และความเร็วสูงสำหรับดอกสว่านขนาดเล็กกว่า
- หากต้องการใช้งานอย่างต่อเนื่อง ให้กดปุ่มล็อค (2) และปล่อยสวิตช์ปรับระดับความเร็ว
- เมื่อต้องการปิดเครื่อง ให้ปล่อยสวิตช์ปรับระดับความเร็ว เมื่อจะปิดเครื่องระหว่างการใช้งานต่อเนื่อง ให้กดสวิตช์ปรับระดับความเร็วอีกครั้งแล้วปล่อย

อุปกรณ์เสริม

สมรรถนะของเครื่องมือของคุณขึ้นอยู่กับอุปกรณ์เสริมที่ใช้ อุปกรณ์เสริมของ Stanley ได้รับการออกแบบทางวิศวกรรมให้มีมาตรฐานคุณภาพสูง และเพิ่มสมรรถนะของเครื่องมือของคุณ เมื่อใช้อุปกรณ์เสริมเหล่านี้ คุณจะสามารถใช้เครื่องมือของคุณได้อย่างมีประสิทธิภาพสูงสุด

การบำรุงรักษา

เครื่องมือแบบมีสายไร้สายของ Stanley ได้รับการออกแบบมาเพื่อให้สามารถใช้งานได้ยาวนานต่อเนื่องโดยมีการบำรุงรักษาน้อยที่สุด เพื่อให้แน่ใจว่าเครื่องมือทำงานได้อย่างน่าพึงพอใจ จะต้องหมั่นบำรุงรักษาและทำความสะอาดสม่ำเสมอ

คำเตือน! ก่อนทำการบำรุงรักษาเครื่องมือไฟฟ้าแบบมีสาย/ไร้สาย จะต้อง:

- ปิดสวิตช์และถอดปลั๊กเครื่องมือ
- หรือปิดสวิตช์และถอดแบตเตอรี่ออกจากเครื่องมือ ถ้าเครื่องมือมีชุดแบตเตอรี่แยกต่างหาก
- หรือใช้แบตเตอรี่จนหมดถ้าแบตเตอรี่อยู่รวมกับเครื่อง จากนั้นให้ปิดสวิตช์
- ถอดปลั๊กเครื่องชาร์จออกก่อนจะทำความสะอาด เครื่องชาร์จไม่ต้องการการดูแลเป็นพิเศษ นอกเหนือจากการทำความสะอาดเป็นประจำ
- ทำความสะอาดช่องระบายอากาศในเครื่องมือและเครื่องชาร์จของคุณเป็นประจำโดยใช้แปรงขนอ่อนหรือผ้าแห้ง
- ทำความสะอาดตัวมอเตอร์เป็นประจำโดยใช้ผ้าชุบน้ำ

หมาด ๆ ห้ามใช้น้ำยาทำความสะอาดที่มีฤทธิ์กัดกร่อน หรือมีส่วนผสมของตัวทำละลาย

- เปิดตัวจับดอกสว่านออกมาเคาะเป็นประจำเพื่อกำจัดฝุ่นที่ติดอยู่ในตัวจับ (ในขณะที่ติดตั้ง)

การเปลี่ยนแปลงถ่าน (รูป D)



การหล่อลื่น

- เปลี่ยนและตรวจสอบแปรงถ่านอย่างสม่ำเสมอ เมื่อมีสภาพชำรุดเสียหายจนหมดจากการสึกหรออย่างต่อเนื่อง จะต้องเปลี่ยนใหม่ ต้องดูแลให้แปรงถ่านสะอาดอยู่เสมอและเลื่อนได้อย่างอิสระในกล่องแปรง ต้องเปลี่ยนแปรงถ่านทั้งสองอันพร้อมกัน
- ถอดสกรูยึด (9) ที่แปรงถ่านออก เพื่อนำแปรงถ่าน (10) ออกจากที่ยึดแปรงถ่าน
- ถอดสปริงขดลวดที่รองรับแปรงถ่าน (11) อยู่ในที่ยึดแปรงถ่าน และใส่แปรงถ่านอันใหม่ที่ตรงตามข้อมูลที่ระบุ
- ปรับตั้งที่ยึดแปรงถ่านอีกครั้ง และใส่สปริงขดลวดกลับคืนตำแหน่งเดิม



การทำความสะอาด



คำเตือน! หมั่นเป่าสิ่งสกปรกและฝุ่นละอองที่สะสมออกจากตัวเครื่องเป็นประจำด้วยลมแห้ง เนื่องจากสิ่งสกปรกมักสะสมอยู่ภายในและรอบๆ ช่องระบายอากาศ สวมอุปกรณ์ป้องกันดวงตาและหน้ากากกันฝุ่นที่ได้มาตรฐานในขณะดำเนินการขั้นตอนนี้



คำเตือน! ห้ามใช้สารที่เป็นตัวทำละลายหรือสารเคมีที่มีฤทธิ์กัดกร่อนรุนแรงอื่น ๆ ทำความสะอาดชิ้นส่วนที่ไม่ใช่โลหะของเครื่องมือ สารเคมีเหล่านี้อาจส่งผลต่อวัสดุที่ใช้ในชิ้นส่วนเหล่านี้ การทำความสะอาดเครื่องให้ใช้สบู่อ่อนและผ้าชุบน้ำ

หมดๆ เท่านั้น อย่าให้มีของเหลวใดๆ เข้าไปใน
เครื่องมือเด็ดขาด ห้ามจุ่มส่วนใด ๆ ของเครื่องมือ
ลงในของเหลวเด็ดขาด

การปกป้องสิ่งแวดล้อม



การเก็บรวบรวมแบบคัดแยก ห้ามทิ้งผลิตภัณฑ์นี้
รวมกับขยะในครัวเรือนปกติ

หากเมื่อใดก็ตามที่จำเป็นต้องเปลี่ยนผลิตภัณฑ์ Stanley
หรือถ้าเครื่องมือนี้ไม่เป็นประโยชน์อีกต่อไป อย่างที่
ผลิตภัณฑ์

นี้รวมกับขยะในครัวเรือน โปรดคัดแยกเพื่อนำไปรีไซเคิล
แยกประเภท



การเก็บรวบรวมแบบคัดแยกสำหรับบรรจุภัณฑ์
และผลิตภัณฑ์ที่ใช้แล้ว ทำให้สามารถรีไซเคิลวัสดุ
และนำมาใช้งานอีกครั้ง การนำวัสดุรีไซเคิลมาใช้
อีกครั้งจะช่วยป้องกันมลพิษต่อสิ่งแวดล้อมและ
ลดความต้องการวัตถุดิบ

รัฐบาลในบางประเทศอาจกำหนดให้มีศูนย์กำจัดของเสีย
ของเทศบาลหรือท้องถิ่น หรือร้านค้าปลีกสำหรับผลิตภัณฑ์
ใหม่ที่ให้บริการรีไซเคิลผลิตภัณฑ์อิเล็กทรอนิกส์แก่บ้าน
เรือนต่าง ๆ

STHR202 Khoan búa

Thông số kỹ thuật

Khoan búa	STHR202				
	-B1	-XD	-TW	-KR	
Điện áp V	220-240	220-240	110	220	
Tần số Hz	50/60	50/60	60	60	
Công suất đầu vào W	620				
Tốc độ không tải /phút	0-1250				
Tốc độ va đập lần/phút	0-3900				
Lực đập J	1,34				
Chế độ	2				
Kích thước khoan tối đa mm					
- Bê tông	20				
- Thép	13				
- Gỗ	25				
Trọng lượng kg	2,6				

Mục đích sử dụng

Khoan búa Stanley SDS plus được sử dụng để khoan lỗ ở bê tông, gạch, gỗ và thép.

Hướng dẫn an toàn

Cảnh báo chung về an toàn cho dụng cụ điện cầm tay



CẢNH BÁO! Hãy đọc tất cả các cảnh báo và hướng dẫn về an toàn. Việc không tuân theo các cảnh báo và hướng dẫn có thể gây giật điện, cháy nổ và/hoặc chấn thương nghiêm trọng.

Giữ lại tất cả các cảnh báo và hướng dẫn để tham khảo về sau.

Thuật ngữ "dụng cụ điện cầm tay" trong phần cảnh báo chỉ thiết bị chạy bằng điện nguồn (có dây điện) hoặc thiết bị chạy bằng pin (không có dây điện).

1. An toàn tại nơi làm việc

a. Đảm bảo nơi làm việc luôn sạch sẽ và đủ ánh sáng.

Những khu vực bừa bộn hoặc thiếu ánh sáng dễ gây tai nạn.

- b. **Không vận hành dụng cụ điện cầm tay trong các môi trường dễ cháy nổ, như các môi trường có chất lỏng, khí hoặc bụi dễ cháy.** Dụng cụ điện cầm tay tạo ra các tia lửa điện có thể gây cháy bụi hoặc bốc khói.
- c. **Không cho trẻ em và những người quan sát lại gần khi đang vận hành dụng cụ điện cầm tay.** Những lúc xao lãng có thể khiến bạn mất kiểm soát.

2. An toàn điện

- a. **Phích cắm của dụng cụ điện cầm tay phải vừa với ổ cắm. Không sửa đổi phích cắm bằng bất kỳ cách nào. Không sử dụng các phích cắm tiếp hợp với những dụng cụ điện cầm tay có nối đất.** Phích cắm nguyên trạng và ổ cắm phù hợp sẽ giúp giảm nguy cơ bị điện giật.
- b. **Tránh tiếp xúc với các bề mặt được nối đất như đường ống, lò sưởi, bếp nướng và tủ lạnh.** Nguy cơ bị điện giật sẽ cao hơn nếu cơ thể bạn tiếp xúc trực tiếp với đất.
- c. **Không để các dụng cụ điện cầm tay ngoài trời mưa hoặc ở nơi ẩm ướt.** Nước vào trong dụng cụ điện cầm tay sẽ làm tăng nguy cơ bị điện giật.
- d. **Không dùng dây điện cho các mục đích khác. Tuyệt đối không sử dụng dây điện để mang, kéo hoặc rút phích cắm dụng cụ điện cầm tay. Để dây điện cách xa nguồn nhiệt, dầu mỡ, các cạnh sắc hoặc các bộ phận chuyển động.** Dây điện bị hỏng hoặc bị vướng sẽ làm tăng nguy cơ bị điện giật.
- e. **Khi vận hành dụng cụ điện cầm tay ngoài trời, hãy sử dụng dây nối dài phù hợp để sử dụng ngoài trời.** Sử dụng dây điện phù hợp để sử dụng ngoài trời sẽ giúp giảm nguy cơ bị điện giật.
- f. **Nếu bắt buộc phải vận hành dụng cụ điện cầm tay ở nơi ẩm ướt, hãy sử dụng nguồn được bảo vệ bởi thiết bị ngắt mạch tự động (RCD).** Sử dụng RCD giúp giảm nguy cơ bị điện giật. LƯU Ý: Thuật ngữ "thiết bị ngắt mạch tự động (RCD)" có thể được thay thế bằng "thiết bị ngắt mạch khi rò điện (GFCI)" hoặc "cầu dao chống rò điện đất (ELCB)".

3. An toàn cá nhân

- a. **Hãy tập trung, chú ý vào những gì bạn đang làm và tỉnh táo khi vận hành dụng cụ điện cầm tay. Không sử dụng dụng cụ điện cầm tay khi bạn đang mệt hoặc chịu ảnh hưởng của rượu bia, ma túy hoặc chất kích thích.** Chỉ một khoảnh khắc mất tập trung trong khi vận hành dụng cụ điện cầm tay cũng có thể dẫn đến chấn thương cá nhân nghiêm trọng.

- b. **Sử dụng thiết bị bảo hộ cá nhân.** Luôn đeo kính bảo hộ. Thiết bị bảo hộ như mặt nạ chống bụi, giày chống trượt, mũ cứng hoặc thiết bị bảo vệ tai - nếu được sử dụng ở những điều kiện phù hợp - sẽ giúp giảm các chấn thương cá nhân.
- c. **Tránh vô tình bật máy.** Đảm bảo rằng công tắc ở vị trí **tắt trước khi nối với nguồn điện và/hoặc pin, khi cầm hoặc mang dụng cụ.** Việc cầm dụng cụ điện cầm tay khi ngón tay đặt vào công tắc hoặc sạc pin cho dụng cụ điện cầm tay khi công tắc đang bật có thể gây tai nạn.
- d. **Hãy tháo hết khóa điều chỉnh hoặc cờ lê trước khi bật dụng cụ điện cầm tay.** Không tháo hết cờ lê hoặc khóa ra khỏi bộ phận quay của dụng cụ điện cầm tay có thể dẫn đến chấn thương cá nhân.
- e. **Không được vớ tay. Hãy đứng ở tư thế thích hợp và luôn giữ thăng bằng.** Điều đó giúp kiểm soát dụng cụ điện cầm tay tốt hơn trong các tình huống bất ngờ.
- f. **Mặc quần áo phù hợp. Không mặc quần áo rộng hoặc đeo đồ trang sức.** Giữ cho tóc, quần áo và găng tay tránh xa các bộ phận chuyển động. Quần áo rộng, đồ trang sức hoặc tóc dài có thể bị mắc vào các bộ phận chuyển động.
- g. **Nếu các thiết bị được cung cấp để nối các phương tiện hút và gom bụi, hãy đảm bảo những thiết bị này được nối và sử dụng đúng cách.** Sử dụng thiết bị gom bụi có thể giảm các nguy cơ liên quan đến bụi.
- 4. Sử dụng và bảo quản dụng cụ điện cầm tay**
- a. **Sử dụng dụng cụ điện cầm tay phù hợp. Sử dụng dụng cụ điện cầm tay phù hợp với mục đích của bạn.** Dụng cụ phù hợp sẽ giúp bạn làm việc hiệu quả và an toàn hơn theo đúng tốc độ được thiết kế.
- b. **Không sử dụng dụng cụ điện cầm tay nếu công tắc không bật và tắt được.** Những dụng cụ điện cầm tay không điều khiển được bằng công tắc đều rất nguy hiểm và cần phải được sửa chữa.
- c. **Rút phích cắm dụng cụ điện cầm tay ra khỏi nguồn điện và/hoặc pin ra khỏi dụng cụ điện cầm tay trước khi thực hiện các điều chỉnh, thay phụ kiện hoặc bảo quản dụng cụ điện cầm tay.** Các biện pháp an toàn phòng ngừa đó giúp giảm nguy cơ khởi động dụng cụ điện cầm tay một cách tình cờ.
- d. **Bảo quản các dụng cụ điện cầm tay không sử dụng tránh xa tầm tay trẻ em và không cho phép những người không quen với dụng cụ điện cầm tay hoặc những hướng dẫn này vận hành dụng cụ điện cầm tay.** Dụng cụ điện cầm tay sẽ rất nguy hiểm khi được sử dụng bởi những người chưa được huấn luyện.
- e. **Bảo trì dụng cụ điện cầm tay. Kiểm tra các bộ phận di chuyển xem có bị lắp lệch hoặc kẹt không, các bộ phận có bị vỡ không và bất kỳ tình trạng nào**

khác có thể ảnh hưởng đến việc vận hành dụng cụ điện cầm tay. Nếu dụng cụ điện cầm tay bị hỏng, hãy sửa chữa trước khi sử dụng. Rất nhiều tai nạn xảy ra do công tác bảo trì các dụng cụ điện cầm tay kém.

- f. **Đảm bảo các thiết bị cắt luôn sắc và sạch sẽ.** Các dụng cụ cắt được bảo trì đúng cách với các cạnh cắt sắc sẽ ít bị kẹt hơn và dễ điều khiển hơn.
- g. **Sử dụng dụng cụ điện cầm tay, các phụ kiện và mũi khoan, v.v...theo các chỉ dẫn này, chú ý đến các điều kiện làm việc và công việc sẽ thực hiện.** Sử dụng dụng cụ điện cầm tay sai mục đích có thể gây nguy hiểm.
- 5. Bảo dưỡng**
- a. **Hãy để nhân viên bảo dưỡng có chuyên môn tiến hành bảo dưỡng dụng cụ điện cầm tay cho bạn và chỉ sử dụng các bộ phận thay thế chính hãng.** Điều này giúp đảm bảo độ an toàn của dụng cụ điện cầm tay đó.

- * **Lưu ý:** Điện áp nguồn: Khi nối với nguồn điện, cần xác định xem điện áp nguồn có phù hợp với điện áp của dụng cụ điện cầm tay hay không. Nếu điện áp nguồn cao hơn điện áp ghi trên dụng cụ điện cầm tay, người dùng có thể bị tai nạn chấn thương nghiêm trọng và dụng cụ có thể bị hỏng. Trái lại, nếu điện áp nguồn thấp hơn điện áp ghi trên dụng cụ điện cầm tay, động cơ có thể bị hỏng. Do đó, nếu không thể xác định mức điện áp, không được cắm dụng cụ điện cầm tay vào nguồn điện.

Cảnh báo an toàn cho máy khoan búa

- ◆ **Mang thiết bị bảo vệ tai.** Việc tiếp xúc với tiếng ồn có thể làm giảm thính lực.
- ◆ **Sử dụng (các) tay cầm phụ, nếu được cung cấp kèm theo dụng cụ.** Việc mất kiểm soát có thể gây chấn thương cá nhân.
- ◆ **Chỉ cầm dụng cụ điện cầm tay ở phần bề mặt tay cầm cách điện, khi thực hiện thao tác, chú ý phụ kiện cắt có thể tiếp xúc với hệ thống dây điện chìm hoặc dây điện của chính dụng cụ.** Phụ kiện cắt tiếp xúc với dây "có điện" có thể làm dây điện bị hở và khiến người vận hành bị điện giật.
- ◆ **Tuyệt đối không sử dụng phụ kiện đục ở chế độ quay.** Phụ kiện sẽ bị kẹt vào vật liệu và làm quay máy khoan.
- ◆ **Dùng kẹp hay áp dụng một biện pháp thực tế khác nhằm bảo đảm và cố định phối gia công trên bàn máy.** Giữ phối bằng tay hay dựa vào người bạn đều làm

cho phổi không vững và có thể dẫn tới mất kiểm soát.

- ◆ Trước khi khoan vào tường, sàn hay trần nhà, hãy kiểm tra vị trí lắp đặt đường dây điện và đường ống.
- ◆ Tránh chạm vào đầu mũi khoan ngay sau khi khoan để tránh mũi khoan quá nóng.
- ◆ Mục đích sử dụng được mô tả trong hướng dẫn sử dụng này. Việc sử dụng bất kỳ phụ kiện hay đồ gá hoặc thực hiện bất kỳ thao tác nào với dụng cụ này không theo các mục đích sử dụng khuyến nghị trong hướng dẫn sử dụng này có thể dẫn đến nguy cơ chấn thương cá nhân và/hoặc hư hỏng tài sản.

Vấn đề an toàn đối với người khác

- ◆ Không cho phép những người (bao gồm cả trẻ em) bị suy giảm năng lực thể chất, trí tuệ hoặc cảm giác, hay người thiếu kinh nghiệm và kiến thức sử dụng dụng cụ điện cầm tay này, trừ khi có sự giám sát hoặc hướng dẫn của người chịu trách nhiệm về vấn đề an toàn của họ.
- ◆ Phải giám sát để đảm bảo trẻ không nghịch thiết bị.

Các nguy cơ khác

Các nguy cơ khác có thể phát sinh khi sử dụng dụng cụ không nằm trong các cảnh báo an toàn đính kèm. Những nguy cơ này có thể phát sinh từ việc sử dụng sai mục đích, sử dụng trong thời gian dài, v.v. Kể cả việc áp dụng các quy tắc an toàn liên quan và dùng các thiết bị an toàn cũng không thể tránh được một số nguy cơ nhất định.

Những nguy cơ này gồm:

- ◆ Chấn thương do chạm vào bất kỳ bộ phận đang quay/ chuyển động nào.
- ◆ Chấn thương do thay đổi bất kỳ bộ phận, lưỡi dao hay phụ kiện nào.
- ◆ Chấn thương do sử dụng dụng cụ trong thời gian dài. Khi sử dụng bất kỳ một dụng cụ nào trong khoảng thời gian dài, bạn phải đảm bảo nghỉ giải lao thường xuyên.
- ◆ Suy giảm thính lực.
- ◆ Các mối nguy hại cho sức khỏe do hít phải nhiều bụi khi sử dụng thiết bị (chẳng hạn:- làm việc với gỗ, đặc biệt là gỗ sồi, gỗ dẻ gai và gỗ ép.)

Ký hiệu trên dụng cụ

Trên dụng cụ có những ký hiệu sau:



CẢNH BÁO! Để giảm nguy cơ chấn thương, người dùng phải đọc hướng dẫn sử dụng.

Vị trí mã vạch ngày (Hình C)

Mã ngày (12), bao gồm cả năm sản xuất, được in trên

vỏ máy.

Ví dụ:

2014 XX JN
Năm sản xuất

An toàn điện



Bộ sạc của bạn đã được cách điện kép; do vậy không cần dây nối đất. Nhớ kiểm tra xem điện áp nguồn xem có phù hợp với điện áp trên tấm định mức hay không. Phù hợp.

- ◆ Nếu dây cáp điện bị hỏng, việc thay thế phải do nhà sản xuất hoặc trung tâm bảo hành Stanley được ủy quyền thực hiện để tránh gây nguy hiểm.

Sử dụng dây nối dài

Nếu cần sử dụng dây nối dài, vui lòng sử dụng loại được phê duyệt phù hợp với thông số công suất đầu vào của dụng cụ (xem số liệu kỹ thuật). Tiết diện tối thiểu của dây dẫn là 1,5 mm². Phải gỡ những đoạn dây bị rối trước khi cuộn vào ống.

Vui lòng xem bảng sau.

Tiết diện dây (mm ²)	Dòng điện định mức của dây (Ampe)						
0,75	6						
1,00	10						
1,50	15						
2,50	20						
4,00	25						
Chiều dài dây (m)							
7,5 15 25 30 45 60							
Vôn	Ampe	Dòng điện định mức của dây (Ampe)					
115	0 - 2,0	6	6	6	6	6	10
	2,1 - 3,4	6	6	6	6	15	15
	3,5 - 5,0	6	6	10	15	20	20
	5,1 - 7,0	10	10	15	20	20	25
	7,1 - 12,0	15	15	20	25	25	-
230	12,1 - 20,0	20	20	25	-	-	-
	0 - 2,0	6	6	6	6	6	6
	2,1 - 3,4	6	6	6	6	6	6
	3,5 - 5,0	6	6	6	6	10	15
	5,1 - 7,0	10	10	10	10	15	15
7,1 - 12,0	15	15	15	15	20	20	
12,1 - 20,0	20	20	20	20	25	-	

Tính năng (Hình E)

Dụng cụ này gồm một số hoặc tất cả những tính năng sau.

1. Công tắc điều tốc
2. Núm cố định tốc độ

3. Nút chọn chức năng khoan
4. Đầu gài mũi khoan
5. Tay cầm bên
6. Thước đo độ sâu

Lắp ráp

CẢNH BÁO! Trước khi lắp ráp, đảm bảo đã tắt và rút phích nguồn của dụng cụ.

Gắn tay cầm bên (hình E)

CẢNH BÁO! Khi khoan lỗ ở bê tông hoặc gạch, vui lòng sử dụng tay cầm bên để đảm bảo an toàn.

- ◆ Xoay chốt kẹp ngược chiều kim đồng hồ tới khi nào có thể đẩy tay cầm bên lên phía trước của dụng cụ.
- ◆ Xoay tròn tay cầm bên vào vị trí mình muốn.
- ◆ Xiết chặt tay cầm bằng cách xoay chốt kẹp theo chiều kim đồng hồ.

CẢNH BÁO! Khi sử dụng dụng cụ, nhớ lắp tay cầm bên đúng cách.

Lắp phụ kiện (hình A)

- ◆ Lau và tra dầu vào cán (7) của phụ kiện.
- ◆ Lắp mũi phụ kiện vào đầu gài (4).
- ◆ Đẩy mũi phụ kiện xuống dưới và xoay nhẹ cho tới khi mũi phụ kiện khớp vào các khe.
- ◆ Kéo mũi phụ kiện ra để kiểm tra xem đã khóa chặt chưa. Chức năng đập và khoan đòi hỏi phụ kiện phải có khả năng di chuyển theo trục vài centimet khi bị khóa vào đầu gài
- ◆ Để tháo phụ kiện, kéo ngược ống nối (8) và kéo phụ kiện ra khỏi đầu gài.

Cách sử dụng

CẢNH BÁO! Vui lòng vận hành dụng cụ với mức tải thông thường. Không được chạy quá tải.

CẢNH BÁO! Trước khi khoan vào tường, sàn hay trần nhà, hãy kiểm tra vị trí lắp đặt đường dây điện và đường ống.

Lựa chọn chế độ vận hành (hình B)

Có thể sử dụng dụng cụ ở hai chế độ vận hành. Tùy theo yêu cầu công việc cụ thể, có thể xoay nút chọn chức năng khoan khoan (3) đến vị trí mong muốn.

Khoan lỗ (Hình B) (Hình F)

- ◆ Để khoan thép, gỗ và nhựa, thiết lập nút chọn chức năng khoan vận hành (3) ở vị trí **1**. Đồng thời, cần sử dụng đầu kẹp phù hợp (13) (phụ kiện tùy chọn) để kẹp mũi khoan.

- ◆ Lắp đầu kẹp mũi khoan (13) vào đầu gài của dụng cụ (4) theo hướng dẫn lắp mũi khoan. Vận đầu kẹp mũi khoan để nối lỏng các chấu kẹp tại điểm kẹp mũi khoan, sau đó lắp thanh phụ kiện (14) vào các chấu kẹp và vận đầu kẹp theo chiều ngược lại. Bạn cũng có thể sử dụng khóa đầu kẹp mũi khoan để vận chặt chấu kẹp.

Chế độ khoan búa (Hình B)

- ◆ Để khoan tường và bê tông bằng chế độ khoan búa, thiết lập nút chọn chức năng khoan vận hành (3) ở vị trí **T1**
- ◆ Mũi khoan phải được đặt đúng vào vị trí lỗ khoan. Sau đó, kéo công tắc để có được tác động tối ưu. Nhớ đặt dụng cụ ở vị trí phù hợp để tránh cho mũi khoan chệch khỏi lỗ.
- ◆ Khi lỗ khoan bị tắc bởi mảnh vụn hoặc hạt mịn, không nên tiếp tục ấn xuống nữa. Nên để dụng cụ ở trạng thái chạy tự do trước khi rút mũi khoan khỏi lỗ. Nếu lặp lại động tác đó trong vài phút, lỗ sẽ hết bị tắc và có thể tiếp tục khoan bình thường.

CẢNH BÁO! Khi mũi khoan chạm vào xi măng hoặc cốt thép trong xi măng, dụng cụ có thể giật ngược gây nguy hiểm. Luôn giữ chắc dụng cụ ở vị trí cân bằng và ổn định để tránh cho dụng cụ khỏi giật ngược gây nguy hiểm.

Thiết bị ghép nối quá tải

Nếu mũi khoan bị kẹt hoặc mắc, lực truyền tới trục máy khoan sẽ bị dừng. Việc này sẽ làm cho dụng cụ giật ngược lại rất mạnh, vì vậy cần giữ chặt dụng cụ bằng cả hai tay cố định ở vị trí chắc chắn.

Thiết lập độ sâu mũi khoan (hình E)

Chốt chặn độ sâu là tính năng thuận tiện giúp đảm bảo tính đồng đều về độ sâu mũi khoan. Nới lỏng tay cầm bên để điều chỉnh thước đo độ sâu theo mong muốn. Sau đó, vận chặt tay cầm bên.

- ◆ Nới lỏng tay cầm bên (5) bằng cách xoay chốt kẹp ngược chiều kim đồng hồ.
- ◆ Đặt chốt chặn độ sâu (6) ở vị trí mong muốn. Độ sâu khoan tối đa bằng khoảng cách từ đầu mũi khoan cho tới đầu phía trước của chốt chặn độ sâu.
- ◆ Xiết chặt tay cầm bên bằng cách xoay chốt kẹp theo chiều kim đồng hồ.

Bật và tắt

CẢNH BÁO! Trước khi cắm dụng cụ vào nguồn điện, đảm bảo công tắc có thể bật dễ dàng và có thể trở lại vị trí cũ sau khi nhả tay ra.

- ◆ Để bật dụng cụ, ấn công tắc điều chỉnh tốc độ (1). Tốc độ của dụng cụ phụ thuộc vào lực ấn công tắc của bạn.

- ♦ Thông thường, dùng tốc độ thấp đối với các mũi khoan có đường kính lớn và tốc độ cao đối với các mũi khoan có đường kính nhỏ hơn.
- ♦ Đề khoan liên tục, nhấn nút cố định tốc độ (2) và nhà công tắc điều tốc.
- ♦ Để tắt dụng cụ, nhấn công tắc điều tốc. Để tắt dụng cụ khi đang khoan ở tốc độ cố định, hãy ấn công tắc điều tốc thêm một lần nữa và nhà ra.

Phụ kiện

Hiệu suất làm việc của dụng cụ tùy thuộc vào phụ kiện được sử dụng. Phụ kiện của Stanley được chế tạo theo tiêu chuẩn chất lượng cao và được thiết kế nhằm tăng cường hiệu suất làm việc cho dụng cụ điện cầm tay. Dụng cụ của bạn sẽ phát huy tối đa hiệu quả làm việc khi sử dụng các phụ kiện này.

Bảo trì

Dụng cụ/thiết bị có dây/không dây của Stanley được thiết kế để vận hành trong thời gian dài và ít phải bảo trì nhất. Để đảm bảo vận hành dễ dàng, phải bảo trì và vệ sinh dụng cụ thường xuyên

CẢNH BÁO! Trước khi bảo dưỡng các dụng cụ điện cầm tay có dây/không dây:

- ♦ Tắt và rút dây nguồn của thiết bị/dụng cụ.
- ♦ Hoặc tắt nguồn, tháo pin và khởi thiết bị/dụng cụ nếu thiết bị/dụng cụ có pin rời.
- ♦ Hoặc chạy hết sạch pin nếu là loại pin tích hợp sẵn và sau đó tắt máy.
- ♦ Rút phích cắm bộ sạc trước khi vệ sinh. Bộ sạc không cần bảo dưỡng nhưng phải thường xuyên lau chùi.
- ♦ Thường xuyên lau chùi các khe thông gió trong thiết bị/dụng cụ/bộ sạc bằng chổi mềm hoặc khăn khô.
- ♦ Thường xuyên lau chùi vỏ động cơ bằng khăn ẩm. Không dùng chất tẩy rửa có chứa dung môi hay chất mài mòn.
- ♦ Thường xuyên mở đầu kẹp và vỗ nhẹ để trút bụi ở bên trong ra (khi lắp).

Thay chổi than (Hình D)



Bôi trơn

- ♦ Thường xuyên thay và kiểm tra chổi than. Khi bị mòn hết do sử dụng liên tục, chổi than cần phải được thay. Phải giữ cho chổi than luôn sạch sẽ và trượt dễ dàng trong giá đỡ chổi than. Phải thay cả hai chổi than cùng lúc.
- ♦ Tháo các vít cố định (9) trên chổi than để tháo chổi than (10) và giá đỡ chổi than.

- ♦ Tháo lò xo đỡ chổi than (11) trong giá đỡ chổi than và lắp chổi than mới đáp ứng thông số kỹ thuật vào.
- ♦ Lắp lại giá đỡ chổi than và lò xo đỡ về vị trí ban đầu.



Vệ sinh



CẢNH BÁO! Thường xuyên thổi bụi bẩn khỏi vỏ dụng cụ khi thấy bám bụi xung quanh các khe thông gió. Đeo kính bảo hộ và mặt nạ chống bụi được phê duyệt khi thực hiện quy trình này.



CẢNH BÁO! Tuyệt đối không sử dụng các dung môi và hóa chất mạnh để vệ sinh các bộ phận không làm bằng kim loại của dụng cụ. Những hóa chất này có thể làm tổn hại đến vật liệu của các bộ phận. Chỉ sử dụng xà bông nhẹ và miếng bọt biển để vệ sinh dụng cụ. Tuyệt đối không để chất lỏng lọt vào bên trong dụng cụ; không được ngâm các bộ phận của dụng cụ vào chất lỏng.

Bảo vệ môi trường



Thu gom riêng. Không được vứt bỏ sản phẩm này với rác thải sinh hoạt thông thường.

Nếu bạn cần thay sản phẩm Stanley của mình hoặc bạn không sử dụng nó trong tương lai nữa, đừng vứt bỏ cùng với rác thải gia đình. Hãy phân loại chúng để tái chế riêng.



Thu gom riêng sản phẩm và bao bì đóng gói đã qua sử dụng sẽ cho phép tái chế và tái sử dụng vật liệu. Tái sử dụng vật liệu tái chế giúp ngăn chặn ô nhiễm môi trường và giảm nhu cầu vật liệu thô.

Một số cơ quan địa phương có thể yêu cầu các trung tâm xử lý rác thải địa phương hoặc đô thị hay nhà bán lẻ sản phẩm mới phải cung cấp dịch vụ tái chế sản phẩm điện tử cho các hộ gia đình.

