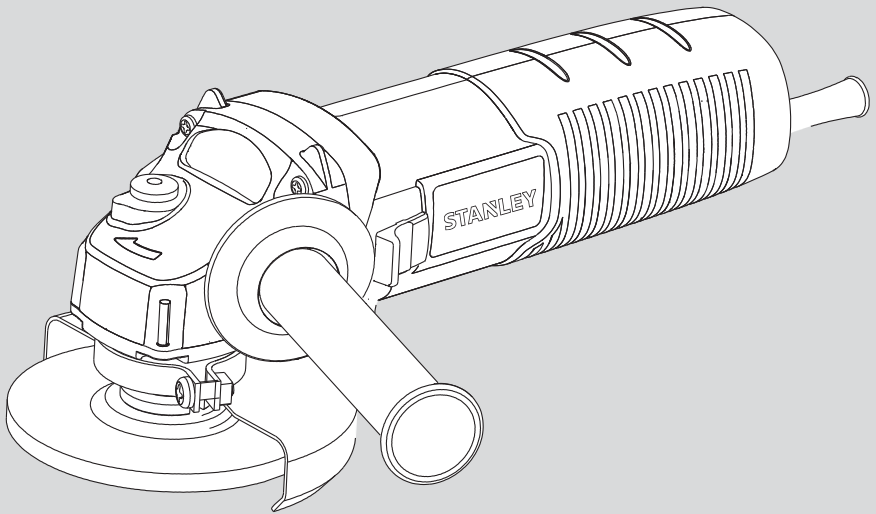


# STANLEY



**STGS7100**  
**STGS7115**

English	Page 4
French	Page 13
العربية	Page 30

Figure 1

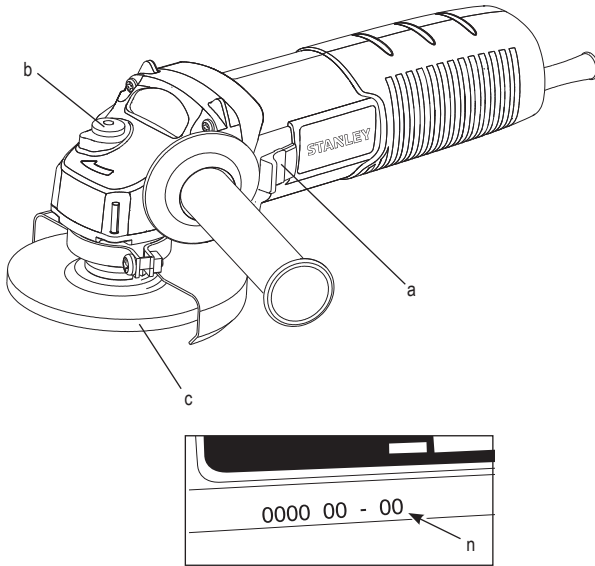


Figure 2

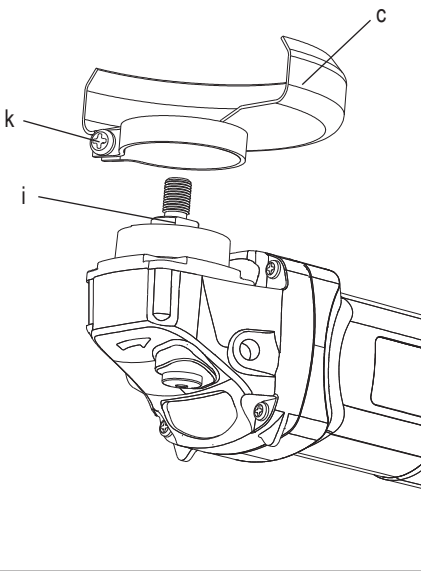


Figure 3

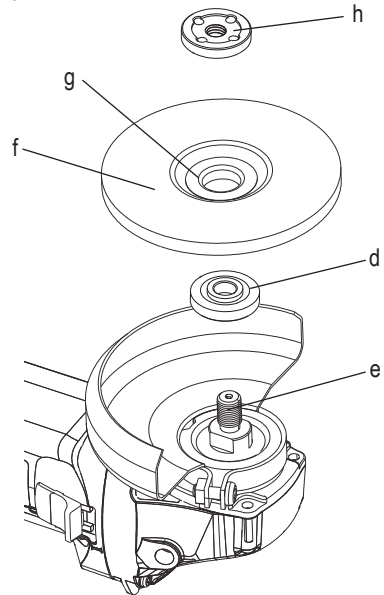


Figure 4

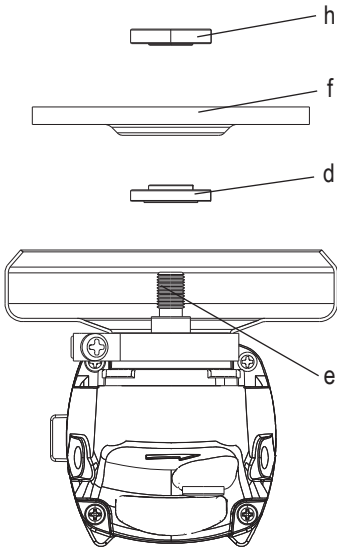


Figure 5

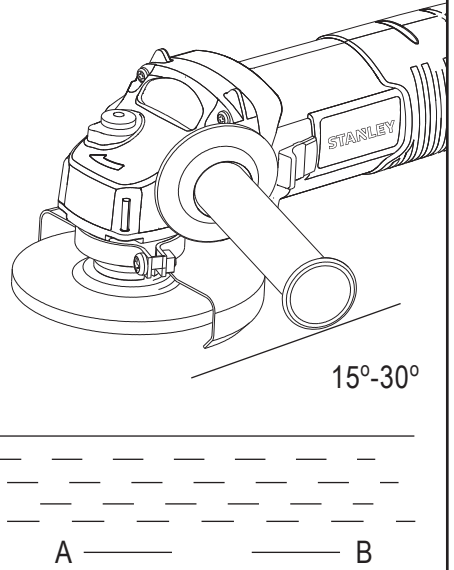
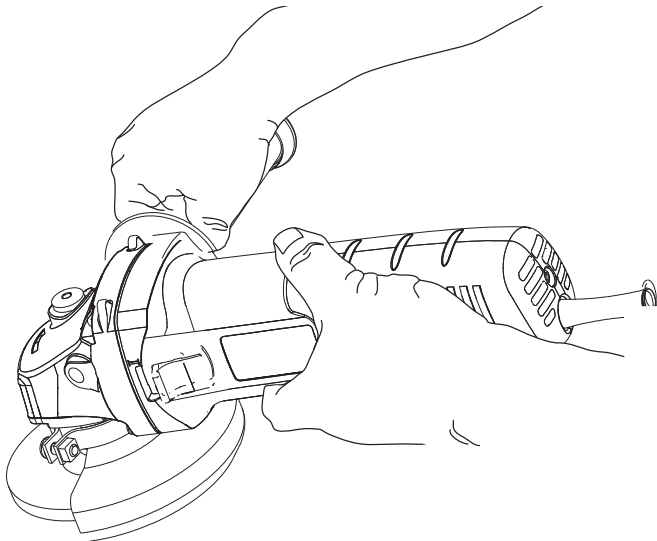


Figure 6



## Definitions: Safety Guidelines

The definitions below describe the level of severity for each signal word. Please read the manual and pay attention to these symbols.



**Danger:** Indicates an imminently hazardous situation which, if not avoided, will result in **death or serious injury**.



**Warning:** Indicates a potentially hazardous situation which, if not avoided, **could** result in **death or serious injury**.



**Caution:** Indicates a potentially hazardous situation which, if not avoided, **may** result in **minor or moderate injury**.

**Notice:** Indicates a practice **not related to personal injury** which, if not avoided, **may** result in **property damage**.



Denotes risk of electric shock.



Denotes risk of fire.



**Warning:** To reduce the risk of injury, read the instruction manual.

## General Power Tool Safety Warnings



**Warning! Read all safety warnings and all instructions.** Failure to follow the warnings and instructions may result in electric shock, fire and/or serious injury.

**Save all warnings and instructions for future reference**

The term “power tool” in the warnings refers to your mains-operated (corded) power tool or battery-operated (cordless) power tool.

### 1) Work area safety

- a) **Keep work area clean and well lit.** Cluttered or dark areas invite accidents.
- b) **Do not operate power tools in explosive atmospheres, such as in the presence of flammable liquids, gases or dust.** Power tools create sparks which may ignite the dust or fumes.

- c) **Keep children and bystanders away while operating a power tool.** Distractions can cause you to lose control.

### 2) Electrical safety

- a) **Power tool plugs must match the outlet. Never modify the plug in any way. Do not use any adapter plugs with earthed (grounded) power tools.** Unmodified plugs and matching outlets will reduce risk of electric shock.
- b) **Avoid body contact with earthed or grounded surfaces such as pipes, radiators, ranges and refrigerators.** There is an increased risk of electric shock if your body is earthed or grounded.
- c) **Do not expose power tools to rain or wet conditions.** Water entering a power tool will increase the risk of electric shock.
- d) **Do not abuse the cord. Never use the cord for carrying, pulling or unplugging the power tool. Keep cord away from heat, oil, sharp edges or moving parts.** Damaged or entangled cords increase the risk of electric shock.
- e) **When operating a power tool outdoors, use an extension cord suitable for outdoor use.** Use of a cord suitable for outdoor use reduces the risk of electric shock.
- f) **If operating a power tool in a damp location is unavoidable, use a residual current device (RCD) protected supply.** Use of an RCD reduces the risk of electric shock.

### 3) Personal safety

- a) **Stay alert, watch what you are doing and use common sense when operating a power tool. Do not use a power tool while you are tired or under the influence of drugs, alcohol or medication.** A moment of inattention while operating power tools may result in serious personal injury.
- b) **Use personal protective equipment. Always wear eye protection.** Protective equipment such as dust mask, non-skid safety shoes, hard hat, or hearing protection used for appropriate conditions will reduce personal injuries.

- c. **Prevent unintentional starting. Ensure the switch is in the off-position before connecting to power source and/or battery pack, picking up or carrying the tool.** Carrying power tools with your finger on the switch or energising power tools that have the switch on invites accidents.
  - d. **Remove any adjusting key or wrench before turning the power tool on.** A wrench or a key left attached to a rotating part of the power tool may result in personal injury.
  - e. **Do not overreach. Keep proper footing and balance at all times.** This enables better control of the power tool in unexpected situations.
  - f. **Dress properly. Do not wear loose clothing or jewellery. Keep your hair, clothing and gloves away from moving parts.** Loose clothes, jewellery or long hair can be caught in moving parts.
  - g. **If devices are provided for the connection of dust extraction and collection facilities, ensure these are connected and properly used.** Use of these devices can reduce dust related hazards.
- 4. Power tool use and care**
- a. **Do not force the power tool. Use the correct power tool for your application.** The correct power tool will do the job better and safer at the rate for which it was designed.
  - b. **Do not use the power tool if the switch does not turn it on and off.** Any power tool that cannot be controlled with the switch is dangerous and must be repaired.
  - c. **Disconnect the plug from the power source and/or the battery pack from the power tool before making any adjustments, changing accessories, or storing power tools.** Such preventive safety measures reduce the risk of starting the power tool accidentally.
  - d. **Store idle power tools out of the reach of children and do not allow persons unfamiliar with the power tool or these instructions to operate the power tool.** Power tools are dangerous in the hands of untrained users.
  - e. **Maintain power tools. Check for misalignment or binding of moving parts, breakage of parts and any other condition that may affect the power tools operation. If damaged, have the power tool repaired before use.** Many accidents are caused by poorly maintained power tools.
  - f. **Keep cutting tools sharp and clean.** Properly maintained cutting tools with sharp cutting edges are less likely to bind and are easier to control.
  - g. **Use the power tool, accessories and tool bits etc., in accordance with these instructions, taking into account the working conditions and the work to be performed.** Use of the power tool for operations different from those intended could result in a hazardous situation.
- 5. Service**
- a. **Have your power tool serviced by a qualified repair person using only identical replacement parts.** This will ensure that the safety of the power tool is maintained.

## Additional specific safety rules

### Safety Instructions for All Operations

#### Safety Warnings Common for Grinding

- a) **This power tool is intended to function as a grinder. Read all safety warnings, instructions, illustrations and specifications provided with this power tool.** Failure to follow all instructions listed below may result in electric shock, fire and/or serious injury.
- b) **Operations such as cutting-off, sander, wire brush or polisher are not recommended to be performed with this power tool.** Operations for which the power tool was not designed may create a hazard and cause personal injury.
- c) **Do not use accessories which are not specifically designed and recommended by the tool manufacturer.** Just because the accessory can be attached to your power tool, it does not assure safe operation.
- d) **The rated speed of the accessory must be at least equal to the maximum speed marked on the power tool.** Accessories running faster than their rated speed can break and fly apart.

- e) **The outside diameter and the thickness of your accessory must be within the capacity rating of your power tool.** Incorrectly sized accessories cannot be adequately guarded or controlled.
- f) **Threaded mounting of accessories must match the grinder spindle thread. For accessories mounted by flanges, the arbour hole of the accessory must fit the locating diameter of the flange.** Accessories that do not match the mounting hardware of the power tool will run out of balance, vibrate excessively and may cause loss of control.
- g) **Do not use a damaged accessory. Before each use inspect the accessory such as abrasive wheel for chips and cracks, backing pad for cracks, tear or excess wear, wire brush for loose or cracked wires. If power tool or accessory is dropped, inspect for damage or install an undamaged accessory. After inspecting and installing an accessory, position yourself and bystanders away from the plane of the rotating accessory and run the power tool at maximum no-load speed for one minute.** Damaged accessories will normally break apart during this test time.
- h) **Wear personal protective equipment. Depending on application, use face shield, safety goggles or safety glasses. As appropriate, wear dust mask, hearing protectors, gloves and workshop apron capable of stopping small abrasive or workpiece fragments.** The eye protection must be capable of stopping flying debris generated by various operations. The dust mask or respirator must be capable of filtrating particles generated by your operation. Prolonged exposure to high intensity noise may cause hearing loss.
- i) **Keep bystanders a safe distance away from work area. Anyone entering the work area must wear personal protective equipment.** Fragments of workpiece or of a broken accessory may fly away and cause injury beyond immediate area of operation.
- j) **Hold the power tool by insulated gripping surfaces only, when performing an operation where the cutting accessory may contact hidden wiring or its own cord.** Cutting accessory contacting a "live" wire may make exposed metal parts of the power tool "live" and could give the operator an electric shock.
- k) **Position the cord clear of the spinning accessory.** If you lose control, the cord may be cut or snagged and your hand or arm may be pulled into the spinning accessory.
- l) **Never lay the power tool down until the accessory has come to a complete stop.** The spinning accessory may grab the surface and pull the power tool out of your control.
- m) **Do not run the power tool while carrying it at your side.** Accidental contact with the spinning accessory could snag your clothing, pulling the accessory into your body.
- n) **Regularly clean the power tool's air vents.** The motor's fan will draw the dust inside the housing and excessive accumulation of powdered metal may cause electrical hazards.
- o) **Do not operate the power tool near flammable materials.** Sparks could ignite these materials.
- p) **Do not use accessories that require liquid coolants.** Using water or other liquid coolants may result in electrocution or shock.

## Further safety instructions for all operations

### Kickback and Related Warnings

Kickback is a sudden reaction to a pinched or snagged rotating wheel, backing pad, brush or any other accessory. Pinching or snagging causes rapid stalling of the rotating accessory which in turn causes the uncontrolled power tool to be forced in the direction opposite of the accessory's rotation at the point of the binding.

For example, if an abrasive wheel is snagged or pinched by the workpiece, the edge of the wheel that is entering into the pinch point can dig into the surface of the material causing the wheel to climb out or kick out. The wheel may either jump toward or away from the operator, depending on direction of the wheel's movement at the point of pinching. Abrasive wheels may also break under these conditions.

Kickback is the result of tool misuse and/or incorrect operating procedures or conditions and can be avoided by taking proper precautions as given below:

- a) **Maintain a firm grip on the power tool and position your body and arm to allow you to resist kickback forces. Always use auxiliary handle, if provided, for maximum control over kickback or torque reaction during start up.** The operator can control torque reaction or kickback forces, if proper precautions are taken.
- b) **Never place your hand near the rotating accessory.** Accessory may kickback over your hand.
- c) **Do not position your body in the area where power tool will move if kickback occurs.** Kickback will propel the tool in direction opposite to the wheel's movement at the point of snagging.
- d) **Use special care when working corners, sharp edges etc. Avoid bouncing and snagging the accessory.** Corners, sharp edges or bouncing have a tendency to snag the rotating accessory and cause loss of control or kickback.
- e) **Do not attach a saw chain woodcarving blade or toothed saw blade.** Such blades create frequent kickback and loss of control.

### Safety warnings specific for grinding operations

- a) **Use only wheel types that are recommended for your power tool and the specific guard designed for the selected wheel.** Wheels for which the power tool was not designed cannot be adequately guarded and are unsafe.
- b) **The guard must be securely attached to the power tool and positioned for maximum safety, so the least amount of wheel is exposed towards the operator.** The guard helps to protect operator from broken wheel fragments and accidental contact with wheel and sparks that could ignite clothing.
- c) **Wheels must be used only for recommended applications. For example: do not grind with the side of cut-off wheel.** Abrasive cut-off wheels are intended for peripheral grinding, side forces applied to these wheels may cause them to shatter.
- d) **Always use undamaged wheel flanges that are of correct size and shape for your selected wheel.** Proper wheel flanges support the wheel thus reducing

the possibility of wheel breakage. Flanges for cut-off wheels may be different from grinding wheel flanges.

- e) **Do not use worn down wheels from larger power tools.** Wheel intended for larger power tool is not suitable for the higher speed of a smaller tool and may burst.
- f) **The grinding surface of centre depressed wheels must be mounted below the plane of the guard lip.** An improperly mounted wheel that projects through the plane of the guard lip cannot be adequately protected.

### Residual Risks






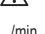

In spite of the application of the relevant safety regulations and the implementation of safety devices, certain residual risks cannot be avoided.

These are:

- Impairment of hearing
- Risk of personal injury due flying particles.
- Risk of burns due to accessories becoming hot during operation.
- Risk of personal injury due to prolonged use.
- Risk of dust from hazardous substances.

### Labels on tool

The label on your tool may include the following symbols:

	Read Instructions Manual	Hz ..... Hertz		Class II Construction
	Use Eye Protection	W ..... Watts		Earthing Terminal
	Use Ear Protection	min ..... minutes		Safety Alert Symbol
			...../min..	Revolutions or Reciprocation per minute
	V ..... Volts	==== Direct Current		
	A ..... Amperes	n <sub>0</sub> ..... No-Load Speed		

### Position of date barcode

The Date Code, which also includes the year of manufacture, is printed into the housing.

Example:

2014 XX JN  
Year of manufacturing

## Package Content

This product package includes:

- 1 Angle grinder
  - 1 Guard
  - 1 Flange set
  - 1 Spanner
  - 1 Handle
  - 1 Instruction manual
- Check the tool, parts, and accessories to see if they are damaged during transportation.
  - Take a few moments to read and understand this manual before using the tool.

## Description (Fig. 1)



**Warning:** Never modify the power tool or any part of the tool, otherwise it may cause damage to the tool or result in personal injury.

- a. ON/OFF switch
- b. Spindle lock
- c. Guard

## Purpose of Design

This angle grinder is designed especially for grinding.

**Do not** use sandpaper discs and grinding wheels other than those with depressed center.

**Do not** use the tool in wet conditions or environments in the presence of flammable liquids or gases.

This heavy-duty angle grinder is a professional power tool.

**Do not** allow children to come in contact with this tool. Inexperienced operators are required to use this tool under supervision.

## Electrical Equipment Safety

Only one voltage is applicable to this tool. Be sure to check that the power supply corresponds to the voltage on the rating plate.



Your Stanley tool is equipped with double insulation, hence, it does not require to be earthed.

When the power cord is damaged, have it sent to a Stanley service center for replacement to specially prepared cables.

## Using Extension Cords

If an extension cord is required, please select extension cord that has been inspected and matches the input power (see Technical Data) of this tool. The minimum conductor size is 1.5mm<sup>2</sup>, maximum length is 30 meters.

When using a cable reel, be sure to pull out all the cables.

## Assembly and Adjustment



**Warning:** To minimize the danger of serious personal injury, please switch off the tool power and disconnect all plugs before adjusting or removing/installing any accessory. Before reassembling the tool, press and release the trigger switch to make sure the tool is already switched off.

## Attaching and Removing the Wheel Guard (Fig. 2)

**Warning:** To minimize the danger of serious personal injury, please switch off the tool power and disconnect all plugs before adjusting or removing/installing any accessory. Before reassembling the tool, press and release the trigger switch to make sure the tool is already switched off.



## Attaching the Guard

1. Place the angle grinder on a work bench, groove facing up.
2. Bring the flange of the guard (c) collar over the groove (i) of the gear housing.
3. Turn the guard (c) counterclockwise by 150 degrees.
4. Make sure that the screws (k) are tightened.

## Removing the Guard

1. Loosen the screws (k) on the guard collar.
2. Pull up the guard (c).



**Warning:** Do not operate the tool when the safety guard is not in place.

**Note:** Refer to the grinding accessories chart at the end of this section for accessories that can be used together with this angle grinder.

## Attaching and Removing Grinding Wheels (Fig. 3, 4)



**Warning:** Do not use damaged grinding wheels.

1. Place the tool on a work bench, groove facing up.
2. Attach the inner flange (d) correctly on the output shaft (e) (Fig. 3).
3. Place the grinding wheel (f) on the inner flange (d). When attaching a grinding wheel with a raised center, make sure that the raised center (g) faces the inner flange (d).
4. Tighten the outer flange (h) until the output shaft (e) (Fig. 4). When attaching the grinding wheel, the ring on top of the outer flange (h) must face the wheel.
5. Press the spindle lock (b) and prevent the spindle (e) from rotating until it locks in place.

6. Use the pin spanner to tighten the outer flange (h).

## Preparation Before Use

- Attach the safety guard and appropriate abrasive or grinding wheels. Do not use abrasive or grinding wheels that are overly worn.
- Make sure that the inner and outer flanges are attached correctly.
- Make sure that the abrasive or grinding wheels are rotating in the direction of the arrows on the accessories and tool.

## Operation (Fig. 5)

### Instructions



**Warning:** Always observe the safety instructions and applicable regulations.



**Warning:** To minimize the danger of serious personal injury, please switch off the tool power and disconnect all plugs before adjusting or removing/installing any accessory. Before reassembling the tool, press and release the trigger switch to make sure the tool is already switched off.



**Warning:**

- Make sure all materials to be grinded are secured in position.
  - Apply slight pressure to the tool. Do not apply side pressure to the abrasive disc.
  - Avoid overloading. If the tool becomes hot, let it spin for a few minutes with no load.
1. Be sure to hold the tool tightly with both hands (one hand on housing, the other on side handle). Start the tool and bring the grinding wheel on the workpiece.

2. Keep the edge of the wheel tilted at angle from 15 to 30 degrees against the surface of the workpiece.
3. When using a new grinding wheel, do not operate the wheel in the B direction, otherwise, it will cut into the workpiece. When the edge of wheel has been rounded off, you are free to operate the grinder in either the A or B direction.

### Starting and Stopping (Fig. 1)



**Warning:** Before using the tool, check whether the handle is tightened securely. Check whether the ON/OFF switch is working normally.

Before plugging in the tool to the power supply, check whether the switch is in the OFF (o) position when pressing the rear end of the switch.

To start the tool, press the rear end of the switch and slide it forward. Then press the front end of the switch to lock it. Press the rear end of the switch to stop the tool.



**Warning:** Do not switch the tool on or off while under load conditions.

### Proper Hand Position (Fig. 6)



**Warning:** To reduce the risk of serious personal injury, ALWAYS use proper hand position as shown.



**Warning:** To reduce the risk of serious personal injury, ALWAYS hold securely in anticipation of a sudden reaction.

Proper hand position requires one hand on the side handle (figure 1), with the other hand on the body of the tool, as shown in figure 6.

### Switches



**Caution:** Hold the body of the tool firmly to maintain control of the tool at start up and during use and until the wheel or accessory stops rotating. Make sure the wheel has come to a

complete stop before laying the tool down.

**Note:** To reduce unexpected tool movement, do not switch the tool on or off while under load conditions. Allow the

grinder to run up to full speed before touching the work surface. Lift the tool from the surface before turning the tool off. Allow the tool to stop rotating before putting it down.

### Slider switch (Fig. 1)

**Warning:** Before connecting the tool to a power supply, be sure the slider switch is in the off position by pressing the rear part of the switch and releasing. Ensure the slider switch is in the off position as described above after any interruption in power supply to the tool, such as the activation of a ground fault interrupter, throwing of a circuit breaker, accidental unplugging, or power failure. If the slider switch is locked on when the power is connected, the tool will start unexpectedly..

To start the tool, slide the slider switch (a) toward the front of the tool. To stop the tool, release the slider switch. For continuous operation, slide the switch toward the front of the tool and press the forward part of the switch inward. To stop the tool while operating in continuous mode, press the rear part of the slider switch and release.

### Spindle lock (Fig. 1)

The spindle lock (b) prevents the output shaft from rotating when attaching or removing the grinding wheel. Only use the spindle lock when the tool is switched off, power is unplugged, and wheel stops completely.



**Note:** To minimize tool damages, don't use the spindle lock when the tool is operating.

Otherwise, it may damage the tool. The attached accessories may come off and cause injury.

If using the spindle lock, press the spindle lock button and rotate the output shaft until it stops.

### Application on Metals

When applying the tool on metals, make sure that a residual-current device (RCD) is inserted to prevent danger from metal chips.

If the RCD causes power disconnection, have the tool sent to an authorized Stanley dealer for repair.



**Warning:** Under extreme working conditions, conductive dust and grit may accumulate on the housing interior when handling metal workpieces.

This could create an electric shock hazard as it weakens the protective insulation in the grinder.

To avoid accumulation of metal chips in the interior of the grinder, we recommend cleaning the ventilation ducts daily. Refer to Maintenance.

## Using Grinding Wheels



**Warning:** Metal powder accumulates. Excessive use of the grinding wheel on metals may increase the risk of electric shock. To reduce the

risk, insert the RCD before use and clean the ventilation ducts daily. Follow the maintenance instructions below to blow dry compressed air into the ventilation ducts.

## Maintenance

Stanley power tools have been designed to operate over a long period of time with minimal maintenance. Continuous satisfactory operation depends upon proper tool care and regular cleaning.



**Warning: To minimize the danger of serious personal injury, please switch off the tool power and disconnect all plugs before**

**adjusting or removing/installing any accessory.** Before reassembling the tool, press and release the trigger switch to make sure the tool is already switched off.



## Lubrication

This power tool does not require separate lubrication.



## Cleaning



**Warning:** Once visible dust accumulates on the ventilation ducts and the surrounding, immediately use dry air to blow away dust and

grit out of the interior of the housing. You need to wear

approved eye and facial protective gear when performing this process.



**Warning:** Never use solvents or harsh chemicals to clean non-metal parts of the material of the parts. Use only mild soap and damp cloth to clean the tool. Never let any liquid get inside the tool; never immerse any part of the tool into liquid.

## Accessories



**Warning:** Excluding accessories provided by Stanley, all other accessories have not been tested for product compatibility. Using such accessories together with this tool may cause safety hazards. To minimize the risk of personal injury, we recommend you to use only Stanley accessories with this product.

Please inquire at your dealer for more information regarding suitable accessories.

## Technical Data

		STGS7100	STGS7115
Input Voltage	V <sub>ac</sub>	220-240	220-240
Power input	W	710	710
Frequency	Hz	50/60	50/60
No-load speed/rated speed	min <sup>-1</sup>	11,000	11,000
Wheel diameter	mm	100	115
Spindle size		M10	M14
Max disc thickness			
Grinding discs	mm	6	6
Weight	kg	1.8	1.9

## Protecting the environment



Separate collection. This product must not be disposed of with normal household waste.

Should you find one day that your Stanley product needs replacement, or if it is of no further use to you, do not dispose of it with household waste. Make this product available for separate collection.



Separate collection of used products and packaging allows materials to be recycled and used again. Re-use of recycled materials helps prevent

environmental pollution and reduces the demand for raw materials.

Local regulations may provide for separate collection of electrical products from the household, at municipal waste sites or by the retailer when you purchase a new product. Stanley provides a facility for the collection and recycling of Stanley products once they have reached the end of their working life. To take advantage of this service please return your product to any authorised repair agent who will collect them on our behalf.

You can check the location of your nearest authorised repair agent by contacting your local Stanley office at the address indicated in this manual. Alternatively, a list of authorised Stanley repair agents and full details of our after-sales service and contacts are available on the Internet at: [www.2helpU.com](http://www.2helpU.com)

## One year warranty

If your Stanley product becomes defective due to faulty materials or workmanship within 12 months from the date of purchase, Stanley Europe guarantees to replace all defective parts free of charge or – at our discretion – replace the unit free of charge provided that:

- The product has not been misused and has been used in accordance with the instruction manual.
- The product has been subject to fair wear and tear;
- Repairs have not been attempted by unauthorised persons;
- Proof of purchase is produced.
- The Stanley product is returned complete with all original components

If you wish to make a claim, contact your seller or check the location of your nearest authorised Stanley repair agent in the Stanley catalogue or contact your local Stanley office at the address indicated in this manual. A list of authorised Stanley repair agents and full details of our after sales service is available on the internet at: [www.stanleytools.com](http://www.stanleytools.com)

## Définitions: Consignes de sécurité

Les définitions données ci-dessous décrivent le niveau de gravité pour chaque symbole. Veuillez lire ce manuel et prêter attention à ces symboles.



**Danger:** Indique une situation extrêmement dangereuse qui, si elle n'est pas évitée, aura pour conséquence des **blessures corporelles graves ou mortelles**.



**Attention:** Indique une situation potentiellement dangereuse qui, si elle n'est pas évitée, aura pour conséquence des **blessures corporelles graves ou mortelles**.



**Avertissement:** Indique une situation potentiellement dangereuse qui, si elle n'est pas évitée, aura pour conséquence des **blessures corporelles légères ou de gravité modérée**.

**Avis:** Indique une pratique **non reliée à des blessures corporelles** qui, si elle n'est pas évitée, aura pour conséquence des **dommages matériels**.



Indique un risque de choc électrique.



Indique un risque d'incendie.



**Attention :** Pour réduire le risque de blessures corporelles, lire ce manuel d'instructions.

**Consignes générales de sécurité concernant les outils électroportatifs**



**Attention! Lire avec attention tous les avertissements et toutes les instructions.** Le non-respect des avertissements et des instructions indiquées ci-dessous peut entraîner un choc électrique, un incendie et/ou des blessures graves

**Conservez ces consignes et ces instructions pour référence ultérieure.**

La notion "d'outil électroportatif" mentionnée par la suite se rapporte à des outils électriques raccordés au secteur (avec câble) ou fonctionnant avec piles (sans fil).

### 1. Sécurité de la zone de travail

- Maintenir la zone de travail propre et bien éclairée.** Un lieu de travail en désordre ou mal éclairé augmente le risque d'accidents.
- Ne pas utiliser d'outils électroportatifs dans un environnement présentant des risques d'explosion**

**ni en présence de liquides, gaz ou poussières inflammables.** Les outils électroportatifs génèrent des étincelles risquant d'enflammer les poussières ou les vapeurs.

- Pendant l'utilisation d'un outil électroportatif, les enfants et autres personnes présentes doivent rester éloignés.** En cas d'inattention, vous risquez de perdre le contrôle de l'outil.

### 2. Sécurité électrique

- La fiche de l'outil électrique doit être compatible avec la prise d'alimentation, Ne modifiez la fiche en aucun cas. N'utilisez pas d'adaptateurs avec des outils ayant une prise de terre.** Le respect de ces consignes réduit le risque de choc électrique.
- Eviter le contact physique avec des surfaces mises à la terre telles que tuyaux, radiateurs, fours et réfrigérateurs.** Le risque de choc électrique augmente si votre corps est relié à la terre.
- Ne pas exposer les outils électroportatifs à la pluie ou à l'humidité.** La pénétration d'eau dans un outil électroportatif augmente le risque de choc électrique.
- Ne pas maltraiter le câble d'alimentation. Ne jamais utiliser le câble pour porter l'outil, et ne le tirez pas pour débrancher l'outil. Maintenir le câble éloigné des sources de chaleur, de la graisse, des bords coupants et des pièces en rotation.** Un câble endommagé ou emmêlé augmente le risque de choc électrique.
- Lorsque vous utilisez l'outil électroportatif à l'extérieur, utilisez une rallonge homologuée pour une utilisation à l'extérieur.** L'utilisation d'une rallonge électrique homologuée pour les travaux à l'extérieur réduit le risque de choc électrique.
- Si l'outil doit être utilisé dans un endroit humide, utilisez un dispositif différentiel à courant résiduel (DDR).** L'utilisation d'un tel dispositif réduit le risque de choc électrique.

### 3. Sécurité personnelle

- Restez vigilant, surveillez ce que vous faites et faites preuve de bon sens quand vous utilisez un outil. N'utilisez pas un outil électroportatif lorsque vous êtes fatigué ou après avoir consommé de l'alcool ou pris des médicaments.** Un moment d'inattention en utilisant l'outil peut entraîner de graves blessures.
- Portez un équipement de protection. Portez toujours des lunettes de protection. Selon le travail à effectuer, le port d'un équipement de protection tel que masque anti-poussières, chaussures de sécurité antidérapantes, casque ou protection auditive, réduit le risque de blessures.**

c. Évitez tout démarrage imprévu. L'interrupteur de l'outil doit être en position d'arrêt (off) avant d'effectuer le branchement à l'alimentation et/ou au bloc batterie, de ramasser l'outil ou de le porter. Porter ou brancher un outil électrique dont l'interrupteur est en position Marche (on) est une invite à l'accident.

d. Retirez les outils ou les clés de réglage avant de mettre l'outil en marche. Une clé ou un outil se trouvant sur une partie en rotation peut causer des blessures.

e. Adoptez une position confortable. Adoptez une position stable et gardez votre équilibre en permanence. Vous contrôlerez mieux l'outil dans des situations inattendues.

f. Portez des vêtements appropriés. Ne portez pas de vêtements amples ou de bijoux. N'approchez pas les cheveux, vêtements ou gants des pièces en mouvement. Les vêtements amples, les bijoux ou les cheveux longs peuvent s'accrocher dans les pièces en mouvement.

g. En cas d'utilisation d'appareils servant à aspirer ou à recueillir les poussières, assurez-vous qu'ils sont correctement raccordés et utilisés. L'utilisation de tels dispositifs réduit les dangers dus aux poussières.

#### 4. Utilisation des outils électroportatifs et précautions

a. Respectez la capacité de l'outil. Utilisez l'outil approprié pour le travail à effectuer. Avec un outil approprié, vous travaillerez mieux et en toute sécurité.

b. N'utilisez pas un outil électroportatif dont l'interrupteur marche/arrêt est défectueux. Un outil électroportatif qui ne répond pas à la commande marche/arrêt est dangereux et doit être réparé.

c. Retirez la fiche de la prise de courant et/ou débranchez le bloc-batterie avant d'effectuer des réglages, de changer les accessoires ou de ranger l'outil. Cette mesure de précaution empêche de mettre l'outil en marche accidentellement.

d. Rangez les outils électroportatifs hors de la portée des enfants et les personnes ne connaissant pas l'outil ne doivent en aucun cas l'utiliser. Les outils électroportatifs sont dangereux lorsqu'ils sont utilisés par des personnes non initiées.

e. Entretenez les outils électroportatifs. Vérifiez que les parties en mouvement fonctionnent correctement et qu'elles ne sont pas coincées. Vérifiez qu'il n'y a pas

de pièces cassées ou endommagées susceptibles de nuire au bon fonctionnement de l'outil. S'il est endommagé, faites réparer l'outil avant de l'utiliser. De nombreux accidents sont la conséquence d'outils mal entretenus.

f. Les outils de coupe doivent toujours être aiguisés et propres. Des outils soigneusement entretenus avec des bords tranchants bien aiguisés se coincent moins souvent et peuvent être guidés plus facilement.

g. Utilisez l'outil électroportatif, les accessoires et les forets, etc., conformément à ces instructions, en tenant compte des conditions de travail et des tâches à effectuer. L'utilisation des outils électroportatifs à d'autres fins que celles prévues peut entraîner des situations dangereuses

#### 5. Réparations

a. Faites réparer votre outil électroportatif uniquement par du personnel qualifié et seulement avec des pièces de rechange appropriées. Cela garantira le maintien de la sécurité de votre outil.

### Consignes de sécurité spécifiques supplémentaires

#### Consignes de sécurité pour l'ensemble des opérations

##### Conseils de sécurité courants pour le meulage

a. Cet outil électroportatif est conçu pour être utilisé comme meuleuse. Lire avec attention tous les avertissements, les instructions, les illustrations et les spécifications données avec cet outil. Le non-respect des instructions indiquées ci-dessous peut entraîner un choc électrique, un incendie et/ou de graves blessures.

b. Cet outil n'est pas recommandé pour des opérations telles que scier, poncer, nettoyer avec une brosse métallique ou polir. L'utilisation à d'autres fins que celles prévues présente un danger et peut causer des blessures graves.

c. Seuls les accessoires spécialement conçus et recommandés par le fabricant doivent être utilisés. Même si un accessoire peut être fixé à l'outil, cela ne signifie pas que votre outil fonctionnera en toute sécurité.

d. La vitesse nominale des accessoires doit être au moins égale à la vitesse maximale inscrite sur l'outil. Les accessoires dont la rotation est plus rapide que leur vitesse nominale peuvent se briser et éclater en plusieurs morceaux.

- e. **La dimension de l'alésage central des disques, des brides, du plateau porte-disques ou autres accessoires doit correspondre exactement à la broche de l'outil.** Les accessoires avec un alésage central qui ne correspond pas au matériel de fixation de l'outil peuvent être difficiles à contrôler. Le niveau de vibrations peut augmenter, ce qui peut causer la perte du contrôle.
- f) **Pour le montage tarudé d'un accessoire, les filetages de l'accessoire et de l'arbre de la meuleuse doivent correspondre. Pour les accessoires maintenus par des flasques, le trou d'alésage de l'accessoire doit correspondre au diamètre et position des flasques.** Les accessoires qui ne correspondent pas au matériel de montage de l'outil électroportatif sont déséquilibrés pendant le fonctionnement, vibrent excessivement et peuvent entraîner la perte de contrôle.
- g. **Portez un équipement de protection. En fonction du travail à effectuer, utilisez un masque ou des lunettes de protection. Le cas échéant, portez un masque anti-poussières, des protections auditives, des gants et un tablier de travail afin de vous protéger des éventuels éclats.** En protégeant vos yeux, vous éviterez les éclats créés pendant le travail. En portant un masque anti-poussières, vous éviterez de respirer les particules créées pendant le travail. Une exposition prolongée aux bruits trop puissants peut entraîner la perte de l'ouïe.
- h. **Pour le maintien de la sécurité, éloignez les personnes autour de la zone de travail. Toute personne entrant dans la zone de travail doit porter un équipement de protection.** Des éclats de la pièce usinée ou d'un accessoire cassé peuvent être projetés au-delà de la zone de travail et causer des blessures.
- i. **Tenez l'outil uniquement au niveau des surfaces isolées, lorsque vous effectuez un travail qui pourrait mettre l'accessoire de coupe en contact avec des fils cachés ou son propre câble.** En touchant un fil sous tension, la charge électrique passe dans les parties métalliques de l'outil électroportatif et il y a risque de choc électrique.
- j. **Eloignez le câble des accessoires en rotation. Si vous perdez le contrôle, le câble peut être coupé ou s'accrocher et votre main ou votre bras peut se trouver entraîné dans l'accessoire en rotation.**
- k. **Ne posez jamais l'outil avant l'arrêt complet de l'accessoire.** L'accessoire en rotation peut s'accrocher à la surface, ce qui vous ferait perdre le contrôle de l'outil.
- l. **Ne mettez pas l'outil en marche en le portant.** L'accessoire en rotation peut attraper vos vêtements et vous blesser.
- m. **Nettoyez régulièrement les fentes d'aération de l'outil.** Le ventilateur de l'outil entraîne la poussière à l'intérieur de l'outil et une accumulation excessive de la poudre de métal peut causer des accidents liés à l'électricité.
- n. **Ne faites pas fonctionner l'outil à proximité de matières inflammables.** Les étincelles risquent d'enflammer ces matières.
- o. **N'utilisez pas d'accessoires nécessitant un liquide de refroidissement.** L'utilisation d'eau ou d'un autre liquide de refroidissement peut entraîner un choc électrique ou une électrocution.
- p. **N'utilisez pas de disques de Type 11 (conique) sur cet outil.** L'utilisation d'accessoires inappropriés peut causer des blessures.

## Consignes de sécurité supplémentaires pour l'ensemble des opérations

### Effet de retour et avertissements

L'effet de retour est une réaction soudaine d'un disque en rotation, d'un plateau porte-disques ou de tout autre accessoire coincé ou accroché. Ce genre de problème arrête rapidement l'accessoire de rotation.

L'outil devient alors incontrôlable et est entraîné en direction inverse de la rotation. Par exemple, si un disque polisseur est accroché ou coincé par la pièce à usiner, le bord du disque qui se trouve au point de pincement peut creuser la surface du matériau, ce qui provoque une mauvaise rotation du disque. Le disque peut être éjecté vers l'utilisateur ou à l'opposé selon la direction du mouvement du disque au point de pincement. Les disques polisseurs peuvent aussi se casser dans ce type de situation.

L'effet de retour est le résultat d'une utilisation inappropriée de l'outil voire de procédures ou de conditions d'utilisation incorrectes. Ceci peut être évité en appliquant les précautions adéquates, décrites ci-dessous:

- a. **En maintenant fermement l'outil, placez votre corps et votre bras de manière à pouvoir résister à la puissance du moteur. Utilisez toujours la poignée auxiliaire lorsqu'elle est fournie, pour contrôler au maximum l'effet de retour ou la réaction de couple au démarrage.** L'utilisateur peut contrôler les réactions de couple ou les forces de retour, si les précautions nécessaires sont prises.
- b. **Ne placez jamais votre main à côté de l'accessoire en rotation.** L'accessoire peut se retourner sur votre main.
- c. **Ne vous placez pas dans la zone de déplacement de l'outil si un effet de retour se produit.** L'effet de retour pousse l'outil dans la direction opposée au mouvement du disque au point d'accrochage.
- d. **Prenez les précautions nécessaires pour travailler dans les coins, les arêtes vives, etc. Évitez de coincer ou de faire rebondir l'accessoire.** Les coins, les arêtes vives ou les à-coups ont tendance à coincer l'accessoire en rotation et à causer la perte de contrôle ou un effet de retour.
- e. **Ne fixez pas une lame de sculpture ou une lame de scie dentée.** Ce genre de lames crée fréquemment un effet de retour et la perte du contrôle.

### Conseils de sécurité spécifiques pour les opérations de meulage

- a) **N'utilisez que les types de disque recommandés pour votre outil et la protection spécifique au disque sélectionné.** Les disques destinés à d'autres outils ne peuvent être protégés correctement et par conséquent sont dangereux.
- b) **La protection doit être correctement fixée à l'outil, en exposant le disque le moins possible vers l'utilisateur pour le protéger au maximum.** La protection permet de protéger l'utilisateur des éclats, d'un contact accidentel avec le disque et des étincelles qui pourraient enflammer les vêtements.
- c) **Les disques ne doivent être utilisés que pour les applications recommandées. Par exemple: ne meulez pas avec le côté du disque de coupe.** Les disques abrasifs sont destinés au meulage périphérique, des forces latérales auraient pour conséquence de les briser.
- d) **N'utilisez que des flasques en bon état, de dimension et de forme appropriées à votre disque.** Les flasques de disque appropriés soutiennent le disque,

ce qui limite le risque de casse. Les flasques des disque de coupe peuvent être différents de ceux des disque de meulage.

- e) **N'utilisez pas de disques usés pris sur des meuleuses plus grandes.** Les disques destinés aux grandes meuleuses ne sont pas adaptés aux vitesses rapides des petites meuleuses et peuvent se décrocher.
- f) **La surface de meulage des disques à centre en retrait doit être montée en-dessous du plan de protection du carter.** Un disque mal monté qui dépasse le plan de protection du carter ne peut être protégé de manière adéquate.

### Risques résiduels









Même en respectant les consignes de sécurité applicables et en utilisant des dispositifs de sécurité, certains risques résiduels ne peuvent pas être évités.

Sont inclus:

- Troubles auditifs
- Blessures causées par la projection d'éclats.
- Brûlures causées par les accessoires devenant chauds pendant l'utilisation.
- Blessures causées par l'utilisation prolongée d'un outil.
- Poussières contenant des substances nocives.

### Étiquettes apposées sur l'outil

L'étiquette apposée sur votre outil peut contenir les symboles suivants:

	Lire le manuel d'instructions	Hz ..... Hertz		..... Construction de classe II
	Utiliser une protection oculaire	W ..... Watts		..... Borne de terre
	Utiliser des protections auditives	min ..... minutes		..... Symbole d'alerte de sécurité
			..... Courant alternatif	..... Rotations par minute
			..... Courant continu	..... /min.
V ..... Volts				
A ..... Ampères		n <sub>0</sub> ..... Vitesse à vide		

### Position of date barcode

Le code de la date, comprenant aussi l'année de fabrication, est imprimé sur le boîtier de l'outil.

Exemple:

2014 XX JN  
Année de fabrication



## Contenu de la boîte

La boîte de cet outil contient:

- 1 Meuleuse d'angle
- 1 Carter de protection
- 1 Jeu de flasques
- 1 Clé
- 1 Poignée
- 1 Manuel d'instructions
- Contrôlez visuellement l'outil, les pièces et les accessoires pour vérifier qu'ils n'ont pas été endommagés pendant le transport.
- Prenez quelques instants pour lire et assimiler les instructions données dans ce manuel avant d'utiliser cet outil.

## Description (Fig. 1)



**Attention:** Ne modifiez jamais un outil électrique ou une partie de l'outil, cela pourrait l'endommager et entraîner des blessures corporelles.

- a. Interrupteur Marche/Arrêt
- b. Blocage de l'arbre
- c. Carter de protection

## Objectif de conception

Cette meuleuse d'angle est conçue spécialement pour le meulage.

N'utilisez pas de disques abrasifs ou de meulage autres que ceux dont le centre est incurvé.

N'utilisez pas l'outil dans un milieu humide ou à proximité de liquides ou de gaz inflammables.

Cette meuleuse d'angle ultra robuste est un outil électrique professionnel.

Ne laissez pas les enfants manipuler cet outil. Les opérateurs inexpérimentés doivent être surveillés lorsqu'ils utilisent cet outil.

## Sécurité électrique des équipements

Le moteur électrique a été conçu pour une tension spécifique. Vérifiez toujours que la tension secteur correspond à celle indiquée sur la plaque signalétique.



Votre outil Stanley est doublement isolé et de ce fait, ne nécessite pas un branchement à la terre.

Lorsque le câble d'alimentation est endommagé, envoyez-le dans un centre de réparations Stanley pour qu'il soit remplacé par un câble spécialement préparé.

## Utilisation d'un cordon prolongateur

Si l'utilisation d'un cordon prolongateur est nécessaire, veuillez utiliser une rallonge à 3 phases qui a été vérifiée et dont la puissance nominale correspond à l'outil (voir Données techniques). La taille minimale du conducteur est de 1,5mm<sup>2</sup> avec une longueur maximale de 30 mètres.

Si vous utilisez un enrouleur de câble, déroulez toujours le câble entièrement.

## Assemblage et réglage



**Attention! Pour minimiser le risque de blessures corporelles graves, veuillez éteindre et débrancher toutes les fiches avant de régler ou d'enlever/ajouter un accessoire.** Avant de remonter l'outil, appuyez sur le déclencheur puis relâchez-le pour vous assurer que l'outil est bien éteint.

## Installation et retrait du carter de protection (Fig. 2)

**Attention! Pour minimiser le risque de blessures corporelles graves, veuillez éteindre et débrancher toutes les fiches avant de régler ou d'enlever/ajouter un accessoire.** Avant de remonter l'outil, appuyez sur le déclencheur puis relâchez-le pour vous assurer que l'outil est bien éteint.

## Installation du carter de protection

1. Placez la meuleuse d'angle sur un banc de travail, rainure vers le haut.
2. Alignez le flasque de la collerette du carter (c) sur la rainure (i) du boîtier d'engrenage.
3. Faites pivoter le carter (c) dans le sens antihoraire de 150 degrés.
4. Assurez-vous que les vis (k) sont serrées (k).

## Retrait du carter de protection

1. Desserrez les vis (k) sur la collerette du carter.
2. Retirez le carter de protection (c).



**Attention!** Ne faites pas fonctionner l'outil sans le carter de protection en place.

**Remarque:** Reportez-vous au tableau des accessoires de meulage en fin de cette section pour consulter la liste des accessoires pouvant être utilisés avec cette meuleuse d'angle.

## Installation et retrait du disque de meulage (Fig. 3, 4)



**Attention!** N'utilisez pas de disques endommagés.

1. Placez l'outil sur un banc de travail, rainure vers le haut.
2. Installez le flasque intérieur (d) correctement sur l'arbre de sortie (e) (Fig. 3).
3. Placez le disque de meulage (f) sur le flasque intérieur (d). Lorsque vous installez un disque de meulage avec un centre relevé, assurez-vous que le centre relevé du disque (g) est orienté vers le flasque intérieur (d).
4. Vissez fermement le flasque extérieur (h) sur l'arbre de sortie (e) (Fig. 4). Lorsque vous installez le disque de meulage, l'anneau situé sur le haut du flasque extérieur (h) doit être orienté vers le disque.
5. Maintenez le blocage de l'arbre (b) enfoncé et empêchez l'arbre (e) de pivoter jusqu'à ce qu'il soit verrouillé.

6. Utilisez une clé à ergot pour serrer le flasque extérieur (h).

## Préparation avant l'utilisation

- Installez le carter de protection et les disques abrasifs ou de meulage appropriés. N'utilisez pas de disques abrasifs ou de meulage usés à l'excès.
- Assurez-vous que les flasques intérieur et extérieur sont correctement installés.
- Assurez-vous que les disques abrasifs ou de meulage tournent dans le sens des flèches présentes sur les accessoires et l'outil.

## Fonctionnement (Fig. 5)

### Instructions



**Attention!** Respectez toujours les consignes de sécurité et la réglementation en vigueur.



**Attention!** Pour minimiser le risque de blessures corporelles graves, veuillez éteindre et débrancher toutes les fiches avant de régler ou d'enlever/ajouter un accessoire. Avant de remonter l'outil, appuyez sur le déclencheur puis relâchez-le pour vous assurer que l'outil est bien éteint.



**Attention:**

- Assurez-vous que tous les matériaux à meuler sont arrimés en place.
  - Appliquez une légère pression sur l'outil. N'exercez pas de pression latérale sur le disque de meulage.
  - Évitez de surcharger l'outil. Si l'outil devient chaud, laissez-le tourner à vide pendant quelques minutes.
1. Maintenez fermement l'outil avec vos deux mains (une main sur le boîtier, l'autre sur la poignée latérale). Mettez l'outil en marche et approchez le disque de la meuleuse sur la pièce à meuler.

2. Conservez un angle de 15 à 30 degrés entre le bord du disque et la surface de la pièce.
3. Lorsque vous utilisez un disque à meuler neuf, ne faites pas fonctionner le disque dans la direction B, sinon il risque de couper dans la pièce à meuler. Lorsque le bord du disque s'est arrondi, vous pouvez alors faire fonctionner le disque dans la direction A ou B.

### Mise en marche et arrêt (Fig. 1)



**Attention!** Avant d'utiliser l'outil, vérifiez que la poignée est correctement serrée. Vérifiez que l'interrupteur Marche/Arrêt fonctionne normalement.

Avant de brancher l'outil au secteur, vérifiez que l'interrupteur est bien en position Arrêt en appuyant sur l'extrémité arrière de l'interrupteur.

Pour démarrer l'outil, appuyez sur l'extrémité arrière de l'interrupteur et faites-le glisser vers l'avant. Puis appuyez sur l'extrémité avant de l'interrupteur pour le verrouiller. Appuyez sur l'extrémité arrière de l'interrupteur pour arrêter l'outil.



**Attention!** Ne mettez pas l'outil hors ou sous tension lorsqu'il est sous charge.

### Position correcte des mains (Fig. 6)



**Attention!** Pour réduire le risque de blessures corporelles graves, placez TOUJOURS vos mains correctement comme indiqué.



**Attention!** Pour réduire le risque de blessures corporelles graves, maintenez TOUJOURS l'outil fermement en anticipation d'une réaction soudaine.

Une position correcte des mains demande une main sur la poignée latérale (figure 1), et l'autre main sur le corps de l'outil, comme le montre la figure 6.

### Interrupteurs



**Avertissement:** Maintenez fermement le corps de l'outil pour en garder le contrôle au démarrage et pendant son utilisation, et jusqu'à l'arrêt du disque ou d'un accessoire. Veillez à attendre l'arrêt complet avant de reposer l'outil.

**Remarque:** Pour réduire le risque d'un mouvement inattendu de l'outil, ne le mettez pas hors ou sous tension

pendant qu'il est sous charge. Laissez la meuleuse atteindre sa pleine vitesse avant de toucher la surface à meuler. Soulevez l'outil de la pièce avant de l'éteindre. Attendez l'arrêt complet de l'outil avant de le poser.

### Interrupteur à glissière (Fig. 1)

**Attention!** Avant de brancher l'outil au secteur, vérifiez que l'interrupteur à glissière est bien en position arrêt en appuyant sur l'extrémité arrière de l'interrupteur puis en le relâchant. Vérifiez que l'interrupteur à glissière est en position arrêt comme décrit ci-dessus après une interruption de l'alimentation électrique de l'outil, comme l'activation d'un détecteur de fuite à la terre, d'un coupe-circuit, un débranchement involontaire ou une panne électrique. Si l'interrupteur à glissière est bloqué lorsque l'outil est sous tension, l'outil peut redémarrer de manière inattendue

Pour démarrer l'outil, faites glisser l'interrupteur à glissière (a) vers l'avant de l'outil. Pour arrêter l'outil, relâchez l'interrupteur à glissière. Pour un fonctionnement continu, faites glisser l'interrupteur vers l'avant de l'outil et appuyez sur la partie avant de l'interrupteur. Pour arrêter l'outil opérant sous ce mode de fonctionnement, appuyez sur la partie arrière de l'interrupteur et relâchez.

### Blocage de l'arbre (Fig. 1)

Le système de blocage de l'arbre (b) empêche l'arbre de tourner lors de l'installation ou du retrait du disque de meulage. N'utilisez ce système de blocage de l'arbre que lorsque l'outil est éteint et débranché et après l'arrêt complet du disque.



**Remarque:** Pour réduire les dommages causés à l'outil, n'utilisez pas le système de blocage de l'arbre lorsque l'outil est en marche. Si c'est le cas, cela peut endommager l'outil, les accessoires peuvent se détacher et causer des blessures.

Pour actionner le blocage de l'arbre, appuyez sur le bouton de blocage de l'arbre et faites pivoter l'arbre jusqu'à ce qu'il se bloque.

### Meulage de métaux

Lorsque vous meulez des métaux, assurez-vous que le dispositif de courant résiduel (RCD) est inséré pour éviter tout danger provenant des copeaux métalliques.

Si le RCD provoque la suppression de l'alimentation, faites réparer l'outil dans un centre de service agréé Stanley.



**Attention!** Dans des conditions de travail extrêmes, la poussière et les salissures conductrices peuvent s'accumuler à l'intérieur du boîtier lorsque vous meulez des pièces métalliques. Cela pourrait créer un risque de choc électrique car l'isolation protectrice de la meuleuse en serait affaiblit.

Pour éviter l'accumulation de copeaux métalliques à l'intérieur de la meuleuse, nous vous recommandons de nettoyer les orifices d'aération tous les jours. Reportez-vous au chapitre sur l'entretien.

### Utilisation des disques de meulage



**Attention:** La poudre métallique s'accumule. Une utilisation excessive du disque de meulage sur métaux peut augmenter le risque de choc électrique. Pour réduire ce risque, insérez le RCD avant d'utiliser l'outil et nettoyez les aérations quotidiennement. Suivez les instructions d'entretien données ci-dessous pour souffler de l'air comprimé dans les orifices d'aération.

### Maintenance

Les outils électriques Stanley ont été conçus pour fonctionner sur une longue période de temps avec un minimum d'entretien. Un fonctionnement continu satisfaisant dépend d'un nettoyage et d'un entretien soigneux et régulier.



**Attention: Pour minimiser le risque de blessures corporelles graves, veuillez éteindre et débrancher toutes les fiches avant de régler ou d'enlever/ajouter un accessoire.** Avant de remonter l'outil, appuyez sur le déclencheur puis relâchez-le pour vous assurer que l'outil est bien éteint.



### Lubrification

Cet outil électroportatif ne nécessite pas d'être lubrifié.



### Nettoyage

**Attention:** Lorsque la poussière accumulée sur et autour des aérations est visible, utilisez immédiatement un souffleur d'air pour chasser la poussière et les salissures de l'intérieur du boîtier. Vous devez porter un équipement de protection

approuvé pour les yeux et le visage pour effectuer ce processus de nettoyage.



**Attention:** N'utilisez jamais de solvants ou de produits chimiques agressifs pour nettoyer les parties non-métalliques de l'outil. Ces produits chimiques peuvent affaiblir le matériau ou les pièces. Utilisez seulement un détergent doux et un chiffon humide pour nettoyer cet outil. Ne laissez jamais de liquide pénétrer à l'intérieur de l'outil; n'immergez jamais une partie de l'outil dans un liquide.

### Accessoires



**Attention:** A l'exception des accessoires fournis par Stanley, la compatibilité de tous les autres accessoires avec cet outil n'a pas été testée.

L'utilisation de ce type d'accessoires avec cet outil peut entraîner un danger. Pour minimiser le risque de blessures corporelles, nous vous recommandons d'utiliser uniquement des accessoires Stanley avec cet outil.

Pour plus de renseignements concernant les accessoires appropriés, prenez contact avec votre revendeur.

### Données techniques

		STGS7100	STGS7115
Tension d'entrée	V <sub>ac</sub>	220-240	220-240
Puissance	W	710	710
Fréquence	Hz	50/60	50/60
Vitesse à vide/nominale	min <sup>-1</sup>	11,000	11,000
Diamètre du disque	mm	100	115
Diamètre de l'axe		M10	M14
Épaisseur du disque Max			
meules	mm	6	6
Poids	kg	1.8	1.9

## Protection de l'environnement



Collecte sélective. Ne pas jeter cet appareil avec les ordures ménagères.

Si vous devez remplacer un appareil Stanley ou si vous ne l'utilisez plus, ne le jetez pas avec les ordures ménagères, mais dans les conteneurs de collecte sélective.



La collecte sélective des produits et des emballages usagés permet de recycler et de réutiliser leurs matériaux. La réutilisation de matériaux recyclés aide à protéger l'environnement contre la pollution et à réduire la demande en matières premières.

Les réglementations locales peuvent proposer la collecte sélective des appareils électriques ménagers, dans des déchetteries municipales ou par le revendeur lorsque vous achetez un nouvel appareil. Stanley dispose d'installations pour la collecte et le recyclage des produits Stanley en fin de vie. Pour profiter de ce service, veuillez rapporter votre appareil auprès d'un centre de réparation agréé qui se chargera de le collecter en notre nom.

Pour connaître l'adresse d'un centre de réparation agréé près de chez vous, contactez votre distributeur Stanley à l'adresse indiquée dans ce manuel, ou consultez la liste des centres de réparation agréés Stanley et tout renseignement complémentaire sur notre service après-vente sur le site internet à l'adresse: [www.2helpU.com](http://www.2helpU.com).

## Garantie 1 an

Si votre appareil STANLEY s'avère défectueux en raison d'un vice de matériau ou de fabrication dans les 12 mois à compter de sa date d'achat, STANLEY garantit le remplacement gratuit de toute pièce défectueuse ou – à notre discrétion – le remplacement gratuit de l'appareil, à condition que :

- L'appareil n'ait pas été utilisé avec négligence et qu'il ait été utilisé en suivant les instructions contenues dans ce manuel.
- L'appareil ait été soumis à une usure normale;
- Aucune réparation n'ait été effectuée par du personnel non autorisé;
- Une preuve d'achat soit fournie.
- L'appareil STANLEY soit retourné complet, avec l'ensemble de ses composants originaux.

Pour avoir recours à la garantie, contactez votre revendeur ou consultez l'emplacement du centre de réparations agréé STANLEY le plus proche dans le catalogue STANLEY ou contactez le service clientèle STANLEY à l'adresse indiquée dans ce manuel. Une liste des centres de réparations agréés STANLEY et tout détail complémentaire concernant notre service après-vente sont à votre disposition sur notre site internet : [www.stanleytools.com](http://www.stanleytools.com)

## حماية البيئة

## ضمان سنة واحدة

إذا وجد في منتج ستانلي عيوب تصنيع أو عيوب مواد في غضون ١٢ شهراً من تاريخ الشراء، تضمن لك ستانلي استبدال كافة الأجزاء المعيبة دون مقابل أو - وفقاً لتقديرنا - استبدال الوحدة دون مقابل شريطة:



العادية.

• عدم إساءة استخدام الجهاز وأن يكون الجهاز قد تم استخدامه وفقاً لدليل التعليمات؛

• تعرض الجهاز للبلل العادي بالاستعمال؛

• عدم القيام بأي إصلاحات بواسطة أشخاص غير معتمدين؛

• تقديم إثبات للشراء؛

• إعادة منتج ستانلي مكتملاً مع كافة مكوناته الأصلية

إذا كنت ترغب في إقامة دعوى، اتصل بالبائع أو تحقق من موقع أقرب وكيل إصلاح معتمد من ستانلي في دليل ستانلي أو اتصل بمكتب ستانلي المحلي على العنوان المشار إليه في الدليل. توجد قائمة بوكلاء الإصلاح المعتمدين من ستانلي وبياناتهم الكاملة لخدمات ما بعد البيع على موقع الإنترنت: [www.stanleytools.com](http://www.stanleytools.com)

فرز النفايات. يجب عدم وضع هذا المنتج مع النفايات المنزلية العادية.

إذا وجدت في يوم ما أنك بحاجة إلى استبدال منتج ستانلي، أو إذا لم تعد بحاجة إلى استخدامه، فلا تتخلص منه مع النفايات المنزلية. وقم بإتاحته للفرز.

يتيح فرز المنتجات المستخدمة وتغليفها بإعادة تدوير المواد واستخدامها مرة أخرى، حيث يساعد إعادة استخدام المواد المعاد تدويرها في منع التلوث البيئي ويقلل من الطلب على المواد الخام.



وقد تنص اللوائح المحلية على فرز المنتجات الكهربائية عن النفايات المنزلية في مواقع نفايات البلدية أو بواسطة بائع التجزئة عند شراء منتج جديد. وتوفر ستانلي مرافق لجمع وإعادة تدوير منتجات ستانلي حينما تصل إلى نهاية عمرها الافتراضي للعمل. للاستفادة من هذه الخدمة، برجاء إعادة المنتج إلى أي وكيل إصلاح معتمد يقوم بجمعها نيابة عنا.

يمكنك التحقق من موقع أقرب وكيل إصلاح معتمد من خلال الاتصال بمكتب ستانلي المحلي على العنوان المشار إليه في الدليل. وبدلاً من ذلك، توجد قائمة بوكلاء الإصلاح المعتمدين من ستانلي وبياناتهم الكاملة لخدمات ما بعد البيع وبيانات اتصالاتهم على موقع الإنترنت:

[www.2helpU.com](http://www.2helpU.com)

تحذير! لا تستخدم أي مذيبات أو كيماويات كاشطة مطلقاً في تنظيف الأجزاء غير المعدنية في هذا الجهاز، فقد تؤدي هذه الكيماويات إلى إضعاف المواد في هذه الأجزاء. استخدم فقط صابوناً مخففاً وقطعة قماش رطبة في تنظيف الجهاز. لا تسمح بدخول أي سائل إلى الأجزاء الداخلية للجهاز ولا تغمر أي جزء من أجزاء الجهاز في أي سائل.



تحذير! في حالات العمل المفرطة، قد يتجمع الغبار والأتربة الموصلة للتيار الكهربائي في الجزء الداخلي لغطاء المحرك أثناء العمل مع قطع العمل المعدنية. وقد يؤدي ذلك إلى زيادة مخاطر التعرض للصدمات الكهربائية حيث يُضعف العزل الوقائي الموجود في الجلاخة.



لتفادي تراكم الشظايا المعدنية في الجزء الداخلي من الجلاخة، نوصي بتنظيف فتحات التهوية بشكل يومي. برجاء الاطلاع على قسم الصيانة في هذا الدليل.

#### الملحقات

تحذير! باستثناء الملحقات المقدمة من شركة ستانلي، لم يتم اختبار جميع الملحقات الأخرى للتحقق من توافقها مع المنتج. ومن ثم فقد يؤدي استخدام مثل هذه الملحقات مع



الجهاز إلى حدوث مخاطر متعلقة بالسلامة. ولتقليل مخاطر التعرض لإصابات شخصية، نوصي باستخدام الملحقات المقدمة من شركة ستانلي فقط مع هذا المنتج.

لمزيد من المعلومات بخصوص الملحقات المناسبة للجهاز، يُرجى مراجعة بائع التجزئة المحلي الخاص بكم.

#### البيانات الفنية

STGS7115	STGS7100		
٢٤٠-٢٢٠	٢٤٠-٢٢٠	فولط تيار متردد	جهد الدخل:
٧١٠	٧١٠	فولط	دخل القدرة:
٦٠/٥٠	٦٠/٥٠	هرتز	التردد
١١,٠٠٠	١١,٠٠٠	دقيقة <sup>-١</sup>	السرعة بدون حمل / السرعة المقننة
١١٥	١٠٠	ملم	قطر العجلة
M١٤	M١٠		قطر محور الدوران
٢٧			أقصى سماكة القرص
٦	٦	ملم	طحن أقراص
١,٨	١,٩	كجم	الوزن

#### استخدام عجلات التجليخ

تحذير! يتراكم المسحوق المعدني، قد يؤدي الاستخدام المفرط لعجلة التجليخ على المعادن إلى زيادة مخاطر التعرض للصدمات الكهربائية. ولتقليل هذه المخاطر، قم بتركيب قاطع الدورة قبل الاستخدام وقم بتنظيف فتحات التهوية بصفة يومية. اتبع تعليمات الصيانة الموضحة أدناه لنفخ الهواء الجاف المضغوط في فتحات التهوية.



#### الصيانة

صمم جهاز ستانلي للعمل لفترات طويلة بأقل صيانة ممكنة. ويعتمد التشغيل المقبول باستمرار على العناية المناسبة بالجهاز وتنظيفه باستمرار.

تحذير! لتقليل مخاطر التعرض للإصابات الشخصية الخطيرة، يُرجى إيقاف تشغيل الجهاز الكهربائي وفصل جميع المقابس قبل تعديل أو إزالة / تركيب أي ملحق. وقبل إعادة تجميع الجهاز، اضغط على مفتاح التشغيل وحرره للتأكد من أن الجهاز لا يزال مفصلاً عن مصدر التيار الكهربائي.



#### التشحيم

لا يتطلب هذا الجهاز الكهربائي تشحيماً منفصلاً.



#### التنظيف

تحذير! بمجرد تراكم الغبار المرئي على فتحات التهوية والأجزاء المحيطة بها، استخدم الهواء الجاف فوراً لنفخ الغبار والأتربة بعيداً عن الجزء الداخلي للغطاء. ويجب عليك ارتداء واقي العينين وواقي حماية الوجه المناسبين عند تنفيذ هذه العملية.



ملحوظة: لتقليل الحركة غير المتوقعة للجهاز، لا تقم بتشغيل الجهاز أو إيقاف تشغيله أثناء التحميل عليه. واركب الجالاخة تصل إلى سرعتها الكاملة قبل ملاسة سطح العمل. وارفع الجهاز عن سطح العمل قبل إيقاف تشغيل الجهاز. وانتظر حتى يتوقف الجهاز تماماً عن الحركة قبل وضعه على الأرض.

### المفتاح المنزلق (الشكل ١)

تحذيراً: قبل توصيل الجهاز بمصدر التيار الكهربائي، تأكد من أن المفتاح المنزلق في وضع إيقاف التشغيل عن طريق الضغط على مؤخرة المفتاح وتحريكها. وتأكد من أن المفتاح المنزلق في وضع إيقاف التشغيل كما هو موضح أعلاه بعد أي انقطاع في توصيل الطاقة إلى الجهاز، مثل تنشيط قاطع التيار الأرضي، أو تشغيل أحد قواطع الدارة، أو الفصل العارض للقاطس أو انقطاع التيار الكهربائي. إذا كان المفتاح المنزلق مثبتاً على وضع التشغيل أثناء عودة التيار الكهربائي، فإن الجهاز سيعمل بشكل مفاجئ.

لتشغيل الجهاز، ادفع المفتاح المنزلق (أ) نحو مقدمة الجهاز. ولإيقاف تشغيل الجهاز، حرر المفتاح المنزلق. وللتشغيل المستمر، ادفع المفتاح نحو مقدمة الجهاز واضغط على مقدمة المفتاح. لإيقاف تشغيل الجهاز أثناء العمل في وضع التشغيل المستمر، اضغط على مؤخرة المفتاح المنزلق وحررها.

### قفل محور الدوران (الشكل ١)

يعمل قفل محور الدوران على منع عمود الإخراج من الحركة أثناء تركيب أو إزالة عجلة التجليخ. لا تستخدم قفل محور الدوران إلا إذا كان الجهاز في وضع إيقاف التشغيل ومفصلاً عن مصدر التيار الكهربائي والعجلة متوقفة تماماً.

ملحوظة: لتقليل تلفيات الجهاز إلى أدنى حد ممكن، لا تستخدم قفل محور الدوران إذا كان الجهاز في وضع التشغيل، وإلا فقد يؤدي ذلك إلى تلف الجهاز، حيث قد تنفصل الملحقات وتسبب إصابات شخصية.

عند استخدام قفل محور الدوران، اضغط على زر قفل محور الدوران وقم بلف عمود الإخراج إلى أن يتوقف.

### استخدام الجهاز مع المعادن

عند استخدام الجهاز مع المعادن، تأكد من تركيب قاطع الدورة لمنع المخاطر الناجمة عن الشظايا المعدنية.

وإذا تسبب قاطع الدورة في فصل التيار الكهربائي، قم بإرسال الجهاز إلى إحدى المراكز التابعة لشركة ستانلي للصيانة.

٢. حافظ على ميول سطح العجلة بزاوية من ١٥ إلى ٣٠ درجة على سطح قطعة العمل.

٣. عند استخدام عجلة تجليخ جديدة، لا تقم بتشغيل العجلة في الاتجاه (B)، وإلا فسوف تقوم بالقطع في قطعة العمل. عندما تصبح شفة العجلة مستديرة، تصبح لديك حرية تشغيل الجالاخة في أي من الاتجاهين (A) أو (B).

### التشغيل وإيقاف التشغيل (الشكل ١)

تحذيراً: قبل استخدام الجهاز، تحقق من ربط المقبض الجانبي بإحكام. وتأكد مما إذا كان مفتاح التشغيل / إيقاف التشغيل يعمل بشكل طبيعي.



قبل توصيل الجهاز بمصدر التيار الكهربائي، تأكد من أن المفتاح في وضع إيقاف التشغيل (٠) عند الضغط على مؤخرة المفتاح.

لتشغيل الجهاز، اضغط على مؤخرة المفتاح وادفعه نحو الأمام، ثم اضغط على مقدمة المفتاح لتثبيته. ولإيقاف تشغيل الجهاز، اضغط على مؤخرة المفتاح.

تحذيراً: لا تقم بتشغيل الجهاز أو إيقاف تشغيله أثناء التحميل عليه.



### الوضع الصحيح لليد (الشكل ٦)

تحذيراً: لتقليل مخاطر التعرض لإصابات شخصية خطيرة، استخدم دائماً الوضع الصحيح لليد كما هو موضح.



تحذيراً: لتقليل مخاطر التعرض لإصابات شخصية خطيرة، امسك الجهاز بشكل آمن وكن دائماً على استعداد لأي رد فعل مفاجئ.



يتطلب الوضع الصحيح لليد وضع إحدى يديك على المقبض الجانبي (الشكل ١) مع وضع اليد الأخرى على جسم الجهاز، كما هو موضح في الشكل ٦.

### المفاتيح

تنبيه: احكم قبضتك على جسم الجهاز للحفاظ على تحكّم في الجهاز عند التشغيل وخلال الاستخدام وحتى تتوقف العجلة أو الملحق الدوار عن الحركة تماماً. وتأكد من توقف العجلة عن الحركة تماماً قبل وضع الجهاز على الأرض.





## تركيب الواقي

الدوران حتى يثبت في مكانه.

1. ضع جلاخة الزوايا على منضدة العمل على أن يكون اتجاه التجويف لأعلى.

## التجهيز قبل الاستخدام

2. ضع شفة طوق الواقي (ج) على التجويف (ط) الخاص بتثبيت الترس.
  3. قم بلف الواقي (ج) ١٥٠ درجة عكس اتجاه عقارب الساعة.
  4. تأكد من ربط البراغي (ك) بإحكام.
- قم بتركيب واقي الحماية وعجلات السحج أو التجليخ المناسبة. لا تستخدم عجلات السحج أو التجليخ المتآكلة بشكل كبير.
- تأكد من أن الشفتين الداخلية والخارجية في وضعهما الصحيح.
- تأكد من أن عجلات التجليخ يدوران في اتجاه الأسهم الموجودة على الملحقات أو الجهاز.

## إزالة الواقي

1. قم بفك البراغي (ك) الموجودة على طوق الواقي.

2. اسحب الواقي (ج).

## التشغيل (الشكل ٥)

### التعليمات

تحذير! لا تقم بتشغيل الجهاز في حالة عدم وجود واقي الحماية في مكانه.



تحذير! يُرجى دائماً مراعاة تعليمات السلامة والقواعد المنطقية.



ملحوظة: يُرجى الاطلاع على مخطط ملحقات التجليخ الموجود في نهاية هذا القسم للتعرف على الملحقات التي يمكن استخدامها مع جلاخة الزوايا.

تحذير! لتقليل مخاطر التعرض للإصابات الشخصية الخطيرة، يُرجى إيقاف تشغيل الجهاز الكهربائي وفصل جميع المقابس قبل تعديل أو إزالة / تركيب أي ملحق، وقبل إعادة تجميع الجهاز، اضغط على مفتاح التشغيل وحرره للتأكد من أن الجهاز لا يزال مفصلاً عن مصدر التيار الكهربائي.

## تركيب وإزالة عجلات التجليخ (الشكلان ٣ و ٤)

تحذير! لا تستخدم عجلات تجليخ تالفة.



تحذير:

1. ضع الجهاز على منضدة العمل على أن يكون اتجاه التجويف لأعلى.
  2. قم بتركيب الشفة الداخلية (د) بشكل صحيح على عمود الإخراج (الشكل ٣).
  3. ضع عجلة التجليخ (و) على الشفة الداخلية (د). عند تركيب عجلة تجليخ ذات مركز مرتفع، يُرجى التأكد من أن المركز المرتفع (ز) يواجه الشفة الداخلية (د).
  4. احكم ربط الشفة الخارجية (ح) حتى عمود الإخراج (هـ) (الشكل ٤). عند تركيب عجلة التجليخ، ينبغي أن تكون الحلقة الموجودة أعلى الشفة الخارجية (ح) في اتجاه العجلة.
  5. اضغط على قفل محور الدوران (ب) وامنع عمود الدوران (هـ) من الدوران.
- تأكد من ربط جميع المواد المطلوب تجليخها بإحكام في مكانها الصحيح.
- اضغط برفق على الجهاز. لا تقم بالضغط الجانبي على قرص التجليخ.
- تجنب زيادة التحميل على الجهاز. في حالة ارتفاع درجة حرارة الجهاز، قم بتشغيله لعدة دقائق بدون حمل.
1. تأكد من الإمساك بالجهاز جيداً بكلتا يديك (إحدى يديك على الغطاء والأخرى على المقبض الجانبي). قم بتشغيل الجهاز وانزل بعجلة التجليخ على قطعة العمل.

## محتويات العبوة

تتضمن عبوة هذا المنتج ما يلي:

عدد ١ جلاخة زوايا

عدد ١ واقي

عدد ١ مجموعة شفاة

عدد ١ مفتاح براغي

عدد ١ مقبض

عدد ١ دليل تعليمات

- افحص الجهاز والأجزاء والملحقات للتأكد مما إذا لحقت بها أي أضرار أثناء النقل.
- خذ من وقتك وضع لحظات في قراءة هذا الدليل وافهمه جيداً قبل استخدام الجهاز.

## الوصف (الشكل ١)

تحذير: لا تقم مطلقاً بتعديل الجهاز الكهربائي أو أي جزء منه، وإلا قد يؤدي ذلك إلى تلف الجهاز أو التعرض لإصابات شخصية.



١. مفتاح التشغيل / إيقاف التشغيل

٢. قفل عمود الدوران

٣. الواقي

الغرض من التصميم

تم تصميم جلاخة الزوايا هذه بشكل خاص لأغراض التجليخ.

لا تستخدم عجلات سنفرة أو عجلات تجليخ أخرى بخلاف تلك التي لها مركز مضغوط.

لا تستخدم الجهاز في الظروف أو البيئات الرطبة في وجود سوائل أو غازات قابلة للاشتعال.

تم تصميم جلاخة الزوايا التي تعمل في ظروف شاقة هذه للاستخدام قبل المتخصصين.

لا تترك الجهاز في أيدي الأطفال، ولا يجوز للمشغلين غير الخبراء استخدام هذا الجهاز دون رقابة.

## السلامة الكهربائية للجهاز

تم تصميم المحرك الكهربائي بحيث يتوافق مع جهد تيار كهربائي واحد فقط. لذا، ينبغي التأكد دائماً من توافق جهد التيار الكهربائي مع الجهد الموضح على لوحة التقتين.

إن جهاز ستانلي الخاص بك مزود بخاصية العزل المزدوج، ومن ثم فإنه لا يحتاج إلى تأريض.



عند تلف الكبل الكهربائي، قم بإرسال الجهاز إلى أحد مراكز الخدمة التابعة لشركة ستانلي لاستبدال هذه الأسلاك.

## استخدام كابلات تمديد

عند الحاجة إلى استخدام كابل تمديد، يُرجى اختيار كابل التمديد الذي تم فحصه والتأكد من أنه يطابق الجهد الكهربائي الداخل (انظر البيانات الفنية) لهذا الجهاز. وإن أدنى حجم للموصل هو ١,٥ ملم مربع وأقصى طول هو ٣٠ متر.

وعند استخدام بكرة كابل، تأكد من سحب الكابل بالكامل.

## تجميع الجهاز وضبطه

تحذير: لتقليل مخاطر التعرض للإصابات الشخصية الخطيرة،

يُرجى إيقاف تشغيل الجهاز الكهربائي وفصل جميع المقابس

قبل تعديل أو إزالة / تركيب أي ملحق، وقبل إعادة تجميع

الجهاز، اضغط على مفتاح التشغيل وحرره للتأكد من أن الجهاز لا يزال

مفصلاً عن مصدر التيار الكهربائي.



## تركيب وإزالة واقي العجلة (الشكل ٢)

تحذير! لتقليل مخاطر التعرض للإصابات الشخصية الخطيرة، يُرجى إيقاف تشغيل الجهاز الكهربائي وفصل جميع المقابس قبل تعديل أو إزالة /

تركيب أي ملحق، وقبل إعادة تجميع الجهاز، اضغط على مفتاح التشغيل

وحرره للتأكد من أن الجهاز لا يزال مفصلاً عن مصدر التيار الكهربائي.

- أ. اقبض على الجهاز بقوة واجعل موضع جسمك وذراعك في وضع يتيح لك مقاومة قوى الارتداد. واستخدم دائماً المقبض الاحتياطي، إن كان متوفراً، للسيطرة المثلى على القوى الارتدادية أو ردة فعل العزم أثناء بداية التشغيل. ويمكن للمشغل السيطرة على القوى الارتدادية أو ردة فعل العزم باتخاذ الاحتياطات المناسبة.
- ب. لا تضع يدك بالقرب من الملحق الدوار إذ قد يرتد الملحق إلى يدك.
- ج. لا تركز جسمك في المنطقة التي سيتحرك إليها الجهاز عند حدوث الارتداد، حيث يدفع الارتداد الجهاز في الاتجاه المعاكس لحركة العجلة في وقت الضغط.
- د. توخ الحذر بشكل خاص عند التعامل مع الزوايا أو الحواف الحادة وغيرها. وتجنب ارتداد وضغط الملحق حيث يمكن للزوايا أو الحواف الحادة أو الارتدادية أن تضغط الملحق الدوار وتتسبب في فقدان السيطرة على الجهاز أو ارتداده.
- هـ. لا تترك شفرة نحت الخشب بسلسلة المنشار أو شفرة المنشار المسننة إذ أن تلك الشفرات تتسبب في تكرار ارتداد الجهاز أو فقدان السيطرة عليه.

## إرشادات السلامة الخاصة بعمليات التجليخ

١. لا تستخدم إلا أنواع العجلات الموصى بها لجهازك الكهربائي والواقي الخاص المصمم للعجلة المحددة. ويرجى العلم بأنه لا يتم حماية العجلات غير المصممة لاستخدامها مع الجهاز الكهربائي بالشكل المناسب، كما أنها تكون غير آمنة.
٢. يجب تركيب الواقي في الجهاز الكهربائي بإحكام ووضعه في المكان الذي يحقق السلامة القصوى للمشغل بحيث لا تتكشف العجلة تجاه المشغل إلا بأقل درجة ممكنة. ويساعد الواقي على حماية المشغل من شظايا العجلة المتطايرة ومن التلامس غير المقصود مع العجلة والشرر الذي يؤدي إلى نشوب النار في الملابس.
٣. يجب عدم استخدام العجلات إلا في الاستخدامات الموصى بها. فمثلاً، لا تجليخ باستخدام جانب عجلة القطع إذ يتم تصميمه لأغراض التجليخ المحيطي، مع العلم بأن القوى الجانبية الواقعة على هذه العجلات قد تتسبب في تحطيمها.
٤. استخدم دائماً شفاه العجلة غير النالفة والتي يتوافق حجمها وشكلها مع العجلة المحددة. ويعمل اختيار شفاه العجلة المناسبة على دعم العجلة ومن ثم تقليل احتمالية تعرض العجلة للكسر. ويرجى العلم بأن شفاه عجلات القطع قد تختلف عن شفاه عجلات التجليخ.
٥. لا تستخدم العجلات البالية التي تم استخدامها في أجهزة كهربائية أخرى، إذ أن العجلة المصممة لجهاز كهربائي أكبر لا تتناسب مع

السرعة الأعلى للأجهزة الأصغر وقد تتحطم.




٦. يجب تركيب سطح التجليخ للعجلات الوسطى المضغوطة أسفل سطح شفة الواقي. ولا يمكن توفير الحماية الكافية للعجلة المركبة بشكل غير صحيح التي تبرز من خلال سطح شفة الواقي.

## المخاطر الكامنة

- بالرغم من تطبيق قواعد السلامة ذات الصلة وتنفيذ جميع سبل السلامة، توجد بعض المخاطر الأخرى التي لا يمكن تفاديها. وتتضمن هذه المخاطر:
- ضعف السمع.
  - مخاطر التعرض لإصابات شخصية نتيجةً للشظايا المتطايرة.
  - مخاطر الحروق نتيجةً لارتفاع درجة حرارة الملحقات الناتجة عن التشغيل.
  - مخاطر التعرض لإصابات شخصية نتيجةً لاستخدام الجهاز لفترة طويلة.
  - مخاطر استنشاق الغبار الناتج عن المواد الخطرة.

## الرموز الموجودة على الجهاز

قد تتضمن العلامات الموجودة على الأداة الرموز التالية:

عزل مزدوج من الغي ٢		هرتز Hz	.....	اقرأ دليل التعليمات	
طرف أرضي		واط	.....	استخدم واقي العين	
رمز تنبيه الأمان		دقيقة تيار متردد	.....	استخدام واقي الأذن	
عدد الدورات أو الترددات في الدقيقة	.../min..	تيار مستمر	.....	فولط	V
				مبير	A
				السرعة بدون حمل	N <sub>0</sub>

مكان رمز الباركود الخاص بالتاريخ

يوجد رمز الباركود الخاص بالتاريخ، بما في ذلك سنة الصنع، مطبوعاً على التبيبة.  
على سبيل المثال:

مع الأسلاك المستترة أو الكابيل الخاص بها. كما أن تلامس ملحق القطع بالكابلات "التي يسري بها التيار" قد يوصل التيار إلى الأجزاء المعدنية المكشوفة مما قد يعرض المشغل إلى مخاطر الإصابة بالصدمات الكهربائية.

ل. ابعاد الكابل عن الملحق الدوار لأنه في حالة فقدانك السيطرة على الجهاز، قد ينقطع السلك أو يتشابك ويؤدي إلى جذب يدك أو ذراعك إلى الملحق الدوار.

م. لا تضع الجهاز على الأرض مطلقاً إلا عند توقف الملحقات بالكامل، إذ أن الملحق الدوار قد يلتصق بالسطح ويقفدك السيطرة على الجهاز.

ن. لا تشغيل الجهاز أثناء حملك له بجانبك، إذ قد يؤدي التلامس غير المقصود مع الملحق الدوار إلى جذب ملابسك وشد الملحق إلى جسمك.

س. نظف فتحات الهواء بالجهاز بانتظام، حيث تجذب مروحة المحرك الغبار داخل المبيت ويزيد تراكم الجسيمات المعدنية من خطورة التعرض للصدمات الكهربائية.

ص. لا تشغيل الجهاز بالقرب من المواد القابلة للاشتعال، إذ قد يتسبب الشرر المتطاير في اشتعال هذه المواد.

### تعليمات السلامة الإضافية لجميع العمليات

#### أسباب الارتداد والتحذيرات المتعلقة بها

الارتداد هو رد فعل مفاجئ لضغط أو تمزق العجلة الدوارة أو وسادة الدعم أو الفرشاة أو أية ملحقات أخرى. ويؤدي الضغط أو التمزق إلى التوقف المفاجئ للملحق الدوار مما يؤدي بدوره إلى اندفاع الجهاز غير المتحكم به إلى الاتجاه المعاكس لدوران الملحقات في وقت التوقف المفاجئ.

فعلى سبيل المثال، إذا تعرضت عجلة التجليخ للضغط أو التمزق بسبب قطعة العمل التي يتم جلبها، عندئذ تخترق شفة العجلة التي تدخل في نقطة الضغط سطح المادة مما يتسبب في ارتفاع أو ارتداد العجلة، وقد تتطاير العجلة نحو المشغل أو بعيداً عنه حسب اتجاه حركة العجلة في نقطة الضغط.

كما قد تنكسر عجلات التجليخ تحت هذه الظروف، ويحدث الارتداد نتيجة إساءة استخدام الجهاز و/أو تطبيق إجراءات أو ظروف التشغيل غير المناسبة، ويمكن تفاديه باتخاذ الاحتياطات المناسبة المبنية أدناه:

هـ. يشترط أن يكون القطر الخارجي للملحقات وسمكها في حدود السعة المقننة لجهازه، إذ لا يمكن حماية الملحقات ذات الأحجام غير المتطابقة أو التحكم بها بالشكل المناسب.

و. يجب أن يتوافق التركيب المترابط للملحقات توافيقاً تاماً مع عمود دوران الجلاخة. وبالنسبة للملحقات المثبتة بواسطة شفا، يجب أن تتوافق فتحة التعريشة مع قطر الشفة المحدد. وستعمل الملحقات ذات غير المتوافقة مع عمود التركيب بالجهاز بشكل غير متوازن ودرجة اهتزاز كبيرة ويمكن أن تتسبب في فقدان السيطرة على الجهاز.

ز. لا تستخدم الملحقات التالفة وقم قبل كل عملية استخدام للجهاز بفحص الملحقات مثل عجلات التجليخ للتحقق من عدم وجود شظايا أو شقوق، إلى جانب فحص وسائد الدعم للتحقق من عدم وجود شقوق أو بلي أو استهلاك شديد، وفحص الفراشي السلكية للتأكد من خلوها من أية تلفيات أو شقوق أو أسلاك سائبة. وافحص الجهاز أو الملحقات في حالة سقوطها للتأكد من خلوها من التلفيات أو قم بتركيب ملحقات أخرى غير تالفة. وقم عند فحص الملحقات وتركيبها بتشغيل الجهاز بأقصى سرعة بدون حمل لمدة دقيقة واحدة، بعد التأكد من الوقوف أنت ومن حولك بعيداً عن نطاق الملحقات الدوارة، إذ عادة ما تنفك الملحقات التالفة خلال فترة الاختبار المذكورة.

ح. ارتد معدات الحماية الشخصية. ووفقاً لاستخدام الجهاز، استخدم واقي الوجه أو النوع المناسب من نظارات الحماية. وحيثما أمكن، ارتد قناع الوقاية من الغبار وواقي الأذنين والقفازان وسترة الورشة المخصصة للحماية من الشظايا الناجمة عن التجليخ أو العمل، على أن تكون واقية العينين مصممة لمنع التعرض للشرر المتطاير من مختلف العمليات، وأن يكون قناع الوقاية من الغبار أو قناع التنفس مصمماً لترشيح الجسيمات الناتجة عن العمل. واعلم بأن التعرض لخواص عالية لفترات طويلة قد يتسبب في فقدان السمع.

ط. احرص على وجود الأشخاص المتواجدين في منطقة العمل على مسافة مناسبة، ويجب على أي شخص يدخل منطقة العمل ارتداء معدات الحماية الشخصية، إذ قد تتطاير الشظايا الناتجة عن العمل أو كسر الملحقات وتصيب الأشخاص المتواجدين أبعد من نطاق العمل المباشر.

ق. امسك الجهاز بواسطة الأسطح المعزولة المخصصة للإمساك بالجهاز فقط عند العمل بالجهاز، حيث من الممكن أن يتلامس ملحق القطع

- ج. تجنب التشغيل العرضي. احرص على أن يكون مفتاح التشغيل في وضع الإيقاف قبل توصيله بمصدر الطاقة و/أو علبه البطارية أو قبل التقاط الجهاز أو حمله. قد تقع حوادث نتيجة حمل الأجهزة الكهربائية مع وضع الأصبع على مفتاح التشغيل أو توصيل الأدوات الكهربائية بالمقبس حينما يكون مفتاح التشغيل على وضع التشغيل.
- د. قم بإزالة أي مفتاح ضبط أو مفتاح ربط قبل تشغيل الجهاز. فقد يؤدي ترك مفتاح الربط أو المفتاح عالماً في الجزء الدوار بالجهاز إلى وقوع إصابات شخصية.
- هـ. لا تمد يدك بالجهاز لمسافة بعيدة. ضع قدميك في موضع مناسب واحتفظ بالتوازن المناسب في جميع الأوقات. حيث يتيح لك ذلك إمكانية التحكم بشكل أفضل في الجهاز في المواقف غير المتوقعة.
- و. ارتد ملابس مناسبة. لا ترتد الملابس الفضفاضة أو الحلي. احرص على إبقاء شعرك وملابسك وقفازاتك بعيدة عن الأجزاء المتحركة. فقد تسحب الأجزاء الدوارة الملابس الفضفاضة أو الحلي أو الشعر الطويل.
- ج. إذا كانت الأجهزة معدة للتوصيل بوسائل إزالة أو تجميع الأتربة، فاحرص على توصيلها واستخدامها بشكل مناسب. حيث إن استخدام وسائل جمع الأتربة قد يقلل من المخاطر المرتبطة بها.
٤. استخدام الجهاز الكهربائي والعناية به
- أ. لا تضغط على الجهاز الكهربائي. استخدم الجهاز الكهربائي المناسب لاستعمالك. حيث إن استخدام الجهاز الكهربائي يؤدي المهمة بشكل أفضل وأكثر أماناً بالسرعة التي تم تصميمه من أجلها.
- ب. لا تستخدم الجهاز الكهربائي إذا كان المفتاح لا يقيم بالتشغيل أو الإيقاف. حيث إن أي جهاز كهربائي لا يمكن التحكم فيه باستخدام مفتاح التشغيل/الإيقاف يكون خطيراً ويجب إصلاحه.
- ج. افصل المقبس من مصدر الطاقة و/أو علبه البطارية من الجهاز الكهربائي قبل إجراء أي تعديلات أو تغيير أي ملحقات أو تخزين الجهاز الكهربائي. حيث تقلل تدابير السلامة الوقائية هذه من خطر تشغيل الجهاز دون قصد.
- د. قم بتخزين الأجهزة غير المستخدمة بعيداً عن متناول الأطفال ولا تسمح للأشخاص غير المتعاملين مع الأجهزة الكهربائية أو غير المطلعين على هذه التعليمات بتشغيل الجهاز الكهربائي. حيث يمثل وجود الأجهزة الكهربائية في أيدي المستخدمين غير المدربين خطراً عليهم.
- هـ. قم بصيانة الأجهزة الكهربائية. تحقق من أي اختلاف أو عائق في الأجزاء المتحركة أو كسر في الأجزاء أو أي حالة أخرى قد تؤثر على تشغيل الأجهزة. في حالة تعرض الأجهزة للتلف، قم بإصلاح الأجهزة قبل استخدامها. حيث تقع العديد من الحوادث بسبب الصيانة الرديئة للأجهزة.
- و. احرص على حدة ونظافة أدوات القطع. من النادر أن تسبب أدوات القطع المحفوظة بشكل مناسب، مع الحفاظ على حدة حواف القطع، في إعاقة الحركة فضلاً عن سهولة التحكم فيها.
- ز. احرص على استخدام الجهاز الكهربائي والملحقات ولقم الجهاز وما إلى ذلك وفقاً لهذه التعليمات، مع الأخذ في الاعتبار ظروف العمل والعمل المطلوب تنفيذها. قد يؤدي استخدام الجهاز الكهربائي في عمليات غير المخصص من أجلها إلى وقوع مخاطر.
- هـ. الصيانة
- أ. قم بإصلاح وصيانة الجهاز بواسطة شخص مؤهل باستخدام الأجزاء البديلة المطابقة فقط. وسوف يضمن ذلك الحفاظ على سلامة الجهاز الكهربائي.
- قواعد السلامة الإضافية الخاصة
- تعليمات السلامة لجميع العمليات
- تحذيرات السلامة العامة للتجلبخ
- أ. هذا الجهاز مصمم للعمل جلاخة. يجب قراءة كافة تحذيرات وإرشادات وإيضاحات السلامة والمواصفات المتوفرة مع هذا الجهاز الكهربائي. قد يؤدي الإخفاق في اتباع كافة التعليمات المدرجة أدناه إلى التعرض لصدمة كهربائية و/أو نشوب حريق و/أو وقوع إصابات خطيرة.
- ب. لا يوصى بتنفيذ عمليات القطع أو السفر أو التنظيف بالفرشاة السلكية أو التلميع باستخدام هذا الجهاز الكهربائي. قد يؤدي استخدام الجهاز لتنفيذ عمليات غير التي تم تصميمه لأجلها إلى التعرض للخطر أو التسبب في وقوع إصابات شخصية.
- ج. لا تستخدم الملحقات غير المصممة بوجه خاص للجهاز أو التي لم يوص بها المصنّع، إذ أن قابلية تركيب الملحقات في الجهاز لا تضمن بالضرورة سلامة العمل بها.
- د. يجب ألا تقل السرعة المقننة للملحقات عن أقصى سرعة مقننة للجهاز ويؤدي تشغيل الملحقات بسرعة أكبر من السرعة المقننة إلى تفككها أو تطايرها.

التعريفات: إرشادات السلامة

توضح التعريفات المذكورة أدناه مستوى الخطورة الذي تنطوي عليه كل كلمة إشارية. يُرجى قراءة هذا الدليل والانتباه إلى تلك الرموز.



خطراً! يشير إلى موقف ينطوي على خطر وشيك والذي قد يؤدي، في حالة عدم تجنبه، إلى الوفاة أو إلى وقوع إصابة خطيرة.



تحذيراً! يشير إلى موقف ينطوي على خطر محتمل والذي قد يؤدي، في حالة عدم تجنبه، إلى الوفاة أو إلى وقوع إصابة خطيرة.



تنبيه! يشير إلى موقف ينطوي على خطر محتمل والذي قد يؤدي، في حالة عدم تجنبه، إلى إصابة بسيطة أو عادية.

إنذار! يُشير إلى سلوك ليس له علاقة بالإصابة الشخصية والذي قد يؤدي، في حالة عدم تجنبه، إلى تلف الممتلكات.



يُشير إلى خطر التعرض لصدمة كهربائية.



يُشير إلى مخاطر الحريق.



تحذير! لتقليل مخاطر التعرض للإصابة، يُرجى قراءة دليل التعليمات.

تحذيرات عامة عند استخدام الأجهزة الكهربائية



تحذير! اقرأ كافة التعليمات وكافة التحذيرات الواردة أدناه إلى حدوث صدمة كهربائية أو حريق و/أو إصابة شخصية خطيرة.

احفظ كافة التحذيرات والتعليمات للرجوع إليها في المستقبل

تشير كلمة "الجهاز الكهربائي" في كافة التحذيرات الواردة أدناه إلى الجهاز الكهربائي الذي يعمل (بواسطة أسلاك) بواسطة الموصلات الرئيسية أو الجهاز الكهربائي الذي يعمل بواسطة بطارية (بدون أسلاك).

١. سلامة منطقة العمل

أ. احرص على نظافة وإضاءة منطقة العمل بشكل جيد. حيث تؤدي المناطق غير المنظمة والمظلمة إلى وقوع حوادث.

ب. لا تشغيل الجهاز في أجواء قابلة للانفجار، مثلاً عند وجود سائل أو غازات أو غبار قابل للاشتعال. فالأجهزة الكهربائية تطلق شرراً قد يؤدي إلى اشتعال الغبار أو الدخان.

ج. احرص على إبعاد الأطفال والمتواجدين في منطقة العمل عن الجهاز الكهربائي. فقد يتسبب الإلهاة في فقدانك للسيطرة.

٢. السلامة الكهربائية

أ. يجب أن تتطابق مقابس الجهاز الكهربائي مع المنفذ. لا تقم بتعديل المقبس بأي حال. لا تستخدم أي مقابس مهايئات مع أجهزة كهربائية (مؤرضة). سوف تؤدي المقابس غير المعدلة والمنافذ المطابقة إلى تقليل خطر حدوث صدمة كهربائية.

ب. تجنب ملامسة الجسد للأسطح المؤرضة مثل الأنابيب والمشعاع والثلاجات. فإذا تلامس الجسد بسطح مؤرض، فسوف يزداد خطر حدوث صدمة كهربائية.

ج. لا تعرض الأجهزة الكهربائية للمطر أو لظروف رطبة. فإن دخول الماء إلى الجهاز الكهربائي يؤدي إلى زيادة خطر حدوث صدمة كهربائية.

د. لا تسى استخدام السلك. لا تستخدم السلك في حمل أو سحب الجهاز الكهربائي أو نزع من المقبس. احرص على إبعاد السلك عن الحرارة والنظف والحواف الحادة أو الأجزاء المتحركة. حيث إن الأسلاك التالفة أو المتشابكة تزيد من خطر حدوث صدمة كهربائية.

هـ. عند تشغيل الجهاز في الخارج، استخدم سلك تمديد مناسب للاستخدام الخارجي. حيث إن استخدام سلك مناسب للاستخدام الخارجي يقلل من خطر حدوث صدمة كهربائية.

و. إذا كان يجب تشغيل الجهاز الكهربائي في مكان رطب، فاستخدم موصل محمي لقاطع الدورة (RCD). إن استخدام قاطع الدورة يقلل من خطر حدوث صدمة كهربائية.

٣. السلامة الشخصية

أ. توخ الحذر وراقب ما تقوم به واستخدم حسك العام عند تشغيل جهاز كهربائي. لا تستخدم أي جهاز كهربائي حينما تكون مرهقاً أو تحت تأثير المخدرات أو الكحول أو الدواء. قد تؤدي لحظة عدم انتباه واحدة أثناء تشغيل الأجهزة الكهربائية إلى وقوع إصابة شخصية خطيرة.

ب. استخدم معدات الحماية الشخصية. احرص دوماً على ارتداء واقي العينين. إن استخدام معدات الحماية مثل قناع الأتربة وأحذية السلامة المقاومة للانزلاق والخوذة الصلبة وواقي الأذن في الظروف المناسبة يقلل من وقوع الإصابات الشخصية.

## Names & Addresses for STANLEY Service Concessionaries - MIDDLE EAST & AFRICA

**ALGERIA:** Sarl Outillage Corporation, 08 Rue Med Boudiaf - Cheraga - Algiers, Algeria. Tel: (213-21) 375130, Fax: (213-21) 369667. **ANGOLA:** Angoferraria, Lda., Rua Robert Shields, No. 61, Luanda, Angola. Tel: 00244-222-395837 / 222-395034, Fax: 00244-222-394790. **AZERBAIJAN:** Royalton Holdings Ltd. 41 Khagani St. Apt. 47 AZ 1001, Baku. Tel: (994-12) 4935544, Fax: (994-12) 5980378. **BAHRAIN:** Kavalani & Sons W.L.L., P.O. Box 71, Sitra, Manama. Tel: (973) 17732888, Fax: (973) 17737379. Alfouz Services Co. W.L.L., P.O. Box 26562, Tubli, Manama. Tel: (973) 17783562, Fax: (973) 17783479. **EGYPT:** El Farab S.A.E., 15-Nabil El Wakkad Street, Dokki, Giza, Egypt. Tel: 00202-37603946 / 002-010-2582544, Fax: 00202-33352796. **ETHIOPIA:** Seif Tewfik Sherif, Arada Sub-City, Kebele 01/02, Global Insurance Building, 2nd Floor, Room 43, P.O. Box 2525, Addis Ababa, Ethiopia. Tel: (251-11) 1563968/ 1563969, Fax: (251-11) 1558009. **IRAQ:** Financial Links, Kazzaz Building Ararat Al-Hindia Block No: 629 Street: 31 Building No: 1 Baghdad - Iraq. Tel: 00964 (0)780 195 2223/ 00964 (0)781 3763044. Al Sard Co. for General Trading Ltd. Jbara Bldg. 3Flr, Al Rasheed St. Baghdad. Tel: (964) 18184102. Sakhar Group, Arrasat al-hindya Al Masbah, Baghdad. (964) 7400144446. **JORDAN:** Palestine Bldg. (Bashiti Hardware), 93 King Abdullah 2nd Street. Opp. ELBA House, P.O. Box 3005, Amman 11953, Tel: (962-6) 5349098, Fax: (962-6) 5330731. **KENYA:** Dextron Tools Ltd., P.O. Box 20121-00200, Shariff House, Kimathi Street, Nairobi. Tel: (254-20) 6905000/ 2358021, Fax: (254-20) 6905111/ 6905112. **KUWAIT:** Al Omar Technical Co., P.O. Box 4062, 13041 Safat, Kuwait. Tel: (965) 24848595/ 24840039, Fax: (965) 24845652. Fawaz Al Zayani Establishment, P.O. Box 42426, Shop No. 18, Al Humaizi Commercial Complex, Khalifa Al Jassim, Shuwaikh, Kuwait. Tel: (965) 24828710, Fax: (965) 24828716. Fawaz Al Zayani Establishment, P.O. Box 42426, Shop No.18, Al Humaizi Commercial Complex, Khalifa Al Jassim, Shuwaikh, Kuwait. Tel: (965) 24828710, Fax: (965) 24828716. **LEBANON:** Est. Shaya & Azar S.A.R.L., Boulevard Jdeideh - Mar Takla - Bouchrieh. P.O. Box 90545 Jdeideh.Beirut - Lebanon. Tel: 00961 1 872305 / 306 , Fax: 00961 1 872303. **LIBYA:** North Africa Trading ( El Ghoul Brothers), AlHilal Service Center Tawergha St. Misurata. Tel: 00218-091-3221408. **(Benghazi)** Sniydal st., Amr Ibn El-Aas Rd. Tel: (+218) 92 5771120. **(Tripoli)** Al Barniq Service Center, Mokhazin elskar st., ElFallah. Tel: (+218) 21 4808019. **(Misrata)** Al Hilal Service Center, Tawergha st. Tel: (+218) 51 2626743. **MAURITIUS:** Robert Le Marie Limited, Old Moka Road, Bell Village, P.O. Box 161, Port Louis. Tel: 00230-212 1865/ 212 2847, Fax: 00230-2080843. **MOROCCO:** Ets Louis Guillaud & Cie, 149, Quartier Industriel, Moulay Rachid, Casablanca, Postal Code 20450, Morocco. Tel: 00212-522729233, Fax: 00212-522729096. **NIGERIA:** Meridian Power Tools Ltd., Gr.Floor, #1 Alhaji Masha Rd, Next to Teslim Balogun Stadium, Near National Stadium Surulere, Lagos, Nigeria. Tel: 00234-1-7740431 / 7740410, Fax: 00234-1-7913798. **OMAN:** Al Jizzi Company LLC, P.O. Box 1704, PC 112 Ruwi, Oman. Tel: (968) 24832618/ 24835153, Fax: (968) 24831334/24836460. Al Hassan Technical & Construction Supplies Co. LLC, P.O. Box 1948, P.C. 112, Ruwi. Tel: (968) 24810575 / 24837054, Fax: (968) 24810287/ 24833080. Oman Hardware Co. LLC, P.O. Box 635, Ruwi Postal Code 112, Te. (968) 24815131, Fax: (968) 24816491. Khimji Ramdas, P.O. Box 19, Post Code 100, Ghala, Muscat, Oman. Tel: (968) 24595906/ 907, Fax: (968) 24852752. Oman Marketing & Service Co. (Omasco), P.O. Box 2734, Behind Honda Showroom, Wattayah, Oman. Tel: (968) 24560232/ 24560255, Fax: (968) 24560993. Oman Marketing & Service Co. (Omasco), Al Ohi, Sohar, Oman. Tel: (968) 26846379, Fax: (968) 26846379. Oman Marketing & Service Co. (Omasco), Sanaya, Salalah, Oman. Tel: (968) 23212290, Fax: (968) 23210936. **PAKISTAN:** ZIT Co - Nasir & Bros., 2nd Floor, Qadri Center, Chokwal Dargan Railway Road, Lahore, Pakistan. Tel: 0092 42 37670839, Fax: 0092 42 37652989. Ammar Service & Spares, 60-Bank Arcade, Serai Road, Karachi, Pakistan. Tel: (92-21) 32426905, Fax: (92-21) 32427214. **QATAR:** Teyseer Industrial Supplies & Services Co. W.L.L, 55, Al Wakalat St. (Between St. 18 & 19) Salwa Industrial Area, P.O. Box 40523 Doha, Qatar. Tel: (974) 44581536, Fax: (974) 44682024. Shaheen Electrical Works & Trading Co. W.L.L, Gate 34, St. 44 Industrial Area P.O. Box 9756, Doha, Qatar. Tel: (974) 44600230 / 44600525, Fax: (974) 44601338. Al Mufah Service Centre, Al Wakrah Road, P.O. Box 875, Doha, Qatar. Tel: (974) 44650880/ 44650110/ 44446868, Fax: (974) 44441415 / 44662599. **SAUDI ARABIA: (Al Bahr)** Mohamed Ahmed Bin Afif Est., P.O. Box 530, Yanbu, Al Bahr. Tel: (966-4) 3222626/ 3228867, Fax: (966-4) 3222210. **(Al Khobar)** Fawaz Ebrahim Al Zayani Trading Est., P.O. Box 76026, Al Khobar # 31952, Tel: (966-3) 8140914, Fax: (966-3) 8140824. MSS (Al-Mojil Supply & Services) P.O. Box 450, Jubail 31951, Opp. Gulf Bridge Library & Riyadh House. Tel: (966-3) 3612850/ 3624487/ 3621729, Fax: (966-3) 3623589/ 3620783. **(Dammam)** MSS (Al-Mojil Supply & Services), P.O. Box 450, Jubail 31951, Opp-Gulf Bridge Library & Riyadh House. Tel: (966-3) 3612850 / 3624487 / 3621729, Fax: (966-3) 3623589 / 3620783. **(Al Bawardi Tools & Hardware)**, P.O. Box 112, Dammam. Tel: (966-3) 8330780 Ext.24 / 8348585 Ext. 24 / +966-3-8335555, Fax: (966-3) 8336303. **(Al Hassa)** Mutawa Trading & Gen. Services, Maliki road Hafuf city, Al Hassa, KSA. Tel: (966) 50286275 **(Jeddah)** Al Bawardi Tools & Hardware, P.O. Box 16905, Jeddah 21474, Tel: (966-2) 6444547 / 6439035 / 6456095, Fax: (966-2) 6439024. EAC (Al Yousef Contg. & Trdg. Est.), P.O. Box 30377, Jeddah -21477, Tel: (966-2) 6519912, Fax: (966-2) 6511153. **(Madina)** Garziz Trading for Bldg Mat & Decoration, P.O. Box 3364, Madina. Tel: (966-4) 826 14 90 / 8227636, Fax: (966-4) 8265741. **(Riyadh)** Industrial Material Organization (IMO), P.O. Box 623, Rtd Street ,Riyadh, Tel: (966-1) 4028010 Ext 26 / 8001245757, Fax: (966-1) 4037970. Sultan Garment Factory (RSC), P.O. Box 29912, Riyadh 11467, KSA, Tel: (966-1) 4055148 / 4042889, Fax: (966-1) 4055148. Al Bawardi Tools & Hardware, P.O. Box 68, Riyadh 11411, Tel: (966-1) 4484999, Fax: (966-1) 4487877. **(Yanbu)** Fawaz Ebrahim Al Zayani, Opposite to Al Fouzan, Jeddah highway or King Abdul Aziz road, Yanbu. Tel: (966-4) 3960980, Fax: (966-4) 3961980. Mohamed Ahmed Bin Afif Est., P.O. Box 530, Yanbu, Al Bahr, Tel: (966-4) 3222626/ 3228867, Fax: (966-4) 3222210. **SOUTH AFRICA:** Stanley Black & Decker - RSA, 199 Winetree Drive Stormill Exit 9 Rooodepoort. Tel: (2711) 472 0454, Fax: (2711) 472 0482. Trevco Power Tool Service 14 Steenbok Street, Koedoespoort, 0186, Pretoria, South Africa. Tel: (27-86) 1873826, Fax: (27-86) 5001771. **TANZANIA:** General Motors investment Ltd., P.O. Box 16541, 14 Nyerere Road, Vingunguti, Dar-es-Salaam. Tel: (255 22) 2862661/ 2865022, Fax: (255 22) 2862667. **TUNISIA:** Societe Tunisienne De Maintenance (STM), Rue de la Physique. Nouvelle Zone Industrielle Ben Arous, 2013 Ben Arous, Tunisia. Tel: (+216) 79 389687, Fax: (+216) 71 385154. **UAE: (Abu Dhabi)** Light House Electrical, P.O. Box 120, Abu Dhabi. Tel: (971-2) 6726131, Fax: (971-2) 6720667. Galaxy Equipment Trading, Madinat Zayed (Baada Zaid), Abu Dhabi P.C. 58910, Tel: (971-2) 8844279, Fax: (971-2) 8844297 **(Ajman)** Al Sukoon Gen. Trdg. Co. LLC, P.O. Box 2975, Ajman. Tel: (971-6) 7435725/ 7438317, Fax: (971-6) 7437350, Al Sukoon Gen. Trdg. Co. LLC, P.O. Box 2975, Ajman, Tel: (971-6) 7435725 / 7438317, Fax: (971-6) 7437350 **(Al Ain)** Zillion Equipment and Spare Parts Trading LLC, P.O. Box 19740, Opp. Bin Sada/ Trimix Redymy Sanaiya, Al Ain. Tel: (971-3) 7216690, Fax: (971-3) 7216103. **(Dubai)** Black & Decker (Overseas) GmbH, P.O. Box 5420, Dubai. Tel: (971-4) 8127400/ 8127406, Fax: (971-4) 82822765. Ideal Star Workshop Eqp't.Trading LLC, P.O. Box 37116, Al Quoz, Dubai. Tel: (971-4) 3474160, Fax: (971-4) 3474157, Fine Tools, P.O.Box 30139, Al Quoz, Dubai, Tel: (971-4) 3385240, Fax: (971-4) 3385239, Albrech Engineering Service, P.O. Box 78954, Al Qusais , Dubai. Tel: (971-4) 2850044, Fax: (971-4) 2848402. **(Musafah)** Light House Electrical, P.O. Box 120, Abu Dhabi. Tel: (971-2) 5548315, Fax: (971-2) 5540461. **(Sharjah)** Mc Coy Middle East LLC, P.O. Box 25793, Sharjah. Tel: (971-6) 5395931, Fax: (971-6) 5395932. Burj Al Madeena, Industrial Area No.1, Opp. Pakistani Masjid, P.O. Box 37635, Sharjah. Tel: (971-6) 5337747, Fax: (971-6) 5337719. Burj Al Madeena , Industrial Area No 1, opp Pakistani Masjid P.O. Box 37635, Sharjah. Tel: (971-6) 5337747, Fax: (971-6) 5337719 **(Ras Al Khaimah)** Mc Coy Middle East LLC, P.O. Box 10584, Ras Al Khaimah. Tel: (971-7) 2277095, Fax: (971-7) 2277096. **UGANDA:** The Building Center (U) Ltd., 52 Station Road, Kitgum House, P.O. Box 7436, Kampala, Uganda. Tel: (256-41) 4234567/ 4259754, Fax: (256-41) 4236413. **YEMEN: (Aden)** Middle East Trad. Co. Ltd. (METCO), Mualla Dakka, Aden, Yemen. Tel: (967-2) 222670, Fax: (967-2) 222670. **(Sana'a)** Middle East Trad. Co. Ltd. (METCO), Hayel St., Sana'a, Yemen. Tel: (967-1) 204201, Fax: (967-1) 204204. **(Taiz)** Middle East Trading Co. (METCO), P.O. Box 12363, 5th Flr, Hayel Saeed Anam Bldg, Al-Mugammah St. Taiz, Yemen. Tel: (967-4) 213455, Fax: (967-4) 219869.

