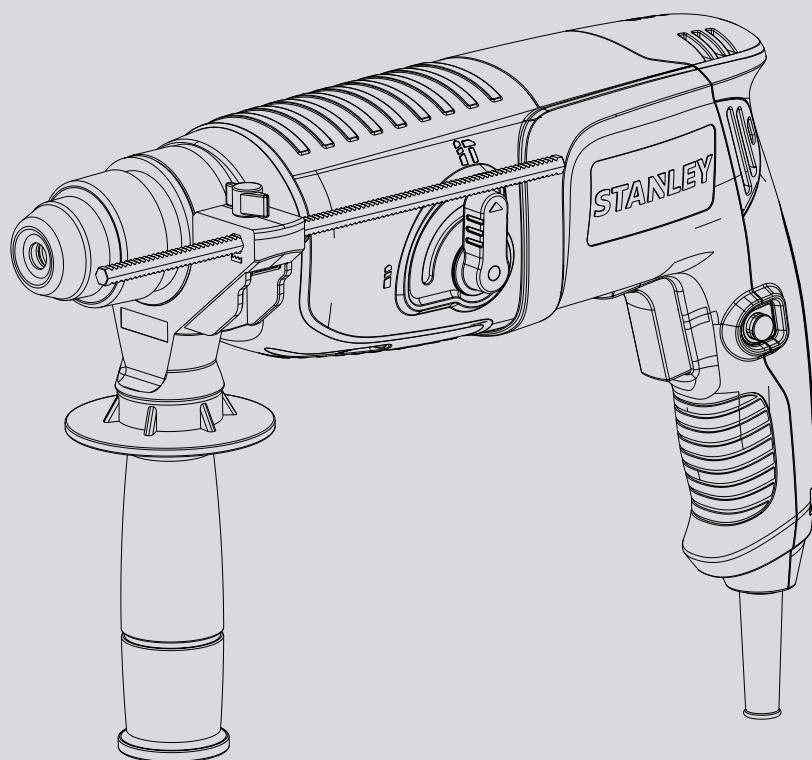


STANLEY



STHR202

English	Page 3
Russian	Page 11
Ukrainian	Page 20

FIG. A

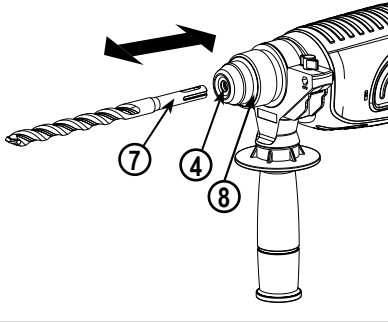


FIG. B

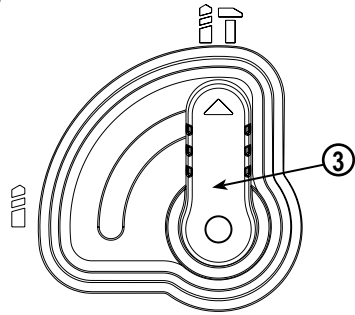


FIG. C

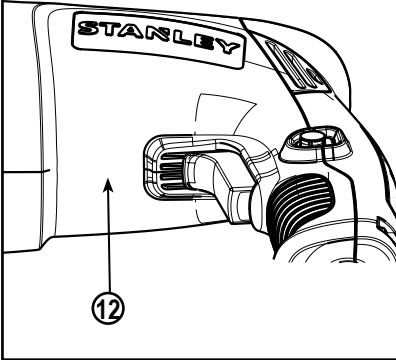


FIG. D

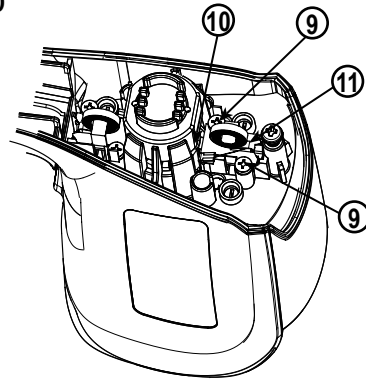


FIG. E

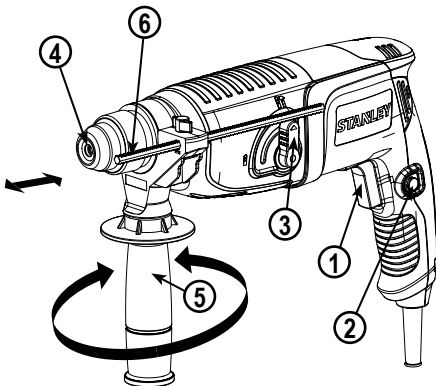
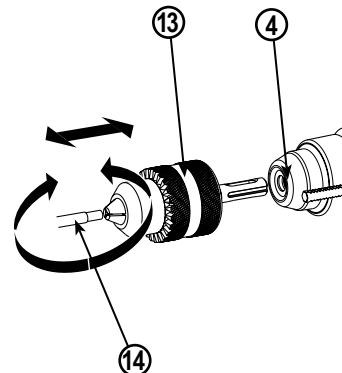


FIG. F



Technical data

Rotary hammer		STHR202
Power input	W	620
Voltage	V	220-240
Frequency	Hz	50/60
No-load speed	/min	0-1250
Impact rate	BPM	0-3900
Impact energy	J	1.34
Modes		2
Max drilling capacity		
Concrete	mm	20
Steel	mm	13
Wood	mm	25
Weight	kg	2.6

Intended use

Your STANLEY SDS plus rotary hammer is intended to drill holes in concrete, bricks, wood, and steel.

Safety instructions

General Power Tool Safety Warnings



Warning! Read all safety warnings and all instructions. Failure to follow the warnings and instructions may result in electric shock, fire and/or serious injury.

Save all warnings and instructions for future reference.

The term "power tool" in the warnings refers to your mainsoperated (corded) power tool or battery-operated (cordless) power tool.

1. Work area safety

- Keep work area clean and well lit.** Cluttered or dark areas invite accidents.
- Do not operate power tools in explosive atmospheres, such as in the presence of flammable liquids, gases or dust.** Power tools create sparks which may ignite the dust or fumes.
- Keep children and bystanders away while operating a power tool.** Distractions can cause you to lose control.

2. Electrical safety

- Power tool plugs must match the outlet. Never modify the plug in any way. Do not use any adapter**

plugs with earthed (grounded) power tools.

Unmodified plugs and matching outlets will reduce risk of electric shock.

- Avoid body contact with earthed or grounded surfaces, such as pipes, radiators, ranges and refrigerators.** There is an increased risk of electric shock if your body is earthed or grounded.
- Do not expose power tools to rain or wet conditions.** Water entering a power tool will increase the risk of electric shock.
- Do not abuse the cord. Never use the cord for carrying, pulling or unplugging the power tool. Keep cord away from heat, oil, sharp edges or moving parts.** Damaged or entangled cords increase the risk of electric shock.
- When operating a power tool outdoors, use an extension cord suitable for outdoor use.** Use of a cord suitable for outdoor use reduces the risk of electric shock.
- If operating a power tool in a damp location is unavoidable, use a residual current device (RCD) protected supply.** Use of an RCD reduces the risk of electric shock.

Note: The term "residual current device (RCD)" may be replaced by the term "ground fault circuit interrupter (GFCI)" or "earth leakage circuit breaker (ELCB)".

3. Personal safety

- Stay alert, watch what you are doing and use common sense when operating a power tool. Do not use a power tool while you are tired or under the influence of drugs, alcohol or medication.** A moment of inattention while operating power tools may result in serious personal injury.
- Use personal protective equipment. Always wear eye protection.** Protective equipment such as dust mask, nonskid safety shoes, hard hat, or hearing protection used for appropriate conditions will reduce personal injuries.
- Prevent unintentional starting. Ensure the switch is in the off-position before connecting to power source and/ or battery pack, picking up or carrying the tool.** Carrying power tools with your finger on the switch or energising power tools that have the switch on invites accidents.
- Remove any adjusting key or wrench before turning the power tool on.** A wrench or a key left attached to a rotating part of the power tool may result in personal injury.
- Do not overreach. Keep proper footing and balance at all times.** This enables better control of the power tool in unexpected situations.
- Dress properly. Do not wear loose clothing or jewellery. Keep your hair, clothing and gloves away**

from moving parts. Loose clothes, jewellery or long hair can be caught in moving parts.

- g. If devices are provided for the connection of dust extraction and collection facilities, ensure these are connected and properly used.** Use of dust collection can reduce dust-related hazards.

4. Power tool use and care

- a. Do not force the power tool. Use the correct power tool for your application.** The correct power tool will do the job better and safer at the rate for which it was designed.

- b. Do not use the power tool if the switch does not turn it on and off.** Any power tool that cannot be controlled with the switch is dangerous and must be repaired.

- c. Disconnect the plug from the power source and/or the battery pack from the power tool before making any adjustments, changing accessories, or storing power tools.** Such preventive safety measures reduce the risk of starting the power tool accidentally.

- d. Store idle power tools out of the reach of children and do not allow persons unfamiliar with the power tool or these instructions to operate the power tool.** Power tools are dangerous in the hands of untrained users.

- e. Maintain power tools. Check for misalignment or binding of moving parts, breakage of parts and any other condition that may affect the power tool's operation. If damaged, have the power tool repaired before use.** Many accidents are caused by poorly maintained power tools.

- f. Keep cutting tools sharp and clean.** Properly maintained cutting tools with sharp cutting edges are less likely to bind and are easier to control.

- g. Use the power tool, accessories and tool bits etc. in accordance with these instructions, taking into account the working conditions and the work to be performed.** Use of the power tool for operations different from those intended could result in a hazardous situation.

5. Service

- a. Have your power tool serviced by a qualified repair person using only identical replacement parts.** This will ensure that the safety of the power tool is maintained.

*** Note:** Mains voltage: When connecting to the mains, it is imperative to verify if the voltage of the mains matches that of the power tool. If the mains voltage exceeds the voltage indicated on the power tool, the user may become severely

injured in an accident, and the tool may be damaged. On the contrary, if the mains voltage is lower than the voltage required by the tool, the motor may be damaged as a result. Thus, if it is not possible to verify the voltage, it is imperative not to plug in to the power source.

Hammer safety warnings

- **Wear ear protectors.** Exposure to noise can cause hearing loss.
- **Use auxiliary handle(s), if supplied with the tool.** Loss of control can cause personal injury.
- **Hold power tool by insulated gripping surfaces, when performing an operation where the cutting accessory may contact hidden wiring or its own cord.** Cutting accessory contacting a "live" wire may make exposed metal parts of the power tool "live" and could give the operator an electric shock.
- Never use a chisel accessory in rotary mode. The accessory will bind in the material and rotate the drill.
- Use clamps or another practical way to secure and support the workpiece to a stable platform. Holding the work by hand or against your body leaves it unstable and may lead to loss of control.
- Before drilling into walls, floors or ceilings, check for the location of wiring and pipes.
- Avoid touching the tip of the drill bit after drilling so as to avoid scalding.
- The intended use is described in this instruction manual. The use of any accessory or attachment or performance of any operation with this tool other than those recommended in this instruction manual may present a risk of personal injury and/or damage to property.

Safety of others

- This appliance is not intended for use by persons (including children) with reduced physical, sensory or mental capabilities, or lack of experience and knowledge, unless they have been given supervision or instruction concerning use of the appliance by a person responsible for their safety.
- Children should be supervised to ensure that they do not play with the appliance.

Other risks

Additional residual risks may arise when using the tool which may not be included in the enclosed safety warnings. These risks can arise from misuse, prolonged use etc. In spite of the application of the relevant safety regulations and the implementation of safety devices, certain risks cannot be avoided. These are:

- Injuries caused by touching any rotating/moving parts.
- Injuries caused when changing any parts, blades or accessories.
- Injuries caused by prolonged use of a tool. When using any tool for prolonged periods ensure you take regular breaks.
- Impairment of hearing.
- Health hazards caused by breathing dust developed when using your tool (example:- working with wood, especially oak, beech and MDF.)

Labels on tool

The label on your tool may include the following symbols:



Read Instructions Manual

Hz Hertz

W Watts

min minutes

~ Alternating Current

----- Direct Current

V Volts

A Amperes

n_0 No-Load Speed



..... Class II Construction



..... Earthing Terminal



..... Safety Alert Symbol



...../min.. Revolutions or Reciprocation per minute

Position of date barcode (Fig.C)

The Date Code(12), which also includes the year of manufacture, is printed into the housing.

Example:

2014 XX JN
Year of manufacturing

Electrical Safety



Your tool is double insulated; therefore no earth wire is required. Be sure to check that the power supply corresponds to the voltage on the rating plate. Corresponds.

- If the supply cord is damaged, it must be replaced by the manufacturer or an authorised STANLEY Service Centre in order to avoid a hazard.

Using an Extension Cable

If it is necessary to use an extension cable, please use an approved extension cable that fits the tool's power input specifications (please refer to the technical data). The minimum cross-sectional area of the conducting wire is 1.5 sq. mm. Cables should be untangled before reeling up.

Please refer to the following table.

Cable cross-sectional area (mm ²)	Cable rated current (Ampere)
0.75	6
1.00	10
1.50	15
2.50	20
4.00	25
Cable length (m)	
	7.5 15 25 30 45 60

Voltage	Amperes	Cable rated current (Ampere)
115	0 - 2.0	6 6 6 6 6 10
	2.1 - 3.4	6 6 6 6 15 15
	3.5 - 5.0	6 6 10 15 20 20
	5.1 - 7.0	10 10 15 20 20 25
230	7.1 - 12.0	15 15 20 25 25 -
	12.1 - 20.0	20 20 25 - - -
	0 - 2.0	6 6 6 6 6 6
	2.1 - 3.4	6 6 6 6 6 6
	3.5 - 5.0	6 6 6 6 10 15
	5.1 - 7.0	10 10 10 10 15 15
	7.1 - 12.0	15 15 15 15 20 20
	12.1 - 20.0	20 20 20 20 25 -

Features (Fig. E)

This tool includes some or all of the following features.

1. Variable speed switch
2. Lock-on button
3. Mode selector
4. Tool clamp
5. Side handle
6. Depth stop

Assembly

Warning! Before assembly, make sure that the tool is switched off and unplugged.

Attaching the Side Handle (fig. E)

Warning! When drilling holes in concrete or bricks, please use the side handle for your safety.

- Turn the grip counterclockwise until you can slide the side handle onto the front of the tool.
- Rotate the side handle into the desired position.
- Tighten the side handle by turning the grip clockwise.

Warning! When using the tool, remember to install the side handles properly.

Fitting an accessory (fig.A)

- Clean and grease the shank (7) of the accessory.
- Insert the accessory bar into the tool clamp(4).
- Push the accessory down and turn it slightly until it fits into the slots.
- Pull on the accessory to check if it is properly locked. The hammering and drilling function requires the accessory to be able to move axially several centimetres when locked in the tool clamp.
- To remove the accessory, pull back the sleeve (8) and pull out the accessory from the tool clamp.

Use

Warning! Please operate tool with normal load. Do not overload.

Warning! Before drilling into walls, floors or ceilings, check for the location of wiring and pipes.

Selecting the Operating Mode (fig. B)

The tool can be used in two operating modes. Based on actual work requirements, the drilling mode selector (3) can be rotated to the required position.

Hole drilling (Fig. B) (Fig. F)

- For drilling in steel, wood and plastics, set the operating mode selector (3) to the **2** position. At the same time, it is necessary to use a suitable drill chuck (13) (optional accessory) to clamp the attachment rod.
- Insert the drill chuck (13) into the tool chuck (4) according to the instructions for installing attachments. Turn the drill chuck to loosen the clamps at the front-end of the drillclamp, and insert the accessory bar (14) into the clamps and turn the chuck in the opposite direction. You may also use the drill chuck key to tighten the clamp.

Hammer drilling (Fig. B)

- For hammer drilling in masonry and concrete, set the operating mode selector (3) to the **T2** position.
- The drill bit has to be placed accurately onto the drill hole position. After that, pull the switch for optimal effects. Make sure the tool is in the correct position to prevent the drill from deviating from the hole.
- When the drill hole is clogged with debris or fine powder, please don't exert any more pressure. Tool should be put in free-running state before removing part of the drill bit from the hole. If repeated a few times, the blockage in the hole would be cleared, and normal drilling can resume.



Warning! When the drill bit hits cement or the steel rebar in the cement, the tool may recoil dangerously. Please hold the tool tightly in a balanced and stable position at all times to prevent it from recoiling dangerously.

Overload coupling device

If the drill bit his caught or hooked, the driving force transmitted to the drill shaft will be cut off. This would generate a strong recoil, so it would be necessary to hold the tool tightly with both hands to remain in a stable position.

Setting the drilling depth (Fig. E)

The depth stop is a convenient feature to ensure uniformity in drilling depth. Loosen the side handle to adjust the depth gauge according to the required depth. After that, tighten the side handle.

- Slacken the side handle (5) by turning the grip counterclockwise.
- Set the depth stop (6) to the required position. The maximum drilling depth is equal to the distance between the tip of the drill bit and the front end of the depth stop.
- Tighten the side handle by turning the grip clockwise.

Switching on and off

Warning! Before plugging in to the power source, make sure the switch can be flipped freely, and can return to its original position once released.

- To switch the tool on, press the variable speed switch (1). The tool speed depends on how far you press the switch.
- As a general rule, use low speeds for large diameter drill bits and high speeds for smaller diameter drill bits.
- For continuous operation, press the lock-on button (2) and release the variable speed switch.

- To switch the tool off, release the variable speed switch. To switch the tool off when in continuous operation, press the variable speed switch once more and release it.

Accessories

The performance of your tool depends on the accessory used. STANLEY accessories are engineered to high quality standards and designed to enhance the performance of your tool. By using these accessories you will get the very best from your tool.

Maintenance

Your STANLEY corded/cordless appliance/tool has been designed to operate over a long period of time with a minimum of maintenance. To ensure satisfactory operations, the tool must be maintained and cleaned regularly

Warning! Before performing any maintenance on corded/cordless power tools:

- Switch off and unplug the appliance/tool.
- Or switch off and remove the battery from the appliance/tool if the appliance/tool has a separate battery pack.
- Or run the battery down completely if it is integral and then switch off.
- Unplug the charger before cleaning it. Your charger does not require any maintenance apart from regular cleaning.
- Regularly clean the ventilation slots in your appliance/tool/ charger using a soft brush or dry cloth.
- Regularly clean the motor housing using a damp cloth. Do not use any abrasive or solvent-based cleaner.
- Regularly open the chuck and tap it to remove any dust from the interior (when fitted).

Replace the carbon brush (Fig. D)



Lubrication

- Regularly replace and inspect the carbon brush. Once completely worn out by continuous wear and tear, it will have to be replaced. Must keep carbon brush clean and sliding freely within the brush holder. Both carbon brushes have to be replaced at the same time.
- Remove the fixed screws (9) on the carbon brush to remove the carbon brush (10) and brush holder.
- Remove the coil spring supporting the carbon brush (11) in the brush holder, and insert a new carbon brush that meets the specifications.
- Set up the brush holder again and return the supporting coil spring to its original position.



Cleaning



Warning! Blow dirt and dust out of the main housing with dry air as often as dirt is seen collecting in and around the air vents. Wear approved eye protection and approved dust mask when performing this procedure.



Warning! Never use solvents or other harsh chemicals for cleaning the non-metallic parts of the tool. These chemicals may weaken the material of the parts. Use only mild soap and damp cloth to clean the tool. Never let any liquid get inside the tool; never immerse any part of the tool into liquid.

Protecting the environment



Separate collection. This product must not be disposed of with normal household waste.

Should you find one day that your STANLEY product needs replacement, or if it is of no further use to you, do not dispose of it with household waste. Make this product available for separate collection.



Separate collection of used products and packaging allows materials to be recycled and used again. Re-use of recycled materials helps prevent environmental pollution and reduces the demand for raw materials.

Local regulations may provide for separate collection of electrical products from the household, at municipal waste sites or by the retailer when you purchase a new product. STANLEY provides a facility for the collection and recycling of STANLEY products once they have reached the end of their working life. To take advantage of this service please return your product to any authorised repair agent who will collect them on our behalf.

You can check the location of your nearest authorised repair agent by contacting your local STANLEY office at the address indicated in this manual. Alternatively, a list of authorised STANLEY repair agents and full details of our after-sales service and contacts are available on the Internet at: www.2helpU.com

Two years full warranty

If your STANLEY product becomes defective due to faulty materials or workmanship within 24 months from the date of purchase, STANLEY Europe guarantees to replace all defective parts free of charge or – at our discretion – replace the unit free of charge provided that:

- The product has not been misused and has been used in accordance with the instruction manual.
- The product has been subject to fair wear and tear;
- Repairs have not been attempted by unauthorised persons;
- Proof of purchase is produced.
- The STANLEY product is returned complete with all original components

If you wish to make a claim, contact your seller or check the location of your nearest authorised STANLEY repair agent in the STANLEY catalogue or contact your local STANLEY office at the address indicated in this manual. A list of authorised STANLEY repair agents and full details of our after sales service is available on the internet at: www.stanleytools.com

рис. А

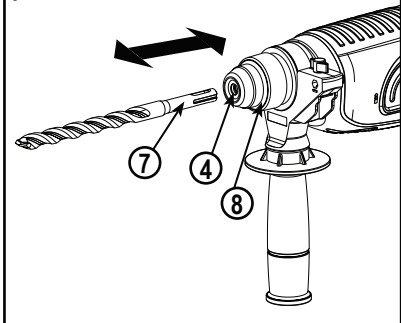


рис. В

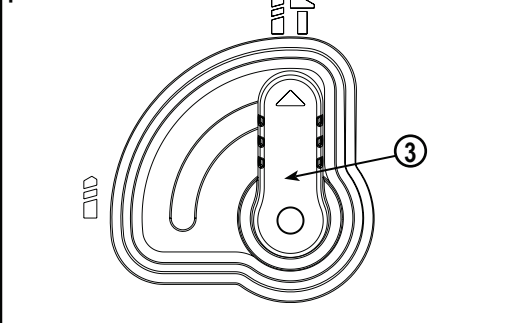


рис. С

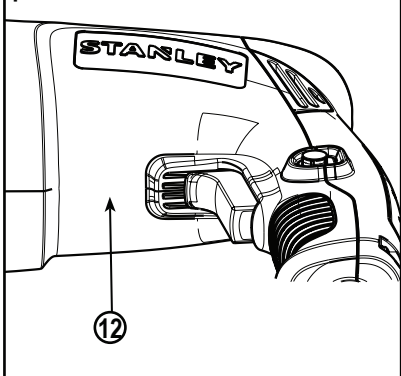


рис. D

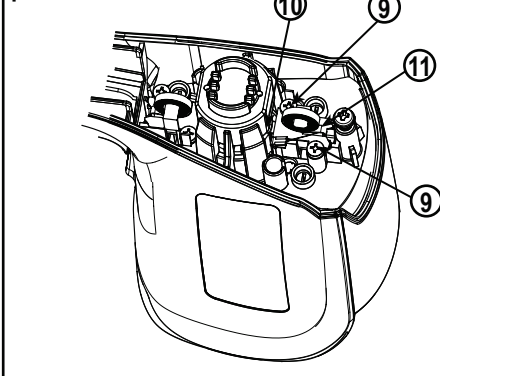


рис. E

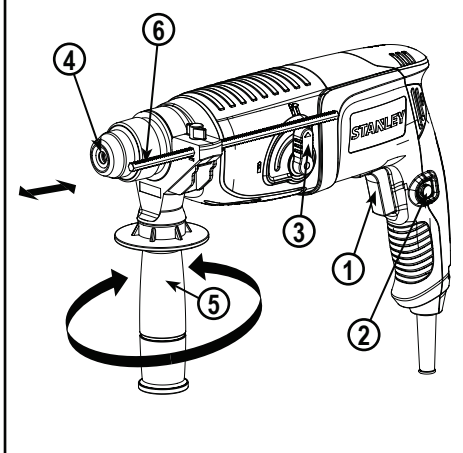
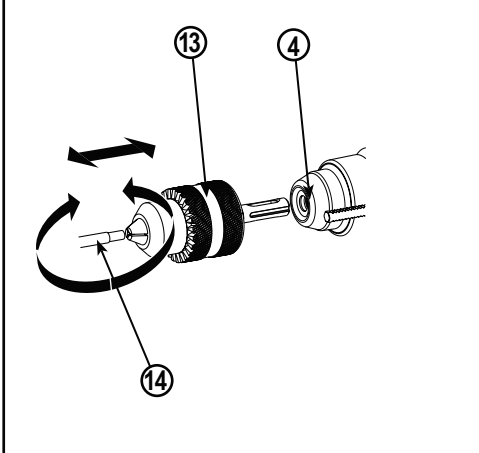


рис. F



Технические данные

Бурильный молоток для вращательного бурения		STHR202
Входная мощность	W	620
Напряжение	V	220-240
Частота	Hz	50/60
Скорость без нагрузки	/мин	0-1250
Частота ударов	bpm	0-3900
Энергия удара	J	1,34
Режимы		2
Макс диаметр сверления		
Бетон	мм	20
Сталь	мм	13
Дерево	мм	25
Масса	кг	2,6

Использование по назначению

Ваш STANLEY SDS плюс бурильный молоток для вращательного бурения предназначен для сверления отверстий в бетоне, кирпиче, дереве и стали.

Правила техники безопасности

Общие предупреждения по технике безопасности электроинструментов



Внимание! Ознакомьтесь со всеми правилами безопасности и инструкциями. Несоблюдение предупреждений и инструкций, указанных ниже, может привести к поражению электрическим током, пожару и/или серьезной травме.

Сохраните все предупреждения и инструкции для будущего использования.

Термин "электроинструмент" во всех предупреждениях, указанных ниже, относится к вашему сетевому (с кабелем) электроинструменту или аккумуляторному электроинструменту (без кабеля питания).

1. Безопасность рабочего места

- a. **Содержите рабочее место в чистоте и хорошо освещенным.** Беспорядок на рабочем месте или отсутствие освещения рабочего места может привести к аварии.
- b. **Не работайте с электроинструментом в месте хранения взрывоопасных материалов, например, в присутствии огнеопасных жидкостей, газов или пыли.** Электрические инструменты создают искры, которые могут

воспламенить пыль или пары.

- c. **Дети и посторонние лица должны находиться как можно дальше во время работы с электроинструментом.** Вы можете отвлечься и потерять контроль.

2. Электробезопасность

- a. **Вилка электроинструмента должна соответствовать розетке. Никогда не модифицируйте вилку каким-либо образом. Не используйте никакие вилки-переходники с заземленными (замкнутыми на землю) электроинструментами.** Вилки и розетки, которые не подвергались никаким изменениям снижают риск поражения электрическим током.
 - b. **Избегайте контакта тела с заземленными поверхностями, такими как трубы, радиаторы, плиты и холодильники.** Существует повышенный риск поражения электрическим током, если ваше тело заземлено.
 - c. **Избегайте любого воздействия дождя или влаги на электроинструменты.** Вода, попавшая в электроинструмент, увеличивает риск поражения электрическим током.
 - d. **Аккуратно обращайтесь со шнуром питания. Никогда не используйте шнур питания для переноски, перемещения или извлечения вилки из розетки. Держите шнур вдали от источников тепла, масла, острых краев или движущихся частей.** Поврежденные или запутанные шнуры увеличивают риск поражения электрическим током.
 - e. **При работе с электроинструментом на улице, используйте удлинитель, подходящий для наружного использования.** Использование кабеля, пригодного для использования на открытом воздухе, снижает риск поражения электрическим током.
 - f. **При необходимости работы с электроинструментом во влажной среде, используйте устройство защитного отключения (УЗО).** Использование УЗО снижает риск поражения электрическим током. Примечание: Термин "устройство защитного отключения (УЗО)" может быть заменен на "аварийный прерыватель заземления" или "автоматический выключатель тока утечки".
- #### 3. Личная безопасность
- a. **Будьте внимательны, смотрите, что вы делаете, используйте здравый смысл при работе с электроинструментом. Не используйте электроинструмент, если вы устали или находитесь под влиянием наркотиков, алкоголя или лекарств.** Малейшая неосторожность при работе с электроинструментом может привести к серьезным травмам.

- b. Используйте средства индивидуальной защиты. Всегда надевайте защитные очки. Другое защитное оборудование, включая респиратор, ботинки на нескользящей подошве, защитный шлем или средства защиты органов слуха, используемые в надлежащих условиях, уменьшат риск получения травмы.
- c. Для предотвращения случайного запуска, убедитесь, что переключатель находится в выключенном положении перед подключением к источнику питания и/или аккумуляторной батарее, поднятия или переноски инструмента. Не переносите электроинструмент с пальцем на выключателе и не включайте питание на инструмент с включенным выключателем, что может привести к несчастному случаю.
- d. Перед включением электроинструмента снимайте регулировочный или гаечный ключ. Гаечный или регулировочный ключ, оставленный на вращающейся части электроинструмента, может привести к травме.
- e. Не тянитесь. Сохраняйте правильную стойку и баланс все время. Это позволяет лучше контролировать инструмент в неожиданных ситуациях.
- f. Одевайтесь правильно. Не надевайте свободную одежду или украшения. Держите волосы, одежду и перчатки вдали от движущихся частей. Свободная одежда, украшения или длинные волосы могут попасть в движущиеся части.
- g. Если имеются устройства для подключения пылесборника или вытяжки, убедитесь в том, что они подсоединены и используются правильно. Использование пылесборника снижает вероятность возникновения рисков, связанных с пылью.
4. Использование и уход за электроинструментом
- a. Не перегружайте электроинструмент. Используйте подходящий электрический инструмент для соответствующего применения. Правильно подобранный электроинструмент позволит выполнить работу лучше и безопаснее при скорости, для которой он был разработан.
- b. Не используйте электроинструмент, если переключатель не может его включить и выключить. Любой электроинструмент, который нельзя контролировать с помощью переключателя, опасен и должен быть отремонтирован.
- c. Отключите кабель питания от источника питания и/или аккумуляторный блок от электрического инструмента перед выполнением любых регулировок, замены принадлежностей или при хранении электроинструмента. Такие профилактические меры безопасности уменьшают риск непреднамеренного запуска электрического инструмента.
- d. Храните неиспользуемые электроинструменты в недоступном для детей месте и не позволяйте лицам, не знакомым с электроинструментом или данными инструкциями, работать с электроинструментом. Электроинструменты опасны в руках неопытных пользователей.
- e. Поддержание электроинструмента. Проверяйте разрегулированность или соединение подвижных частей, поломки частей и любые другие условия, которые могут повлиять на работу электроинструмента. При наличии повреждения, отремонтируйте электроинструмент перед использованием. Многие несчастные случаи являются следствием плохого ухода за электроинструментом.
- f. Держите режущий инструмент острым и чистым. Хорошо ухоженный режущий инструмент с острыми режущими кромками легче контролировать.
- g. Используйте электроинструмент, аксессуары и сверла в соответствии с данными инструкциями и в порядке, предназначенном для конкретного типа электрического инструмента, принимая во внимание условия и характер выполняемой работы. Использование электрического инструмента для операций, отличающихся от тех, для которых он предназначен может привести к опасной ситуации.
5. Обслуживание
- a. Обеспечьте, чтобы обслуживание и ремонт вашего электроинструмента проводился в авторизованном сервисном центре по ремонту с использованием только оригинальных запасных частей. Это станет гарантией безопасности электроинструмента.
- * **Примечание:** Напряжение сети: при подключении к сети, необходимо проверить, если напряжение сети совпадает с электроинструментом. Если напряжение в сети превышает напряжение, указанное на инструменте, пользователь может получить травмы и увечья в результате несчастного случая, а инструмент может быть поврежден. Если же напряжение сети ниже, чем напряжение, требуемое для инструмента, двигатель может быть поврежден. Таким образом, если невозможно, проверить напряжение, крайне важно не подключать инструмент к источнику питания.
- Предупреждения по безопасности для молота**
- Надевайте защитные наушники. Воздействие шума может привести к потере слуха.
 - Используйте дополнительные рукоятки, если они входят в комплект поставки инструмента. Потеря контроля может привести к травме.
 - Держите инструмент за изолированные поверхности во время работы, при которой режущий инструмент может задеть скрытую проводку или собственный кабель. При контакте









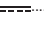
режущего аксессуара с «работающим» проводом или открытыми металлическими частями электроинструмента оператора может ударить электрическим током.

- Никогда не используйте долото в ротационном режиме. Аксессуар войдет в материал и приведет к вращению дрели.
- Используйте тиски или другое подходящее приспособление для обеспечения и поддержания обрабатываемого изделия на устойчивой платформе. Проведение работы по направлению руки или против вашего тела, лишает устойчивости и может привести к потере контроля.
- Перед сверлением стен, полов и потолков, проверьте местоположение электропроводки и труб.
- Не прикасайтесь к кончику сверла сразу после окончания сверления во избежание ожогов.
- Назначение инструмента описывается в данном руководстве. Использование любых аксессуаров или приспособлений или выполнение любых операций с помощью этого инструмента, не рекомендованных в данном руководстве, может представлять опасность получения травм и/или повреждения имущества.

- Травмы, вызванные продолжительным использованием инструмента. При использовании инструмента в течение продолжительного периода времени делайте регулярные перерывы в работе.
- Плохой слух
- Ущерб здоровью в результате вдыхания пыли при использовании инструмента (пример: работа с деревом, в особенности, с древесиной дуба, бука и древесноволокнистой плитой средней плотности)

Этикетки на инструменте

Этикетка на вашем инструменте может включать следующие символы:

	Читайте инструкции по эксплуатации	Гц Герц	 Конструкция класса II	
	Используйте средства защиты глаз	Вт Ватт	 Терминал заземления	
	Используйте средства защиты органов слуха	мин..... минуты	 Символ предупреждения об опасности	
		 Переменный ток	 обороты или возвратно-поступательное движение в минуту
		 Постоянный ток	
V	Вольт	n_0	Скорость без нагрузки		
A	Ампер				


Положение даты штрих-кода(рис. С)

Дата кода(12), который также включает год изготовления, печатается на корпусе.

Пример:

2014 XX JN
Год изготовления

Электрическая безопасность

 Ваш инструмент защищен двойной изоляцией, поэтому заземляющий провод не требуется. Всегда проверяйте, чтобы напряжение сети соответствовало напряжению, указанному на заводской табличке.

- Если оригинальный шнур питания поврежден, он должен быть заменен производителем или уполномоченным сервисного центра STANLEY для того, чтобы избежать опасности.

Использование удлинителя

Если необходимо использовать удлинитель, пожалуйста, используйте утвержденный удлинительный кабель, который соответствует спецификации входного питания инструмента (пожалуйста, обратитесь к техническим данным). Минимальная площадь поперечного сечения проводящей проволоки составляет 1,5 кв. мм. Кабели следует предварительно распутать.

Безопасность посторонних лиц

- Этот инструмент не предназначен для использования лицами (включая детей) с ограниченными физическими, чувствительными или умственными способностями или с недостатком опыта или знаний, если они не были под контролем и руководством лица, контролирующего использование инструмента или ответственным за их безопасность.
- Дети должны быть под присмотром взрослых, чтобы не допустить никаких игр с инструментом.

Другие риски

Дополнительные остаточные риски могут возникнуть при использовании инструмента, который не может быть включен в описанные здесь правила техники безопасности. Эти риски могут возникнуть при неправильном или продолжительном использовании изделия и т.п. Несмотря на соблюдение соответствующих правил техники безопасности и использование предохранительных устройств, некоторых остаточных рисков невозможно избежать. Они включают в себя:

- Травмы в результате касания вращающихся/движущихся частей.
- Риск получения травмы во время смены деталей инструмента, ножей или насадок.

Пожалуйста обратитесь к следующей таблице:

Площадь поперечного сечения кабеля (мм ²)	Номинальный ток допустимый для кабеля (ампер)
0.75	6
1.00	10
1.50	15
2.50	20
4.00	25
Длина кабеля (м)	
	7.5 15 25 30 45 60

Напряжение	Ампер	Номинальный ток допустимый для кабеля (ампер)					
115	0 - 2.0	6	6	6	6	6	10
	2.1 - 3.4	6	6	6	6	15	15
	3.5 - 5.0	6	6	10	15	20	20
	5.1 - 7.0	10	10	15	20	20	25
	7.1 - 12.0	15	15	20	25	25	-
230	12.1 - 20.0	20	20	25	-	-	-
	0 - 2.0	6	6	6	6	6	6
	2.1 - 3.4	6	6	6	6	6	6
	3.5 - 5.0	6	6	6	6	10	15
	5.1 - 7.0	10	10	10	10	15	15
	7.1 - 12.0	15	15	15	15	20	20
12.1 - 20.0	20	20	20	20	25	-	

Характеристики

Этот инструмент включает в себя некоторые или все из следующих характеристик.

1. Переключатель плавного хода/скоростей
2. Кнопка блокировки
3. Селектор режимов
4. Зажим инструмента
5. Боковая рукоятка
6. Ограничитель глубины

Сборка

Предостережение! Перед сборкой убедитесь, что инструмент выключен и отключен от источника питания.

Установка боковой рукоятки (рис. E)

Предостережение! При сверлении отверстий в бетоне или кирпиче, пожалуйста, используйте боковую рукоятку для вашей безопасности.

- Поверните рукоятку против часовой стрелки до тех пор, пока можно сдвинуть боковую рукоятку к передней части инструмента.
- Поверните боковую рукоятку в нужное положение.
- Затяните боковую рукоятку, повернув рукоятку по часовой стрелке.

Предостережение! При использовании инструмента, не забудьте установить боковые ручки правильно.

Установка аксессуара (рис. A)

- Очистите и смажьте хвостовик (7) аксессуара.
- Вставьте планку аксессуара в зажим инструмента (4).
- Нажмите аксессуар вниз и немного поверните его пока он не войдет в пазы.
- Потяните аксессуар, чтобы проверить, правильно ли он закрывается. Ударное бурение и сверление требует, чтобы аксессуар имел возможность перемещаться в осевом направлении на несколько сантиметров, когда он блокируется в зажиме инструмента.
- Чтобы удалить аксессуар, потяните рукав обратно (8) и вытяните аксессуар из зажима инструмента.

Использование

Внимание! Пожалуйста, работайте с инструментом с нормальной нагрузкой. Не перегружайте его.

Предостережение! Перед сверлением стен, полов и потолков, проверьте наличие электропроводки и труб.

Выбор режима работы (рис. B)

Этот инструмент может быть использован в двух режимах работы. Исходя из фактических потребностей в работе, селектор режима бурения/сверления (3) может быть повернут в требуемое положение.

Сверление отверстий (рис. В) (рис. F)

- Для сверления в стали, дереве и пластике, установите переключатель режимов работы (3) в положение (2). В то же время необходимо использовать подходящий патрон дрели (13) (дополнительный аксессуар), чтобы зажать стержень крепления.
- Вставьте патрон дрели (13) в держатель патрона (4) в соответствии с инструкциями по установке приложений. Поверните патрон дрели, чтобы ослабить зажимы на переднем конце и вставьте аксессуар (14) в зажимы и поверните патрон в противоположном направлении. Вы также можете использовать клавишу патрона для затягивания зажима.

Сверление с ударом (рис. В)

- Для сверления с ударом в кирпичной кладке и бетоне, установите переключатель режимов работы (3) в нужное T1 положение.
- Сверло должно быть помещено точно в отверстие дрели. После этого потяните переключатель для достижения оптимального эффекта. Убедитесь, что инструмент находится в правильном положении, чтобы предотвратить сверло от отклонения от отверстия.
- Когда высверливаемое отверстие забивается мусором или мелкой пылью, пожалуйста, не оказывайте никакого надавливания. Инструмент должен быть переведен с состояния свободной работы перед удалением части сверла из отверстия. Если повторить эту процедуру несколько раз, вы освободите отверстие от засорения, после чего можно возобновить обычное сверление.



Предостережение! Когда сверло попадает в цемент или стальную арматуру в цементе, с инструментом может произойти опасный эффект отдачи. Пожалуйста, держите

инструмент плотно в сбалансированном и стабильном положении в течение всего времени работы, чтобы предотвратить эффект отдачи.

Предохранительная муфта

Если сверло зажимается или искривляется, движущая сила, передаваемая на бурильный вал, будет отключена. Создается огромная сила, таким образом, две руки должны плотно держать электроинструмент, когда он находится в работе, и убедитесь, что оператор находится в стабильном и неподвижном положении.

Установка глубины сверления (рис. E)

Ограничитель глубины является удобной функцией для обеспечения однородности глубины сверления. Ослабьте боковую рукоятку, чтобы отрегулировать ограничитель глубины в зависимости от требуемой глубины. После этого затяните боковую рукоятку.

- Ослабьте боковую рукоятку (5), повернув ручку против часовой стрелки.
- Установите ограничитель глубины сверления (6) в требуемое положение. Максимальная глубина сверления равна расстоянию между кончиком сверла и передней частью ограничителя глубины.
- Затяните боковую рукоятку, повернув рукоятку по часовой стрелке.

Включение и выключение

Предостережение! Перед подключением к источнику питания, убедитесь, что переключатель свободно передвигается и может вернуться в исходное положение после отключения.

- Чтобы включить инструмент, нажмите переключатель плавного хода (1). Скорость инструмента зависит от того, насколько сильно вы нажмете переключатель.
- Как правило, используют низкие скорости для сверл большого диаметра и высокие скорости для сверл малого диаметра.
- Для непрерывной работы нажмите фиксатор клавиши (2) и отпустите переключатель плавного хода.
- Чтобы включить инструмент, отпустите кнопку включателя. Чтобы выключить инструмент, когда он находится в непрерывном режиме работы, нажмите переключатель плавного хода еще раз и отпустите его.

Аксессуары

Производительность вашего инструмента зависит от используемых аксессуаров. Аксессуары STANLEY разработаны согласно высоким стандартам качества, и они способны увеличить производительность вашего электроинструмента. Используя эти принадлежности, вы сможете наиболее эффективно использовать ваш инструмент.

Обслуживание

Ваши проводные/беспроводные устройства/инструменты STANLEY были разработаны для работы в течение длительного периода времени при минимальном техническом обслуживании. Для обеспечения удовлетворительной работы, инструмент должен правильно храниться и подвергаться регулярной чистке.

Предостережение! Перед выполнением любых работ по обслуживанию проводных/беспроводных электроинструментов:

- Выключите и отсоедините прибор/инструмент.
- Или отключите его и удалите батарею из устройства/инструмента, если прибор/инструмент имеет отдельный аккумулятор.
- Или запустите батарею полностью, если она встроена, а затем выключите.
- Отключите зарядное устройство перед чисткой. Ваше зарядное устройство не требует никакого обслуживания, кроме регулярной чистки.
- Регулярно очищайте вентиляционные прорези инструмента/прибора/зарядного устройства мягкой щеткой или сухой тканью.
- Регулярно очищайте корпус двигателя влажной тканью. Не используйте абразивные материалы или материалы на основе растворителя для чистки.
- Регулярно открывайте и проворачивайте патрон, чтобы удалить пыль изнутри (при засорении).

Замена угольных щеток (рис. D)



Смазка

- Регулярно заменяйте и проверяйте угольные щетки. Заменяйте их своевременно по мере естественного износа. Содержите угольные щетки в чистоте и убедитесь, чтобы они свободно скользили в процессе чистки. Обе щетки должны быть заменены одновременно.
- Удалите фиксированные винты (9) на угольной щетке для снятия угольной щетки (10) и держателя щетки.

- Удалите пружину, поддерживающую угольные щетки (11) в держатель щетки, и вставьте новую угольную щетку, которая соответствует требованиям.
- Установите держатель щетки снова и верните опорную спиральную пружину в исходное положение.



Чистка



Предостережение! Выдувайте грязь и пыль из основного корпуса при помощи сухого воздуха каждый раз, когда вы видите скопление грязи и пыли внутри и вокруг вентиляционных отверстий. Надевайте средство защиты глаз и респиратор, утвержденные для использования при выполнении этой процедуры.



Внимание! Никогда не используйте растворители или другие агрессивные химикаты для очистки неметаллических деталей инструмента. Эти химические вещества могут ослабить свойства материала, из которого они изготовлены. Используйте только мягкое мыло и влажную ткань, чтобы очистить инструмент. Никогда не допускайте попадания жидкости внутрь инструмента и не погружайте никакую часть инструмента в жидкость.

Защита окружающей среды



Раздельный сбор и утилизация. Этот продукт не следует утилизировать вместе с бытовым мусором.

Если вы поймете, что ваш продукт Stanley нуждается в замене, или если он не имеет никакого дальнейшего применения для вас, не выбрасывайте его вместе с бытовыми отходами. Предоставьте этот продукт для раздельного сбора/утилизации.



Раздельный сбор продуктов и упаковок позволяет осуществить их переработку и использовать их повторно. Повторное использование переработанных материалов помогает защищать окружающую среду от загрязнения и снижает расход сырьевых материалов.

Местное законодательство может обеспечить сбор старых электроинструментов отдельно от бытового мусора на муниципальных свалках отходов или в торговом предприятии при покупке нового изделия. Stanley обеспечивает возможность для сбора и утилизации продуктов Stanley, как только они достигли конца своего срока службы. Для того чтобы воспользоваться этой услугой, вы можете сдать ваше изделие в любой авторизованный сервисный центр, который собирает их по нашему поручению.

Вы можете узнать место нахождения вашего ближайшего авторизованного сервисного центра, обратившись в местное отделение Stanley по адресу, указанному в данном руководстве. Кроме того, список авторизованных ремонтных агентов Stanley и полную информацию о нашем послепродажном обслуживании и контактах вы можете найти в Интернете: www.2helpU.com10

Два год полной гарантии

Если ваш продукт STANLEY выходит из строя из-за дефектных материалов или изготовления в течение 24 месяцев с даты покупки, STANLEY Europe гарантирует замену всех неисправных деталей бесплатно или - по своему усмотрению - замену продукта бесплатно при условии, что:

- Продукт использовался правильно, его эксплуатация проводилась строго в соответствии с инструкцией по эксплуатации.
- Продукт подвергался естественному износу;
- Ремонт не проводился посторонними лицами;
- Представлены документы, подтверждающие покупку.
- Продукт STANLEY возвращается в полном комплекте со всеми оригинальными компонентами

Если вы хотите сделать заявку, свяжитесь с продавцом или узнайте место нахождения вашего ближайшего авторизованного сервисного агента Stanley в каталоге Stanley или обратитесь в местное представительство Stanley по адресу, указанному в данном руководстве. Список авторизованных сервисных агентов Stanley и полную информацию о нашем послепродажном обслуживании можно найти в Интернете по адресу: www.stanleytools.com

STANLEY

Гарантийные условия

Уважаемый покупатель!

1. Поздравляем Вас с покупкой высококачественного изделия STANLEY и выражаем признательность за Ваш выбор.
2. При покупке изделия требуйте проверки его комплектности и исправности в Вашем присутствии, инструкцию по эксплуатации и заполненный гарантийный талон на русском языке.

В гарантийном талоне должны быть внесены: модель, дата продажи, серийный номер, дата производства инструмента; название, печать и подпись торговой организации. При отсутствии у Вас правильно заполненного гарантийного талона, а также несоответствия указанных в нем данных мы будем вынуждены отклонить Ваши претензии по качеству данного изделия.

3. Во избежание недоразумений убедительно просим Вас перед началом работы с изделием внимательно ознакомиться с инструкцией по его эксплуатации. Правовой основой настоящих гарантийных условий является действующее Законодательство. Гарантийный срок на данное изделие составляет 24 месяца и исчисляется со дня продажи. В случае устранения недостатков изделия, гарантийный срок продлевается на период его нахождения в ремонте. Срок службы изделия составляет 5 лет со дня продажи.
4. В случае возникновения каких-либо проблем в процессе эксплуатации изделия рекомендуем Вам обратиться только в уполномоченные сервисные центры STANLEY, адреса и телефоны которых Вы сможете найти в гарантийном талоне, на сайте www.2helpU.com или узнать в магазине. Наши сервисные станции - это не только квалифицированный ремонт, но и широкий ассортимент запчастей и принадлежностей.
5. Производитель рекомендует проводить периодическую проверку и техническое обслуживание изделия в уполномоченных сервисных центрах.

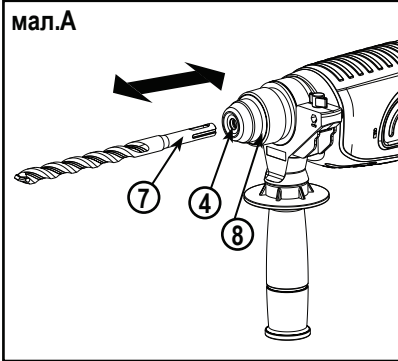


Изготовитель

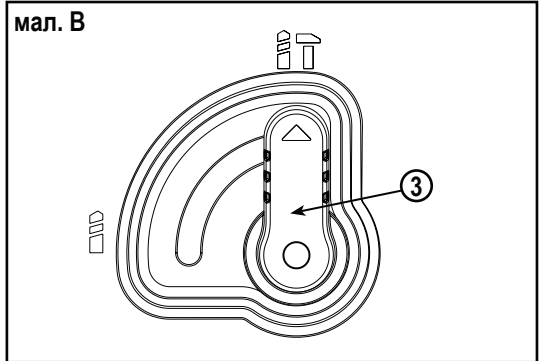
Блэк энд Деккер Холдингс ГмБХ
Германия, 65510, Идштайн,
ул. Блэк энд Деккер, 40

6. Наши гарантийные обязательства распространяются только на неисправности, выявленные в течение гарантийного срока и вызванные дефектами производства и \ или материалов.
7. **Гарантийные условия не распространяются на неисправности изделия, возникшие в результате:**
 - 7.1. Несоблюдения пользователем предписаний инструкции по эксплуатации изделия, применения изделия не по назначению, неправильном хранении, использования принадлежностей, расходных материалов и запчастей, не предусмотренных производителем.
 - 7.2. Механического повреждения (сколы, трещины и разрушения) внутренних и внешних деталей изделия, основных и вспомогательных рукояток, сетевого электрического кабеля, вызванного внешним ударным или любым иным воздействием
 - 7.3. Попадания в вентиляционные отверстия и проникновение внутрь изделия посторонних предметов, материалов или веществ, не являющихся отходами, сопровождающими применение изделия по назначению, такими как: стружка, опилки, песок, и пр.
 - 7.4. Воздействий на изделие неблагоприятных атмосферных и иных внешних факторов, таких как дождь, снег, повышенная влажность, нагрев, агрессивные среды, несоответствие параметров питающей электросети, указанных на инструменте.
 - 7.5. Стихийного бедствия. Повреждение или утрата изделия, связанное с непредвиденными бедствиями, стихийными явлениями, в том числе вследствие действия непреодолимой силы (пожар, молния, потоп и другие природные явления), а так же вследствие перепадов напряжения в электросети и другими причинами, которые находятся вне контроля производителя.
8. **Гарантийные условия не распространяются:**
 - 8.1. На инструменты, подвергавшиеся вскрытию, ремонту или модификации вне уполномоченного сервисного центра.
 - 8.2. На детали и узлы, имеющие следы естественного износа, такие как: приводные ремни и колеса, угольные щетки, смазка, подшипники, зубчатое зацепление редукторов, резиновые уплотнения, сальники, направляющие ролики, муфты, выключатели, бойки, толкатели, стволы, и т.п.
 - 8.3. На сменные части: патроны, цанги, зажимные гайки и фланцы, фильтры, аккумуляторные батареи, ножи, шлифовальные подошвы, цепи, звездочки, пильные шины, защитные кожухи, пилки, абразивы, пильные и абразивные диски, фрезы, сверла, буры и т.п.
 - 8.4. На неисправности, возникшие в результате перегрузки инструмента (как механической, так и электрической), повлекшей выход из строя одновременно двух и более деталей и узлов, таких как: ротора и статора, обеих обмоток статора, ведомой и ведущей шестерни редуктора или других узлов и деталей. К безусловным признакам перегрузки изделия относятся, помимо прочих: появление цветов побежалости, деформация или оплавление деталей и узлов изделия, потемнение или обугливание изоляции проводов электродвигателя под воздействием высокой температуры.

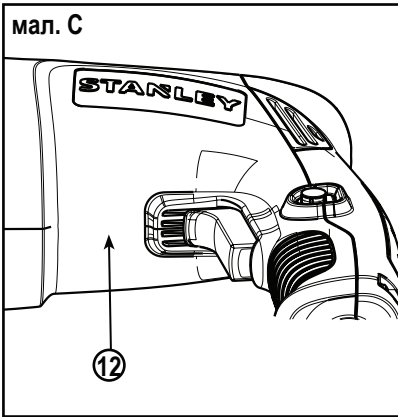
мал. А



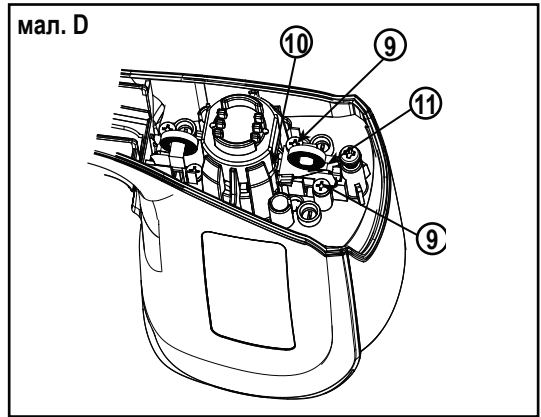
мал. В



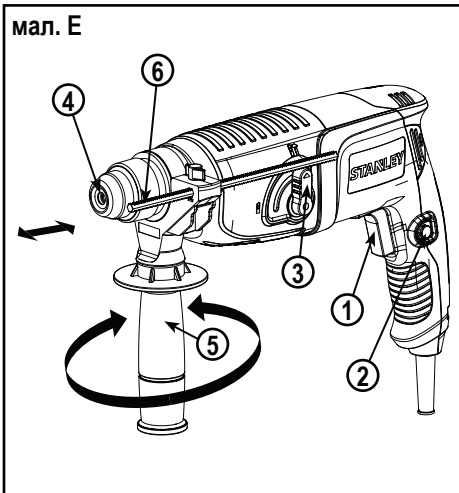
мал. С



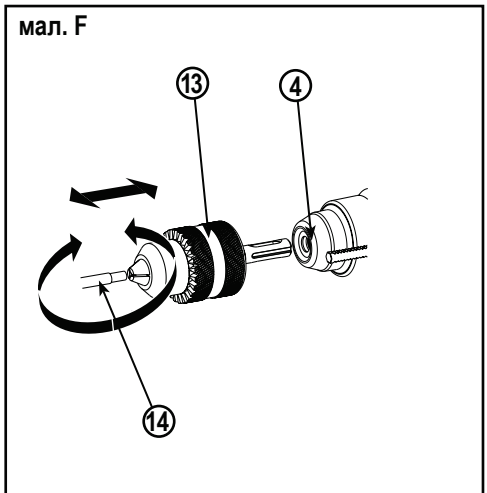
мал. D



мал. E



мал. F



Технічні дані

Бурильний молоток для обертального буріння	STHR202
Вхідна потужність	W 620
Напруга	V 220-240
Частота	Hz 50/60
Швидкість без навантаження	/хвил. 0-1250
Частота ударів	bpm 0-3900
Енергія удара	J 1,34
Режими	2
Макс діаметр свердління	
Бетон	мм 20
Сталь	мм 13
Дерево	мм 25
Вага	кг 2,6

Використання за призначенням

Ваш STANLEY SDS плюс бурильний молоток для обертального буріння призначений для свердління отворів в бетоні, цеглі, дереві і сталі.

Правила техніки безпеки

Загальні попередження з техніки безпеки електроінструментів



Увага! Ознайомтеся з усіма правилами безпеки та інструкціями. Недотримання попереджень та інструкцій, зазначених нижче, може призвести до ураження електричним струмом, пожежі та/або серйозної травми.

Збережіть всі попередження та інструкції для майбутнього використання.

Термін "електроінструмент" у всіх попередженнях, зазначених нижче, відноситься до мережевого (з кабелем) електроінструменту або акумуляторної батареї (без кабелю живлення).

1. Безпека робочого місця

- Утримуйте робоче місце в чистоті і добре освітленим.** Безлад на робочому місці або відсутність освітлення робочого місця може призвести до аварії.
- Не працюйте з електроінструментом в місці зберігання вибухонебезпечних матеріалів, наприклад, у присутності легкозаймистих рідин, газів або пилу.** Електричні інструменти створюють іскри, що можуть запалити пил або пари.

- Діти і сторонні особи повинні знаходитися якнайдалі під час роботи з електроприладами.** Ви можете відволіктися і втратити контроль.

2. Електробезпека

- Вилка електроінструмента повинна відповідати розетці. Ніколи не змінюйте вилку будь-яким чином. Не використовуйте ніякі вилки-перехідники з заземленими (замкнутими на землю) електроінструментами.** Вилки і розетки, які не піддавалися ніяким змінам знижують ризик ураження електричним струмом.
- Уникайте контакту тіла з заземленими поверхнями, такими як труби, радіатори, плити та холодильники.** Існує підвищений ризик ураження електричним струмом, якщо ваше тіло заземлене.
- Уникайте будь-якого впливу дощу або вологи на електроінструменти.** Вода, що потрапила в електроінструмент, збільшує ризик ураження електричним струмом.
- Обережно поводьтеся зі шнуром живлення. Ніколи не використовуйте шнур живлення для перенесення, переміщення або вилучення вилки з розетки. Тримайте шнур подалі від джерел тепла, масла, гострих країв або рухомих частин.** Пошкоджені або заплутані шнури збільшують ризик ураження електричним струмом.

- При роботі з електроінструментом на вулиці, використовуйте подовжувач, відповідний для зовнішнього використання.** Використання кабелю, придатного для використання на відкритому повітрі, знижує ризик ураження електричним струмом.
- При необхідності роботи з електроінструментом у вологому середовищі, використовуйте пристрій захисного відключення (ПЗВ).** Використання ПЗВ знижує ризик ураження електричним струмом. Примітка: Термін "пристрій захисного відключення (ПЗВ)" може бути замінений на "аварійний переривач заземлення" або "автоматичний вимикач струму витоку".

3. Особиста безпека

- Будьте уважні, дивіться, що ви робите, використовуйте здоровий глузд при роботі з електроприладами. Не використовуйте електроінструмент, якщо ви втомилася або перебуваєте під впливом наркотиків, алкоголю або ліків.** Найменша необережність при роботі з електроінструментом може призвести до серйозних травм.
- Використовуйте засоби індивідуального захисту. Завжди надягайте захисні окуляри.** Інше захисне обладнання, включаючи респіратор, черевики на нековзній підшві, захисний шолом або засоби захисту органів слуху, використовувати в належних умовах, зменшать ризик отримання травми.

- c. Для запобігання випадкового запуску, переконайтеся, що перемикач знаходиться у вимкненому положенні перед підключенням до джерела живлення та/або акумуляторної батареї, підняття або перенесення інструменту. Не переносьте електроінструмент з пальцем на вимикачі і не включайте електроживлення на інструмент з увімкненим вимикачем, що може призвести до нещасного випадку.
 - d. Перед включенням електроінструменту знімайте регульовальний або гайковий ключ. Гайковий або регульовальний ключ, залишений на обертовій частині електроінструменту, може призвести до травми.
 - e. Не тягніться. Зберігайте правильну стійку і баланс весь час. Це дозволяє краще контролювати інструмент в несподіваних ситуаціях.
 - f. Одягайтеся правильно. Не надягайте вільний одяг або прикраси. Тримайте волосся, одяг і рукавички далеко від рухомих частин. Вільний одяг, прикраси або довге волосся можуть потрапити в рухомі частини.
 - g. Якщо є пристрої для підключення пілозбірника або витяжки, переконайтеся в тому, що вони під'єднані і використовуються правильно. Використання пілозбірника знижує ймовірність виникнення ризиків, пов'язаних з пилом.
- 4. Використання та догляд за електроінструментом**
- a. Не перевантажуйте електроінструмент. Використовуйте відповідний електричний інструмент для відповідного застосування. Правильно підібраний електроінструмент дозволить виконати роботу краще і безпечніше при швидкості, для якої він був розроблений.
 - b. Не використовуйте електроінструмент, якщо перемикач не може його включити і вимкнути. Будь-який електроінструмент, який не можна контролювати за допомогою перемикача, є небезпечний і повинен бути відремонтований.
 - c. Від'єднайте кабель живлення від джерела живлення та/або акумулятора від електричного інструменту перед виконанням будь-яких регулювань, заміни приладдя або при зберіганні електроінструменту. Такі профілактичні заходи безпеки зменшують ризик ненавмисного запуску електричного інструменту.
 - d. Зберігайте електроприлади в недоступному для дітей місці і не дозволяйте особам, які не знайомі з електричним інструментом або даними інструкціями, працювати з електроприладами. Електроінструменти небезпечні в руках недосвідчених користувачів.
 - e. Підтримання електроінструменту. Перевіряйте розрегульованість або з'єднання рухомих частин, полумки частин і будь-які інші умови, які можуть вплинути на роботу електроінструменту. При наявності пошкодження, відремонтуйте електроінструмент перед використанням. Багато нещасних випадків є наслідком поганого догляду за електроінструментом.
 - f. Тримайте ріжучий інструмент гострим і чистим. Добре доглянутий ріжучий інструмент з гострими ріжучими краями легше контролювати.
 - g. Використовуйте електроінструмент, аксесуари та свердла відповідно до даних інструкцій і в порядку, призначеному для конкретного типу електричного інструменту, беручи до уваги умови та характер виконуваної роботи. Використання електричного інструменту для операцій, які відрізняються від тих, для яких він призначений, може призвести до небезпечної ситуації.
- 5. Обслуговування**
- a. Забезпечте, щоб обслуговування і ремонт вашого електроінструменту проводився в авторизованому сервісному центрі по ремонту з використанням тільки оригінальних запасних частин. Це стане гарантією безпеки електроінструменту.
- * Примітка:** Напруга мережі: при підключенні до мережі, необхідно перевірити, чи збігається напруга мережі з електроприладами. Якщо напруга мережі перевищує напругу, вказану на інструменті, користувач може отримати травми і каліцтва в результаті нещасного випадку, а інструмент може бути пошкоджений. Якщо ж напруга мережі нижче, ніж напруга, необхідна для інструменту, двигун може бути пошкоджений. Таким чином, якщо неможливо, перевірити напругу, вкрай важливо не підключати інструмент до джерела живлення.
- Попередження з безпеки для молота**
- Одягайте захисні навушники при свердлінні. Вплив шуму може призвести до втрати слуху.
 - Використовуйте додаткові рукоятки, якщо вони входять в комплект поставки інструменту. Втрата контролю може призвести до травми.
 - Тримайте інструмент за ізольовані поверхні під час роботи, при якій ріжучий інструмент може зачепити приховану проводку або власний кабель. При контакті ріжучого аксесуара з «працюючим» проводом або відкритими металевими частинами електроінструменту, оператора може вдарити електричним струмом.

- Ніколи не використовуйте долото в ротаційному режимі. Аксесуар увійде в матеріал і призведе до обертання дрילה.
- Використовуйте лещата або інше відповідне пристосування для забезпечення і підтримки оброблюваного виробу на стійкій платформі. Проведення роботи по напрямку руки або проти вашого тіла, позбавляє стійкості і може призвести до втрати контролю.
- Перед свердлінням стін, підлог і стель, перевірте розташування електропроводки і труб.
- Не торкайтеся до кінчика свердла відразу після закінчення свердління, щоб уникнути опіків.
- Призначення інструменту описується в цьому посібнику. Використання будь-яких аксесуарів або пристосувань, виконання будь-яких операцій за допомогою цього інструменту, не рекомендованих у цьому посібнику, може становити небезпеку отримання травм та/або пошкодження майна.

Безпека сторонніх осіб

- Цей інструмент не призначений для використання особами (включаючи дітей) з обмеженими фізичними, чутливими або розумовими здібностями або з браком досвіду чи знань, якщо вони не були під контролем і керівництвом особи, яка контролює використання інструменту або відповідальна за їх безпеку.
- Діти повинні бути під наглядом дорослих, щоб не допустити ніяких ігор з інструментом.

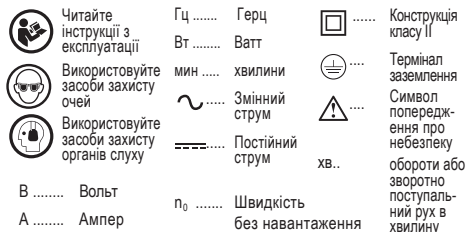
Інші ризики

Додаткові залишкові ризики можуть виникнути при використанні інструменту, який не може бути включений в описані тут правила техніки безпеки. Ці ризики можуть виникнути при неправильному або тривалому використанні виробу і т.д. Незважаючи на дотримання відповідних правил техніки безпеки та використання запобіжних пристроїв, деяких залишкових ризиків неможливо уникнути. Вони включають в себе:

- Травми в результаті торкання обертових/рухомих частин.
- Ризик отримання травми під час зміни деталей інструменту, ножів або насадок.
- Травми, викликані тривалим використанням інструменту. При використанні інструменту протягом тривалого часу робіть регулярні перерви в роботі.
- Поганий слух
- Збиток здоров'ю внаслідок вдихання пилу при використанні інструменту (приклад: робота з деревом, особливо, з деревиною дуба, бука і деревоволокнистими плитами середньої щільності)

Етикетки на інструменті

Етикетки на вашому інструменті можуть включати такі символи:



Положення дати штрих-коду(мал. С)

Дата коду(12), який також включає рік виготовлення, друкується на корпусі.

Приклад:

2014 XX JN
Рік виготовлення

Електрична безпека

Ваш інструмент захищений подвійною ізоляцією, тому заземлюючий провід не потрібно. Завжди перевіряйте, щоб напруга мережі відповідала напрузі, вказаній на таблиці.

- Якщо оригінальний шнур живлення пошкоджений, він повинен бути замінений виробником або уповноваженим сервісним центром STANLEY для того, щоб уникнути небезпеки.

Використання подовжувача

Якщо необхідно використовувати подовжувач, будь ласка, використовуйте затверджений подовжувач, який відповідає специфікації вхідного живлення інструменту (будь ласка, зверніться до технічних даних). Мінімальна площа поперечного перерізу провідного дроту складає 1,5 кв. мм. Кабелі слід попередньо розплутати.

Будь ласка зверніться до наступної таблиці:

Площа поперечного перерізу кабелю (мм ²)	Номинальний струм допустимий для кабелю (ампер)
0.75	6
1.00	10
1.50	15
2.50	20
4.00	25
Длина кабелю (м)	
	7.5 15 25 30 45 60

Напруга	Ампер	Номинальний струм допустимий для кабелю (ампер)					
115	0 - 2.0	6	6	6	6	6	10
	2.1 - 3.4	6	6	6	6	15	15
	3.5 - 5.0	6	6	10	15	20	20
	5.1 - 7.0	10	10	15	20	20	25
	7.1 - 12.0	15	15	20	25	25	-
230	0 - 2.0	6	6	6	6	6	6
	2.1 - 3.4	6	6	6	6	6	6
	3.5 - 5.0	6	6	6	6	10	15
	5.1 - 7.0	10	10	10	10	15	15
	7.1 - 12.0	15	15	15	15	20	20
	12.1 - 20.0	20	20	20	20	25	-

Характеристики

Цей інструмент включає в себе деякі або всі з таких характеристик.

1. Перемикач плавного ходу/швидкості
2. Кнопка блокування
3. Селектор режимів
4. Зажим інструмента
5. Бічна рукоятка
6. Обмежувач глибини

Збірка

Застереження! Перед збіркою, будь ласка, переконайтеся, що електроінструмент вимкнено, і вилка шнура живлення інструменту відключена від джерела живлення.

Установка бічної рукоятки (мал. Е)

Застереження! При свердлінні отворів в бетоні або цеглі, будь ласка, використовуйте бічну рукоятку для вашої безпеки.

- Поверніть рукоятку проти годинникової стрілки до тих пір, поки можна зрушити бічну рукоятку до передньої частини інструменту.
- Поверніть бічну рукоятку в потрібне положення.
- Затягніть бічну рукоятку, повернувши рукоятку за годинниковою стрілкою.

Застереження! При використанні інструменту, не забудьте встановити бічну рукоятку правильно.

Установка аксесуара (мал. А)

- Очистіть і змастіть хвостовик (7) аксесуара.
- Вставте планку аксесуара в затиск інструменту (4).
- Натисніть аксесуар вниз і трохи поверніть його поки він не ввійде в пази.
- Потягніть аксесуар, щоб перевірити, чи правильно він закривається. Ударне буріння та свердління вимагає, щоб аксесуар мав можливість переміщатися в осововому напрямку на кілька сантиметрів, коли він блокується в затиску інструменту.
- Щоб видалити аксесуар, потягніть рукав назад (8) і витягніть аксесуар із затиску інструменту.

Використання

Застереження! Будь ласка, використовуйте електроінструмент під нормальним навантаженням; перевантаження не допускаються.

Застереження! Перед свердлінням отворів в стіні, підлозі або стелі, будь ласка, перевірте положення проводів і сталевих труб.

Вибір режиму роботи (мал. В)

Цей інструмент може бути використаний у двох режимах роботи. Виходячи з фактичних потреб у роботі, селектор режиму буріння/свердління (3) може бути повернутий в необхідне положення.

Свердління отворів (мал. В) (мал. F)

- Для свердління в сталі, дереві і пластику, встановіть перемикач режимів роботи (3) в положення (2). У той же час необхідно використовувати відповідний патрон дрилі (13) (додатковий аксесуар), щоб затиснути стрижень кріплення.
- Вставте патрон дрилі (13) в тримач патрона (4) відповідно до інструкцій по установці додатків. Поверніть патрон дрилі, щоб послабити затискачі на передньому кінці і вставте аксесуар (14) у затискачі і поверніть патрон в протилежному напрямку. Ви також можете використовувати клавішу патрона для затягування затиску.

Свердління з ударом (мал. В)

- Для свердління з ударом в цегляній кладці і бетоні, встановіть перемикач режимів роботи (3) в потрібне положення(2).
- Свердло повинно бути поміщено точно в отвір дрилі. Після цього потягніть перемикач для досягнення оптимального ефекту. Переконайтеся, що інструмент знаходиться в правильному положенні, щоб запобігти відхиленню свердла від отвори.

- Коли отвір забивається сміттям або дрібним пилом під час роботи, будь ласка, ні яким чином не натискайте на отвір. Інструмент повинен бути переведений в стан вільної роботи перед видаленням частини свердла з отвору. Якщо повторити цю процедуру кілька разів, ви звільните отвір від засмічення, після чого можна відновити звичайне свердління.



Застереження! Коли свердло потрапляє в цемент або сталеву арматуру в цементі, з інструментом може статися небезпечний ефект віддачі. Будь ласка, тримайте

інструмент щільно в збалансованому та стабільному положенні протягом усього часу роботи, щоб запобігти ефекту віддачі.

Запобіжна муфта

Якщо свердло затискається або викривляється, рушійна сила, передана на бурильний вал, буде відключена. Створюється величезна сила, таким чином, дві руки повинні щільно тримати електроінструмент, коли він знаходиться в роботі, і переконайтеся, що оператор знаходиться в стабільному і нерухомому положенні.

Установка глибини сверлення (мал. Е)

Обмежувач глибини є зручною функцією для забезпечення однорідності глибини свердління. Послабте бічну рукоятку, щоб відрегулювати обмежувач глибини в залежності від необхідної глибини. Після цього затягніть бічну рукоятку.

- Послабте бічну рукоятку (5), повернувши ручку проти годинникової стрілки.
- Встановіть обмежувач глибини свердління (6) в необхідне положення. Максимальна глибина свердління дорівнює відстані між кінецьком свердла і передньою частиною обмежувача глибини.
- Затягніть бічну рукоятку, повернувши рукоятку за годинниковою стрілкою.

Вмикання і вимикання

Застереження! Перед підключенням до джерела живлення, переконайтеся, що перемикач вільно пересувається і може повернутися у вихідне положення після відпускання.

- Щоб включити інструмент, натисніть перемикач плавного ходу (1). Швидкість інструменту залежить від того, наскільки сильно ви натиснете перемикач.
- Як правило, використовують низькі швидкості для свердел великого діаметру і високі швидкості для свердел невеликого діаметру.

- Для безперервної роботи натисніть фіксатор клавіші (2) і відпустіть перемикач плавного ходу.
- Щоб включити інструмент, відпустіть кнопку вмикача. Щоб вимкнути інструмент, коли він знаходиться в безперервному режимі роботи, натисніть перемикач плавного ходу ще раз і відпустіть його.

Акcesуари

Продуктивність вашого електроінструменту залежить від використовуваних акcesуарів. Акcesуари STANLEY розроблено відповідно до високого стандарту якості, і вони здатні збільшити продуктивність вашого електроінструменту. Використовуючи ці принадлежности, ви зможете найбільш ефективно використовувати ваш інструмент.

Обслуговування

Ваші дротові/бездротові пристрої/інструменти STANLEY можуть бути використані протягом тривалого часу і вимагають мінімального технічного обслуговування. Щоб домогтися тривалого задовільного використання, необхідно належне технічне обслуговування та регулярне чищення інструменту.

Застереження! Перед виконанням будь-яких робіт з техобслуговування дротових/бездротових електричних інструментів, необхідно здійснити наступне:

- Вимкніть і відключіть прилад/інструмент.
- Або вимкніть його і видаліть батарею з пристрою/інструменту, якщо прилад/інструмент має окремих акумулятор.
- Або запустіть батарею повністю, якщо вона вбудована, а потім вимкніть.
- Вимкніть зарядний пристрій перед чищенням. Ваш зарядний пристрій не вимагає ніякого обслуговування, крім регулярного чищення.
- Регулярно очищайте вентиляційні прорізи інструменту/приладу/зарядного пристрою м'якою щіткою або сухою тканиною.
- Регулярно очищайте корпус двигуна вологою тканиною. Не використовуйте абразивні матеріали або матеріали на основі розчинника для чищення.
- Регулярно відкривайте і провертайте патрон, щоб видалити пил зсередини (при засміченні).

Заміна вугільних щіток (мал. D)**Змащування**

- Регулярно замінюйте і перевіряйте вугільні щітки. Замінюйте їх своєчасно у міру природного зносу. Утримуйте вугільні щітки в чистоті і переконайтеся, щоб вони вільно ковзали в процесі чищення. Обидві щітки повинні бути замінені одночасно.
- Видаліть фіксовані гвинти (9) на вугільній щітці для зняття вугільної щітки (10) і утримувача щітки.
- Видаліть пружину, підтримуючу вугільні щітки (11) в тримачу щітки і вставте нову вугільну щітку, яка відповідає вимогам.
- Встановіть тримач щітки знову і поверніть опорну спіральну пружину у вихідне положення.

**Чищення**

Застереження! Видуйте бруд і пил з основного корпусу за допомогою сухого повітря кожен раз, коли ви бачите скупчення бруду і пилу всередині і навколо вентиляційних отворів. Одягайте засіб захисту очей і респіратор, затверджені для використання при виконанні цієї процедури.



Застереження! Строго заборонено для очищення неметалевих деталей інструменту використовувати розчинники або інші дратівливі хімічні речовини. Ці хімікати

можуть погіршити стан матеріалів, з яких складаються компоненти приладу. Для очищення використовуйте тільки тканину, змочену в слабкому мильному розчині. Ніколи не допускайте попадання яких-небудь речовин всередину інструменту і не опускайте будь-яку частину інструменту в рідину.

Захист навколишнього середовища

Роздільний збір і утилізація. Цей продукт не слід утилізувати разом з побутовим сміттям.

Якщо ви зрозумієте, що ваш продукт Stanley потребує заміни, або якщо він не має ніякого подальшого застосування для вас, не викидайте його разом з побутовими відходами. Надайте цей продукт для роздільного збору/утилізації.



Роздільний збір продуктів і упаковок дозволяє здійснити їх переробку і використати їх повторно. Повторне використання перероблених матеріалів допомагає захищати довкілля від забруднення і знижує витрату сировинних матеріалів.

Міське законодавство може забезпечити збір старих електроінструментів окремо від побутового сміття на муніципальних звалищах відходів або в торговому підприємстві при купівлі нового виробу. Stanley забезпечує можливість для збору і утилізації продуктів Stanley, як тільки вони досягли кінця свого терміну служби. Для того, щоб скористатися цією послугою, ви можете здати ваш вибір у будь-який авторизований сервісний центр, який збирає їх за нашим дорученням.

Ви можете упізнати місце знаходження вашого найближчого авторизованого сервісного центру, звернувшись в міське відділення Stanley за адресою, вказаною в цьому керівництві. Крім того, список авторизованих ремонтних агентів Stanley і повну інформацію про наше післяпродажне обслуговування і контакти ви можете знайти в Інтернеті: www.2helpu.com10

Два рік повної гарантії

Якщо ваш продукт STANLEY виходить з ладу із-за дефектних матеріалів або виготовлення впродовж 24 місяців з дати купівлі, STANLEY Europe гарантує заміну усіх несправних деталей безкоштовно або - на власний розсуд - заміну продукту безкоштовно за умови, що:

- Продукт використовувався правильно, його експлуатація проводилася строго відповідно до інструкції з експлуатації.
- Продукт піддавався звичайному зносу;
- Ремонт не проводився сторонніми особами;
- Представлені документи, що підтверджують купівлю.
- Продукт STANLEY повертається в повному комплекті з усіма оригінальними компонентами

Якщо ви хочете зробити заявку, зв'яжіться з продавцем або з'ясуйте місце знаходження вашого найближчого авторизованого сервісного агента Stanley в каталозі Stanley або зверніться в міське представництво Stanley за адресою, вказаною в цьому посібнику. Список авторизованих сервісних агентів Stanley і повну інформацію про наше післяпродажне обслуговування можна знайти в Інтернеті за адресою: www.stanleytools.com.

STANLEY

Гарантійні умови

Шановний покупець!

1. Вітаємо Вас з покупкою високоякісного виробу STANLEY і висловлюємо вдячність за Ваш вибір.
2. При покупці виробу вимагайте перевірки його комплектності і справності у Вашій присутності, інструкцію за експлуатації та заповнений гарантійний талон українською мовою

В гарантійному талоні повинні бути внесені: модель, дата продажу, серійний номер, дата виробництва інструменту; назва, печатка і підпис торгової організації. За відсутності у Вас правильно заповненого гарантійного талону, а також при невідповідності зазначених у ньому даних ми будемо змушені відхилити Ваші претензії щодо якості даного виробу.

3. Щоб уникнути непорозумінь, переконливо просимо Вас перед початком роботи з виробом уважно ознайомитися з інструкцією з його експлуатації. Правовою основою справжніх гарантійних умов є чинне Законодавство. Гарантійний термін на даний виріб складає 24 місяці і обчислюється з дня продажу. У разі усунення недоліків виробу, гарантійний строк продовжується на період його перебування в ремонті. Термін служби виробу становить 5 років з дня продажу.
4. У разі виникнення будь-яких проблем у процесі експлуатації виробу рекомендуємо Вам звертатися тільки в уповноважені сервісні центри STANLEY, адреси та телефони яких Ви зможете знайти в гарантійному талоні, на сайті www.2helpU.com або дізнатися в магазині. Наші сервісні станції - це не тільки кваліфікований ремонт, але і широкий асортимент запчастин і аксесуарів.
5. Виробник рекомендує проводити періодичну перевірку і технічне обслуговування виробу в уповноважених сервісних центрах.
6. Наші гарантійні зобов'язання поширюються тільки на несправності, виявлені протягом гарантійного терміну і викликані дефектами виробництва та \ або матеріалів.
7. Гарантійні умови не поширюються на несправності виробу, що виникли в результаті:
 - 7.1 Недотримання користувачем приписів інструкції з експлуатації виробу, застосування виробу не за призначенням, неправильного зберігання, використання приладдя, витратних матеріалів і запчастин, що не передбачені виробником.
 - 7.2 Механічного пошкодження (відколи, тріщини і руйнування) внутрішніх і зовнішніх деталей виробу, основних і допоміжних рукояток, мережевого кабелю, що викликані зовнішнім ударним або будь-яким іншим впливом

- 7.3 Потрапляння у вентиляційні отвори та проникнення всередину виробу сторонніх предметів, матеріалів або речовин, що не є відходами, які супроводжують застосування виробу за призначенням, такими як: стружка, тирса, пісок, та ін.
- 7.4 Впливу на виріб несприятливих атмосферних і інших зовнішніх факторів, таких як дощ, сніг, підвищена вологість, нагрівання, агресивні середовища, невідповідність параметрів електромережі, що зазначені на інструменті.
- 7.5 Стихійного лиха. Пошкодження або втрати виробу, що пов'язані з непередбаченими лихами, стихійними явищами, у тому числі внаслідок дії непереборної сили (пожежа, блискавка, потоп і інші природні явища), а також внаслідок перепадів напруги в електромережі та іншими причинами, які знаходяться поза контролем виробника.
8. Гарантійні умови не поширюються:
 - 8.1 На інструменти, що піддавалися розкриттю, ремонту або модифікації поза уповноваженим сервісним центром.
 - 8.2 На деталі, вузли та матеріали, що мають сліди природного зносу, такі як: приводні ремені і колеса, вупльні шітки, мастило, підшипники, зубчасті зчеплення редукторів, гумові ущільнення, сальники, направляючі ролики, муфти, вимикачі, бойки, штовхачі, стволи тощо.
 - 8.3 На змінні частини: патрони, цанги, затискні гайки і фланці, фільтри, акумуляторні батареї, ножі, шліфувальні підшви, ланцюги, зірочки, пильні шини, захисні кожухи, пилки, абразиви, пильні і абразивні диски, фрези, свердла, бури тощо
 - 8.4 На несправності, що виникли в результаті перевантаження інструменту (як механічного, так і електричного), що спричинили вихід з ладу одночасно двох і більше деталей і вузлів, таких як: ротора і статора, обох обмоток статора, веденої і ведучої шестерень редуктора або інших вузлів і деталей. До безумовних ознак перевантаження виробу відносяться, крім інших: поява кольорів мінливості, деформація або оплавлення деталей і вузлів виробу, потемніння або обуглювання ізоляції проводів електродвигуна під впливом високої температури.



Виробник:

"Stanley Black & Decker Deutschland GmbH" Black-&-Decker Str.40, D-65510 Idstein, Німеччина

Names & Addresses for STANLEY Service Concessionaries - MIDDLE EAST & AFRICA

ALGERIA: Sari Outillage Corporation, 08 Rue Med Boudiaf - Cheraga - Algiers, Algeria. Tel: (213-21) 375130, Fax: (213-21) 369667. **ANGOLA:** Angoferraria, Lda., Rua Robert Shields, No. 61, Luanda, Angola. Tel: 00244-222-395837 / 222-395034, Fax: 00244-222-394790. **AZERBAIJAN:** Royalton Holdings Ltd. 41 Khagani St. Apt. 47 AZ 1001, Baku. Tel: (994-12) 4935544, Fax: (994-12) 5980378. **BAHRAIN:** Kavalani & Sons W.L.L., P.O. Box 71, Sitra, Manama. Tel: (973) 17732888, Fax: (973) 17737379. Alfoz Services Co. W.L.L., P.O. Box 26562, Tubli, Manama. Tel: (973) 17783562, Fax: (973) 17783479. **EGYPT:** El Farab S.A.E., 15-Nabil El Wakkad Street, Dokki, Giza, Egypt. Tel: 00202-37603946 / 002-010-2582544, Fax: 00202-33352796. **ETHIOPIA:** Seif Tewfik Sherif, Arada Sub-City, Kebele 01/02, Global Insurance Building, 2nd Floor, Room 43, P.O. Box 2525, Addis Ababa, Ethiopia. Tel: (251-11) 1563968/ 1563969, Fax: (251-11) 1558009. **IRAQ:** Financial Links, Kazzaz Building Ararat Al-Hindia Block No: 629 Street: 31/Bldg No: 1 Baghdad - Iraq. Tel: 00964 (0)780 195 2223/ 00964 (0)781 3763044. Al Sard Co. for General Trading Ltd. Jbara Bldg. 3Flr, Al Rasheed St. Baghdad. Tel: (964) 18184102. Sakhar Group, Arrasat al-hindya Al Masbah, Bagdad. (964) 7400144446. **JORDAN:** Palestine Bldg. Matl. (Bashiti Hardware), 93 King Abdul 2nd Street, Opp. ELBA House, P.O. Box 3005, Amman 11953, Tel: (962-6) 5349098, Fax: (962-6) 5330731. **KENYA:** Dextron Tools Ltd., P.O. Box 20121-00200, Shariff House, Kimathi Street, Nairobi. Tel: (254-20) 6950000/ 2358021, Fax: (254-20) 6905111/ 6905112. **KUWAIT:** Al Omar Technical Co., P.O. Box 4062, 13041 Safat, Kuwait. Tel: (965) 24848595/ 24840039, Fax: (965) 24845652. Fawaz Al Zayani Establishment, P.O. Box 42426, Shop No. 18, Al Humaizi Commercial Complex, Khalifa Al Jassim, Shuwaikh, Kuwait. Tel: (965) 24828710, Fax: (965) 24828716. Fawaz Al Zayani Establishment, P.O. Box 42426, Shop No.18, Al Humaizi Commercial Complex, Khalifa Al Jassim, Shuwaikh, Kuwait. Tel: (965) 24828710, Fax: (965) 24828716. Fawaz Al Zayani Establishment, Fahaeel Industrial Area, Main St., Sanaya, Kuwait. Tel: (965) 23925830, Fax: (965) 24828716. **LEBANON:** Est. Shaya & Azar S.A.R.L., Boulevard Jdeideh - Mar Takla - Bouchrieh .P.O. Box 90545 Jdeideh.Beirut - Lebanon. Tel: 00961 1 872305 / 306 , Fax: 00961 1 872303. **LIBYA:** North Africa Trading (El Ghoul Brothers), AlHilal Service Center Tawergha St. Misurata, Tel: 00218-091-3221408. (Benghazi) Sniydal st., Amr Ibn EL-Aas Rd. Tel: (+218) 92 5771120. (Tripoli) Al Barniq Service Center, Mokhazin elskar st., ElFallah. Tel: (+218) 21 4808019. (Misrata) Al Hilal Service Center, Tawergha st. Tel: (+218) 51 2626743. **MAURITIUS:** Robert Le Marie Limited, Old Moka Road, Bell Village, P.O. Box 161, Port Louis, Tel: 00230-212 1865/ 212 2847, Fax: 00230-2080843. **MOROCCO:** Ets Louis Guillaud & Cie, 149, Quartier Industriel, Moulay Rachid, Casablanca, Postal Code 20450, Morocco. Tel: 00212-522729233, Fax: 00212-522729096. **NIGERIA:** Meridian Power Tools Ltd., Gr.Floor, #1 Alhaji Masha Rd, Next to Teslim Balogun Stadium, Near National Stadium Surulere, Lagos, Nigeria. Tel: 00234-1-774031 / 7740410, Fax: 00234-1-7913798. **OMAN:** Al Jizzi Company LLC, P.O. Box 1704,PC 112 Ruwi, Oman. Tel: (968) 24832618/ 24835153, Fax: (968) 24831334/24836460. Al Hassan Technical & Construction Supplies Co. LLC, P.O. Box 1948, P.C. 112, Ruwi, Tel: (968) 24810575 / 24837054, Fax: (968) 24810287/ 24833080. Oman Hardware Co. LLC, P.O. Box 635, Ruwi Postal Code 112, Tel: (968) 24815131, Fax: (968) 24816491. Khimji Ramdas, P.O. Box 19, Post Office 100, Ghala, Muscat, Oman. Tel: (968) 24595906/ 907, Fax: (968) 24852752. Oman Marketing & Service Co. (Omasco), P.O. Box 2734, Behind Honda Showroom, Wattayah, Oman. Tel: (968) 24560232/ 24560255, Fax: (968) 24560993. Oman Marketing & Service Co. (Omasco), Al Ohi, Sohar, Oman. Tel: (968) 26846379, Fax: (968) 26846379. Oman Marketing & Service Co. (Omasco), Sanaya, Salalah, Oman. Tel: (968) 23212290, Fax: (968) 23210936. **PAKISTAN:** ZIT Co - Nasir & Bros., 2nd Floor, Qadri Center, Chokwal Dargah Railway Road, Lahore, Pakistan. Tel: 0092 42 37670839, Fax: 0092 42 37652989. Ammar Service & Spares, 60-Bank Arcade, Serai Road, Karachi, Pakistan. Tel: (92-21) 32426905, Fax: (92-21) 32427214. **QATAR:** Teyseer Industrial Supplies & Services Co. W.L.L. 55, Al Wakalat St. (Between St. 18 & 19) Salwa Industrial Area, P.O. Box 40523 Doha,Qatar. Tel: (974) 44581536, Fax: (974) 44682024. Shaheen Electrical Works & Trading Co. W.L.L, Gate 34, St. 44 Industrial Area P.O. Box 9756, Doha, Tel: (974) 44600230 /44600525, Fax: (974) 44601338. Al Muftah Service Centre, Al Wakrah Road, P.O. Box 875, Doha,Qatar. Tel: (974) 44650880/ 44650110/ 44446688, Fax: (974) 44441415 / 44662599. **SAUDI ARABIA: (Al Bahr)** Mohamed Ahmed Bin Aff Est., P.O. Box 530, Yanbu, Al Bahr. Tel: (966-4) 3222626/ 3228867, Fax: (966-4) 3222210. (Al Khobar) Fawaz Ebrahim Al Zayani Trading Est., P.O. Box 76026, Al Khobar # 31952, Tel: (966-3) 8140914, Fax: (966-3) 8140824. MSS (Al-Mojil Supply & Services) P.O. Box 450, Jubail 31951, Opp. Gulf Bridge Library & Riyadh House. Tel: (966-3) 3612850/ 3624487/ 3621729, Fax: (966-3) 3623589/ 3620783. (Dammam) MSS (Al-Mojil Supply & Services), P.O. Box 450, Jubail 31951.Opp-Gulf Bridge Library & Riyadh House. Tel: (966-3) 3612850 / 3624487 / 3621729, Fax: (966-3) 3623589 / 3620783. (Al Bawardi Tools & Hardware, P.O. Box 112, Dammam, Tel: (966-3) 8330780 Ext.24 / 8348585 Ext. 24 / +966-3-8335555, Fax: (966-3) 8336303. (Al Hassa) Mutawa Trading & Gen. Services, Maliki road Hafuf city, Al Hassa, KSA. Tel: (966) 502846275 (Jeddah) Al Bawardi Tools & Hardware, P.O. Box 16905, Jeddah 21474, Tel: (966-2) 6444547 / 6439035 / 6456095, Fax: (966-2) 6439024. EAC (Al Yousef Contg. & Trdg. Est.), P.O. Box 30377, Jeddah -21477, Tel: (966-2) 6519912, Fax: (966-2) 6511153. (Madina) Garziz Trading for Bldg Mat & Decoration, P.O. Box 3364, Madina. Tel: (966-4) 826 14 90 / 8227636, Fax: (966-4) 8265741. (Riyadh) Industrial Material Organization (IMO), P.O. Box 623, Rial Street, Riyadh, Tel: (966-1) 4028010 Ext 26 / 8001245757, Fax: (966-1) 4037970. Sultan Garment Factory (RSC), P.O. Box 29912, Riyadh 11467, KSA, Tel: (966-1) 4055148 / 4042889, Fax: (966-1) 4055148. Al Bawardi Tools & Hardware, P.O. Box 68, Riyadh 11411, Tel: (966-1) 4484999, Fax: (966-1) 4487877. (Yanbu) Fawaz Ebrahim Al Zayani, Opposite to Al Fouzan, Jeddah highway or King Abdul Aziz road, Yanbu. Tel: (966-4) 3960980, Fax: (966-4) 3961980. Mohamed Ahmed Bin Aff Est., P.O. Box 530, Yanbu, Al Bahr, Tel: (966-4) 3222626/ 3228867, Fax: (966-4) 3222210. **SOUTH AFRICA:** Stanley Black & Decker - RSA, 199 Winze Drive Stormil Exit 9 Rooodepoort. Tel: (2711) 472 0454, Fax: (2711) 472 0482. Trevco Power Tool Service 14 Steenbok Street, Koedoespoort, 0186, Pretoria, South Africa. Tel: (27-86) 1873826, Fax: (27-86) 5001771. **TANZANIA:** General Motors investment Ltd., P.O. Box 16541, 14 Nyerere Road, Vingunguti, Dar-es-Salaam. Tel: (255 22) 2862661/ 2865202, Fax: (255 22) 2862667. **TUNISIA:** Societe Tunisienne De Maintenance (STM), Rue de la Physique. Nouvelle Zone Industrielle Ben Arous, 2013 Ben Arous, Tunisia. Tel: (+216) 79 389687, Fax: (+216) 71 385154. **UAE: (Abu Dhabi)** Light House Electrical, P.O. Box 120, Abu Dhabi. Tel: (971-2) 6726131, Fax: (971-2) 6720667. Galaxy Equipment Trading, Madinat Zayed (Baada Zaid), Abu Dhabi P.C. 58910, Tel: (971-2) 8844279, Fax: (971-2) 8844297 (Ajman) Al Sukoon Gen. Trdg. Co. LLC, P.O. Box 2975, Ajman. Tel: (971-6) 7435725/ 7438317, Fax: (971-6) 7437350. Al Sukoon Gen. Trdg. Co. LLC, P.O. Box 2975, Ajman, Tel: (971-6) 7435725 / 7438317, Fax: (971-6) 7437350 (Al Ain) Zillion Equipment and Spare Parts Trading LLC, P.O. Box 19740, Opp. Bin Sada/ Trimix Redymix Sanaiya, Al Ain. Tel: (971-3) 7216690, Fax: (971-3) 7216103. (Dubai) Black & Decker (Overseas) GmbH, P.O. Box 5420, Dubai. Tel: (971-4) 8127400/ 8127406, Fax: (971-4)8222765. Ideal Star Workshop Expt.Trading LLC, P.O. Box 37116, Al Quoz, Dubai. Tel: (971-4) 3474160, Fax: (971-4) 3474157, Fine Tools, P.O.Box 30139, Al Quoz, Dubai. Tel: (971-4) 3385240, Fax: (971-4) 3385239, Alebrah Engineering Service, P.O. Box 78954, Al Qusais, Dubai. Tel: (971-4) 2850044, Fax: (971-4) 2848402. (Musafah) Light House Electrical, P.O. Box 120, Abu Dhabi. Tel: (971-2) 5548315, Fax: (971-2) 5540461. (Sharjah) Mc Coy Middle East LLC, P.O. Box 25793, Sharjah. Tel: (971-6) 5395931, Fax: (971-6) 5395932. Burj Al Madeena, Industrial Area No.1, Opp. Pakistani Masjid, P.O. Box 37635, Sharjah. Tel: (971-6) 5337747, Fax: (971-6) 5337719. Burj Al Madeena , Industrial Area No 1,opp Pakistani Masjid P.O. Box 37635, Sharjah. Tel: (971-6) 5337747, Fax: (971-6) 5337719 (Ras Al Khaimah) Mc Coy Middle East LLC, P.O. Box 10584, Ras Al Khaimah, Tel: (971-7) 2277095, Fax: (971-7) 2277096. **UGANDA:** The Building Center (U) Ltd., 52 Station Road, Kitgum House, P.O. Box 7436, Kampala, Uganda. Tel: (256-41) 4234567/ 4259754, Fax: (256-41) 4236413. **YEMEN: (Aden)** Middle East Trad. Co. Ltd. (METCO), Mualla Dakka, Aden, Yemen. Tel: (967-2) 222670, Fax: (967-2) 222670. (Sana'a) Middle East Trad. Co. Ltd. (METCO), Hayel St., Sana'a, Yemen. Tel: (967-1) 204201, Fax: (967-1) 204204. (Taiz) Middle East Trading Co. (METCO), P.O. Box 12363, 5th Flr, Hayel Saeed Anam Bldg, Al-Mugamma St. Taiz, Yemen. Tel: (967-4) 213455, Fax: (967-4) 219869.