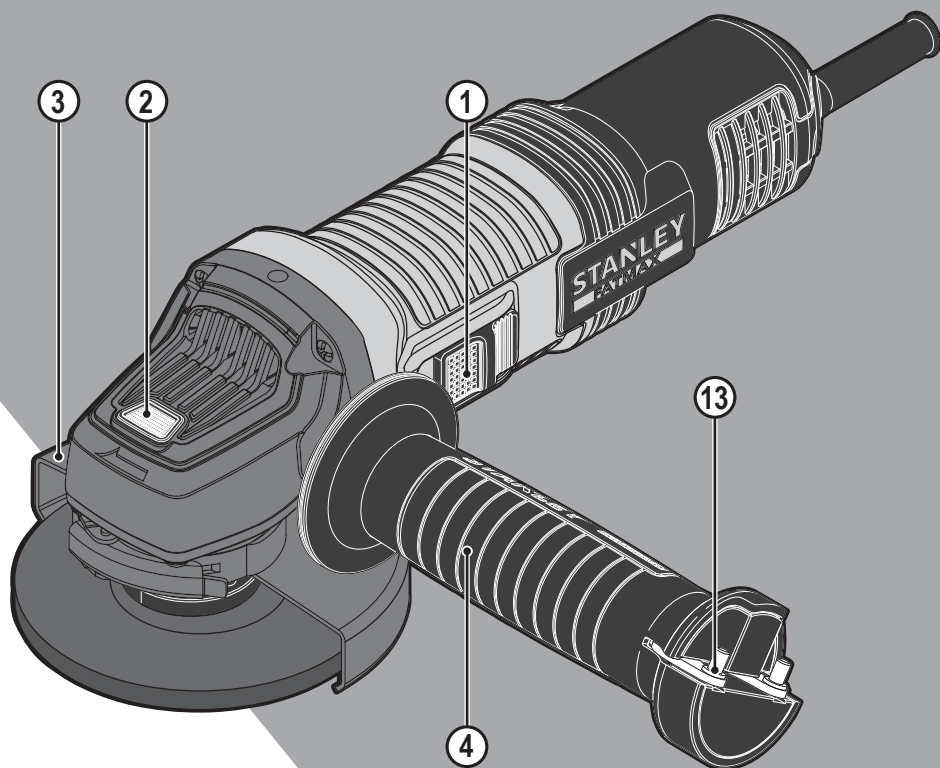


STANLEY®

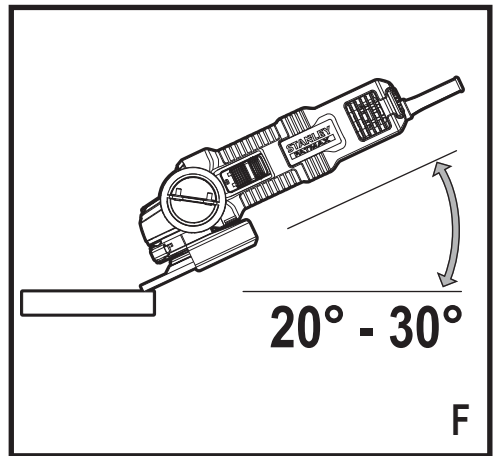
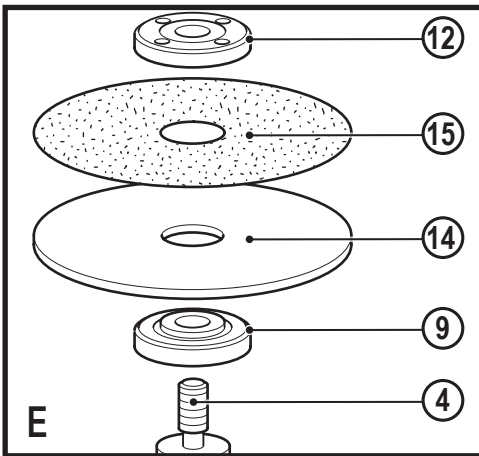
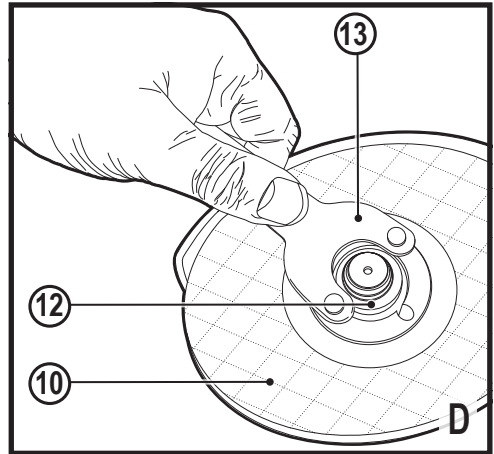
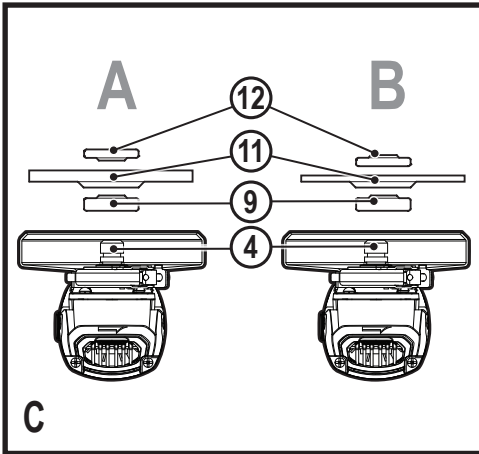
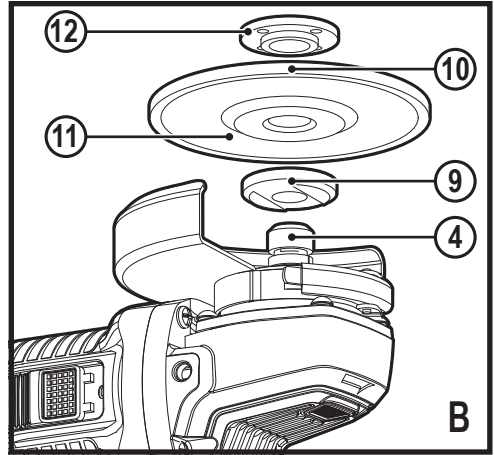
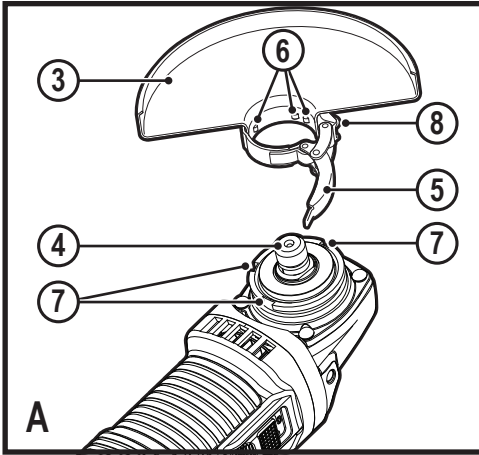
FATMAX®

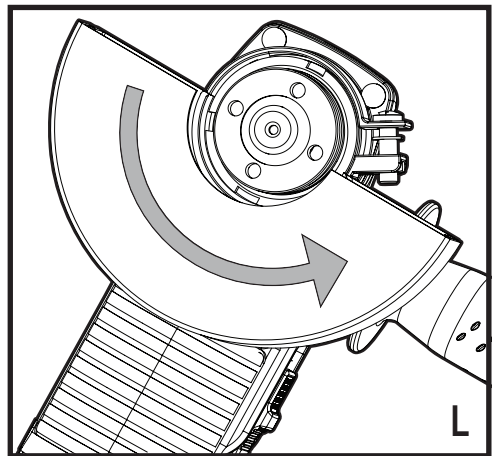
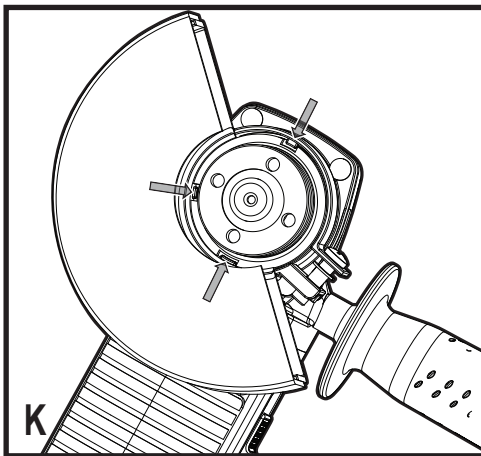
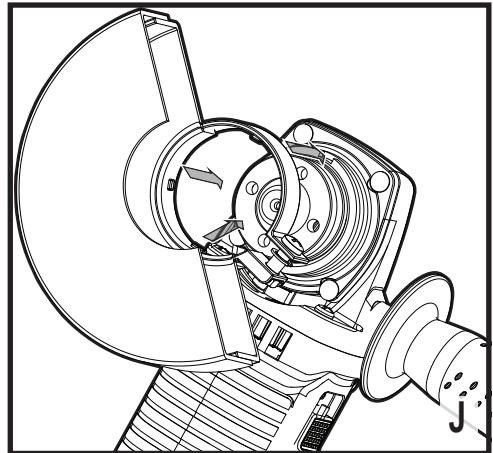
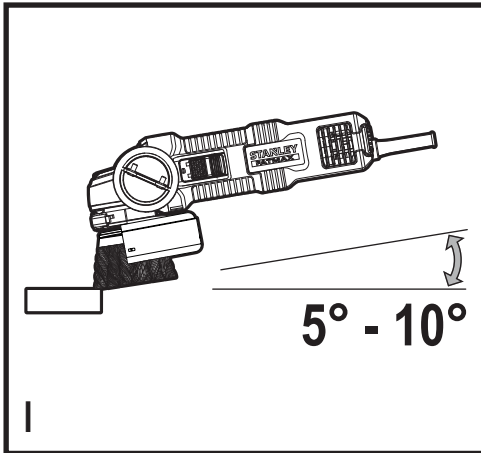
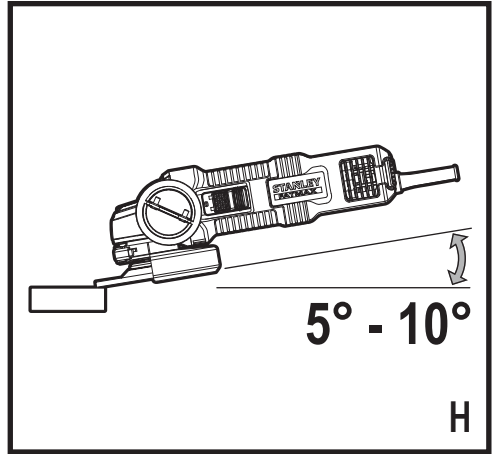
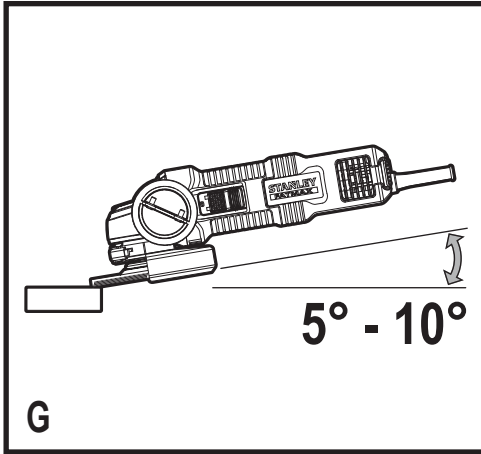
EN



www.stanley.eu

FMEG210
FMEG220





Intended use

Your Stanley Fat Max FMEG210 and FMEG220 angle grinders have been designed for grinding and cutting metal and masonry using the appropriate type of cutting or grinding disc. When fitted with the appropriate guard, These tools are intended for professional and private, non professional users.

Safety instructions

General power tool safety warnings



Warning! Read all safety warnings and all instructions. Failure to follow the warnings and instructions listed below may result in electric shock, fire and/or serious injury.

Save all warnings and instructions for future reference.

The term "power tool" in all of the warnings listed below refers to your mains operated (corded) power tool or battery operated (cordless) power tool.

1. Work area safety

- a. **Keep work area clean and well lit.** Cluttered or dark areas invite accidents.
- b. **Do not operate power tools in explosive atmospheres, such as in the presence of flammable liquids, gases or dust.** Power tools create sparks which may ignite the dust or fumes.
- c. **Keep children and bystanders away while operating a power tool.** Distractions can cause you to lose control.

2. Electrical safety

- a. **Power tool plugs must match the outlet. Never modify the plug in any way. Do not use any adapter plugs with earthed (grounded) power tools.** Unmodified plugs and matching outlets will reduce risk of electric shock.
- b. **Avoid body contact with earthed or grounded surfaces such as pipes, radiators, ranges and refrigerators.** There is an increased risk of electric shock if your body is earthed or grounded.
- c. **Do not expose power tools to rain or wet conditions.** Water entering a power tool will increase the risk of electric shock.
- d. **Do not abuse the cord. Never use the cord for carrying, pulling or unplugging the power tool. Keep cord away from heat, oil, sharp edges or moving parts.** Damaged or entangled cords increase the risk of electric shock.
- e. **When operating a power tool outdoors, use an extension cord suitable for outdoor use.** Use of a cord suitable for outdoor use reduces the risk of electric shock.

- f. **If operating a power tool in a damp location is unavoidable, use a residual current device (RCD) protected supply.** Use of an RCD reduces the risk of electric shock.

3. Personal safety

- a. **Stay alert, watch what you are doing and use common sense when operating a power tool. Do not use a power tool while you are tired or under the influence of drugs, alcohol or medication.** A moment of inattention while operating power tools may result in serious personal injury.
- b. **Use personal protective equipment. Always wear eye protection.** Protective equipment such as dust mask, non-skid safety shoes, hard hat, or hearing protection used for appropriate conditions will reduce personal injuries.
- c. **Prevent unintentional starting. Ensure the switch is in the off-position before connecting to power source and/or battery pack, picking up or carrying the tool.** Carrying power tools with your finger on the switch or energising power tools that have the switch on invites accidents.
- d. **Remove any adjusting key or wrench before turning the power tool on.** A wrench or a key left attached to a rotating part of the power tool may result in personal injury.
- e. **Do not overreach. Keep proper footing and balance at all times.** This enables better control of the power tool in unexpected situations.
- f. **Dress properly. Do not wear loose clothing or jewellery. Keep your hair, clothing and gloves away from moving parts.** Loose clothes, jewellery or long hair can be caught in moving parts.
- g. **If devices are provided for the connection of dust extraction and collection facilities, ensure these are connected and properly used.** Use of dust collection can reduce dust-related hazards.

4. Power tool use and care

- a. **Do not force the power tool. Use the correct power tool for your application.** The correct power tool will do the job better and safer at the rate for which it was designed.
- b. **Do not use the power tool if the switch does not turn it on and off.** Any power tool that cannot be controlled with the switch is dangerous and must be repaired.
- c. **Disconnect the plug from the power source and/or the battery pack from the power tool before making any adjustments, changing accessories, or storing power tools.** Such preventive safety measures reduce the risk of starting the power tool accidentally.

- d. **Store idle power tools out of the reach of children and do not allow persons unfamiliar with the power tool or these instructions to operate the power tool.** Power tools are dangerous in the hands of untrained users.
 - e. **Maintain power tools. Check for misalignment or binding of moving parts, breakage of parts and any other condition that may affect the power tools operation. If damaged, have the power tool repaired before use.** Many accidents are caused by poorly maintained power tools.
 - f. **Keep cutting tools sharp and clean.** Properly maintained cutting tools with sharp cutting edges are less likely to bind and are easier to control.
 - g. **Use the power tool, accessories and tool bits etc. in accordance with these instructions, taking into account the working conditions and the work to be performed.** Use of the power tool for operations different from those intended could result in a hazardous situation.
5. **Service**
- a. **Have your power tool serviced by a qualified repair person using only identical replacement parts.** This will ensure that the safety of the power tool is maintained.

Additional power tool safety warnings



Warning! Additional safety warnings Common for Grinding, Sanding, Wire Brushing, Polishing or Abrasive Cutting-Off Operations:

- ◆ **This power tool is intended to function as a grinder, sander, wire brush, polisher or cut-off tool. Read all safety warnings, instructions, illustrations and specifications provided with this power tool.** Failure to follow all instructions listed below may result in electric shock, fire and/or serious injury.
 - ◆ **Operations such as polishing or cutting-off are not recommended to be performed with this power tool.** Operations for which the power tool was not designed may create a hazard and cause personal injury.
 - ◆ **Do not use accessories which are not specifically designed and recommended by the tool manufacturer.** Just because the accessory can be attached to your power tool, it does not assure safe operation.
 - ◆ **The rated speed of the accessory must be at least equal to the maximum speed marked on the power tool.** Accessories running faster than their rated speed can break and fly apart.
 - ◆ **The outside diameter and the thickness of your accessory must be within the capacity rating of your power tool.** Incorrectly sized accessories cannot be adequately guarded or controlled.
 - ◆ **Threaded mounting of accessories must match the grinder spindle thread.**
- For accessories mounted by flanges, the arbour hole of the accessory must fit the locating diameter of the flange. Accessories that do not match the mounting hardware of the power tool will run out of balance, vibrate excessively and may cause loss of control.
- ◆ **Do not use a damaged accessory. Before each use inspect the accessory such as abrasive wheels for chips and cracks, backing pad for cracks, tear or excess wear, wire brush for loose or cracked wires. If power tool or accessory is dropped, inspect for damage or install an undamaged accessory. After inspecting and installing an accessory and run the power tool at maximum no-load speed for one minute.** Damaged accessories will normally break apart during this test time.
 - ◆ **Wear personal protective equipment. Depending on application, use face shield, safety goggles or safety glasses. As appropriate, wear dust mask, hearing protectors, gloves and workshop apron capable of stopping small abrasive or workpiece fragments.** The eye protection must be capable of stopping flying debris generated by various operations. The dust mask or respirator must be capable of filtering particles generated by your operation. Prolonged exposure to high intensity noise may cause hearing loss.
 - ◆ **Keep bystanders a safe distance away from work area. Anyone entering the work area must wear personal protective equipment.** Fragments of workpiece or of a broken accessory may fly away and cause injury beyond immediate area of operation.
 - ◆ **Hold power tool by insulated gripping surfaces only, when performing an operation where the cutting accessory may contact hidden wiring or its own cord.** Cutting accessory contacting a "live" wire may make exposed metal parts of the power tool "live" and give the operator an electric shock.
 - ◆ **Use clamps or another practical way to secure and support the workpiece to a stable platform.** Holding the work by hand or against your body leaves it unstable and may lead to loss of control.
 - ◆ **Position the cord clear of the spinning accessory.** If you lose control, the cord may be cut or snagged and your hand or arm may be pulled into the spinning accessory.
 - ◆ **Never lay the power tool down until the accessory has come to a complete stop.** The spinning accessory may grab the surface and pull the power tool out of your control.
 - ◆ **Do not run the power tool while carrying it at your side.** Accidental contact with the spinning accessory could snag your clothing, pulling the accessory into your body.

- ◆ **Regularly clean the power tool's air vents.** The motor's fan will draw the dust inside the housing and excessive accumulation of powdered metal may cause electrical hazards.
- ◆ **Do not operate the power tool near flammable materials.** Sparks could ignite these materials.
- ◆ **Do not use accessories that require liquid coolants.** Using water or other liquid coolants may result in electrocution or shock.

Note: The above warning does not apply for power tools specifically designed for use with a liquid system.

Kickback and related warnings

Kickback is a sudden reaction to a pinched or snagged rotating wheel, backing pad, brush or any other accessory. Pinching or snagging causes rapid stalling of the rotating accessory which in turn causes the uncontrolled power tool to be forced in the direction opposite of the accessory's rotation at the point of the binding.

For example, if an abrasive wheel is snagged or pinched by the workpiece, the edge of the wheel that is entering into the pinch point can dig into the surface of the material causing the wheel to climb out or kick out. The wheel may either jump toward or away from the operator, depending on direction of the wheel's movement at the point of pinching. Abrasive wheels may also break under these conditions.

Kickback is the result of power tool misuse and/or incorrect operating procedures or conditions and can be avoided by taking proper precautions as given below.

- ◆ **Maintain a firm grip on the power tool and position your body and arm to allow you to resist kickback forces.**
Always use auxiliary handle, if provided, for maximum control over kickback or torque reaction during start-up. The operator can control torque reactions or kickback forces, if proper precautions are taken.
- ◆ **Never place your hand near the rotating accessory.** Accessory may kickback over your hand.
- ◆ **Do not position your body in the area where power tool will move if kickback occurs.** Kickback will propel the tool in direction opposite to the wheel's movement at the point of snagging.
- ◆ **Use special care when working corners, sharp edges etc. Avoid bouncing and snagging the accessory.** Corners, sharp edges or bouncing have a tendency to snag the rotating accessory and cause loss of control or kickback.
- ◆ **Do not attach a saw chain woodcarving blade or toothed saw blade.** Such blades create frequent kickback and loss of control.

Safety warnings specific for grinding and abrasive cutting-off operations

- ◆ **Use only wheel types that are recommended for your power tool and the specific guard designed for the selected wheel.** Wheels for which the power tool was not designed cannot be adequately guarded and are unsafe.
- ◆ **The grinding surface of centre depressed wheels must be mounted below the plane of the guard lip.** An improperly mounted wheel that projects through the plane of the guard lip cannot be adequately protected.
- ◆ **The guard must be securely attached to the power tool and positioned for maximum safety, so the least amount of wheel is exposed towards the operator.** The guard helps to protect the operator from broken wheel fragments, accidental contact with wheel and sparks that could ignite clothing.
- ◆ **Wheels must be used only for recommended applications. For example: do not grind with the side of cut-off wheel.** Abrasive cut-off wheels are intended for peripheral grinding, side forces applied to these wheels may cause them to shatter.
- ◆ **Always use undamaged wheel flanges that are of correct size and shape for your selected wheel.** Proper wheel flanges support the wheel thus reducing the possibility of wheel breakage. Flanges for cut-off wheels may be different from grinding wheel flanges.
- ◆ **Do not use worn down wheels from larger power tools.** Wheel intended for larger power tool is not suitable for the higher speed of a smaller tool and may burst.

Additional safety warnings specific for abrasive cutting-off operations

- ◆ **Do not "jam" the cut-off wheel or apply excessive pressure. Do not attempt to make an excessive depth of cut.** Over stressing the wheel increases the loading and susceptibility to twisting or binding of the wheel in the cut and the possibility of kickback or wheel breakage.
- ◆ **Do not position your body in line with and behind the rotating wheel.** When the wheel, at the point of operation, is moving away from your body, the possible kickback may propel the spinning wheel and the power tool directly at you.
- ◆ **When wheel is binding or when interrupting a cut for any reason, switch off the power tool and hold the power tool motionless until the wheel comes to a complete stop. Never attempt to remove the cut-off wheel from the cut while the wheel is in motion otherwise kickback may occur.** Investigate and take corrective action to eliminate the cause of wheel binding.
- ◆ **Do not restart the cutting operation in the workpiece. Let the wheel reach full speed and carefully re-enter the cut.**

The wheel may bind, walk up or kickback if the power tool is restarted in the workpiece.

- ◆ **Support panels or any oversized workpiece to minimize the risk of wheel pinching and kickback.** Large workpieces tend to sag under their own weight. Supports must be placed under the workpiece near the line of cut and near the edge of the workpiece on both sides of the wheel.
- ◆ **Use extra caution when making a "pocket cut" into existing walls or other blind areas.** The protruding wheel may cut gas or water pipes, electrical wiring or objects that can cause kickback.

Safety warnings specific for sanding operations

- ◆ **Do not use excessively oversized sanding disc paper. Follow manufacturers recommendations, when selecting sanding paper.** Larger sanding paper extending beyond the sanding pad presents a laceration hazard and may cause snagging, tearing of the disc or kickback.

Safety warnings specific for wire brushing operations

- ◆ **Be aware that wire bristles are thrown by the brush even during ordinary operation. Do not overstress the wires by applying excessive load to the brush.** The wire bristles can easily penetrate light clothing and/or skin.
- ◆ **If the use of a guard is recommended for wire brushing, do not allow any interference of the wire wheel or brush with the guard.** Wire wheel or brush may expand in diameter due to work load and centrifugal forces.

Safety of others

- ◆ This appliance is not intended for use by persons (including children) with reduced physical, sensory or mental capabilities, or lack of experience and knowledge, unless they have been given supervision or instruction concerning use of the appliance by a person responsible for their safety.
- ◆ Children should be supervised to ensure that they do not play with the appliance.

Residual risks.

Additional residual risks may arise when using the tool which may not be included in the enclosed safety warnings.

These risks can arise from misuse, prolonged use etc.

Even with the application of the relevant safety regulations and the implementation of safety devices, certain residual risks can not be avoided. These include:

- ◆ Injuries caused by touching any rotating/moving parts.
- ◆ Injuries caused when changing any parts, blades or accessories.

- ◆ Injuries caused by prolonged use of a tool. When using any tool for prolonged periods ensure you take regular breaks.
- ◆ Impairment of hearing.
- ◆ Health hazards caused by breathing dust developed when using your tool (example:- working with wood, especially oak, beech and MDF.)

Vibration

The declared vibration emission values stated in the technical data and the declaration of conformity have been measured in accordance with a standard test method provided by EN 60745 and may be used for comparing one tool with another. The declared vibration emission value may also be used in a preliminary assessment of exposure.

Warning! The vibration emission value during actual use of the power tool can differ from the declared value depending on the ways in which the tool is used. The vibration level may increase above the level stated.

When assessing vibration exposure to determine safety measures required by 2002/44/EC to protect persons regularly using power tools in employment, an estimation of vibration exposure should consider, the actual conditions of use and the way the tool is used, including taking account of all parts of the operating cycle such as the times when the tool is switched off and when it is running idle in addition to the trigger time.

Labels on tool

The following pictograms, along with the date code, are shown on the tool:



Warning! To reduce the risk of injury, the user must read the instruction manual.



Wear safety glasses or goggles when operating this tool.



Wear ear protection when operating this tool

Electrical safety



Your charger is double insulated; therefore no earth wire is required. Always check that the mains voltage corresponds to the voltage on the rating plate.

- ◆ If the supply cord is damaged, it must be replaced by the manufacturer or an authorised Stanley Fat Max Service Centre in order to avoid a hazard.

Voltage drops

Inrush currents cause short-time voltage drops. Under unfavourable power supply conditions, other equipment may be affected.

If the system impedance of the power supply is lower than 0.107 Ω , disturbances are unlikely to occur

Features

This tool includes some or all of the following features.

1. On/off switch
2. Spindle lock
3. Guard
4. Side handle

Assembly

Warning! Before assembly, make sure that the tool is switched off and unplugged.

Fitting and removing the guard (fig. A)

The tool is supplied with a guard intended for grinding purposes only (type 27). If the unit is intended to perform cutting off operations, a guard specific for this operation (type 41) must be fitted. A suitable guard part numbers N551980 (for 115mm cutting wheel) and N542445 (for 125mm cutting wheel) are available and can be obtained from Stanley Fat

Max service centres. **Fitting**

- ◆ Place the tool on a table, with the spindle (4) facing up.
- ◆ Release the clamping lock (5) and hold the guard (3) over the tool as shown.
- ◆ Align the lugs (6) with the notches (7).
- ◆ Press the guard down and rotate it counterclockwise to the required position.
- ◆ Fasten the clamping lock (5) to secure the guard to the tool.
- ◆ If required, tighten the screw (8) to increase the clamping force.

Removing

- ◆ Release the clamping lock (5).
- ◆ Rotate the guard clockwise to align the lugs (6) with the notches (7).
- ◆ Remove the guard from the tool.

Warning! Never use the tool without the guard.

Fitting the side handle

- ◆ Screw the side handle (4) into one of the mounting holes in the tool.

Warning! Always use the side handle.

Fitting and removing grinding discs (fig. B - D)

Always use the correct type of disc for your application.

Always use discs with the correct diameter and bore size (see technical data).

Fitting

- ◆ Fit the guard as described above.
- ◆ Place the inner flange (9) onto the spindle (4) as shown (fig. B). Make sure that the flange is correctly located on the flat sides of the spindle.
- ◆ Place the disc (10) onto the spindle (4) as shown (fig. B). If the disc has a raised centre (11), make sure that the raised centre faces the inner flange.
- ◆ Make sure that the disc locates correctly on the inner flange.
- ◆ Place the outer flange (12) onto the spindle. When fitting a grinding disc, the raised centre on the outer flange must face towards the disc (A in fig. C). When fitting a cutting disc, the raised centre on the outer flange must face away from the disc (B in fig. C).
- ◆ Keep the spindle lock (2) depressed and tighten the outer flange using the two-pin spanner (13) (fig. D).

Removing

- ◆ Keep the spindle lock (2) depressed and loosen the outer flange (12) using the two-pin spanner (13) (fig. D).
- ◆ Remove the outer flange (12) and the disc (10).

Surface grinding with grinding discs

- ◆ Allow the tool to reach full speed before touching the tool to the work surface.
- ◆ Apply minimum pressure to the work surface, allowing the tool to operate at high speed. Grinding rate is greatest when the tool operates at high speed.
- ◆ Maintain a 20° to 30° angle between the tool and work surface as shown in figure F.
- ◆ Continuously move the tool in a forward and back motion to avoid creating gouges in the work surface.
- ◆ Remove the tool from work surface before turning tool off. Allow the tool to stop rotating before laying it down.

Edge grinding with grinding discs

Wheels used for cutting and edge grinding may break or kick back if they bend or twist while the tool is being used to do cutoff work or deep grinding. Edge grinding/ cutting with a Type 27 wheel must be limited to shallow cutting and notching, less than 13 mm in depth when the wheel is new. Reduce the depth of cutting/notching equal to the reduction of the wheel radius as it wears down. Refer to the 'Grinding and cutting accessory chart' at the end of this manual for more information. Edge grinding/cutting with a Type 41 wheel requires usage of a Type 41 guard.

- ◆ Allow the tool to reach full speed before touching the tool to the work surface.

- ◆ Apply minimum pressure to the work surface, allowing the tool to operate at high speed. Grinding rate is greatest when the tool operates at high speed.
- ◆ Position yourself so that the openunderside of the wheel is facing away from you.
- ◆ Once a cut is begun and a notch is established in the workpiece, do not change the angle of the cut. Changing the angle will cause the wheel to bend and may cause wheel breakage. Edge grinding wheels are not designed to withstand side pressures caused by bending.
- ◆ Remove the tool from the work surface before turning the tool off. Allow the tool to stop rotating before laying it down.

Warning! Do not use edge grinding/cutting wheels for surface grinding applications if the wheel label has forbidden such use because these wheels are not designed for side pressures encountered with surface grinding. Wheel breakage and serious personal injury may result.

Fitting and removing sanding discs (fig. D & E)

For sanding, a backing pad is required. The backing pad is available from your Stanley Fat Max dealer as an accessory.

Fitting

- ◆ Place the inner flange (9) onto the spindle (4) as shown (fig. E). Make sure that the flange is correctly located on the flat sides of the spindle.
- ◆ Place the backing pad (14) onto the spindle.
- ◆ Place the sanding disc (15) onto the backing pad.
- ◆ Place the outer flange (12) onto the spindle with the raised centre facing away from the disc.
- ◆ Keep the spindle lock (2) depressed and tighten the outer flange using the two-pin spanner (13) (fig. D). Make sure that the outer flange is fitted correctly and that the disc is clamped tightly.

Removing

- ◆ Keep the spindle lock (2) depressed and loosen the outer flange (12) using the two-pin spanner (13) (fig. D).
- ◆ Remove the outer flange (12), the sanding disc (15) and the backing pad (14).

Surface finishing with sanding discs

- ◆ Allow the tool to reach full speed before touching the tool to the work surface.
- ◆ Apply minimum pressure to work surface, allowing the tool to operate at high speed. Sanding rate is greatest when the tool operates at high speed.
- ◆ Maintain a 5° to 10° angle between the tool and work surface as shown in figure G.
- ◆ Continuously move the tool in a forward and back motion to avoid creating gouges in the work surface.

- ◆ Remove the tool from work surface before turning tool off. Allow the tool to stop rotating before laying it down.

Using sanding backing pads

Always choose the proper grit sanding discs for your application. Sanding discs are available in various grits. Coarse grits yield faster material removal rates and a rougher finish. Finer grits yield slower material removal and a smoother finish. Begin with coarse grit discs for fast, rough material removal. Move to a medium grit paper and finish with a fine grit disc for optimal finish.

- ◆ Coarse = 16 - 30 grit.
- ◆ Medium = 36 - 80 grit.
- ◆ Fine Finishing = 100 - 120 grit.
- ◆ Very Fine Finishing = 150 - 180 grit.
- ◆ Allow the tool to reach full speed before touching tool to the work surface.
- ◆ Apply minimum pressure to work surface, allowing the tool to operate at high speed. Sanding rate is greatest when the tool operates at high speed.
- ◆ Maintain a 5° to 10° angle between the tool and work surface as shown in figure H. The sanding disc should contact approximately 25mm of work surface.
- ◆ Move the tool constantly in a straight line to prevent burning and swirling of work surface. Allowing the tool to rest on the work surface without moving, or moving the tool in a circular motion causes burning and swirling marks on the work surface.
- ◆ Remove the tool from work surface before turning tool off. Allow the tool to stop rotating before laying it down.

Precautions to take when sanding paint

- ◆ Sanding of lead based paint is **NOT RECOMMENDED** due to the difficulty of controlling the contaminated dust. The greatest danger of lead poisoning is to children and pregnant women.
- ◆ Since it is difficult to identify whether or not a paint contains lead without a chemical analysis, we recommend the following precautions when sanding any paint:
 - ◆ No children or pregnant women should enter the work area where the paint sanding is being done until all clean up is completed.
 - ◆ A dust mask or respirator should be worn by all persons entering the work area. The filter should be replaced daily or whenever the wearer has difficulty breathing.

Note: Only those dust masks suitable for working with lead paint dust and fumes should be used. Ordinary painting masks do not offer this protection. See your local hardware dealer for the proper approved mask.

- ◆ NO EATING, DRINKING or SMOKING should be done in the work area to prevent ingesting contaminated paint particles. Workers should wash and clean up BEFORE eating, drinking or smoking. Articles of food, drink, or smoking should not be left in the work area where dust would settle on them.
- ◆ Paint should be removed in such a manner as to minimize the amount of dust generated.
- ◆ Areas where paint removal is occurring should be sealed with plastic sheeting of 4 mils thickness.
- ◆ Sanding should be done in a manner to reduce tracking of paint dust outside the work area.
- ◆ All surfaces in the work area should be vacuumed and thoroughly cleaned daily for the duration of the sanding project. Vacuum filter bags should be changed frequently.
- ◆ Plastic drop cloths should be gathered up and disposed of along with any dust chips or other removal debris. They should be placed in sealed refuse receptacles and disposed of through regular trash pick-up procedures. During clean up, children and pregnant women should be kept away from the immediate work area.
- ◆ All toys, washable furniture and utensils used by children should be washed thoroughly before being used again.

Fitting and using wire brushes and wire wheels

Wire cup brushes or wire wheels screw directly on the grinder spindle without the use of flanges. b. A Type 27 guard is required when using wire brushes and wheels. Wear work gloves when handling wire brushes and wheels. They can become sharp. Wheel or brush must not touch guard when mounted or while in use. Undetectable damage could occur to the accessory, causing wires to fragment from accessory wheel or cup.

- ◆ Thread the wheel on the spindle by hand.
- ◆ Depress spindle lock button and use a wrench on the hub of the wire wheel or brush to tighten the wheel.
- ◆ To remove the wheel, reverse the above procedure.

Warning! Failure to properly seat the wheel hub before turning the tool on may result in damage to tool or wheel.

Wire wheels and brushes can be used for removing rust, scale and paint, and for smoothing irregular surfaces.

Note: The same precautions should be taken when wire brushing paint as when sanding paint.

- ◆ Allow the tool to reach full speed before touching the tool to the work surface.
- ◆ Apply minimum pressure to work surface, allowing the tool to operate at high speed. Material removal rate is greatest when the tool operates at high speed.
- ◆ Maintain a 5° to 10° angle between the tool and work surface for wire cup brushes as shown in figure I.

- ◆ Maintain contact between the edge of the wheel and the work surface with wire wheels.
- ◆ Continuously move the tool in a forward and back motion to avoid creating gouges in the work surface. Allowing the tool to rest on the work surface without moving, or moving the tool in a circular motion causes burning and swirling marks on the work surface.
- ◆ Remove the tool from the work surface before turning the tool off. Allow the tool to stop rotating before setting it down.

Warning! Use extra care when working over an edge, as a sudden sharp movement of grinder may be experienced.

Mounting and using cutting (type 41) wheels

Cutting wheels include diamond wheels and abrasive discs. Abrasive cutting wheels for metal and concrete use are available. Diamond blades for concrete cutting can also be used.

NOTE: A closed, 2-sided Type 41 cutting wheel guard is sold separately and is required when using cutting wheels. Failure to use proper flange and guard can result in injury resulting from wheel breakage and wheel contact. Matching diameter backing flange and threaded clamp nut (included with tool) must be used for cutting wheels.

Mounting closed (type 41) guard (Fig. J, K, L)

- ◆ Align the three lugs on the guard (7) with the three slots on the hub. This will align the lugs with slots on the gear case cover as shown in figure J.
- ◆ Push the guard down until the guard lug engages in the groove on the gear case hub as shown in figure K.
- ◆ Rotate guard (7) counterclockwise to lock it into place. The guard body should be positioned between the spindle and the operator to provide maximum operator protection as shown in figure L.
- ◆ Tighten the guard latch screw to secure the guard on the gear case cover. You should be unable to rotate the guard by hand. Do not operate grinder with a loose guard.
- ◆ To remove the guard, loosen the guard latch screw. Then rotate the guard so that the three lugs on the guard (7) align with the three slots on the hub and pull up on the guard.

Mounting cutting wheels

- ◆ Place the unthreaded backing flange on spindle with the raised section (pilot) facing up. The raised section (pilot) on the backing flange will be against the wheel when the wheel is installed.
- ◆ Place the wheel on the backing flange, centering the wheel on the raised section (pilot).
- ◆ Install the threaded clamp nut with the raised section (pilot) facing away from the wheel.

- ◆ Depress the spindle lock button and tighten clamp nut with included wrench.
- ◆ To remove the wheel, depress the spindle lock button and loosen the threaded clamp nut with included wrench.

Warning! Do not use edge grinding/cutting wheels for surface grinding applications because these wheels are not designed for side pressures encountered with surface grinding. Wheel breakage and injury may result.

- ◆ Allow tool to reach full speed before touching tool to work surface.
- ◆ Apply minimum pressure to work surface, allowing tool to operate at high speed. Cutting rate is greatest when the tool operates at high speed.
- ◆ Once a cut is begun and a notch is established in the workpiece, do not change the angle of the cut. Changing the angle will cause the wheel to bend and may cause wheel breakage.
- ◆ Remove the tool from work surface before turning tool off. Allow the tool to stop rotating before setting it down.

Use

Warning! Let the tool work at its own pace. Do not overload.

- ◆ Carefully guide the cable in order to avoid accidentally cutting it.
- ◆ Be prepared for a stream of sparks when the grinding or cutting disc touches the workpiece.
- ◆ Always position the tool in such a way that the guard provides optimum protection from the grinding or cutting disc.

Switching on and off

- ◆ To switch the tool on, press the on/off switch (1).
- ◆ To switch the tool off, release the on/off switch (1).

Warning! Do not switch the tool off while under load.

Hints for optimum use

- ◆ Firmly hold the tool with one hand around the side handle and the other hand around the main handle.
- ◆ When grinding, always maintain an angle of approx. 15° between the disc and the workpiece surface.

Maintenance

Your Stanley Fat Max corded/cordless appliance/tool has been designed to operate over a long period of time with a minimum of maintenance. Continuous satisfactory operation depends upon proper tool care and regular cleaning.

Warning! Before performing any maintenance on corded/cordless power tools:

- ◆ Switch off and unplug the appliance/tool.

- ◆ Or switch off and remove the battery from the appliance/tool if the appliance/tool has a separate battery pack.
- ◆ Or run the battery down completely if it is integral and then switch off.
- ◆ Unplug the charger before cleaning it. Your charger does not require any maintenance apart from regular cleaning.
- ◆ Regularly clean the ventilation slots in your appliance/tool/charger using a soft brush or dry cloth.
- ◆ Regularly clean the motor housing using a damp cloth. Do not use any abrasive or solvent-based cleaner.
- ◆ Regularly open the chuck and tap it to remove any dust from the interior (when fitted).

Mains plug replacement (U.K. & Ireland only)

If a new mains plug needs to be fitted:

- ◆ Safely dispose of the old plug.
- ◆ Connect the brown lead to the live terminal in the new plug.
- ◆ Connect the blue lead to the neutral terminal.

Warning! No connection is to be made to the earth terminal.





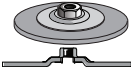







Follow the fitting instructions supplied with good quality plugs.

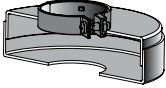
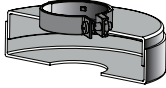













Recommended fuse: 13 A.

Troubleshooting

Problem	Possible cause	Possible solution
Unit will not start.	Cord not plugged in.	Plug tool into a working outlet.
	Cord or switch is damaged.	Have cord or switch replaced at a Stanley FatMax service center or authorized servicer.)

Grinding and cutting accessory chart

115mm Grinding Wheels	
 Type 27 guard	 Type 27 guard
 Unthreaded backing flange	
 Type 27 depressed center wheel	 Type 27 hubbed wheel
 Threaded clamp nut	
115mm Sanding Flap Discs	
 Type 27 guard	 Type 27 guard
 Hubbed sanding flap disc	 Unthreaded backing flange
	 non-hubbed sanding flap disc
	 Threaded clamp nut

115mm Type 41 Cutting Wheels	
 Type 41 guard	 Type 41 guard
 Backing flange	 Backing flange
 Abrasive cutting wheel	 Diamond cutting wheel
 Clamp nut	 Clamp nut
Wire Wheels	
 Type 27 guard	 Type 27 guard
 3 inch wire cup brush	 4 inch wire cup brush
Sanding Discs	
 Rubber backing pad	
 Sanding disc	
 Threaded clamp nut	

Protecting the environment



Separate collection. Products and batteries marked with this symbol must not be disposed of with normal household waste.

Products and batteries contain materials that can be recovered or recycled reducing the demand for raw materials. Please recycle electrical products and batteries according to local provisions. Further information is available at www.2helpU.com

Technical data

		FMEG210	FMEG220
Input voltage	V _{AC}	230	230
Power input	W	850	850
Rated speed	min ⁻¹	12000	12000
Disc bore	mm	22	22
Max disc thickness			
Grinding discs	mm	6	6
Cutting discs	mm	3.5	3.5
Spindle size		M14	M14
Weight	Kg	1.9	1.9

Level of sound pressure according to EN 60745:

Sound pressure (L_{pA}) 96 dB(A), uncertainty (K) 3 dB(A)
acoustic power (L_{WA}) 107 dB(A), uncertainty (K) 3 dB(A)

Vibration total values (triax vector sum) according to EN 60745:

Surface grinding (a_{h,SG}) 5.4 m/s², uncertainty (K) 1.5 m/s²
Disc sanding (a_{h,DS}) 5.4 m/s², uncertainty (K) 1.5 m/s²

EC declaration of conformity

MACHINERY DIRECTIVE



FMEG210, FMEG220 Angle grinder

Stanley Europe declares that these products described under "technical data" are in compliance with:

2006/42/EC, EN 60745-1:2009 + A11:2010;
EN 60745-2-3:2011 + A2:2013 + A11:2014
+ A12:2014 + A13:2015

These products also comply with Directive 2014/30/EU and 2011/65/EU.

For more information, please contact Stanley Europe at the following address or refer to the back of the manual.

The undersigned is responsible for compilation of the technical file and makes this declaration on behalf of Stanley Europe.

Ray Laverick
Director of Engineering
Stanley Europe, Egide Walschaertsstraat14-18,
2800 Mechelen, Belgium
31/08/2017

Guarantee

Stanley Fat Max is confident of the quality of its products and offers consumers a 12 month guarantee from the date of purchase. This guarantee is in addition to and in no way prejudices your statutory rights. The guarantee is valid within the territories of the Member States of the European Union and the European Free Trade Area.

To claim on the guarantee, the claim must be in accordance with Stanley Fat Max Terms and Conditions and you will need to submit proof of purchase to the seller or an authorised repair agent. Terms and conditions of the Stanley Fat Max 1 year guarantee and the location of your nearest authorised repair agent can be obtained on the Internet at www.2helpU.com, or by contacting your local Stanley Fat Max office at the address indicated in this manual.

Please visit our website www.blackanddecker.co.uk to register your new Stanley Fat Max product and receive updates on new products and special offers

United Kingdom

Stanley Fat Max
210 Bath Road
Slough, Berkshire SL1 3YD

Tel. 01753 511234
Fax 01753 572112
www.stanleytools.co.uk