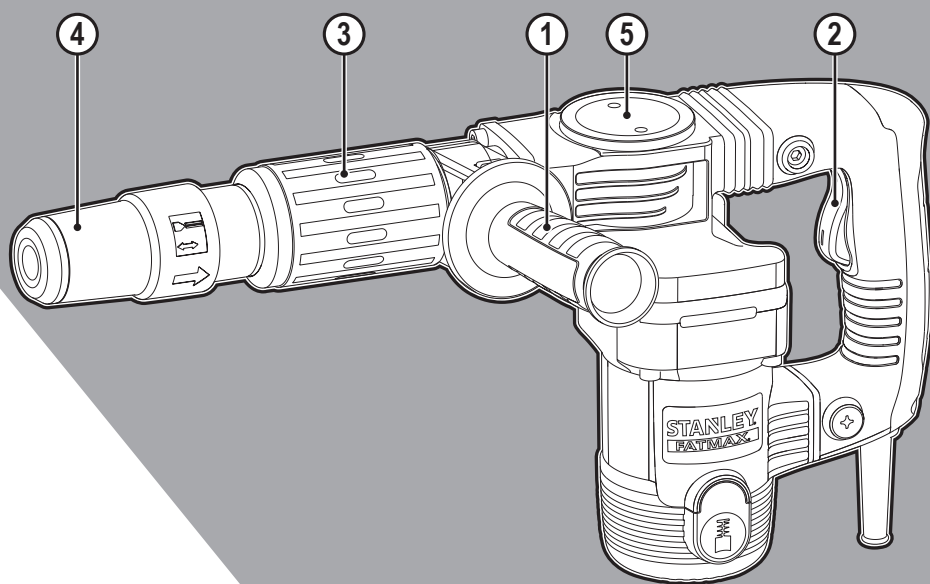


# STANLEY®

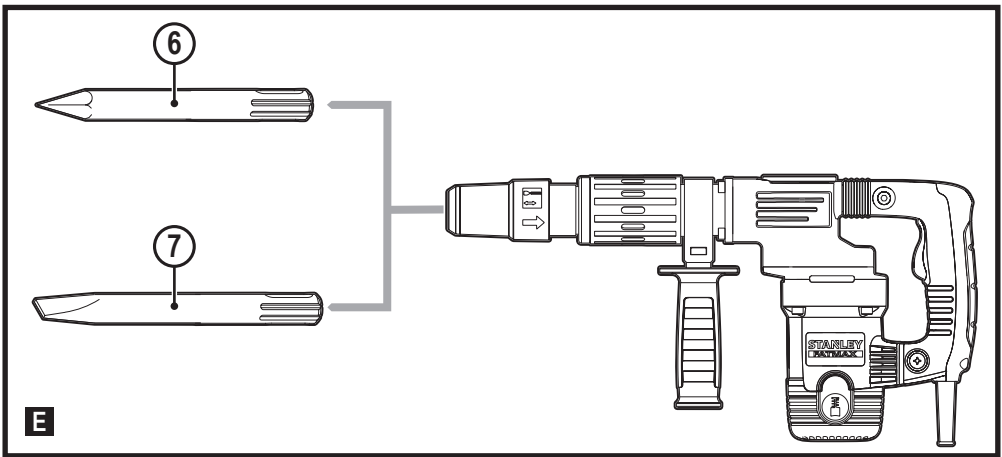
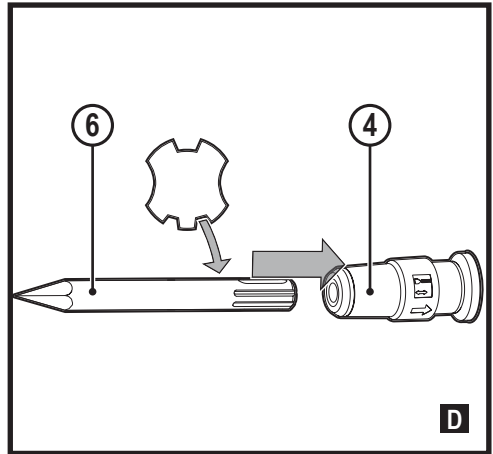
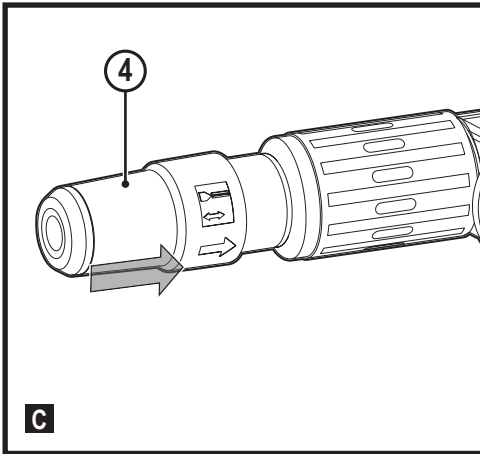
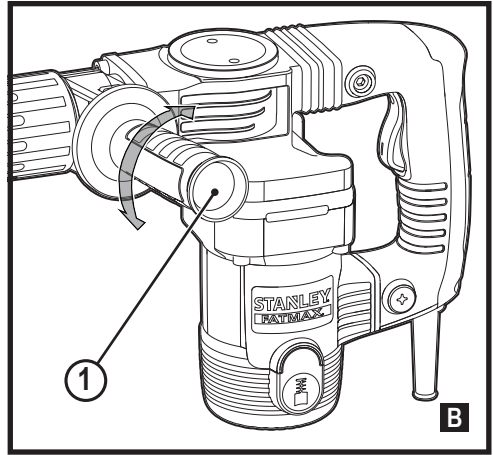
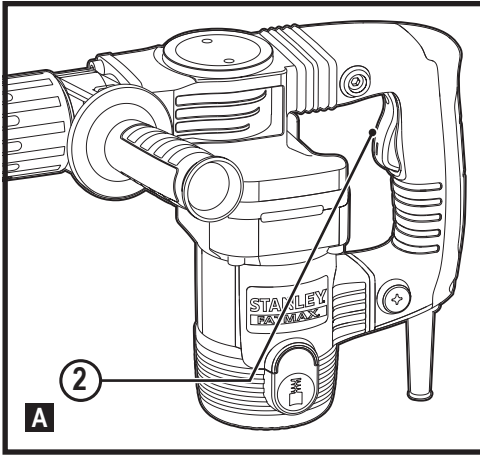
## FATMAX®

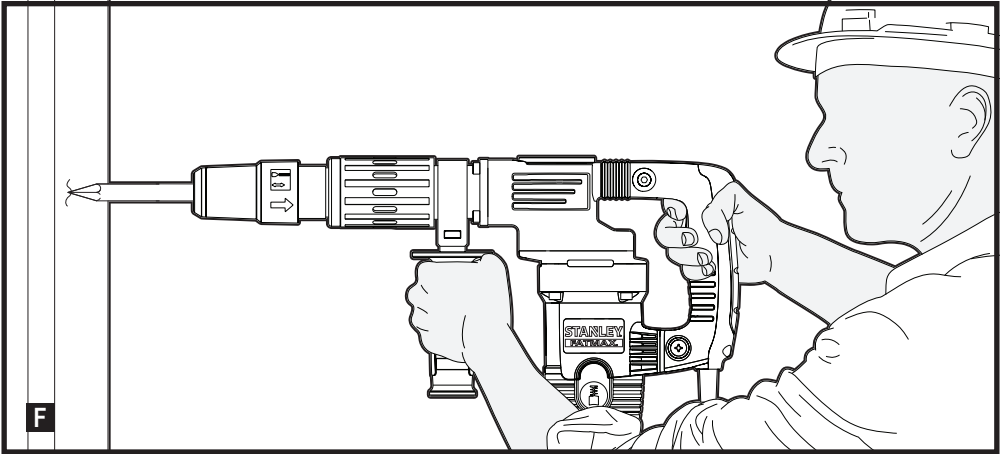


[www.stanley.eu](http://www.stanley.eu)

### SFMEH220

English ( <b>original instructions</b> )	4
Deutsch ( <i>übersetzt von den originalanweisungen</i> )	9
Français ( <i>traduction de la notice d'instructions originale</i> )	15
Italiano ( <i>tradotto dalle istruzioni originali</i> )	21
Nederlands ( <i>vertaald vanuit de originele instructies</i> )	27
Español ( <i>traducido de las instrucciones originales</i> )	33
Português ( <i>traduzido das instruções originais</i> )	39
Svenska ( <i>översatt från de ursprungliga instruktionerna</i> )	44
Norsk ( <i>oversatt fra de originale instruksjonene</i> )	49
Dansk ( <i>oversat fra original brugsvejledning</i> )	54
Suomi ( <i>käännetty alkuperäisestä käyttöohjeesta</i> )	59
Ελληνικά ( <i>μετάφραση από τις πρωτότυπες οδηγίες</i> )	64





## Intended use

STANLEY FATMAX® SFMEH220 Demolition hammer has been designed for light or medium chipping, chiselling and demolition applications in concrete, brick and masonry. This tool is intended for professional and private, non professional use.

## Safety instructions

### General power tool safety warnings



**WARNING!** Read all safety warnings, instructions, illustrations and specifications provided with this power tool. Failure to follow the warnings and instructions listed below may result in electric shock, fire and/or serious injury..

### Save all warnings and instructions for future reference.

The term "power tool" in all of the warnings listed below refers to your mains operated (corded) power tool or battery operated (cordless) power tool.

#### 1. Work area safety

- a. **Keep work area clean and well lit.** Cluttered or dark areas invite accidents.
- b. **Do not operate power tools in explosive atmospheres, such as in the presence of flammable liquids, gases or dust.** Power tools create sparks which may ignite the dust or fumes.
- c. **Keep children and bystanders away while operating a power tool.** Distractions can cause you to lose control.

#### 2. Electrical safety

- a. **Power tool plugs must match the outlet. Never modify the plug in any way.**

**Do not use any adapter plugs with earthed (grounded) power tools.** Unmodified plugs and matching outlets will reduce risk of electric shock.

- b. **Avoid body contact with earthed or grounded surfaces such as pipes, radiators, ranges and refrigerators.** There is an increased risk of electric shock if your body is earthed or grounded.
- c. **Do not expose power tools to rain or wet conditions.** Water entering a power tool will increase the risk of electric shock.
- d. **Do not abuse the cord. Never use the cord for carrying, pulling or unplugging the power tool. Keep cord away from heat, oil, sharp edges or moving parts.** Damaged or entangled cords increase the risk of electric shock.
- e. **When operating a power tool outdoors, use an extension cord suitable for outdoor use.** Use of a cord suitable for outdoor use reduces the risk of electric shock.
- f. **If operating a power tool in a damp location is unavoidable, use a residual current device (RCD) protected supply.** Use of an RCD reduces the risk of electric shock.

#### 3. Personal safety

- a. **Stay alert, watch what you are doing and use common sense when operating a power tool.** Do not use a power tool while you are tired or under the influence of drugs, alcohol or medication. A moment of inattention while operating power tools may result in serious personal injury.
- b. **Use personal protective equipment. Always wear eye protection.** Protective equipment such as a dust mask, non-skid safety shoes, hard hat, or hearing protection used for appropriate conditions will reduce personal injuries.

- c. **Prevent unintentional starting.** Ensure the switch is in the off-position before connecting to power source and/or battery pack, picking up or carrying the tool. Carrying power tools with your finger on the switch or energising power tools that have the switch on invites accidents.
- d. **Remove any adjusting key or wrench before turning the power tool on.** A wrench or a key left attached to a rotating part of the power tool may result in personal injury.
- e. **Do not overreach. Keep proper footing and balance at all times.** This enables better control of the power tool in unexpected situations.
- f. **Dress properly. Do not wear loose clothing or jewellery. Keep your hair and clothing away from moving parts.** Loose clothes, jewellery or long hair can be caught in moving parts.
- g. **If devices are provided for the connection of dust extraction and collection facilities, ensure these are connected and properly used.** Use of dust collection can reduce dust-related hazards.
- h. **Do not let familiarity gained from frequent use of tools allow you to become complacent and ignore tool safety principles.** A careless action can cause severe injury within a fraction of a second.
4. **Power tool use and care**
- a. **Do not force the power tool. Use the correct power tool for your application.**  
The correct power tool will do the job better and safer at the rate for which it was designed.
- b. **Do not use the power tool if the switch does not turn it on and off.** Any power tool that cannot be controlled with the switch is dangerous and must be repaired.
- c. **Disconnect the plug from the power source and/or remove the battery pack, if detachable, from the power tool before making any adjustments, changing accessories, or storing power tools.** Such preventive safety measures reduce the risk of starting the power tool accidentally.
- d. **Store idle power tools out of the reach of children and do not allow persons unfamiliar with the power tool or these instructions to operate the power tool.**  
Power tools are dangerous in the hands of untrained users.
- e. **Maintain power tools and accessories. Check for misalignment or binding of moving parts, breakage of parts and any other condition that may affect the power tool's operation. If damaged, have the power tool repaired before use.** Many accidents are caused by poorly maintained power tools.
- f. **Keep cutting tools sharp and clean.** Properly maintained cutting tools with sharp cutting edges are less likely to bind and are easier to control.
- g. **Use the power tool, accessories and tool bits etc. in accordance with these instructions, taking into account the working conditions and the work to be performed.**  
Use of the power tool for operations different from those intended could result in a hazardous situation.
- h. **Keep handles and grasping surfaces dry, clean and free from oil and grease.** Slippery handles and grasping surfaces do not allow for safe handling and control of the tool in unexpected situations.
5. **Service**
- a. **Have your power tool serviced by a qualified repair person using only identical replacement parts.**  
This will ensure that the safety of the power tool is maintained.

## Hammer Safety Warnings

### Safety instructions for all operations

- ◆ **Wear ear protectors.** Exposure to noise can cause hearing loss.
- ◆ **Use auxiliary handles, if supplied with the tool.** Loss of control can cause personal injury.
- ◆ **Hold the power tool by insulated gripping surfaces, when performing an operation where the cutting accessory may contact hidden wiring or its own cord.** Cutting accessory contacting a "live" wire may make exposed metal parts of the power tool "live" and could give the operator an electric shock.

### Additional safety instructions for hammers

- ◆ **Use clamps or other practical way to secure and support the workpiece to a stable platform.**  
Holding the work by hand or against your body is unstable and may lead to loss of control.
- ◆ **Wear safety goggles or other eye protection.** **Hammering operations cause chips to fly.** Flying particles can cause permanent eye damage. Wear a dust mask or respirator for applications that generate dust. Ear protection may be required for most applications.
- ◆ **Keep a firm grip on the tool at all times. Do not attempt to operate this tool without holding it with both hands. It is recommended that the side handle be used at all times.** Operating this tool with one hand will result in loss of control. Breaking through or encountering hard materials such as re-bar may be hazardous as well. Tighten the side handle securely before use.
- ◆ **Do not operate this tool for long periods of time.** Vibration caused by hammer action may be harmful to your hands and arms. Use gloves to provide extra cushion and limit exposure by taking frequent rest periods.

- ◆ **Do not recondition bits yourself.** Chisel reconditioning should be done by an authorized specialist. Improperly reconditioned chisels could cause injury.
- ◆ **Wear gloves when operating tool or changing bits.** Accessible metal parts on the tool and bits may get extremely hot during operation. Small bits of broken material may damage bare hands.
- ◆ **Never lay the tool down until the bit has come to a complete stop.** Moving bits could cause injury.
- ◆ **Do not strike jammed bits with a hammer to dislodge them.** Fragments of metal or material chips could dislodge and cause injury.
- ◆ **Slightly worn chisels can be resharpened by grinding.**
- ◆ **Keep the power cord away from the rotating bit. Do not wrap the cord around any part of your body.** An electric cord wrapped around a spinning bit may cause personal injury and loss of control.

### Safety of others

- ◆ This tool is not intended for use by persons (including children) with reduced physical, sensory or mental capabilities, or lack of experience and knowledge, unless they have been given supervision or instruction concerning use of the appliance by a person responsible for their safety.
- ◆ Children should be supervised to ensure that they do not play with the appliance.

### Residual risks

Additional residual risks may arise when using the tool which may not be included in the enclosed safety warnings. These risks can arise from misuse, prolonged use etc.

Even with the application of the relevant safety regulations and the implementation of safety devices, certain residual risks can not be avoided. These include:

- ◆ Injuries caused by touching any rotating/moving parts.
- ◆ Injuries caused when changing any parts, blades or accessories.
- ◆ Injuries caused by prolonged use of a tool. When using any tool for prolonged periods ensure you take regular breaks.
- ◆ Impairment of hearing.
- ◆ Health hazards caused by breathing dust developed when using your tool (example:- working with wood, especially oak, beech and MDF.)

### Vibration and noise

The declared vibration and noise emission values stated in the technical data and the declaration of conformity have been measured in accordance with a standard test method provided by EN62841 and may be used for comparing one tool with another. The declared vibration and noise emission value may also be used in a preliminary assessment of exposure.

**WARNING!** The vibration and noise emission value during actual use of the power tool can differ from the declared value depending on the ways in which the tool is used. The vibration and noise level may increase above the level stated.

When assessing vibration exposure to determine safety measures required by 2002/44/EC to protect persons regularly using power tools in employment, an estimation of vibration exposure should consider, the actual conditions of use and the way the tool is used, including taking account of all parts of the operating cycle such as the times when the tool is switched off and when it is running idle in addition to the trigger time.

### Labels on tool

The following pictograms are shown on the tool, along with the date code:



**WARNING!** To reduce the risk of injury, the user must read the instruction manual.



Wear safety glasses or goggles.



Wear ear protection.

### Electrical safety



This tool is double insulated; therefore no earth wire is required. Always check that the power supply corresponds to the voltage on the rating plate.

- ◆ If the supply cord is damaged, it must be replaced by the manufacturer or an authorised Stanley Fat Max Service Centre in order to avoid a hazard.

### Using an extension cable

Always use an approved extension cable suitable for the power input of this appliance (see technical data). The extension cable must be suitable for outdoor use and marked accordingly. Up to 30 m of 1.5 mm<sup>2</sup> H05VV-F extension cable can be used without loss of product performance. Before use, inspect the extension cable for signs of damage, wear and ageing. Replace the extension cable if damaged or defective. When using a cable reel, always unwind the cable completely.

### Features

This tool includes some or all of the following features.

1. Side handle
2. Switch
3. Barrel cover
4. SDS MAX Chuck
5. Lube oil-injection inlet

## Use

**WARNING!** Before attempting any of the following operations, make sure that the tool is switched off and unplugged.

### Switching on and off (Fig. A)

- ◆ To run the tool, press the switch (2) and turn it in 'ON' position.
- ◆ To stop the tool, turn it in 'OFF' position and release the switch (2).

### Fitting the side handle (Fig. B)

The side handle (1) can be fitted to suit both RH- and LH-users.

**WARNING!** Do not use the tool without the side handle properly assembled.

- ◆ Loosen the side handle.
- ◆ For RH-users: Slide the side handle clamp over the collar behind the tool holder, handle at the left. For LH-users: Slide the side handle clamp over the collar behind the tool holder, handle at the right.
- ◆ Rotate the side handle to the desired position and tighten the handle.

### Inserting and removing SDS Max accessories (fig. C,D)

This tool uses SDS Max accessories (refer to figure D for a cross-section of an SDS Max bit shank). We recommend to use professional accessories only.

- ◆ Clean and grease the bit shank.
- ◆ Insert the bit shank into the bit holder/tool sleeve (4).
- ◆ Push the bit down and turn it slightly until it fits into the slots.
- ◆ Pull on the bit to check if it is properly locked. The hammering function requires the bit to be able to move axially several centimetres when locked in the tool holder.
- ◆ To remove a bit pull back the tool holder/locking sleeve (4), as illustrated in figure C, and pull out the bit.

**WARNING!** Always wear gloves when you change accessories. The exposed metal parts on the tool and accessory may become extremely hot during operation.

### Chipping and chiselling (Fig. E)

- ◆ Insert the appropriate chisel (Not supplied) in right position.
- ◆ Adjust the side handle (1) as required.
- ◆ Switch on the tool and start working.
- ◆ Always switch off the tool when work is finished and before unplugging.
- ◆ Always observe the safety instructions and applicable regulations.
- ◆ Be aware of the location of pipework and wiring.

- ◆ Apply only a gentle pressure to the tool (approx. 5 kg). Excessive force does not speed up chiselling but decreases tool performance and may shorten tool life.
- ◆ Always hold the tool firmly with both hands and ensure a secure stance.  
Always operate the tool with the side handle properly mounted.

### Proper hand position (Fig. F)

**WARNING!** To reduce the risk of serious personal injury, ALWAYS use proper hand position as shown.

**WARNING!** To reduce the risk of serious personal injury, ALWAYS hold securely in anticipation of a sudden reaction. Proper hand position requires one hand on the side handle (1), with the other hand on the main handle.

**WARNING!** Do not use this tool to mix or pump easily combustible or explosive fluids (benzine, alcohol, etc.). Do not mix or stir inflammable liquids labelled accordingly.

### Accessories

The performance of your tool depends on the accessory used. Stanley Fat Max accessories are engineered to high quality standards and designed to enhance the performance of your tool. By using these accessories you will get the very best from your tool.

### Maintenance

Your Stanley Fat Max corded/cordless appliance/tool has been designed to operate over a long period of time with a minimum of maintenance. Continuous satisfactory operation depends upon proper tool care and regular cleaning.

**WARNING!** Before performing any maintenance on corded/cordless power tools:

- ◆ Switch off and unplug the appliance/tool.
- ◆ Or switch off and remove the battery from the appliance/tool if the appliance/tool has a separate battery pack.
- ◆ Or run the battery down completely if it is integral and then switch off.
- ◆ Unplug the charger before cleaning it. Your charger does not require any maintenance apart from regular cleaning.
- ◆ Regularly clean the ventilation slots in your appliance/tool/charger using a soft brush or dry cloth.
- ◆ Regularly clean the motor housing using a damp cloth. Do not use any abrasive or solvent-based cleaner.
- ◆ Regularly open the chuck and tap it to remove any dust from the interior (when fitted).

### Mains plug replacement (U.K. & Ireland only)

If a new mains plug needs to be fitted:

- ◆ Safely dispose of the old plug.
- ◆ Connect the brown lead to the live terminal in the new plug.

- ◆ Connect the blue lead to the neutral terminal.

**WARNING!** No connection is to be made to the earth terminal. Follow the fitting instructions supplied with good quality plugs. Recommended fuse: 10 A.

**Protecting the environment**



Separate collection. Products and batteries marked with this symbol must not be disposed of with normal household waste.

Products and batteries contain materials that can be recovered or recycled reducing the demand for raw materials. Please recycle electrical products and batteries according to local provisions. Further information is available at [www.2helpU.com](http://www.2helpU.com)

**Technical data**

		SFMEH220 (Type 01)
Voltage	V	230
Frequency	Hz	50
Power input	W	1010
Impact rate	bpm	2900
Impact energy (EPTA / Max)	J	8.5
Chuck Type		SDS Max
Weight	kg	6.3

Level of sound pressure according to EN62841:		
Sound pressure ( $L_{PA}$ )	dB(A)	95
Sound pressure uncertainty ( $K_{PA}$ )	dB(A)	3
Sound power ( $L_{WA}$ )	dB(A)	103
Sound power uncertainty ( $K_{WA}$ )	dB(A)	1.8
Vibration emission value ah (Chiselling):		
( $a_{h,Chis}$ )	m/s <sup>2</sup>	14.3
Uncertainty (K)	m/s <sup>2</sup>	1.5

**Declaration of conformity  
The Supply of Machinery (Safety)  
Regulations 2008**



SFMEH220 Demolition Hammer

Stanley FatMax declares that these products described under "technical data" are in compliance with:

EN62841-1:2015 +A11:2022, EN IEC62841-2-6:2020 +A11:2020.

These products conform to the following UK Regulations:  
The Supply of Machinery (Safety) Regulations, 2008, S.I. 2008/1597 (as amended).

Electromagnetic Compatibility Regulations, 2016, S.I.2016/1091 (as amended).

The Restriction of the Use of Certain Hazardous Substances in Electrical and Electronic Equipment Regulations 2012, S.I. 2012/3032 (as amended).

The Noise Emission in the Environment by Equipment for use Outdoors Regulations 2001, S.I. 2001/1701 (as amended), Schedule 9.

Intertek Testing & Certification Ltd, Academy Place, 1-9 Brook Street, Brentwood, Essex, CM14 5NQ, United Kingdom  
Approved Body Number: 0359 LWA (measured sound power level) 103 dB(A), uncertainty (K) = 1,8 dB (A), LWA (guaranteed sound power) 105 dB(A).

For more information, please contact Stanley FatMax at the following address or refer to the back of the manual.

The undersigned is responsible for compilation of the technical file and makes this declaration on behalf of Stanley FatMax.

Karl Evans  
Vice President Professional Power Tools EANZ GTS  
STANLEY FATMAX  
270 Bath Road, Slough, Berkshire, SL1 4DX  
England  
12.30.2022

**EC declaration of conformity**

MACHINERY DIRECTIVE



SFMEH220 Demolition Hammer

Stanley Fat Max declares that these products described under "technical data" are in compliance with: 2006/42/EC.

EN62841-1:2015+A11:2022, EN IEC62841-2-6:2020 +A11:2020.

These products also comply with directive 2014/30/EU, and 2011/65/EU.

2000/14/EC, Electrical concrete breaker (hand-held), m ≤ 15 kg, Annex VI, DEKRA Testing and Certification GmbH, Handwerkstraße 15, 70565 Stuttgart.

Location Certification Body, Dinnendahlstr. 9, 44809 Bochum, Germany Notified Body number: 0158 LWA (measured sound power level) 103 dB(A), uncertainty (K) = 1,8 dB (A), LWA (guaranteed sound power) 105 dB(A).



For more information, please contact Stanley Fat Max at the following address or refer to the back of the manual.

The undersigned is responsible for compilation of the technical file and makes this declaration on behalf of Stanley Fat Max.

*Patrick Diepenbach*

Patrick Diepenbach  
General Manager, Benelux  
Stanley Fat Max,  
Egide Walschaertsstraat 14-18  
2800 Mechelen, Belgium  
12.30.2022

### Guarantee

Stanley Fat Max is confident of the quality of its products and offers consumers a 12 month guarantee from the date of purchase. This guarantee is in addition to and in no way prejudices your statutory rights. The guarantee is valid within the territories of the Member States of the European Union, European Free Trade area and the United Kingdom.

To claim on the guarantee, the claim must be in accordance with Stanley Fat Max Terms and Conditions and you will need to submit proof of purchase to the seller or an authorised repair agent.

Terms and conditions of the Stanley Fat Max 1 year guarantee and the location of your nearest authorised repair agent can be obtained on the Internet at [www.2helpU.com](http://www.2helpU.com), or by contacting your local Stanley Fat Max office at the address indicated in this manual.

Please visit our website [www.stanley.eu/3](http://www.stanley.eu/3) to register. Please visit our website [www.stanley.eu/3](http://www.stanley.eu/3) to register your new Stanley Fat Max product and receive updates on new products and special offers.

### Information on Environmental Protection

At Stanley Black & Decker, our commitment to environmental and sustainability excellence throughout our product life cycle remains core to our business. Your product's packaging should be managed correctly (checking the material code) when you decide to dispose of it, so please check with your local community / municipality for waste management guidance.

Materials from our electrical products and components such as batteries contain important raw materials and should also be managed correctly at end-of-life. These can be taken to an official waste collection center or a participating retailer.

Operating and safety instructions should only be disposed when the product to which they relate is no longer in use. Please scan the QR code for more information.

**StanleyBlack&Decker**



(Übersetzung der ursprünglichen Anweisungen)

**DEUTSCH**

### Verwendungszweck

Der STANLEY FATMAX® Abbruchhammer SFMEH220 wurde für leichte oder mittlere Zerspanungs-, Meißel- und Abbrucharwendungen in Beton, Ziegeln und Mauerwerk entwickelt. Dieses Gerät ist zum gewerblichen und privaten Einsatz vorgesehen.

### Sicherheitshinweise

#### Allgemeine Sicherheitswarnungen für das Gerät



**WARNUNG! Beachten Sie alle Sicherheitshinweise,**

**Anweisungen, Darstellungen und Daten, die Sie mit dem Gerät erhalten.** Die

Nichteinhaltung der folgenden Warnungen und Anweisungen kann einen elektrischen Schlag, Brand und/oder schwere Verletzungen verursachen.

#### Bewahren Sie alle Warnhinweise und alle Anweisungen auf.

Der Begriff „Elektrowerkzeug“ in den Warnhinweisen bezieht sich auf Ihr netzbetriebenes Elektrowerkzeug (mit Kabel) oder auf Ihr akkubetriebenes (kabelloses) Elektrowerkzeug.

#### 1. Sicherheit im Arbeitsbereich

- Halten Sie Ihren Arbeitsbereich sauber und gut ausgeleuchtet.** Unaufgeräumte oder dunkle Bereiche begünstigen Unfälle.
- Betreiben Sie das Gerät nicht in Umgebungen, in denen Explosionsgefahr z. B. aufgrund von brennbaren Flüssigkeiten, Gasen oder Staub besteht.** Geräte erzeugen Funken, die den Staub oder die Dämpfe entzünden können.
- Halten Sie Kinder und andere Personen während der Benutzung von Elektrowerkzeugen fern.** Bei Ablenkung können Sie die Kontrolle verlieren.

#### 2. Elektrische Sicherheit

- Der Netzstecker des Geräts muss in die Steckdose passen. Ändern Sie niemals den Stecker in irgendeiner Form. Verwenden Sie keinerlei Adapterstecker an geerdeten Elektrogeräten.**

Unveränderte Stecker und passende Steckdosen mindern die Gefahr eines elektrischen Schlages.

- b. **Vermeiden Sie Körperkontakt mit geerdeten Oberflächen von Rohren, Heizungen, Herden und Kühlschränken.** Es besteht eine erhöhte Gefahr für einen elektrischen Schlag, wenn Ihr Körper geerdet ist.
- c. **Halten Sie Elektrowerkzeuge von Regen und Nässe fern.** Wenn Wasser in das Elektrogerät eindringt, erhöht sich die Gefahr eines elektrischen Schlages.
- d. **Verwenden Sie das Kabel ordnungsgemäß. Verwenden Sie es niemals zum Tragen. Trennen Sie das Gerät nicht durch Ziehen am Kabel vom Netz. Halten Sie das Kabel fern von Hitze, Öl, scharfen Kanten oder beweglichen Teilen.** Beschädigte oder verhedderte Kabel erhöhen die Gefahr eines elektrischen Schlages.
- e. **Verwenden Sie nur für den Außenbereich zugelassene Verlängerungskabel, wenn Sie mit dem Elektrowerkzeug im Freien arbeiten.** Die Verwendung von für den Außeneinsatz geeigneten Kabeln mindert die Gefahr eines elektrischen Schlages.
- f. **Wenn das Elektrowerkzeug in einer feuchten Umgebung verwendet werden muss, schließen Sie es unbedingt an eine Steckdose mit Fehlerstromschutzschalter (FI-Schalter) an.** Der Einsatz eines Fehlerstromschutzschalters mindert die Gefahr eines elektrischen Schlages.

### 3. Sicherheit von Personen

- a. **Seien Sie aufmerksam, achten Sie darauf, was Sie tun, und gehen Sie sachgerecht mit einem Gerät um. Benutzen Sie kein Elektrowerkzeug, wenn Sie müde sind oder unter dem Einfluss von Drogen, Alkohol oder Medikamenten stehen.** Ein Moment der Unachtsamkeit beim Betrieb eines Elektrowerkzeugs kann zu schweren Verletzungen führen.
- b. **Verwenden Sie eine geeignete Schutzausrüstung. Tragen Sie immer einen Augenschutz.** Das Tragen persönlicher Schutzausrüstung, wie Staubmaske, rutschfeste Sicherheitsschuhe, Schutzhelm oder Gehörschutz, je nach Art und Einsatz des Elektrowerkzeugs, verringert das Risiko von Verletzungen.
- c. **Vermeiden Sie eine unbeabsichtigte Inbetriebnahme. Vergewissern Sie sich, dass das Gerät ausgeschaltet ist, bevor Sie es an eine Steckdose oder einen Akku anschließen, es hochheben oder tragen.** Wenn Sie beim Tragen des Geräts den Finger am Schalter haben oder das Gerät eingeschaltet an die Stromversorgung anschließen, kann dies zu Unfällen führen.
- d. **Entfernen Sie Einstell- oder Schraubenschlüssel, bevor Sie das Gerät einschalten.** Werkzeuge oder Schlüssel, die an rotierenden Teilen des Elektrogerätes angebracht sind, können zu Verletzungen führen.

- e. **Beugen Sie sich nicht zu weit nach vorne. Sorgen Sie für einen sicheren Stand und halten Sie jederzeit das Gleichgewicht.** Dadurch können Sie das Gerät in unerwarteten Situationen besser kontrollieren.
- f. **Tragen Sie geeignete Kleidung. Tragen Sie keine weite Kleidung und keinen Schmuck. Halten Sie Ihre Haare und Kleidung von beweglichen Teilen fern.** Lose sitzende Kleidung, Schmuck oder lange Haare können sich in den beweglichen Teilen verfangen.
- g. **Falls Vorrichtungen zum Absaugen oder Auffangen von Staub vorhanden sind, vergewissern Sie sich, dass diese angeschlossen sind und richtig verwendet werden.** Das Verwenden einer Staubauffangvorrichtung verringert Gefährdungen durch Staub.
- h. **Werden Sie nicht durch häufigen Gebrauch von Werkzeugen unvorsichtig und ignorieren Sie niemals die Prinzipien des sicheren Umgangs mit Werkzeugen.** Eine unachtsame Handlung kann innerhalb von Sekundenbruchteilen zu schweren Verletzungen führen.

### 4. Gebrauch und Pflege von Geräten

- a. **Überlasten Sie das Gerät nicht. Verwenden Sie das für Ihre Arbeit passende Gerät.** Das richtige Gerät wird die Aufgabe besser und sicherer erledigen, wenn es bestimmungsgemäß verwendet wird.
- b. **Verwenden Sie das Gerät nicht, wenn der Ein-/Ausschalter nicht funktioniert.** Ein Gerät, das sich nicht mehr ein- oder ausschalten lässt, ist gefährlich und muss repariert werden.

**Trennen Sie den Stecker vom Netz und/oder entfernen Sie die Akkus, falls abnehmbar, vom Elektrogerät, bevor Sie Einstellungen am Gerät vornehmen, Zubehör wechseln oder es aufbewahren.** Diese Vorbeugemaßnahmen mindern die Gefahr, dass das Elektrowerkzeug unbeabsichtigt startet.

- d. **Bewahren Sie unbenutzte Elektrowerkzeuge außerhalb der Reichweite von Kindern auf. Lassen Sie Elektrowerkzeuge nicht von Personen benutzen, die damit nicht vertraut sind oder diese Anweisungen nicht gelesen haben.** Elektrowerkzeuge sind in den Händen nicht geschulter Personen gefährlich.
- e. **Pflegen Sie Elektrowerkzeuge und Zubehör. Kontrollieren Sie, ob bewegliche Teile falsch ausgerichtet sind oder klemmen und ob Teile gebrochen oder so beschädigt sind, dass die Funktion des Geräts beeinträchtigt ist. Bei Beschädigungen lassen Sie das Gerät reparieren, bevor Sie es verwenden.** Viele Unfälle entstehen wegen mangelnder Wartung der Geräte.
- f. **Halten Sie Schneidgeräte scharf und sauber.** Richtig gewartete Schneidwerkzeuge mit scharfen Klingen blockieren seltener und sind leichter unter Kontrolle zu halten.

**g. Verwenden Sie das Elektrowerkzeug, Zubehör, Ersatz-Bits usw. entsprechend diesen Anweisungen und berücksichtigen Sie dabei die Arbeitsbedingungen und die auszuführende Arbeit.**

Der Gebrauch von Elektrowerkzeugen für andere als die vorgesehenen Zwecke kann zu gefährlichen Situationen führen.

**h. Halten Sie Griffe und Griffflächen trocken, sauber und frei von Öl und Fett.**

**free from oil and grease.** Rutschige Griffe und Oberflächen unterbinden die sichere Bedienbarkeit und Kontrolle über das Werkzeug in unerwarteten Situationen.

**5. Service**

**a. Lassen Sie Ihr Elektrowerkzeug nur von qualifiziertem Fachpersonal und nur mit Original-Ersatzteilen reparieren.** Damit wird sichergestellt, dass die Sicherheit des Geräts erhalten bleibt.

**Sicherheitshinweise für Bohrhämmer**

**Sicherheitsvorschriften für alle Betriebsarten**

- ◆ **Tragen Sie einen Gehörschutz.** Lärm kann Gehörschäden verursachen.
- ◆ **Verwenden Sie die mitgelieferten Zusatzgriffe.** Der Verlust der Kontrolle kann Verletzungen verursachen.
- ◆ **Halten Sie das Elektrowerkzeug an den isolierten Griffflächen, wenn Sie Arbeiten ausführen, bei denen das Schneidwerkzeug verborgene Stromleitungen oder das eigene Netzkabel treffen kann.** Der Kontakt mit stromführenden Leitungen kann auch offen liegende Metallteile am Gerät unter Strom setzen und zu einem Stromschlag führen.

**Zusätzliche Sicherheitshinweise für Schlagbohrer**

- ◆ **Sichern Sie das Werkstück zum Beispiel mit Einspannvorrichtungen auf einer stabilen Plattform.** Das Werkstück ist instabil, wenn es mit der Hand oder dem Körper abgestützt wird, was zum Verlust der Kontrolle führen kann.
- ◆ **Tragen Sie eine Schutzbrille oder anderen Augenschutz. Beim Hammerbetrieb werden Späne in die Luft befördert.** Fliegende Partikel können zu Augenverletzungen führen. Tragen Sie bei stauberzeugenden Arbeiten eine Staubmaske oder eine Atemschutzmaske. Für die meisten Anwendungen ist ein Gehörschutz erforderlich.
- ◆ **Halten Sie das Werkzeug immer gut fest. Halten Sie das Gerät beim Betrieb immer mit beiden Händen fest. Es wird empfohlen, immer mit angebrachtem Zusatzhandgriff zu arbeiten.** Der Betrieb des Werkzeugs mit einer Hand führt zu Kontrollverlust.

Durchbrechen oder Auftreffen auf harte Materialien wie Bewehrungsstäbe können gefährlich sein. Ziehen Sie den Zusatzhandgriff vor der Verwendung gut fest.

- ◆ **Betreiben Sie dieses Werkzeug nicht über lange Zeiträume.** Durch das Hämmern verursachte Vibrationen können für Ihre Hände und Arme schädlich sein. Tragen Sie Handschuhe als zusätzlichen Dämpfer und legen Sie häufig Pausen ein, um den Schwingungen nicht zu lange Zeit ausgesetzt zu sein.
- ◆ **Führen Sie eine Überholung von Bits nicht selbst durch.** Die Überholung von Meißelbits darf nur durch einen autorisierten Fachmann erfolgen. Unsachgemäß überholte Meißelbits können zu Verletzungen führen.
- ◆ **Tragen Sie bei der Bedienung des Werkzeugs oder beim Austausch von Bits Handschuhe.** Metallteile und Einsätze (Bits) dieses Werkzeugs werden beim Gebrauch äußerst heiß. Kleine Bruchteile des Materials können die Hände verletzen.
- ◆ **Legen Sie das Werkzeug niemals ab, bevor das Bit völlig zum Stillstand gekommen ist. complete stop.** Sich bewegende Bits können Verletzungen verursachen.
- ◆ **Schlagen Sie nicht mit einem Hammer auf feststeckende Bits, um sie zu lösen.** Metallfragmente oder Späne des Werkstoffs können sich dadurch lösen und Verletzungen verursachen. and cause injury.
- ◆ **Leicht abgenutzte Meißel können durch Schleifen nachgeschärft werden.**
- ◆ **Halten Sie das Stromkabel vom drehenden Bit weg. Wickeln Sie das Stromkabel keinesfalls um einen Teil Ihres Körpers.** Ein Stromkabel, das sich um ein drehendes Bit wickelt, kann zu Verletzungen und Verlust der Kontrolle führen.

**Sicherheit anderer Personen**

- ◆ Das Gerät ist nicht für die unbeaufsichtigte Verwendung durch Personen (einschließlich Kindern) mit eingeschränkten physischen, sensorischen oder mentalen Fähigkeiten oder ohne ausreichende Erfahrung oder Kenntnisse verwendet werden, außer wenn diese Personen von einer Person, die für ihre Sicherheit verantwortlich ist, bei der Verwendung des Geräts beaufsichtigt oder mit ihm vertraut gemacht werden. (children) with reduced physical, sensory or mental capabilities, or lack of experience and knowledge, unless they have been given supervision or instruction concerning use of the appliance by a person responsible for their safety.
- ◆ Kinder müssen beaufsichtigt werden, um sicherzustellen, dass sie nicht mit dem Gerät spielen. play with the appliance.

## Restrisiken

Bei der Verwendung des Werkzeugs können zusätzliche Restrisiken entstehen, die eventuell nicht in den beiliegenden Sicherheitswarnhinweise aufgeführt werden.

may not be included in the enclosed safety warnings. Diese Risiken bestehen beispielsweise bei Missbrauch oder längerem Gebrauch.

risks can arise from misuse, prolonged use etc.

Auch bei der Anwendung der einschlägigen Sicherheitsbestimmungen und der Nutzung von Sicherheitseinrichtungen sind gewisse Restrisiken nicht vermeidbar.

and the implementation of safety devices, certain residual risks can not be avoided. Diese sind:

- ◆ Verletzungen, die durch das Berühren von sich drehenden/bewegenden Teilen verursacht werden.
- ◆ Verletzungen, die durch das Austauschen von Teilen, Messern oder Zubehör verursacht werden.
- ◆ Verletzungen, die durch längeren Gebrauch eines Geräts verursacht werden. Legen Sie bei längerem Gebrauch regelmäßige Pausen ein.
- ◆ Beeinträchtigung des Gehörs.
- ◆ Gesundheitsrisiko durch Einatmen des beim Arbeiten anfallenden Staubs (Beispiel: Arbeiten mit Holz, vor allem Eiche, Buche und MDF).  
using your tool (example:- working with wood, especially oak, beech and MDF.)

## Vibrationen und Geräusche

Die in den Abschnitten „Technische Daten“ und „EU-Konformitätserklärung“ angegebenen Werte für die Vibrations- und Geräuschemissionen wurden mit einer Standard-Prüfmethode nach EN62841 ermittelt und können zum Vergleich verschiedener Geräte herangezogen werden.

Außerdem können die Vibrations- und Geräuschemissionen bei Verwendung des Geräts mit Hilfe dieser Werte schon im Voraus eingeschätzt werden.

**WARNUNG!** Die bei Verwendung des Geräts auftretende Vibrations- und Lärmemissionen hängen von der Art des Gerätegebrauchs ab und können dementsprechend von dem angegebenen Wert abweichen. Gegebenenfalls können die Vibrations- und Geräuschpegel über dem angegebenen Wert liegen.

Für die Ermittlung der Vibrationsbelastung müssen die tatsächlichen Einsatzbedingungen und Verwendungen des Geräts während des gesamten Arbeitsgangs berücksichtigt werden, einschließlich der Zeiten, wenn das Gerät nicht verwendet oder im Leerlauf betrieben wird. Diese Werte werden benötigt, um die gemäß 2002/44/EG erforderlichen Sicherheitsmaßnahmen zum Schutz von Personen festlegen zu können.

## Etiketten am Werkzeug

Am Gerät sind die folgenden Piktogramme inkl. Datumscode angebracht:



**WARNUNG!** Zur Reduzierung der Verletzungsgefahr muss der Nutzer die Betriebsanleitung lesen.



Tragen Sie eine Schutzbrille.



Tragen Sie Gehörschutz.

## Elektrische Sicherheit



Dieses Gerät ist schutzisoliert, daher ist keine Erdleitung erforderlich. Überprüfen Sie immer, dass die Stromversorgung der Spannung auf dem Typenschild entspricht.

- ◆ Ist das Netzkabel beschädigt, muss es durch den Hersteller oder eine Stanley FatMax-Vertragswerkstatt ausgetauscht werden, um eine mögliche Gefährdung zu vermeiden.

## Verwenden eines Verlängerungskabels

Verwenden Sie ausschließlich geprüfte Verlängerungskabel, die für die Leistungsaufnahme dieses Geräts ausgelegt sind (siehe "Technische Daten").

Das Verlängerungskabel muss für die Verwendung im Außenbereich geeignet und entsprechend markiert sein. Es kann ein 1,5 mm<sup>2</sup>-H05VV-F-Verlängerungskabel mit einer Länge von bis zu 30 m verwendet werden, ohne dass die Leistung des Geräts beeinträchtigt wird. Prüfen Sie vor der Inbetriebnahme das Netzkabel auf Verschleiß und Beschädigungen. Wechseln Sie beschädigte oder fehlerhafte Verlängerungskabel aus. Wenn Sie eine Kabeltrommel verwenden, wickeln Sie das Kabel vollständig ab.

## Merkmale

Dieses Werkzeug umfasst einige oder alle der folgenden Merkmale.

1. Zusatzhandgriff
2. Schalter
3. Laufabdeckung
4. SDS MAX-Spannfutter
5. Einlass für Schmierölspritzung

## Verwendung

**WARNUNG!** Vergewissern Sie sich vor Ausführung der folgenden Schritte, dass das Gerät ausgeschaltet und vom Stromnetz getrennt ist.

## Ein- und Ausschalten (Abb. A)

- ◆ Um das Werkzeug zu betreiben, drücken Sie den Schalter (2) und drehen Sie ihn in die Position 'ON' position.
- ◆ Um das Werkzeug anzuhalten, drehen Sie ihn in die Position 'OFF' und lassen Sie den Schalter (2) los. switch (2).

## Anbringen des Zusatzhandgriffs (Abb. B)

Der Zusatzhandgriff (1) kann für Rechts- und Linkshänder montiert werden.

LH-users.

**WARNUNG!** Verwenden Sie das Gerät nicht, wenn der Zusatzhandgriff nicht einwandfrei montiert ist. handle properly assembled.

- ◆ Lösen Sie den Zusatzhandgriff.
- ◆ Für Rechtshänder: Schieben Sie die Klemme des Zusatzhandgriffs über die Manschette hinter dem Werkzeughalter, während der Griff links sitzt. collar behind the tool holder, handle at the left. Für Linkshänder:  
LH-users: Schieben Sie die Klemme des Zusatzhandgriffs über die Manschette hinter dem Werkzeughalter, während der Griff rechts sitzt. behind the tool holder, handle at the right.
- ◆ Drehen Sie den Zusatzhandgriff in die gewünschte Position und ziehen Sie ihn fest. tighten the handle.

## Anbringen und Entfernen von SDS Max-Zubehör (Abb. C, D)

Dieses Werkzeug verwendet SDS Max-Zubehör (siehe Abbildung D für einen Querschnitt eines SDS Max-Bit-Schaftes).

figure D for a cross-section of an SDS Max bit shank). Wir empfehlen die ausschließliche Verwendung von professionellem Zubehör.

recommend to use professional accessories only.

- ◆ Säubern und fetten Sie den Bitschaft.
- ◆ Setzen Sie den Bit-Schaft in den Bit-Halter bzw. in die Werkzeugmanschette (4) ein.
- ◆ Schieben Sie das Bit nach unten und drehen Sie es leicht, bis es in die Schlitzte passt. slots.
- ◆ Überprüfen Sie die Werkzeugverriegelung, indem Sie am Werkzeug ziehen. Die Hammerfunktion erfordert, dass sich der Meißel axial mehrere Zentimeter bewegen kann, wenn er im Werkzeughalter arretiert ist. hammering function requires the bit to be able to move axially several centimetres when locked in the tool holder.

- ◆ Um ein Bit zu entfernen, ziehen Sie den Werkzeughalter/ die Verriegelungsmanschette (4) zurück, wie in Abbildung C dargestellt, und ziehen Sie das Bit heraus. (4), as illustrated in figure C, and pull out the bit.

**WARNUNG!** Tragen Sie beim Wechseln von Zubehör stets Handschuhe. Freiliegende Metallteile dieses Werkzeugs und Zubehörteile werden beim Gebrauch äußerst heiß.

## Zerspanen und Meißeln (Abb. E)

- ◆ Setzen Sie den entsprechenden Meißel (nicht mitgeliefert) in der richtigen Position ein.
- ◆ Stellen Sie den Zusatzhandgriff (1) nach Bedarf ein.
- ◆ Schalten Sie das Werkzeug ein und beginnen Sie mit der Arbeit.
- ◆ Schalten Sie das Elektrowerkzeug bei Beendigung der Arbeiten immer aus. Erst dann darf der Netzstecker aus der Steckdose gezogen werden. before unplugging.
- ◆ Beachten Sie stets die Sicherheitshinweise und anwendbaren Vorschriften. regulations.
- ◆ Achten Sie auf die Lage von Leitungen und Kabeln.
- ◆ Üben Sie nur geringen Druck auf das Gerät aus (etwa 5 kg).  
Übermäßiger Kraftaufwand beschleunigt das Meißeln nicht, sondern verringert die Leistung des Werkzeugs und kann seine Lebensdauer verkürzen. decreases tool performance and may shorten tool life.
- ◆ Halten Sie das Gerät stets mit beiden Händen fest und achten Sie auf einen sicheren Stand. secure stance. Vergewissern Sie sich vor Arbeitsbeginn immer, dass der Zusatzhandgriff einwandfrei montiert ist.

## Richtige Handstellung (Abb. F)

**WARNUNG!** Um die Gefahr schwerer Verletzungen zu mindern, beachten Sie IMMER die richtige Haltung der Hände, wie dargestellt.

**WARNUNG!** Um die Gefahr schwerer Verletzungen zu mindern, halten Sie das Gerät IMMER sicher fest und seien Sie auf eine plötzliche Reaktion gefasst.

Bei der korrekten Handposition liegt eine Hand auf dem Zusatzhandgriff (1) und die andere auf dem Haupthandgriff. (1), with the other hand on the main handle.

**WARNUNG!** Verwenden Sie dieses Werkzeug nicht dazu, leicht brennbare oder explosive Flüssigkeiten (Benzin, Alkohol usw.) zu mischen oder zu pumpen.

Mischen bzw. rühren Sie keine entsprechend gekennzeichneten brennbaren Flüssigkeiten.

## Zubehör

Das verwendete Zubehör hat wesentlichen Einfluss auf die Leistung des Geräts.

Zubehörteile von Stanley FatMax erfüllen höchste Qualitätsstandards und wurden speziell für die Verwendung mit Ihrem Gerät entwickelt. Bei Verwendung dieses Zubehörs erhalten Sie stets optimale Ergebnisse.

## Wartung

Ihr Stanley FatMax Gerät/Werkzeug mit Kabel/ohne Kabel wurde für langfristigen Betrieb mit minimalem Wartungsaufwand konstruiert. Ein kontinuierlicher, zufriedenstellender Betrieb hängt von der richtigen Pflege des Gerätes und seiner regelmäßigen Reinigung ab.

**WARNUNG!** Tun Sie vor der Durchführung von Wartungsarbeiten an Elektrowerkzeugen mit/ohne Kabel Folgendes durch:

- ◆ Schalten Sie das Gerät aus und ziehen Sie den Netzstecker.
- ◆ Wenn das Gerät über einen separaten Batteriepack oder Akku verfügt, schalten Sie das Gerät ab, und entnehmen Sie die Batterien aus dem Gerät.
- ◆ Wenn der Akku integriert ist, entladen Sie diesen vor dem Abschalten vollständig.
- ◆ Ziehen Sie das Ladegerät aus der Netzsteckdose, bevor Sie es reinigen. Das Ladegerät benötigt keine Wartung, es sollte jedoch regelmäßig gereinigt werden.
- ◆ Reinigen Sie regelmäßig die Lüftungsschlitze des Geräts und des Ladegeräts mit einer weichen Bürste oder einem trockenen Tuch.
- ◆ Reinigen Sie das Motorgehäuse regelmäßig mit einem feuchten Tuch. Verwenden Sie keine scheuernden Reinigungsmittel oder Reinigungsmittel auf Lösungsmittelbasis.
- ◆ Öffnen Sie regelmäßig das Spannfutter, und entfernen Sie durch Klopfen ggf. Staub aus dem Inneren des Geräts.

## Austausch des Netzsteckers (nur GB und Irland)

Wenn ein neuer Netzstecker angebracht werden muss:

- ◆ Entsorgen Sie den alten Stecker auf sachgerechte Weise.
- ◆ Verbinden Sie die braune Leitung mit dem spannungsführenden Anschluss des Steckers.
- ◆ Verbinden Sie die blaue Leitung mit dem neutralen Anschluss.

**WARNUNG!** Stellen Sie keine Verbindung mit dem Erdungsanschluss her. Befolgen Sie die Montageanweisungen, die mit hochwertigen Steckern mitgeliefert werden. Empfohlene Sicherung: 10 A.

## Umweltschutz



Getrennte Entsorgung. Produkte und Akkus mit diesem Symbol dürfen nicht mit dem normalen Hausmüll entsorgt werden.

Produkte und Akkus enthalten Materialien, die wiederverwertet werden können, um den Bedarf an Rohstoffen zu verringern. Bitte recyceln Sie Elektroprodukte und Akkus gemäß den lokalen Bestimmungen. Weitere Informationen finden Sie auf [www.2helpU.com](http://www.2helpU.com)

## Technische Daten

		SFMEH220 (Typ 01)
Spannung	V	230
Frequenz	Hz	50
Leistungsaufnahme	W	1010
Schlagzahl	Schläge pro Minute	2900
Schlagenergie (EPTA / Max)	J	8,5
Spannfuttertyp		SDS Max
Gewicht	kg	6,3

Schalldruckpegel gemäß EN62841:		
Schalldruck ( $L_{pA}$ )	dB(A)	95
Schalldruck-Unsicherheitsfaktor ( $K_{pA}$ )	dB(A)	3
Schalleistung ( $L_{WA}$ )	dB(A)	103
Schalleistung-Unsicherheitsfaktor ( $K_{WA}$ )	dB(A)	1,8
Vibrationsemissionswert ah (Meißein):		
$(a_{h,Chen})$	m/s <sup>2</sup>	14,3
Unsicherheitsfaktor (K)	m/s <sup>2</sup>	1,5

## EG-Konformitätserklärung

MASCHINENRICHTLINIE



SFMEH220 Abbruchhammer

Stanley FatMax erklärt, dass diese unter „Technische Daten“ beschriebenen Geräte übereinstimmen mit: 2006/42/EG.

EN62841-1:2015+A11:2022, EN IEC62841-2-6:2020 +A11:2020. Diese Produkte entsprechen außerdem den Richtlinien 2014/30/EU und 2011/65/EU.

2000/14/EC, Elektrobetonabbruchhammer (handgeführt), m ≤ 15 kg, Anlage VI, DEKRA Testing and Certification GmbH, Handwerkstraße 15, 70565 Stuttgart.

Standort der Zertifizierungsstelle: Dinnendahlstr. 9, 44809 Bochum, Deutschland Nummer der benannten Stelle: 0158 LWA (gemessene Schalleistung) 103 dB(A),

Unsicherheitsfaktor (K) = 1,8 dB (A), LWA (garantierte Schalleistung) 105 dB(A). Weitere Informationen erhalten Sie von Stanley Fat Max unter der folgenden Adresse. Diese befindet sich auch auf der Rückseite dieser Anleitung.



Der Unterzeichnete ist verantwortlich für die Zusammenstellung der technischen Daten und gibt diese Erklärung im Namen von Stanley Fat Max ab.

*Patrick Diepenbach*

Patrick Diepenbach  
General Manager, Benelux  
Stanley Fat Max, Egide Walschaertsstraat 14-18 2800  
Mechelen, Belgien  
12.30.2022

**StanleyBlack&Decker**



(Traduction des instructions initiales)

FRANÇAIS

## Garantie

Stanley FatMax vertraut auf die Qualität der eigenen Geräte und bietet dem Käufer eine außergewöhnliche Garantie von 12 Monaten ab Kaufdatum. Diese Garantie versteht sich unbeschadet der gesetzlichen Gewährleistungsansprüche und schränkt diese keinesfalls ein. Diese Garantie gilt innerhalb der Staatsgebiete der Mitgliedstaaten der Europäischen Union, der Europäischen Freihandelszone und des Vereinigten Königreichs.

Zur Inanspruchnahme dieser Garantie muss sie den allgemeinen Geschäftsbedingungen von Stanley Fatmax entsprechen und dem Verkäufer bzw. der Vertragswerkstatt ist ein Kaufnachweis vorzulegen. Die Bedingungen für die 1-jährige Garantie von Stanley Fatmax und den Standort Ihrer nächstgelegenen Vertragswerkstatt finden Sie im Internet unter [www.2helpU.com](http://www.2helpU.com) oder indem Sie sich an die lokale Stanley Fatmax-Niederlassung wenden, deren Adresse Sie in dieser Anleitung finden.

Bitte besuchen Sie unsere Website [www.stanley.eu/3](http://www.stanley.eu/3), um Ihr neues Stanley FatMax-Produkt zu registrieren. Dort erhalten Sie auch Informationen über neue Produkte und Sonderangebote.

your new Stanley Fat Max product and receive updates on new products and special offers.

## Informationen zum Umweltschutz

Bei Stanley Black & Decker steht unser Engagement für Umwelt und Nachhaltigkeit während des gesamten Produktlebenszyklus im Mittelpunkt unseres Handelns. Die Verpackung Ihres Produkts sollte auf korrekte Weise entsorgt werden (beachten Sie dazu den Materialcode). Informieren Sie sich daher bitte bei Ihrer Gemeinde / Stadtverwaltung über die Vorschriften zur Abfallentsorgung. Unsere elektrischen Produkte und Komponenten wie beispielsweise Akkus können wichtige Rohstoffe enthalten und sollten am Ende ihrer Nutzungsdauer ebenfalls auf korrekte Weise entsorgt werden. Bringen Sie solche Abfälle zu einer offiziellen Entsorgungsstelle oder zu einem Händler, der sie entgegennimmt. Betriebs- und Sicherheitshinweise sollten erst entsorgt werden, wenn das entsprechende Produkt endgültig nicht mehr verwendet wird. Bitte scannen Sie den QR-Code, um weitere Informationen zu erhalten.

**Utilisation prévue** Le marteau de démolition STANLEY® FATMAX® SFMEH220 a été conçu pour les petits et moyens travaux de burinage, de ciselage et de démolition dans le béton, la brique ou les matériaux de maçonnerie. Cet outil a été conçu pour les professionnels et les particuliers.

## Consignes de sécurité

### Avertissements de sécurité générale propres aux outils électriques



**AVERTISSEMENT !** Veuillez à lire tous les avertissements sur la sécurité, toutes les instructions, toutes les illustrations et toutes les spécifications fournies avec cet outil électrique. Le non-respect des avertissements et des instructions listés ci-dessous peut entraîner des décharges électriques, des incendies et/ou de graves blessures.

**Conservez tous les avertissements et toutes les instructions afin de pouvoir vous y référer dans le futur.** Le terme "outil électrique" mentionné dans tous les avertissements listés ci-dessous fait référence à vos outils électriques branchés sur secteur (avec câble) ou fonctionnant sur pile ou batterie (sans fil).

1. **Sécurité de la zone de travail**
  - a. **Maintenez la zone de travail propre et bien éclairée.**  
Les zones sombres ou encombrées sont propices aux accidents.
  - b. **N'utilisez pas d'outils électriques dans un environnement présentant des risques d'explosion ou en présence de liquides, gaz ou poussières inflammables.** Les outils électriques créent des étincelles qui peuvent enflammer les poussières et les fumées.
  - c. **Maintenez les enfants et les autres personnes à l'écart quand vous utilisez un outil électrique.** Toute distraction peut vous faire perdre le contrôle de l'outil.
2. **Sécurité électrique**
  - a. **Les prises des outils électriques doivent correspondre à la prise de courant murale.**

**Ne modifiez jamais la prise d'aucune sorte.**

**N'utilisez aucun adaptateur avec des outils électriques reliés à la terre.** L'utilisation de prises d'origine et de prises murales appropriées permet de réduire le risque de décharge électrique.

- b. **Évitez tout contact physique avec des surfaces reliées à la terre comme des tuyaux, des radiateurs, des fours et des réfrigérateurs par exemple.** Il y a sinon un risque accru de décharge électrique si votre corps est lui-même relié à la terre.
- c. **N'exposez pas les outils électriques à la pluie, ni à l'humidité.** Le risque de décharge électrique augmente si de l'eau pénètre dans un outil électrique.
- d. **Ne tirez pas sur le cordon d'alimentation. N'utilisez jamais le cordon pour transporter, tirer ou débrancher l'outil électrique. Maintenez le cordon à l'écart de la chaleur, des substances grasses, des bords tranchants ou des pièces mobiles.** Les cordons endommagés ou emmêlés augmentent les risques de décharges électriques.
- e. **Si vous utilisez un outil électrique à l'extérieur, utilisez une rallonge homologuée pour les travaux extérieurs.** L'utilisation d'une rallonge électrique homologuée pour les travaux en extérieur réduit le risque de décharge électrique.
- f. **Si l'utilisation d'un outil électrique dans un endroit humide est inévitable, utilisez une alimentation électrique protégée par un disjoncteur différentiel à courant résiduel (DDR).** L'utilisation d'un DDR réduit le risque de décharge électrique.

### 3. Sécurité des personnes

- a. **Restez vigilant, surveillez ce que vous faites et faites preuve de bon sens lorsque vous utilisez un outil électrique.**  
**N'utilisez pas d'outils électriques si vous êtes fatigué ou sous l'influence de drogue, d'alcool ou de médicaments.** Tout moment d'inattention pendant l'utilisation d'un outil électrique peut engendrer de graves blessures.
- b. **Portez des équipements de protection individuelle. Portez toujours une protection oculaire.** Les équipements de protection comme les masques à poussière, les chaussures de sécurité antidérapantes, les casques ou les protections auditives réduisent le risque de blessures s'ils sont utilisés à bon escient.
- c. **Empêchez tout démarrage intempestif. Assurez-vous que l'interrupteur est sur la position Arrêt avant de raccorder l'outil à l'alimentation électrique et/ou au bloc-batterie ou avant de ramasser ou de transporter l'outil.**

Le fait de transporter les outils électriques le doigt sur l'interrupteur ou d'alimenter les outils électriques dont l'interrupteur est déjà en position de marche augmente le risque d'accidents.

- d. **Retirez toutes les clés ou pinces de réglage avant de mettre l'outil en marche.** Une clé ou une pince restée fixée sur une pièce rotative de l'outil électrique peut engendrer des blessures.
  - e. **Ne vous penchez pas. Gardez les pieds bien ancrés au sol et conservez votre équilibre en permanence.** Cela permet de mieux maîtriser l'outil électrique en cas de situations imprévues.
  - f. **Portez des vêtements appropriés. Ne portez aucuns vêtements amples, ni bijoux. Gardez vos cheveux et vos vêtements à l'écart des pièces mobiles.** Les vêtements amples, les bijoux ou les cheveux longs peuvent être happés par les pièces mobiles.
  - g. **Si vous disposez de dispositifs pour le raccordement d'un extracteur de poussière ou d'installations pour la récupération, assurez-vous qu'ils sont correctement raccordés et utilisés.** L'utilisation de dispositifs récupérateurs de poussières réduit les risques liés aux poussières.
  - h. **Ne pensez pas être familiarisé avec l'outil après l'avoir utilisé à de nombreuses reprises, au point de ne plus rester vigilant et d'en oublier les consignes de sécurité.** Toute action imprudente peut engendrer de graves blessures en une fraction de seconde.
- ### 4. Utiliser et entretenir un outil électrique
- a. **Respectez la capacité de l'outil. Utilisez l'outil approprié, adapté pour le travail à réaliser.**  
Un outil adapté fonctionne mieux, de façon plus sûre et à la cadence pour laquelle il a été conçu.
  - b. **N'utilisez pas l'outil électrique si son interrupteur ne permet pas de l'allumer ou de l'éteindre.** Tout outil électrique qui ne peut plus être commandé par son interrupteur est dangereux et il doit être réparé.
  - c. **Débranchez la prise de l'alimentation électrique et/ou retirez le bloc-batterie de l'outil s'il est amovible, avant d'effectuer tout réglage, de changer un accessoire ou de ranger l'outil électrique.** Ces mesures de sécurité préventives réduisent le risque de démarrage accidentel de l'outil électrique.
  - d. **Rangez les outils électriques non utilisés hors de portée des enfants et ne laissez aucune personne ne connaissant pas ces outils ou leurs instructions d'utilisation les faire fonctionner.** Les outils électriques peuvent être dangereux entre des mains inexpérimentées.
  - e. **Entretenez vos outils électriques et leurs accessoires. Vérifiez que les pièces mobiles sont alignées correctement et qu'elles ne sont pas coincées.**



**Vérifiez qu'aucune pièce n'est cassée et contrôlez l'absence de toute autre condition qui pourrait nuire au bon fonctionnement de l'outil. En cas de dommage, faites réparer l'outil électrique avant de le réutiliser.**

De nombreux accidents sont provoqués par des outils électriques mal entretenus.

**f. Maintenez les organes de coupe affûtés et propres.**

Des organes de coupe bien entretenus et dont le tranchant est affûté sont moins susceptibles de rester coincés et ils sont plus faciles à contrôler.

**g. Utilisez l'outil électrique, les accessoires et les embouts d'outils conformément à ces instructions, en tenant compte des conditions de travail et de la tâche à effectuer.**

L'utilisation d'un outil électrique à des fins autres que celles pour lesquelles il a été prévu engendre des situations dangereuses.

**h. Veillez à ce que les poignées et les surfaces de préhension soient sèches, propres et sans trace d'huile ou de graisse.**

Des poignées et des surfaces de préhension glissantes ne permettent pas de manipuler et de maîtriser l'outil correctement en cas de situations inattendues.

**5. Révision/Réparation**

**a. Ne faites réviser/réparer votre outil électrique que par un réparateur qualifié qui n'utilise que des pièces de rechange d'origine.** Cela permet de garantir la sûreté de l'outil électrique.

**Avertissements de sécurité propres aux marteaux**

**Consignes de sécurité pour toutes les opérations**

- ◆ **Portez des protections auditives.** L'exposition au bruit peut provoquer la perte de l'ouïe.
- ◆ **Utilisez la/les poignée(s) auxiliaire(s), fournie(s) avec l'outil.** La perte de contrôle peut provoquer des blessures.
- ◆ **Tenez l'outil électrique par ses surfaces de préhension isolées lorsque vous réalisez une opération au cours de laquelle l'accessoire de coupe pourrait entrer en contact avec des fils électriques cachés ou son propre cordon.** Tout contact de l'organe de coupe avec un fil sous tension peut mettre les parties métalliques exposées de l'outil sous tension et provoquer une décharge électrique à l'utilisateur.

**Consignes de sécurité supplémentaires propres aux marteaux**

- ◆ **Utilisez des pinces ou tout autre moyen pratique pour fixer et soutenir l'ouvrage sur une plateforme stable.** Tenir l'ouvrage à la main ou contre votre corps le rend instable et peut conduire à une perte de contrôle.
- ◆ **Portez des lunettes de protection ou une autre protection oculaire.**

**Les opérations de martelage peuvent occasionner la projection d'éclats.** Les particules projetées peuvent occasionner des lésions oculaires permanentes. Veillez à porter un masque anti-poussière ou un appareil respiratoire si les opérations génèrent de la poussière. Une protection auditive peut être nécessaire pour la plupart des applications.

◆ **Veillez à toujours tenir l'outil fermement. Ne tentez pas d'utiliser cet outil d'une seule main. Il est recommandé de toujours utiliser la poignée latérale.** L'utilisation de cet outil à une seule main entraîne une perte de contrôle. La démolition ou le contact avec des matériaux durs comme des barres d'armature peuvent également être dangereux. Serrez solidement la poignée latérale avant l'utilisation.

◆ **N'utilisez pas cet outil de façon prolongée.** Les vibrations provoquées par le martelage peuvent être néfastes pour vos mains et vos bras. Portez des gants pour amortir et limitez l'exposition en faisant régulièrement des pauses.

◆ **Ne reconditionnez pas les burins vous-même.** Le reconditionnement d'un burin doit être exécuté par un spécialiste agréé. Les burins mal reconditionnés peuvent provoquer des blessures.

◆ **Portez des gants pour utiliser l'outil ou pour changer les mèches.** Les parties métalliques accessibles de l'outil et les mèches peuvent devenir extrêmement chaudes pendant l'utilisation. Les petits morceaux de matériau cassé peuvent blesser les mains.

◆ **Ne posez jamais l'outil avant que la mèche ne soit complètement arrêtée.** Les mèches encore en mouvement peuvent occasionner des blessures.

◆ **Ne tapez jamais sur les mèches avec un marteau pour les déloger.** Des fragments de métal ou des copeaux de matière pourraient se détacher et occasionner des blessures.

◆ **Les burins légèrement usés peuvent être réaffûtés en les meulant.**

◆ **Veillez à ce que le cordon électrique reste loin de la mèche en rotation. N'enroulez le cordon autour d'aucune partie de votre corps.** Des blessures et la perte de contrôle de l'outil sont possibles si le cordon d'enroule autour de la mèche en rotation.

**Sécurité des personnes**

- ◆ Cet outil n'est pas destiné à être utilisé par des personnes (y compris des enfants) aux capacités physiques, sensorielles ou intellectuelles réduites ou sans expérience ni connaissances, à moins qu'elles ne soient supervisées ou qu'elles n'aient été formées sur la façon d'utiliser l'appareil, par une personne responsable de leur sécurité.
- ◆ Les enfants doivent être surveillés afin de garantir qu'ils ne jouent pas avec l'appareil.

## Risques résiduels

Lors de l'utilisation de l'appareil, certains risques résiduels peuvent survenir, autres que ceux mentionnés dans les avertissements sur la sécurité. Ces risques peuvent être provoqués par une utilisation incorrecte, prolongée, etc. Malgré l'application des normes de sécurité pertinentes et la mise en œuvre de dispositifs de sécurité, certains risques résiduels

ne peuvent pas être évités. Ils comprennent :

- ◆ Les blessures dues au contact avec des pièces rotatives/mobiles.
- ◆ Les blessures dues au remplacement de pièces, de lames ou d'accessoires.
- ◆ Les blessures dues à l'utilisation prolongée d'un outil. Si vous utilisez un outil quel qu'il soit pendant de longues périodes, assurez-vous de faire des pauses régulières.
- ◆ Les troubles de l'ouïe.
- ◆ Les risques pour la santé dus à l'inhalation de la poussière émise quand l'outil est utilisé (exemple : travail du bois, surtout le chêne, le hêtre et les panneaux en MDF).

## Vibrations et bruit

Les valeurs pour les vibrations et le bruit émis, déclarées dans les caractéristiques techniques et le certificat de conformité a été mesurée conformément à la méthode de test normalisée établie par la norme EN62841 et elle peut être utilisée pour comparer un outil à un autre.

Les valeurs pour les vibrations et le bruit émis déclarées peuvent aussi être utilisées pour une évaluation préliminaire à l'exposition.

**AVERTISSEMENT !** En fonction de la manière dont l'outil est utilisé, la valeur réelle des vibrations et du bruit émis pendant son utilisation peut différer de la valeur déclarée. Le niveau des vibrations et du bruit peut dépasser le niveau déclaré. Quand l'exposition aux vibrations est évaluée afin de déterminer les mesures de sécurité requises par la norme 2002/44/CE pour protéger les personnes utilisant régulièrement des outils électriques, l'estimation de l'exposition aux vibrations doit tenir compte des conditions réelles d'utilisation et de la façon dont l'outil est utilisé. Il faut également tenir compte de toutes les composantes du cycle de fonctionnement comme les durées pendant lesquelles l'outil est arrêté et quand il fonctionne au ralenti, ainsi que la durée du déclenchement.

## Étiquettes apposées sur l'outil

Les pictogrammes qui suivent figurent sur l'outil avec le code date :



**AVERTISSEMENT !** Afin de réduire le risque de blessures, l'utilisateur doit lire la notice d'utilisation.



Portez des lunettes de protection.



Portez une protection auditive.

## Sécurité électrique



Cet outil est doublement isolé et il ne nécessite donc aucune liaison à la terre. Assurez-vous toujours que l'alimentation électrique correspond à la tension mentionnée sur la plaque signalétique.

- ◆ Si le câble d'alimentation est endommagé, il doit être remplacé par le fabricant ou un centre d'assistance agréé Stanley Fat Max afin d'éviter les risques éventuels.

## Utiliser une rallonge

N'utilisez qu'une rallonge homologuée parfaitement adaptée à la puissance absorbée de cet appareil (voir les caractéristiques techniques). La rallonge doit être homologuée pour une utilisation en extérieur et marquée en conséquence. Une rallonge H05VV-F de 1,5 mm<sup>2</sup> allant jusqu'à 30 m peut être utilisée sans perte de performance. Avant l'utilisation, vérifiez la rallonge et assurez-vous qu'elle ne présente aucun signe de dommage, d'usure ou de vieillissement. Remplacez la rallonge si elle est endommagée ou défectueuse. Si vous utilisez un enrouleur de câble, déroulez toujours le câble complètement.

## Caractéristiques

Cet outil dispose de tout ou partie des éléments suivants.

1. Poignée latérale
2. Interrupteur
3. Carter du piston
4. Mandrin SDS MAX
5. Ouverture pour l'injection d'huile de lubrification

## Utilisation

**AVERTISSEMENT !** Avant d'exécuter l'une des opérations ci-dessous, assurez-vous que l'outil est éteint et débranché.

## Mise en marche et extinction (Fig. A)

- ◆ Pour mettre l'outil en marche, enfoncez l'interrupteur (2) et tournez-le sur la position "MARCHE".
- ◆ Pour éteindre l'outil, passez sur la position "ARRÊT" et relâchez l'interrupteur (2).

## Installer la poignée latérale (Fig. B)

La poignée latérale (1) peut être installée pour convenir à la fois aux droitiers et aux gauchers.

**AVERTISSEMENT !** N'utilisez jamais l'outil sans que la poignée latérale ne soit correctement installée.

- ◆ Desserrez la poignée latérale.
- ◆ Pour les droitiers : Glissez la fixation de la poignée latérale par-dessus la collerette derrière le porte-outil, poignée vers la gauche.  
Pour les gauchers : Glissez la fixation de la poignée latérale par-dessus la collerette, derrière le porte-outil, poignée vers la droite.
- ◆ Tournez la poignée latérale dans la position voulue et resserrez-la.

## Insérer et retirer des accessoires SDS Max (Fig. C, D)

Cet outil accueille des accessoires SDS Max (consultez la figure D pour voir la coupe transversale d'une tige de tête SDS Max). Nous recommandons de n'utiliser que des accessoires professionnels.

- ◆ Nettoyez et graissez la tige de la mèche.
- ◆ Insérez la tige de la mèche dans le porte-mèche/douille de l'outil (4).
- ◆ Poussez la mèche vers le bas et tournez-la légèrement jusqu'à ce qu'elle entre dans les fentes.
- ◆ Tirez sur la mèche pour vérifier qu'elle est correctement verrouillée. La fonction Martelage nécessite que la mèche puisse se déplacer de plusieurs centimètres sur son axe lorsqu'elle verrouillée dans le porte-outil.
- ◆ Pour retirer la mèche, tirez le porte-outil/douille de verrouillage (4) vers l'arrière, comme illustré par la figure C et tirez sur la mèche pour la sortir.

**AVERTISSEMENT !** Veillez à toujours porter des gants pour remplacer un accessoire. Les parties métalliques exposées de l'outil et les accessoires peuvent devenir extrêmement chauds pendant l'utilisation.

## Buriner et ciseler (Fig. E)

- ◆ Insérez le bon mandrin (non fourni) dans la bonne position.
- ◆ Réglez la poignée latérale (1) au besoin.
- ◆ Mettez l'outil en marche et commencez à travailler.

- ◆ Pensez à toujours éteindre l'outil une fois le travail terminé et avant de la débrancher.
- ◆ Veillez à toujours respecter les consignes de sécurité et la réglementation en vigueur.
- ◆ Gardez à l'esprit l'emplacement des éventuels canalisations et fils électriques.
- ◆ N'appuyez pas trop sur l'outil (environ 5 kg).  
Le fait de trop appuyer n'accélère pas le travail mais cela diminue les performances de l'outil tout en raccourcissant sa durée de vie.
- ◆ Veillez à toujours tenir l'outil à deux mains et à garder une posture stable. N'utilisez l'outil que si la poignée latérale est correctement installée.

## Position correcte des mains (Fig. F)

**AVERTISSEMENT !** Afin de réduire tout risque de graves blessures, respectez TOUJOURS la position des mains recommandée et illustrée.

**AVERTISSEMENT !** Afin de réduire tout risque de blessures graves, tenez TOUJOURS l'outil fermement pour anticiper toute réaction soudaine de sa part.

La position correcte des mains nécessite d'avoir une main sur la poignée latérale

(1) et l'autre main sur la poignée principale.

**AVERTISSEMENT !** N'utilisez pas cet outil pour mélanger ou pomper plus facilement des liquides combustibles ou explosifs (essence, alcool, etc.).

Ne mélangez et ne brassez pas de liquides inflammables étiquetés comme tels.

## Accessoires

Les performances de votre outil dépendent de l'accessoire utilisé. Les accessoires Stanley Fat Max répondent à des normes de qualité supérieures et ils sont conçus pour augmenter le niveau de performance de votre outil. L'utilisation de ces accessoires vous permet de tirer pleinement profit de votre outil.

## Maintenance

Votre appareil/outil sans fil/avec fil Stanley Fat Max a été conçu pour fonctionner longtemps avec un minimum d'entretien. Le fonctionnement continu et satisfaisant dépend de son bon entretien et de son nettoyage régulier.

**AVERTISSEMENT !** Avant toute opération de maintenance sur des outils électriques avec ou sans fil :

- ◆ Éteignez l'appareil/outil, puis débranchez-le.
- ◆ Ou, éteignez l'appareil/outil et retirez la batterie de l'appareil/outil si celui-ci est muni d'un bloc-batterie amovible.
- ◆ Ou déchargez complètement la batterie si elle est intégrée, puis éteignez l'appareil.

- ◆ Débranchez le chargeur de le nettoyer. Votre chargeur ne nécessite aucun entretien particulier, à l'exception d'un nettoyage régulier.
- ◆ Nettoyez régulièrement les orifices d'aération de votre appareil/outil/chargeur à l'aide d'une brosse souple ou d'un chiffon sec.
- ◆ Nettoyez régulièrement le bloc-moteur à l'aide d'un chiffon humide. N'utilisez pas de détergents abrasifs ou à base de solvants.
- ◆ Ouvrez régulièrement le mandrin et retirez la poussière à l'intérieur en le tapotant (si installé).

Niveau de pression sonore selon la norme EN62841 :		
Pression sonore ( $L_{PK}$ )	dB(A)	95
Incertitude pression sonore ( $K_{PK}$ )	dB(A)	3
Puissance sonore ( $L_{WA}$ )	dB(A)	103
Incertitude puissance sonore ( $K_{WA}$ )	dB(A)	1,8
Valeur des vibrations émises ah (ciselage) :		
( $a_{h,Choc}$ )	m/s <sup>2</sup>	14,3
Incertitude (K)	m/s <sup>2</sup>	1,5

### Remplacer la prise de courant (RU et Irlande uniquement)

Si une nouvelle prise électrique doit être installée :

- ◆ Jetez l'ancienne prise de façon appropriée.
- ◆ Raccordez le fil marron à la phase de la nouvelle prise.
- ◆ Raccordez le fil bleu au neutre.

**AVERTISSEMENT !** Aucun branchement ne doit être fait à la borne de terre. Respectez les instructions d'installation fournies avec les prises de bonne qualité. Fusible recommandé : 10 A.

### Protection de l'environnement



Tri sélectif. Les produits et piles/batteries marqués de ce symbole ne doivent pas être jetés avec les déchets ménagers.

Les produits et les piles/batteries contiennent des matières qui peuvent être récupérées et recyclées afin de réduire la demande en matières premières.

Veillez à recycler les produits électriques et les piles/batteries conformément aux prescriptions locales en vigueur. Plus d'informations sont disponibles sur le site [www.2helpU.com](http://www.2helpU.com)

### Caractéristiques techniques

SFMEH220 (Type 01)		
Tension	V	230
Fréquence	Hz	50
Puissance absorbée	A	1010
Cadence de frappe	bpm	2900
Force de frappe (EPTA / Max)	J	8,5
Type de mandrin		SDS Max
Poids	kg	6,3

### Déclaration de conformité CE

DIRECTIVES MACHINES



SFMEH220 Marteau piqueur

Stanley Fat Max déclare que les produits décrits dans les "Caractéristiques techniques" sont en conformité avec : 2006/42/CE.

EN62841-1:2015+A11:2022, EN IEC62841-2-6:2020 +A11:2020. Ces produits sont également conformes aux Directives 2014/30/UE et 2011/65/UE.

2000/14/CE, Brise béton électrique (à main),  $m \leq 15$  kg, Annexe VI, DEKRA Testing and Certification GmbH, Handwerkstraße 15, 70565 Stuttgart.

Adresse organisme de certification Dinnendahlstr. 9, 44809 Bochum, Allemagne Numéro d'identification de l'organisme : 0158 LWA (niveau puissance sonore mesuré) 103 dB(A), incertitude (K) = 1,8 dB (A), LWA (puissance sonore garantie) 105 dB(A). Pour obtenir plus de précisions, veuillez contacter Stanley Fat Max à l'adresse qui suit ou consulter le dos de la notice. Le soussigné est responsable de la compilation du dossier technique et il fait cette déclaration au nom de Stanley Fat Max.

*Patrick Diepenbach*

Patrick Diepenbach  
 Directeur général,  
 Benelux Stanley Fat Max,  
 Egide Walschaertsstraat  
 14-18 2800 Mechelen, Belgique  
 12.30.2022

### Garantie

Stanley Fat Max est sûr de la qualité de ses produits et offre une garantie de 12 mois à ses clients, à partir de la date d'achat.

Cette garantie s'ajoute à vos droits légaux auxquels elle ne porte aucunement préjudice.

Cette garantie est valable au sein des territoires des états membres de l'Union européenne, de la zone européenne de libre-échange et du Royaume-Uni.

Pour prétendre à la garantie, la réclamation doit être en conformité avec les conditions générales de Stanley Fat Max et vous devez fournir une preuve d'achat au vendeur ou au réparateur agréé.

Les conditions générales de la garantie Stanley Fat Max de 1 an ainsi que l'adresse du réparateur agréé le plus proche sont disponibles sur le site Internet [www.2helpU.com](http://www.2helpU.com) ou en contactant votre agence Stanley Fat Max locale à l'adresse indiquée dans la présente notice.

Visitez notre site Internet [www.stanley.eu/3](http://www.stanley.eu/3) pour enregistrer votre nouveau produit Stanley Fat Max et être informé des nouveaux produits et des offres spéciales.

### Informations pour la protection de l'environnement

Chez Stanley Black & Decker, notre engagement pour l'excellence en matière d'environnement et de durabilité tout au long du cycle de vie de nos produits reste au cœur de notre activité. L'emballage de votre produit doit être géré correctement (en fonction du code matière) au moment où vous décidez de le jeter, nous vous demandons donc de bien vouloir consulter vos collectivités locales ou votre municipalité pour obtenir des conseils sur la gestion des déchets. Nos produits électriques et nos composants, comme les batteries, contiennent de précieuses matières premières qui doivent également être gérées correctement à la fin de leur durée de vie. Il est possible de les rapporter dans des centres de collecte de déchets officiels ou à certains revendeurs. Les notices et les consignes de sécurité ne doivent être jetées que lorsque le produit qu'elles concernent n'est plus en service. Scannez le code QR pour obtenir plus d'informations.

**StanleyBlack&Decker**



FR

Cet appareil et ses accessoires sont recyclables

À DÉPOSER EN MAGASIN



À DÉPOSER EN DÉCHÈTERIE



OU

Points de collecte sur [www.quefairedemesdechets.fr](http://www.quefairedemesdechets.fr)  
Privilégiez la réparation ou le don de votre appareil !



FR

ÉLÉMENTS D'EMBALLAGE + NOTICE



**Usò previsto** Il Martello demolitore STANLEY FATMAX® SFMEH220 è stato progettato per applicazioni di frantumazione, scalpellatura e demolizione medio-leggera di calcestruzzo, laterizi e muratura. Questo elettrotensile è destinato all'uso professionale e privato da parte di utilizzatori non professionisti.

### Istruzioni di sicurezza

#### Avvertenze di sicurezza generali riguardanti gli elettrotensili



**AVVERTENZA! Leggere tutte le avvertenze di sicurezza, le istruzioni, le illustrazioni e le specifiche fornite con l'elettrotensile.**

La mancata osservanza delle avvertenze e istruzioni seguenti può dar luogo a scossa elettrica, incendio e/o lesioni gravi.

**Conservare tutte le avvertenze e le istruzioni per riferimenti futuri.** Il termine "elettrotensile" utilizzato in tutte le avvertenze elencate di seguito fa riferimento sia agli utensili alimentati tramite una rete elettrica (con cavo) che agli utensili elettrici a batteria (senza cavo).

1. **Sicurezza dell'area di lavoro**
  - a. **Mantenere pulita e bene illuminata l'area di lavoro.** Gli ambienti disordinati o scarsamente illuminati favoriscono gli incidenti.
  - b. **Evitare di usare gli elettrotensili in ambienti esposti al rischio di esplosione, come ad esempio in presenza di liquidi, gas o polveri infiammabili.** Gli elettrotensili generano scintille che potrebbero incendiare polveri o fumi.
  - c. **Tenere lontani bambini e astanti mentre si usa un elettrotensile.** Eventuali distrazioni possono provocare la perdita di controllo.
2. **Sicurezza elettrica**
  - a. **Le spine dell'elettrotensile devono essere adatte alla presa di corrente. Non modificare la spina in alcun modo. Non utilizzare spine con adattatore con un elettrotensile dotato di messa a terra.** Per ridurre il rischio di scosse elettriche evitare di modificare le spine e utilizzare sempre le prese di corrente appropriate.
  - b. **Evitare il contatto fisico con superfici collegate a terra, tipo tubi, radiatori, forni e frigoriferi.** Se il corpo dell'operatore è collegato a terra, il rischio di scosse elettriche aumenta.
  - c. **Non esporre gli elettrotensili alla pioggia o all'umidità.** Se dovesse penetrare dell'acqua all'interno dell'apparecchio, il rischio di scossa elettrica aumenta.

- d. **Non utilizzare il cavo di alimentazione in modo improprio. Non spostare, tirare o scollegare mai un elettrodomestico dalla presa di corrente tirandolo dal cavo di alimentazione. Tenere il cavo di alimentazione lontano da fonti di calore, olio, bordi taglienti o parti in movimento.** Se il cavo di alimentazione è danneggiato o impigliato, il rischio di scosse elettriche aumenta.
- e. **Se l'elettrodomestico viene adoperato all'aperto, usare esclusivamente prolunghe omologate per l'impiego all'esterno.** L'uso di un cavo idoneo per esterni riduce il rischio di scosse elettriche.
- f. **Se non è possibile evitare di utilizzare un elettrodomestico in una zona umida, collegarsi a una rete elettrica protetta da un interruttore differenziale salvavita (RCD).** L'uso di un RCD riduce il rischio di scosse elettriche.
3. **Sicurezza personale**
- a. **Quando si utilizza un elettrodomestico evitare di distrarsi. È importante concentrarsi su quello che si sta facendo e usare il buon senso. Non utilizzare l'elettrodomestico quando si è stanchi o sotto l'effetto di sostanze stupefacenti, alcool o medicinali.** Un solo attimo di distrazione durante l'uso di un elettrodomestico potrebbe provocare gravi lesioni personali.
- b. **Utilizzare dispositivi di protezione personale. Indossare sempre occhiali di sicurezza.** L'impiego di dispositivi di protezione individuale, quali maschere antipolvere, scarpe antinfortunistiche antiscivolo, elmetti di sicurezza o protezioni per l'udito, nelle condizioni opportune, consente di ridurre le lesioni personali.
- c. **Prevenire l'avvio involontario. Accertarsi che l'interruttore sia nella posizione di spegnimento, prima di collegare un elettrodomestico alla rete elettrica e/o alla batteria, di prenderlo in mano o di trasportarlo.** Per non esporsi al rischio di incidenti, non trasportare gli elettrodomestici tenendo le dita sull'interruttore e non collegarlo a una fonte di alimentazione elettrica con l'interruttore in posizione di accensione.
- d. **Prima di accendere un elettrodomestico, rimuovere eventuali chiavi o utensili di regolazione.** Un utensile di regolazione o una chiave inseriti in una parte rotante dell'elettrodomestico possono provocare lesioni personali.
- e. **Non sbilanciarsi. Mantenere sempre un appoggio e un equilibrio adeguati.** In tal modo è possibile mantenere un migliore controllo dell'elettrodomestico nelle situazioni impreviste.
- f. **Vestirsi adeguatamente. Non indossare abiti non aderenti o gioielli. Tenere capelli e indumenti lontano dalle parti mobili.** Abiti non aderenti, gioielli o capelli lunghi possono impigliarsi nelle parti in movimento.
- g. **Se gli elettrodomestici sono provvisti di attacchi per il collegamento di dispositivi di aspirazione o di raccolta della polvere, assicurarsi che questi siano installati e utilizzati correttamente.** L'impiego di dispositivi di aspirazione delle polveri può ridurre i pericoli legati alle stesse.
- h. **Non lasciare che la familiarità acquisita dall'uso frequente degli elettrodomestici conduca alla noncuranza e alla trascuratezza dei principi di sicurezza degli utensili.** Una disattenzione può causare lesioni gravi in una frazione di secondo.
4. **Uso e cura dell'elettrodomestico**
- a. **Non sovraccaricare l'elettrodomestico. Utilizzare l'elettrodomestico corretto per il lavoro da eseguire.** L'elettrodomestico corretto funziona meglio e in modo più sicuro, se utilizzato alla velocità per cui è stato progettato.
- b. **Non usare l'elettrodomestico se l'interruttore di accensione/spengimento non funziona.** Qualsiasi elettrodomestico che non possa essere controllato tramite l'interruttore è pericoloso e deve essere riparato.
- c. **Scollegare la spina dalla presa di corrente e/o rimuovere il pacco batteria, se estraibile, dall'elettrodomestico prima di effettuare qualsiasi tipo di regolazione, cambiare gli accessori o ripararlo.** Queste misure di sicurezza preventive riducono il rischio di azionare accidentalmente l'elettrodomestico.
- d. **Quando non vengono usati, gli elettrodomestici devono essere custoditi fuori dalla portata dei bambini. Non consentire l'uso dell'elettrodomestico a persone inesperte o che non abbiano letto le presenti istruzioni.** Gli elettrodomestici sono pericolosi nelle mani di persone inesperte.
- e. **Eseguire la manutenzione degli elettrodomestici e degli accessori. Verificare che le parti mobili siano correttamente allineate e non inceppate, che non vi siano componenti rotti e che non sussistano altre condizioni che possano compromettere il funzionamento dell'elettrodomestico. Se l'elettrodomestico è danneggiato, farlo riparare prima dell'uso.** Molti incidenti sono provocati da elettrodomestici non sottoposti a una corretta manutenzione.
- f. **Mantenere affilati e puliti gli strumenti da taglio.** La manutenzione corretta degli utensili da taglio con bordi affilati riduce le probabilità di inceppamento e ne facilita il controllo.
- g. **Utilizzare l'elettrodomestico, gli accessori, le punte, ecc. in conformità a queste istruzioni, tenendo conto delle condizioni operative e del lavoro da eseguire.** L'utilizzo dell'apparecchio per impieghi diversi da quelli previsti può provocare situazioni di pericolo.
- h. **Mantenere le impugnature e le superfici di presa asciutte, pulite libere da olio e grasso.**

Impugnature e superfici di presa scivolose non consentono di maneggiare e controllare in modo sicuro l'elettrotensile nel caso di imprevisti.

## 5. Assistenza

- a. **L'elettrotensile deve essere riparato da personale qualificato, che utilizzi ricambi originali identici alle parti da sostituire.** In questo modo viene garantita la sicurezza dell'elettrotensile.

## Avvertenze di sicurezza riguardanti i martelli demolitori

### Istruzioni di sicurezza per tutte le lavorazioni

- ◆ **Indossare dispositivi di protezione dell'udito.** L'esposizione al rumore può causare la perdita dell'udito.
- ◆ **Usare le impugnature ausiliarie di cui è provvisto l'elettrotensile.** La perdita di controllo può causare lesioni a persone.
- ◆ **Afferrare l'elettrotensile dall'impugnatura isolata se vi è la possibilità che l'accessorio di taglio possa venire a contatto con cavi nascosti o con il proprio cavo di alimentazione.** Se un accessorio di taglio dovesse venire a contatto con un cavo sotto tensione trasmetterebbe la corrente elettrica anche alle parti metalliche esposte dell'elettrotensile, con il pericolo di provocare la folgorazione dell'utilizzatore.

### Istruzioni di sicurezza aggiuntive per trapani a percussione

- ◆ **Usare morse o altri metodi pratici per fissare e bloccare il pezzo da lavorare a una piattaforma stabile.** Tenere il lavoro con le mani o contro il corpo non è stabile e potrebbe portare alla perdita di controllo.
- ◆ **Indossare occhiali di sicurezza a mascherina o altri dispositivi di protezione per gli occhi. Le operazioni di martellatura possono provocare l'emissione di schegge.** Tali schegge proiettate in aria possono causare danni permanenti alla vista. Indossare una mascherina antipolvere per le applicazioni in cui si generano polveri. Può rendersi necessario l'impiego di protezioni acustiche per la maggior parte delle applicazioni.
- ◆ **Mantenere sempre una presa salda sull'elettrotensile. Non tentare di utilizzare l'utensile senza tenerlo con entrambe le mani. Si raccomanda di utilizzare sempre l'impugnatura laterale.** L'utilizzo di questo utensile con una sola mano provocherà la perdita del controllo. Anche lo sfondamento o l'impatto con materiali duri come ad esempio sbarre può essere pericoloso. Serrare bene l'impugnatura laterale prima dell'uso.
- ◆ **Non utilizzare questo utensile per periodi prolungati.**

Le vibrazioni generate quando l'elettrotensile è in funzione potrebbe risultare dannosa per le mani e le braccia dell'operatore. Indossare dei guanti per ammortizzare ulteriormente le vibrazioni e limitare l'esposizione facendo pause frequenti.

- ◆ **Non ricondizionare le punte da soli.** Il ricondizionamento deve essere eseguito da un tecnico autorizzato. Gli scalpelli ricondizionati impropriamente possono causare lesioni.
- ◆ **Indossare guanti durante l'uso dell'elettrotensile o la sostituzione delle punte.** Le parti metalliche accessibili sull'elettrotensile e le punte potrebbero diventare estremamente calde durante l'uso. Piccole particelle di materiale rotto potrebbero danneggiare le mani nude.
- ◆ **Non appoggiare mai l'utensile finché l'accessorio non si è arrestato completamente.** Le punte in movimento potrebbero causare lesioni alle persone.
- ◆ **Non colpire le punte inceppate con un martello per sbloccarle.** Frammenti di metallo o trucioli di materiale potrebbero staccarsi e provocare lesioni.
- ◆ **Gli scalpelli leggermente usurati possono essere riaffilati con la molatura.**
- ◆ **Tenere il cavo di alimentazione lontano dalla punta rotante. Non avvolgere il cavo intorno ad alcuna parte del corpo.** Un cavo elettrico avvolto intorno a una punta che gira può causare lesioni personali e la perdita di controllo dell'elettrotensile.

### Sicurezza altrui

- ◆ Questo elettrotensile non è destinato all'uso da parte di persone (inclusi i bambini) con capacità fisiche, sensoriali o mentali ridotte, o prive di esperienza e conoscenze, a meno che non siano sorvegliate o abbiano ricevuto istruzioni riguardo all'uso dell'apparecchio da parte di una persona responsabile della loro sicurezza.
- ◆ I bambini devono essere sorvegliati per assicurare che non giochino con l'elettrotensile.

### Rischi residui

Quando si usa l'elettrotensile, possono presentarsi rischi residui aggiuntivi, che possono non essere stati contemplati negli avvisi di sicurezza allegati. Tali rischi possono derivare da un uso improprio, prolungato, ecc. dell'elettrotensile. Perfino attenendosi alle apposite norme sulla sicurezza e utilizzando dispositivi di sicurezza, determinati rischi residui non possono essere evitati. Tali rischi includono:

- ◆ lesioni causate o subite a seguito del contatto con parti rotanti/in movimento;
- ◆ lesioni causate o subite durante la sostituzione di parti, lame o accessori;



- ◆ lesioni causate dall'impiego prolungato di un elettroutensile (quando si usa qualsiasi elettroutensile per lunghi periodi, accertarsi di fare regolarmente delle pause);
- ◆ menomazioni uditive;
- ◆ pericoli per la salute causati dall'inspirazione delle polveri prodotte durante l'uso dell'elettroutensile (ad esempio quando si lavora con il legno, in modo particolare quello di quercia o faggio o l'MDF).

## Vibrazioni e rumore

I valori di emissione di vibrazione e rumore dichiarati, indicati nella sezione "Dati tecnici" e nella Dichiarazione di conformità, sono stati misurati in base al metodo di prova standard previsto dalla normativa EN62841 e possono essere usati come parametri di confronto tra due utensili.

Il valore di emissione di vibrazioni e rumore dichiarato può anche essere usato per una valutazione preliminare dell'esposizione.

**AVVERTENZA!** Il valore di emissione di vibrazioni e di rumore durante l'impiego effettivo dell'elettroutensile può differire da quello dichiarato a seconda delle modalità d'uso. Il livello di vibrazioni e rumore potrebbe aumentare oltre quello dichiarato.

Quando si valuta l'esposizione a vibrazione per determinare le misure di sicurezza richieste dalla Direttiva 2002/44/CE destinata alla protezione delle persone che utilizzano regolarmente elettroutensili per lo svolgimento delle proprie mansioni, è necessario prendere in considerazione le condizioni effettive di utilizzo e il modo in cui l'elettroutensile viene usato, oltre che tenere conto di tutte le componenti del ciclo operativo, vale a dire i periodi in cui l'elettroutensile rimane spento, quelli in cui è acceso ma fermo e quelli in cui viene effettivamente utilizzato.

## Etichette sull'elettroutensile

Sull'elettroutensile sono presenti i seguenti pittogrammi, insieme al codice data:



**AVVERTENZA!** Per ridurre il rischio di lesioni personali, leggere attentamente il manuale di istruzioni.



Indossare occhiali di sicurezza.



Indossare dispositivi di protezione per l'udito.

## Sicurezza elettrica



Questo elettroutensile possiede un doppio isolamento, perciò non è necessario il collegamento a terra. Verificare sempre che l'alimentazione corrisponda alla tensione riportata sulla targhetta dei valori nominali.

- ◆ In caso di danneggiamento del cavo di alimentazione, è necessario farlo riparare dal produttore o presso un centro di assistenza Stanley Fat Max autorizzato in modo da evitare pericoli.

## Utilizzo di un cavo di prolunga

Usare sempre un cavo di prolunga di tipo omologato, idoneo all'assorbimento di corrente di questo elettroutensile (vedere i dati tecnici).

Il cavo di prolunga deve essere idoneo per impiego all'esterno e deve essere opportunamente contrassegnato. È possibile usare un cavo di prolunga lungo fino a 30 m con diametro di 1,5 mm<sup>2</sup> H05VV-F senza alcuna perdita di prestazioni del prodotto. Prima dell'impiego, ispezionare il cavo di prolunga per accertarsi che non presenti segni di danneggiamento, usura o invecchiamento. Sostituire il cavo di prolunga se è danneggiato o difettoso. Se si utilizza un avvolgicavo, estrarre il cavo per l'intera lunghezza.

## Caratteristiche

Questo apparecchio include alcuni o tutti i seguenti componenti.

1. Impugnatura laterale
2. Interruttore
3. Copri-fusto
4. Portapunta SDS MAX
5. Ingresso di iniezione olio lubrificante

## Uso

**AVVERTENZA!** Prima di tentare di eseguire una qualsiasi delle seguenti operazioni, assicurarsi che l'elettroutensile sia spento e scollegato dalla presa di corrente.

## Accensione e spegnimento (Fig.A)

- ◆ Per accendere l'elettroutensile premere l'interruttore (2) e ruotarlo nella posizione di accensione "ON".
- ◆ Per arrestare l'elettroutensile ruotare l'interruttore nella posizione di spegnimento ("OFF") e rilasciarlo (2).

## Montaggio dell'impugnatura laterale (Fig. B)

L'impugnatura laterale (1) consente di usare l'elettroutensile da utilizzatori sia destrorsi che mancini.

**AVVERTENZA!** Non utilizzare l'elettroutensile se l'impugnatura laterale non è correttamente assemblata.

- ◆ Allentare l'impugnatura laterale.
- ◆ Per gli utilizzatori destrorsi: Far scorrere il morsetto dell'impugnatura laterale sul collare dietro il portautensili, impugnatura a sinistra. Per utenti mancini: Far scorrere il morsetto



dell'impugnatura laterale sul collare dietro il portautensili, impugnatura a destra.

- ◆ Ruotare l'impugnatura laterale orientandola nella posizione desiderata e serrare l'impugnatura.

## Inserimento e rimozione degli accessori SDS Max (Figg. C e D)

Questo utensile utilizza accessori SDS Max (fare riferimento alla figura D per una sezione trasversale di uno stelo di punta SDS Max). Si suggerisce di adoperare esclusivamente accessori professionali.

- ◆ Pulire e ingrassare lo stelo della punta.
- ◆ Inserire il codolo della punta nel mandrino portautensile/ manicotto di bloccaggio (4).
- ◆ Spingere la punta verso il basso e ruotare leggermente finché non si inserisce negli alloggiamenti.
- ◆ Tirare la punta per verificare che sia correttamente bloccata. La funzione di percussione richiede lo spostamento assiale della punta di diversi centimetri quando è inserita nel portautensili.
- ◆ Per rimuovere una punta, tirare indietro il portautensili/ manicotto di bloccaggio (4), come illustrato in figura C, ed estrarre la punta.

**AVVERTENZA!** Quando si cambiano gli accessori indossare sempre dei guanti. Le parti metalliche esposte dell'elettrotroutensile e dell'accessorio possono diventare estremamente calde durante l'uso.

## Frantumazione e scalpellatura (Fig. E)

- ◆ Inserire lo scalpello appropriato (non fornito in dotazione) nella posizione corretta.
- ◆ Regolare l'impugnatura laterale (1) in base alla necessità.
- ◆ Accendere l'elettrotroutensile e iniziare a lavorare.
- ◆ Spegnerne sempre l'elettrotroutensile al termine del lavoro e prima di disinserire la spina dalla presa di alimentazione.
- ◆ Attenersi sempre alle istruzioni di sicurezza e alle normative in vigore.
- ◆ Essere consapevoli della posizione di tubature e cavi elettrici.
- ◆ Esercitare solo una leggera pressione sull'elettrotroutensile (circa 5 kg). Una forza eccessiva non accelera la scalpellatura ma diminuisce le prestazioni dell'utensile e potrebbe ridurne la durata.
- ◆ Tenere sempre l'elettrotroutensile con entrambe le mani e assicurarsi di assumere una posizione sicura. Utilizzare sempre l'elettrotroutensile con l'impugnatura laterale assemblata correttamente.

## Corretto posizionamento delle mani (Fig. F)

**AVVERTENZA!** Al fine di ridurre il rischio di lesioni personali gravi, tenere le mani SEMPRE nella posizione corretta, illustrata in figura.

**AVVERTENZA!** Per ridurre il rischio di lesioni personali gravi,

afferrare SEMPRE l'elettrotroutensile con presa sicura in modo da prevenire reazioni improvvise.

La posizione corretta delle mani prevede una mano sull'impugnatura laterale (1) e l'altra mano sull'impugnatura principale.

**AVVERTENZA!** Non usare questo elettrotroutensile per miscelare o pompare liquidi facilmente infiammabili o esplosivi (come benzina, alcol, ecc.).

Non miscelare o agitare liquidi infiammabili etichettati in modo conforme.

## Accessori

Le prestazioni dell'elettrotroutensile dipendono dall'accessorio usato. Gli accessori Stanley FatMax sono fabbricati secondo standard qualitativi elevati e sono stati progettati per ottenere le migliori prestazioni dall'elettrotroutensile. Usando questi accessori si otterrà il meglio dall'elettrotroutensile.

## Manutenzione

L'elettrotroutensile Stanley Fat Max con/senza cavo è stato progettato per funzionare a lungo con una manutenzione minima. Per ottenere prestazioni sempre soddisfacenti occorre avere cura dell'elettrotroutensile e sottoporlo a pulizia periodica.

**AVVERTENZA!** Prima di eseguire qualsiasi intervento di manutenzione sugli elettrotroutensili con/senza cavo:

- ◆ Spegnerne e scollegare l'apparecchio/l'elettrotroutensile dalla presa di corrente.
- ◆ Oppure spegnere ed estrarre la batteria, se l'apparecchio/l'elettrotroutensile è dotato di un pacco batteria separato.
- ◆ Oppure scaricare completamente la batteria se è di tipo integrale e quindi spegnerlo.
- ◆ Scollegare il caricabatterie dalla spina prima di pulirlo. Il caricabatterie non richiede alcuna manutenzione, salvo una regolare pulizia.
- ◆ Pulire regolarmente le prese di ventilazione dell'apparecchio/elettrotroutensile/alimentatore con un pennello o con un panno morbido e asciutto.
- ◆ Pulire regolarmente il vano del motore con un panno umido. Non usare materiali abrasivi o detersivi a base di solventi.
- ◆ Aprire periodicamente il mandrino e batterlo leggermente per eliminare la polvere dall'interno (se montato).

## Sostituzione della spina (solo per Regno Unito e Irlanda)

Se dovesse essere necessario installare una nuova spina:

- ◆ smaltire in sicurezza quella vecchia.
- ◆ collegare il filo marrone al morsetto sotto tensione della nuova spina.
- ◆ collegare il filo blu al morsetto neutro.

**AVVERTENZA!** Non effettuare alcun collegamento al

terminale di messa a terra. Seguire le istruzioni di montaggio fornite con le spine di buona qualità. Fusibile consigliato: 10 A.

## Tutela ambientale



Raccolta differenziata. I prodotti e le batterie contrassegnate con questo simbolo non devono essere smaltiti insieme ai normali rifiuti domestici.

Apparecchi e batterie contengono materiali che possono essere recuperati o riciclati, riducendo la domanda di materie prime.

Riciclare i prodotti elettrici e le batterie attenendosi alle disposizioni locali vigenti. Ulteriori informazioni sono disponibili all'indirizzo web [www.2helpU.com](http://www.2helpU.com)

## Dati tecnici

SFMEH220 (Tipo 01)		
Tensione	V	230
Frequenza	Hz	50
Corrente in ingresso	A	1010
Forza di percussione	colpi/min	2900
Energia del colpo (EPTA / max)	J	8,5
Tipo di mandrino portapunta		SDS Max
Peso	kg	6,3

Livello di pressione sonora misurato in base alla norma EN62841:		
Livello di pressione sonora ( $L_{WA}$ )	dB(A)	95
Incertezza livello di pressione sonora ( $K_{WA}$ )	dB(A)	3
Livello di potenza sonora ( $L_{WA}$ )	dB(A)	103
Incertezza livello di potenza sonora ( $K_{WA}$ )	dB(A)	1,8
Valore di emissione di vibrazione ah (scalpellatura)		
( $a_{h,C(1/3)}$ )	m/s <sup>2</sup>	14,3
Incertezza (K)	m/s <sup>2</sup>	1,5

## Dichiarazione CE di conformità

DIRETTIVA MACCHINE



SFMEH220 - Martello demolitore

Stanley Fat Max dichiara che questi prodotti descritti nella sezione "Dati tecnici" sono conformi alle seguenti norme: 2006/42/CE.

EN62841-1:2015+A11:2022, EN IEC62841-2-6:2020 +A11:2020.

Questi prodotti sono anche conformi alle Direttive 2014/30/UE e 2011/65/UE.

2000/14/CE, Martello demolitore elettrico per cemento (portatile), massa  $\leq$  15 kg, Allegato VI, DEKRA Testing and Certification GmbH, Handwerkstraße 15, 70565 Stoccarda (Germania).

Sede dell'organismo di certificazione, Dinnendahlstr. 9, 44809 Bochum, Germania Numero ente notificato: 0158 LWA (livello di potenza sonora misurata) 103 dB(A), incertezza (K) = 1,8 dB (A), LWA (potenza sonora garantita) 105 dB(A). Per

ulteriori informazioni, contattare Stanley Fat Max al seguente indirizzo oppure consultare l'ultima di copertina del manuale.

Il sottoscritto è responsabile della redazione di questo documento tecnico e rilascia questa dichiarazione per conto di Stanley Fat Max.

*Patrick Diepenbach* Patrick Diepenbach  
Direttore generale,  
Benelux Stanley Fat Max,  
Egide Walschaertsstraat  
14-18 2800 Mechelen, Belgio  
12.30.2022

## Garanzia

Stanley Fat Max è sicura della qualità dei propri prodotti e offre ai consumatori una garanzia di 12 mesi dalla data di acquisto.

Il presente certificato di garanzia è complementare ai diritti legali e non li pregiudica in alcun modo.

La garanzia è valida nei territori degli Stati membri dell'Unione Europea, dell'EFTA (Associazione europea di libero scambio) e del Regno Unito.

Per attivare la garanzia, il reclamo deve essere effettuato in accordo con i Termini e Condizioni Stanley Fat Max e sarà necessario presentare la prova di acquisto al venditore o all'agente di riparazione autorizzato.

I Termini e condizioni della garanzia Stanley FatMax di 1 anno e la sede del tecnico riparatore autorizzato più vicino sono consultabili online sul sito web [www.2helpU.com](http://www.2helpU.com) oppure contattando la sede Stanley FatMax di zona all'indirizzo indicato in questo manuale.

Visitare il nostro sito [www.stanley.eu/3](http://www.stanley.eu/3) per registrare il nuovo prodotto Stanley Fat Max e ricevere gli aggiornamenti sui nuovi prodotti e le offerte speciali.

## Informazioni sulla tutela ambientale

In Stanley Black & Decker, l'impegno per l'eccellenza in termini di tutela dell'ambiente e sostenibilità durante l'intero ciclo di vita dei nostri prodotti rimane al centro del nostro modo di operare. Gli imballaggi dei prodotti andranno gestiti correttamente (controllando il codice del materiale) quando si deciderà di smaltirli, per cui si consiglia di informarsi presso la propria comunità/il proprio comune per avere indicazioni in merito alla gestione dei rifiuti. I materiali con cui sono realizzati i nostri prodotti e componenti elettrici, come le batterie, contengono importanti materie prime e devono essere gestiti correttamente al termine del loro ciclo di vita. Tali materiali possono essere conferiti presso un centro di raccolta dei rifiuti pubblico riconosciuto o presso un rivenditore aderente all'iniziativa. Le istruzioni per l'uso e la sicurezza andranno smaltite solo quando il prodotto a cui si riferiscono non sarà più in uso. Effettuare la scansione del codice QR per ulteriori informazioni.

**StanleyBlack&Decker**



## Bedoeld gebruik

De STANLEY FATMAX® SFMEH220 sloophamer is ontworpen voor licht of middelzwaar hakken, beitelen in en slopen van beton, baksteen metselwerk. Dit gereedschap is bedoeld voor professioneel gebruik en voor privégebruik, niet-professioneel.

## Veiligheidsinstructies

### Algemene veiligheidswaarschuwingen voor elektrisch gereedschap



**WAARSCHUWING!** Lees alle veiligheids-waarschuwingen, instructies, illustraties en specificaties die bij dit elektrisch gereedschap worden geleverd. Wanneer de volgende waarschuwingen en voorschriften niet in acht worden genomen, kan dit een elektrische schok, brand of ernstig letsel tot gevolg hebben.

**Bewaar alle waarschuwingen en instructies zodat u deze later ook kunt raadplegen.** De term 'elektrisch gereedschap' in alle onderstaande waarschuwingen, heeft betrekking op elektrisch gereedschap voor gebruik op netspanning (met netsnoer) of met een accu (snoerloos).

## 1. Veilige werkomgeving

- Houd de werkomgeving schoon en goed verlicht.** Op rommelige of donkere plekken kunnen gemakkelijk ongelukken gebeuren.
- Werk niet met elektrisch gereedschap in explosieve omgevingen, zoals in de nabijheid van brandbare vloeistoffen, gasen of stof.** Elektrisch gereedschap veroorzaakt vonken die het stof of de dampen kunnen doen ontbranden.
- Houd kinderen en omstanders tijdens het gebruik van elektrisch gereedschap op afstand.** Als u wordt afgeleid, kunt u de controle over het gereedschap verliezen.

## 2. Elektrische veiligheid

- Stekkers van elektrisch gereedschap moeten in het stopcontact passen. Pas de stekker nooit op om het even welke manier aan. Gebruik geen adapterstekkers in combinatie met geaard elektrisch gereedschap.** Niet-aangepaste stekkers en passende contactdozen verminderen het risico van een elektrische schok.
- Vermijd aanraking van het lichaam met geaarde oppervlakken, bijvoorbeeld buizen, verwarmingen, fornuizen en koelkasten.** Er bestaat een verhoogd risico op een elektrische schok als uw lichaam geaard is.
- Stel elektrisch gereedschap niet bloot aan regen en vocht.** Als er water in elektrisch gereedschap komt, zal dit het risico op een elektrische schok vergroten.
- Misbruik het snoer niet. Gebruik het snoer nooit om het elektrisch gereedschap te dragen of naar u toe te trekken of om de stekker uit het stopcontact te trekken. Houd het snoer uit de buurt van warmte, olie, scherpe randen of bewegende onderdelen.** Beschadigde snoeren of snoeren die in de war zijn geraakt, verhogen het risico van een elektrische schok.
- Gebruik, wanneer u buitenshuis met elektrisch gereedschap werkt, alleen verlengsnoeren die zijn goedgekeurd voor gebruik buitenshuis.** Het gebruik van een verlengsnoer dat geschikt is voor buitenshuis werken, vermindert het risico op een elektrische schok.
- Als u met elektrisch gereedschap werkt op een vochtige locatie, gebruik dan een aardlekschakelaar (RCD).** Het gebruik van een aardlekschakelaar vermindert het risico van een elektrische schok.

## 3. Persoonlijke veiligheid

- Blijf alert, let goed op wat u doet en ga met verstand te werk bij het gebruik van elektrisch gereedschap.** Gebruik elektrisch gereedschap niet als u vermoeid of onder de invloed van drugs, alcohol of medicatie bent. Een moment van onoplettendheid tijdens het bedienen van elektrisch gereedschap kan leiden tot ernstig persoonlijk letsel.
- Draag persoonlijke beschermende uitrusting.**

- Draag altijd oogbescherming.** Beschermingsmiddelen, zoals een stofmasker, antislip veiligheidsschoenen, een helm of gehoorbescherming, gebruikt in de juiste omstandigheden, zal het risico op persoonlijk letsel verminderen.
- c. **Voorkom per ongeluk inschakelen. Verzeker dat de stekker in het stopcontact steekt en/of de accu geplaatst is en voordat u het gereedschap optilt of draagt, dat de schakelaar in de uit-stand staat.** Het dragen van elektrisch gereedschap met uw vinger op de schakelaar of het onder spanning zetten van elektrisch gereedschap waarvan de schakelaar aan staat, kan leiden tot ongelukken.
- d. **Verwijder stelsleutels of steeksleutels voordat u het elektrisch gereedschap inschakelt.** Een steeksleutel of stelsleutel die in een draaiend deel van het elektrisch gereedschap is blijven steken, kan persoonlijk letsel veroorzaken.
- e. **Reik niet buiten uw macht. Blijf te allen tijde stevig en in evenwicht staan.** Dit geeft u meer controle over het elektrisch gereedschap in onverwachte situaties.
- f. **Draag geschikte kleding. Draag geen loszittende kleding of sieraden. Houd uw haar en kleding uit de buurt van bewegende onderdelen.** Loszittende kleding, sieraden of lang haar kunnen door bewegende delen worden gegrepen.
- g. **Als er uitrusting is geleverd voor het aansluiten van een stofafzuiging of een stofreservoir, controleer dan dat deze zijn aangesloten en op de juiste manier worden gebruikt.** Het gebruik van stofafzuiging kan aan stof gerelateerde gevaren verminderen.
- h. **Denk niet dat, doordat u het gereedschap vaak gebruikt wel weet hoe het werkt en dat u de veiligheidsbeginselen van het gereedschap wel kunt negeren.** Een onvoorzichtige handeling kan in een fractie van een seconde ernstig letsel veroorzaken.
- 4. Gebruik en onderhoud van elektrisch gereedschap**
- a. **Forceer het elektrisch gereedschap niet. Gebruik het juiste elektrisch gereedschap voor uw toepassing.** Met het juiste elektrisch gereedschap kunt u de werkzaamheden waarvoor het gereedschap is ontworpen, beter en veiliger uitvoeren.
- b. **Gebruik het elektrisch gereedschap niet als het niet met de schakelaar in- en uitgeschakeld kan worden.** Ieder elektrisch gereedschap dat niet met de schakelaar kan worden bediend, is gevaarlijk en moet worden gerepareerd.
- c. **Haal de stekker uit het stopcontact en/of neem de accu, als deze uitneembaar is, uit het gereedschap voordat u aanpassingen uitvoert, accessoires verwisselt, of het elektrisch gereedschap opbergt.**
- Dergelijke preventieve veiligheidsmaatregelen verminderen het risico dat het elektrische gereedschap per ongeluk opstart.
- d. **Bewaar niet-gebruikte elektrische gereedschappen buiten bereik van kinderen. Laat het gereedschap niet gebruiken door personen die er niet vertrouwd mee zijn en deze aanwijzingen niet hebben gelezen.** Elektrisch gereedschap is gevaarlijk in handen van niet opgeleide gebruikers.
- e. **Onderhoud elektrisch gereedschap en accessoires goed. Controleer dat bewegende delen van het elektrisch gereedschap wel goed functioneren en niet klemmen, en dat er niet onderdelen zodanig zijn gebroken of beschadigd dat de werking van het elektrisch gereedschap nadelig wordt beïnvloed. Laat het gereedschap voor gebruik repareren als het beschadigd is.** Veel ongelukken worden veroorzaakt door slecht onderhouden elektrisch gereedschap.
- f. **Houd knip- en snijgereedschap scherp en schoon.** Goed onderhouden zaaggereedschap met scherpe snijvlakken loopt minder snel vast en is gemakkelijker onder controle te houden.
- g. **Gebruik elektrisch gereedschap, accessoires, zaagjes en boortjes, enz., volgens deze aanwijzingen. Let daarbij op de werkomstandigheden en de uit te voeren werkzaamheden.** Gebruik van het elektrisch gereedschap voor werkzaamheden die anders zijn dan bedoeld, kan leiden tot een gevaarlijke situatie.
- h. **Houd de handgrepen droog, schoon en vrij van olie en vet.** Door gladde handgrepen en oppervlakken die u beet pakt, kan veilig werken en bedienen van het gereedschap in onverwachte situaties onmogelijk worden.
- 5. Service**
- a. **Laat uw elektrisch gereedschap alleen repareren door gekwalificeerd en vakkundig personeel en alleen met originele vervangingsonderdelen.** De veiligheid van het gereedschap blijft dan gewaarborgd.

## Veiligheidswaarschuwingen voor hamers

### Veiligheidsvoorschriften voor alle bedieningshandelingen

- ◆ **Draag gehoorbescherming.** Blootstelling aan lawaai kan gehoorverlies veroorzaken.
- ◆ **Gebruik de hulphandgrepen die bij het gereedschap worden geleverd.** Verlies van controle kan leiden tot persoonlijk letsel.
- ◆ **Houd het elektrisch gereedschap vast bij de geïsoleerde greepoppervlakken wanneer u een handeling uitvoert waarbij het accessoire van het zaaggereedschap met onzichtbare bedrading of met het eigen snoer in aanraking kan komen.**

Accessoires van elektrisch gereedschap die in contact komen met bedrading waar spanning op staat, kunnen metalen onderdelen van het gereedschap onder stroom zetten en de gebruiker een elektrische schok geven.

### Aanvullende veiligheidsinstructies voor hamers

- ◆ **Zet het werkstuk met klemmen of op een andere praktische manier vast en ondersteun het werkstuk op een stabiel oppervlak.** Wanneer u het werkstuk vasthoudt met de hand of tegen uw lichaam gedrukt houdt, is het instabiel en kunt u de controle verliezen.
- ◆ **Draag een veiligheidsbril of andere oogbescherming. Tijdens het werken met de beitelhamer kunnen er kleine stukjes materiaal in het rond vliegen.** Deeltjes die worden weggeslingerd, kunnen permanente beschadiging van de ogen veroorzaken. Draag een stofkap of stofmasker voor toepassing die stof genereren. Voor de meeste toepassingen zal misschien gehoorbescherming nodig zijn.
- ◆ **Houd het gereedschap te allen tijde stevig vast. Probeer niet te werken met dit gereedschap zonder het met beide handen vast te houden. U wordt geadviseerd te allen tijde de zijhandgreep te gebruiken.** Wanneer u dit gereedschap met één hand bedient zal dat leiden tot verlies van controle. Ook kan het gevaarlijk zijn bij het doorbreken van of stuiten op harde materialen zoals betonijzer. Draai voor gebruik de zijhandgreep stevig vast.
- ◆ **Werk niet gedurende lange tijd met dit gereedschap.** Trilling die wordt veroorzaakt door de slagboorwerking van het gereedschap, kunnen schadelijk zijn voor uw handen en armen. Draag handschoenen zodat de trillingen worden opgevangen en beperk de blootstelling door regelmatig rustperiodes in te lassen.
- ◆ **Slijp de beitels niet zelf.** Het slijpen van beitels moet worden gedaan door een erkende specialist. Wanneer beitels niet goed zijn geslepen, kan dat letsel veroorzaken.
- ◆ **Draag handschoenen wanneer u met het gereedschap werkt of wanneer u beitels wisselt.** Bereikbare metalen delen van het gereedschap en boortjes kunnen uitermate heet worden tijdens het gebruik. Kleine stukjes afgebroken materiaal kunnen blote handen verwonden.
- ◆ **Leg het gereedschap nooit neer voordat het volledig tot stilstand gekomen is.** Bewegende beitels kunnen letsel veroorzaken.
- ◆ **Probeer niet vastgelopen beitels met een hamer los te maken.** Metalen deeltjes of deeltjes van materiaal kunnen loskomen en letsel veroorzaken.
- ◆ **Beitels die enigszins versleten zijn, kunnen worden geslepen.**
- ◆ **Houd het netsnoer uit de buurt van draaiende beitel. Wikkel het netsnoer niet om een deel van uw lichaam.**

Een netsnoer dat door een draaiende beitel wordt gegrepen, kan persoonlijk letsel en verlies van controle veroorzaken.

### Veiligheid van anderen

- ◆ Dit gereedschap is niet bedoeld voor gebruik door personen (waaronder kinderen) met verminderde fysieke, zintuiglijke of psychische vermogens, of met een gebrek aan ervaring en kennis, tenzij onder toezicht van of met aanwijzingen over het gebruik van het apparaat door een persoon die verantwoordelijk is voor hun veiligheid.
- ◆ Kinderen moeten onder toezicht staan, om te verzekeren dat ze niet met het apparaat spelen.

### Overige risico's

Er kunnen nog meer risicovolle situaties ontstaan bij het gebruik van het gereedschap die misschien niet worden vermeld in de bijgevoegde veiligheids waarschuwingen. Deze risicovolle situaties kunnen zich voordoen door onoordeelkundig gebruik, langdurig gebruik, enz. Zelfs wanneer de relevante veiligheidsvoorschriften worden toegepast en veiligheidsvoorzieningen worden geïmplementeerd, kunnen bepaalde risico's niet worden vermeden. Dit zijn onder meer:

- ◆ Verwondingen die worden veroorzaakt door het aanraken van draaiende of bewegende onderdelen.
- ◆ Verwondingen die worden veroorzaakt bij het vervangen van onderdelen, zaagbladen of accessoires.
- ◆ Verwondingen die worden veroorzaakt door langdurig gebruik van gereedschap. Wanneer u gedurende langere periodes met gereedschap werkt, kunt u het beste regelmatig een pauze nemen.
- ◆ Gehoorbeschadiging.
- ◆ Gezondheidsrisico's die worden veroorzaakt door het inademen van stof dat ontstaat bij het werken met het gereedschap (bijvoorbeeld: werken met hout, vooral eikenhout, beukenhout en MDF.)

### Trilling en geluid

De in de technische gegevens en conformiteitsverklaring opgegeven waarden voor trillings- en geluidsemissie, zijn gemeten conform een standaardtestmethode die wordt verstrekt door EN62841 en kan worden gebruikt voor het vergelijken van het ene gereedschap met het andere. De aangegeven emissiewaarde voor trillingen en geluid kan ook worden gebruikt bij een voorlopige bepaling van blootstelling.

**WAARSCHUWING!** De waarde voor trillings- en geluidsemissie tijdens het werkelijke gebruik van het elektrisch gereedschap kan verschillen van de aangegeven waarde, afhankelijk van de manieren waarop het gereedschap wordt gebruikt. Het trillings- en geluidsniveau kan toenemen tot boven het aangegeven niveau.

Bij de beoordeling van de blootstelling aan trillingen met het doel vast te stellen welke veiligheidsmaatregelen 2002/44/EG vereist zijn ter bescherming van personen die tijdens hun werk regelmatig elektrisch gereedschap gebruiken, moet bij een inschatting van de blootstelling aan trillingen rekening worden gehouden met de werkelijke gebruiksomstandigheden en de manier waarop het gereedschap wordt gebruikt. Daarbij moet ook rekening worden gehouden met alle onderdelen van de bedrijfscyclus, zoals wanneer het gereedschap wordt uitgeschakeld en wanneer het gereedschap stationair loopt en ook de aanlooptijd.

### Etiketten op het gereedschap

Naast de datumcode is het gereedschap voorzien van de volgende symbolen:



**WAARSCHUWING!** Beperk het risico van letsel, de gebruiker moet de instructiehandleiding lezen.



Draag een veiligheidsbril of oogbescherming.



Draag gehoorbescherming.

### Elektrische veiligheid



Dit gereedschap is dubbel geïsoleerd. Een aardeaansluiting is daarom niet nodig. Controleer altijd dat de stroomvoorziening overeenkomt met de voltage op het typeplaatje.

- ◆ Als het netsnoer is beschadigd, moet dit worden vervangen door de fabrikant of door een officieel Stanley Fat Max-servicecentrum, zodat ongelukken worden voorkomen.

### Een verlengsnoer gebruiken

Gebruik altijd een goedgekeurd verlengsnoer dat geschikt is voor het ingangsvermogen van dit apparaat (zie de technische gegevens).

De verlengkabel moet geschikt zijn voor gebruik buitenshuis en dient als zodanig te zijn gemarkeerd. Er kan een H05VV-F verlengsnoer van 1,5 mm<sup>2</sup> van maximaal 30 m lang worden gebruikt zonder dat de prestaties van het apparaat afnemen. Controleer het verlengsnoer vóór gebruik op tekenen van beschadiging, slijtage of veroudering. Vervang het verlengsnoer als het beschadigd of defect is. Rol het snoer altijd volledig af, wanneer u een haspel gebruikt.

### Kenmerken

Dit gereedschap bevat enkele of alle van de volgende kenmerken.

1. Zijhandgreep

2. Schakelaar
3. Afdekking van de loep
4. SDS MAX boorkop
5. Opening voor inspuiting smeeroil

### Gebruik

**WAARSCHUWING!** Vóór het uitvoeren van de volgende werkzaamheden moet het gereedschap zijn uitgeschakeld en de stekker uit het stopcontact zijn getrokken.

### In- en uitschakelen (Afb. A)

- ◆ Schakel het gereedschap in door op de schakelaar (2) te drukken en de schakelaar in de stand 'AAN' te zetten.
- ◆ Stop het gereedschap door de schakelaar (2) naar de stand 'UIT' te draaien en los te laten.

### De zijhandgreep bevestigen (Afb. B)

De zijhandgreep (1) kan worden gemonteerd voor zowel rechts- als linkshandige gebruikers.

**WAARSCHUWING!** Gebruik het gereedschap zonder de zijhandgreep op de juiste manier gemonteerd.

- ◆ De zijhandgreep losdraaien.
- ◆ Voor rechtshandige gebruikers: Schuif de klem van de zijhendel over de kraag achter de gereedschapshouder, met de hendel aan de linkerkant. Voor linkshandige gebruikers: Schuif de klem van de zijhandgreep over de kraag achter de gereedschapshouder, met de hendel aan de rechterkant.
- ◆ Schuif de zijhandgreep naar de gewenste positie en zet de handgreep vast.

### SDS Max-accessoires plaatsen en verwijderen (Afb. C, D)

Dit gereedschap gebruikt SDS Max-accessoires (raadpleeg afbeelding D voor een dwarsdoorsnede van een SDS Max-boorschacht). We raden aan om alleen professionele accessoires te gebruiken.

- ◆ Reinig en smeer de boorschacht.
- ◆ Steek de boorschacht in de boorhouder/gereedschapsleuf (4).
- ◆ Duw de boor omlaag en draai het lichtjes tot het in de sleuven past.
- ◆ Trek aan de boor om te controleren dat deze goed vast zit. Om de hamerfunctie te gebruiken moet de boor enkele centimeter axiaal kunnen bewegen terwijl de boor in de gereedschapshouder vast zit.
- ◆ Trek om een boor te verwijderen de gereedschapshouder/vergrendelsleuf (4) achteruit, zoals wordt weergegeven op afbeelding C en trek de boor eruit.

**WAARSCHUWING!** Draag altijd handschoenen wanneer u accessoires wisselt. De blootgestelde metalen delen van het gereedschap en accessoires kunnen uitermate heet worden tijdens het gebruik.



## Afbikken en beitelen (Afb. E)

- ◆ Plaats de geschikte beitel (niet meegeleverd) in de juiste positie.
- ◆ Pas de zijhandgreep (1) aan, zoals vereist.
- ◆ Schakel het gereedschap in en start de werkzaamheden.
- ◆ Schakel het gereedschap altijd uit wanneer het werk voltooid is en voordat u de stekker uit het stopcontact trekt.
- ◆ Houd u altijd aan de veiligheidsinstructies en de geldende regelgeving.
- ◆ Houd rekening met de locatie van leidingwerk en bedrading.
- ◆ Oefen slechts lichte druk op het gereedschap uit (ongev. 5 kg). Te veel kracht zetten zal het beitelen niet versnellen maar de prestaties van het gereedschap slechter maken en mogelijk de levensduur verkorten.
- ◆ Houd het apparaat altijd met beide handen vast en blijf vooral stevig staan. Werk altijd met het gereedschap met de zijhandgreep op de juiste wijze gemonteerd.

## Juiste handpositie (Afb. F)

**WAARSCHUWING!** Houd uw handen ALTIJD in de juiste positie, zoals weergegeven, om het risico op ernstig persoonlijk letsel te verminderen.

**WAARSCHUWING!** Houd het gereedschap ALTIJD stevig vast om te anticiperen op een plotse reactie, om het risico op ernstig persoonlijk letsel te verminderen.

Voor de juiste positie van de handen moet u één hand op de zijhandgreep houden (1) en de andere hand op de hoofdhandgreep.

**WAARSCHUWING!** Gebruik dit gereedschap niet voor het mengen of verpompen van gemakkelijk ontbrandbare of explosieve vloeistoffen (benzine, alcohol, enz.). Meng of roer geen brandbare vloeistoffen die als zodanig zijn gelabeld.

## Accessoires

De prestaties van het gereedschap zijn afhankelijk van de gebruikte accessoires. Accessoires van Stanley Fat Max zijn vervaardigd volgens hoge kwaliteitsnormen en ontworpen met het doel de prestaties van uw gereedschap te verbeteren. Door deze accessoires te gebruiken kunt u het beste uit uw gereedschap halen.

## Onderhoud

Uw Stanley Fat Max apparaat/gereedschap met snoer/snoerloos is ontworpen om gedurende lange tijd te functioneren met een minimum aan onderhoud. Het continu naar tevredenheid functioneren hangt af van de juiste zorg voor het gereedschap en regelmatig schoonmaken.

**WAARSCHUWING!** U moet, voordat u onderhoud verricht aan elektrisch gereedschap met snoer/snoerloos elektrisch gereedschap:

- ◆ Schakel het gereedschap/apparaat uit en trek de stekker uit het stopcontact.
- ◆ Als het gereedschap/apparaat een aparte accu heeft, schakel dan het gereedschap/apparaat uit en neem de accu uit.
- ◆ Of ontlaaft de accu, als deze is ingebouwd, volledig en schakel vervolgens het gereedschap uit.
- ◆ Trek de stekker van de lader uit het stopcontact voor u de lader schoonmaakt. Behalve regelmatige reiniging vraagt de lader geen onderhoud.
- ◆ Reinig de ventilatieopeningen van het gereedschap/apparaat/lader regelmatig met een zachte borstel of droge doek.
- ◆ Reinig de behuizing van de motor regelmatig met een vochtige doek. Gebruik geen schuurmiddelen of schoonmaakmiddelen die op een oplosmiddel zijn gebaseerd.
- ◆ Open regelmatig de spankop (als deze is gemonteerd), tik erop en verwijder zo eventueel stof uit het binnenste.

## Vervanging van de stekker (alleen V.K. en Ierland)

Als er een nieuwe netstekker moet worden gemonteerd:

- ◆ Gooi de oude stekker op verantwoorde wijze weg.
- ◆ Sluit de bruine draad aan op de spanningvoerende pool in de nieuwe stekker.
- ◆ Sluit de blauwe draad aan op de niet-spanningvoerende pool.

**WAARSCHUWING!** Er moet geen verbinding tot stand worden gebracht met de aardeaansluiting. Volg de montage-instructies die bij stekkers van goede kwaliteit worden geleverd. Aanbevolen zekering: 10 A.

## Het milieu beschermen



Gescheiden afvalinzameling. Producten en accu's met dit symbool, mogen niet bij het normale huishoudafval worden weggegooid.

Producten en accu's bevatten materialen die kunnen worden teruggewonnen of gerecycled, wat de vraag naar grondstoffen doet afnemen.

Recycle elektrische producten en accu's overeenkomstig de plaatselijke richtlijnen. Nadere informatie is beschikbaar op [www.2helpU.com](http://www.2helpU.com)

**Technische gegevens**

SFMEH220 (Type 01)		
Spanning	V	230
Frequentie	Hz	50
Opgenomen vermogen	W	1010
Slagfrequentie	spm	2900
Slagkracht (EPTA / Max)	J	8,5
Boorkoptype		SDS Max
Gewicht	kg	6,3

Geluidsdruk niveau volgens EN62841:		
Geluidsdruk ( $L_{pA}$ )	dB(A)	95
Geluidsdruk onzekerheid ( $K_{pA}$ )	dB(A)	3
Geluidsvermogen ( $L_{wA}$ )	dB(A)	103
Geluidsvermogen onzekerheid ( $K_{wA}$ )	dB(A)	1,8
Waarde trillingsemissie ah (Beitelen):		
( $a_{h,CH10q}$ )	m/s <sup>2</sup>	14,3
Onzekerheid (K)	m/s <sup>2</sup>	1,5

**EG-conformiteitsverklaring**

MACHINERICHTLIJN



SFMEH220 Sloop hamer

Stanley Fat Max verklaart dat deze producten, die worden beschreven onder "Technische gegevens", voldoen aan: 2006/42/EG.

EN62841-1:2015+A11:2022, EN IEC62841-2-6:2020 +A11:2020. Deze producten zijn ook conform richtlijn 2014/30/EU en 2011/65/EU.

2000/14/EG, Elektrische betonbreekhamer (draagbaar), m ≤ 15 kg, Bijlage VI, DEKRA Rheinland LGA Products GmbH, Handwerkstraße 15, 70565 Stuttgart.

Locatie certificeringsorgaan, Dinnendahlstr. 9, 44809 Bochum, Duitsland, nummer erkende instantie: 0158 LWA (gemeten geluidsvermogensniveau) 103 dB(A), onzekerheid (K) = 1,8 dB (A), LWA (gegarandeerd geluidsvermogen) 105 dB(A). Neem voor meer informatie contact op met Stanley Fat Max op het volgende adres of raadpleeg de achterkant van de handleiding.

De ondergetekende is verantwoordelijk voor de samenstelling van het technisch bestand en legt deze verklaring af namens STANLEY FATMAX.

*Patrick Diepenbach*

Patrick Diepenbach General Manager, Benelux Stanley Fat Max, Egide Walschaertsstraat 14-18 2800 Mechelen, België  
12.30.2022

**Garantie**

Stanley Fat Max heeft vertrouwen in zijn producten en biedt consumenten een garantie van 12 maanden vanaf de datum van aankoop. Deze garantie is een aanvulling op uw wettelijke rechten en maakt op geen enkele wijze inbreuk daarop. De garantie is geldig op het grondgebied van de lidstaten van de Europese Unie, de Europese Vrijhandelszone en het Verenigd Koninkrijk.

Voor een garantie-aanspraak moet uw aanspraak in overeenstemming zijn met de Voorwaarden en Condities van Stanley Fat Max en moet u een bewijs van aankoop overleggen aan de verkoper of aan een geautoriseerde reparatiemonteur. Voorwaarden en condities van de 1-jarige garantie van Stanley Fat Max en het adres van de vestiging van het geautoriseerde reparatiecentrum bij u in de buurt, kunt u vinden op internet op [www.2helpU.com](http://www.2helpU.com), of door contact op te nemen met het Stanley Fat Max-kantoor ter plaatse, op het adres dat in deze handleiding wordt vermeld.

Ga naar onze website [www.stanley.eu/3](http://www.stanley.eu/3) om uw nieuwe Stanley Fat Max-product te registreren informatie over nieuwe producten en speciale aanbiedingen te ontvangen.

**Informatie over milieubescherming**

Bij Stanley Black & Decker blijft onze toewijding aan uitmuntendheid op het vlak van milieu en duurzaamheid, centraal staan tijdens de levensduur van onze producten. De verpakking van uw product moet goed beheerd worden (de materiaalcode nakijken) wanneer u beslist om deze weg te gooien, controleer dit dus bij uw lokale gemeenschap/ gemeentebestuur voor richtlijnen inzake afvalbeheer. Materialen van onze elektrische producten en onderdelen zoals batterijen, bevatten belangrijke grondstoffen en moeten op het einde van hun levensduur ook juist beheerd worden. Ze kunnen naar een officieel inzamelcentrum of een deelnemende handelaar gebracht worden. De bedienings- of veiligheidsinstructies mogen alleen weggegooid worden wanneer het product waar ze bij horen niet langer in gebruik is. Scan de QR-code voor meer informatie.

**StanleyBlack&Decker**





## Uso previsto

El martillo demolidor SFMEH220 de STANLEYFATMAX® ha sido diseñado para aplicaciones ligeras o medianas de burilado, cincelado y demolición en hormigón, ladrillo y mampostería. Esta herramienta está destinada a uso profesional y a uso privado no profesional.

## Instrucciones de seguridad

### Advertencias de seguridad para herramientas eléctricas en general



**¡ADVERTENCIA!** Lea todas las advertencias de seguridad, instrucciones, ilustraciones y especificaciones suministradas junto con esta herramienta eléctrica. En caso de no atenerse a las siguientes advertencias e instrucciones de seguridad, podría producirse una descarga eléctrica, incendio o lesiones graves.

**Guarde todas las advertencias e instrucciones para poder consultarlas con posterioridad.** El término "herramienta eléctrica" que aparece en todas las advertencias que aparecen a continuación se refiere a la herramienta eléctrica que funciona a través de la red eléctrica (con cable) o a la herramienta eléctrica que funciona con batería (sin cable).

#### 1. Seguridad en el área de trabajo

- Mantenga limpia y bien iluminada el área de trabajo.** Las áreas en desorden u oscuras pueden provocar accidentes.
- No utilice herramientas eléctricas en entornos con peligro de explosión, como aquellos en los que haya líquidos, gases o polvos inflamables.** Las herramientas eléctricas originan chispas que pueden inflamar el polvo o los gases.
- Mantenga alejados del área de trabajo a los niños y a otras personas cuando emplee una herramienta eléctrica.** Las distracciones pueden causar la pérdida del control de la herramienta.

#### 2. Seguridad eléctrica

- El enchufe de la herramienta eléctrica debe corresponder a la toma de corriente. No modifique nunca el enchufe de ninguna forma. No utilice ningún enchufe adaptador con las herramientas eléctricas conectadas a tierra (puestas a masa).** Los enchufes no modificados y las tomas de corriente correspondientes reducen el riesgo de descarga eléctrica.
- Evite que su cuerpo toque partes conectadas o puestas a tierra tales como tuberías, radiadores, cocinas y refrigeradores.**

Existe un mayor riesgo de descarga eléctrica si su propio cuerpo está conectado a tierra.

- No exponga las herramientas eléctricas a la lluvia ni la humedad.** Si entra agua en una herramienta eléctrica, aumenta el riesgo de descarga eléctrica.
- Cuide el cable de alimentación. No use nunca el cable para transportar, tirar de la herramienta eléctrica o desenchufarla. Mantenga el cable alejado del calor, aceite, cantos afilados y piezas en movimiento.** Los cables dañados o enredados aumentan el riesgo de descarga eléctrica.
- Al trabajar con la herramienta eléctrica en la intemperie utilice solamente cables de prolongación homologados para su uso en exteriores.** La utilización de un cable adecuado para el uso en exteriores reduce el riesgo de descarga eléctrica.
- Si la utilización de una herramienta eléctrica en un lugar húmedo es inevitable, utilice una fuente protegida con un dispositivo diferencial residual (DDR).** El uso de un DDR reduce el riesgo de descarga eléctrica.

#### 3. Seguridad personal

- Esté atento a lo que hace y emplee la herramienta eléctrica con prudencia. No utilice una herramienta eléctrica cuando esté cansado o bajo los efectos de drogas, medicamentos o alcohol.** Un momento de falta de atención cuando se manejan las herramientas eléctricas puede ocasionar lesiones personales graves.
- Utilice un equipo de protección individual. Utilice siempre protección ocular.** El uso de equipo de protección como mascarillas antipolvo, calzado de seguridad antideslizante, casco de seguridad o protección auditiva para las condiciones apropiadas reduce las lesiones personales.
- Impida que la herramienta se ponga en marcha accidentalmente. Asegúrese de que el interruptor esté en posición de apagado antes de conectar con la fuente de alimentación y/o la batería, de levantar o transportar la herramienta.** El transportar herramientas eléctricas con el dedo puesto en el interruptor o herramientas eléctricas activadoras que tengan el interruptor encendido puede provocar accidentes.
- Retire las herramientas de ajuste o llaves fijas antes de conectar la herramienta eléctrica.** Si se deja puesta una llave inglesa u otra llave en una pieza en movimiento de la herramienta eléctrica pueden ocasionarse lesiones personales.
- Sea precavido. Mantenga un equilibrio adecuado y la estabilidad constantemente.** Esto permite un mejor control de la herramienta eléctrica en situaciones inesperadas.
- Lleve puesta una vestimenta de trabajo adecuada.**

**No se ponga ropa suelta o joyas. Mantenga el cabello y la ropa alejados de las piezas móviles.** La ropa suelta, las joyas y el pelo largo pueden quedar atrapados en las piezas en movimiento.

- g. Siempre que sea posible utilizar unos equipos de aspiración o captación de polvo, asegúrese de que estén montados y de utilizarlos correctamente.** El uso de equipo de recogida de polvo puede reducir los riesgos relacionados con el polvo.
- h. No permita que la familiaridad adquirida por el uso frecuente de las herramientas le hagan confiarse demasiado e ignorar los principios de seguridad de las herramientas.** Una acción descuidada puede causar lesiones graves en una fracción de segundo.

**4. Uso y cuidado de la herramienta eléctrica**

- a. No sobrecargue la herramienta eléctrica. Use la herramienta eléctrica correcta para su trabajo.**  
La herramienta eléctrica correcta funcionará mejor y con mayor seguridad si se utiliza de acuerdo con sus características técnicas.
- b. No utilice la herramienta eléctrica si no la puede encender y apagar con el interruptor.** Toda herramienta eléctrica que no pueda controlarse con el interruptor es peligrosa y debe ser reparada.
- c. Desconecte el enchufe de la fuente de alimentación y/o extraiga la batería de la herramienta eléctrica, si es desmontable, antes de realizar ajustes, cambiar accesorios o guardar las herramientas eléctricas.**  
Dichas medidas de seguridad preventivas reducen el riesgo de poner en marcha accidentalmente la herramienta eléctrica.
- d. Guarde las herramientas eléctricas fuera del alcance de los niños y no permita que la utilicen las personas no familiarizadas con su uso o con estas instrucciones.** Las herramientas eléctricas son peligrosas en manos de personas no capacitadas.
- e. Realice el mantenimiento de sus herramientas eléctricas y accesorios. Compruebe que las piezas móviles no estén desalineadas ni atascadas, que no haya piezas rotas y cualquier otra condición que pudiera afectar al funcionamiento de la herramienta eléctrica. Si la herramienta eléctrica está dañada, hágala reparar antes de utilizarla.** Muchos accidentes se producen por el mal mantenimiento de las herramientas eléctricas.
- f. Mantenga las herramientas de corte limpias y afiladas.** Hay menos probabilidades de que las herramientas de corte con filo se bloqueen, y son más fáciles de controlar.

- g. Utilice la herramienta eléctrica, los accesorios, los útiles de la herramienta, etc. de acuerdo con estas instrucciones, y tenga en cuenta las condiciones de trabajo y la tarea que va a realizar.**

El uso de la herramienta eléctrica para operaciones que no sean las previstas puede ocasionar una situación peligrosa.

- h. Mantenga las empuñaduras y las superficies de agarre secas, limpias y libres de aceite y grasa.** Las empuñaduras resbaladizas y las superficies engrasadas impiden aferrar y controlar la herramienta en situaciones imprevistas.

**5. Reparaciones**

- a. Haga reparar esta herramienta eléctrica solo por personal técnico autorizado que emplee exclusivamente piezas de repuesto originales.** Así se asegurará que se mantenga la seguridad de la herramienta eléctrica.

**Advertencias de seguridad para martillos**

**Instrucciones de seguridad para todas las operaciones**

- ◆ **Póngase protección acústica.** La exposición al ruido puede provocar pérdida auditiva.
- ◆ **Utilice las empuñaduras auxiliares, si han sido suministradas con la herramienta.** La pérdida de control puede provocar lesiones personales.
- ◆ **Sujete la herramienta eléctrica por las superficies de agarre aisladas cuando realice una operación en la que la herramienta de corte pueda entrar en contacto con cables ocultos o con su propio cable.** El contacto de los accesorios de corte con un cable cargado, puede cargar las partes metálicas expuestas de la herramienta eléctrica y producir una descarga eléctrica al operador.

**Instrucciones de seguridad adicionales para martillos**

- ◆ **Utilice fijaciones o cualquier otro método para apoyar y fijar la pieza de trabajo en una plataforma estable.** Si sostiene el trabajo con las manos o con su cuerpo estará inestable y podrá hacer que pierda el control.
- ◆ **Póngase gafas de seguridad u otro tipo de protección ocular.** Las operaciones de percusión provocan el vuelo de astillas. Las partículas volantes pueden provocar daños oculares permanentes. Póngase una máscara antipolvo o un respirador cuando realice trabajos que generen polvo. Puede que se necesite protección acústica para la mayoría de las aplicaciones.
- ◆ **Tenga bien aferrada la herramienta en todo momento. No intente operar esta herramienta sin sostenerla con ambas manos.**

**Se recomienda usar siempre la empuñadura lateral.**

La operación de esta herramienta con una sola mano provocará la pérdida de control. Del mismo modo, el traspaso o el choque con materiales duros como las barras también pueden resultar peligrosos. Apriete el asa lateral con firmeza antes del uso.

- ◆ **No utilice esta herramienta durante largos periodos de tiempo.**

Las vibraciones provocadas por la acción del taladro pueden resultar dañinas para sus brazos y manos. Utilice guantes para ofrecer una protección adicional y limite la exposición haciendo pausas frecuentes.

- ◆ **No reacondicione las brocas usted mismo.** El reacondicionamiento de los cinceles

debe ser realizado por un especialista autorizado. El reacondicionamiento incorrecto de los cinceles puede causar lesiones.

- ◆ **Use guantes cuando utilice la herramienta o cambie las brocas.**

Las piezas metálicas accesibles de la herramienta y las brocas alcanzan temperaturas extremadamente altas durante el funcionamiento. Las brocas pequeñas o el material roto podrán dañar las manos desnudas.

- ◆ **No apoye la herramienta eléctrica hasta que la broca se haya**

**detenido completamente.** Las brocas en movimiento pueden causar lesiones.

- ◆ **No golpee las brocas atascadas con un martillo para desatascarlas.** Los fragmentos de metal o las astillas de material pueden desatascarse y

causar lesiones.

- ◆ **Los buriles ligeramente desgastados pueden volverse a afilar con la amoladora.**

- ◆ **Mantenga el cable de alimentación alejado de la broca giratoria. No se envuelva el cable alrededor de ninguna parte del cuerpo.** Si el cable eléctrico se enrolla alrededor de una broca giratoria puede causar lesiones personales y pérdida de control.

**Seguridad de otras personas**

- ◆ Este aparato no ha sido concebido para ser utilizado por personas (incluidos los niños) con capacidades físicas, sensoriales o mentales reducidas, o que carezcan de experiencia o del conocimiento necesario, salvo que estén supervisadas o que reciban las instrucciones relativas al uso del aparato por una persona encargada de su seguridad.
- ◆ Los niños deben vigilarse en todo momento para asegurarse de que no jueguen con el aparato.

**Riesgos residuales**

Puede haber riesgos residuales al usar la herramienta, que no pueden incluirse en las advertencias de seguridad adjuntas. Tales

riesgos pueden derivarse del uso incorrecto, demasiado prolongado, etc.

Aunque se apliquen las normas de seguridad y se implementen las medidas de seguridad correspondientes, no se pueden evitar ciertos riesgos residuales. Dichos riesgos incluyen:

- ◆ Lesiones producidas por el contacto con piezas móviles o giratorias.
- ◆ Lesiones causadas al cambiar piezas, hojas o accesorios.
- ◆ Lesiones causadas por el uso prolongado de una herramienta. Cuando utilice una herramienta durante periodos de tiempo demasiado prolongados, asegúrese de realizar pausas con frecuencia.
- ◆ Deterioro auditivo.
- ◆ Peligros para la salud causados por la respiración del polvo generado al usar la herramienta (por ejemplo, al trabajar con madera, especialmente roble, haya y tablero semiduro de fibras).

**Vibración y ruido**

Los valores de emisión de vibraciones declarados en el apartado de características técnicas y en la declaración de conformidad han sido calculados según un método de prueba estándar proporcionado por la norma EN62841 y pueden utilizarse para comparar una herramienta con otra.

El valor declarado de emisión de las vibraciones también se puede usar en una evaluación preliminar de la exposición.

**¡ADVERTENCIA!** El valor de emisión de vibraciones y ruido durante el funcionamiento real de la herramienta eléctrica puede diferir del valor declarado en función de cómo se utilice la herramienta. El nivel de las vibraciones y ruido puede aumentar por encima del nivel declarado.

Al evaluar la exposición a las vibraciones con el fin de determinar las medidas de seguridad que exige la directiva 2002/44/CE para proteger a las personas que utilizan periódicamente herramientas eléctricas en el entorno laboral, deberá tenerse en cuenta una estimación de la exposición a las vibraciones, las condiciones de uso reales y el modo de empleo de la herramienta, así como los pasos del ciclo operativo como, por ejemplo, el número de veces que la herramienta se apaga, el tiempo que está parada y el tiempo de activación.

**Etiquetas en la herramienta**

Junto con el código de la fecha, en la herramienta aparecen los siguientes pictogramas:



¡**ADVERTENCIA!** Para reducir el riesgo de lesiones, el usuario debe leer el manual de instrucciones.



Utilice gafas de seguridad.



Use protección auditiva.

## Seguridad eléctrica



Esta herramienta lleva un doble aislamiento; por lo tanto, no requiere puesta a tierra. Compruebe siempre que el voltaje suministrado corresponda al indicado en la placa de características.

- ◆ Si se dañara el cable de alimentación, deberá ser sustituido por el fabricante o un centro de asistencia técnica autorizado de Stanley Fat Max para evitar cualquier situación de riesgo.

## Utilización de un cable de prolongación

Utilice siempre un cable de prolongación adecuado para la entrada de corriente de este aparato (consulte la ficha técnica).

El cable de prolongación debe ser adecuado para su uso en exteriores y presentar las indicaciones oportunas. Se puede utilizar un cable de prolongación H05VV-F de 1.5 mm<sup>2</sup> y de hasta 30 m sin pérdida de rendimiento del producto. Antes de utilizar el cable de prolongación, compruebe que no esté dañado, gastado o deteriorado. Si está dañado o defectuoso, sustitúyalo. Si utiliza un carrete de cable, desenrolle siempre el cable completamente.

## Características

Esta herramienta incluye todas o algunas de las características siguientes.

1. Empuñadura lateral
2. Interruptor
3. Revestimiento del barril
4. Mandril SDS MAX
5. Entrada de aceite lubricante de inyección

## Uso

¡**ADVERTENCIA!** Antes de llevar a cabo cualquiera de las siguientes operaciones, asegúrese de que la herramienta está apagada y desenchufada.

## Encendido y apagado (Fig. A)

- ◆ Para hacer funcionar la herramienta, pulse el interruptor (2) y gírelo hacia la posición de encendido.

- ◆ Para detener la herramienta, gire el interruptor (2) hacia la posición de apagado y suéltelo.

## Montaje de la empuñadura lateral (Fig. B)

La empuñadura lateral (1) puede posicionarse tanto para usuarios diestros como para usuarios zurdos.

¡**ADVERTENCIA!** No utilice la herramienta si no tiene la empuñadura lateral colocada correctamente.

- ◆ Afloje la empuñadura lateral.
- ◆ Para usuarios diestros: Deslice el perno de sujeción de la empuñadura lateral por el collarín que está detrás del portaherramientas, empuñadura a la izquierda. Para usuarios zurdos: Deslice el perno de sujeción de la empuñadura lateral por el collarín que está detrás del portaherramientas, empuñadura a la derecha.
- ◆ Gire la empuñadura lateral hacia la posición que desee y apriétela.

## Colocación y extracción de accesorios SDS Max (Fig. C, D)

Esta herramienta utiliza los accesorios SDS Max (consulte la figura D para ver la sección transversal de un vástago de una broca SDS Max). Recomendamos usar solo accesorios profesionales.

- ◆ Limpie y engrase el vástago de la broca.
- ◆ Inserte el vástago de la broca en el portaherramienta/manguito (4).
- ◆ Empuje la broca hasta el fondo y gírela un poco hasta que encaje en las ranuras.
- ◆ Tire de la broca para comprobar que esté bien sujeta. La función de martillo requiere que la broca pueda moverse axialmente varios centímetros cuando esté bloqueada en el portaherramienta.
- ◆ Para extraer una broca, tire hacia atrás del portaherramientas/manguito de bloqueo (4), como se ilustra en la figura C, y saque la broca.

¡**ADVERTENCIA!** Use SIEMPRE guantes cuando cambie los accesorios. Las piezas metálicas expuestas de la herramienta y los accesorios pueden alcanzar temperaturas extremadamente altas durante el funcionamiento.

## Astillar y cincelar (Fig. E)

- ◆ Inserte el cincel apropiado (no suministrado) en la posición correcta.
- ◆ Ajuste la empuñadura lateral (1) según sea necesario.
- ◆ Encienda la herramienta y empiece a trabajar.
- ◆ Apague siempre la herramienta cuando termine el trabajo y antes de desenchufarla.
- ◆ Respete siempre las instrucciones de seguridad y las normas aplicables.

- ◆ Tenga cuidado con la ubicación de las tuberías y el cableado.
- ◆ Ejerza poca presión sobre la herramienta (aprox. 5 kg). La fuerza excesiva no acelera el cincelado, sino que disminuye el rendimiento de la herramienta y puede acortar su vida útil.
- ◆ Sujete siempre la herramienta con ambas manos y compruebe que esté posicionada en modo seguro. Utilice siempre la herramienta con la empuñadura lateral correctamente montada.

- ◆ Limpie periódicamente las ranuras de ventilación de la herramienta/aparato/cargador con un cepillo suave o un paño seco.
- ◆ Limpie periódicamente la carcasa del motor con un paño húmedo. No utilice limpiadores abrasivos o a base de disolventes.
- ◆ Abra periódicamente el mandril y golpéelo suavemente para eliminar los restos de polvo que tenga en su interior (si está colocado).

## Posición correcta de las manos (Fig. F)

¡**ADVERTENCIA!** Para reducir el riesgo de lesiones personales graves, mantenga SIEMPRE las manos en la posición correcta que se muestra.

¡**ADVERTENCIA!** Para reducir el riesgo de lesiones personales graves, sujete SIEMPRE bien la herramienta para anticiparse a cualquier reacción repentina.

La posición correcta de las manos es con una mano apoyada en la empuñadura lateral

(1), y con la otra, en la empuñadura principal.

¡**ADVERTENCIA!** No use esta herramienta para mezclar o bombear fácilmente líquidos combustibles o explosivos (bencina, alcohol, etc.).

No mezcle ni difunda líquidos inflamables etiquetados como tal.

## Accesorios

El rendimiento de la herramienta dependerá del accesorio que utilice. Los accesorios Stanley Fat Max se han fabricado siguiendo estándares de alta calidad y se han diseñado para mejorar el funcionamiento de la herramienta. Al utilizar estos accesorios, conseguirá el máximo rendimiento de la herramienta.

## Mantenimiento

Su aparato/herramienta eléctrico/a con/sin cable Stanley Fat Max se ha diseñada/o para funcionar durante mucho tiempo con un mantenimiento mínimo. El funcionamiento satisfactorio y continuo depende del buen cuidado de la herramienta y de una limpieza frecuente.

¡**ADVERTENCIA!** Antes de realizar cualquier tarea de mantenimiento en herramientas eléctricas con cable/sin cable:

- ◆ Apague y desenchufe el aparato/herramienta.
- ◆ O bien, apague y extraiga la batería del aparato/herramienta en caso de que tenga una batería independiente.
- ◆ O bien deje que la batería se agote por completo, si es en una pieza, y, a continuación, apague el aparato.
- ◆ Desenchufe el cargador antes de limpiarlo. El cargador no requiere ningún mantenimiento especial excepto la limpieza periódica.

## Sustitución del enchufe de red (solo para el Reino Unido e Irlanda)

Si debe colocarse un nuevo enchufe de red:

- ◆ Deseche el enchufe viejo de forma segura.
- ◆ Conecte el cable marrón al terminal conductor del nuevo enchufe.
- ◆ Conecte el cable azul al terminal neutro.

¡**ADVERTENCIA!** No debe realizar ninguna conexión con el terminal de tierra. Siga las instrucciones de montaje incluidas con los enchufes de buena calidad. Fusible recomendado: 10 A.

## Protección del medioambiente



Recogida selectiva. Los productos y las baterías marcadas con este símbolo no deben eliminarse junto con los residuos domésticos normales.

Los productos y las baterías que contienen materiales que se puedan recuperar o reciclar reducen la demanda de materias primas.

Recicle los productos eléctricos y las baterías de conformidad con las normas locales. Puede obtener más información en [www.2helpU.com](http://www.2helpU.com)

## Datos técnicos

		SFMEH220 (Tipo 01)
Tensión	V	230
Frecuencia	Hz	50
Potencia de entrada	W	1010
Frecuencia de impacto	bpm	2900
Energía de impacto (EPTA / Máx.)	J	8,5
Tipo de mandril		SDS Max
Peso	kg	6,3

Nivel de presión acústica de acuerdo con la directiva EN62841:		
Presión acústica ( $L_{pA}$ )	dB(A)	95
Incertidumbre de presión acústica ( $K_{pA}$ )	dB(A)	3
Potencia acústica ( $L_{WA}$ )	dB(A)	103
Incertidumbre de potencia acústica ( $K_{WA}$ )	dB(A)	1,8

Valor de emisión de vibraciones ah (cincelado):		
( $a_{h,CHet}$ )	m/s <sup>2</sup>	14,3
Incertidumbre (K)	m/s <sup>2</sup>	1,5

## Declaración de conformidad CE

DIRECTIVA DE MÁQUINAS



Martillo demolidor SFMEH220

Stanley Fat Max declara que los productos descritos en "Datos técnicos" cumplen las siguientes normas: 2006/42/CE.

EN62841-1:2015+A11:2022, EN IEC62841-2-6:2020

+A11:2020. Estos productos también cumplen las Directivas 2014/30/UE y 2011/65/UE.

Martillo rompedor eléctrico de hormigón (manual), conforme a la directiva 2000/14/CE,  $m \leq 15$  kg, Anexo VI, DEKRA Testing and Certification GmbH, Handwerkstraße 15, 70565 Stuttgart.

Ubicación del organismo de certificación, Dinnendahlstr.

9, 44809 Bochum, Alemania N.1 del organismo notificado: 0158 LWA (nivel de potencia acústica medido) 103 dB(A), incertidumbre (K) = 1,8 dB (A), LWA (potencia acústica garantizada) 105 dB(A). Para más información, póngase en contacto con Stanley Fat Max dirigiéndose a la siguiente dirección o consulte la parte posterior del manual. El

abajo firmante es el responsable de la elaboración de la documentación técnica y expide la presente declaración en nombre y representación de Stanley Fatmax.

*Patrick Diepenbach*

Patrick Diepenbach  
Director General,

Benelux Stanley Fat Max,  
Egide Walschaertsstraat  
14-18, 2800 Mechelen, Bélgica  
12.30.2022

Para reclamar la garantía, deberá formular la reclamación de conformidad con las condiciones de Stanley Fat Max, presentando el comprobante de compra al vendedor o al agente técnico autorizado.

Puede obtener las condiciones de la garantía de 1 año de Stanley Fat Max y la ubicación de su agente técnico autorizado más próximo en el sitio [www.2helpU.com](http://www.2helpU.com) o poniéndose en contacto con su oficina local de Stanley Fat Max en la dirección que se indica en este manual.

Visite nuestro sitio web [www.stanley.eu/3](http://www.stanley.eu/3) para registrar su nuevo producto Stanley Fat Max para mantenerse al día sobre los nuevos productos y las ofertas especiales.

### Información sobre protección medioambiental

En Stanley Black & Decker estamos comprometidos en alcanzar la excelencia medioambiental y la sostenibilidad a lo largo de todo el ciclo de vida de nuestros productos, y esto es fundamental para nuestra compañía. Cuando decida deshacerse del embalaje de su producto, deberá hacerlo correctamente (comprobando el código del material); para ello, solicite información en su comunidad / municipio local sobre la gestión de residuos. Los materiales de nuestros productos y componentes eléctricos, como las baterías, contienen materias primas importantes y también deben gestionarse correctamente cuando llegan al final de su vida útil. Tales materiales pueden llevarse a un centro oficial de recogida de residuos o a un minorista que participe del programa de recogida. Las instrucciones de uso y seguridad deberían eliminarse solo después de dejar de usar el producto al que se refieren. Escanee el código QR para más información.

**StanleyBlack&Decker**



### Garantía

Stanley Fat Max confía en la calidad de sus productos y ofrece a los consumidores una garantía de 12 meses a partir de la fecha de compra.

Esta garantía es adicional a sus derechos legales y no los menoscaba en modo alguno.

La garantía es válida en los territorios de los Estados Miembros de la Unión Europea, el Área de Libre Comercio Europea y Reino Unido.



**Utilização prevista** O martelo demolidor SFMEH220 da STANLEY FATMAX® foi concebido para raspagem ligeira ou média, cinzelagem e demolição em betão, tijolo e alvenaria. Esta ferramenta destina-se a utilização profissional, bem como a utilizadores não profissionais.

## Instruções de segurança

### Avisos de segurança gerais sobre ferramentas eléctricas



**ATENÇÃO!** Leia todos os avisos de segurança, instruções, ilustrações e especificações fornecidos com esta ferramenta eléctrica. O não cumprimento dos seguintes avisos e instruções pode resultar em choque eléctrico, incêndio e/ou ferimentos graves.

**Guarde todos os avisos e instruções para futura referência.** O termo "ferramenta eléctrica" utilizado a seguir refere-se a ferramentas eléctricas com ligação à corrente eléctrica (com cabo) ou com bateria (sem cabo).

#### 1. Segurança na área de trabalho

- Mantenha a área de trabalho limpa e bem iluminada.** As áreas desorganizadas ou escuras são propensas a acidentes.
- Não trabalhe com ferramentas eléctricas em áreas com risco de explosão, nas quais se encontrem líquidos, gases ou pó inflamáveis.** As ferramentas eléctricas criam faíscas que podem inflamar estes pó ou vapores.
- Mantenha as crianças e outras pessoas afastadas durante a utilização da ferramenta eléctrica.** As distrações podem causar perda do controlo.

#### 2. Segurança eléctrica

- As fichas da ferramenta eléctrica devem encaixar na tomada. Nunca modifique a ficha de forma alguma. Não utilize fichas adaptadoras com ferramentas eléctricas ligadas à terra.** As fichas não modificadas e as tomadas compatíveis reduzem o risco de choque eléctrico.
- Evite que o corpo entre em contacto com superfícies ligadas à terra, como tubos, radiadores, fogões e frigoríficos.** Se o seu corpo estiver "ligado" à terra, o risco de choque eléctrico é maior.
- As ferramentas eléctricas não podem ser expostas a chuva ou a humidade.** A entrada de água numa ferramenta eléctrica aumenta o risco de choque eléctrico.
- Manuseie o cabo com cuidado. Nunca o utilize para transportar, puxar ou desligar a ferramenta eléctrica.**

**Mantenha o cabo afastado de fontes de calor, óleo, arestas afiadas ou peças móveis.** Os cabos danificados ou emaranhados aumentam o risco de choque eléctrico.

- Quando trabalhar com uma ferramenta eléctrica ao ar livre, utilize uma extensão adequada para essa tarefa.** A utilização de um cabo adequado para uso ao ar livre reduz o risco de choque eléctrico.
  - Se for inevitável trabalhar com uma ferramenta eléctrica num local húmido, utilize um dispositivo diferencial residual (DDR).** A utilização de um DDR reduz o risco de choque eléctrico.
- #### 3. Segurança pessoal
- Esteja atento, preste atenção ao que está a fazer e seja prudente quando trabalhar com uma ferramenta eléctrica. Não utilize uma ferramenta eléctrica se estiver cansado ou sob o efeito de drogas, álcool ou medicamentos.** Um momento de distração durante a utilização de ferramentas eléctricas pode resultar em ferimentos graves.
  - Utilize equipamento de protecção individual. Use sempre protecção ocular.** O equipamento de protecção, como, por exemplo, uma máscara de poeiras, sapatos de segurança antiderrapantes, um capacete de segurança ou uma protecção auditiva, utilizado nas condições adequadas, reduz o risco de ferimentos.
  - Evite arranques involuntários. O gatilho deve estar desligado antes de ligar a ferramenta à corrente eléctrica e/ou as baterias e antes de levantar ou transportar a ferramenta.** Se mantiver o dedo carregado no gatilho quando transportar ferramentas eléctricas ou se ligá-las à fonte de alimentação com o gatilho ligado, isso pode dar origem a acidentes.
  - Retire eventuais chaves de ajuste ou chaves de fendas antes de ligar a ferramenta eléctrica.** Uma chave de fendas ou de ajuste montada numa parte rotativa da ferramenta eléctrica pode causar ferimentos.
  - Não tente chegar a pontos fora do alcance. Mantenha sempre os pés bem apoiados e um equilíbrio adequado.** Assim, é mais fácil controlar a ferramenta eléctrica em situações inesperadas.
  - Use vestuário adequado. Não use roupa larga ou jóias. Mantenha o cabelo e a roupa afastados das peças móveis.** As roupas largas, as jóias ou o cabelo comprido podem ficar presos nestas peças.
  - Se estiver prevista a montagem de dispositivos de extracção e recolha de pó, assegure-se de que estão ligados e que são utilizados de forma correcta.** A utilização de dispositivos de extracção de pó pode reduzir os riscos relacionados com o pó.

- h. Não permita que a experiência obtida pela utilização frequente das ferramentas lhe permita ter uma atitude complacente e ignorar os princípios de segurança da ferramenta.** Uma acção descuidada pode causar ferimentos graves numa fracção de segundo.
- 4. Utilização e manutenção da ferramenta eléctrica**
- a. Não sobrecarregue a ferramenta eléctrica. Utilize a ferramenta eléctrica correcta para o seu trabalho.** A ferramenta eléctrica adequada efectua o trabalho de maneira mais eficiente e segura se for utilizada de acordo com a capacidade para a qual foi concebida.
- b. Não utilize a ferramenta eléctrica se não conseguir ligar ou desligar o gatilho.** Qualquer ferramenta eléctrica que não possa ser controlada através do gatilho é perigosa e tem de ser reparada.
- c. Retire a ficha da tomada de electricidade e/ou retire a bateria da ferramenta eléctrica, caso seja desmontável, antes de efectuar quaisquer ajustes, substituir acessórios ou guardar ferramentas eléctricas.** Estas medidas de segurança preventivas reduzem o risco de ligar a ferramenta eléctrica acidentalmente.
- d. Mantenha as ferramentas eléctricas que não estiverem a ser utilizadas fora do alcance das crianças. Não permita que a ferramenta eléctrica seja utilizada por pessoas não familiarizadas com a mesma ou que não tenham lido estas instruções.** As ferramentas eléctricas são perigosas se forem utilizadas por pessoas que não possuam as qualificações necessárias para manuseá-las.
- e. Manutenção de ferramentas eléctricas e acessórios. Verifique se as partes móveis estão desalinhasadas ou bloqueadas, se existem peças partidas ou qualquer outra situação que possa afectar o funcionamento da ferramenta eléctrica. Se a ferramenta eléctrica estiver danificada, esta só deve ser utilizada depois de ser reparada.** Muitos acidentes têm como principal causa ferramentas eléctricas com uma manutenção insuficiente.
- f. Mantenha as ferramentas de corte afiadas e limpas.** As ferramentas de corte sujeitas a uma manutenção adequada, com arestas de corte afiadas, bloqueiam com menos frequência e são controladas mais facilmente.
- g. Utilize a ferramenta eléctrica, acessórios e peças de ferramenta de acordo com estas instruções, considerando as condições de trabalho e a tarefa a ser executada.** A utilização da ferramenta eléctrica para fins diferentes dos previstos pode resultar em situações perigosas.

- h. Mantenha as pegas e superfícies de fixação secas, limpas e sem óleo e massa lubrificante.** Punhos e superfícies de fixação escorregadios não permitem o manuseamento e o controlo seguros em situações inesperadas.

**5. Assistência**

- a. A ferramenta eléctrica deve ser reparada por pessoal qualificado e só devem ser colocadas peças sobresselentes idênticas.** Assim, é garantida a segurança da ferramenta eléctrica.

**Avisos de segurança sobre o martelo**

**Instruções de segurança para todas as operações**

- ◆ **Use protecção auditiva.** A exposição ao ruído pode causar perda auditiva.
- ◆ **Utilize os punhos auxiliares fornecidos com a ferramenta.** A perda de controlo pode causar ferimentos.
- ◆ **Segure a ferramenta eléctrica pelas áreas de fixação isoladas quando executar uma operação em que o acessório de corte entre em contacto com cablagem escondida ou o próprio cabo.** O acessório de corte que entre em contacto com um fio com tensão eléctrica pode fazer com que as peças de metal expostas da ferramenta conduzam electricidade e electrocitem o utilizador.

**Instruções de segurança adicionais para martelos**

- ◆ **Utilize grampos ou outro sistema prático para apoiar e fixar a peça de trabalho numa plataforma estável.** Segurar a peça com a mão ou contra o corpo pode causar instabilidade e perda de controlo.
- ◆ **Use óculos de segurança ou outra protecção ocular.** As operações com o martelo podem causar a projecção de aparas. As partículas projectadas podem causar danos oculares permanentes. Use uma máscara de poeiras ou respiratória para proteger-se de aplicações que produzam pó. Pode ser necessário utilizar protecção auricular para a maioria das aplicações.
- ◆ **Segure a ferramenta sempre com firmeza. Não utilize esta ferramenta sem segurá-la com ambas as mãos. É recomendável utilizar sempre a pega lateral.** A utilização desta ferramenta resulta em perda de controlo. Também pode ser perigoso perfurar ou detectar materiais duros, tais como barras de reforço. Aperte a pega lateral em segurança antes de utilizar o martelo.
- ◆ **Não utilize esta ferramenta durante longos períodos de tempo.** A vibração causada pela acção do martelo pode ser prejudicial às suas mãos e braços. Use luvas para proporcionar uma protecção adicional e limite a exposição, fazendo pausas frequentes.



- ◆ **Não repare as brocas.** A reparação dos cinzéis deve ser efectuada por um especialista autorizado. Se forem reparados incorrectamente, os cinzéis podem dar origem a ferimentos.
- ◆ **Use luvas quando utilizar a ferramenta ou substituir as brocas.** As peças metálicas acessíveis na ferramenta e as brocas podem ficar muito quentes durante o funcionamento. As partículas de material partido podem causar ferimentos nas mãos.
- ◆ **Só deve pousar a ferramenta quando a broca parar por completo.** As brocas em movimento podem causar ferimentos.
- ◆ **Se as brocas ficarem encravadas, não utilize um martelo para tentar retirá-las.** Os fragmentos de metal ou de material podem soltar-se e causar ferimentos.
- ◆ **Os cinzéis ligeiramente gastos podem ser afiados por trituração.**
- ◆ **Mantenha o cabo de alimentação afastado da broca rotativa. Não envolva o cabo à volta de qualquer parte do corpo.** Um cabo eléctrico enrolado à volta de uma broca em movimento pode causar ferimentos e perda de controlo.

### Segurança de terceiros

- ◆ Esta ferramenta não deve ser utilizada por pessoas (incluindo crianças) com capacidades físicas, sensoriais ou mentais reduzidas ou com falta de experiência e conhecimentos, a menos que sejam acompanhadas ou tenham recebido formação sobre a utilização deste equipamento por uma pessoa responsável pela sua segurança.
- ◆ As crianças devem ser vigiadas para que não mexam no equipamento.

### Riscos residuais

Podem ocorrer riscos residuais adicionais se utilizar a ferramenta que pode não estar incluída nos avisos de segurança fornecidos. Estes riscos podem resultar de má utilização, uso prolongado, etc.

Apesar da aplicação dos regulamentos de segurança relevantes e da implementação de dispositivos de segurança, alguns riscos residuais não podem ser evitados. Estes incluem:

- ◆ Ferimentos causados pelo contacto com peças em rotação/movimento.
- ◆ Ferimentos causados durante a substituição de peças, lâminas ou acessórios.
- ◆ Ferimentos causados pela utilização prolongada de uma ferramenta. Quando utilizar uma ferramenta durante períodos prolongados, certifique-se de que faz pausas regularmente.
- ◆ Danos auditivos.

- ◆ Perigos de saúde causados pela inalação do pó resultante da utilização da ferramenta (por exemplo, quando trabalhar com madeira, em especial carvalho, faia e placas de fibra de densidade média.)

### Vibração e ruído

Os valores da emissão de vibração e ruído declarados na secção de dados técnicos e na declaração de conformidade foram medidos de acordo com o método de teste padrão fornecido pela EN62841 e podem ser utilizados para comparar ferramentas.

O valor de emissão de vibrações e ruído declarado pode ser também utilizado numa avaliação preliminar de exposição.

**ATENÇÃO!** O valor da emissão de vibrações e ruído durante a utilização efectiva da ferramenta eléctrica pode ser diferente do valor declarado, dependendo da forma como a ferramenta é utilizada. O nível de vibrações e ruído pode aumentar acima do nível indicado.

Quando avaliar a exposição a vibrações para determinar as medidas de segurança exigidas pela Directiva 2002/44/CE para proteger pessoas que utilizem com frequência ferramentas eléctricas na sua actividade profissional, deve ser considerada uma estimativa da exposição à vibração, as condições reais de utilização e o modo de utilização da ferramenta, incluindo ainda todas as partes do ciclo de funcionamento, como os períodos de inactividade e espera da ferramenta, além do tempo de funcionamento.

### Etiquetas colocadas na ferramenta

A ferramenta apresenta os seguintes pictogramas de aviso em conjunto com o código de data:



**ATENÇÃO!** Para reduzir o risco de ferimentos, o utilizador deve ler o manual de instruções.



Utilize óculos ou viseiras de protecção.



Use protecção auditiva.

### Segurança eléctrica



Esta ferramenta tem isolamento duplo. Por esse motivo, não necessita de ligação à terra. Verifique sempre se a fonte de alimentação corresponde à tensão indicada na placa sinalética.

- ◆ Se o cabo de alimentação estiver danificado, deve ser substituído pelo fabricante ou por um centro de assistência autorizado da Stanley Fat Max para evitar riscos.

## Utilizar uma extensão

Utilize sempre uma extensão aprovada e adequada para a potência deste equipamento (ver dados técnicos). A extensão deve ser adequada para utilização ao ar livre e marcado em conformidade. Pode utilizar uma extensão H05VV-F de 1,5 mm<sup>2</sup> com um comprimento máximo de 30 m, sem redução do desempenho do equipamento. Antes de utilizar, verifique se a extensão apresenta sinais de envelhecimento, danos ou desgaste. Substitua a extensão se estiver danificada ou avariada. Se utilizar um enrolado de cabos, desenrole sempre o cabo por completo.

## Acessórios

Esta ferramenta inclui alguns ou todos os seguintes acessórios.

1. Pega lateral
2. Gatilho
3. Tapa do tambor
4. Mandril SDS MAX
5. Entrada de injeção de óleo lubrificante

## Utilização

**ATENÇÃO!** Antes de tentar executar qualquer uma das operações que se seguem, certifique-se de que a ferramenta está desligada e que a ficha foi retirada da tomada.

### Ligar e desligar (Fig. A)

- ◆ Para ligar a ferramenta, carregue no gatilho (2) e coloque-o na posição "Ligado".
- ◆ Para parar a ferramenta, coloque-a na posição "Desligado" e liberte o gatilho (2).

### Encaixar a pega lateral (Fig. B)

A pega lateral (1) pode ser montada para se adequar tanto a utilizadores destros como esquerdistas.

**ATENÇÃO!** Não utilize a ferramenta sem a pega lateral devidamente montada.

- ◆ Liberte a pega lateral.
- ◆ Para utilizadores destros: Deslize o grampo de fixação da pega lateral sobre o anel atrás do porta-ferramentas, com a pega no lado esquerdo. Para utilizadores esquerdistas: Deslize o grampo de fixação da pega lateral sobre o anel atrás do porta-ferramentas, com a pega no lado direito.
- ◆ Rode a pega lateral para a posição pretendida e aperte a pega.

### Inserir e remover acessórios SDS Max (Fig. C, D)

Esta ferramenta utiliza acessórios SDS Max (consulte a Figura D para obter uma secção transversal de uma haste SDS Max). Recomendamos apenas a utilização de acessórios profissionais.

- ◆ Limpe e lubrifique a haste da broca.
- ◆ Insira a haste da broca no porta-ferramentas/anel da broca (4).
- ◆ Empurre a broca para baixo e rode-a ligeiramente até encaixar nas ranhuras.
- ◆ Puxe a broca para verificar se está bem fixada. A função de martelagem requer que a broca se desloque axialmente vários centímetros quando está fixada no porta-ferramentas.
- ◆ Para retirar uma broca, puxe o porta-ferramentas/anel de bloqueio (4), como indicado na Figura C e retire a broca.

**ATENÇÃO!** Use sempre luvas quando substituir os acessórios. As peças metálicas expostas na ferramenta e acessório podem ficar muito quentes durante o funcionamento.

### Raspagem e cinzelagem (Fig. E)

- ◆ Insira o cinzel adequado (não fornecido) na posição correcta.
- ◆ Ajuste a pega lateral (1) conforme pretendido.
- ◆ Ligue a ferramenta e comece a trabalhar.
- ◆ Desligue sempre a ferramenta quando terminar o trabalho e antes de desligar o equipamento da corrente.
- ◆ Respeite sempre as instruções de segurança e os regulamentos aplicáveis.
- ◆ Tenha em atenção a localização da tubagem e da cablagem.
- ◆ Exerça uma ligeira pressão na ferramenta (cerca de 5 kg). Uma força excessiva para acelerar a cinzelagem, mas reduz o desempenho da ferramenta e pode reduzir a vida útil da ferramenta.
- ◆ Segure sempre a ferramenta com firmeza com ambas as mãos e garanta uma posição segura. Utilize sempre a ferramenta com a pega lateral devidamente montada.

### Posição correcta das mãos (Fig. F)

**ATENÇÃO!** Para reduzir o risco de ferimentos graves, utilize SEMPRE a ferramenta com as mãos na posição correcta, como indicado.

**ATENÇÃO!** Para reduzir o risco de ferimentos graves, segure SEMPRE a ferramenta com firmeza, antecipando uma reacção súbita por parte da mesma.

A posição correcta das mãos requer a colocação de uma mão na pega principal (1) e a outra mão no punho principal.

**ATENÇÃO!** Não utilize esta ferramenta para misturar ou bombear líquidos combustíveis ou explosivos (benzina, álcool, etc.).

Não misture nem agite líquidos inflamáveis devidamente rotulados.

## Acessórios

O desempenho da ferramenta depende dos acessórios utilizados. Os acessórios da Stanley Fat Max são construídos de acordo com normas de alta qualidade e concebidos para melhorar o desempenho da ferramenta. Ao utilizar estes acessórios, obterá o melhor desempenho da sua ferramenta.

## Manutenção

A ferramenta/equipamento com/sem cabo da Stanley Fat Max foi concebida para funcionar durante um longo período de tempo com uma manutenção mínima. Uma utilização continuamente satisfatória depende de uma manutenção adequada da ferramenta e de uma limpeza frequente.

**ATENÇÃO!** Antes de efectuar qualquer manutenção em ferramentas eléctricas com/sem cabo:

- ◆ Desligue o equipamento/ferramenta e retire a respectiva ficha da tomada.
- ◆ Pode também desligar e retirar a bateria do equipamento/ferramenta caso o equipamento/ferramenta tenha uma bateria individual.
- ◆ Ou deixe a bateria descarregar por completo se estiver incorporada e, em seguida, desligue-a.
- ◆ Desligue o carregador antes de limpá-lo. Além da limpeza frequente, o carregador não necessita de manutenção.
- ◆ Limpe regularmente as aberturas de ventilação do equipamento/ferramenta/carregador com uma escova macia ou um pano seco.
- ◆ Limpe regularmente o compartimento do motor com um pano húmido. Não utilize produtos de limpeza abrasivos ou à base de solventes.
- ◆ Abra o mandril com regularidade e bata no mesmo para remover qualquer vestígio de pó do interior (caso esteja instalado).

## Substituição da ficha de alimentação (apenas no Reino Unido e na Irlanda)

Se for necessário instalar uma nova ficha de alimentação:

- ◆ Elimine com segurança a ficha antiga.
- ◆ Ligue o cabo castanho no terminal activo da nova ficha.
- ◆ Ligue o cabo azul no terminal neutro.

**ATENÇÃO!** Não deve ser efectuada qualquer ligação ao terminal de terra. Siga as instruções de instalação fornecidas com fichas de boa qualidade. Fusível recomendado: 10 A.

## Protecção do ambiente



Faça uma recolha de lixo selectiva. Os produtos e as baterias assinalados com este símbolo não devem ser eliminados em conjunto com o lixo doméstico normal.

Os produtos e as baterias contêm materiais que podem ser recuperados ou reciclados, reduzindo assim a necessidade de matérias-primas.

Recicle os produtos eléctricos e as baterias de acordo com as disposições locais. Estão disponíveis mais informações em [www.2helpU.com](http://www.2helpU.com)

## Dados técnicos

SFMEH220 (Tipo 01)		
Tensão	V	230
Frequência	Hz	50
Potência de entrada	A	1010
Número de impactos	bpm	2900
Energia de impacto (EPTA/Max)	J	8,5
Tipo de mandril		SDS Max
Peso	kg	6,3

Nível de pressão sonora de acordo com EN62841:		
Pressão sonora ( $L_{PA}$ )	dB (A)	95
Variabilidade da pressão sonora ( $K_{PA}$ )	dB (A)	3
Potência sonora ( $L_{WA}$ )	dB (A)	103
Variabilidade da potência sonora ( $K_{WA}$ )	dB (A)	1,8
Valor de emissão de vibração ah (cinzelagem):		
( $a_{h, ChEq}$ )	m/s <sup>2</sup>	14,3
Variabilidade (K)	m/s <sup>2</sup>	1,5

## Declaração de conformidade CE

DIRECTIVA "MÁQUINAS"



SFMEH220 Martelo demolidor

A Stanley Fat Max declara que os produtos descritos em "dados técnicos" estão em conformidade com as seguintes normas: 2006/42/CE.

EN62841-1:2015+A11:2022, EN IEC62841-2-6:2020 +A11:2020. Estes produtos estão também em conformidade com as directivas 2014/30/UE e 2011/65/UE.

2000/14/CE, Martelo demolidor eléctrico para betão (portátil), m ≤ 15 kg, Anexo VI, DEKRA Testing and Certification GmbH, Handwerkstraße 15, 70565, Estugarda.

Organismo de certificação de localização, Dinnendahlstr. 9, 44809 Bochum, Alemanha, Número do organismo notificado: 0158 LWA (nível de potência sonora medida) 103 dB(A), variabilidade (K) = 1,8 dB (A), LWA (potência sonora garantida) 105 dB(A). Para obter mais informações, contacte a Stanley Fat Max através da seguinte morada ou consulte o verso do manual. O abaixo-assinado é responsável pela compilação do ficheiro técnico e efectua esta declaração em nome da Stanley Fat Max.

*Patrick Diepenbach*

Patrick Diepenbach, Director-Geral, Benelux Stanley Fat Max, Egide Walschaertsstraat 14-18 2800 Mechelen, Bélgica  
12.30.2022

### Garantia

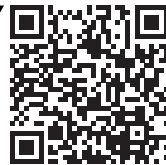
A Stanley Fat Max confia na qualidade dos seus produtos e oferece aos clientes uma garantia de 12 meses a partir da data de compra. Esta garantia é um complemento dos seus direitos estabelecidos por lei, não os prejudicando de forma alguma. A garantia é válida nos territórios dos Estados-membros da União Europeia, da Zona Europeia de Comércio Livre e no Reino Unido.

Para accionar a garantia, esta deve estar em conformidade com os termos e condições da Stanley Fat Max e terá de apresentar comprovativos de compra ao vendedor ou a um técnico de reparação autorizado. Os termos e condições da garantia de 1 ano da Stanley Fat Max e a localização do técnico de reparação autorizado mais próximo pode ser obtido na Internet em [www.2helpU.com](http://www.2helpU.com) ou contactando uma filial da Stanley Fat Max, cuja morada está indicada neste manual. Visite o nosso Website [www.stanley.eu/3](http://www.stanley.eu/3) para efectuar o registo do seu novo produto da Stanley Fat Max e receber actualizações sobre novos produtos e ofertas especiais.

### Informações sobre protecção ambiental

Na Stanley Black & Decker, o nosso compromisso com a excelência ambiental e de sustentabilidade durante o ciclo de vida do produto continua a ter um papel essencial para a nossa empresa. Quando eliminar o produto, a embalagem do seu produto deve ser gerida correctamente (verifique o código de material), por isso consulte a sua câmara municipal para saber como fazer a gestão dos resíduos. Os materiais dos nossos produtos eléctricos e componentes, como é o caso das baterias, contêm matérias-primas e devem ser também geridos correctamente no final da vida útil. Estes podem ser colocados em centros oficiais de recolha de resíduos ou num revendedor participante. As instruções de funcionamento e segurança devem ser eliminadas quando o respectivo produto já não for utilizado. Leia o código QR para obter mais informações.

**StanleyBlack&Decker**



**SVENSKA**

(Översättning av originalanvisningarna)

### Avsedd användning

STANLEY® FATMAX® SFMEH220 rivningshammare har konstruerats för lätta eller medelstora användningsområden inom hackning, huggning och rivning av betong, tegel och murverk. Verktaget är avsett för både yrkesmässig användning och privatbruk.

### Säkerhetsinstruktioner

#### Allmänna säkerhetsvarningar för elverktyg



**WARNING! Läs alla säkerhetsanvisningar, instruktioner, illustrationer och specifikationer som levereras med detta elverktyg.** Fel som uppstår till följd av att säkerhetsanvisningarna och anvisningarna nedan inte följts kan orsaka elstötar, brand och/eller allvarliga kroppsskador.

**Spara alla säkerhetsföreskrifter och anvisningar för framtida bruk.** Begreppet "Elverktyg" i alla varningar som listas nedan avser nätdrivna elverktyg (med nätsladd) och batteridrivna elverktyg (sladdlösa).

#### 1. Säkerhet på arbetsplatsen

- Se till att arbetsområdet är rent och väl belyst.** Belamrade och mörka områden inbjuder till olyckor.
- Använd inte elverktyget i explosionsfarlig omgivning, t.ex. i närheten av brännbara vätskor, gaser eller damm.** Elverktyg skapar gnistor som kan antända damm eller ångor.
- Håll barn och andra obehöriga personer på avstånd vid arbete med elverktyget.** Distractioner kan göra att du förlorar kontrollen.

#### 2. Elsäkerhet

- Elverktygets stickkontakt måste passa i eluttaget. Modifiera aldrig kontakten på något sätt. Använd inga adapterkontakter tillsammans med jordade elverktyg.** Icke modifierade kontakter och matchande uttag minskar risken för elektrisk stöt.
- Undvik kroppskontakt med jordade ytor, t.ex. rör, värmelement, spisar och kylskåp.**

Det finns en ökad risk för elektrisk stöt om din kropp är jordansluten eller jordad.

- c. **Utsätt inte elverktyget för regn eller våta omgivningar.** Vatten som kommer in i ett elverktyg ökar risken för elektrisk stöt.
  - d. **Hantera nätsladden varsamt. Använd aldrig sladden för att bära, dra eller koppla bort elverktyget från uttaget. Håll sladden borta från värme, olja, vassa kanter eller rörliga delar.** Skadade eller tilltrasslade sladdar ökar risken för elektrisk stöt.
  - e. **Använd en förlängningsladd som är godkänd för utomhusbruk när du arbetar med elverktyg utomhus.** Användning av en sladd som är lämplig för utomhusbruk minskar risken för elektriska stötar.
  - f. **Om du måste använda ett elverktyg på en fuktig plats, bör du använda en strömförsörjning med jordfelsbrytare.** Användning av en jordfelsbrytare minskar risken för elektrisk stöt.
3. **Personlig säkerhet**
    - a. **Var uppmärksam, se på vad du gör och använd sunt omdöme när du använder elverktyget.** Använd inte ett elverktyg när du är trött eller påverkad av droger, alkohol eller mediciner. Ett ögonblicks uppmärksamhet när du arbetar med elektriska verktyg kan resultera i allvarlig personskada.
    - b. **Använd personlig skyddsutrustning. Använd alltid skyddsglasögon.** Skyddsutrustning såsom skyddsmask, halksäkra säkerhetsskor, skyddshjälm eller hörselskydd som används för lämpliga förhållanden minskar personskador.
    - c. **Förhindra oavsiktlig start. Kontrollera att strömbrytaren står i avstängt läge innan du ansluter verktyget till elnätet eller sätter i batteriet, samt innan du tar upp eller bär verktyget.** Om du bär elverktyg med ditt finger på strömbrytaren eller ansluter ett påkopplat elverktyg till nätströmmen kan en olycka inträffa.
    - d. **Ta bort alla inställningsverktyg och skruvnycklar innan du startar elverktyget.** Ett verktyg eller en nyckel som har lämnats kvar på en roterande del av det elektriska verktyget kan orsaka kroppsskador.
    - e. **Sträck dig inte för mycket. Ha ordentligt fotfäste och balans hela tiden.** Detta möjliggör bättre kontroll av elverktyget i oväntade situationer.
    - f. **Bär lämpliga kläder. Bär inte lösa kläder eller smycken. Håll hår och kläder borta från delar i rörelse.** Lösa kläder, smycken eller långt hår kan fastna i rörliga delar.
    - g. **Om enheten har dammsugnings- och uppsamlingsutrustning, se till att den är ansluten och används på korrekt sätt.** Användning av dammuppsamling kan minska dammrelaterade faror.

- h. **Låt inte självförtroende från regelbunden användning av verktyg göra att du bli självbelåten och ignorerar principer för verktygssäkerhet.** Slarvig hantering kan leda till allvarliga skador inom bråkdelen av en sekund.

#### 4. Användning och skötsel av elverktyg

- a. **Överbelasta inte elverktyget. Använd rätt elverktyg för ditt arbete.** Det korrekta elverktyget gör arbetet bättre och säkrare vid den hastighet för vilket det konstruerades.
- b. **Använd inte elverktyget om det inte kan startas och stängas av med strömbrytaren.** Ett elverktyg som inte kan kontrolleras med strömbrytaren är farligt och måste repareras.
- c. **Dra ur kontakten från strömkällan och/eller ta bort batteriet från elverktyget innan du gör några justeringar, byter tillbehör eller lägger undan elverktygen för förvaring.** Sådana förebyggande säkerhetsåtgärder minskar risken att oavsiktligt starta elverktyget.
- d. **Förvara elverktyg utom räckhåll för barn och låt inte personer som är ovana vid elverktyget eller som inte läst denna bruksanvisning använda det.** Elektriska verktyg är farliga i händerna på utbildade användare.
- e. **Underhåll elverktyg och tillbehör. Kontrollera för feljustering eller om rörliga delar har fastnat, bristning hos delar och andra eventuella förhållanden som kan komma att påverka elverktygets funktion. Om det är skadat, se till att elverktyget blir reparerat före användning.** Många olyckor orsakas av dåligt underhållna elektriska verktyg.
- f. **Håll skärande verktyg vassa och rena.** Korrekt underhållna kapverktyg med vassa skär är mindre troliga att de fastnar och är lättare att kontrollera.
- g. **Använd elverktyg, tillbehör, bits m.m. enligt dessa anvisningar, samtidigt som arbetsförhållandena och det arbete som ska utföras beaktas.** Användning av elverktyget för andra uppgifter än vad som avsetts kan resultera i farliga situationer.
- h. **Håll handtagen och greppytorna torra, rena och fria från olja och fett.** Hala handtag och greppytor förhindrar säker hantering och kontroll av verktyget i oväntade situationer.

#### 5. Service

- a. **Låt en kvalificerad reparatör som endast använder originalreservdelar utföra service på elverktyget.** Detta säkerställer att elverktygets säkerhet bibehålles.

#### Säkerhetsanvisningar borrtvätt

#### Säkerhetsinstruktioner för all verksamhet

- ◆ **Använd hörselskydd.** Att utsättas för buller kan leda till hörselskador.

- ◆ **Använd de extrahandtag som medföljer verktyget.**  
Tappad kontroll kan orsaka personskador.
- ◆ **Håll alltid verktyget i de isolerade greppytorna vid arbete där kaptillbehör riskerar att komma i kontakt med dolda elledningar eller med sin egen nätsladd.**  
Kaptillbehör som kommer i kontakt med en strömförande ledning kan göra att exponerade metalldelar hos elverktyget blir strömförande och kan ge användaren en elektrisk stöt.

#### Ytterligare säkerhetsanvisningar för hammare

- ◆ **Använd klämmor eller något annat praktiskt sätt att stödja arbetsstycket mot ett stabilt underlag.** Att hålla arbetet för hand eller mot kroppen är instabilt och kan göra att du förlorar kontrollen.
- ◆ **Använd skyddsglasögon eller annat ögonskydd. Mejslingsarbeten kan göra att flisor flyger omkring.**  
Flygande partiklar kan orsaka permanenta ögonskador. Använd andningsskydd eller gasmask vid arbetet som genererar damm. Hörselskydd krävs för de flesta arbeten.
- ◆ **Ha ett fast grepp om verktyget hela tiden. Försök inte att arbeta med verktyget utan att hålla det med båda händerna. Det rekommenderas att sidohandtaget alltid används.** Arbeta med detta verktyg med en hand kommer att resultera i att kontrollen förloras. Bryta igenom eller att stöta på hårt material såsom armeringsjärn kan också vara riskabelt. Dra åt sidohandtaget ordentligt innan användning.
- ◆ **Arbeta inte med verktyget under långa perioder.**  
Vibrationer som orsakas av slagverktygets arbete kan vara skadligt för dina händer och armar. Använd handskar för att få extra stötdämpning och begränsa exponeringen genom att ta regelbunden paus.
- ◆ **Renovera inte bitsarna själv.** Utför inte mejselrenovering själv. Det ska utföras av en auktoriserad specialist. Felaktigt renoverade mejslar kan orsaka skador.
- ◆ **Använd handskar vid arbete med verktyget eller byte av bits.** Åtkomliga metalldelar på verktyget och borrbits kan bli mycket heta under arbetet. Små bitar av trasigt material kan skada bara händer.
- ◆ **Lägg aldrig ned elverktyget förrän tillbehöret har slutat rotera helt stannat helt.** Bitsar i rörelse kan orsaka skador.
- ◆ **Slå inte på bitsar som fastnat med en hammare för att lossa dem.** Fragment av metall eller materialspån kan lossna och orsaka skador.
- ◆ **Lätt slitna mejslar kan slipas med en slip.**
- ◆ **Håll strömsladden undan från den roterande bitsen. Linda inte sladden runt någon del av din kropp.** En elektrisk sladd som lindas runt en snurrande bits kan orsaka personskador och att kontrollen förloras.

#### Säkerhet för andra

- ◆ Detta verktyg är inte avsedd att användas av personer (inklusive barn) med reducerad fysisk, sensorisk eller mental förmåga, eller med begränsad erfarenhet eller kunskap, såvida de inte är under uppsikt eller fått instruktioner om användning av en person som är ansvarig för deras säkerhet.
- ◆ Barn bör övervakas för att garantera att de inte leker med apparaten.

#### Återstående risker

Ytterligare kvarvarande risker kan uppstå när verktyget används som inte är inkluderade i dessa säkerhetsvarningar. Dessa risker kan uppstå vid felaktig eller långvarig användning, etc.

Även vid tillämpning av relevanta säkerhetsbestämmelser och implementering av säkerhetsanordningar kan vissa kvarvarande risker inte undvikas. Dessa omfattar:

- ◆ Skador orsakade av att roterande/rörliga delar vidrörs.
- ◆ Skador som uppstår vid byte av delar, blad eller tillbehör.
- ◆ Skador som orsakas av en långvarig användning av ett verktyg. Vid användning av elverktyg under längre period, se till att ta paus regelbundet.
- ◆ Hörselnedsättning.
- ◆ Hälsorisker till följd av inandning av damm som bildas vid användning av verktyget (exempelvis:- arbete med trä, särskilt ek, bok och MDF.)

#### Vibration och buller

De vibrationsvärden som anges i avsnitten Tekniska data och deklarationen om överensstämmelse har uppmätts i enlighet med en standardtestmetod föreskriven i EN62841 och kan användas för jämförelse med andra verktyg.

De angivna vibrations- och bullervärdena kan även användas för en preliminär bedömning av exponeringen.

**WARNING!** Vibrationsvärdet och bullervärdet under faktisk användning av elverktyget kan skilja sig från det uppgivna värdet beroende på hur verktyget används. Vibrations- och bullernivån kan överstiga den uppgivna nivån.

Vid uppskattningar av exponering för vibrationer i syfte att bedöma vilka säkerhetsåtgärder som är nödvändiga enligt 2002/44/EG för att skydda personer som regelbundet använder elverktyg i arbetet ska man utgå från de faktiska omständigheter under vilka elverktyget används och sättet på vilket det används. Bedömningen ska även ta hänsyn till alla moment i arbetscykeln, t.ex. när verktyget är avstängt och när det går på tomgång såväl som när det faktiskt används.

#### Etiketter på verktyget

De följande varningssymbolerna finns på verktyget, tillsammans med datumkoden:





**VARNING!** För att minska risken för personskada, måste användaren läsa bruksanvisningen.



Använd säkerhetsglasögon eller skyddsglasögon.



Använd hörselskydd.

## Elsäkerhet



Detta verktyg är dubbelisolerat; därför krävs ingen jordledning. Kontrollera alltid att spänningen på nätet motsvarar den spänning som finns angiven på märkplattan.

- ◆ Om apparatens sladd är skadad måste den bytas ut av tillverkaren eller ett auktoriserat Stanley Fat Max servicecenter för att undvika fara.

## Använda förlängningssladd

Använd alltid en godkänd förlängningssladd som klarar redskapets ineffekt (se Tekniska data).

Förlängningssladden måste vara lämplig för utomhusbruk och märkt därefter. Det går att använda en 1,5 mm<sup>2</sup> H05VV-F-förlängningssladd som är upp till 30 m lång utan spänningsförlust. Innan du använder sladden kontrollerar du att den inte är skadad, sliten eller utnött. Byt ut förlängningssladden om den är skadad eller defekt. Om du använder en sladdvinda, vira alltid av sladden fullständigt.

## Funktioner

Det här verktyget har några eller samtliga av följande funktioner.

1. Sidohandtag
2. Strömbrytare
3. Trummskydd
4. SDS MAX-chuck
5. Insprutningsinlopp för smörjolja

## Användning

**VARNING!** Innan du gör något av nedanstående ska du kontrollera att verktyget är avstängt och fränkopplat.

## Påslagning och avstängning (bild A)

- ◆ För att starta verktyget, tryck på knappen (2) och vrid den till läget "PÅ"
- ◆ För att stoppa verktyget, vrid den till läget "AV" och släpp knappen hastighet (2).

## Montering av sidohandtaget (bild B)

Sidohandtaget (1) kan monteras för att passa både höger- och vänsterhänta användare.

**VARNING!** Använd aldrig verktyget utan sidohandtaget ordentligt monterat.

- ◆ Lossa sidohandtaget.
- ◆ För högerhänta användare: Skjut sidohandtagets knapp över hylsan bakom verktygshållaren, handtag till vänster. För vänsterhänta användare: Skjut sidohandtagets knapp över hylsan bakom verktygshållare, handtag till höger.
- ◆ Skjut och vrid sidohandtaget till önskad position och dra åt handtaget.

## Sätt i och ta bort SDS Max-tillbehör (bild C,D)

Detta verktyg använder SDS-Max-mejslar (se fig. B för ett tvärsnitt av en SDS Max-mejselaxel). Vi rekommenderar att man uteslutande använder professionella tillbehör.

- ◆ Rengör och smörj bitsskaffet.
- ◆ Sätt i bitsskaffet i bitshållaren/verktygshylsan (4).
- ◆ Skjut ned bitsen och vrid den lätt tills den passar i öppningarna.
- ◆ Dra i bitsen för att se om den är ordentligt låst. Förlängningskabeln hammarfunktionen kräver att verktyget kan svänga flera centimeter i längdriktningen medan det sitter i verktygshållaren.
- ◆ För att avlägsna en bits, dra tillbaka bitshållaren låshylsa/fläns (4), som visas i figur C, och dra ut bitsen.

**VARNING!** Använd alltid handskar när du byter tillbehör.

Exponerade metalldelar på verktyget och tillbehöret kan bli mycket heta under arbetet.

## Hackning och mejsling (bild E)

- ◆ Sätt i lämplig mejsel (medföljer ej) i rätt position.
- ◆ Justera sidohandtaget (1) efter behov.
- ◆ Slå på verktyget och börja arbeta.
- ◆ Stäng alltid av verktyget när arbetet är klart och innan sladden dras ur.
- ◆ Följ alltid säkerhetsinstruktionerna och tillämpbara föreskrifter.
- ◆ Tänk på rör och ledningars placering.
- ◆ Använd endast ett lätt tryck på verktyget (cirka 5 kg). Större tryck gör inte att det går fortare att mejsla, men reducerar verktygets prestanda och kan förkorta verktygets livslängd.
- ◆ Håll alltid verktyget ordentligt med båda händerna och se till att du står stadigt. Använd alltid verktyget med sidohandtaget ordentligt monterat.

## Korrekt handplacering (bild F)

**VARNING!** För att minska risken för allvarlig personskada, använd ALLTID korrekt handställning, så som visas.



**WARNING!** För att minska risken för allvarlig personskada, håll ALLTID verktyget säkert, för att förekomma en plötslig reaktion.

Korrekt handplacering kräver en hand på sidohandtaget (1) och den andra handen på huvudhandtaget.

**WARNING!** Använd inte detta verktyg för att blanda eller pumpa lättantändliga eller explosiva vätskor (bensin, alkohol etc.).

Blanda eller rör inte vätskor som är markerade som antändliga.

## Tillbehör

Verktygets prestanda beror på vilka tillbehör du använder. Stanley Fat Max-tillbehören är av hög kvalitet och konstruerade för att fungera optimalt med verktyget. Med dessa tillbehör får du ut mesta möjliga av verktyget.

## Underhåll

Ditt Stanley Fat Max kabelanslutna/sladdlösa verktyg har konstruerats för att fungera länge med minimalt underhåll. Kontinuerlig tillfredsställande drift är beroende av ordentlig verktygsvård och regelbunden rengöring.

**WARNING!** Innan några som helst serviceåtgärder genomförs på kabelanslutna/sladdlösa elverktyg:

- ◆ Stäng av apparaten/verktyget och dra ur nätkontakten.
- ◆ Du kan också ta ut batteriet ur redskapet om redskapet har ett separat batteri.
- ◆ Om batteriet är inbyggt låter du det laddas ur helt innan avstängningen.
- ◆ Dra ur sladden till laddaren innan du rengör den. Laddaren behöver inget annat underhåll än regelbunden rengöring.
- ◆ Rengör regelbundet redskapets/verktygets/laddarens luftintag med en mjuk borste eller torr trasa.
- ◆ Rengör motorkåpan regelbundet med en fuktig trasa. Använd aldrig något slipande eller lösningsmedelsbaserat rengöringsmedel.
- ◆ Öppna chocken (där sådan finns) med jämna mellanrum och knacka på den för att avlägsna damm som sitter på insidan.

## Byte av elkontakten (endast Storbritannien. & Irland)

Om en ny elkontakt behöver monteras:

- ◆ Gör dig av med den gamla kontakten på lämpligt sätt.
- ◆ Anslut den bruna ledningen till den strömförande anslutningen i den nya kontakten.
- ◆ Anslut den blå ledningen till den icke strömförande anslutningen.

**WARNING!** Ingenting bör kopplas till jordanslutningen. Följ de monteringsanvisningar som följer med kontakter av god kvalitet. Rekommenderad säkring: 10 A.

## Miljöskydd



Separat insamling. Produkter och batterier som är markerade med denna symbol får inte kastas i de vanliga hushållsoporna.

Produkter och batterier innehåller material som kan återanvändas eller återvinnas för att minska behovet av råmaterial.

Återvinn elektriska produkter och batterier enligt lokala bestämmelser. Mer information finns tillgänglig på [www.2helpU.com](http://www.2helpU.com)

## Tekniska data

SFMEH220 (typ 01)		
Spänning	V	230
Frekvens	Hz	50
Ineffekt	W	1010
Slaghastighet	bpm	2900
Slagkraft (EPTA/Max)	J	8,5
Chucktyp		SDS Max
Vikt	kg	6,3

bullerljuddnivå enligt EN62841:		
Bullertryck ( $L_{PA}$ )	dB(A)	95
Bullertryck osäkerhet ( $K_{PA}$ )	dB(A)	3
Ljudtryck ( $L_{WA}$ )	dB(A)	103
Ljudtryck osäkerhet ( $K_{WA}$ )	dB(A)	1,8
Vibrationsvärde ah (mejsling):		
$(a_{h,CHet})$	$m/s^2$	14,3
Osäkerhet (K)	$m/s^2$	1,5

## EG-försäkran om överensstämmelse

MASKINDIREKTIVET



SFMEH220 rivningshammare

Stanley Fat Max garanterar att produkterna som beskrivs under "Tekniska data" uppfyller: 2006/42/EG.

EN62841-1:2015+A11:2022, EN IEC62841-2-6:2020 +A11:2020. Dessa produkter överensstämmer även med direktiven 2014/30/EU och 2011/65/EU.

2000/14/EG Elektrisk betonghammare (handhållen),  $m \leq 15$  kg, Bilaga VI, DEKRA Testing and Certification GmbH, Handwerkstraße 15, 70565 Stuttgart.

Location Certification Body, Dinnendahlstr. 9, 44809 Bochum, Tyskland anmält organnummer: 0158 LWA (uppmätt ljudeffektnivå) 103 dB(A), osäkerhet (K) = 1,8 dB (A) LWA (garanterad ljudeffekt) 105 dB(A). För ytterligare information, kontakta Stanley Fat Max på följande adress eller se baksidan av bruksanvisningen. Undertecknad är ansvarig för sammanställningen av tekniska data och gör denna försäkran för Stanley Fat Max.

*Patrick Diepenbach*

Patrick Diepenbach General Manager, Benelux Stanley Fat Max, Egide Walschaertsstraat 14-18 2800 Mechelen, Belgien  
12.30.2022

## Garanti

Stanley Fat Max är säker på kvaliteten hos denna produkt och erbjuder kunder 12 månaders garanti från datumet för inköpet. Denna garanti är ett tillägg till dina lagstadgade rättigheter och påverkar inte dessa på något sätt. Garantin är giltig i de områden som tillhör medlemsstaterna i Europeiska unionen, det europeiska frihandelsområdet samt Storbritannien.

För yrkande under garantin måste yrkandet vara förenligt med Stanley Fat Max villkor och du behöver skicka in bevis på köpet till försäljaren eller en auktoriserad reparatör. Villkoren för Stanley Fat Max 1-åriga garanti och var din närmaste auktoriserade reparationsverkstad befinner sig kan du se på internetadressen [www.2helpU.com](http://www.2helpU.com), eller ta reda på genom att kontakta din lokala Stanley Fat Max-filial på den adress som finns angiven i denna handbok.

Besök vår webbplats [www.stanley.eu/3](http://www.stanley.eu/3) för att registrera din nya Stanley Fat Max-produkt samt för att få information om nya produkter och specialerbjudanden.

## Information om miljöskydd

På Stanley Black & Decker är vårt engagemang för miljö och hållbarhet under hela vår produktlivscykel kärnan i vårt sätt att arbeta. Din produkts förpackning ska hanteras korrekt (kontrollera materialkoden) när du bestämmer dig för att kassera den, kontakta din kommun för vägledning om avfallshantering. Material från våra elektriska produkter och komponenter som batterier innehåller viktiga råvaror och bör även hanteras korrekt vid slutet av livslängden. Dessa kan lämnas till en återvinningscentral eller en deltagande återförsäljare. Drift- och säkerhetsinstruktioner ska endast kasseras när produkten som de refererar till inte längre används. Skanna QR-koden för mer information.

**StanleyBlack&Decker**



## Tiltenkt bruk

STANLEY FATMAX® SFMEH220 Meiselhammer er designet for lett eller middels meislning, hacking, og nedrivning av betong, teglstein og murarbeid. Dette verktøyet er tiltenkt både fagarbeidere og privat bruk.

## Sikkerhetsanvisninger

### Generelle sikkerhetsadvarsler for elektriske verktøy



**ADVARSEL!** Les alle sikkerhetsanvisninger, instruksjoner, illustrasjoner og spesifikasjoner som følger dette elektriske verktøyet. Hvis advarslene og anvisningene nedenfor ikke overholdes, kan det medføre elektrisk støt, brann og/eller alvorlige personskader.

**Ta vare på alle advarsler og instruksjoner for fremtidig bruk.** Uttrykket "elektroverktøy" i alle advarslene nedenfor gjelder for strømdrevne elektroverktøy (med ledning) og batteridrevne elektroverktøy (uten ledning).

### 1. Sikkerhet i arbeidsområdet

- Hold arbeidsområdet rent og godt opplyst.** Rotete eller mørke områder er en invitasjon til ulykker.
- Ikke arbeid med elektroverktøy i eksplosjonsfarlige omgivelser, for eksempel der det befinner seg brennbare væsker, gass eller støv.** Elektrisk verktøy skaper gnister som kan antenne støv eller gasser.
- Hold barn og andre personer unna når du bruker et elektroverktøy.** Distraksjoner kan føre til at du mister kontrollen.

### 2. Elektrisk sikkerhet

- Støpselet til verktøyet må passe til stikkkontakten. Aldri modifier støpselet på noen måte. Ikke bruk adapterstøpsler til jordede elektriske verktøy.** Umodifiserte støpsler og stikkontakter som passer vil redusere risikoen for elektrisk støt.
- Unngå kroppskontakt med jordede overflater som rør, radiatorer, komfyrer og kjøleskap.** Det er økt risiko for elektrisk støt dersom kroppen din er jordet.
- Ikke utsett elektroverktøy for regn eller fuktighet.** Dersom det kommer vann inn i et elektrisk verktøy vil det øke risikoen for elektrisk støt.
- Unngå uforvarlig behandling av ledningen. Aldri bruk ledningen til å bære, trekke eller dra ut støpselet til det elektriske verktøyet. Hold ledningen borte fra varme, olje, skarpe kanter eller bevegelige deler.** Skadede eller innviklede ledninger øker risikoen for elektrisk sjokk.

- e. Når du bruker et elektroverktøy utendørs, må du bruke en skjøteledning som er egnet til utendørs bruk. Bruk av en skjøteledning beregnet for utendørs bruk reduserer risikoen for elektrisk støt.
- f. Hvis du ikke kan unngå å bruke elektroverktøy på et fuktig sted, må du bruke en strømforsyning som er beskyttet med jordfeilbryter (RCD). Bruk av jordfeilbryter (RCD) reduserer risikoen for elektrisk støt.
3. Personlig sikkerhet
- a. Vær oppmerksom, pass på hva du gjør, og vis sunn fornuft når du arbeider med et elektroverktøy. Ikke bruk et elektrisk verktøy dersom du er trøtt eller er påvirket av medikamenter, narkotika eller alkohol. Ett øyeblikks uoppmerksomhet under bruk av elektriske verktøy kan føre til alvorlig personskade.
- b. Bruk personlig verneutstyr. Bruk alltid vernebriller. Verneutstyr slik som støvmaske, skliskre vernesko, hjelm eller hørselsvern brukt under passende forhold vil redusere personskader.
- c. Forhindre utilsiktet start. Kontroller at bryteren står i posisjon «av» før du kobler til strømkilden og/eller batteripakken, og før du tar opp eller bærer verktøyet. Å bære elektriske verktøy med fingeren på bryteren eller å sette inn støpselet mens elektriske verktøy har bryteren på øker faren for ulykker.
- d. Fjern eventuelt innstillingsverktøy eller skruverktøy før du slår på elektroverktøyet. Et skruverktøy eller en nøkkel som fortsatt er festet til en roterende del av elektroverktøyet, kan føre til personskade.
- e. Ikke strekk deg for langt. Ha godt foffeste og stå støtt hele tiden. Dette fører til at du har bedre kontroll over det elektriske verktøyet ved uventede situasjoner.
- f. Bruk egnede klær. Ikke ha på deg løstsittende klær eller smykker. Hold hår og klær borte fra bevegelige deler. Løstsittende klær, smykker og langt hår kan bli fanget opp av bevegelige deler.
- g. Hvis det kan monteres støvavsug- og oppsamlingsinnretninger, må du forvisse deg om at disse er tilkoblet og brukes på riktig måte. Bruk av støvoppsamlere kan redusere støvrelaterte farer.
- h. Ikke la din erfaring fra hyppig bruk av verktøy føre til at du blir likegyldig og ignorerer sikkerhetsprinsippene for verktøyet. En uforsiktig handling kan føre til alvorlige personskader på brøkdelen av et sekund.
4. Bruk og stell av elektriske verktøy
- a. Ikke bruk makt på elektroverktøyet. Bruk det elektriske verktøyet som situasjonen krever. Det riktige elektriske verktøyet vil gjøre jobben bedre og tryggere ved den hastigheten det ble konstruert for.
- b. Ikke bruk elektroverktøyet hvis du ikke kan slå det på og av med bryteren. Ethvert elektrisk verktøy som ikke kan kontrolleres med bryteren er farlig og må repareres.
- c. Koble støpselet fra strømkilden og/eller ta av batteripakken fra det elektriske verktøyet, hvis det er avtagbart, før du foretar noen justeringer, endrer tilbehør eller lagrer elektriske verktøy. Slike preventive sikkerhetsforanstaltninger reduserer risikoen for å starte det elektriske verktøyet ved et uhell.
- d. Elektroverktøy som ikke er i bruk, må oppbevares utilgjengelig for barn. Ikke la verktøyet bli brukt av personer som ikke er fortlørlige med det, eller som ikke kjenner disse instruksjonene. Elektriske verktøy er farlige i hendene på utrenede brukere.
- e. Sørg for vedlikehold av elektroverktøy og tilbehør. Kontroller om bevegelige deler er feiljustert eller fastskjært, om deler er ødelagt eller andre forhold som kan påvirke driften av verktøyet. Dersom det er skadet, få verktøyet reparert før neste bruk. Mange ulykker forårsakes av dårlig vedlikeholdte verktøy.
- f. Hold skjæreverktøy skarpe og rene. Godt vedlikeholdte skjæreverktøy med skarpe skjærekanten setter seg mindre sannsynlig fast og er lettere å kontrollere.
- g. Bruk elektroverktøy, tilbehør, bor osv. i henhold til disse instruksjonene. Ta hensyn til arbeidsforholdene og arbeidet som skal utføres. Bruk av det elektriske verktøyet for oppgaver som er forskjellige fra de som er tiltenkt kan føre til en farlig situasjon.
- h. Hold håndtak og gripeflater tørre, rene og frie for olje og fett. Glatte håndtak og gripeflater forhindrer trygg håndtering og kontroll av verktøyet i uventede situasjoner.
5. Service
- a. Elektroverktøyet skal repareres av kvalifisert personell og bare med originale reservedeler. Dette vil sikre at verktøyet sikkerhet blir ivaretatt.

## Sikkerhetsadvarsler for hammere

### Sikkerhetsinstruksjoner for all bruk

- ◆ Bruk hørselsvern. Å bli utsatt for støy kan forårsake hørselstap.
- ◆ Bruk hjelpehåndtak, hvis det følger med verktøyet. Å miste kontroll kan forårsake personskade.
- ◆ Hold bare i de isolerte grepene på elektroverktøyet når du utfører et arbeid hvor kutteutstyret kan komme i kontakt med skjulte ledninger eller sin egen kabel. Hvis skjæretilbehøret kommer i kontakt med en strømførende ledning, kan frittliggende metalldele på verktøyet bli strømførende, og brukeren kan få elektrisk støt.

## Ekstra sikkerhetsanvisninger for hammere

- ◆ **Bruk klemmer eller en annen praktisk måte å feste og støtte arbeidsstykket på en stabil plattform.** Å holde arbeidsstykket i hendene eller mot kroppen er ustabil og kan føre til at du mister kontroll.
- ◆ **Bruk vernebriller eller annen øyeskyttelse. Meiseloperasjoner gjør at fliser flyr gjennom luften.** Flyvende partikler kan forårsake permanent øyeskade. Bruk en støvmaske eller respirator i situasjoner som genererer støv. Hørselsvern trenges for de fleste bruksområder.
- ◆ **Hold godt fast i verktøyet til enhver tid. Prøv ikke å bruke dette verktøyet uten at du holder i det med begge hender. Det anbefales at du bruker sidehåndtaket hele tiden.** Bruk av verktøyet med kun en hånd resulterer i at du mister kontroll. Brudd gjennom eller støt mot harde materialer så som armering kan også være farlig. Stram sidehåndtaket godt før bruk.
- ◆ **Bruk ikke dette verktøyet i lange perioder.** Vibrasjon forårsaket av slagaksjonen kan skade hendene og armene. Bruk hansker for å gi ekstra polstring og begrense risikoen ved å hvile ofte.
- ◆ **Ikke slip bitsene selv.** Sliping av meisler skal utføres av en autorisert spesialist. Feilslipte meisler kan føre til personskade.
- ◆ **Bruk hansker når du bruker verktøyet eller skifter bits.** Tilgjengelige metalldeleer på verktøyet og bits kan bli ekstremt varmt under bruk. Små løse biter av materiale kan skade nakne hender.
- ◆ **Ikke legg elektroverktøyet fra deg før biten har stanset helt.** Bevegende bits kan forårsake personskade.
- ◆ **Ikke slå fastkilte bits med en hammer for å løsne dem.** Metallfragmenter eller materialbiter kan løsne og forårsake personskade.
- ◆ **Meisler som er litt slitt kan skjerpes igjen ved sliping.**
- ◆ **Hold strømkabelen borte fra den roterende biten. Ikke vikle kabelen rundt noen del av kroppen din.** En elektrisk ledning som er viklet rundt en spinnende bit kan føre til personskade og at du mister kontroll.

## Andre personers sikkerhet

- ◆ Det er ikke meningen at dette apparatet skal brukes av personer (inkludert barn) med redusert fysiske, sensoriske eller mentale evner, eller mangel på erfaring og kunnskap, med mindre de får tilsyn eller har blitt opplært i bruk av apparatet av en person ansvarlig for deres sikkerhet.
- ◆ Barn må holdes under oppsyn, sørg for at de ikke leker med apparatet.

## Restrisikoer

Noen restrisikoer kan oppstå ved bruk av verktøyet som ikke er tatt med i de vedlagte sikkerhetsanvisningene.

Disse risikoene kan bli forårsaket av feil bruk, langvarig bruk osv.

Selv ved bruk av de aktuelle sikkerhetsanvisningene og bruk av verneutstyr, kan visse rest-risikoer ikke unngås.

Disse inkluderer:

- ◆ Personskader som forårsakes av berøring av en roterende/bevegelig del.
- ◆ Personskader som oppstår ved skifte av deler, blader eller tilbehør.
- ◆ Personskader som skyldes for lang tids bruk av verktøyet. Ved bruk av et verktøy i lange perioder, må du sørge for å ta regelmessige pauser.
- ◆ Hørselskader.
- ◆ Helsefarer som følge av innånding av støv forårsaket av bruken av verktøyet (eksempel:- arbeid med treverk, spesielt eik, bøk og MDF.)

## Vibrasjon og støv

Vibrasjons- og støyemisjonsverdiene oppgitt i de tekniske dataene og samsvarserklæringen, er målt i henhold til en standard testmetode som er angitt i EN62841 og kan brukes til å sammenligne ett verktøy med et annet.

Den oppgitte vibrasjons- og støyemisjonsverdien kan også brukes til en foreløpig vurdering av eksponering.

**ADVARSEL!** Vibrasjons- og støynivåene under faktisk bruk av elektroverktøyet kan avvike fra den oppgitte verdien avhengig av måten verktøyet blir brukt på. Vibrasjons- og støynivået kan øke over de oppgitte verdiene.

Når det vurderes vibrasjonseksponering for å avgjøre hvilke sikkerhetstiltak som kreves ifølge 2002/44/EF, for å beskytte personer som bruker elektroverktøy regelmessig til arbeidsformål, skal det, når vibrasjonseksponeringen anslås, tas hensyn til de faktiske bruksforholdene og måten verktøyet blir brukt på. Dette inkluderer å ta hensyn til alle deler av brukssyklusen, for eksempel når verktøyet er avslått, når det går på tomgang og når utløseren er trykket inn.

## Etiketter på verktøyet

Følgende symboler vises på verktøyet sammen med datokoden:



**ADVARSEL!** For å redusere skaderisikoen, les bruksanvisningen.



Bruk vernebriller.



Bruk hørselsvern.

## Elektrisk sikkerhet



Dette verktøyet er dobbeltisolert. Jording er derfor ikke nødvendig.

Kontroller alltid at strømforsyningen samsvarer med spenningen på merkeskiltet.

- ◆ Hvis strømledningen blir skadet, må den skiftes av produsenten eller et autorisert Stanley Fatmax-servicesenter så man unngår fare.

## Bruke skjøteledning

Bruk alltid en godkjent skjøteledning som passer til inngangseffekten for dette verktøyet (se tekniske data). Skjøteledningen må passe for utendørs bruk og skal være merket i samsvar med dette. Opptil 30 m 1.5 mm<sup>2</sup> H05VV V-F-skjøteledning kan brukes uten tap av ytelse for produktet. Før bruk må du undersøke skjøteledningen for tegn på skade, slitasje og aldring. Bytt skjøteledningen hvis den er skadet eller defekt. Vikle alltid ut kabelen fullstendig når du bruker en kabeltrommel.

## Funksjoner

Dette verktøyet har følgende egenskaper og funksjoner.

1. Sidehåndtak
2. Bryter
3. Sylinderdeksel
4. SDS MAX Chuck
5. Inntak for smørelje

## Bruk

**ADVARSEL!** Før du utfører noen av fremgangsmåtene nedenfor, må du kontrollere at verktøyet er slått av og kontakten plagget ut.

## Slå på og av (fig. A)

- ◆ For å kjøre verktøyet, trykk på bryteren (2) og vri den til 'PÅ'-posisjon.
- ◆ For å stoppe verktøyet, vri det til 'AV'-posisjon og slipp bryteren (2).

## Montere sidehåndtaket (figur B)

Sidehåndtaket (1) kan monteres for å tilpasses både høyrehendte og venstrehendte brukere.

**ADVARSEL!** Ikke bruk verktøyet uten at sidehåndtaket er riktig montert.

- ◆ Løsne sidehåndtaket.
- ◆ For høyrehendte brukere: Skyv klemmen til sidehåndtaket over kragen bak verktøyholderen, håndtak til venstre. For venstrehendte brukere: Skyv klemmen til sidehåndtaket over kragen bak verktøyholderen, håndtak til høyre.
- ◆ Drei sidehåndtaket til ønsket posisjon og stram til håndtaket.

## Sette inn og fjerne SDS Max tilbehør (figur C, D)

Dette verktøyet bruker SDS Max-tilbehør (se figur D for tverrsnitt av et SDS Max-bitskaft).

Vi anbefaler at det brukes kun profesjonelt tilbehør.

- ◆ Rengjør og smør bitskaftet.
- ◆ Sett inn bitskaftet i bitholderen/verktøyhylsen (4).
- ◆ Dytt boret ned og vri den litt til den passer inn i sporene.
- ◆ Dra i biten for å sjekke at den er riktig låst. The Hammerfunksjonen krever at bittet kan bevege seg aksialt flere centimeter når det er låst i verktøyholderen.
- ◆ For å fjerne en bit, trekk tilbake verktøyholderen/låsehylsen (4), som vist i figur C, og trekk ut biten.

**ADVARSEL!** Bruk alltid hansker når du skifter tilbehør. Utsatte metalldeleer på verktøyet og tilbehøret kan bli ekstremt varme under bruk.

## Meisling og hakking (figur E)

- ◆ Sett i en egnet meisel (medfølger ikke) i riktig posisjon.
- ◆ Juster sidehåndtaket (1) etter behov.
- ◆ Slå på verktøyet og begynn arbeidet.
- ◆ Slå alltid av verktøyet når arbeidet er ferdig og før du trekker ut støpselet.
- ◆ Følg alltid sikkerhetsanvisningene og gjeldende regler.
- ◆ Vær oppmerksom på hvor rør og ledninger befinner seg.
- ◆ Bruk bare lett trykk på verktøyet (ca. 5 kg). Overdreven kraft fremskynder ikke meislingen, men reduserer verktøyet ytelse og kan forkorte levetiden til verktøyet.
- ◆ Hold alltid verktøyet godt i begge hender og sørg for en sikker stilling. Bruk verktøyet kun når sidehåndtaket er riktig montert.

## Korrekt plassering av hendene (figur F)

**ADVARSEL!** For å redusere faren for alvorlig personskade, skal man ALLTID ha hendene i korrekt posisjon, som vist.

**ADVARSEL!** For å redusere faren for alvorlig personskade, skal du ALLTID hold godt fast i tilfelle en kraftig reaksjon.

Riktig håndposisjon krever en hånd på sidehåndtaket (1), med den andre hånden på hovedhåndtaket.

**ADVARSEL!** Du skal ikke bruke dette verktøyet til å blande eller pumpe lett antennelige eller eksplosive væsker (bensin, alkohol, osv.).

Ikke rør eller bland brennbare væsker som er merket slik.

## Tilbehør

Verktøyet ytelse avhenger av hva slags tilbehør som brukes. Stanley Fat Max-tilbehør er produsert etter høye kvalitetsstandarder og er konstruert for å bedre verktøyet ytelse. Hvis du bruker dette tilbehøret, yter verktøyet best mulig.

## Vedlikehold

Ditt Stanley Fat Max elektriske verktøy (med eller uten strømkabel) er designet for å virke over en lang tidsperiode med et minimum av vedlikehold. For at den skal fungere tilfredsstillende over tid, er det viktig å sørge for riktig stell og regelmessig renhold.

**ADVARSEL!** Før du foretar noe vedlikehold på elektriske verktøy med eller uten strømkabel:

- ◆ Slå av apparatet/verktøyet og trekk ut støpselet.
- ◆ Eller slå av og fjern batteriet hvis apparatet/verktøyet har separat batteripakke.
- ◆ Eller la batteriet gå helt tomt hvis det er innebygd, og slå deretter av.
- ◆ Trekk ut laderen fra stikkkontakten før du rengjør den. Laderen krever ikke annet vedlikehold enn regelmessig rengjøring.
- ◆ Rengjør ventilasjonsåpningene i apparatet/verktøyet/laderen jevnlig med en myk børste eller tørr klut.
- ◆ Rengjør motorhuset regelmessig med en fuktig klut. Ikke bruk slipende eller løsemiddelbaserte rengjøringsmidler.
- ◆ Åpne chocken og bank på den regelmessig for å fjerne eventuelt støv fra innsiden (hvis det er aktuelt).

## Strømstøpsel utskifting (kun U.K. & Irland)

Dersom du trenger å sette på et nytt støpsel:

- ◆ Kast det gamle støpselet på en trygg måte.
- ◆ Koble den brune ledningen til den strømførende terminalen i det nye støpselet.
- ◆ Koble den blå ledningen til den nøytrale terminalen.

**ADVARSEL!** Jordingslederen skal ikke kobles til. Følg monteringsanvisningen som medfølger støpsler av god kvalitet. Anbefalt sikring: 10 A.

## Miljøvern



Separat avfallshåndtering. Produkter og batterier merket med dette symbolet skal ikke kastes i vanlig husholdningsavfall.

Produkter og batterier inneholder materialer som kan gjenbrukes eller gjenvinnes for å redusere behovet for nye råmaterialer.

Vennligst lever elektrisk utstyr og batterier til gjenbruk i henhold til lokale retningslinjer. Mer informasjon finner du på [www.2helpU.com](http://www.2helpU.com)

## Tekniske data

		SFMEH220 (Type 01)
Spenning	V	230
Frekvens	Hz	50
Inngangseffekt	W	1010
Slagfrekvens	bpm	2900
Slagenergi (EPTA/maks)	J	8,5
Chuck-type		SDS Max
Vekt	kg	6,3

Lydtrykknivå i henhold til EN62841:		
Lydtrykk ( $L_{pA}$ )	dB(A)	95
Lydtrykk-usikkerhet ( $K_{pA}$ )	dB(A)	3
Lydeffekt ( $L_{wA}$ )	dB(A)	103
Lydeffekt-usikkerhet ( $K_{wA}$ )	dB(A)	1,8
Vibrasjonsemissionsverdi ah (meisling):		
( $a_{h,Choc}$ )	m/s <sup>2</sup>	14,3
Usikkerhet (K)	m/s <sup>2</sup>	1,5

## EU-samsvarserklæring

MASKINDIREKTIVET



SFMEH220 Meiselhammer

Stanley Europe erklærer at disse produktene som er beskrevet under "Tekniske data", er i samsvar med: 2006/42/EF.

EN62841-1:2015+A11:2022, EN IEC62841-2-6:2020 +A11:2020. Disse produktene er også i samsvar med direktiv 2014/30/EU og 2011/65/EU.

2000/14/EU Elektrisk betongknuser (håndholdt-),  $m \leq 15$  kg, vedlegg VI, DEKRA Testing and Certification GmbH, Handwerkstraße 15, 70565 Stuttgart.

Adresse godkjenninginstans, Dinnendahlstr. 9, 44809 Bochum, Tyskland Kontrollorgan nummer: 0158 LWA (målt lydeffekt) 103 dB(A), usikkerhet (K) = 1,8 dB (A), LWA

(garantert lydeffekt) 105 dB(A). For mer informasjon, kontakt Stanley Fat Max på følgende adresse, eller se på baksiden av bruksanvisningen.



Undertegnede er ansvarlig for sammenstillingen av den tekniske filen, og fremsetter denne erklæringen på vegne av Stanley Fat Max.

*Patrick Diepenbach*

Patrick Diepenbach, General Manager, Benelux Stanley Fat Max, Egide Walschaertsstraat 14-18 2800 Mechelen, Belgia  
12.30.2022

## Garanti

Stanley Fat Max er trygg på kvaliteten av produktene sine og tilbyr en 12 måneders garanti fra kjøpsdato. Denne garantierklæringen kommer i tillegg til dine lovbestemte rettigheter og er ikke i konflikt med disse. Garantien er gyldig innen områdene tilhørende medlemslandene i den Europeiske Union (EU), det Europeiske Frihandelsområdet (EFTA) og i Storbritannia. For å ta garantien i bruk må kravet være i samsvar med kjøpsbetingelsene fra Stanley Fat Max og du må vise kjøpskvittering til forhandleren eller til et autorisert serviceverksted. Betingelsene for Stanley Fat Max 1 års garanti og adressen til din nærmeste autoriserte serviceverksted kan du finne på internett under [www.2helpU.com](http://www.2helpU.com), eller ved å kontakte ditt lokale Stanley Fat Max kontor, adressen er angitt i denne bruksanvisningen. Besøk vår nettside [www.stanley.eu/3](http://www.stanley.eu/3) for å registrere deg. Besøk vår nettside [www.stanley.eu/3](http://www.stanley.eu/3) for å registrere deg ditt nye Stanley Fat Max produkt og for å holde deg oppdatert om nye produkter og spesialtilbud.

## Informasjon om miljøvern

Vi hos Stanley Black & Decker er engasjement for miljøvern og bærekraft en kjerneverdi for våre produsenters livssyklus. Emballasjen på produktet ditt skal håndteres korrekt (sjekk materialakoden) når du bestemmer deg for å kaste den, så sjekk også med lokale myndigheter for rettleiding om avfallshåndtering. Materialer fra våre elektriske produkter og komponenter - så som batterier - inneholder viktige råstoffer og skal også håndteres korrekt når levetiden deres er over. De kan leveres til et lokalt gjenvinningscenter eller til en relevant forhandler. Bruks- og sikkerhetsanvisninger skal først kastes når produktene de omhandler ikke lenger er i bruk. Skann QR-koden for mer informasjon.

**StanleyBlack&Decker**



**Tilsigtet bruk** STANLEY FATMAX® SFMEH220 nedbrydningshammer er blevet utviklet til let eller middel fræsning, meisljng og nedbrydningsoppgaver i betong, murstein og murværk. Dette værktøj er beregnet til erhvervsmæssig bruk og privat ikke-erhvervsmæssig bruger.

## Sikkerhedsvejledning

### Generelle sikkerhedsadvarsler for elektrisk værktøj



**ADVARSEL!** Læs alle sikkerhedsadvarsler, instruktioner, illustrationer og specifikationer, der følger med dette elværktøj. Hvis efterfølgende advarsler og instruktioner ikke følges, er der risiko for elektrisk stød, brand og alvorlige kvæstelser.

### Gem alle advarsler og instruktioner

for fremtidig reference. Termen "elværktøj" i advarslerne refererer til dit elektroniske (ledning) eller batteribetjente (trådløse) elværktøj.

#### 1. Sikkerhed i arbejdsområdet

- Hold arbejdsområdet rent og ordentligt oplyst.** Rodede eller mørke områder giver anledning til ulykker.
- Brug ikke elværktøj i eksplosive omgivelser, f.eks. hvor der er brændbare væsker, gasser eller støv.** Elværktøj danner gnister, der kan antænde støv eller dampe.
- Hold børn og andre personer i nærheden på afstand, når der arbejdes med elværktøj.** Distraktioner kan medføre, at du mister kontrollen.

#### 2. Elektricitet og sikkerhed

- Elværktøjets stik skal passe til kontakten. Stikket må aldrig modificeres på nogen måde. Undlad at bruge adapterstik sammen med (jordforbundet) elektrisk værktøj.** Umodificerede stik og dertil passende stikkontakter reducerer risikoen for elektrisk stød.
- Undgå kropskontakt med jordfødne overflader som f.eks. rør, radiatorer, komfurer og køleskabe.** Der er øget risiko for elektrisk stød, hvis din krop er jordforbundet.
- Udsæt ikke elværktøj for regn, og brug det ikke, hvor omgivelserne er våde.** Hvis der trænger vand ind i et elektrisk værktøj, øges risikoen for elektrisk stød.
- Pas på, at ledningen ikke beskadiges. Brug aldrig ledningen til at bære, trække værktøjet eller trække det ud af stikkontakten. Hold ledningen borte fra varme, olie, skarpe kanter og bevægelige dele.** Beskadigede eller sammenfiltrede ledninger øger risikoen for elektrisk stød.



- e. **Hvis elværktøj benyttes i det fri, skal der benyttes en forlængerledning, som er godkendt til udendørs brug.** Brug af en ledning, der er egnet til udendørs brug, reducerer risikoen for elektrisk stød.
- f. **Brug en strømkilde med fejlstrømsrelæ, hvis det er nødvendigt at anvende elværktøj på fugtige steder.** Ved at benytte en fejlstrømsafbryder reduceres risikoen for elektrisk stød.
- 3. Personssikkerhed**
- a. **Vær opmærksom, hold øje med, hvad du laver, og brug elværktøjet fornuftigt. Betjen ikke værktøjet, hvis du er træt, påvirket af narkotika, alkohol eller medicin.** Et øjeblikvis uopmærksomhed under anvendelse af et elektrisk værktøj kan forårsage alvorlige kvæstelser.
- b. **Brug personligt beskyttelsesudstyr. Bær altid beskyttelsesbriller.** Det er muligt at reducere risikoen for kvæstelser ved alt efter omstændighederne at anvende det passende sikkerhedsudstyr såsom en støvmaske, skridsikre sikkerhedssko, sikkerhedshjelm eller høreværn.
- c. **Træf forholdsregler, så utilsigtet start ikke er mulig. Kontrollér, at afbryderkontakten står på slukket, inden værktøjet tilsluttes strømkilden og/eller batteriet, samles op eller bæres.** Når elektrisk værktøj bæres med fingeren på kontakten eller tilsluttes, når kontakten er tændt, giver det anledning til ulykker.
- d. **Fjern indstillingsnøgle eller skruenøgle, inden elværktøjet startes.** En skruenøgle eller anden nøgle, der bliver siddende på en roterende del af elektrisk værktøj, kan give anledning til personskade.
- e. **Stræk dig ikke for langt. Hold hele tiden en god fodstilling og balance.** Dette gør, at du har bedre kontrol over det elektriske værktøj, når uventede situationer opstår.
- f. **Brug egnet arbejdstøj. Bær ikke løst tøj eller smykker. Hold dit hår og tøj væk fra bevægelige dele.** Løstsiddende tøj, smykker eller langt hår kan blive fanget i bevægelige dele.
- g. **Hvis der kan monteres støvudsugnings- og opsamlingsudstyr, skal dette tilsluttes og benyttes korrekt.** Anvendelse af støvopsamlingsudstyr kan begrænse farer forårsaget af støv.
- h. **Lad ikke kendskab fra hyppig brug af værktøjer lade dig blive tilbagelænet og ignorere principper for værktøjsikkerhed.** En skødesløs handling kan forårsage alvorlig personskade inden for en brøkdel af et sekund.
- 4. Brug og vedligeholdelse af elværktøj**
- a. **Overbelast ikke elværktøjet. Brug det elværktøj, der er bedst egnet til det arbejde, der skal udføres.** Værktøjet vil klare opgaven bedre og mere sikkert med den ydelse, som det er beregnet til.
- b. **Brug ikke elværktøjet, hvis afbryderkontakten er defekt.** Alt elektrisk værktøj, der ikke kan kontrolleres med kontakten, er farligt og skal repareres.
- c. **Træk stikket ud af stikkontakten og/eller fjern batteripakken, hvis aftagelig fra det elektriske værktøj, før det elektriske værktøj justeres, dets tilbehør udskiftes, eller det stilles til opbevaring.** Sådanne forebyggende sikkerhedsforanstaltninger mindsker risikoen for, at værktøjet startes utilsigtet.
- d. **Opbevar ubenyttet elværktøj uden for børns rækkevidde. Lad aldrig personer, der ikke er fortrolige med elværktøjet, eller som ikke har læst denne vejledning, benytte maskinen.** El-værktøj er farligt i hænderne på personer, som ikke er instrueret i brugen deraf.
- e. **Elværktøj og tilbehør skal vedligeholdes. Undersøg om bevægelige dele sidder skævt, binder eller er gået itu såvel som andre forhold, der kan påvirke betjeningen af værktøjet. Hvis det elektriske værktøj er beskadiget, skal det repareres før brug.** Mange ulykker er forårsaget af dårligt vedligeholdt værktøj.
- f. **Hold skæreværktøj skarpt og rent.** Ordentligt vedligeholdt skæreværktøj med skarpe skærekanter har mindre tilbøjelighed til at binde og er lettere at styre.
- g. **Brug elværktøjet, tilbehøret, værktøjsindsatser osv. i overensstemmelse med disse instruktioner under hensyntagen til arbejdsforholdene og arbejdet, der skal udføres med værktøjet.** Brug af elektrisk værktøj til andre opgaver end dem, det er beregnet til, kan resultere i en farlig situation.
- h. **Hold håndtagene og gribefladerne tørre, rene og fri for olie og fedt.** Glatte håndtag og gribeflader giver ikke mulighed for sikker håndtering og styring af værktøjet i uventede situationer.
- 5. Service**
- a. **Lad kun fagkyndige personer reparere elværktøjet og benyt kun originale reservedele.** Derved sikres det, at værktøjets driftssikkerhed opretholdes.

## Hammer sikkerhedsadvarsler

### Sikkerhedsinstruktioner til al brug

- ◆ **Bær høreværn.** Udsættelse for støj kan medføre høretab.
- ◆ **Brug de ekstra håndtag, der følger med værktøjet.** Tab af kontrol kan medføre personskade.
- ◆ **Hold fat om det elektriske værktøjs isolerede gribeflader, hvis der er risiko for, at skæreværktøjet kommer i kontakt med skjulte ledninger eller dets egen ledning.** Hvis skæretilbehøret rammer en strømførende ledning, bliver elværktøjets blottagte dele strømførende, så brugeren får stød.

## Yderligere sikkerhedsinstruktioner for hammere

- ◆ **Brug klemmer eller en anden praktisk måde på at sikre og understøtte arbejdsområdet til et stabilt underlag.** Hvis du holder fast i arbejdsområdet med din hånd eller krop, vil det være ustabil, og det kan medføre, at du mister kontrollen over det.
- ◆ **Bær sikkerhedsbriller eller anden beskyttelse af øjnene. Hammerfunktioner kan medføre flyvende splinter.** Flyvende partikler kan forårsage permanente øjenskader. Bær en støvmaske eller respirator til opgaver, der genererer støv. Høreværn kan være påkrævet til de fleste opgaver.
- ◆ **Hold godt fast på værktøjet hele tiden. Forsøg ikke på at arbejde med dette værktøj uden at holde ved det med begge hænder. Det anbefales altid at bruge sidehåndtaget.** Hvis du arbejder med dette værktøj med en hånd, kan du miste kontrollen over det. Gennembrydning af eller møde med hårde materialer som f.eks. armeringsjern kan også være farligt. Fastspænd omhyggeligt sidehåndtaget før brug.
- ◆ **Arbejd ikke med dette værktøj i længere tid ad gangen.** Vibrationer fra hammeren kan beskadige dine hænder og arme. Brug handsker som ekstra stødpude og begræns risikoen ved at holde hyppige pauser.
- ◆ **Istandsæt ikke selv bor.** Istandsættelse af mejselbor bør udføres af en autoriseret specialist. Forkert istandsatte mejselbor kan forårsage personskade.
- ◆ **Bær handsker under betjening af værktøj eller udskiftning af bor.** Tilgængelige metaldele på værktøjet og bor kan blive meget varme under drift. Små stykker brækket materiale kan odelægge bare hænder.
- ◆ **Læg aldrig værktøjet fra dig, før boret er standset helt.** Bor i bevægelse kan forårsage personskade.
- ◆ **Ram ikke fastklemte bor med en hammer for at løse dem.** Metaldele eller materialesplinter kan løsne sig og forårsage personskade.
- ◆ **Let slidte mejselbor kan genskærpes gennem slibning.**
- ◆ **Hold strømledningen på afstand af det roterende bor. Ledningen må ikke vikles om nogen del af din krop.** En elektrisk ledning viklet omkring et roterende bor kan forårsage personskade og tab af kontrol.

## Andres sikkerhed

- ◆ Dette værktøj må ikke anvendes af personer (herunder børn) med nedsatte fysiske, sensoriske eller mentale evner eller manglende erfaring og viden, medmindre de er under opsyn eller er blevet instrueret i brug af værktøjet af en person, der er ansvarlig for deres sikkerhed.
- ◆ Børn skal holdes under opsyn for at sikre, at de ikke leger med værktøjet.

## Tilbageværende risici

Yderligere restrisici kan opstå, når du bruger værktøjet på en måde, som måske ikke er omfattet af de vedlagte sikkerhedsadvarsler. Disse risici kan opstå pga. forkert anvendelse, langvarig brug etc.

På trods af overholdelsen af de relevante sikkerhedsregler og brug af sikkerhedsudstyr kan visse restrisici ikke undgås. Disse omfatter:

- ◆ Tilskadekomst forårsaget af berøring af roterende/bevægelige dele.
- ◆ Tilskadekomst forårsaget af udskiftning af dele, klinger eller tilbehør.
- ◆ Tilskadekomst forårsaget af langvarig brug af et værktøj. Ved brug af et værktøj i længere tid, husk at holde jævnlige pauser.
- ◆ Hørenedsættelse.
- ◆ Helbredsmæssige skader på grund af indånding af støv, når du bruger dit værktøj (f.eks.: under arbejde træ, specielt eg, bøg og MDF.)

## Vibration og støj

Vibrations- og støjemissionsværdien, som er specificeret i de tekniske data og overensstemmelseserklæringen, er målt i henhold til standard-testmetoden i EN62841 og kan bruges til at sammenligne ét værktøj med et andet.

Den angivne værdi for udsendelse af vibration og støj kan også bruges i forbindelse med en foreløbig vurdering af eksponeringen.

**ADVARSEL!** Værdien for udsendelse af vibration og støj i forbindelse med den faktiske anvendelse af elværktøjet kan afvige fra den angivne værdi afhængig af metoden, hvormed værktøjet anvendes. Vibrations- og støjniveauet kan overstige det angivne niveau.

I vurderingen af eksponeringen for vibration med henblik på fastsættelse af sikkerhedsforanstaltninger som krævet i 2002/44/EF til beskyttelse af personer, der jævnligt anvender elværktøj i deres arbejde, skal der tages hensyn til de faktiske betingelser under brugen, og måden værktøjet bruges på, herunder alle arbejdsrytters afsnit, f.eks. perioder, hvor værktøjet er slukket, og hvor det kører i tomgang, tillige med startperioderne.

## Mærkater på værktøjet

Værktøjet er forsynet med følgende piktogrammer sammen med en datokode:



**ADVARSEL!** Brugeren skal læse brugervejledningen for at reducere risikoen for kvæstelser.



Bær sikkerhedsbriller eller beskyttelsesbriller.



Bær høreværn.

## Elektricitet og sikkerhed



Dette værktøj er dobbelt isoleret, derfor er en jordledning ikke nødvendig. Kontrollér altid, at strømforsyningen svarer til spændingen på mærkepladen.

- ◆ Hvis netledningen beskadiges, skal den udskiftes af producenten eller et autoriseret Stanley Fat Max-værksted, så farlige situationer undgås.

## Brug af en forlængerledning

Brug altid en godkendt forlængerledning, der er egnet til dette apparats strømstik (se de tekniske data).

Forlængerledningen skal være egnet til udendørs brug og mærket i overensstemmelse hermed. Der kan bruges en H05VV-F-forlængerledning på op til 30 m med et tværsnit på 1,5 mm<sup>2</sup>, uden at produktets ydeevne forringes. Før brug skal forlængerledningen inspiceres for tegn på beskadigelse, slid og ældning. Udskift forlængerledningen, hvis den er beskadiget eller defekt. Ved brug af en ledningstrømle skal ledningen altid rulles helt ud.

## Funktioner

På dette værktøj findes nogle eller alle funktioner.

1. Sidehåndtag
2. Kontakt
3. Cylinderdæksel
4. SDS MAX-patron
5. Åbning til indsprøjtning af smøreolie

## Anvendelse

**ADVARSEL!** Sørg for at værktøjet er afbrudt, og at stikket er taget ud, inden nogle af de følgende funktioner foretages.

## Sådan tændes og slukkes (fig. A)

- ◆ Tænd for værktøjet ved at trykke på kontakten (2) og sætte den i 'TÆND'-positionen.
- ◆ Stop værktøj ved at dreje det i 'SLUK'-position og slippe kontakten (2).

## Montering af sidehåndtaget (fig. B)

Sidehåndtaget (1) kan monteres, så det passer både til højre- og venstrehåndede brugere.

**ADVARSEL!** Værktøjet må ikke anvendes uden sidehåndtaget monteret korrekt.

- ◆ Løsn sidehåndtaget.
- ◆ For højrehåndede brugere: Skub sidehåndtagets klampe over manchetten bag værktøjsholderen, håndtag til venstre. For venstrehåndede brugere: Skub sidehåndtagets klampe over manchetten bag værktøjsholderen, håndtag til højre.
- ◆ Drej sidehåndtaget til den ønskede position og spænd håndtaget.

## Indsætning og aftagning af SDS Max-tilbehør (fig. C,D)

Dette værktøj bruger SDS Max-tilbehør (se figur D for et tværsnit af et SDS Max-borskaft). Vi anbefaler kun at bruge professionelt tilbehør.

- ◆ Rengør og smør borskaftet.
- ◆ Indsæt borskaftet i borholderen/værktøjsbøsningen (4).
- ◆ Skub boret ned og drej det lidt, indtil det passer ind i hullerne.
- ◆ Træk i boret for at kontrollere, om det er fastgjort korrekt. Hamringsfunktionen kræver, at boret skal kunne bevæge sig adskillige centimeter aksialt, når der er fastgjort i værktøjsholderen.
- ◆ For at fjerne boret en smule skal du trække værktøjsholderen/låsmanchetten (4) en smule tilbage, som vist i figur C, og trække boret ud.

**ADVARSEL!** Bær altid handsker, når du udskifter tilbehør.

De eksponerede metaldele på værktøjet og tilbehør kan blive meget varme under drift.

## Fræsning og mejsling (fig. E)

- ◆ Indsæt den passende mejsel (medfølger ikke) i den rette position.
- ◆ Juster sidehåndtaget (1) efter behov.
- ◆ Tænd for værktøjet og start arbejdet.
- ◆ Sluk altid for værktøjet, når arbejdet er udført, og inden stikket tages ud.
- ◆ Overhold altid sikkerhedsinstruktionerne og de gældende regler.
- ◆ Vær opmærksom på placeringen af rør og ledninger.
- ◆ Udøv kun et ganske let tryk mod værktøjet (ca. 5 kg). Et kraftigt tryk gør ikke mejslingen hurtigere, men reducerer værktøjets ydeevne og kan forkorte værktøjets levetid.
- ◆ Hold altid godt fast i værktøjet med begge hænder, og hav et sikkert fodfæste. Værktøjet må kun anvendes med sidehåndtaget monteret korrekt.

## Korrekt håndposition (fig. F)

**ADVARSEL!** For at reducere risikoen for alvorlig personskade skal du ALTID anvende den rette håndposition som vist.

**ADVARSEL!** For at reducere risikoen for alvorlig personskade skal du ALTID holde godt fast i tilfælde af en pludselig reaktion.

Korrekt håndposition kræver en hånd på sidehåndtaget (1), med den anden hånd på hovedhåndtaget.

**ADVARSEL!** Brug ikke dette værktøj til at blande eller pumpe let brændbare eller eksplosive væsker (benzin, alkohol osv.). Bland eller rør ikke brandfarlige væsker sammen, der er afmærkede i overensstemmelse hermed.

## Tilbehør

Værktøjets ydeevne afhænger af det anvendte tilbehør. Tilbehør fra Stanley Fat Max er fremstillet efter høje kvalitetsstandarder og er designet til at forbedre dit værktøjs ydeevne. Når du bruger dette tilbehør, vil værktøjet yde optimalt.

## Vedligeholdelse

Dit Stanley Fat Max apparat/værktøj med eller uden ledninger er designet til at fungere i lang tid med minimal vedligeholdelse. Vedvarende tilfredsstillende funktion er afhængig af, om apparatet plejes korrekt og rengøres regelmæssigt.

**ADVARSEL!** Før udførelse af vedligeholdelse på elværktøjer med eller uden ledninger:

- ◆ Sluk og tag apparatets/værktøjets stik ud af stikkontakten.
- ◆ Eller sluk og fjern batteriet fra apparatet/værktøjet, hvis det har en separat batteripakke.
- ◆ Eller aflad batteriet helt, hvis det er indbygget, og sluk derefter.
- ◆ Træk opladeren ud af stikkontakten, før den rengøres. Opladeren kræver ingen vedligeholdelse, men skal rengøres jævnligt.
- ◆ Rengør jævnligt apparatets/værktøjets/laderens ventilationshuller med en blød børste eller en tør klud.
- ◆ Rengør med jævne mellemrum motorhuset med en fugtig klud. Der må ikke bruges skuremidler eller opløsningsmidler.
- ◆ Åbn jævnligt patronen, og bank på den for at fjerne indvendigt støv (hvis monteret).

## Udskiftning af netstik (kun Storbritannien og Irland)

Hvis et nyt lysnetstik skal monteres:

- ◆ Det gamle stik skal bortskaffes på en sikker måde.
- ◆ Slut den brune ledning til den strømførende klemme på det nye stik.
- ◆ Slut den blå ledning til den neutrale klemme.

**ADVARSEL!** Der skal ikke tilsluttes til jordklemmen. Følg de monteringsinstruktioner, der følger med stik af god kvalitet. Anbefalet sikring: 10 A.

## Miljøbeskyttelse



Særskilt bortskaffelse. Produkter og batterier mærket med dette symbol må ikke bortskaffes sammen med normalt husholdningsaffald.

Produkter og batterier indeholder materialer, der kan genvindes eller genbruges og således reducere efterspørgslen efter råvarer.

Genbrug venligst elektriske produkter og batterier i henhold til lokale bestemmelser.

Yderligere oplysninger findes på [www.2helpU.com](http://www.2helpU.com)

## Tekniske data

SFMEH220 (Type 01)		
Spænding	V	230
Frekvens	Hz	50
Effektindgang	W	1010
Slaghastighed	bpm	2900
Slagenergi (EPTA / Max)	J	8,5
Patrontype		SDS Max
Vægt	kg	6,3

Lydtrykniveau i henhold til EN62841:		
Lydtryk ( $L_{PA}$ )	dB(A)	95
Usikkerhed af lydtryk ( $K_{PA}$ )	dB(A)	3
Lydtryk ( $L_{WA}$ )	dB(A)	103
Usikkerhed af lydtryk ( $K_{WA}$ )	dB(A)	1,8
Vibrationsemissionsværdi ah (mejsling):		
( $a_{h,Chet}$ )	m/s <sup>2</sup>	14,3
Usikkerhed (K)	m/s <sup>2</sup>	1,5

## EF-overensstemmelseserklæring

MASKINDIREKTIV



SFMEH220 Nedbrydningshammer

Stanley Fat Max erklærer, at produkterne beskrevet under "Tekniske data" er i overensstemmelse med: 2006/42/EF. EN62841-1:2015+A11:2022, EN IEC62841-2-6:2020 +A11:2020. Disse produkter er endvidere i overensstemmelse med direktiv 2014/30/EU og 2011/65/EU.

2000/14/EF, Elektrisk nedbrydningshammer (håndholdt), m ≤ 15 kg, Bilag VI, DEKRA Testing and Certification GmbH, Handwerkstraße 15, 70565 Stuttgart.

Certificeringsorganets beliggenhed, Dinnendahlstr. 9, 44809 Bochum, Tyskland, Nummer på notificeret organ: 0158 LWA (målt lydeffektiveau) 103 dB(A), usikkerhed (K) = 1,8 dB (A), LWA (garanteret lydeffekt) 105 dB(A). Kontakt Stanley Fat Max på nedenstående adresse, eller se vejledningens bagside for at få flere oplysninger. Undertegnede er ansvarlig for udarbejdelsen af de tekniske data og fremsætter denne erklæring på vegne af Stanley Fat Max.

*Patrick Diepenbach*

Patrick Diepenbach Generaldirektør, Benelux Stanley Fat Max, Egide Walschaertsstraat 14-18 2800 Mechelen, Belgien  
12.30.2022

## Garanti

Stanley Fat Max er sikker på kvaliteten af sine produkter og giver forbrugeren en garanti på 12 måneder fra købsdatoen. Garantien er et tillæg til forbrugerens lovmæssige rettigheder og påvirker ikke disse. Garantien er gyldig inden for medlemsstaterne af Den Europæiske Union, Det Europæiske Frihandelsområde og Det Forenede Kongerige.

Når du gør krav på garantien, skal kravet være i overensstemmelse med Stanley Fat Max vilkår og betingelser, og du skal indsende dokumentation for købet til sælgeren eller til en autoriseret reparatør. Vilkår og betingelser for Stanley Fat Max 1 års garanti og placeringen af dit nærmeste autoriserede serviceværksted kan fås på internettet på [www.2helpU.com](http://www.2helpU.com), eller ved at kontakte dit lokale Stanley Fat Max kontor på den adresse, der er angivet i denne vejledning. Gå ind på vores websted [www.stanley.eu/3](http://www.stanley.eu/3) for at registrere dit nye Stanley Fat Max produkt og modtage opdateringer om nye produkter og specielle tilbud.

## Oplysninger om miljøbeskyttelse

Hos Stanley Black & Decker er vores forpligtelse til fortrinlighed inden for miljø og bæredygtighed gennem hele vores produktlivscyklus fortsat kernen i vores forretning. Dit produkts emballage skal håndteres korrekt (med kontrol af materialekoden), når du beslutter dig for at bortskaffe det. Kontakt derfor din kommune for vejledning til affaldshåndtering. Materialer fra vores elektriske produkter og komponenter, såsom batterier, indeholder vigtige råmaterialer og skal også håndteres korrekt, når deres levetid udløber. Disse kan afleveres til et officielt affaldscenter eller hos en deltagende forhandler. Brugs- og sikkerhedsinstruktioner bør kun bortskaffes, når det produkt, de omhandler, ikke længere er i brug. Scan QR-koden for flere oplysninger.

**StanleyBlack&Decker**



## Käyttötarkoitus STANLEY FATMAX® SFMEH220

-piikkausvasara on tarkoitettu betonin, tiilien ja muurauksien kevyeen ja keskiraskaaseen talttaukseen, piikkaukseen ja purkuun. Työkalu on tarkoitettu sekä ammatti- että yksityiskäyttöön.

## Turvallisuusohjeet

### Sähkötyökalun yleiset turvallisuusvaroitukset



**VAROITUS! Lue kaikki tämän sähkötyökalun mukana toimitetut varoitukset, käyttöohjeet, kuvat ja tekniset tiedot.** Alla olevien varoitusten ja ohjeiden noudattamisen laiminlyönti saattaa johtaa sähköiskuun, tulipaloon ja/tai vakavaan loukkaantumiseen..

### Säästä kaikki varoitukset ja ohjeet tulevaa käyttöä varten.

Ohjeissa käytetty käsite "sähkötyökalu" tarkoittaa verkkokäyttöisiä sähkötyökaluja (verkkojohdolla varustettuja) ja akkukäyttöisiä sähkötyökaluja (ilman verkkojohtoa).

#### 1. Työalueen turvallisuus

- Pidä työalue puhtaana ja hyvin valaistuna.** Onnettomuuksia sattuu herkemmin epäsiistissä tai huonosti valaistussa ympäristössä.
- Älä käytä sähkötyökalua räjähdysalttiissa ympäristössä, jossa on syttyvää nestettä, kaasua tai pölyä.** Sähkötyökalujen aiheuttamat kipinät voivat sytyttää pölyn tai kaasut.
- Pidä lapset ja sivulliset loitolla sähkötyökalua käyttäessäsi.** Keskittymiskyvyn herpaantuminen voi aiheuttaa hallinnan menettämisen.

#### 2. Sähköturvallisuus

- Sähkötyökalun pistokkeen on sovitava pistorasiaan. Älä koskaan tee pistokkeeseen mitään muutoksia. Älä yhdistä maadoitettua sähkötyökalua jatkojohtoon.** Sähköiskun vaara vähenee, jos pistokkeisiin ei tehdä muutoksia ja ne yhdistetään vain niille tarkoitettuihin pistorasioihin.
- Vältä koskettamasta maadoitettuja pintoja, kuten putkia, lämpöpattereita, liesiä tai jääkaappeja.** Voit saada sähköiskun, jos kehosi on maadoitettu.
- Älä altista sähkötyökalua sateelle tai kosteudelle.** Sähkötyökaluun menevä vesi lisää sähköiskun vaaraa.
- Älä käsittele virtajohtoa kovakouraisesti. Älä kannata työkaluja sähköjohdosta tai vedä pistoketta pistorasiasta sähköjohdon avulla. Pidä sähköjohto kaukana kuumuudesta, öljystä, terävistä reunoista tai liikkuvista osista.** Vaurioituneet tai sokeutuneet johdot lisäävät sähköiskun vaaraa.

- e. Käyttäessäsi sähkötyökalua ulkona käytä ainoastaan ulkokäyttöön soveltuvaa jatkojohtoa. Ulkokäyttöön tarkoitettun sähköjohdon käyttäminen vähentää sähköiskun vaaraa.
- f. Jos sähkötyökalua on välttämättä käytettävä kosteassa paikassa, käytä vikavirtasuojalla (RCD) suojattua virtalähdettä. Tämä vähentää sähköiskun vaaraa.

### 3. Henkilöturvallisuus

- a. Ole valpas, keskity työhön ja noudata tervettä järkeä sähkötyökalun käytössä. Älä käytä tätä työkalua ollessasi väsynyt tai alkoholin, huumeiden tai lääkkeiden vaikutuksen alaisena. Keskeyttämisen herpaantuminen hetkeksikin sähkötyökalua käytettäessä voi aiheuttaa vakavan henkilövahingon.
- b. Käytä henkilökohtaisia suojavarusteita. Käytä aina suojalaseja. Hengityssuojaimen, liukumattomien turvajalkineiden, kypärän ja kuulonsuojaimen käyttäminen vähentää henkilövahinkojen vaaraa.
- c. Vältä tahatonta käynnistämistä. Varmista, että kytkin on OFF-asennossa, ennen kuin liität laitteen virtalähteeseen ja/tai akkuun, nostat laitteen tai kannat sitä. Sähkötyökalun kantaminen sormi virtakytkimellä lisää onnettomuusvaaraa.
- d. Irrota mahdollinen säätö- tai kiintoavain ennen kuin käynnistät sähkötyökalun. Sähkötyökalun pyöriivään osaan kiinni jäänyt avain voi johtaa loukkaantumiseen.
- e. Älä kurkota. Huolehdi siitä, että sinulla on koko ajan tukeva jalansija ja hyvä tasapaino. Näin voit hallita sähkötyökalua paremmin odottamattomissa tilanteissa.
- f. Käytä tarkoitukseen soveltuvia vaatteita. Älä käytä löysiä vaatteita tai koruja. Pidä hiukset ja vaatteet loitolla liikkuvista osista. Löysät vaatteet, korut tai pitkät hiukset voivat tarttua liikkuviin osiin.
- g. Jos työkalun voi liittää polynimuriin, tarkista, että liitos on tehty asianmukaisesti ja että laitteita käytetään oikealla tavalla. Pölyn ottaminen talteen voi vähentää pölyn aiheuttamia vaaroja.
- h. Älä anna työkaluista saadun käyttökokemuksen aiheuttaa liiallista itsevarmuutta; työkalun turvallisuusohjeita tulee aina noudattaa. Huolimaton käyttö voi aiheuttaa vakavia henkilövahinkoja sekunnin murto-osassa.

### 4. Sähkötyökalujen käyttö ja hoito

- a. Älä yliuormita sähkötyökalua. Valitse käyttötarkoituksen kannalta oikea sähkötyökalu. Sähkötyökalu toimii paremmin ja turvallisemmin, kun sitä käytetään sille suunniteltuun käyttötarkoitukseen.
- b. Älä käytä sähkötyökalua, jota ei voida käynnistää ja pysäyttää virtakytkimestä.

Jos sähkötyökalua ei voi hallita kytkimen avulla, se on vaarallinen ja se on korjattava.

- c. **Katkaise sähkötyökalusta virta ja/tai irrota sen pistoke pistorasiasta tai irrota akku (jos irrotettavissa) siitä ennen säätämistä, varusteiden vaihtamista tai sähkötyökalun asettamista säilytykseen.** Näin voit vähentää vahingossa käynnistymisen aiheuttaman henkilövahingon vaaraa.
- d. Säilytä sähkötyökalut poissa lasten ulottuvilta, kun niitä ei käytetä. Älä anna sähkötyökalua sellaisen henkilön käyttöön, joka ei tunne sitä tai joka ei ole tutustunut tähän käyttöohjeeseen. Sähkötyökalut ovat vaarallisia kouluttamattomien käyttäjien käsissä.
- e. **Hoida sähkötyökaluasi ja lisävarusteita huolella.** Tarkista, että liikkuvat osat toimivat moitteettomasti ja etteivät ne ole puristuksessa. Tarkista myös, ettei työkalussa ei ole murtuneita tai vahingoittuneita osia, jotka saattaisivat vaikuttaa haitallisesti sen toimintaan. Jos havaitset vaurioita, korjauta sähkötyökalu ennen niiden käyttämistä. Huonosti kunnossapidetyt sähkötyökalut aiheuttavat onnettomuuksia.
- f. **Pidä leikkausterät terävinä ja puhtaina.** Kunnossa pidettyjen leikkaavia teräviä reunoja sisältävien työkalut todennäköisyys jumiutua vähenee, ja niitä on helpompi hallita.
- g. **Käytä sähkötyökaluja, tarvikkeita, vaihtoteriä yms. näiden ohjeiden mukaisesti. Ota tällöin huomioon työolosuhteet ja suoritettava toimenpide.** Jos sähkötyökalua käytetään näiden ohjeiden vastaisesti, voi syntyä vaaratilanne.
- h. **Pidä kahvat ja tartuntapinnat kuivina, puhtaina ja öljyttömiä sekä rasvattomia.** Liukkaat kahvat ja pinnat heikentävät työkalun hallinnan ja ohjauksen turvallisuutta odottamattomissa tilanteissa.

### 5. Huolto

- a. **Korjauta sähkötyökalu koulutetulla ja ammattitaitoisella henkilöllä ja hyväksy korjauksiin vain alkuperäisiä varaosia.** Tämä varmistaa sähkötyökalun turvallisuuden.

### Vasaran turvavaroitukset

#### Turvaohjeet kaikkia toimintoja käytettäessä

- ◆ Käytä kuulonsuojaimia. Melulle altistuminen voi aiheuttaa kuulon menetyksen.
- ◆ Käytä apukahvoja työkalun kanssa. Hallinnan menetys voi aiheuttaa henkilövahingon.
- ◆ Pitele sähkötyökalua sen eristävästä tartuntakohdistista, kun leikkausosa voi osua piilossa olevaan sähköjohtoon tai sahan omaan virtajohtoon työskentelyn aikana.



Terien osuminen jännitteiseen johtoon tekee sen paljaista metalliosista jännitteisiä, joten käyttäjä voi saada sähköiskun.

### Iskuvararoiden lisäturvaohteet

- ◆ **Käytä puristimia tai muuta käytännöllistä tapaa kiinnittää ja tukea työstökappale tukevalle alustalle.** Työn pitäminen käsin tai varaltoa vasten on epävakaata ja saattaa johtaa kontrollin menetykseen.
- ◆ **Käytä suojalaseja tai muita silmäsuojia.** Iskuporaustoimenpiteissä lentää lastuja. Sinkoavat kappaleet voivat aiheuttaa pysyvän silmävaurion. Käytä pölysuojainta tai hengityssuojainta töissä, joissa syntyy pölyä. Kuulosuojaimet voivat olla tarpeen useimpiin töihin.
- ◆ **Pidä aina työkalua tiukasti. Pidä työkalua aina kiinni molemmilla käsillä. Sivukahvaa on suositeltavaa käyttää aina.** Työkalun käyttö yhdellä kädellä aiheuttaa hallinnan menetyksen. Kovieen materiaalien piikkaus tai esimerkiksi raudtoistustankoihin osuminen voi myös olla vaarallista. Kiristä sivukahva ennen käyttöä.
- ◆ **Älä käytä tätä työkalua pitkiä aikoja yhtäjaksoisesti.** Työkalun iskutoiminnan aiheuttama värinä voi olla haitallista käsillesi ja käsivarsillesi. Käytä käsiäsi tarjoamaan lisäpehmustetta ja rajoita altistumista värinän pitämällä taukoja.
- ◆ **Terä ei saa kunnostaa itse.** Taltan saa kunnostaa vain valtuutettu asiantuntija. Virheellisesti kunnostetut piikkausterät voivat aiheuttaa henkilövahinkoja.
- ◆ **Käytä suojakäsineitä työkalun käyttämisen ja terien vaihtamisen aikana.** Työkalun metalliosat ja terät voivat kuumeta huomattavasti käytön aikana. Pienet irronneet materiaaliosat voivat vahingoittaa paljaita käsiä.
- ◆ **Laske työkalu alas vasta kun sen terä on pysähtynyt kokonaan.** Liikkuvat terät voivat aiheuttaa henkilövahinkoja.
- ◆ **Kiinni juuttuneita teriä ei saa iskeä vasaralla niiden irrottamiseksi.** Metallisuruja tai materiaalipaloja voi irrota ja ne voivat aiheuttaa henkilövahinkoja.
- ◆ **Hiukan kuluneet piikkausterät voidaan teroittaa hiomalla.**
- ◆ **Pidä virtajohto kaukana pyörivästä terästä. Älä kääri johtoa laitteen rungon ympärille.** Pyörivän terän ympärille kääritty virtajohto voi aiheuttaa henkilövahinkoja ja hallinnan menettämisen.

### Muiden henkilöiden turvallisuus

- ◆ Tätä työkalua ei ole tarkoitettu sellaisten henkilöiden (mukaan lukien lapset) käytettäväksi, joiden fyysiset, sensoriset tai henkiset kyvyt tai kokemus ja tietämys ovat rajalliset, ellei heidän turvallisuudestaan vastuussa oleva henkilö valvo tai ohjaa heitä laitteen käytössä.
- ◆ Lapsia tulee valvoa ja varmistaa, että he eivät leiki laitteella.

### Jäännösriskit

Muita jäännösriskkejä voi olla olemassa käyttäessä sähkötyökalua, jota toimitetut turvallisuusvaroitukset eivät koske. Nämä riskit voivat liittyä muun muassa virheelliseen tai pitkäaikaiseen käyttöön. Joitakin jäännösriskkejä on olemassa, vaikka vastaavia turvallisuusmääryksiä noudatettaisiin ja turvavarusteita käytettäisiin. Näitä ovat:

- ◆ Pyörivien tai liikkuvien osien koskettamisen aiheuttamat vahingot.
- ◆ Osia, teriä tai lisävarusteita vaihdettaessa aiheutuneet vahingot.
- ◆ Työkalun pitkäaikaisen käytön aiheuttamat vahingot. Varmista, että pidät säännöllisesti taukoja työkalun pitkäaikaisen käytön aikana.
- ◆ Kuulon heikkeneminen.
- ◆ Muodostuvan pölyn hengittämisestä aiheutuvat vaarat työkalun käytön aikana (esim. puun työstäminen, erityisesti tammen, pyökin ja rakennekuitulevyn työstö).

### Tärinä ja melu

Teknisissä tiedoissa ja vaatimustenmukaisuusvakuutuksessa ilmoitettu värinä- ja melupäästöarvo on mitattu EN62841-standardin testausmenetelmän mukaisesti, ja arvoa voi käyttää työkalujen keskinäiseen vertailuun.

Ilmoitettuja värinä- ja melupäästöarvoja voi käyttää myös altistumisen alustavaan arviointiin.

**VAROITUS!** Sähkötyökalun käytön aikana mitattu todellinen värinä- ja melupäästöarvot voi poiketa ilmoitetusta värinäpäästöarvosta työkalun käyttötavan mukaan. Tärinätaso voi olla ilmoitettua tasoa suurempi.

Kun värinälle altistumista arvioidaan sen määrittämiseksi, mitä direktiivin 2002/44/EY mukaisia turvatoimenpiteitä vaaditaan sähkötyökaluja säännöllisesti käyttävien henkilöiden suojelemiseksi, värinälle altistumisen arvioinnissa on otettava huomioon todelliset käyttöolosuhteet ja työkalun käyttötavat. Todellisen käytön lisäksi on kiinnitettävä huomiota myös siihen, milloin työkalu on sammutettuna tai se käy tyhjäkäynnillä.

### Työkalun tarrat

Työkaluun on merkitty päivämääräkoodi sekä seuraavat varoitusmerkinnät:



**VAROITUS!** Loukkaantumisen riskin vähentämiseksi käyttäjän on luettava tämä käyttöohje.



Käytä suojalaseja.



Käytä kuulonsuojaimia.



## Sähköturvallisuus



Tämä laite on kaksoiseristetty, joten erillistä maadoitusta ei tarvita. Tarkista aina, että verkkovirran jännite vastaa tyyppikilpeen merkittyä jännitettä.

- ◆ Jos virtajohto vahingoittuu, sen vaihtaminen on turvallisuussyistä jätettävä valmistajan tai valtuutetun Stanley Fat Max -huoltoliikkeen tehtäväksi.

## Jatkojohdon käyttäminen

Käytä aina oikeanlaista jatkojohtoa, joka sopii tämän laitteen virransyöttöliitäntään (katso kohta Tekniset tiedot). Jatkojohdon on oltava ulkokäyttöön soveltuva ja siinä on oltava vastaava merkintä. Laitteen kanssa voidaan käyttää enintään 30 m pitkää 1,5 mm<sup>2</sup>:n H05VV-F-jatkojohtoa ilman tehon heikkenemistä. Tarkista jatkojohdon kunto ennen sen käyttämistä. Vahingoittunut tai viallinen kaapeli on vaihdettava. Jos käytät johtokelaa, kelaa johto aina kokonaan auki.

## Ominaisuudet

Tämä kone sisältää kaikki seuraavat ominaisuudet tai joitakin niistä.

1. Sivukahva
2. Kytkin
3. Varren suojus
4. SDS MAX -istukka
5. Voiteluaineen syöttöaukko

## Käyttö

**VAROITUS!** Ennen kuin yrität suorittaa mitään seuraavista toimenpiteistä, varmista, että työkalun virta on katkaistu, sähköpistoke on irrotettu sähköverkosta.

## Kytkeminen päälle ja pois päältä (kuva A)

- ◆ Käynnistä työkalu painamalla kytkintä (2) ja kääntämällä se "ON" -asentoon.
- ◆ Sammuta työkalu kytkemällä kytkin 'OFF'-asentoon ja vapauttamalla kytkin (2).

## Sivukahvan kiinnittäminen (kuva B)

Sivukahva (1) voidaan asentaa sekä oikea- että vasenkätisille käyttäjille.

**VAROITUS!** Älä käytä työkalua, jos sivukahvaa ei ole asennettu oikein paikoilleen.

- ◆ Löysää sivukahva.
- ◆ Oikeakätiset käyttäjät: Liu'uta sivukahvan lukitsin työkalupidikkeen takana olevan renkaan päälle, kahva vasemmalla. Vasenkätiset käyttäjät: Liu'uta sivukahvan lukitsin työkalupidikkeen takana olevan renkaan päälle, kahva oikealla.
- ◆ Kierrä sivukahva haluttuun asentoon ja kiristä kahva.

## SDS Max -lisävarusteiden asentaminen ja irrottaminen (kuvat C, D)

Tämä työkalu käyttää SDS Max -lisävarusteita (ks. kuvasta D SDS Max -terän karan poikkileikkaus).

Suosittellemme

vain ammattikäyttöön tarkoitettujen lisävarusteiden käyttöä.

- ◆ Puhdista ja voitele terän kara.
- ◆ Aseta terän kara teränpidikkeeseen/työkalulaippaan (4).
- ◆ Paina terä alas ja käännä sitä hiukan, kunnes se kohdistuu uriin.
- ◆ Tarkista, että terä on asianmukaisesti lukittu vetämällä terää. The Iskutoiminto edellyttää, että terä voi liikkua aksiaalisesti useita senttimetrejä lukittuna työkalupidikkeeseen.
- ◆ Irrota terä vetämällä hieman työkalupidikettä/lukituslohkkoa (4) taaksepäin kuvan C mukaisesti ja vetämällä terä irti.

**VAROITUS!** Käytä aina suojakäsineitä lisävarusteiden vaihtamisen aikana. Työkalun suojaamattomat metalliosat ja lisävaruste voivat kuumeta huomattavasti käytön aikana.

## Taltaus ja piikkaus (kuva E)

- ◆ Asenna asianmukainen talta (ei kuulu pakkaukseen) oikeaan asentoon.
- ◆ Säädä sivukahvaa (1) tarpeen mukaan.
- ◆ Kytke virta päälle ja aloita käyttö.
- ◆ Sammuta työkalu aina, kun työ on valmis ja ennen kuin otat pistokkeen pois pistorasiasta.
- ◆ Noudata aina turvaohjeita ja voimassa olevia määräyksiä.
- ◆ Huomioi putkistojen ja johtojen sijainnit.
- ◆ Paina työkalua vain kevyesti (noin 5 kg). Liiallinen voima ei nopeuta piikkausta, vaan heikentää työkalun suorituskykyä ja voi lyhentää työkalun käyttöikää.
- ◆ Pidä työkalusta aina kiinni molemmin käsin ja varmista tukeva jalansija. Käytä työkalua aina sivukahva asianmukaisesti asennettuna.

## Käsien oikeaoppinen asento (kuva F)

**VAROITUS!** Voit vähentää vakavan henkilövahingon vaaraa pitämällä kädet AINA oikeassa asennossa.

**VAROITUS!** Voit vähentää vakavan henkilövahingon vaaraa pitelemällä työkalua AINA tiukassa otteessa.

Käsien oikea asento tarkoittaa toisen käden pitämistä sivukahvassa

(1), ja toisen käden pitämistä pääkahvassa.

**VAROITUS!** Älä käytä tätä työkalua palavien tai räjähdysherkkien nesteiden (benssiini, alkoholi, jne.) sekoittamiseen tai pumppaamiseen.

Älä sekoita syttyviä nesteitä, joissa on vastaava merkintä.

## Lisävarusteet

Työkalan suorituskyky riippuu käytetystä lisävarusteesta. Stanley Fat Max -lisävarusteet on valmistettu korkealaatuisiksi ja suunniteltu parantamaan työkalun suorituskykyä. Käyttämällä näitä lisävarusteita saat sahostasi parhaan hyödyn.

## Huolto

Langallinen/langaton Stanley Fat Max -työkalu/koneesi on suunniteltu käytettäväksi pitkään ja edellyttämään vain vähän kunnossapitoa. Oikea käsittely ja säännöllinen puhdistus varmistavat laitteen ongelmattoman toiminnan.

**VAROITUS!** Ennen langallisen/langattoman sähkötyökalan huoltamista:

- ◆ Sammuta laite/työkalu ja irrota se verkkovirrasta.
- ◆ Jos laitteessa/työkaluksa on erillinen akku, sammuta laite/työkalu ja irrota sen akku.
- ◆ Jos akku on kiinteä, käytä akku täysin loppuun ja sammuta laite sitten.
- ◆ Irrota laturi pistorasiasta ennen laturin puhdistamista. Laturi ei tarvitse säännöllisen puhdistamisen lisäksi mitään muuta huoltoa.
- ◆ Puhdista laitteen/työkalan/laturin ilma-aukot säännöllisesti pehmeällä harjalla tai kuivalla kangasliinalla.
- ◆ Puhdista moottorin kotelo säännöllisesti kostealla liinalla. Älä käytä hankaavia tai liuotinpohjaisia puhdistusaineita.
- ◆ Avaa istukka säännöllisesti ja naputtele pöly pois sen sisästä (soveltuvin osin).

## Pistokkeen vaihtaminen (koskee vain Isoa-Britanniaa ja Irlantia)

Jos uusi verkkopistoke täytyy asentaa:

- ◆ Hävitä vanha pistoke ympäristöystävällisesti.
- ◆ Liitä ruskea johto uuden pistokkeen jännitteeseen napaan.
- ◆ Liitä sininen johto tähtipisteliitimeen.

**VAROITUS!** Maadoitusliitimeen ei tule tehdä liitoksia.

Noudata korkealaatuisten pistokkeiden mukana toimitettuja asennusohjeita. Suositeltu varoke: 10 A.

## Ympäristönsuojelu



Toimita tämä laite erilliskeräykseen. Tällä symbolilla merkityjä tuotteita ja akkuja ei saa hävittää tavallisen kotitalousjätteen mukana.

Tuotteissa ja akuissa on materiaaleja, jotka voidaan kerätä tai kierrättää uudelleen käyttöä varten.

Kierrätä sähkölaitteet ja akut paikallisten määräyksien mukaan. Lisätietoja on saatavilla osoitteessa [www.2helpU.com](http://www.2helpU.com)

## Tekniset tiedot

SFMEH220 (Tyyppi 01)		
Jännite	V	230
Taajuus	Hz	50
Ottoteho	V	1010
Iskutaajuus	BPM	2900
Iskuenergia (EPTA / Maks.)	J	8,5
Istukkatyyppi		SDS Max
Paino	kg	6,3

Äänenpainetaso mitattuna EN62841:n mukaisesti:		
Äänenpaine ( $L_{pa}$ )	dB(A)	95
Äänenpaineen epävarmuus ( $K_{pa}$ )	dB(A)	3
Ääniteho ( $L_{wa}$ )	dB(A)	103
Äänitehon epävarmuus ( $K_{wa}$ )	dB(A)	1,8
Tärinäpäästöarvo ah (piikkaus):		
( $a_{h,CHeq}$ )	m/s <sup>2</sup>	14,3
Epävarmuus (K)	m/s <sup>2</sup>	1,5

## EY-vaatimustenmukaisuusvakuutus

KONEDIREKTIIVI



SFMEH220 Piikkausvasara

Stanley Fat Max ilmoittaa, että tuotteet, jotka on kuvattu kohdassa Tekniset tiedot, täyttävät seuraavien direktiivien vaatimukset: 2006/42/EY.

EN62841-1:2015+A11:2022, EN IEC62841-2-6:2020 +A11:2020. Nämä tuotteet täyttävät myös direktiivien 2014/30/EU ja 2011/65/EU vaatimukset.

2000/14/EY, sähköinen betoninmurskain (käsiikäyttöinen),  $m \leq 15$  kg, liite VI, DEKRA Testing and Certification GmbH, Handwerkstraße 15, 70565 Stuttgart.

Location Certification Body, Dinnendahlstr. 9, 44809 Bochum, Saksa Ilmoitetun laitoksen numero: 0158 LWA (mitattu ääniteho) 103 dB(A), epävarmuus (K) = 1,8 dB(A), LWA (taattu ääniteho) 105 dB(A). Lisätietoja saa ottamalla yhteyttä Stanley Fat Max -yhtiöön seuraavaan osoitteeseen. Tiedot ovat myös käyttöoppaan takakannessa. Allekirjoittanut vastaa teknisten tietojen kokoamisesta ja antaa tämän ilmoituksen Stanley Fat Maxin puolesta.

*Patrick Diepenbach*

Patrick Diepenbach Pääjohtaja, Benelux Stanley Fat Max,  
Egide Walschaertsstraat 14-18 2800 Mechelen, Belgia  
12.30.2022

## Takuu

Stanley Fat Max on vakuuttunut tuotteidensa korkeasta laadusta ja tarjoaa kuluttajille 12 kuukauden takuun, joka astuu voimaan

ostopäivänä. Takuu on lisäys kuluttajan laillisiin oikeuksiin eikä vaikuta niihin. Tämä takuu on voimassa kaikissa EU- ja ETA-maissa sekä Isossa-Britanniassa.

Edellytyksenä takuun saamiselle on, että vaade täyttää Stanley Fat Maxin ehdot ja että ostaja toimittaa ostotositteen jälleenmyyjälle tai valtuutetulle huoltoliikkeelle. Stanley Fat Maxin yhden vuoden takuun ehdot ja lähimmän valtuutetun korjauspalvelun yhteyshenkilöt ovat saatavilla osoitteessa [www.2helpU.com](http://www.2helpU.com) tai ottamalla yhteyttä paikalliseen Stanley Fat Maxin toimipisteeseen tässä ohjekirjassa ilmoitettuihin osoitteisiin.

Rekisteröi tuote osoitteessa [www.stanley.eu/3](http://www.stanley.eu/3). Sivustolla [www.stanley.eu/3](http://www.stanley.eu/3) voit rekisteröidä uuden Stanley Fat Max -tuotteesi. Sivuilta saat myös päivityksiä uusista tuotteista ja erikoistarjouksista.

## Tietoa ympäristönsuojelusta

Sitoutuminen ympäristön ja kestäväen kehityksen erinomaisuuteen tuotteen koko elinkaaren ajan on Stanley Black & Deckerin liiketoiminnan ydin. Hävitettävät tuotepakkaukset tulee käsitellä oikein (tarkistamalla materiaalikoodi), joten ota selvää jätehuolto-ohjeista paikalliselta viranomaiselta. Sähkötuotteidemme materiaalit ja komponentit (esim. akut) sisältävät tärkeitä raaka-aineita, ja ne tulee käsitellä oikein myös käyttöiän päätyttyä. Voit viedä ne viralliseen jätteenkeräykseen tai keräyksen järjestävälle jälleenmyyjälle. Käyttö- ja turvallisuusohjeet tulee hävittää vasta sitten, kun niihin liittyvä tuote on poistettu käytöstä. Saat lisätietoja skannaamalla QR-koodin.

**StanleyBlack&Decker**



**Προβλεπόμενη χρήση** Το κατεδαφιστικό πιστολέτο STANLEY FATMAX® SFMEH220 έχει σχεδιαστεί για ελαφρού ή μεσαίου τύπου εργασίες ματσακόνισματος, καλεμίσματος και γκρεμίσματος σε σκυρόδεμα, τούβλα και είδη τοιχοποιίας. Αυτό το εργαλείο προορίζεται για επαγγελματική και ιδιωτική, μη επαγγελματική χρήση.

## Οδηγίες ασφαλείας

### Γενικές προειδοποιήσεις ασφαλείας για ηλεκτρικά εργαλεία



**ΠΡΟΕΙΔΟΠΟΙΗΣΗ!** Διαβάστε όλες τις προειδοποιήσεις ασφαλείας, τις οδηγίες, τις απεικονίσεις και τις προδιαγραφές που συνοδεύουν αυτό το ηλεκτρικό εργαλείο. Η μη τήρηση των προειδοποιήσεων και των οδηγιών που αναφέρονται παρακάτω μπορεί να έχει ως αποτέλεσμα ηλεκτροπληξία, πυρκαγιά και/ή σοβαρή σωματική βλάβη.

**Φυλάξτε όλες τις προειδοποιήσεις και τις οδηγίες για μελλοντική αναφορά.** Ο όρος "ηλεκτρικό εργαλείο" που χρησιμοποιείται σε όλες τις παρακάτω προειδοποιήσεις, αναφέρεται είτε σε εργαλείο που λειτουργεί με ρεύμα δικτύου (ρεύματος - με καλώδιο) είτε σε εργαλείο που λειτουργεί με μπαταρία (μπαταρίας - χωρίς καλώδιο).

### 1. Ασφάλεια χώρου εργασίας

- Διατηρείτε τον χώρο εργασίας καθαρό και καλά φωτισμένο.** Οι ατακτοποιήτοι ή σκοτεινοί χώροι γίνονται αιτίες ατυχημάτων.
- Μη χρησιμοποιείτε ηλεκτρικά εργαλεία σε περιβάλλον όπου υπάρχει κίνδυνος έκρηξης, όπως με παρουσία εύφλεκτων υγρών, αερίων ή σκόνης.** Τα ηλεκτρικά εργαλεία παράγουν σπινθήρες που μπορεί να προκαλέσουν ανάφλεξη της σκόνης ή των αναθυμιάσεων.
- Όταν χρησιμοποιείτε ηλεκτρικό εργαλείο, κρατάτε μακριά παιδιά και παρευρισκόμενους.** Παράγοντες που αποσπούν την προσοχή μπορεί να σας κάνουν να χάσετε τον έλεγχο.

### 2. Ασφαλής χρήση ηλεκτρικού ρεύματος

- Τα φως των ηλεκτρικών εργαλείων πρέπει να ταιριάζουν στην πρίζα. Σε καμία περίπτωση μην τροποποιήσετε το φως, με κανένα τρόπο. Μη χρησιμοποιείτε φως προσαρμογής με γειωμένα ηλεκτρικά εργαλεία.** Τα φως που δεν έχουν υποστεί τροποποιήσεις και οι κατάλληλες πρίζες μειώνουν τον κίνδυνο ηλεκτροπληξίας.
- Αποφεύγετε την επαφή του σώματός σας με γειωμένες επιφάνειες, όπως σωλήνες, σώματα καλοριφέρ, κουζίνες και ψυγεία.**

- Υπάρχει αυξημένος κίνδυνος ηλεκτροπληξίας αν το σώμα σας είναι γειωμένο.
- γ. Μην εκθέσετε ηλεκτρικά εργαλεία σε βροχή ή υγρασία.** Η διείσδυση νερού σε ένα ηλεκτρικό εργαλείο αυξάνει τον κίνδυνο ηλεκτροπληξίας.
- δ. Μην κακομεταχειρίζεστε το καλώδιο.** Ποτέ μη χρησιμοποιήσετε το καλώδιο για να μεταφέρετε, να τραβήξετε ή να αποσυνδέσετε από την πρίζα το ηλεκτρικό εργαλείο. Κρατάτε το καλώδιο μακριά από θερμότητα, λάδια, αιχμηρά άκρα ή κινούμενα μέρη. Τα καλώδια που έχουν υποστεί ζημιά ή είναι μπερδεμένα αυξάνουν τον κίνδυνο ηλεκτροπληξίας.
- ε. Όταν εργάζεστε με ηλεκτρικό εργαλείο σε εξωτερικούς χώρους, χρησιμοποιείτε πάντοτε καλώδιο προέκτασης κατάλληλο για εργασία σε εξωτερικούς χώρους.** Η χρήση καλωδίου κατάλληλου για εργασία σε εξωτερικούς χώρους μειώνει τον κίνδυνο ηλεκτροπληξίας.
- στ. Εάν είναι αναπόφευκτη η χρήση ενός ηλεκτρικού εργαλείου σε συνθήκες υγρασίας, χρησιμοποιήστε μια διάταξη προστασίας από ρεύμα διαρροής (RCD).** Η χρήση μιας διάταξης RCD μειώνει τον κίνδυνο ηλεκτροπληξίας.
- 3. Ατομική ασφάλεια**
- α. Όταν χρησιμοποιείτε ηλεκτρικό εργαλείο, να είστε σε εγρήγορση, να συγκεντρώνετε στην εργασία που κάνετε και να επιστρατεύετε την κοινή λογική. Μη χρησιμοποιείτε ηλεκτρικό εργαλείο όταν είστε κουρασμένος-η ή υπό την επήρεια ναρκωτικών, οινοπνεύματος ή φαρμακευτικής αγωγής.** Μια στιγμή απροσεξίας κατά τη χρήση ηλεκτρικών εργαλείων μπορεί να προκαλέσει σοβαρό τραυματισμό.
- β. Χρησιμοποιείτε ατομικό εξοπλισμό προστασίας. Πάντα φοράτε προστασία ματιών.** Ο εξοπλισμός προστασίας, όπως μάσκα κατά της σκόνης, αντιολισθητικά παπούτσια ασφαλείας, κράνος ή προστασία ακοής, όταν χρησιμοποιείται για τις κατάλληλες συνθήκες, θα μειώσει τους τραυματισμούς και τις σωματικές βλάβες.
- γ. Αποτρέψτε την ακούσια ενεργοποίηση. Βεβαιωθείτε ότι ο διακόπτης βρίσκεται στη θέση απενεργοποίησης πριν συνδέσετε το εργαλείο σε πηγή ρεύματος και/ή τοποθετήσετε πακέτο μπαταριών, καθώς και πριν πάρετε στα χέρια σας ή μεταφέρετε το εργαλείο.** Η μεταφορά ηλεκτρικών εργαλείων με το δάχτυλο πάνω στον διακόπτη ή η σύνδεση στο ρεύμα ηλεκτρικών εργαλείων με τον διακόπτη στη θέση ενεργοποίησης, ενέχει κινδύνους ατυχημάτων.
- δ. Πριν θέσετε σε λειτουργία το ηλεκτρικό εργαλείο, αφαιρέστε τυχόν εργαλεία ή κλειδιά ρύθμισης.** Εάν αφήσετε ένα εργαλείο ή κλειδί πάνω σε κάποιο περιστρεφόμενο εξάρτημα του ηλεκτρικού εργαλείου, μπορεί να προκληθούν τραυματισμοί.
- ε. Μην τεντώνεστε υπερβολικά. Διατηρείτε πάντα σταθερή στήριξη στα πόδια σας και καλή ισορροπία.** Έτσι μπορείτε να έχετε καλύτερο έλεγχο του ηλεκτρικού εργαλείου σε μη αναμενόμενες καταστάσεις.
- στ. Φοράτε κατάλληλη ενδυμασία εργασίας. Μη φοράτε φαρδιά ρούχα ή κοσμήματα. Κρατάτε τα μαλλιά, τα ρούχα και τα γάντια σας σε απόσταση από κινούμενα μέρη.** Τα φαρδιά ρούχα, τα κοσμήματα και τα μακριά μαλλιά μπορούν να πιαστούν σε κινούμενα μέρη.
- ζ. Αν παρέχονται διατάξεις για τη σύνδεση συστημάτων απομάκρυνσης και συλλογής της σκόνης, βεβαιωθείτε ότι αυτές είναι συνδεδεμένες και χρησιμοποιούνται σωστά.** Η χρήση διατάξεων συλλογής της σκόνης μπορεί να μειώσει τους κινδύνους που προέρχονται από τη σκόνη.
- η. Μην αφήνετε την εξοικείωση που έχετε αποκτήσει από τη συχνή χρήση εργαλείων να σας επιτρέψει να εφησυχάσετε ώστε να αγνοείτε τις αρχές ασφαλούς χρήσης των εργαλείων.** Μια απρόσεκτη ενέργεια μπορεί να προκαλέσει βαρύ τραυματισμό μέσα σε κλάσμα του δευτερολέπτου.
- 4. Χρήση και φροντίδα ηλεκτρικών εργαλείων**
- α. Μην υπερφορτώνετε το ηλεκτρικό εργαλείο. Χρησιμοποιείτε το σωστό ηλεκτρικό εργαλείο για την εφαρμογή σας.** Το σωστό ηλεκτρικό εργαλείο θα εκτελέσει την εργασία καλύτερα και ασφαλέστερα, με την ένταση χρήσης για την οποία σχεδιάστηκε.
- β. Μη χρησιμοποιήσετε το ηλεκτρικό εργαλείο αν ο διακόπτης του δεν μπορεί να το ενεργοποιεί και απενεργοποιεί.** Οποιοδήποτε εργαλείο δεν μπορεί να ελεγχθεί μέσω του διακόπτη του, είναι επικίνδυνο και πρέπει να επισκευαστεί.
- γ. Αποσυνδέστε το φως από την πηγή ρεύματος και/ή αφαιρέστε από το ηλεκτρικό εργαλείο το πακέτο μπαταριών, αν είναι αποσπώμενο, πριν διεξάγετε οποιαδήποτε ρύθμιση, αλλαγή αξεσουάρ ή όταν πρόκειται να αποθηκεύσετε οποιοδήποτε ηλεκτρικό εργαλείο.** Τέτοια προληπτικά μέτρα ασφαλείας μειώνουν τον κίνδυνο αθέλητης εκκίνησης του ηλεκτρικού εργαλείου.
- δ. Φυλάσσετε μακριά από παιδιά τα ηλεκτρικά εργαλεία που δεν χρησιμοποιείτε. Μην αφήνετε να χρησιμοποιήσουν ηλεκτρικό εργαλείο άτομα που δεν είναι εξοικειωμένα με αυτό ή άτομα που δεν έχουν διαβάσει αυτές τις οδηγίες χρήσης.** Τα ηλεκτρικά εργαλεία είναι επικίνδυνα στα χέρια μη εκπαιδευμένων χρηστών.
- ε. Συντηρείτε τα ηλεκτρικά εργαλεία και τα αξεσουάρ.**

Ελέγχετε για προβλήματα ευθυγράμμισης ή για μάγκωμα των κινούμενων εξαρτημάτων, θραύση εξαρτημάτων, καθώς και για οποιοδήποτε άλλο πρόβλημα μπορεί να επηρεάσει τη λειτουργία του ηλεκτρικού εργαλείου. Αν το ηλεκτρικό εργαλείο έχει υποστεί ζημιά, παραδώστε το για επισκευή πριν το χρησιμοποιήσετε. Η ανεπαρκής συντήρηση των ηλεκτρικών εργαλείων αποτελεί αιτία πολλών ατυχημάτων.

**στ. Διατηρείτε τα κοπτικά εργαλεία κοφτερά και καθαρά.**

Τα κοπτικά εργαλεία με κοφτερές κοπτικές αιχμές που συντηρούνται σωστά έχουν λιγότερες πιθανότητες να μαγκώσουν και ελέγχονται ευκολότερα.

**ζ. Χρησιμοποιείτε το ηλεκτρικό εργαλείο, τα αξεσουάρ και τα εξαρτήματα εργασίας των εργαλείων κλπ. σύμφωνα με τις παρούσες οδηγίες, λαμβάνοντας υπόψη σας τις συνθήκες εργασίας και την εργασία που θέλετε να εκτελέσετε.**

Η χρήση του ηλεκτρικού εργαλείου για εργασίες διαφορετικές από τις προβλεπόμενες θα μπορούσε να οδηγήσει σε επικίνδυνη κατάσταση.

**η. Διατηρείτε τις λαβές και τις επιφάνειες κρατήματος στεγνές, καθαρές και απαλλαγμένες από λάδι και γράσο.**

Οι ολισθηρές λαβές και επιφάνειες κρατήματος δεν επιτρέπουν τον ασφαλή χειρισμό και έλεγχο του εργαλείου σε μη αναμενόμενες καταστάσεις.

**5. Σέρβις**

**α. Αναθέτετε το σέρβις του ηλεκτρικού σας εργαλείου σε εξειδικευμένο τεχνικό επισκευών που χρησιμοποιεί μόνο γνήσια ανταλλακτικά.**

Έτσι θα εξασφαλίσετε τη διατήρηση της ασφάλειας του ηλεκτρικού εργαλείου.

**Προειδοποιήσεις ασφαλείας για κρουστικά εργαλεία**

**Οδηγίες ασφαλείας για όλες τις εργασίες**

- ◆ **Φοράτε προστατευτικά ακοής.** Η έκθεση σε θόρυβο μπορεί να προκαλέσει απώλεια ακοής.
- ◆ **Χρησιμοποιείτε τις βοηθητικές λαβές, αν παρέχονται μαζί με το εργαλείο.** Η απώλεια ελέγχου μπορεί να προκαλέσει τραυματισμό.
- ◆ **Κρατάτε το ηλεκτρικό εργαλείο από μονωμένες επιφάνειες συγκράτησης, όταν εκτελείτε κάποια εργασία κατά την οποία το αξεσουάρ κοπής μπορεί να έρθει σε επαφή με αθέατα καλώδια ή με το καλώδιο του ίδιου του εργαλείου.** Ένα αξεσουάρ κοπής το οποίο έρχεται σε επαφή με ηλεκτροφόρο καλώδιο μπορεί να καταστήσει ηλεκτροφόρο και τα εκτεθειμένα μεταλλικά μέρη του ηλεκτρικού εργαλείου και να προκαλέσει ηλεκτροπληξία στο χειριστή του.

**Πρόσθετες οδηγίες ασφαλείας για κρουστικά πιστολέτα**

- ◆ **Χρησιμοποιείτε σφιγκτήρες ή άλλο πρακτικό μέσο για να στερεώνετε και να στηρίζετε το αντικείμενο εργασίας σε σταθερό υπόβαθρο.** Αν κρατάτε το αντικείμενο εργασίας με το χέρι σας ή κόντρα στο σώμα σας, αυτό δεν είναι σταθερό και μπορεί να προκληθεί απώλεια ελέγχου.
- ◆ **Φοράτε γενικά ασφαλείας ή άλλη προστασία των ματιών.** Οι εργασίες κρούσης προκαλούν την εκτίναξη θραυσμάτων. Τα εκτινασσόμενα σωματίδια μπορούν να προκαλέσουν μόνιμη βλάβη στα μάτια. Φοράτε μάσκα κατά της σκόνης ή αναπνευστική συσκευή για εργασίες στις οποίες παράγεται σκόνη. Για τις περισσότερες εφαρμογές μπορεί να απαιτούνται προστατευτικά αυτιών.
- ◆ **Διατηρείτε πάντα σταθερό κράτημα στο εργαλείο κατά τη χρήση του.** Μην επιχειρήσετε να χρησιμοποιήσετε το εργαλείο χωρίς να το κρατάτε και με τα δύο χέρια. Συνιστάται να χρησιμοποιείτε πάντα την πλευρική λαβή. Η χρήση του εργαλείου με το ένα χέρι θα προκαλέσει απώλεια του ελέγχου. Επίσης, μπορεί να είναι επικίνδυνο να διαπεράσετε σπάζοντα ή να συναντήσετε σκληρά υλικά όπως ο σίδηρος οπλισμού σκυροδέματος. Σφίγγετε καλά την πλευρική λαβή πριν τη χρήση.
- ◆ **Μη χρησιμοποιείτε το εργαλείο αυτό για παρατεταμένα χρονικά διαστήματα.** Οι κραδασμοί που προκαλούνται από την κρουστική δράση μπορεί να είναι επιβλαβείς για το άνω και κάτω τμήμα των χεριών σας. Χρησιμοποιείτε γάντια για πρόσθετη προστατευτική δράση και περιορίζετε την έκθεση κάνοντας συχνά διαλείμματα ξεκούρασης.
- ◆ **Μην αναμορφώνετε εξαρτήματα εργασίας μόνοι σας.** Η αναμόρφωση του καλέμιου θα πρέπει να γίνεται από εξειδικευμένο άτομο. Τα ακατάλληλα αναμορφωμένα καλέμια θα μπορούσαν να προκαλέσουν τραυματισμό.
- ◆ **Φοράτε γάντια κατά τη χρήση του εργαλείου ή την αλλαγή εξαρτημάτων εργασίας.** Τα προσπελάσιμα μεταλλικά μέρη του εργαλείου και τα εξαρτήματα εργασίας μπορεί να θερμανθούν πολύ κατά τη χρήση. Μικρά κομμάτια πιασμένου υλικού μπορεί να τραυματίσουν γυμνά χέρια.
- ◆ **Ποτέ μην αφήνετε κάτω το εργαλείο αν πρώτα δεν έχει σταματήσει τελείως να κινείται το εξάρτημα εργασίας.** Τα κινούμενα εξαρτήματα εργασίας μπορεί να προκαλέσουν τραυματισμό.
- ◆ **Μην χτυπάτε τα κολλημένα εξαρτήματα εργασίας με σφυρί για να τα ξεκολλήσετε.** Μπορεί να αποκολληθούν θραύσματα μετάλλου ή τμήματα του υλικού και να προκαλέσουν τραυματισμό.
- ◆ **Τα ελαφρά φθαρμένα καλέμια μπορούν να ακονιστούν με τρόχισμα.**

- ♦ **Κρατάτε το καλώδιο ρεύματος μακριά από το περιστρεφόμενο εξάρτημα εργασίας. Μην τυλίγετε το καλώδιο γύρω από οποιοδήποτε μέρος του σώματός σας.** Αν το ηλεκτρικό καλώδιο τυλιχτεί γύρω από ένα περιστρεφόμενο εξάρτημα εργασίας μπορεί να προκληθεί τραυματισμός και απώλεια ελέγχου.

### Ασφάλεια τρίτων

- ♦ Αυτό το εργαλείο δεν προορίζεται για χρήση (περιλαμβανομένων παιδιών) με μειωμένες σωματικές, αισθητηριακές ή διανοητικές ικανότητες, ή με έλλειψη εμπειρίας και γνώσης, εκτός αν σε αυτά έχει παρασχεθεί εκπόλιση υπεύθυνο για την ασφάλεια τους επίβλεψη ή εκπαίδευση σχετικά με τη χρήση της συσκευής.
- ♦ Τα παιδιά πρέπει να επιτηρούνται, ώστε να διασφαλίζεται ότι δεν παίζουν με τη συσκευή.

### Υπολειπόμενοι κίνδυνοι

Κατά τη χρήση του εργαλείου μπορεί να δημιουργηθούν πρόσθετοι υπολειπόμενοι κίνδυνοι, οι οποίοι ενδέχεται να μη συμπεριλαμβάνονται στις προειδοποιήσεις ασφαλείας που εσωκλείονται. Αυτοί οι κίνδυνοι μπορεί να προκληθούν από κακή χρήση, παρατεταμένη χρήση κλπ.

Ακόμα και με την εφαρμογή των σχετικών κανονισμών ασφαλείας και τη χρήση διατάξεων ασφαλείας, ορισμένοι υπολειπόμενοι κίνδυνοι δεν μπορούν να αποφευχθούν. Σε αυτούς περιλαμβάνονται:

- ♦ Τραυματισμοί από επαφή με οποιαδήποτε περιστρεφόμενα/κινούμενα μέρη.
- ♦ Τραυματισμοί κατά την αλλαγή οποιωνδήποτε εξαρτημάτων, λεπίδων ή αξεσουάρ.
- ♦ Σωματικές βλάβες από παρατεταμένη χρήση εργαλείου. Όταν χρησιμοποιείτε οποιοδήποτε εργαλείο για παρατεταμένα χρονικά διαστήματα, μην παραλείπετε με κανένα τρόπο να κάνετε τακτικά διαλείμματα.
- ♦ Βλάβη της ακοής.
- ♦ Κίνδυνοι υγείας προκαλούμενοι από την εισπνοή σκόνης όταν χρησιμοποιείτε το εργαλείο σας (παραδείγματα: -εργασία με ξύλο, και ειδικά με δρυ, οξιά και MDF.)

### Κραδασμοί και θόρυβος

Οι δηλωμένες τιμές εκπομπών κραδασμών και θορύβου που αναφέρεται στα τεχνικά χαρακτηριστικά και τη δήλωση συμμόρφωσης έχει μετρηθεί σύμφωνα με τυποποιημένη μέθοδο δοκιμής που προβλέπεται από το πρότυπο EN62841 και μπορεί να χρησιμοποιηθεί για τη σύγκριση ενός εργαλείου με ένα άλλο.

Η δηλωμένη τιμή εκπομπών κραδασμών και θορύβου μπορεί επίσης να χρησιμοποιηθεί σε έναν προκαταρκτικό προσδιορισμό της έκθεσης.

**ΠΡΟΕΙΔΟΠΟΙΗΣΗ!** Στην πράξη, η τιμή εκπομπής κραδασμών και θορύβου κατά τη χρήση του ηλεκτρικού εργαλείου μπορεί να διαφέρει από την τιμή που δηλώθηκε, ανάλογα με τον τρόπο που χρησιμοποιείται το εργαλείο. Το επίπεδο κραδασμών και θορύβου μπορεί να αυξηθεί πάνω από το επίπεδο που έχει δηλωθεί.

Κατά τον προσδιορισμό της έκθεσης σε κραδασμούς για τον καθορισμό των απαιτούμενων μέτρων ασφαλείας σύμφωνα με την οδηγία 2002/44/EK για την προστασία προσώπων που χρησιμοποιούν συχνά ηλεκτρικά εργαλεία στην εργασία τους, μια προσεγγιστική εκτίμηση της έκθεσης σε κραδασμούς πρέπει να λαμβάνει υπόψη τις πραγματικές συνθήκες χρήσης και τον τρόπο χρήσης του εργαλείου, συμπεριλαμβανομένων και όλων των επιμέρους τμημάτων του κύκλου εργασίας, όπως τα χρονικά διαστήματα που το εργαλείο ήταν εκτός λειτουργίας και τα διαστήματα λειτουργίας χωρίς φορτίο, επιπλέον του χρόνου πίεσης της σκανδάλης.

### Ετικέτες πάνω στο εργαλείο

Το εργαλείο φέρει τα παρακάτω εικονογράμματα μαζί με τον κωδικό ημερομηνίας:



**ΠΡΟΕΙΔΟΠΟΙΗΣΗ!** Για να μειωθεί ο κίνδυνος τραυματισμού, ο χρήστης πρέπει να διαβάσει το εγχειρίδιο οδηγιών.



Φορέστε προστατευτικά γυαλιά ασφαλείας.



Φοράτε προστασία ακοής.

### Ασφαλής χρήση ηλεκτρικού ρεύματος



Αυτό το εργαλείο φέρει διπλή μόνωση και επομένως δεν απαιτείται καλώδιο γείωσης. Ελέγχετε πάντα ότι η παροχή ρεύματος αντιστοιχεί στην τάση που αναφέρεται στην πινακίδα τεχνικών χαρακτηριστικών.

- ♦ Αν το καλώδιο ρεύματος έχει υποστεί ζημιά, πρέπει να αντικατασταθεί από τον κατασκευαστή ή εξουσιοδοτημένο κέντρο σέρβις Stanley Fat Max, για την αποφυγή κινδύνου.

### Χρήση καλωδίου προέκτασης

Χρησιμοποιείτε πάντα εγκεκριμένο καλώδιο προέκτασης, κατάλληλα για την ισχύ εισόδου αυτής της συσκευής (δείτε τεχνικά χαρακτηριστικά).

Το καλώδιο προέκτασης πρέπει να είναι κατάλληλο για χρήση σε εξωτερικούς χώρους και να φέρει την αντιστοιχία σήμανση. Μπορείτε να χρησιμοποιήσετε ένα καλώδιο προέκτασης 1,5 mm<sup>2</sup> H05VV-F μήκους έως 30 m, χωρίς



απώλειες απόδοσης.

Πριν από τη χρήση, ελέγξτε προσεκτικά το καλώδιο προέκτασης για σημάδια ζημιάς, φθοράς και γήρανσης. Αντικαταστήστε το καλώδιο προέκτασης αν παρουσιάσει ζημιά ή ελάττωμα. Όταν χρησιμοποιείτε καλώδιο σε καρούλι, πάντα ξετυλίγετε τελειώς το καλώδιο.

## Χαρακτηριστικά

Στο εργαλείο αυτό διατίθενται ορισμένα ή όλα τα παρακάτω χαρακτηριστικά.

1. Πλευρική λαβή
2. Διακόπτης
3. Κάλυμμα κυλίνδρου
4. Τσok SDS MAX
5. Είσοδος έγχυσης λαδιού λίπανσης

## Χρήση

**ΠΡΟΕΙΔΟΠΟΙΗΣΗ!** Πριν επιχειρήσετε κάποια από αυτές τις εργασίες, βεβαιωθείτε ότι εργαλείο είναι απενεργοποιημένο και αποσυνδεδεμένο από την πρίζα.

## Ενεργοποίηση και απενεργοποίηση (Εικ. Α)

- ◆ Για λειτουργήσει το εργαλείο, πιάστε τον διακόπτη (2) και περιστρέψτε τον στη θέση "ON".
- ◆ Για να σταματήσετε το εργαλείο, περιστρέψτε τον διακόπτη στη θέση "OFF" και ελευθερώστε τον (2).

## Τοποθέτηση της πλευρικής λαβής (Εικ. Β)

Η πλευρική λαβή (1) μπορεί να τοποθετηθεί ώστε να ταιριάζει σε δεξιόχειρες και αριστερόχειρες χρήστες.

**ΠΡΟΕΙΔΟΠΟΙΗΣΗ!** Μη χρησιμοποιήσετε το εργαλείο χωρίς να έχετε εγκαταστήσει σωστά την πλευρική λαβή.

- ◆ Ασκάρετε την πλευρική λαβή.
- ◆ Για δεξιόχειρες χρήστες: Περάστε τον σφιγκτήρα της πλευρικής λαβής πάνω στο κολάρο πίσω από την υποδοχή αξεσουάρ, λαβή στα αριστερά. Για αριστερόχειρες χρήστες: Περάστε τον σφιγκτήρα της πλευρικής λαβής πάνω στο κολάρο πίσω από την υποδοχή αξεσουάρ, λαβή στα δεξιά.
- ◆ Περιστρέψτε την πλευρική λαβή στην επιθυμητή θέση και σφίξτε τη λαβή.

## Εισαγωγή και αφαίρεση αξεσουάρ SDS Max (Εικ. C,D)

Αυτό το εργαλείο χρησιμοποιεί αξεσουάρ SDS Max (ανατρέξτε στην εικόνα D για τη διατομή του στελέχους ενός αξεσουάρ SDS Max). Συνιστούμε να χρησιμοποιείτε μόνο επαγγελματικά αξεσουάρ.

- ◆ Καθαρίστε και γρασάρετε τον κορμό του εξαρτήματος εργασίας.
- ◆ Εισαγάγετε το στέλεχος του εξαρτήματος εργασίας στην υποδοχή εξαρτήματος εργασίας/στο χιτώνιο εργαλείου (4).
- ◆ Πιέστε το αξεσουάρ προς τα κάτω και περιστρέψτε

το ελαφρά έως ότου εφαρμόσει μέσα στις εγκοπές.

- ◆ Τραβήξτε το εξάρτημα εργασίας για να ελέγξετε αν έχει ασφαλίσει σωστά. Για την κρουστική λειτουργία απαιτείται να μπορεί το εξάρτημα εργασίας να κινείται αξονικά κατά αρκετά εκατοστά όταν είναι ασφαλισμένο στην υποδοχή αξεσουάρ.
- ◆ Για να αφαιρέσετε ένα εξάρτημα εργασίας, τραβήξτε προς τα πίσω την υποδοχή αξεσουάρ/το χιτώνιο ασφάλισης (4), όπως δείχνει η εικόνα C, και τραβήξτε έξω το εξάρτημα εργασίας.

**ΠΡΟΕΙΔΟΠΟΙΗΣΗ!** Πάντα φοράτε γάντια όταν αλλάζετε αξεσουάρ. Τα εκτεθειμένα μεταλλικά μέρη του εργαλείου και τα αξεσουάρ μπορεί να θερμανθούν πολύ κατά τη χρήση.

## Εργασίες ματσακονίσματος και καλεμίσματος (Εικ. Ε)

- ◆ Εισάγετε το κατάλληλο καλέμι (δεν παρέχεται) στη σωστή θέση.
- ◆ Προσαρμόστε την πλευρική λαβή (1) όπως απαιτείται.
- ◆ Ενεργοποιήστε το εργαλείο και ξεκινήστε την εργασία.
- ◆ Πάντα απενεργοποιείτε το εργαλείο όταν τελειώσει η εργασία και πριν το αποσυνδέσετε από την πρίζα.
- ◆ Τηρείτε πάντοτε τις οδηγίες ασφαλείας και τους ισχύοντες κανονισμούς.
- ◆ Φροντίστε να ενημερωθείτε σχετικά με τη θέση σωλήνων και καλωδίων.
- ◆ Εφαρμόζετε μόνο μικρή πίεση στο εργαλείο (περ. 5 kg). Η υπερβολική δύναμη δεν επιταχύνει το καλέμισμα αλλά μειώνει την απόδοση του εργαλείου και μπορεί να μειώσει το χρόνο ζωής του.
- ◆ Πάντα κρατάτε το εργαλείο σταθερά και με τα δύο χέρια και διασφαλίζετε ασφαλή στάση σώματος. Πάντα χρησιμοποιείτε το εργαλείο με την πλευρική λαβή σωστά εγκατεστημένη.

## Σωστή τοποθέτηση των χεριών (Εικ. F)

**ΠΡΟΕΙΔΟΠΟΙΗΣΗ!** Για να μειώσετε τον κίνδυνο σοβαρού τραυματισμού, ΠΑΝΤΑ χρησιμοποιείτε τη σωστή τοποθέτηση των χεριών όπως δείχνει η εικόνα.

**ΠΡΟΕΙΔΟΠΟΙΗΣΗ!** Για να μειώσετε τον κίνδυνο σοβαρού τραυματισμού, ΠΑΝΤΑ κρατάτε σταθερά το εργαλείο, σε αναμονή απότομης αντίδρασης.

Για τη σωστή τοποθέτηση των χεριών απαιτείται ένα χέρι στην πλευρική λαβή (1), με το άλλο χέρι στην κύρια λαβή.

**ΠΡΟΕΙΔΟΠΟΙΗΣΗ!** Μη χρησιμοποιείτε αυτό το εργαλείο για να αναμίξετε ή να αντλήσετε εύφλεκτα ή εκρηκτικά υγρά (βενζίνη, οινόπνευμα κλπ.).

Μην αναμειγνύετε ή αναδεύετε εύφλεκτα υγρά που φέρουν ανάλογη σήμανση.

## Αξεσουάρ

Η απόδοση του εργαλείου σας εξαρτάται από το αξεσουάρ



που χρησιμοποιείτε.

Τα αξεσουάρ της Stanley Fat Max έχουν κατασκευαστεί μηχανικά με πρότυπα υψηλής ποιότητας και είναι σχεδιασμένα για να ενισχύουν την απόδοση του εργαλείου σας. Χρησιμοποιώντας αυτά τα αξεσουάρ θα λάβετε τη μέγιστη απόδοση από το εργαλείο σας.

## Συντήρηση

Αυτή η συσκευή/το εργαλείο Stanley Fat Max που λειτουργεί με καλώδιο/χωρίς καλώδιο έχει σχεδιαστεί έτσι ώστε να λειτουργεί για μεγάλη χρονική περίοδο με την ελάχιστη συντήρηση. Η συνεχής ικανοποιητική λειτουργία του εργαλείου εξαρτάται από τη σωστή φροντίδα και τον τακτικό καθαρισμό του.

**ΠΡΟΕΙΔΟΠΟΙΗΣΗ!** Πριν πραγματοποιήσετε οποιαδήποτε συντήρηση σε ηλεκτρικά εργαλεία με καλώδιο/χωρίς καλώδιο:

- ◆ Απενεργοποιήστε και αποσυνδέστε τη συσκευή/το εργαλείο από την πρίζα.
- ◆ Ή απενεργοποιήστε και αφαιρέστε την μπαταρία από τη συσκευή/εργαλείο, εάν η συσκευή/το εργαλείο διαθέτει ξεχωριστό πακέτο μπαταριών.
- ◆ Ή χρησιμοποιήστε την μπαταρία μέχρι να αδειάσει εντελώς και στη συνέχεια απενεργοποιήστε.
- ◆ Αποσυνδέστε το φορτιστή από την πρίζα πριν τον καθαρίσετε. Ο φορτιστής σας δεν χρειάζεται καμία άλλη συντήρηση πέραν του τακτικού καθαρισμού.
- ◆ Καθαρίζετε τακτικά τις εγκοπές εξαερισμού της συσκευής/του εργαλείου/του φορτιστή χρησιμοποιώντας μια μαλακή βούρτσα ή ένα στεγνό πανί.
- ◆ Καθαρίζετε τακτικά το περίβλημα μοτέρ με ένα ελαφρά υγρό πανί. Μη χρησιμοποιείτε καθαριστικά που χαράζουν ή περιέχουν διαλύτες.
- ◆ Ανοίγετε τακτικά το τσοκ και να το χτυπάτε ελαφρά για να αφαιρείται η σκόνη από το εσωτερικό του (εφόσον έχει τοποθετηθεί).

## Αντικατάσταση του φις ρευματοληψίας (Ην. Βασίλειο & Ιρλανδία μόνο)

Αν χρειάζεται να τοποθετηθεί νέο φις ρευματοληψίας:

- ◆ Απορρίψτε με ασφαλή τρόπο το παλιό φις.
- ◆ Συνδέστε τον καφέ αγωγό στον ηλεκτροφόρο ακροδέκτη (φάση) του νέου φις.
- ◆ Συνδέστε τον μπλε αγωγό στον ουδέτερο ακροδέκτη.

**ΠΡΟΕΙΔΟΠΟΙΗΣΗ!** Δεν πρέπει να γίνει σύνδεση στον ακροδέκτη γείωσης. Ακολουθήστε τις οδηγίες συναρμολόγησης που συνοδεύουν τα καλής ποιότητας φις. Συνιστώμενη ασφάλεια: 10 Α.

## Προστασία του περιβάλλοντος



Χωριστή συλλογή. Τα προϊόντα και οι μπαταρίες που επισημαίνονται με αυτό το σύμβολο δεν πρέπει να απορρίπτονται μαζί με τα κανονικά οικιακά απορρίμματα.

Τα προϊόντα και οι μπαταρίες περιέχουν υλικά που μπορούν να ανακτηθούν ή να ανακυκλωθούν, ώστε να μειωθούν οι ανάγκες για πρώτες ύλες.

Παρακαλούμε να ανακυκλώνετε τα ηλεκτρικά προϊόντα και τις μπαταρίες σύμφωνα με τους τοπικούς κανονισμούς. Περισσότερες πληροφορίες διατίθενται στον ιστότοπο [www.2helpU.com](http://www.2helpU.com)

## Τεχνικά χαρακτηριστικά

		SFMEH220 (Τύπος 01)
Τάση	V	230
Συχνότητα	Hz	50
Κατανάλωση ισχύος	W	1010
Ρυθμός κρούσης	bpm	2900
Κρουστική ενέργεια (EPTA / Μέγ.)	J	8,5
Τύπος τσοκ		SDS Max
Βάρος	kg	6,3

Στάθμη ηχητικής πίεσης σύμφωνα με το πρότυπο EN62841:		
Ηχητική πίεση ( $L_{pA}$ )	dB(A)	95
Αβεβαιότητα ηχητικής πίεσης ( $K_{pA}$ )	dB(A)	3
Ηχητική ισχύς ( $L_{WA}$ )	dB(A)	103
Αβεβαιότητα ηχητικής ισχύος ( $K_{WA}$ )	dB(A)	1,8
Τιμή εκπομπών κραδασμών ah (εργασία καλειμού):		
( $a_{h,CH05}$ )	$m/s^2$	14,3
Αβεβαιότητα (K)	$m/s^2$	1,5

## Δήλωση συμμόρφωσης ΕΚ

ΟΔΗΓΙΑ ΣΧΕΤΙΚΑ ΜΕ ΤΑ ΜΗΧΑΝΗΜΑΤΑ



SFMEH220 Κατεδαφιστικό πιστολέτο

H Stanley Fat Max δηλώνει ότι τα προϊόντα αυτά που περιγράφονται στα "τεχνικά χαρακτηριστικά" συμμορφώνονται με τα ακόλουθα: 2006/42/EK.

EN62841-1-2015+A11:2022, EN IEC62841-2-6:2020

+A11:2020. Αυτά τα προϊόντα συμμορφώνονται και με την

Οδηγία 2014/30/EE και 2011/65/EE.

2000/14/EK, Ηλεκτρική συσκευή θραύσης σκυροδέματος (φορητή),  $m \leq 15$  kg, Παράρτημα VI, DEKRA Testing and Certification GmbH, Handwerkstraße 15, 70565 Stuttgart (Γερμανία).

Τοποθεσία κοινοποιημένου φορέα, Dinnendahlstr. 9, 44809 Bochum, Germany (Γερμανία) Αρ. κοινοποιημένου φορέα: 0158 LWA (μετρηθείσα στάθμη ηχητικής ισχύος) 103 dB(A), αβεβαιότητα (K) = 1,8 dB (A) LWA (εγγυημένη ηχητική ισχύος) 105 dB(A).

Για περισσότερες πληροφορίες, επικοινωνήστε με τη Stanley Fat Max στην παρακάτω διεύθυνση ή ανατρέξτε στο πίσω μέρος του εγχειριδίου.

Ο κάτωθι υπογεγραμμένος είναι υπεύθυνος για την κατάρτιση του τεχνικού φακέλου και δηλώνει τα παρόντα εκ μέρους της Stanley Fat Max.

*Patrick Diepenbach*

Patrick Diepenbach Γενικός Διευθυντής, Μπενελούξ Stanley Fat Max, Egide Walschaertsstraat 14-18 2800 Mechelen, Belgium (Βέλγιο)  
12.30.2022

Μπορείτε να τα παραδώσετε σε ένα επίσημο κέντρο συλλογής αποβλήτων ή σε ένα σημείο πώλησης που συμμετέχει στο πρόγραμμα συλλογής. Οι οδηγίες χρήσης και ασφάλειας επιτρέπεται να απορριφθούν μόνον όταν δεν χρησιμοποιείται πλέον το προϊόν το οποίο αφορούν. Σκανάρετε τον κωδικό QR για περισσότερες πληροφορίες.

**StanleyBlack&Decker**



## Εγγύηση

Η Stanley Fat Max είναι σίγουρη για την ποιότητα των προϊόντων της και προσφέρει στους καταναλωτές εγγύηση 12 μηνών από την ημερομηνία

αγοράς. Αυτή η εγγύηση συμπληρώνει και με κανένα τρόπο δεν παραβιάζει τα νόμιμα δικαιώματά σας. Η εγγύηση ισχύει εντός της επικράτειας των χωρών μελών της Ευρωπαϊκής Ένωσης, της Ευρωπαϊκής Ζώνης Ελεύθερων Συναλλαγών και του Ηνωμένου Βασιλείου.

Για να υποβάλετε αξίωση βάσει της εγγύησης, η αξίωση θα πρέπει να είναι σύμφωνη με τους Όρους και προϋποθέσεις της Stanley Fat Max και θα χρειαστεί να υποβάλετε απόδειξη αγοράς στον πωλητή ή σε εξουσιοδοτημένο αντιπρόσωπο επισκευών. Μπορείτε να αποκτήσετε τους Όρους και προϋποθέσεις της εγγύησης 1 έτους της Stanley Fat Max και να μάθετε την τοποθεσία του πλησιέστερου εξουσιοδοτημένου αντιπροσώπου επισκευών στο Internet στο [www.2helpU.com](http://www.2helpU.com), ή επικοινωνώντας με το τοπικό σας γραφείο Stanley Fat Max στη διεύθυνση που υποδεικνύεται στο παρόν εγχειρίδιο.

Επισκεφθείτε τον ιστότοπό μας [www.stanleytools.eu/3](http://www.stanleytools.eu/3) για να καταχωρίσετε. Επισκεφθείτε τον ιστότοπό μας [www.stanleytools.eu/3](http://www.stanleytools.eu/3) για να καταχωρίσετε το νέο σας προϊόν Stanley Fat Max και για να ενημερώνεστε για τα νέα προϊόντα και τις ειδικές προσφορές.

## Πληροφορίες για την Προστασία του περιβάλλοντος

Στη Stanley Black & Decker, η δέσμευσή μας για αριστεία στους τομείς περιβάλλοντος και αειφορίας για όλον τον κύκλο ζωής των προϊόντων μας παραμένει κεντρική στον τρόπο που λειτουργούμε. Η συσκευασία του προϊόντος που προμηθευτήκατε θα πρέπει να τύχει σωστής διαχείρισης (με βάση τον κωδικό υλικού) όταν αποφασίσετε να την απορρίψετε. Ζητήστε την καθοδήγηση της τοπικής σας κοινοτικής / δημοτικής αρχής στο θέμα της διαχείρισης αποβλήτων. Τα υλικά από τα ηλεκτρικά προϊόντα μας και από άλλα εξαρτήματα όπως μπαταρίες, περιέχουν σημαντικές πρώτες ύλες και θα πρέπει και αυτά να τύχουν σωστής διαχείρισης στο τέλος της ωφέλιμης ζωής τους.



<b>België/Belgique</b>	Stanley Fat Max E. Walschaertstraat 14-16 2800 Mechelen Belgium	De. Tel. +32 70 220 065 Fr. Tel. +32 70 220 066 Fax +32 15 473 799 www.stanleytools.eu Enduser.be@SBDinc.com
<b>Danmark</b>	Stanley Fat Max Farveland 1B 2600 Glostrup	Tel. 70 20 15 10 Fax 70 22 49 10 www.stanleyworks.dk
<b>Deutschland</b>	Stanley Fat Max Richard Klinger Str. 11, D - 65510 Idstein	Tel. 06126 21-1 Fax 06126 21-2770
<b>Ελλάδα</b>	Stanley Fat Max. Στράβωνος 7 & Λεωφ. Βουλιαγμένης 159 Γλυφάδα 166 74 - Αθήνα	Τηλ. +30 210 8981-616 Φαξ +30 210 8983-285 www.stanleyworks.gr
<b>España</b>	Stanley Fat Max. Parc de Negocis "Mas Blau" Edificio Muntadas, c/Bergadá, 1, Of. A6 08820 El Prat de Llobregat (Barcelona)	Tel. 934 797 400 Fax 934 797 419 respuesta.postventa@sbdinc.com www.stanleyworks.es
<b>France</b>	Stanley Fat Max 62 chemin de la Bruyère 69570 Dardilly, France	Tel. 04 72 20 39 20 Fax 04 72 20 39 00 www.stanleyoutillage.fr
<b>Helvetia</b>	Stanley Fat Max In der Luberzen 40 8902 Urdorf	Tel. 01 730 67 47 Fax 01 730 70 67 www.stanleyworks.de
<b>Italia</b>	Stanley Fat Max Energypark-Building 03 sud, Via Monza 7/A 20871 Vimercate (MB)	Tel. 039-9590200 Fax 039-9590313 www.stanley.it
<b>Nederland</b>	Stanley Fat Max Joulehof 12, 4600 RG Bergen op Zoom	Tel. +31 164 283 065 Fax +31 164 283 200 Enduser.NL@SBDinc.com
<b>Norge</b>	Stanley Fat Max Postboks 4613, Nydalen 0405 Oslo	Tlf. 45 25 13 00 Fax 45 25 08 00
<b>Österreich</b>	Stanley Fat Max Oberlaaerstraße 248, A-1230 Wien	Tel. 01 66116-0 Fax 01 66116-614 www.stanleyworks.de
<b>Portugal</b>	Stanley Fat Max Centro de Escritórios de Sintra Avenida Almirante Gago Coutinho, 132/134, Edifício 142710-418 Sintra 2710-418 Lisboa	Tel. 214667500 Fax 214667575 resposta.posvenda@sbdinc.com
<b>Suomi</b>	Stanley Fat Max Tekniikantie 12, 02150 Espoo	Puh. 010 400 430 Faksi 0800 411 340 www.stanleyworks.fi
<b>Sverige</b>	Stanley Fat Max Box 94, 431 22 Mölndal	Tel. 031-68 61 00 Fax 031-68 60 08
<b>Türkiye</b>	Stanley Fat Max KALE Hırdavat ve Makina A.Ş. Defterdar Mah. Savaklar Cad. No:15 Edimekapı / Eyüp / İSTANBUL 34050	Puh. 0212 533 52 55 Faks 0212 533 10 05 www.stanleyworks.fi
<b>United Kingdom</b>	Stanley Fat Max 270 Bath Road Slough, Berkshire SL1 4DX	Tel. +44 (0)1753 511234 Fax +44 (0)1753 551155 www.stanleytools.co.uk
<b>Middle East &amp; Africa</b>	Stanley Fat Max P.O.Box - 17164 Jebel Ali (South Zone), Dubai, UAE	Tel. +971 4 8127400 Fax +971 4 8127036 www.stanleyworks.ae