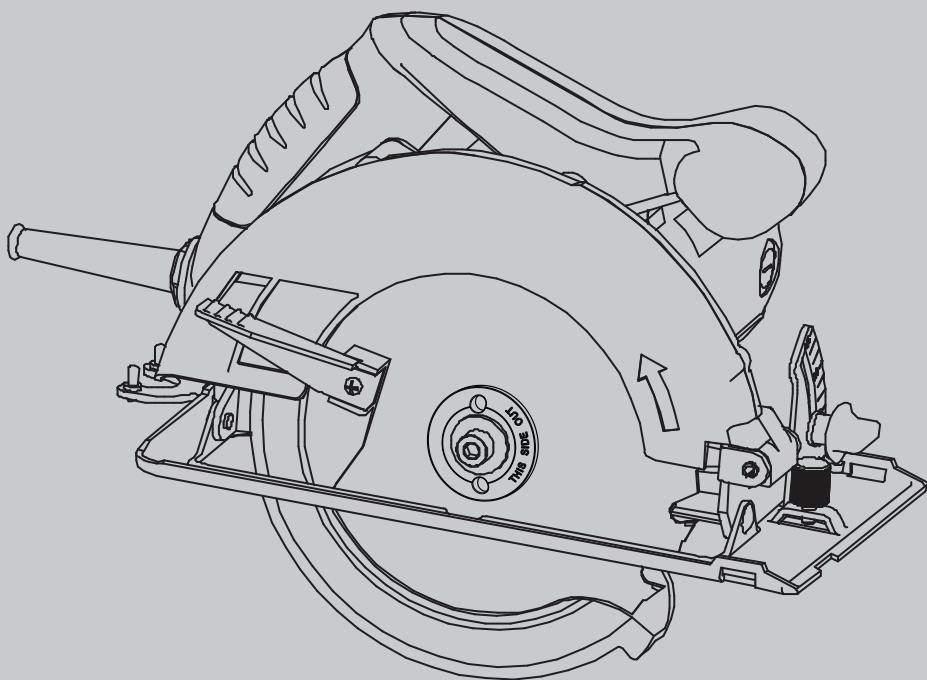


STANLEY



STEL311
STSC1518

English	3
简体中文	9
한국어	14
Bahasa Indonesia	20
ภาษาไทย	27
TIẾNG VIỆT	34

FIG.A

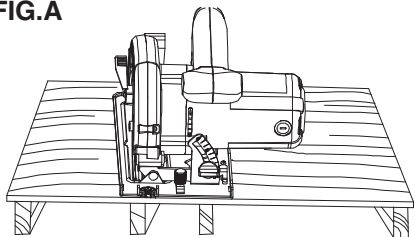


FIG.B

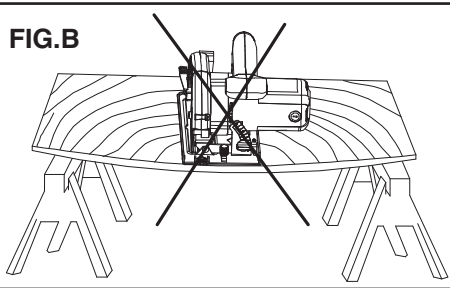


FIG.C

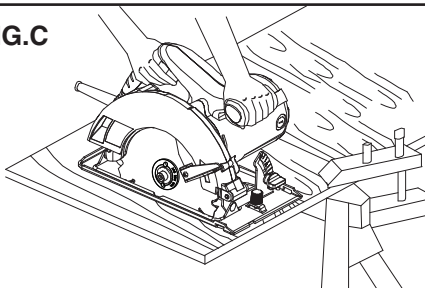


FIG.D

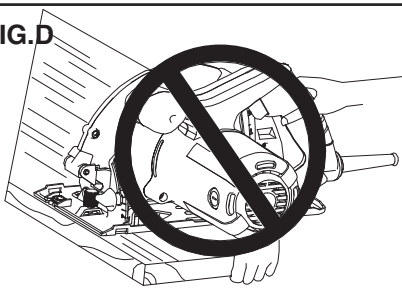


FIG.E

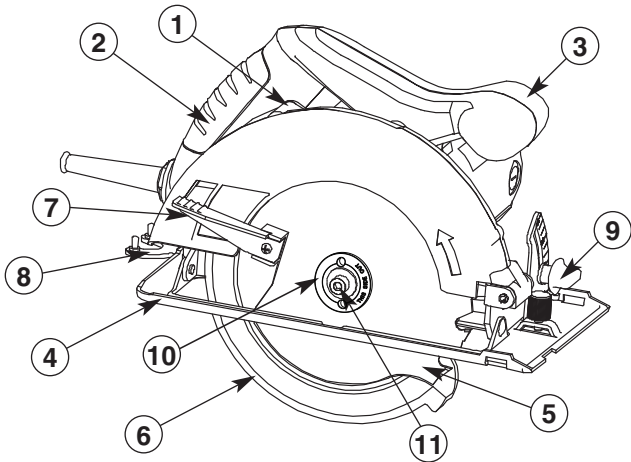


FIG.F

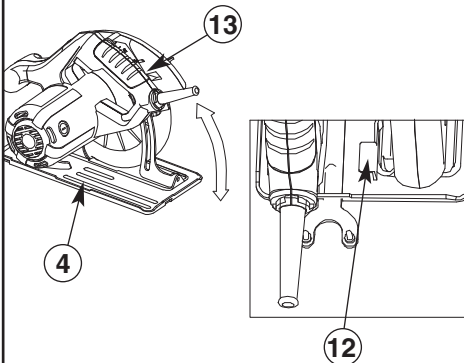
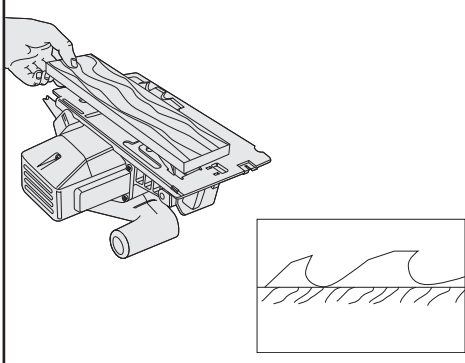
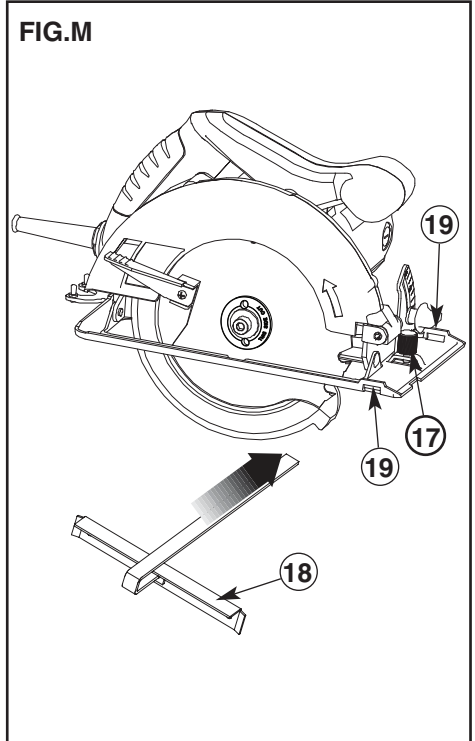
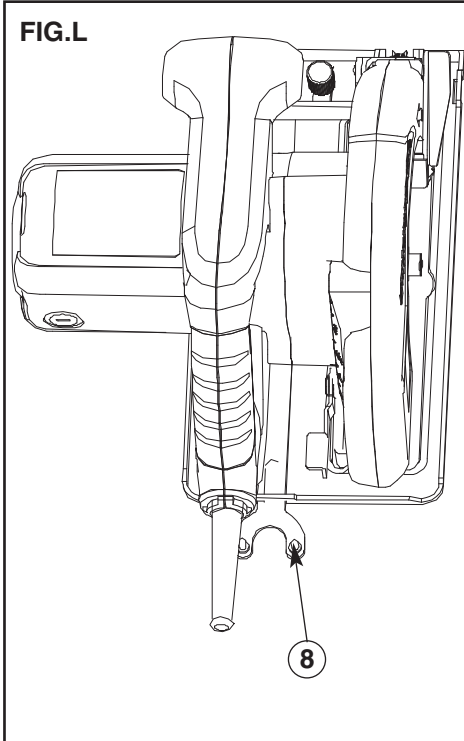
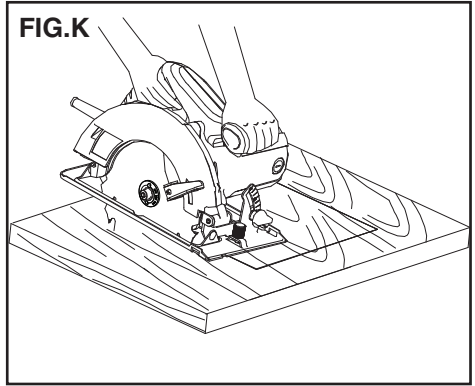
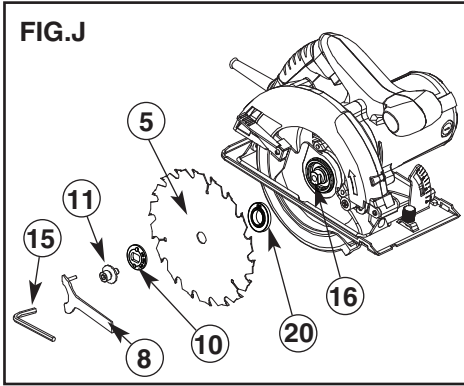
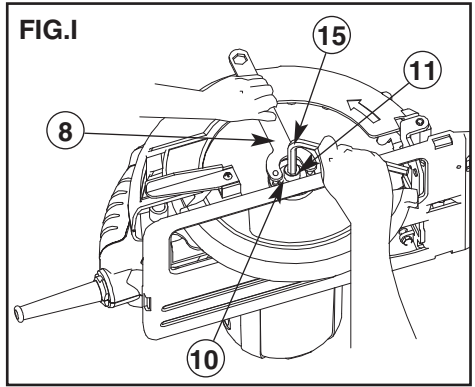
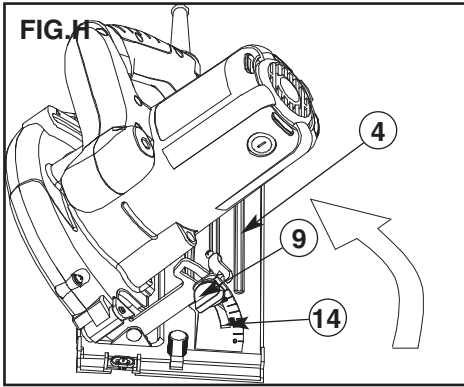


FIG.G





STEL311/STSC1518 1510W Circular Saw

TECHNICAL DATA

SPECIFICATION	STEL311/STSC1518	
VOLTAGE	V	220-240
POWER	W	1510
NO-LOAD SPEED	/min	5500
MAX. BLADE DIAMETER	mm	185
MAX. CUTTING DEPTH	mm	62

INTENDED USE

Your Stanley saw has been designed for sawing wood and wood products.

GENERAL SAFETY RULES

Warning! Read and understand all instructions.

Failure to follow all instructions listed below, may result in electric shock, fire and/or serious personal injury.

SAFE THESE INTRUCTIONS



SAFETY INSTRUCTIONS

General power tool safety warnings.

Warning! Read all safety warnings and all instructions. Failure to follow the warnings and instructions listed below may result in electric shock, fire and/or serious injury.

Save all warnings and instructions for future reference.

The term "power tool" in all of the warnings listed below refers to your mains operated (corded) power tool or battery operated (cordless) power tool.

1. Work area

- Keep work area clean and well lit.** Cluttered and dark areas invite accidents.
- Do not operate power tools in explosive atmospheres, such as in the presence of flammable liquids, gases or dust.** Power tools create sparks which may ignite the dust or fumes.
- Keep children and bystanders away while operating a power tool.** Distractions can cause you to lose control.

2. Electrical safety

- Power tool plugs must match the outlet. Never modify the plug in any way. Do not use any adapter plugs with earthed (grounded) power tools.** Unmodified plugs and matching outlets will reduce risk of electric shock.
- Avoid body contact with earthed or grounded surfaces such as pipes, radiators, ranges and refrigerators.** There is an increased risk of electric shock if your body is earthed or grounded.
- Do not expose power tools to rain or wet conditions.** Water entering a power tool will increase

the risk of electric shock.

- Do not abuse the cord. Never use the cord for carrying, pulling or unplugging the power tool. Keep cord away from heat, oil, sharp edges or moving parts.** Damaged or entangled cords increase the risk of electric shock.
 - When operating a power tool outdoors, use an extension cord suitable for outdoor use.** Use of a cord suitable for outdoor use reduces the risk of electric shock.
 - If operating a power tool in a damp location is unavoidable, use a residual current device (RCD) protected supply.** Use of an RCD reduces the risk of electric shock.
- Personal safety**
 - Stay alert, watch what you are doing and use common sense when operating a power tool. Do not use a power tool while you are tired or under the influence of drugs, alcohol or medication.** A moment of inattention while operating power tools may result in serious personal injury.
 - Use safety equipment. Always wear eye protection.** Safety equipment such as dust mask, non-skid safety shoes, hard hat, or hearing protection used for appropriate conditions will reduce personal injuries.
 - Prevent unintentional starting. Ensure the switch is in the off-position before connecting to power source and/or battery pack, picking up or carrying the tool.** Carrying power tools with your finger on the switch or energising power tools that have the switch on invites accidents.
 - Remove any adjusting key or wrench before turning the power tool on.** A wrench or a key left attached to a rotating part of the power tool may result in personal injury.
 - Do not overreach. Keep proper footing and balance at all times.** This enables better control of the power tool in unexpected situations.
 - Dress properly. Do not wear loose clothing or jewellery. Keep your hair, clothing and gloves away from moving parts.** Loose clothes, jewellery or long hair can be caught in moving parts.
 - If devices are provided for the connection of dust extraction and collection facilities, ensure these are connected and properly used.** Use of these devices can reduce dust related hazards.
 - Power tool use and care**
 - Do not force the power tool. Use the correct power tool for your application.** The correct power tool will do the job better and safer at the rate for which it was designed.
 - Do not use the power tool if the switch does not turn it on and off.** Any power tool that cannot be controlled with the switch is dangerous and must be repaired.

- c. **Disconnect the plug from the power source and/or the battery pack from the power tool before making any adjustments, changing accessories, or storing power tools.** Such preventive safety measures reduce the risk of starting the power tool accidentally
- d. **Store idle power tools out of the reach of children and do not allow persons unfamiliar with the power tool or these instructions to operate the power tool.** Power tools are dangerous in the hands of untrained users.
- e. **Maintain power tools. Check for misalignment or binding of moving parts, breakage of parts and any other condition that may affect the power tools operation.** If damaged, have the power tool repaired before use. Many accidents are caused by poorly maintained power tools.
- f. **Keep cutting tools sharp and clean.** Properly maintained cutting tools with sharp cutting edges are less likely to bind and are easier to control.
- g. **Use the power tool, accessories and tool bits etc. in accordance with these instructions, taking into account the working conditions and the work to be performed.** Use of the power tool for operations different from those intended could result in a hazardous situation.

5. Service

- a. **Have your power tool serviced by a qualified repair person using only identical replacement parts.** This will ensure that the safety of the power tool is maintained.

6. Electrical safety



This appliance is double insulated therefore no earth wire is required. Always check that the power supply corresponds to the voltage on the rating plate.



Warning! If the power cord is damaged, it must be replaced by the manufacturer, authorized Stanley Service Center or an equally qualified person in order to avoid damage or injury. If the power cord is replaced by an equally qualified person, but not authorized by Stanley, the warranty will not be valid.

7. Labels on tool

The label on your tool may include the following symbols:

- VVolts
- A.....Amperes
- HzHertz
- WWatts
- minminutes
- ~Alternating Current
- ==Direct Current
- n₀No-Load Speed

-Class II Construction
-Earthing Terminal
-Safe Alert Symbol
- .../minRevolutions or Reciprocation per
-Read instructions manual

- For tools intended to cut wood, instruction on correct use of the dust collection system.
- For tools intended to cut wood, instruction to wear a dust mask.
- Instruction to only use saw blades recommended.
- Instruction to always wear hearing protection.

**SAFETY INTRUCTIONS FOR ALL SAWS
CUTTING PROCEDURES**

- a. **⚠ DANGER: Keep hands away from cutting area and the blade. Keep your second hand on auxiliary handle, or motor housing.** If both hands are holding the saw, they cannot be cut by the blade.
- b. **Do not reach underneath the workpiece.** The guard cannot protect you from the blade below the workpiece.
- c. **Adjust the cutting depth to the thickness of the workpiece.** Less than a full tooth of the blade teeth should be visible below the workpiece.
- d. **Never hold piece being cut in your hands or across your leg.** Secure the workpiece to a stable platform. It is important to support the work properly to minimize body exposure, blade binding, or loss of control.
- e. **Hold power tool by insulated gripping surfaces when performing an operation where the cutting tool may contact hidden wiring or its own cord.** Contact with a "live" wire will also make exposed metal parts of the power tool "live" and shock the operator.
- f. **When ripping always use a rip fence or straight edge guide.** This improves the accuracy of cut and reduces the chance of blade binding.
- g. **Always use blades with correct size and shape (diamond versus round) of arbour holes.** Blades that do not match the mounting hardware of the saw will run eccentrically, causing loss of control.
- h. **Never use damaged or incorrect blade washers or bolt.** The blade washers and bolt were specially designed for your saw, for optimum performance and safety of operation.

FURTHER SAFETY INSTRUCTIONS FOR ALL SAWS

Causes and operator prevention of kickback:

- Kickback is a sudden reaction to a pinched, bound or misaligned saw blade, causing an uncontrolled saw to lift up and out of the workpiece toward the operator;
- When the blade is pinched or bound tightly by the kerf closing down, the blade stalls and the motor reaction drives the unit rapidly back toward the operator;

- If the blade becomes twisted or misaligned in the cut, the teeth at the back edge of the blade can dig into the top surface of the wood causing the blade to climb out of the kerf and jump back toward the operator.
 - Kickback is the result of saw misuse and/or incorrect operating procedures or conditions and can be avoided by taking proper precautions as given below.
- a. **Maintain a firm grip with both hands on the saw and position your arms to resist kickback forces.** Position your body to either side of the blade, but not in line with the blade. Kickback could cause the saw to jump backwards, but kickback forces can be controlled by the operator, if proper precautions are taken.

NOTE For circular saws with 185 mm or smaller diameter blades, the words "with both hands" may be omitted.

- b. **When blade is binding, or when interrupting a cut for any reason, release the trigger and hold the saw motionless in the material until the blade comes to a complete stop.** Never attempt to remove the saw from the work or pull the saw backward while the blade is in motion or kickback may occur. Investigate and take corrective actions to eliminate the cause of blade binding.
- c. **When restarting a saw in the workpiece, centre the saw blade in the kerf and check that saw teeth are not engaged into the material.** If saw blade is binding, it may walk up or kickback from the workpiece as the saw is restarted.
- d. **Support large panels to minimise the risk of blade pinching and KICKBACK.** Large panels tend to sag under their own weight. Supports must be placed under the panel on both sides, near the line of cut and near the edge of the panel.
- e. **Do not use dull or damaged blades.** Unsharpened or improperly set blades produce narrow kerf causing excessive friction, blade binding and kickback.
- f. **Blade depth and bevel adjusting locking levers must be tight and secure before making cut.** If blade adjustment shifts while cutting, it may cause binding and kickback.
- g. **Use extra caution when making a "plunge cut" into existing walls or other blind areas.** The protruding blade may cut objects that can cause kickback.

SAFETY INSTRUCTIONS FOR CIRCULAR SAW LOWER GUARD FUNCTION

- a. **Check lower guard for proper closing before each use. Do not operate the saw if lower guard does not move freely and close instantly. Never clamp or tie the lower guard into the open position.** If saw is accidentally dropped, lower guard may be bent. Raise the lower guard with the retracting handle and make sure it moves freely and does not touch the blade or any other part, in all angles and

depths of cut.


- b. **Check the operation of the lower guard spring. If the guard and the spring are not operating properly, they must be serviced before use.** Lower guard may operate sluggishly due to damaged parts, gummy deposits, or a build-up of debris.
- c. **Lower guard may be retracted manually only for special cuts such as "plunge cuts" and "compound cuts."** Raise lower guard by retracting handle and as soon as blade enters the material, the lower guard must be released. For all other sawing, the lower guard should operate automatically.
- d. **Always observe that the lower guard is covering the blade before placing saw down on bench or floor.** An unprotected, coasting blade will cause the saw to walk backwards, cutting whatever is in its path. Be aware of the time it takes for the blade to stop after switch is released.


SAFETY INSTRUCTIONS FOR CIRCULAR SAW

- a. **Check guard for proper closing before each use. Do not operate the saw if guard does not move freely and enclose the blade instantly.** Never clamp or tie the guard with the blade exposed. If saw is accidentally dropped, guard may be bent. Check to make sure that guard moves freely and does not touch the blade or any other part, in all angles and depths of cut.
- b. **Check the operation and condition of the guard return spring. If the guard and the spring are not operating properly, they must be serviced before use.** Guard may operate sluggishly due to damaged parts, gummy deposits, or a build-up of debris.
- c. **Assure that the guide plate of the saw will not shift while performing the "plunge cut" when the blade bevel setting is not at 90°.** Blade shifting sideways will cause binding and likely kick back.
- d. **Always observe that the guard is covering the blade before placing saw down on bench or floor.** An unprotected, coasting blade will cause the saw to walk backwards, cutting whatever is in its path. Be aware of the time it takes for the blade to stop after switch is released.

SAFETY GUIDELINES/DEFINITIONS

It is important for you to read and understand this manual. The information it contains relates to protecting **Your Safety and Preventing Problems.** The symbols below are used to help you recognize this information.

 **Danger!** Indicates an imminently hazardous situation which, if not avoided, will result in death or serious injury.

 **Warning!** Indicates a potentially hazardous situation which, if not avoided, could result in death or serious injury.

 **Caution!** Indicates a potentially hazardous

situation which, if not avoided, may result in minor or moderate injury.

⚠ Caution! Used without the safety alert symbol indicates potentially hazardous situation which, if not avoided, may result in property damage.

ADDITIONAL SAFETY RULES FOR CIRCULAR SAW

⚠ Warning! Use of this tool can generate and/or disburse dust, which may cause serious and permanent respiratory or other injury. Always use NIOSH/OSHA approved respiratory protection appropriate for the dust exposure. Direct particles away from face and body.

⚠ Caution! Wear appropriate hearing protection during use. Under some conditions and duration of use, noise from this product may contribute to hearing loss.

- **Snagging the lower guard on a surface below the material being cut can momentarily reduce operatol control.** The saw can lift partially out of the cut increasing the chance of blade twist. Ensure there is sufficient clearance under the workpiece.
- **When necessary to raise lower guard manually, use the retracting lever.**
- **Keep the Blades Clean and Sharp.** Sharp blades minimize stalling and kickback. The use of dull and/or dirty blades can increase the saw loading causing the operator to push harder which promotes twisting.

⚠ Caution! Laceration Hazard. Keep hands away from cutting areas. Keep hands away from blades. Never place hands in front of or behind the path of the blade while cutting. Do not reach underneath work while blade is rotating. Do not attempt to remove cut material when blade is moving.

- **Support large panels.** Large panels must be supported as shown (Fig. A) in this manual to minimize the risk of blade pinching and kickback. Material supported only at the ends (Fig. B) will lead to blade pinching. When cutting operation requires the resting of the saw on the workpiece, the saw shall be rested on the larger portion and the smaller piece cut off.
- **Use only correct blades and blade assembly components when mounting blades.** Do not use blades with incorrect size holes. Never use defective or incorrect blade washers or bolts. Follow blade assembly procedures.
- **Adjustments. Before cutting be sure depth and bevel adjustments are tight.**
- **Support and secure the work properly.** Insure that the material to be cut is clamped (Fig. C) and solidly supported and balanced on a strong, stable and level work surface. Support the work so that the wide portion of the saw shoe is on the portion of the material that doesn't fall after the cut is made. Never hold cut off piece by hand (Fig. D). KICKBACK from blade pinch can result. Keep both hands on saw at all

times.

- **Stay alert and exercise control. Keep body positioned to one side of blade.** Always maintain a firm grip and control of saw with both hands. Do not change hand grip or body position while saw is running. Take precaution to avoid injury from cut off pieces and other falling material during operation.

⚠ Danger! Release switch immediately if blade binds or saw stalls.

FEATURES (Fig. E)

1. On/Off Switch
 2. Main Handle
 3. Secondary Handle
 4. Shoe
 5. Saw Blade
 6. Saw Blade Guard
 7. Blade Guard Retracting Lever
 8. Saw Blade Spanner Wrench
 9. Bevel Adjustment Knob
 10. Outer Washer
 11. Blade Retaining Screw
- Saw Blade Hex Wrench (Shown on Fig. I (15))
Rip Fence (Shown on Fig. M (18))
Inner Flange (Shown on Fig. J (20))

ASSEMBLY/ADJUSTMENT SET-UP

⚠ Warning! Always unplug saw from power supply before any of the following operations.

Adjusting the Depth of Cut (Fig. F and G)

The depth of cut should be set according to the thickness of the workpiece.

- Loosen the lever (12) to unlock the saw shoe.
- Move the saw shoe (4) into the desired position. The corresponding depth of cut can be read from the scale (13).
- Tighten the lever to lock the saw shoe in place.
- Set depth adjustment of saw such that one tooth of the blade projects below the workpiece as shown in Fig. G.

Adjusting the Bevel Angle (Fig. H)

This tool can be set to bevel angles between 0° and 45°

- Loosen the locking knob (9) to unlock the saw shoe.
- Move the saw shoe (4) into the desired position. The corresponding bevel angle can be read from the scale (14).
- Tighten the locking knob to lock the saw shoe in place.

Attaching the Blade (Fig. I and J)

- To prevent spindle rotation engage the protrusions of the spanner wrench (8) into the holes in the outer washer (10) as shown in Fig. I.
- Loosen and remove the blade retaining screw (11) by turning the hex wrench (15) counter- clockwise.
- Remove the outer washer.

- Check and re-assembly inner flange (20) on spindle (16). Insure the correct side of inner flange (20) faces outward and match saw blade.
 - Place the saw blade (5) onto the inner flange (20), making sure that the arrow on the blade points in the same direction as the arrow on the tool.
 - Fit the outer washer (10) on the spindle.
 - Insert the blade retaining screw (11) into the hole in the spindle.
 - Prevent spindle rotation by engaging the spanne wrench into the holes of the outer washer.
 - Securely tighten the blade retaining screw by holding the spanner wrench and turning hex wrench clockwise to tighten the blade retaining screw.
- ⚠ Warning!** Inner flange (20) respectively marked with “19” and “20”, match the saw blade (5) with 19mm or 20mm diameter arbor.

Removing the Blade

- To prevent spindle rotation, engage the protrusions of the spanner wrench (8) into the holes in the outer washer (10).
 - Loosen and remove the blade retaining screw (11) by turning it counterclockwise using the hex wrench (15).
 - Remove the outer washer (10).
 - Remove the saw blade (5).
- ⚠ Warning!** To reduce the risk of serious personal injury, read, understand and follow all important safety warnings and instructions prior to using tool.

GENERAL CUTS

Guard Against Kickback

With unit unplugged, follow all assembly, adjustment and set up instructions. Make sure lower guard operates. Select the proper blade for the material to be cut.

- Measure and mark work for cutting.
- Support and secure work properly (See Safety Rules and Instructions).
- Use appropriate and required safety equipment (See Safety Rules).
- Secure and maintain work area (See Safety Rules).
- With plug inserted and guard closed, make sure switch turns saw on and off.

⚠ Warning! It is important to support the work properly and to hold the saw firmly to prevent loss of control which could cause personal injury. Fig. C illustrates recommended hand position.

OPERATION

Switch

- To operate the tool, depress the trigger switch (1). The tool will continue to run as long as the trigger is depressed.
- To turn the tool off, release the trigger switch (1). There is no provision for locking the tool on, and the switch should never be locked on by any other means.

Sawing

⚠ Warning! To reduce the risk of serious personal injury, always hold the tool with both hands.

- Let the blade run freely for a few seconds before starting the cut.
- Apply only a gentle pressure to the tool while performing the cut.
- Work with the shoe pressed against the workpiece.

HINTS FOR OPTIMUM USE

- As some splintering along the line of cut on the top side of the workpiece cannot be avoided, cut on the side where splintering is acceptable.
- Where splintering is to be minimized, e.g. when cutting laminates, clamp a piece of plywood onto the top of the workpiece.

Pocket Cutting (Fig. K)

Pocket cutting is used to cut a hole in a piece of material without cutting from the side.

- Measure and mark work.
- Tilt saw forward and rest front of the shoe on material to be cut. Align so that cut will begin at the back of the drawn rectangle shown in Fig. K.
- Using the retracting lever, retract blade guard to an upward position, with the blade just clearing the material, start motor and gradually lower the saw into the material.

⚠ Warning! As blade starts cutting the material, release the retracting lever immediately.

- Never tie the blade guard in a raised position.
- When the shoe rests flat on the material being cut, complete the cut in forward direction.
- Allow the blade to come to a complete stop before lifting saw from material.
- When starting each new cut, repeat the above steps.

Wrench Storage (Fig. L)

The spanner wrench (8) can be stored on the saw shoe as shown in Fig. L.

Attaching and Removing the Rip Fence (Fig. M)

The rip fence is used to saw in a straight line parallel to the edge of the working piece.

Attaching

- Loosen the locking knob (17).
- Insert the rip fence (18) through the openings (19).
- Slide the rip fence into the desired position.
- Tighten the locking knob.

Removing

- Loosen the locking knob.
- Pull the rip fence out of the tool. Note: If you do not have a proper fitting fence, use a straight edge guide in contact with the edge of the shoe to improve accuracy of cut and reduce the possibility of binding

and kickback.

Accessories

The performance of your tool depends on the accessory used. Stanley and Piranha accessories are engineered to high quality standards and designed to enhance the performance of your tool. By using these accessories you will get the very best from your tool.

⚠ Warning! The use of any accessory not recommended for use with this tool could be hazardous. Use only 185mm blades with 19mm or 20mm diameter arbor.

Not to use any abrasive wheels.

MAINTENANCE

Your tool has been designed to operate over a long period of time with a minimum of maintenance. Continuous satisfactory operation depends upon proper tool care and regular cleaning.

⚠ Warning! Before performing any maintenance, switch off and unplug the tool.

- Regularly clean the ventilation slots in your tool using a soft brush or dry cloth.
- Regularly clean the motor housing using a damp cloth. Do not use any abrasive or solvent-based cleaner.

⚠ Important! To assure product Safety and Reliability, repairs, maintenance and adjustment (other than those listed in this manual) should be performed by authorized service centers or other qualified service personnel, always using identical replacement parts.

LUBRICATION

Stanley tools are properly lubricated at the factory and are ready for use.

PROTECTING THE ENVIRONMENT



Separate collection. This product must not be disposed of with normal household waste.

Should you find one day that your Stanley product needs replacement, or if it is of no further use to you, do not dispose of it with household waste. Make this product available for separate collection.



Separate collection of used products and packaging allows materials to be recycled and used again. Re-use of recycled materials helps prevent environmental pollution and reduces the demand for raw materials.

Local regulations may provide for separate collection of electrical products from the household, at municipal waste sites or by the retailer when you purchase a new product.

STSC1518 1510W 电圆锯

技术数据

规格	STSC1518	
电压	伏特	220
功率	瓦特	1510
空载速度	/分	5500
锯片最大直径	毫米	185
最大切割深度	毫米	62

用途

本电圆锯用来切割木材和木料产品。

一般电动工具安全规则

警告！阅读并理解所有指示说明。如不遵守以下任何指示说明，可能导致触电、火灾和/或严重人身伤害。

请保存好所有指示说明



安全说明

电动工具一般安全警告。

警告！请阅读所有安全警告和指示说明。

如不遵守以下任何警告和指示说明，可能导致触电、火灾和/或严重伤害。

请保存好所有警告和指示说明，以备将来查阅。以下所有警告中的“电动工具”一词是指电源驱动（有线）电动工具，或者电池驱动（无线）电动工具。

1. 工作区域

- 保持工作场地清洁和明亮。混乱和黑暗的场地会引发事故。
- 不要在易爆环境，如有易燃液体、气体或粉尘环境中操作电动工具。电动工具产生的火花会点燃粉尘或气体。
- 请让儿童和旁观者离开后操纵电动工具时。分心会使你放松控制。

2. 电气安全

- 电动工具的插头必须与插座相配。切勿以任何方式改装插头。需接地的电动工具不能使用任何转换插头。未经改装的插头和相配的插座将减少触电危险。
- 避免人体接触接地表面，如管道、散热片、炉灶和冰箱等。如果您的身体接地会增加触电危险。
- 不得将电动工具暴露在雨中或潮湿环境中。水进入电动工具将增加触电危险。
- 不得滥用电源线。绝不能用电线搬运、拉动电动工具或拔出其插头。让电线远离热、油、锐边或

运动部件。受损或缠绕的电线会增加触电危险。

- 在户外使用电动工具时，使用适合户外使用的外接电线。适合户外使用的电线将减少触电危险。
 - 如果必须在潮湿场合使用电动工具，请使用漏电保护器（RCD）。使用RCD可减小电击危险。
- ### 3. 人身安全
- 保持警觉。操作电动工具时，关注所从事的操作并保持清醒。切勿在疲倦、药物、酒精或治疗反应的情况下操作电动工具。操作电动工具期间精力分散会导致严重人身伤害。
 - 使用安全防护装备。始终佩戴护目镜。安全装置，诸如用于适当条件下的防尘面具、防滑安全鞋、安全帽或听力保护等装置能减少人身伤害。
 - 避免意外启动。确保开关在插入差头时处于关断位置。手指放在开关上搬运电动工具，或开关处于接通状态时插入插头均可引发危险。
 - 在电动工具接通之前，取下所有调整钥匙或扳手。遗留在电动工具旋转零件上的扳手或钥匙可能会导致人身伤害。
 - 手不要伸得太长。时刻保持身体平衡，并找到合适的落脚点。这样在意外情况下才能更好地控制电动工具。
 - 着装适当。不要穿宽松衣服或佩戴饰品。让您的头发、衣服和手套远离运动部件。宽松衣服、配饰或长发可能会卷入运动部件。
 - 如果提供了与排屑装置、除尘设备连接用的装置，请确保他们连接完好且使用得当。使用这些装置可减少粉尘引起的危险。
- ### 4. 电动工具使用和注意事项
- 不要滥用电动工具。根据用途使用适当的电动工具。按额定速率使用的适当电动工具会让您更有效、更安全地执行工作。
 - 工具开关不能接通或关断电源时，请勿使用工具。不能用开关来控制的电动工具是危险的且必须进行修理。
 - 在进行任何调节、更换附件或存放工具之前，必须从电源上拔掉插头和/或取下电池组。这种防护措施将降低电动工具意外启动的风险。
 - 将闲置的电动工具存放在儿童所及范围之外，并且不要让不熟悉电动工具或对这些使用须知不了解的人操作电动工具。电动工具在未经培训的用户手中会发生危险。
 - 保养电动工具。检查运动部件是否错位或夹锯或破损，以及是否存在影响电动工具运行的其它情况。如有损坏，必须在使用前修理电动工具。许多事故原因都是电动工具电瓶不良。
 - 保持刀具锋利和清洁。保养良好、切削锋利的刀具不易卡住而且更易于控制。
 - 按照使用说明书以及作业条件和具体进行的工作使用电动工具、附件和工具刀头等。电动工具用于设计之外的目的时，可能发生危险。

5. 维修

- a. 将你得电动工具送交专业维修人员，必须使用同样得备件进行更换。这样将确保所维修的电动工具的安全性。

6. 电气安全



本设备为双重绝缘，因此无须接地线。请务必确认电源电压是否与标牌上标明的电压一致。



警告！如电源线损坏，必须用一条通过服务部门购得的专门制备软线来更换。如电源线由具备同等资格但未经史丹利授权的人士更换，则产品质量保将无效。

7. 工具上的标签

您的工具上可能包含下列符号：

- V 伏特
A 安培
Hz 赫兹
W 瓦特
min 分钟
~ 交流电
= 直流电
n₀ 空载速度
□ 双重绝缘
⊕ 接地终端
△ 安全警告标识
.../分 每分钟旋转或往复次数



参阅说明手册

电圆锯安全说明

- 让手始终远离切割区域和锯片。辅助手始终紧握辅助手柄或马达外壳。如需双手持握电圆锯，请小心不要被锯片割伤。
- 把身体保持在锯片的任何一侧，但不得与锯片处于同一直线。回弹可能令电圆锯往后跳动。（见“回弹的成因和预防”）
- 不得使肢体处于工作面下方。防护装置无法在工作面下方保护您不受锯片伤害。
- 每次使用前检查下方防护罩是否能顺利闭合。如果下方防护罩活动不畅或不能及时闭合，请勿操作电圆锯。决不能以夹、捆或其他方式将下方防护罩固定在打开位置。如电圆锯意外跌落，下方防护罩可能会弯曲。用回拉杆抬起下方防护罩，确保防护罩能顺畅活动，且在任何角度和深度切割时都不触碰锯片或任何部件。
- 检查下方防护罩弹簧的状况和运作。如防护罩和弹簧无法正常工作，必须在使用前进行维护。因部件损坏、粘性污垢或残渣堆积等原因，下方防护罩可能会活动不畅。
- 只有在进行“袋形切割”、“复合切割”等特殊

切割时方可手动收起下方防护罩。使用回拉杆抬起下方防护罩。当锯片切入切割对象时必须立即让下方防护罩恢复原位。进行所有其他切割作业时，必须让下方防护罩处于自动运作模式。

- 将电圆锯放置在凳子或地板上之前，始终要确认下方防护罩已盖住锯片。无防护的锯片转动时可令电圆锯往后运动，割坏路径的一切物体。请注意，放开扳机后需一段时间锯片才能完全停止转动。
- 切勿手持或以两腿夹住要切割的对象。对切割对象进行适当的支撑非常重要，以最小化身体暴露、锯片运转不畅或失控的危险。
- 切割工具可能接触隐藏的电线或工具本身的电源线时，请借助绝缘手柄握持工具。如果接触到“带电”导线，电动工具金属部件表面就会“带电”并使操作人员触电。
- 高速切割时，始终使用导尺或直边卡尺。这有助于改善切割精度并降低锯片运转不畅的可能。
- 始终在轴孔尺寸和形状（菱形和圆形）正确的前提下使用电圆锯。与锯台设备不匹配的锯片将出现偏心运动，导致失控。
- 决不能使用损坏或不当的锯片垫圈或螺栓。锯片垫圈和螺栓是为您的电圆锯特别设计的，可优化作业效率和安全。

所有圆锯的安全说明

危险：

- a. 让手始终远离锯割区域和锯片。你的另一只手始终握住辅助手柄或电动机机壳。如果双手都握住圆锯，就不会被锯片伤害。
- b. 不得接触工件的下面。护罩不能防止工件下方锯片的危险。
- c. 将锯割深度调至工件的厚度。能看到在工件下露出的锯齿应不到一个齿高。
- d. 不得手持工件或将工件架在腿上进行锯割，应将工件夹紧在一个稳定的平台上。适当支撑工件对减少人身伤害、锯片卡住或操作失控是至关重要的。
- e. 在锯割工具进行操作时有可能碰到暗线或自身电线的场合，须通过绝缘握持面来握住电动工具。碰到“带电”电线也会使工具的裸露金属部分带电，从而使操作者触电。
- f. 当作劈锯时，始终使用劈锯护栏和直边导向器。这样改善了锯割精度并减小了锯片卡住的几率。
- g. 始终使用尺寸和轴心形状（菱形或圆形）得当的锯片。如果锯片与圆锯夹装部件不符将引起偏心运转而导致失控。
- h. 不得使用损坏的和尺寸不符的垫圈和螺栓。为改善作业和安全运行，锯片垫圈及螺栓是为圆锯专门设计的。

对各种圆锯的进一步安全说明回弹的原因和操作者防护：

回弹是当锯片受挤压、被卡住或偏离中心时的突然反作用，使圆锯不受控制地抬起并脱离工冲向操作者。

- 当锯片受挤压或被收拢的切口紧紧卡住时，锯片堵转且电动机反作用力驱使整机朝操作者快速弹回。
- 如果锯片发生扭曲或偏离锯割面，锯片后边缘上的锯齿会挖入木材上表面从而引起锯片爬出切口并朝操作者回弹。

回弹是误用圆锯和 / 或不正确操作程序或条件导致结果，采取以下适当预防措施可避免回弹。

- a. **双手紧握圆锯上的把手，双臂放置得能抵住回弹力。身体处于圆锯的任意一侧而不对准锯片。**回弹会导致圆锯的向后弹起，但如果采取了适当的防备措施，回弹力可以受操作者的控制。
- b. **当锯片卡住，或因任何原因导致的锯割中断时，释放开关扳机并握持圆锯在材料中不移动，直到锯片完全停止。不得在锯片处于运转或可能发生回弹情况下尝试将圆锯从工件中拿走或向后拉动圆锯。**调查并采取正确的措施以消除锯片卡住的原因。
- c. **当在工件中重新启动圆锯时，将锯片对准切口并检查锯齿是否插入材料。**如果锯片卡住了，工具重新启动时，锯片会爬出工件或从工件上回弹。
- d. **支撑大型板料以减少锯片受挤压和回弹的危害。**大型板料因自重向下垂，支撑物必须放置在板料下面的两侧，靠近切割线和板料边缘都要放置。
- e. **不得使用钝的或破损的锯片。**没有开锋的或安装不当的锯片会形成窄小的锯痕，从而导致剧烈摩擦、锯片卡住和回弹。
- f. **锯割之前，锯割深度和倾角调节锁定钮必须旋紧和紧固。**如果锯割时锯片调节器发生移动，可能会引起锯片卡住和回弹。
- g. **当对现存墙体或其他盲区进行“插入式锯割”时要格外小心。**伸出锯片可能会锯割到引起回弹的物体。

带摆动时外护罩的圆锯、带摆动式内护罩的圆和带拖拉式护罩的圆锯的安全说明。

- a. **每次使用前，检查下护罩闭合是否自如。如果下护罩不能迅速回缩，则不得操作圆锯。不得将下护罩夹住或系绑在开启位置。**如果圆锯突然跌落，下护罩可能会弯曲变形，用缩手柄抬起下护罩，确信在任何锯割角度和深度下护罩回缩自如，且不会触及锯片和任何其它零件。
- b. **检查下护罩弹簧的工作情况，如果护罩及弹簧不能正常工作，必须在使用前对其进行维修。**下护罩可能因零件损害、胶质沉积或废屑堆积而运动迟缓。
- c. **仅当特殊锯割，例如“插入式锯割”和“组合式锯割”，才应用手动方式抬起下护罩。用回**

缩手柄抬起下护罩，锯片刚一进入到锯割材料就必须释放下护罩。对所有其他锯割作业，下护罩应自动回缩。

- d. **在把圆锯放置在工作台或地上之前始终能看到下护罩是遮住锯片的。**未经防护的、有惯性的锯片引起圆锯后退，锯割到其行程上的物体，要考虑到开关释放后锯片停下来的时间。

安全规则 / 定义

阅读并理解本手册对您非常重要。其信息事关保护您的安全和避免麻烦。以下标识可帮助您辨认所要传达的信息。

⚠ 危险！表示紧急的危险情形，如不加以避免，将导致死亡或严重伤害。

⚠ 警告！表示潜在的危险情形，如不加以避免，可能导致死亡或严重伤害。

⚠ 小心！表示潜在的危险情形，如不加以避免，可能导致轻度或中度伤害。

⚠ 小心！（不带安全警示标志）：表示潜在的危险情形，如不加以避免，可能导致财产损失。

其他有关电圆锯的安全规则

⚠ 警告！使用本工具可产生和 / 或激起灰尘，由此导致严重的永久性呼吸系统损伤或其他伤害。始终使用 NIOSH/OSHA 认可的、与所暴露的灰尘类型相适的呼吸保护装置。避免颗粒直接接触面部和身体。

⚠ 小心！使用时佩戴适当的听力保护装置。在某些情况下、以及长时间使用时，本产品的噪音可能导致听力损伤。

- **让下方防护罩在比切割对象更低的粗糙表面上摩擦会严重影响操控性。**电圆锯会部分抬起，增加锯片变形的风险。确保工件得到充分的清理。
- **如有必要抬起下方防护罩，应使用回拉杆。**
- **保持锯片清洁和锋利。**锋利的锯片能最小化失速和回弹的可能性。使用钝化和 / 或肮脏的锯片会增加切割负荷，迫使操作者以更大的力推拉，从而诱发变形。

⚠ 小心！撕裂伤危害。双手远离切割区域。保持双手远离锯片。决不能在切割时将手放在锯片行进的路径上。锯片旋转时，不得将手伸到切割对象下方。不得在锯片运动时试图移除切割对象。

- **支撑大型切割对象。**必须按本手册图示（图 A）为大型切割对象提供支撑，以最小化锯片夹住和回弹的风险。仅在两端支撑（图 B）会导致锯片夹住。如切割作业需要，将电圆锯安放在工件上时，应将锯子放在较大的一侧，将较小的一侧切下。
- **安装锯片时仅使用正确的锯片和组装部件。**不得在轴孔不正确的情况下使用锯片。决不能使用损坏或不当的锯片垫圈或螺栓。遵循锯片组装流程。

- **调整。切割前务必确保深度和斜切角调整杆的坚固度。**
- **适当支撑和固定切割对象。**确保切割对象被夹紧（图 C），并在坚固、稳定和水平的工作面上获得牢固的支撑和平衡。支撑切割对象，让锯底板较宽的一侧位于切割对象被切割后不会掉落的一侧。决不能用手紧握切割下的工件（图 D）。锯片夹住可导致回弹。应始终双手持握。
- **保持警惕，注意控制身体始终位于锯片的一侧。**始终用双手牢牢握持并控制锯身。锯片运转时不要改变握持方式或身体姿势。采取预防措施，避免切下的物件和其他作业中掉落物品导致受伤。

⚠ 危险！如锯片卡住或锯子停转，立即松开扳机。

功能部件（图 E）

1. On / Off 开关
2. 主握柄
3. 次握柄
4. 底板
5. 锯片
6. 锯片防护罩
7. 锯片防护罩回拉杆
8. 锯片活动扳手
9. 斜角调整旋钮
10. 外垫圈
11. 锯片固定螺丝
锯片六角扳手(15)（见图 I）
导尺(18)（见图 M）
内法兰(20)（见图 J）

组装 / 调整设置

⚠ 警告！进行任何以下操作前始终拔下电源插头。

调整切割深度（图 F 和 G）

切割深度可根据工件厚度设置。

- 松开卡杆（12）解锁锯底板。
- 移动锯底板（4）至所需位置。可从刻度（13）上读出相应的切割深度。
- 拉紧卡杆锁定锯底板。
- 切割深度以一个锯齿突出到工件下方（如图 G 所示）为宜。

调整斜切角（图 H）

本工具可在 0 至 45 度的范围内设置斜切角

- 松开锁定旋钮（9）解锁锯底板。
- 移动锯底板（4）至所需位置。可从刻度（14）上读出相应的斜切角度。

- 拉紧锁定旋钮锁定锯底板。

安装锯片（图 I 和 J）

- 为避免轴心旋转，如图 I 所示将活动扳手（8）突起部塞入外垫圈（10）洞内。
 - 逆时针转动六角扳手（15）卸下锯片固定螺丝（11）。
 - 卸下外垫圈。
 - 检查并调整内法兰（20），确保标有与锯片（5）内孔直径相匹配的数字面朝外，装于输出轴（16）上。
 - 将锯片（5）放在内法兰（20）上，确保锯片上的箭头与工具上的箭头朝向一致。
 - 将外垫圈（10）安装在转轴上，斜边对远离锯片的一侧。
 - 将锯片固定螺丝（11）拧入转轴螺丝孔。
 - 将活动扳手突起部塞入外垫圈洞内以避免转轴旋转。
 - 握住活动扳手、顺时针方向转动六角扳手，以拧紧锯片固定螺丝。
- ⚠ 警告！**内法兰（20）正反面标有数字“19”和“20”，用于配内孔直径分别为 19mm 和 20mm 的锯片（5）。

卸除锯片

- 为避免轴心旋转，将活动扳手（8）突起部塞入外垫圈（10）洞内。
- 使用六角扳手（15）逆时针旋转卸下片固定螺丝（11）。
- 卸下外垫圈（10）。
- 卸除锯片（5）。

⚠ 警告！为减少严重人身伤害的风险，请在使用工具前阅读、理解并遵守所有重要安全警告和指示说明。

一般切割

谨防回弹

拔下电源插头，执行所有组装、调试和设置说明步骤。确保下方防护罩能正常工作。

针对要切割的材质选择合适的锯片。

- 对切割工件进行测量和标记。
- 充分支撑和固定工件（见安全规则和指示说明）。
- 视需要使用合适的的安全装备（见安全规则）。
- 维护工作场所安全并保持整洁（见安全规则）。
- 插上电源并闭合防护罩后，确保开关能正常启停电圆锯。

⚠ 警告！充分支撑工件并牢牢持握电圆锯非常重要，以避免可导致人身伤害的失控。图 C 为推荐持握姿势示意。

操作 开关

- 如需操作工具，深按触发开关（1）。只要保持深按状态，该工具就将持续运转。
- 如需关闭工具，请释放触发开关（1）。该工具不可锁定为开启状态，决不能以任何其他方式将开关锁定为开启状态。

切割

⚠ 警告！为减少严重人身伤害的风险，始终用双手持握。

- 开始切割前让锯片空转数秒。
- 切割时仅对工具轻轻施压。
- 工作时用锯底板压住工件。

最佳使用的技巧

- 工件顶部在切割线附近产生一些碎屑是无法避免的，请在碎屑量可以接受的一侧进行切割。
- 如需要尽量减少碎屑——例如切割层压材料时，请在工件上方放置一块胶合板并夹紧。

袋形切割（图 K）

袋形切割用于在工件上切出洞形切口，而不切到任何一侧。

- 测量并标记工件。
- 使锯身前倾，让锯底板前部靠在待切割物体上。调整到合适的位置，从所画出的长方形后部开始切割，如图 K 所示。
- 使用回拉杆将锯片防护罩收起至靠上位置，使锯片刚好能够到切割物体，启动马达，让锯片缓缓切入。

⚠ 警告！当锯片开始切割后，立即松开回拉杆。

- 决不能将锯片防护罩固定在抬起位置。
- 将锯底板平放在待切割物体上时，以向前的方向完成切割。
- 等锯片完全停转再将锯子从切割物体中取出。
- 在每一次新的切割作业前重复上述步骤。

扳手存储（图 L）

活动扳手（8）可如图 L 所示存放在锯底板内。

安装

- 松开锁定旋钮（17）。
- 从开口处（19）插入导尺（18）。
- 将导尺插到所需位置。
- 拉紧锁定旋钮。

卸除

- 松开锁定旋钮。
- 将导尺拉出。注：如果您没有合适的导轨，可将

直边卡尺靠在锯底板边缘以提高切割精度，减少运转不畅和回弹的风险。

附件

任何电动工具的性能都取决于所使用的附件。史丹利和 Piranha 附件依据高质量标准进行规划，并设计用于增强电动工具的性能。购买这些附件会令您的工具如虎添翼。

⚠ 警告！使用任何不建议与本工具配合使用的附件会导致危险。仅使用轴孔直径为 19 毫米或 20 毫米的 185 毫米锯片。

另外：不得使用任何砂轮。

维护

您的工具设计精良，可以长期使用，仅需极少维护。要连续获得令人满意的工作效果，需要您进行正确的保养和定期的清洁。

⚠ 警告！在进行任何维护前关闭电源并拔出插头。

- 定期使用软刷或干布清洁工具内的通风槽。
- 定期使用湿布清洁电动机外壳。请勿使用任何研磨性或基于溶剂的清洁剂。

⚠ 重要！为了确保产品安全及可靠，所有的维修、保养和调节，除了本手册中列出的以外，均应该由授权的检修中心或合格的维修服务人员执行，并始终使用相同的备件。

润滑

史丹利工具已在工厂经过充分润滑，可立即使用。

保护环境



分类回收。本产品不得与普通家庭垃圾一起处理。

如果您发现您的史丹利产品需要进行替换，或您已经不再需要使用这些产品，请不要将它们与家庭废物一起处理。请单独对本产品进行分类回收。



旧产品及包装的分类回收可使回收材料得以再度循环和利用。再循环材料的重新利用有助于防止环境污染和减少原料需求。

当您购买新产品时，可从家庭、城市垃圾站或通过零售商获得电气产品分类收集的当地法规。

制造商：百得美国公司

地址：美国

产地：江苏苏州

STEL311 1510W 원형톱

기술 데이터

사양	STEL311	
전압	V	220
전력	W	1510
무부하 속도	/min	5500
최대 직경	mm	185
최대 절단 깊이	mm	62

용도

스탠더 톱은 목재 및 목공품 톱질용으로 설계되었습니다.

일반 안전 규정

경고! 모든 지시사항을 읽고 숙지하십시오. 아래 설명한 모든 지시 사항을 따르지 않으면 감전, 화재 및/또는 심각한 부상을 초래할 수 있습니다.

본 지시 사항을 잘 보관해두십시오



안전 지침

전동 공구에 관한 일반 안전 경고.

경고! 모든 안전 경고와 모든 지시사항을

읽으십시오. 아래 나열된 경고와 지시 사항을 준수하지 않으면 감전, 화재 및/또는 심각한 부상을 초래할 수 있습니다.

향후 참고할 수 있도록 모든 경고 및 지시 사항을 보관해두십시오. 아래의 모든 경고에서 사용된 "전동 공구" 라는 말은 주 공급 전원에 의해 전기가 공급되는 (유선) 전동 공구 또는 충전식(무선) 전동 공구를 의미합니다.

1. 작업 영역

- 작업 영역을 청결하고 밝게 유지하십시오. 혼잡하고 어두운 작업 영역에서는 사고가 발생하기 쉽습니다.
- 가연성 액체, 가스 또는 먼지 등 폭발 가능성이 있는 환경에서 전동 공구를 사용하지 마십시오. 전동 공구에서 먼지나 가스를 발화시킬 수 있는 불꽃이 될 수 있습니다.
- 전공 공구를 사용하는 동안에는 어린이와 주변 사람들이 작업 영역에 가까이 들어오지 못하도록 하십시오. 주변이 산만해져 통제력을 잃을 수 있습니다.

2. 전기 안전

- 전동 공구의 플러그는 콘센트와 형식이 일치해야 합니다. 플러그를 어떤 방식으로든 절대 개조하지 마십시오. 접지된(지면 접지) 전동 공구에 어떤 어댑터 플러그도 사용하지 마십시오. 개조되지 않은 플러그 및 형식이 일치하는 콘센트를 사용하면 감전 위험이 줄어듭니다.

- 파이프, 라디에이터, 렌즈 및 냉장고 등과 같이 접지된 표면에 신체가 접촉하지 않도록 하십시오. 신체가 접지되어 있으면 감전 위험이 높아집니다.
- 전동 공구를 비 또는 습한 환경에 노출하지 않도록 주의하십시오. 전동 공구에 물이 들어가면 감전 위험이 높아집니다.
- 코드를 합부로 다루지 마십시오. 코드를 사용하여 전동 공구를 운반하거나 잡아당기거나 플러그를 뽑지 마십시오. 열, 오일, 날카로운 가장자리 또는 움직이는 부품에서 멀리 떨어진 장소에 코드를 보관하십시오. 코드가 손상되거나 얽혀 있으면 감전 위험이 높아집니다.
- 전동 공구를 실외에서 사용할 때는 실외 사용에 적합한 연장 코드를 사용하십시오. 실외 사용에 적합한 코드를 사용하면 감전 위험이 줄어듭니다.
- 어쩔 수 없이 습한 장소에서 전동 공구를 사용해야 하는 경우에는 누전 차단기(RCD)로 보호된 전원 공급 장치를 사용하십시오. RCD를 사용하면 감전 위험이 줄어듭니다.

3. 신체 안전 사항

- 전동 공구로 작업할 때는 방심하지 말고 작업에 주의하면서 상식에 따르십시오. 피곤한 상태이거나 약물, 술, 치료제를 복용한 상태에서는 전동 공구를 사용하지 마십시오. 전동 공구를 사용하다 잠깐만 한 눈을 팔아도 심각한 부상을 당할 수 있습니다.
- 안전 장구를 사용하십시오. 항상 보안경을 착용하십시오. 적합한 상황에서 방진 마스크, 미끄럼 방지 안전화, 안전모 또는 청력 보호 기구 등의 안전 장구를 사용하면 부상 위험이 줄어듭니다.
- 의도하지 않은 장비 가동 방지. 전원 및/또는 배터리 팩에 연결한 상태로 공구를 선택 또는 운반할 때는 사전에 스위치가 꺼짐 위치에 있는지 반드시 확인하십시오. 스위치가 꺼짐 위치에 있는 상태에서 스위치에 손가락이 닿은 상태로 전동 공구를 운반하거나 전동 공구에 전원을 공급하면 사고가 발생합니다.
- 전동 공구를 켜기 전에 모든 조정 키 또는 렌치를 제거하십시오. 전동 공구의 회전 부품에 렌치나 키가 장착되어 있으면 부상을 당할 수 있습니다.
- 무리하게 팔을 뻗지 마십시오. 항상 올바른 자세로 서서 균형을 유지하십시오. 그러면 예기치 않은 상황에서 전동 공구에 대한 제어력이 향상됩니다.
- 적절한 의복을 착용합니다. 헐렁한 옷이나 장신구를 착용하지 마십시오. 머리카락, 옷 및 장갑이 움직이는 부품에 닿지 않도록 주의하십시오. 헐렁한 옷, 장신구 또는 긴 머리카락이 움직이는 부품에 걸릴 수 있습니다.
- 먼지 배출 및 집진 시설 연결을 위한 장치가 제공된 경우, 이를 장치가 연결되어 적절히 사용되고 있는지 반드시 확인하십시오. 이러한 장치를 사용하면 먼지와 관련된 위험을 줄일 수 있습니다.

4. 전동 공구 사용 및 관리

- 전동 공구에 무리한 힘을 가하지 마십시오. 해당 용도에 맞는 올바른 전동 공구를 사용하십시오. 올바른 전동 공구를 사용해야 설계된 속도로 작업을 더욱 안전하고 정확하게 수행할 수 있습니다.
- 스위치로 켜지고 꺼지지 않는 전동 공구는 사용하지 마십시오. 스위치로 제어되지 않는 전동 공구는 위험하며 수리해야 합니다.

- c. 전동 공구를 조정하거나 액세서리를 변경하거나 보관하기 전에 전원 및/또는 배터리 팩에서 플러그를 빼십시오. 이러한 예방적 안전 조치를 따라야 전동 공구가 갑자기 작동할 위험이 줄어듭니다.
- d. 사용하지 않는 전동 공구는 어린이의 손이 닿지 않는 곳에 보관하고, 전동 공구나 본 지시 사항에 익숙하지 않은 사람이 전동 공구를 절대 사용하지 못하게 하십시오. 전동 공구는 훈련을 받지 않은 사용자가 다루면 위험합니다.
- e. 전동 공구 유지 보수. 움직이는 부품의 잘못된 정렬이나 바인딩, 부품 파손 및 기타 전동 공구의 작동에 영향을 미칠 수 있는 상태가 있는지 확인하십시오. 손상된 부분이 있는 경우 사용하기 전에 전동 공구를 수리하십시오. 많은 사고는 전동 공구를 제대로 유지 보수가 되지 않아 발생합니다.
- f. 절삭 공구를 예리하고 깨끗한 상태로 유지하십시오. 절삭 가장자리를 예리하게 잘 유지하면 절삭기를 사용할 때 바인딩이 적고 다루기가 용이합니다.
- g. 작업 환경과 수행할 작업을 고려하여, 본 지시 사항에 따라 전동 공구, 액세서리 및 톨 비트 등을 사용하십시오. 본 사용 설명서의 내용과 다른 용도로 전동 공구를 사용하면 위험한 상황이 발생할 수 있습니다.

5. 수리

- a. 자격을 갖춘 기술자가 동일 교체 부품을 사용하여 정비 작업을 수행해야 합니다. 그래야 전동 공구의 안전이 보장됩니다.

6. 전기 안전



이 제품은 이중으로 절연되어 있으므로 접지선이 필요 없습니다. 전원이 전동기 내입 플레이트에 기재된 전압과 일치하는지 항상 확인하십시오.



경고! 전원 코드가 손상된 경우, 제품 손상이나 부상을 방지하기 위해 제조업체, 공인 스탠리 서비스 센터 또는 이에 준하는 자격을 가진

수리 기술자가 교체해야 합니다. 적절한 기술을 갖추었지만 스탠리에서 공인하지 않은 기술자를 통해 전원 코드를 교체하는 경우, 보증이 무효화됩니다.

7. 공구 라벨

공구에 장착된 라벨에 다음 기호가 사용됩니다.

- V전압
- A.....전류
- Hz주파수
- W와트
- min분
- ~교류
- =직류
- n₀무부하 속도
- ☐클래스 II 건설 산업용
- ⊕접지 단자
- ⚠안전 경고 기호
- .../min분당 회전 또는 왕복 수
- 🔧사용 설명서 속독

- 목재 절삭용 공구의 경우, 집진 장치의 정확한 사용에 대한 지침.
- 목재 절삭용 공구의 경우, 방진 마스크 착용에 대한 지침.
- 톨 날만 사용할 것을 권장하는 지침.
- 항상 청력 보호 기구 착용에 대한 지침.

모든 톨 절삭 절차에 대한 안전 지시 사항

- a. 위험! 절삭 영역과 날에서 손을 멀리 두십시오. 다른 손을 보조 핸들 또는 모터 하우징에 두십시오. 양손으로 톨을 잡고 있을 경우 날로 절삭할 수 없습니다.
- b. 작업대 밑에 들어가지 마십시오. 가드가 작업대 아래의 날로부터 보호할 수 없습니다.
- c. 절삭 깊이는 작업물의 두께로 조정하십시오. 톨의 전체 이 미만이 작업물 아래로 보일 수 있어야 합니다.
- d. 손으로 또는 다리 사이로 절삭되고 있는 조각을 잡지 마십시오. 작업물을 안정된 대에 고정하십시오. 신체 노출, 날 바인딩 또는 통제력 손실을 최소화하려면 작업물을 적절하게 지지하는 것이 중요합니다.
- e. 절삭 공구가 숨겨진 배선 또는 자체 코드에 접촉할 수 있는 작업을 수행할 때는 절연된 부분으로 전동 공구를 잡으십시오. 또한 “전류가 흐르는” 전선과 접촉하면 전동 공구의 노출된 금속 부분에 “전류가 흘러” 작업자가 감전될 수도 있습니다.
- f. 떼어낼 때는 항상 측면안내대 또는 직선 자 가이드를 사용하십시오. 이렇게 하면 절삭의 정확도가 개선되고 날 바인딩의 기회가 줄어듭니다.
- g. 정자 구멍의 항상 정확한 크기 및 모양(다이아몬드 대 원형)의 날을 사용하십시오. 톨의 장착 장비와 일치하지 않는 날은 중심을 벗어나 작동하여 통제력이 손실될 수 있습니다.
- h. 손상되었거나 정확하지 않은 날 와서 또는 볼트를 절대로 사용하지 마십시오. 날 와서 및 볼트는 최적의 성능 및 안전한 작동을 위해 톨에 맞게 특수 설계되었습니다.

모든 톨에 대한 추가 안전 지시 사항

반동의 원인과 작업자의 예방 조치:

- 반동은 톨날이 튀거나 오용된 톨날에 대한 급작스러운 반작용으로, 통제되지 않은 톨이 위로 올라가 작업자 쪽으로 향해 작업을 밖으로 나갈 수 있습니다.
- 날이 끼거나 절삭 마무리로 인해 약간 킬 때 날이 멈추고 모터 반작용이 장치를 빠르게 작업자 뒤쪽으로 밀어 넣는 현상입니다.
- 날이 절삭 시 뒤틀리거나 어긋나는 경우, 날의 뒤쪽 가장자리의 이가 목재의 상부 표면을 파고들어 날이 절삭을 벗어나 위로 움직여 작업자 뒤쪽으로 획 움직일 수 있습니다.
- 반동은 톨의 오용 및/또는 정확하지 않은 작동 절차 또는 조건으로 인한 결과이고 아래에 주어진 대로 적절한 예방 조치를 취하여 피할 수 있습니다.
- a. 톨에서 양쪽 손으로 팍 잡고 반동의 힘을 막을 수 있도록 팔의 위치를 잡습니다. 몸은 날의 어느 쪽이든 위치하되, 날의 라인과 일치하지 않도록 합니다. 반동은 톨이 뒤쪽으로 획 움직일 수 있지만, 적절한

예방 조치를 취할 경우 반동의 힘은 작업자가 통제할 수 있습니다.

참고 185 mm 이하의 직경 날을 장착한 원형 톱의 경우 “두 손으로” 라는 말이 누락될 수 있습니다.

- b. 날이 바인딩할 때 또는 어떤 이유로든 절삭을 차단할 때는 트리거를 해제하고 날이 완전히 정지할 때까지 톱이 재료에서 움직이지 않게 잡고 있습니다. 날이 움직이고 있을 때 또는 반동이 발생할 수 있을 경우에는 작업에서 톱을 빼거나 톱을 뒤쪽으로 당기지 마십시오. 날 바인딩의 원인을 제거하려면 그 원인을 조사하여 정확한 조치를 취하십시오.
- c. 작업물에서 톱을 집어 넣을 때 톱날을 컷 중앙에 두고 톱니가 재료에 잘 맞물렸는지 확인하십시오. 톱날이 바인딩되어 있을 경우, 톱이 다시 가동함에 따라 작업 물체가 떨어지거나 반동을 할 수 있습니다.
- d. 큰 판을 지지하여 날이 끼고 반동되는 위험을 최소화하십시오. 큰 판은 자체 무게로 인해 휘는 경향이 있습니다. 판 아래 양쪽, 절삭 라인 근처 및 판 가장자리 근처에 지지대를 놓아야 합니다.
- e. 무디거나 손상된 날을 사용하지 마십시오. 무디거나 또는 적절하지 않게 세팅된 날은 좁은 절삭을 만들어 과도한 마찰, 날 바인딩 및 반동을 야기할 수 있습니다.
- f. 절삭을 하기 전에 날 깊이 및 베벨을 조정하는 잠금 레버를 조여서 고정해야 합니다. 절삭하는 동안 날 조정을 바꿀 경우 바인딩 및 반동을 야기할 수 있습니다.
- g. 기존의 벽 또는 다른 앞이 안 보이는 영역에 “플런지 절삭” 을 할 때는 각별히 주의하십시오. 튀어 나온 날이 반동을 야기할 수 있는 물체를 뺄 수 있습니다.

원형 톱 하루 가드 기능에 대한 안전 지시 사항

- a. 매번 사용하기 전에 적절한 마무리를 위해 하루 가드를 확인하십시오. 하루 가드가 잘 움직이지 않고 즉시 닫히지 않는 경우 톱을 작동하지 마십시오. 열려 있는 위치에서 하루 가드를 조이거나 묶지 마십시오. 톱을 실수로 떨어뜨릴 경우, 하루 가드가 휠 수 있습니다. 집어 넣는 핸들로 하루 가드를 올리고 잘 움직이는지 확인하고 절삭의 모든 각도 및 깊이에서 날 또는 다른 부품을 만지지 마십시오.
- b. 하루 가드 스프링의 작동을 확인하십시오. 가드와 스프링이 적절하게 작동하지 않을 경우, 사용하기 전에 정비해야 합니다. 하루 가드는 손상된 부품, 고무진이 묻은 침전을 또는 잔해물 더미로 인해 느릿느릿 작동할 수 있습니다.
- c. “플런지 절삭” 및 “컴파운드 절삭” 과 같은 특수한 절삭용으로만 하루 가드를 수동으로 집어 넣을 수 있습니다. 핸들을 집어 넣어 하루 가드를 올리고 날이 작업물에 들어가는 즉시 하루 가드를 해제해야 합니다. 기타 모든 톱질을 위해 하루 가드가 자동으로 작동해야 합니다.
- d. 항상 벤치 또는 마루에 톱을 내려 놓기 전에 하루 가드가 날을 덮고 있는지 주시하십시오. 보호되지 않은 타성의 날이 톱이 뒤쪽으로 움직여 무엇이 있든지 간에 절삭할 수 있도록 합니다. 스위치를 해제한 후 날이 정지하는 데 걸리는 시간을 유의하십시오.

원형톱에 대한 안전 지시 사항

- a. 매번 사용하기 전에 적절한 마무리를 위해 가드를 확인하십시오. 가드가 자유롭게 움직이지 않고 즉시

날을 감싸는 경우 톱을 작동하지 마십시오. 날이 노출된 상태에서 가드를 조이거나 묶지 마십시오. 톱을 실수로 떨어뜨릴 경우, 가드가 휠 수 있습니다. 가드가 자유롭게 움직이는지 확인하고 모든 각도 및 절삭 깊이에서 날이나 기타 모든 부품을 만지지 마십시오.

- b. 가드 리턴 스프링의 작동 및 상태를 확인하십시오. 가드와 스프링이 적절하게 작동하지 않을 경우, 사용하기 전에 정비해야 합니다. 가드는 손상된 부품, 고무진이 묻은 침전을 또는 잔해물 더미로 인해 느릿느릿 작동할 수 있습니다.
- c. 날 베벨 설정이 90°에 있지 않을 때 “플런지 절삭” 을 수행하는 동안 톱의 가드 판이 이동하지 않도록 확인하십시오. 옆으로 날이 이동하면 바인딩 및 반동을 야기할 수 있습니다.
- d. 항상 벤치 또는 마루에 톱을 내려 놓기 전에 가드가 날을 덮고 있는지 주시하십시오. 보호되지 않은 타성의 날이 톱이 뒤쪽으로 움직여 무엇이 있든지 간에 절삭할 수 있도록 합니다. 스위치를 해제한 후 날이 정지하는 데 걸리는 시간을 유의하십시오.

안전 지침/경의

본 사용 설명서의 반드시 읽고 숙지하십시오. 본 사용 설명서에는 사용자의 안전과 사고 방지를 위한 정보가 수록되어 있습니다. 아래 기호는 이 정보를 쉽게 알아볼 수 있도록 하기 위한 것입니다.

- ⚠ **위험!** 절박한 위험 상태를 나타내며, 방지하지 않으면 사망 또는 심각한 부상을 초래합니다.
- ⚠ **경고!** 잠재적으로 위험한 상태를 나타내며, 방지하지 않으면 사망 또는 심각한 부상을 초래할 수도 있습니다.
- ⚠ **주의!** 잠재적으로 위험한 상태를 나타내며, 방지하지 않으면 사망 또는 심각한 부상을 초래할 수도 있습니다.
- ⚠ **주의!** 안전 경고 기호 없이 사용될 경우 잠재적으로 위험한 상태를 나타내며, 방지하지 않으면 재산상의 손해가 발생할 수 있습니다.

원형톱에 대한 추가 안전 규칙

- ⚠ **경고!** 본 공구의 사용으로 인하여 발생하거나 비산하는 먼지는 심각한 영구 호흡기 손상 또는 기타 손상을 초래할 수 있습니다. 항상 NIOSH/OSHA에서 미세 입자용으로 승인한 호흡기 보호 장구를 사용하십시오. 얼굴과 몸에 입자가 직접 닿지 않도록 하십시오.
- ⚠ **주의!** 사용 중 적절한 청력 보호 장치를 착용하십시오. 사용 조건과 사용 시간에 따라 제품에서 발생하는 소음으로 인해 청력이 손상될 수도 있습니다.
- 절삭되는 재료 아래의 표면으로 하루 가드를 걸리게 하면 절단 동안 작업자 제어를 줄일 수 있습니다. 톱이 부분적으로 절삭물 밖으로 올라가 날이 비틀릴 수 있습니다. 작업을 아래로 충분한 간격이 있는지 확인하십시오.
- 하루 가드를 수동으로 올려야 할 때는 철회 레버를 사용하십시오.
- 날을 깨끗하고 날카롭게 유지하십시오. 날카로운 날이 멈춤과 반동을 최소화합니다. 무디거나 또는 더러운 날을 사용하면 톱 부하가 증가하여 뒤틀림이 많아지고 작업자가 더 세게 밀어야 할 수 있습니다.

⚠ 주의! 부상 위험. 손은 절삭 부분에서 멀리 두십시오.
 톱날이 닿지 않는 쪽에 손을 두십시오. 절삭 시 날의 경로 앞이나 뒤에 손을 놓지 마십시오. 날이 회전하고 있을 때는 작업을 밀어서 들어가지 마십시오. 날이 움직이고 있을 때 절삭한 재료를 떼려 하지 마십시오.

- **큰 판을 지지하십시오.** 본 설명서의 그림과 같이(그림 A) 큰 판을 지지하여 날이 끼고 반동할 위험을 최소화하십시오. 끝에서만 지지되는 재료(그림 B)는 날이 끼게 할 수 있습니다. 절삭 작업 시 작업물에 톱의 나머지 부분이 있어야 할 때, 톱이 더 큰 부분에 있어야 하고 작은 조각은 절단해야 합니다.
- **날을 장착할 때는 정확한 날과 날 조립 부품들만 사용하십시오.** 정확하지 않은 크기 구멍의 날을 사용하지 마십시오. 결함이 있거나 정확하지 않은 날 와서 또는 볼트를 절대로 사용하지 마십시오. 날 조립 절차를 따르십시오.
- **조정. 절삭하기 전에 깊이 및 베벨 조정이 조여졌는지 확인하십시오.**
- **적절하게 작업물을 지지 및 고정합니다.** 자를 재료가 조여졌고(그림 C) 강력하고, 안정되며 평평한 작업 표면에 서튼튼하게 지지되고 균형을 이루는지 확인하십시오. 톱 슈의 넓은 부분이 절삭한 후 떨어지지 않는 재료 쪽에 있도록 작업물을 지지합니다. 손으로 절단한 조각을 잡지 마십시오(그림 D). 날이 끼여 반동이 발생할 수 있습니다. 항상 톱을 양손으로 잡으십시오.
- **방심하지 말고 제어하는 연습을 하십시오. 몸은 톱날의 한 쪽에 위치하도록 하십시오.** 항상 톱을 꼭 잡고 양손으로 톱을 제어하십시오. 톱이 작동하고 있을 때는 손잡이 또는 몸의 위치를 바꾸지 마십시오. 작동 중에 절단한 조각과 기타 떨어지는 물질로부터 부상당하지 않도록 조심하십시오.

⚠ 위험! 날이 영기거나 톱이 정지할 경우 즉시 스위치를 놓습니다.

각부 명칭(그림 E)

1. On/Off 스위치
2. 주 핸들
3. 보조 핸들
4. 슈
5. 톱날
6. 톱날 가드
7. 톱날 가드 철회 레버
8. 톱날 스페너 렌치
9. 베벨 조정 노브
10. 외부 와서
11. 날 고정 나사
 톱날 육각 렌치(그림 I (15)에 표시됨)
 립 펜스(그림 M(18)에 표시됨)
 내부 플랜지(그림 J (20)에 표시됨)

조립/조정 설정

⚠ 경고! 다음과 같은 조작 전에 항상 전원에서 톱의 플러그를 뽑으십시오.

절삭 깊이 조정(그림 F 및 G)

절삭 깊이는 작업물의 두께에 따라 설정되어야 합니다.

- 레버(12)를 풀어 톱 슈의 잠금을 해제합니다.
- 톱 슈(4)를 원하는 위치로 이동합니다. 해당 절삭 깊이는 눈금(13)으로 읽을 수 있습니다.
- 레버를 조여 톱 슈를 제자리에 고정합니다.
- 날의 치 한 개가 그림 G와 같이 작업물 아래로 투영되도록 톱의 깊이 조정을 설정합니다.

베벨 각도 조정(그림 H)

이 공구는 0°~45°사이로 베벨 각도를 설정할 수 있습니다.

- 잠금 노브(9)를 풀어 톱 슈의 잠금을 해제합니다.
- 톱 슈(4)를 원하는 위치로 이동합니다. 해당 베벨 각도는 눈금(14)으로 읽을 수 있습니다.
- 잠금 노브를 조여 톱 슈를 제자리에 고정합니다.

날 장착(그림 I 및 J)

- 축 회전을 방지하려면 그림 I와 같이 스페너 렌치(8)의 돌출한 부분이 외부 와서(10)의 구멍에 맞물리게 합니다.
- 육각 렌치(15)를 시계 반대 방향으로 돌려 날 고정 나사(11)를 풀어 분리합니다.
- 외부 와서를 분리합니다.
- 스프링(16)의 내부 플랜지(20)를 확인하고 다시 조립합니다. 내부 플랜지(20)의 정확한 쪽이 바깥쪽을 향하고 톱날과 일치하는지 확인하십시오.
- 톱날(5)을 내부 플랜지(20)에 두어, 날의 화살표가 공구의 화살표와 같은 방향을 가리키고 있는지 확인하십시오.
- 날의 반대 쪽을 향하고 있는 가장자리를 베벨한 상태에서 외부 와서(10)를 축에 맞춥니다.
- 날 고정 나사(11)를 축의 구멍에 끼웁니다.
- 스페너 렌치를 외부 와서(10)의 구멍에 끼워 축 회전을 방지합니다.
- 날 고정 나사를 조이려면 스페너 렌치를 잡고 육각 렌치를 시계 방향으로 돌려 날 고정 나사를 확실하게 조입니다.

⚠ 경고! “19” 및 “20” 으로 각각 표시된 내부 플랜지(20)는 추축이 19mm 또는 20mm 그리고 직경 톱날(5)과 일치하도록 하십시오.

날 분리

- 축 회전을 방지하려면 스페너 렌치(8)의 돌출한 부분이 외부 와서(10)의 구멍에 맞물리게 합니다.
- 육각 렌치(15)를 사용하여 날 고정 나사(11)를 시계 반대 방향으로 돌려 풀어 분리합니다.
- 외부 와서(10)를 분리합니다.
- 톱날(5)을 분리합니다.

⚠ 경고! 심각한 부상의 위험을 줄이려면, 공구를 사용하기 전에 모든 중요한 안전 경고와 지시 사항을 읽어 숙지하고 따르십시오.

일반 절삭

반동 방지 가이드

공구의 플러그를 뺀 상태에서 모든 조립, 조정 및 설치 지시를 따르십시오. 하부 가이드가 작동하는지 확인하십시오. 절삭할 재료에 맞는 적절한 날을 선택합니다.

- 절삭할 작업물을 측정해 표시합니다.
- 작업물을 적절하게 지지하고 고정합니다(안전 규칙 및 지시 사항 참고).
- 적절한 필수 안전 장비를 사용하십시오(안전 규칙 참고).
- 작업 영역을 안전하게 유지하십시오(안전 규칙 참고).
- 플러그를 끼우고 가이드를 닫은 상태에서 스위처로 톱이 켜지고 꺼지는지 확인하십시오.

⚠ 경고! 제어력을 잃어 부상을 초래하지 않도록 작업물을 적절하게 지지하고 톱을 꽉 잡으십시오. 권장하는 손의 위치는 그림 C와 같습니다.

작동

스위치

- 공구를 작동시키려면 트리거 스위치(1)를 누릅니다. 트리거를 누르고 있는 한 공구가 계속 작동합니다.
- 공구를 끄려면 트리거 스위치(1)를 놓습니다. 공구를 잠그는 방법은 존재하지 않고, 다른 수단으로 스위처를 잠궈서는 안 됩니다.

톱질

⚠ 경고! 심각한 신체 부상의 위험을 줄이려면, 공구는 항상 두 손으로 드십시오.

- 절삭을 시작하기 전에 몇 초 동안 날을 자유롭게 돌리십시오.
- 절삭할 때는 공구에 적당한 압력만 가하십시오.
- 작업물 쪽으로 슈를 누른 상태에서 작업하십시오.

최적의 사용법

- 작업물의 상부 쪽에서 절단 선을 따라 갈라지면 갈라지는 쪽을 자르십시오.
- 래미네이트를 절삭할 때 등 뒤를림을 최소화해야 할 경우 합판 조각을 작업물 상단에 짐쇠로 고정합니다.

포켓 절삭(그림 K)

포켓 절삭은 측면의 절삭 없이 재료의 조각에서 구멍을 절삭할 때 사용됩니다.

- 작업물을 측정해 표시합니다.
- 톱을 앞쪽으로 기울여 절단할 재료의 슈 앞에 놓습니다. 그림 K에서와 같이 절삭이 그려진 직사각형 뒤쪽에서 시작되도록 맞춥니다.
- 철회 레버를 사용하여 날 가이드를 위쪽 위치로 집어 넣고, 날이 재료를 청소하는 상태에서 모터를 움직이고 점차적으로 톱을 재료 속으로 내립니다.

⚠ 경고! 날이 재료 절삭을 시작하면, 즉시 철회 레버를 놓으십시오.

- 올린 위치에서 날 가이드를 유지 마십시오.

- 슈가 절삭하고 있는 재료와 수평을 이룰 때 위쪽 방향으로 절삭을 완료합니다.
- 재료에서 톱을 들어 올리기 전에 날이 완전히 정지하도록 합니다.
- 모든 새 절삭을 시작할 때 위의 단계를 반복하십시오.

렌치 보관(그림 L)

스퍼너 렌치(8)는 그림 L과 같이 톱 슈에 보관할 수 있습니다.

립 펜스 장착 및 분리(그림 M)

립 펜스는 작업물의 가장자리와 직선 평행으로 톱질할 때 사용됩니다.

장착

- 잠금 노브(17)를 풀니다.
- 톱(19)으로 립 펜스(18)를 끼웁니다.
- 원하는 위치로 립 펜스를 밀어 넣습니다.
- 잠금 노브를 조입니다.

분리

- 잠금 노브를 풀니다.
- 공구에서 립 펜스를 빼냅니다. 참고: 적절한 부품 펜스가 없을 경우, 슈의 가장자리와 접촉하고 있는 반듯한 가장자리 가이드를 사용하여 절삭의 정확도를 높이고 바인딩 및 반동의 가능성을 줄입니다.

액세서리

전동 공구의 성능은 사용한 액세서리에 따라 결정됩니다. 스탠리 & Piranha 액세서리는 높은 품질 기준을 만족하도록 제조되었으며, 전동 공구의 성능을 향상시키도록 설계되었습니다. 이러한 액세서리를 사용함으로써 공구의 기능을 최대한 활용할 수 있습니다.

⚠ 경고! 본 공구와 함께 사용하도록 권장되지 않는 다른 액세서리를 사용할 경우 위험할 수 있습니다. 주축이 19mm 또는 20mm 그리고 직경 185mm 날만 사용하십시오. **연마 휠을 사용하지 마십시오**

유지 보수

이 공구는 최소한의 유지 보수로 장기간에 걸쳐 작업이 가능하도록 설계되어 있습니다. 연속 작동은 적절한 공구 관리와 정기적인 청소로 따라 그 성능이 달라질 수 있습니다.

⚠ 경고! 유지 보수를 수행하기 전에 전원을 끄고 공구의 플러그를 뽑으십시오.

- 부드러운 브러시와 마른 헝겊으로 공구의 환기 슬롯을 주기적으로 청소하십시오.
- 젖은 헝겊으로 모터 하우징을 주기적으로 청소하십시오. 연마재 및 유성 클리너를 사용하지 마십시오.

⚠ 중요! 제품 안전과 신뢰성을 보장하기 위해 수리, 유지 보수 및 조정 작업(본 사용 설명서에서 다루지 않은 작업)

은 공인 서비스 센터 또는 자격을 갖춘 서비스 직원이 항상 동일한 교체 부품을 사용하여 수행해야 합니다.

유회방법

스탠리 전동 공구는 적절히 유회 처리되어 출고되기 때문에 구입 즉시 사용이 가능합니다.

환경 보호



분리 수거. 본 제품을 일반 가정용 쓰레기로 처리하면 안됩니다.

스탠리 제품을 교체해야 하거나 더 이상 쓸모가 없어졌다고 판단될 때는 본 제품을 가정용 쓰레기와 함께 처리하지 마십시오. 이 제품은 분리 수거하십시오.



사용하던 제품과 포장물 분리 수거하면 자원을 재활용 및 재사용할 수 있습니다. 재활용 자원을 이용하면 환경 오염이 방지되고 고철 자원에 대한 수요를 줄일 수 있습니다.

지역에 따라 가정용 가전제품을 분리 수거하는 규정이 마련되어 있거나 새로운 제품을 구입할 때 판매점에서 폐기 방법을 알려줄 수 있습니다.

STEL311

Gergaji Bundar 1510W

DATA TEKNIS

SPEKIFIKASI	STEL311	
VOLTASE	V	220-240
DAYA	W	1510
KECEPATAN TANPA BEBAN	/min	5500
DIAMETER MAKSIMUM	mm	185
KEDALAMAN PEMOTONGAN MAKSIMAL	mm	62

TUJUAN PENGGUNAAN

Gergaji Stanley Anda dirancang untuk menggergaji kayu dan produk kayu.

ATURAN KESELAMATAN UMUM

Peringatan! Baca dan pahami seluruh petunjuk.

Kegagalan mengikuti seluruh instruksi yang tercantum di bawah ini dapat mengakibatkan sengatan listrik, kebakaran, dan/atau cedera berat.

SIMPAN PETUNJUK-PETUNJUK INI



PETUNJUK KESELAMATAN

Peringatan keselamatan perkakas listrik umum.

Peringatan! Baca seluruh peringatan

keselamatan dan seluruh petunjuk. Kegagalan mengikuti peringatan dan petunjuk yang tercantum di bawah ini dapat mengakibatkan sengatan listrik, kebakaran, dan/atau cedera berat.

Simpan semua peringatan dan petunjuk untuk pedoman di masa depan.

Istilah "perkakas listrik" dalam seluruh peringatan yang tercantum di bawah ini merujuk pada perkakas listrik induk (berkabel) atau perkakas listrik baterai (tanpa kabel) Anda.

1. Area Kerja

- Jaga agar area kerja bersih dan mendapat cukup cahaya.** Area yang berantakan atau gelap mengandung kecelakaan.
- Janganoperasikan alat listrik di lingkungan yang dapat meledak, misalnya jika terdapat cairan, gas, atau debu yang mudah terbakar.** Perkakas listrik ini menimbulkan percikan api yang dapat membakar debu atau uap.
- Jauhkan anak-anak dan orang yang ada di sekitar saat mengoperasikan perkakas listrik.** Gangguan dapat menyebabkan Anda kehilangan kendali.

2. Keselamatan Kerja Kelistrikan

- Steker perkakas listrik harus sesuai dengan soketnya.** Jangan pernah memodifikasi steker

dengan cara apa pun. Jangan gunakan steker adaptor apapun dengan perkakas listrik yang dibumikan (ground). Steker yang tidak dimodifikasi dan stop kontak yang sesuai akan mengurangi risiko sengatan listrik.

- Hindari kontak badan dengan permukaan yang dibumikan (grounded), seperti pipa, radiator, kompor, dan kulkas.** Risiko sengatan listrik dapat bertambah jika tubuh Anda mengenai permukaan yang dibumikan (grounded).
 - Jangan sampai perkakas listrik ini terkena hujan atau terpapar ke kondisi yang basah.** Air yang masuk ke perkakas listrik akan meningkatkan risiko sengatan listrik.
 - Jangan menyalahgunakan kabel.** Jangan sekali-kali menggunakan kabel untuk membawa, menarik, atau mencabut perkakas listrik. Jauhkan kabel dari panas, minyak, tepi tajam, atau komponen yang bergerak. Kabel rusak atau terbelit meningkatkan risiko sengatan listrik.
 - Bila mengoperasikan perkakas listrik di luar ruangan, gunakan kabel sambungan yang sesuai untuk penggunaan di luar ruangan.** Menggunakan kabel yang sesuai untuk penggunaan di luar ruangan akan mengurangi risiko sengatan listrik.
 - Jika penggunaan perkakas listrik di lokasi yg lembab tidak dapat dihindari, gunakan suplai pelindung arus listrik residual (RCD).** Penggunaan RCD mengurangi risiko sengatan listrik.
- #### 3. Keselamatan diri
- Tetap waspada, perhatikan apa yang Anda kerjakan dan gunakan akal sehat ketika mengoperasikan perkakas listrik.** Jangan mengoperasikan perkakas listrik bila Anda sedang lelah, atau berada di bawah pengaruh obat, alkohol, atau pengobatan. Kelengahan sesaat saja ketika mengoperasikan perkakas listrik dapat menyebabkan cedera diri yang parah.
 - Gunakan peralatan pelindung diri. Selalu kenakan alat pelindung mata.** Peralatan pelindung, seperti masker debu, sepatu keselamatan anti-selip, topi keras, atau pelindung telinga yang digunakan untuk kondisi yang sesuai akan menghindarkan cedera diri.
 - Hindarkan menyalakan perkakas tanpa disengaja.** Pastikan bahwa saklar sudah dalam posisi mati sebelum menghubungkannya ke sumber listrik dan/atau kemasan baterai, mengambil, atau membawa perkakas. Membawa perkakas listrik dengan jari Anda pada saklar atau menghidupkan perkakas listrik yang saklarnya masih menyala akan mengandung kecelakaan.
 - Lepas kunci penyesuaian sebelum menghidupkan alat listrik.** Kunci pas atau kunci yang dibiarkan terpasang pada komponen perkakas listrik yang berputar dapat menyebabkan cedera diri.
 - Jangan melampaui batas. Selalu jaga pijakan dan keseimbangan yang baik.** Hal ini memungkinkan Anda

untuk mengendalikan perkakas listrik dengan lebih baik dalam situasi yang tidak terduga.

- f. **Kenakan pakaian yang sesuai.** Jangan mengenakan pakaian longgar atau perhiasan. Jauhkan rambut, pakaian, dan sarung tangan dari komponen yang bergerak. Pakaian yang longgar, perhiasan atau rambut panjang dapat terperangkap dalam komponen yang bergerak.
 - g. **Jika disediakan perangkat untuk sambungan fasilitas pengeluaran dan pengumpulan debu, pastikan perangkat ini dihubungkan dan digunakan dengan sesuai.** Menggunakan perangkat ini dapat mengurangi bahaya terkait debu.
4. **Penggunaan dan pemeliharaan perkakas listrik**
 - a. **Jangan menggunakan perkakas listrik dengan paksa.** Gunakan perkakas listrik yang benar untuk aplikasi Anda. Perkakas listrik yang tepat akan bekerja lebih baik dan aman pada tingkat kelajuan yang telah dirancang untuk perkakas itu.
 - b. **Jangan gunakan alat listrik jika tidak dapat dihidupkan dan dimatikan dengan tombol.** Perkakas listrik apa pun yang tidak dapat dikendalikan dengan tombol adalah berbahaya dan harus diperbaiki.
 - c. **Lepaskan stop kontak dari sumber listrik dan/ atau kemas baterai dari perkakas listrik sebelum melakukan penyetulan apa pun, mengganti aksesoris, atau menyimpan perkakas listrik.** Tindakan pencegahan demi keselamatan tersebut mengurangi risiko menjalankan perkakas listrik secara tak sengaja.
 - d. **Simpan alat listrik yang tidak digunakan jauh dari jangkauan anak-anak dan jangan bolehkan orang yang tidak memahami alat listrik atau petunjuk ini mengoperasikan alat listrik.** Perkakas listrik bisa berbahaya bila digunakan oleh pengguna yang tidak terlatih.
 - e. **Rawat perkakas listrik.** Lakukan pemeriksaan untuk mengetahui apakah ada komponen bergerak yang tidak sejajar atau bengkok, komponen yang patah, dan kondisi lainnya yang dapat mempengaruhi pengoperasian perkakas listrik. Jika rusak, perbaiki dahulu perkakas listrik sebelum digunakan. Banyak terjadi kecelakaan akibat perkakas listrik yang tidak dirawat baik.
 - f. **Jaga agar alat pemotong tetap tajam dan bersih.** Alat pemotong yang dirawat baik dengan tepi pemotongan yang tajam akan lebih mudah dikendalikan dan kecil kemungkinannya untuk terjepit.
 - g. **Gunakan alat listrik, aksesoris, kepala alat, dsb. sesuai petunjuk ini, dengan memperhatikan kondisi kerja dan tugas yang akan dilakukan.** Penggunaan alat listrik selain tujuan penggunaan dapat menimbulkan kondisi berbahaya.
 5. **Servis**
 - a. **Pastikan perkakas listrik Anda diservis oleh teknisi yang mahir dan hanya menggunakan komponen pengganti yang persis sama.** Ini akan menjamin

keselamatan perkakas terpelihara.

6. Keselamatan Kerja Kelistrikan



Perkakas listrik ini berisolasi ganda; oleh sebab itu tidak perlu kabel arde (ground). Selalu periksa apakah voltase induk sesuai dengan tegangan yang tercantum pada papan tarif (rating plate).



Peringatan! Jika kabel suplai rusak, harus diganti oleh pabrik, Pusat Layanan Stanley resmi, atau pihak lain yang memenuhi syarat, untuk menghindari kerusakan atau cedera. Jika kabel suplai diganti oleh pihak lain yang memenuhi syarat, namun di luar perizinan Stanley, maka garansi tidak berlaku.

7. Label pada perkakas

Label pada perkakas Anda dapat memuat simbol-simbol berikut ini

VTegangan

AAmpere

HzHertz

WWatt

minmenit

~Arus Bolak-balik

—Arus Langsung

n_0 Kecepatan Tanpa Beban

☐Konstruksi Kelas II

⊕Terminal Arde

⚠Simbol Waspada Keselamatan

.../min.....Putaran atau Putaran Balik per menit

📖Baca Buku Petunjuk

- Untuk alat yang digunakan untuk memotong kayu, petunjuk penggunaan sistem pengumpulan debu yang benar.
- Untuk alat yang digunakan untuk memotong kayu, petunjuk untuk memakai masker debu.
- Petunjuk untuk hanya menggunakan pisau gergaji yang direkomendasikan.
- Petunjuk untuk selalu memakai pelindung telinga.

PETUNJUK KESELAMATAN UNTUK SEMUA PROSEDUR PEMOTONGAN DENGAN GERGAJI

- a. **⚠ BAHAYA! Jauhkan tangan dari area pemotongan dan pisau.** Gunakan tangan Anda yang lain untuk memegang pegangan tambahan, atau wadah mesin. Jika kedua tangan digunakan untuk memegang gergaji, maka tidak akan terpotong oleh pisau.
- b. **Jangan memegang bagian bawah material kerja.** Pelindung tidak dapat melindungi Anda dari pisau gergaji pada sisi bawah material kerja.
- c. **Sesuaikan kedalaman pemotongan dengan ketebalan material kerja.** Kurang dari gerigi penuh dari gerigi pisau harus terlihat pada sisi bawah material kerja.

- d. **Jangan pernah memegang material kerja yang dipotong menggunakan tangan dan menahannya dengan kaki Anda.** Amankan material kerja pada landasan yang stabil. Menyangga material kerja dengan benar itu penting, untuk meminimalkan paparan tubuh, macetnya pisau, atau hilangnya kendali.
- e. **Pegang perkakas listrik pada permukaan pegangan berpenyekat pada saat menjalankan operasi di mana pisau pemotong dapat bersentuhan dengan kabel listrik tersembunyi atau kabelnya sendiri.** Kontak dengan kabel bertegangan listrik akan mengalirkan arus listrik pada komponen logam perkakas listrik dan mengakibatkan sengatan listrik kepada pengguna.
- f. **Pada saat menyobek, selalu gunakan pembatas sobekan atau panduan berujung lurus.** Ini mempertahankan ketepatan potongan dan mengurangi kemungkinan macetnya pisau.
- g. **Selalu gunakan pisau dengan ukuran dan bentuk lubang punjung yang benar (wajik vs. bundar).** Pisau yang tidak sesuai dengan peranti pemasangan gergaji akan bergerak tak teratur, mengakibatkan hilangnya kendali.
- h. **Jangan pernah gunakan cincin penutup pisau atau baut yang rusak atau tidak sesuai.** Cincin penutup pisau dan baut dirancang khusus bagi gergaji Anda, demi kinerja optimal dan keselamatan operasi.

PETUNJUK KESELAMATAN LANJUT UNTUK SEMUA GERGAJI

Penyebab dan pencegahan reaksi balik bagi pengguna:

- Reaksi balik adalah reaksi mendadak terhadap pisau gergaji yang terjepit, macet, atau bengkok, sehingga menyebabkan gergaji tak terkendali, terangkat dan terpental keluar dari material kerja ke arah pengguna;
 - Bila pisau terjepit atau terhimpit erat dalam celah potongan ke bawah, pisau akan melambat dan reaksi motor mendorong perkakas terpental dengan cepat ke arah pengguna;
 - Jika pisau menjadi terpilin atau bengkok dalam potongan, gerigi di ujung belakang pisau dapat berputar ke permukaan atas kayu, mengakibatkan pisau bergerak keluar dari celah potongan dan terpental ke arah pengguna.
 - Reaksi balik merupakan akibat prosedur pengoperasian atau kondisi gergaji yang tersalahgunakan dan/atau tidak tepat, dan dapat dihindari dengan cara mengambil langkah-langkah pencegahan seperti yang dijelaskan di bawah ini.
- a. **Pertahankan genggamannya erat dengan kedua tangan pada gergaji dan posisikan kedua lengan Anda untuk menahan daya reaksi balik.** Posisikan tubuh Anda pada salah satu sisi pisau gergaji, namun tidak segaris dengan pisau. Reaksi balik dapat mengakibatkan gergaji terpental ke belakang, namun daya reaksi balik dapat dikendalikan oleh pengguna, jika

langkah-langkah pencegahan yang benar diterapkan. CATATAN: Bagi gergaji bundar dengan pisau berdiameter 185 mm atau kurang, kata-kata "dengan kedua tangan" dapat diabaikan.

- b. **Saat pisau gergaji terhimpit, atau bila pemotongan harus dihentikan untuk alasan apa pun, lepaskan pemacu dan tahan gergaji tanpa bergerak di dalam material kerja sampai pisau berhenti total.** Jangan pernah berusaha melepaskan gergaji dari material kerja atau menarik gergaji ke belakang selagi pisau masih bergerak, jika tidak, reaksi balik dapat terjadi. Periksa dan ambil tindakan pembetulan untuk mengatasi penyebab terhimpitnya pisau gergaji.
- c. **Saat menyalakan ulang gergaji dalam material kerja, posisikan pisau gergaji di tengah-tengah potongan dan periksa jangan sampai gerigi gergaji terjepit dalam material kerja.** Jika pisau gergaji terjepit, pisau dapat berputar naik atau terpental dari material kerja selagi gergaji dinyalakan kembali.
- d. **Sangga balok besar untuk meminimalkan risiko terjepitnya pisau dan REAKSI BALIK.** Balok besar cenderung melorot karena beban bobotnya sendiri. Penyangga harus diletakkan di bawah balok pada kedua sisi, dekat garis pemotongan dan dekat ujung balok.
- e. **Jangan gunakan pisau yang tumpul atau rusak.** Pisau yang tidak diasah atau tidak dipasang dengan benar akan menghasilkan pemotongan yang sempit, mengakibatkan gesekan berlebihan, terjepitnya pisau, dan reaksi balik.
- f. **Kedalaman pisau gergaji dan pengungkit pengunci setelan siku-siku putar harus ketat dan aman sebelum memulai pemotongan.** Setelan pisau bergeser saat melakukan pemotongan, dapat mengakibatkan terjepitnya pisau dan reaksi balik.
- g. **Anda harus ekstra waspada pada saat membuat "potongan masuk" ke dinding atau area-area lain yang tak terlihat.** Pisau gergaji bisa memotong benda yang dapat mengakibatkan reaksi balik.

PETUNJUK KESELAMATAN UNTUK FUNGSI PELINDUNG BAWAH GERGAJI BUNDAR

- a. **Sebelum penggunaan, pastikan pelindung bawah sudah tertutup rapat sebelumnya.** Jangan operasikan gergaji jika pelindung bawah tidak dapat bergerak bebas dan langsung menutup. **Jangan pernah menjepit atau mengikat pelindung bawah ke posisi terbuka.** Jika gergaji jatuh secara tak sengaja, pelindung bawah dapat bengkok. Angkat pelindung bawah dengan gagang tarik dan pastikan pelindung bawah dapat bergerak bebas dan tidak menyentuh pisau gergaji atau komponen lain dari segala sudut dan kedalaman pemotongan.
- b. **Periksa operasi dan kondisi pegas pelindung bawah. Jika pelindung dan pegas tidak bekerja dengan benar, servisikan sebelum digunakan.** Pelindung bawah dapat bekerja dengan lambat jika

komponennya rusak, atau karena ada endapan lengket atau timbunan serpihan.

- c. **Pelindung bawah hanya boleh dicabut secara manual untuk pemotongan-pemotongan khusus, seperti “potongan masuk” dan “potongan rumit.” Angkat pelindung bawah dengan gagang tarik dan segera setelah pisau masuk ke material, pelindung bawah harus dilepaskan.** Untuk jenis-jenis penggergajian lain, pelindung bawah harus beroperasi otomatis.
- d. **Selalu perhatikan bahwa pelindung bawah sudah menutup pisau gergaji sebelum Anda meletakkan gergaji pada bangku atau lantai.** Pisau gergaji yang meluncur tanpa terlindung akan mengakibatkan gergaji bergerak mundur, dan memotong apa pun yang dilewatinya. Sadari bahwa pisau gergaji butuh waktu untuk berhenti total setelah saklar dilepas.

PETUNJUK KESELAMATAN UNTUK GERGAJI BUNDA

- a. **Sebelum penggunaan, pastikan pelindung sudah tertutup rapat sebelumnya. Jangan operasikan gergaji jika pelindung tidak dapat bergerak bebas dan langsung menutupi pisau.** Jangan pernah menjepit atau mengikat pelindung dengan pisau terbuka. Jika gergaji jatuh secara tidak sengaja, pelindung dapat bengkok. Periksa untuk memastikan pelindung dapat bergerak bebas dan tidak menyentuh pisau gergaji atau komponen lain dari segala sudut dan kedalaman pemotongan.
- b. **Periksa operasi dan kondisi pegas balik pelindung. Jika pelindung dan pegas tidak bekerja dengan benar, servisikan sebelum digunakan.** Pelindung dapat bekerja dengan lambat jika komponennya rusak, atau karena ada endapan lengket dan timbunan serpihan.
- c. **Pastikan pelat panduan dari gergaji tidak akan bergeser saat melakukan “potongan masuk” ketika pengaturan siku-siku putar pisau tidak pada 90°.** Pisau yang bergeser ke samping akan menyebabkan bengkok dan kemungkinan reaksi balik.
- d. **Selalu perhatikan bahwa pelindung sudah menutup pisau gergaji sebelum Anda meletakkan gergaji pada bangku atau lantai.** Pisau gergaji yang meluncur tanpa terlindung akan mengakibatkan gergaji bergerak mundur, dan memotong apa pun yang dilewatinya. Sadari bahwa pisau gergaji butuh waktu untuk berhenti total setelah saklar dilepas.

PANDUAN/PENJELASAN KESELAMATAN

Penting bagi Anda untuk membaca dan memahami buku petunjuk ini. Informasi yang terkandung di dalamnya berhubungan dengan perlindungan atas **Keselamatan Anda dan Pencegahan Masalah**. Simbol-simbol di bawah ini digunakan untuk membantu Anda memahami informasi ini.

⚠ Bahaya! Mengindikasikan situasi berbahaya yang tak terelakkan, yang jika tidak dihindari, akan mengakibatkan kematian atau cedera berat.

⚠ Peringatan! Mengindikasikan situasi berbahaya yang berpotensi terjadi, yang jika tidak dihindari, dapat mengakibatkan kematian atau cedera berat.

⚠ Peringatan! Mengindikasikan situasi berbahaya yang berpotensi terjadi, yang jika tidak dihindari, dapat mengakibatkan cedera ringan atau sedang.

⚠ Peringatan! Jika digunakan tanpa simbol waspada keselamatan, mengindikasikan situasi berbahaya yang berpotensi terjadi, yang jika tidak dihindari, dapat mengakibatkan kerusakan barang.

ATURAN KESELAMATAN TAMBAHAN UNTUK GERGAJI BUNDA

⚠ Peringatan! Penggunaan perkakas ini dapat menimbulkan dan/atau mengeluarkan debu, yang dapat mengakibatkan gangguan pernafasan serius dan permanen, atau cedera lain. Selalu gunakan pelindung pernafasan yang sudah lulus uji NIOSH/OSHA untuk mengatasi paparan terhadap debu. Arahkan serpihan menjauh dari wajah dan tubuh.

⚠ Peringatan! Gunakan pelindung pendengaran yang sesuai selama menjalankan perkakas. Dalam kondisi dan durasi pemakaian tertentu, kebisingan yang ditimbulkan produk ini dapat mengakibatkan ketulian.

- **Tersobeknya pelindung bawah pada permukaan di bawah material kerja yang sedang digergaji dapat mengurangi kendali pengguna pada saat tersebut.** Gergaji dapat terangkat sebagian dari celah pemotongan, meningkatkan peluang terpeleminya pisau. Pastikan ketersediaan ruang kosong yang cukup di bawah material kerja.
- **Seandainya pelindung bawah perlu diangkat secara manual, gunakan pengungkit ritak.**
- **Jaga agar pisau gergaji tetap bersih dan tajam.** Pisau yang tajam meminimalkan risiko kemacetan dan reaksi balik. Penggunaan pisau yang tumpul dan/atau kotor dapat meningkatkan beban gergaji, mengakibatkan penggunaan harus menekan lebih keras, sehingga pisau gergaji bisa bengkok.
- **⚠ Peringatan! Bahaya Cedera. Jauhkan kedua tangan dari area pemotongan.** Jauhkan kedua tangan dari pisau gergaji. Jangan pernah meletakkan tangan di depan atau di belakang jalur pisau gergaji saat melakukan pemotongan. Jangan mengulurkan tangan ke sebelah bawah material kerja saat pisau sedang berputar. Jangan berusaha memindahkan material kerja yang sudah dipotong pada saat pisau masih bergerak.
- **Sangga balok besar.** Balok besar harus disangga seperti pada gambar yang ditunjukkan (Gambar A) dalam buku petunjuk ini untuk menekan risiko terpeleminya pisau dan terjadinya reaksi balik. Material

kerja yang hanya disangga pada ujung-ujungnya (Gambar B) akan mengakibatkan terjepitnya pisau. Apabila operasi pemotongan mengharuskan gergaji disandarkan pada material kerja, maka gergaji harus disandarkan pada bagian material kerja yang lebih besar, sedangkan bagian yang lebih kecil dibuang.

- **Hanya gunakan pisau gergaji dan komponen perakitan pisau yang benar pada saat memasang pisau.** Jangan gunakan pisau gergaji dengan lubang ukuran yang tidak sesuai. Jangan pernah gunakan cincin penutup pisau atau baut yang rusak atau tidak tepat. Ikuti prosedur perakitan pisau.
- **Penyesuaian. Sebelum mulai memotong, pastikan bahwa penyesuaian kedalaman dan siku-siku putar sudah kencang.**
- **Sangga dan amankan material kerja dengan benar.** Pastikan bahwa material yang akan dipotong sudah dijepit (Gambar C) dan ditopang dengan mantap serta seimbang pada permukaan kerja yang kokoh, stabil, dan datar. Sangga material kerja sehingga bagian lebar dari bantalan gergaji berada pada bagian material kerja yang tidak akan terjatuh setelah dilakukan pemotongan. Jangan pernah memegang material kerja yang dipotong menggunakan tangan (Gambar D). Ini dapat menimbulkan REAKSI BALIK karena terjepitnya pisau. Selalu gunakan kedua tangan untuk memegang gergaji tiap waktu.
- **Tetap waspada dan jaga kendali. Jaga posisi tubuh agar tetap berada pada salah satu sisi pisau gergaji.** Selalu pertahankan pegangan yang erat dan kendalikan gergaji dengan kedua tangan. Jangan mengganti pegangan tangan atau posisi tubuh selagi gergaji masih bekerja. Ambil langkah pencegahan untuk menghindarkan cedera dari potongan material kerja dan material lain yang jatuh selama pengoperasian.

⚠ Bahaya! Segera lepaskan saklar jika pisau terjepit atau gergaji macet.

FITUR-FITUR (Gambar E)

1. Saklar On/Off
2. Pegangan Utama
3. Pegangan Sekunder
4. Bantalan
5. Pisau Gergaji
6. Pelindung Pisau Gergaji
7. Pengungkit Tarik Pelindung Pisau Gergaji
8. Kunci Perentang Pisau Gergaji
9. Kenop Penyesuai Siku-siku Putar
10. Cincin Penutup Luar
11. Sekrup Penahan Pisau
Kunci Segi-Enam Pisau Gergaji (Ditunjukkan pada Gambar I (15))
Pembatas Sobekan (Ditunjukkan pada Gambar M (18))

Pinggiran Roda Dalam (Ditunjukkan pada Gambar J (20))

SETELAN PERAKITAN/PENYESUAIAN

⚠ Peringatan! Selalu cabut gergaji dari catu daya sebelum melakukan operasi-operasi di bawah ini.

Menyesuaikan kedalaman potongan (Gambar F dan G)

Kedalaman potongan harus diatur sesuai ketebalan material kerja.

- Longgarkan pengungkit (12) untuk melepaskan bantalan gergaji.
- Geser bantalan gergaji (4) ke posisi yang diinginkan. Kedalaman potongan yang sesuai dapat dilihat pada skala (13).
- Kencangkan pengungkit untuk mengunci bantalan gergaji pada tempatnya.
- Atur penyesuaian kedalaman gergaji sehingga satu gerigi pisau menyembul di bawah material kerja seperti ditunjukkan pada Gambar G.

Menyesuaikan sudut siku-siku putar (Gambar H)

Sudut siku-siku putar perkakas ini dapat diatur antara 0° dan 45°

- Longgarkan kenop pengunci (9) untuk melepaskan bantalan gergaji.
- Geser bantalan gergaji (4) ke posisi yang diinginkan. Sudut siku-siku putar yang sesuai dapat dilihat dari skala (14).
- Kencangkan kenop pengunci untuk mengunci bantalan gergaji pada tempatnya.

Memasang Pisau (Gambar I dan J)

- Untuk mencegah rotasi kumparan, hubungkan kepala kunci perentang (8) ke lubang-lubang pada cincin penutup luar (10) seperti ditunjukkan pada Gambar I.
- Longgarkan dan lepaskan sekrup penahan pisau (11) dengan cara memutar kunci segi-enam (15) berlawanan arah jarum jam.
- Lepaskan cincin penutup luar.
- Periksa dan rakit ulang piringan roda dalam (20) pada kumparan (16). Pastikan sisi yang benar dari piringan roda dalam (20) menghadap keluar dan sesuai dengan pisau gergaji.
- Tempatkan pisau gergaji (5) pada pinggiran roda dalam (20), pastikan bahwa tanda panah pada pisau searah dengan tanda panah pada perkakas.
- Pasang cincin penutup luar (10) pada kumparan, dengan ujung siku-siku putar mengarah bertolak belakang dengan pisau.
- Masukkan sekrup penahan pisau (11) ke dalam lubang kumparan.

- Cegah rotasi kumparan dengan cara memasukkan kunci perentang ke lubang cincin penutup luar.
- Kencangkan sekrup penahan pisau dengan aman, dengan cara menahan kunci perentang dan
⚠ Peringatan! Piringan roda dalam (20) yang masing-masing ditandai dengan "19" dan "20", sesuai dengan pisau gergaji (5) dengan punjung diameter 19 mm atau 20 mm.

Melepas Pisau

- Untuk mencegah rotasi kumparan, masukkan kepala kunci perentang (8) ke dalam lubang cincin penutup luar (10).
- Longgarkan dan lepas sekrup penahan pisau (11) dengan cara memutarnya berlawanan arah jarum jam menggunakan kunci segi-enam (15).
- Lepaskan cincin penutup luar (10).
- Lepaskan pisau gergaji (5).
⚠ Peringatan! Untuk menekan risiko cedera diri yang berat, baca, pahami, dan ikuti seluruh peringatan dan petunjuk penting keselamatan sebelum menggunakan perkakas.

PEMOTONGAN UMUM

Melindungi Diri dari Reaksi Balik

Ikuti seluruh petunjuk perakitan, penyesuaian, dan penyetulan, dengan lebih dulu mencabut perkakas. Pastikan bahwa pelindung bawah bekerja baik.

Pilih pisau yang tepat bagi material kerja yang akan dipotong.

- Ukur dan tandai material kerja yang akan dipotong.
- Sangga dan amankan material kerja dengan benar (baca Aturan dan Petunjuk Keselamatan).
- Gunakan peralatan keselamatan yang tepat dan dibutuhkan (baca Aturan Keselamatan).
- Amankan dan jaga area kerja (baca Aturan Keselamatan).
- Sambungkan saklar dan tutup pelindung, pastikan bahwa saklar dapat menyalakan dan mematikan perkakas.
⚠ Peringatan! Penting bagi Anda untuk menopang material kerja dengan benar dan memegang gergaji dengan erat untuk menghindarkan lepasnya kendali, yang dapat mengakibatkan cedera diri. Gambar C menunjukkan posisi tangan yang disarankan.

OPERASI

Saklar

- Untuk menjalankan perkakas, tekan saklar pemicu (1). Perkakas akan terus bekerja selama saklar ditekan.
- Untuk mematikan perkakas, lepaskan saklar pemicu (1). Tidak tersedia fasilitas pengunci perkakas dalam kondisi menyala, dan saklar tidak boleh dikunci dengan cara apa pun.

Penggergajian

⚠ Peringatan! Untuk mengurangi risiko cedera diri yang berat, selalu pegang perkakas dengan kedua tangan.

- Biarkan pisau berputar bebas beberapa detik sebelum mulai memotong.
- Gunakan tekanan ringan pada perkakas pada saat melakukan pemotongan.
- Bekerjalah dengan bantalan gergaji ditekan pada material kerja.

MENGOPTIMALKAN PENGGUNAAN

- Berhubung penyerpihan sepanjang jalur pemotongan pada sisi atas material kerja tidak dapat dihindari, potong bagian-bagian yang dapat menyerpih.
- Apabila perlu meminimalkan penyerpihan, misalnya pada saat memotong pelapis, jepitkan sepotong tripleks pada sisi atas material kerja.

Potongan Mengantong (Gambar K)

Potongan mengantong digunakan untuk membuat lubang pada material kerja tanpa memotong langsung dari sisinya.

- Ukur dan tandai material kerja.
- Miringkan gergaji ke depan dan sandarkan bagian depan bantalan gergaji pada material kerja yang akan dipotong. Selaraskan agar pemotongan dimulai pada bagian belakang gambar segi-empat yang ditunjukkan pada Gambar K.
- Dengan menggunakan pengungkit tarik, tarik pelindung pisau ke posisi atas, dengan pisau terbuka ke arah material kerja, nyalakan motor dan perlahan-lahan turunkan gergaji memotong material kerja.
⚠ Peringatan! Segera setelah pisau mulai memotong material kerja, lepaskan pengungkit tarik secepatnya.
- Jangan pernah mengikat pelindung pisau dalam posisi terangkat.
- Pada saat bantalan gergaji tersandar mendatar pada material kerja yang sedang dipotong, selesaikan pemotongan dengan arah maju.
- Biarkan pisau berhenti total lebih dulu sebelum mengangkat gergaji dari material kerja.
- Ketika memulai pemotongan baru, ulangi langkah-langkah di atas.

Penyimpanan Kunci (Gambar L)

Kunci perentang (8) dapat disimpan pada bantalan gergaji seperti ditunjukkan pada Gambar L.

Memasang dan Melepas Pembatas Sobekan (Gambar M)

Pembatas sobekan digunakan untuk menggergaji dalam garis lurus yang sejajar dengan ujung material kerja.

Memasang

- Longgarkan kenop pengunci (17).
- Masukkan pembatas sobekan (18) melalui celah (19).
- Masukkan pembatas sobekan ke posisi yang diinginkan.
- Kencangkan kenop pengunci.

Melepas

- Longgarkan kenop pengunci.
 - Tarik pembatas sobekan lepas dari perkakas.
- Catatan: Jika Anda tidak memiliki pembatas sobekan yang sesuai, gunakan panduan berujung lurus yang dihubungkan dengan ujung bantalan gergaji untuk mempertegas ketepatan pemotongan dan mengurangi kemungkinan terjepitnya pisau dan reaksi balik.

Aksesoris

Kinerja perkakas Anda tergantung pada aksesoris yang digunakan. Aksesoris Stanley dan Piranha dibuat berdasarkan standar kualitas tinggi dan dirancang untuk menyempurnakan performa alat Anda. Dengan menggunakan aksesoris tersebut, Anda akan memaksimalkan penggunaan alat.

⚠ Peringatan! Penggunaan aksesoris apa pun yang tidak direkomendasikan untuk digunakan dengan perkakas ini dapat berbahaya. Gunakan hanya pisau gergaji 185 mm dengan punjung diameter 19 mm atau 20 mm.

Jangan menggunakan segala jenis roda abrasif.

PEMELIHARAAN

Perkakas listrik ini telah dirancang untuk penggunaan jangka panjang dengan pemeliharaan minimal. Pengoperasian yang memuaskan secara terus-menerus bergantung pada cara pemeliharaan yang layak dan pembersihan perkakas secara teratur.

⚠ Peringatan! Sebelum melakukan perawatan apa pun, matikan dan cabut perkakas dari stopkontak.

- Bersihkan celah-celah ventilasi pada perkakas Anda secara berkala menggunakan sikat lembut atau kain kering.
- Bersihkan kerangka motor secara teratur dengan menggunakan kain bersih yang lembap. Jangan gunakan bahan pembersih abrasif atau berbasis larutan apa pun.

⚠ Penting! Untuk memastikan Keselamatan dan Keandalan produk, reparasi, pemeliharaan, dan penyesuaian (di luar yang tercantum dalam buku petunjuk ini) harus dikerjakan oleh pusat layanan resmi atau pihak servis lain yang memenuhi syarat, dengan

selalu menggunakan komponen pengganti yang persis sama.

PELUMASAN

Perkakas Stanley sudah dilumasi dengan benar di pabrik dan siap digunakan.

MELINDUNGI LINGKUNGAN



Pengumpulan terpisah. Produk ini tidak boleh dibuang bersama limbah rumah tangga biasa.

Seandainya suatu hari Anda jumpai produk Stanley Anda butuh diganti, atau tidak lagi berguna bagi Anda, jangan buang bersama limbah rumah tangga. Pisahkan pengumpulan produk ini.



Pisahkan pengumpulan produk dan kemasan bekas agar bahan-bahannya dapat didaur ulang dan digunakan lagi. Penggunaan kembali bahan yang didaur ulang membantu mencegah pencemaran lingkungan dan mengurangi kebutuhan bahan baku.

Peraturan setempat mungkin mengatur pengumpulan terpisah produk elektronik dari limbah rumah tangga, di tempat pembuangan sampah kota atau di toko peritel saat Anda membeli produk baru.

STEL311**เลื่อยวงเดือน 1510W****ข้อมูลทางเทคนิค**

ข้อมูลจำเพาะ		STEL311
แรงดันไฟฟ้า	v	220-240
กำลังไฟเข้า	w	1510
ความเร็วขณะไม่มีภาระโหลด	/min	5500
เส้นผ่าศูนย์กลางสูงสุด	มม.	185
ความลึกของการตัดสูงสุด	มม.	62

วัตถุประสงค์ในการใช้งาน

เลื่อย Stanley ของคุณนั้นออกแบบมาเพื่อการตัดไม้และผลิตภัณฑ์จากไม้

กฎความปลอดภัยทั่วไป**คำเตือน! โปรดอ่านทำความเข้าใจข้อปฏิบัติทั้งหมด**

การไม่ปฏิบัติตามคำเตือนและข้อปฏิบัติเหล่านี้ อาจทำให้เกิดไฟฟ้าช็อต เกิดอัคคีภัย และ/หรือบาดเจ็บสาหัสได้

เก็บรักษาข้อปฏิบัตินี้ไว้

คำแนะนำด้านความปลอดภัย

คำเตือนด้านความปลอดภัยสำหรับการใช้เครื่องมือไฟฟ้าทั่วไป

คำเตือน! โปรดอ่านคำเตือนและคำแนะนำ

เพื่อความปลอดภัยทั้งหมด การไม่ปฏิบัติตามคำเตือนและคำแนะนำเหล่านี้ อาจทำให้ถูกไฟดูด เกิดเพลิงไหม้และ/หรือบาดเจ็บสาหัสได้

โปรดเก็บรักษาคำเตือนและคำแนะนำไว้เพื่อการอ้างอิงในอนาคต คำว่า "เครื่องมือไฟฟ้า" ในคำเตือนทั้งหมดที่แสดงไว้ข้างล่างหมายถึงเครื่องมือไฟฟ้า (แบบมีสาย) ที่ทำงานด้วยแหล่งจ่ายไฟหลัก หรือเครื่องมือไฟฟ้า (แบบไร้สาย) ที่ทำงานด้วยแบตเตอรี่

1. บริเวณที่ทำงาน

ก. พื้นที่ทำงานจะต้องสะอาดและมีแสงสว่างเพียงพอ บริเวณที่มีมืดและมีช่องว่างระเกะระกะทำให้เกิดอุบัติเหตุได้

ข. ห้ามใช้เครื่องมือไฟฟ้าในบริเวณที่อาจเกิดการระเบิด เช่น เมื่อมีของเหลว แก๊ส หรือ ฝุ่นละอองที่ไวไฟ เครื่องมือไฟฟ้าจะทำให้เกิดประกายไฟที่อาจทำให้เกิดละอองไฟหรือเปลวไฟขึ้นได้

ค. ระวังไม่ให้เด็กเล็กและคนเดินผ่านไปมาเข้าใกล้ในขณะที่ใช้งานเครื่องมือไฟฟ้า สิ่งรบกวนอาจทำให้คุณเสียสมาธิได้

2. ความปลอดภัยทางไฟฟ้า

ก. ปลั๊กไฟของเครื่องต้องเป็นชนิดเดียวกับเต้ารับ ห้ามดัดแปลงปลั๊กไม่ว่าจะด้วยวิธีใด ห้ามใช้ปลั๊กอะแดปเตอร์ใดๆ กับเครื่องมือไฟฟ้าที่ต่อสายดิน (ลงกราวด์) ปลั๊กที่ไม่มีการดัดแปลง และเต้ารับชนิดเดียวกันจะช่วยลดความเสี่ยงจากการถูกไฟดูด

ข. หลีกเลี่ยงการสัมผัสพื้นผิวที่ต่อสายดิน เช่น ท่อ เครื่องทำความร้อน เตาหุงต้ม และตู้เย็น มีความเสี่ยงเพิ่มขึ้นที่จะถูกไฟดูดหากร่างกายเป็นสื่อเชื่อมต่อลงดิน

ค. อย่าให้เครื่องมือไฟฟ้าถูกฝนหรือเปียกน้ำ น้ำที่เข้าเครื่องมือไฟฟ้าจะเพิ่มความเสี่ยงในการเกิดไฟฟ้าช็อต

ง. ห้ามใช้สายไฟผิดวัตถุประสงค์ ห้ามใช้สายไฟเพื่อหิ้ว ดึง หรือถอดปลั๊กเครื่องมือไฟฟ้า เก็บสายไฟให้พ้นจากความร้อน น้ำมัน ของมีคม หรือ ชิ้นส่วนที่ก้ำกัสนที่ สายไฟที่ชำรุดหรือพันกันเป็นการเพิ่มความเสี่ยงจากการถูกไฟดูด

จ. เมื่อใช้เครื่องมือไฟฟ้านอกอาคาร ให้ใช้สายต่อพ่วงที่เหมาะสมสำหรับการใช้งานนอกอาคาร ใช้สายไฟที่เหมาะสมสำหรับการใช้งานกลางแจ้งเพื่อลดความเสี่ยงในการถูกไฟดูด

ฉ. หากไม่สามารถหลีกเลี่ยงการใช้เครื่องมือไฟฟ้าในบริเวณที่ชื้นแฉะได้ ให้ใช้แหล่งจ่ายไฟที่มีการป้องกันด้วยอุปกรณ์ป้องกันไฟดูด (RCD) การใช้ RCD จะเป็นการลดความเสี่ยงจากการถูกไฟดูด

3. ความปลอดภัยส่วนบุคคล

ก. ตีตัวและมีสมาธิกับสิ่งที่กำลังทำ รวมทั้งใช้สามัญสำนึก ในขณะที่กำลังใช้งานเครื่องมือไฟฟ้า ห้ามใช้เครื่องมือไฟฟ้าในขณะที่คุณกำลังเหนื่อยล้าหรือได้รับอิทธิพลจากยา แอลกอฮอล์ หรือการรักษาบางอย่าง การขาดความระมัดระวังในการใช้เครื่องมือไฟฟ้าแม้ชั่วขณะหนึ่งอาจทำให้บาดเจ็บสาหัสได้

ข. ใช้อุปกรณ์นิรภัยสวมอุปกรณ์ป้องกันดวงตาเสมอ การใช้อุปกรณ์นิรภัย เช่น หนานากากันฝุ่น รองเท้านิรภัยกันลื่น หมวกนิรภัย หรืออุปกรณ์ป้องกันเสียงดังซึ่งอยู่ในสภาพที่เหมาะสมจะช่วยลดอาการบาดเจ็บส่วนบุคคลได้

ค. ป้องกันเรื่องทำงานโดยไม่ตั้งใจ สวิตช์ต้องอยู่ในตำแหน่งปิดก่อนเชื่อมต่อกับแหล่งจ่ายไฟ และ/หรือชุดแบตเตอรี่หรือก่อนการยกหรือถือเครื่องมือ การยกเครื่องมือไฟฟ้าในขณะที่นิ้วอยู่ที่สวิตช์ หรือใช้เครื่องมือไฟฟ้าที่สวิตช์เปิดอยู่ อาจทำให้เกิดอุบัติเหตุได้

ง. ถอดกุญแจปรับแต่งหรือประแจออกก่อนเปิดสวิตช์เครื่องมือไฟฟ้า ประแจหรือกุญแจที่เสียบคาไว้กับชิ้นส่วนที่กำลังหมุนของเครื่องมือไฟฟ้าอาจทำให้ได้รับบาดเจ็บได้

จ. ห้ามยืนเหยงเท้าขณะใช้เครื่อง ขณะใช้เครื่องมือควรวินให้มั่นคงและมีความสมดุลตลอดเวลา เพื่อช่วยในการควบคุมเครื่องมือไฟฟ้าได้ดียิ่งขึ้นในสถานการณ์ที่ไม่คาดคิด

ฉ. แต่งกายให้เหมาะสม ห้ามสวมเสื้อผ้าหลวมหรือใส่เครื่องประดับ รวบผม ชายเสื้อ และถุงมือให้ห่างจากชิ้นส่วนที่กำลังหมุน เสื้อผ้าที่หลวมหรือยาวรุ่มร่าม เครื่องประดับ หรือผมที่ยาวอาจเข้าไปพันกับชิ้นส่วนที่กำลังหมุน

ข. หากมีอุปกรณ์สำหรับดูแลและเก็บฝุ่น ต้องตรวจสอบให้แน่ใจว่าได้เชื่อมต่อและใช้งานอุปกรณ์นั้นอย่างเหมาะสม การใช้อุปกรณ์เหล่านี้จะช่วยลดอันตรายที่เกี่ยวข้องกับฝุ่นได้

4. การใช้และการดูแลรักษาเครื่องมือไฟฟ้า

- ก. ห้ามฝนใช้เครื่องมือไฟฟ้า เลือกใช้เครื่องมือไฟฟ้าที่ถูกต้องตรงกับการใช้งานของคุณ เครื่องมือไฟฟ้าที่ถูกต้องย่อมทำงานได้ดีกว่าและปลอดภัยกว่าในอัตราที่เครื่องมือได้รับการออกแบบมา
- ข. ห้ามใช้เครื่องมือไฟฟ้าถ้าสวิตช์เปิดปิดเครื่องมือทำงาน เครื่องมือไฟฟ้าที่ไม่สามารถควบคุมผ่านสวิตช์ได้ ถือว่ามีอันตรายและต้องสงขม
- ค. ถอดปลั๊กของเครื่องมือไฟฟ้าออกจากแหล่งจ่ายไฟ และ/หรือชุดแบตเตอรี่ก่อนทำการปรับแต่ง เปลี่ยนอุปกรณ์เสริมหรือจัดเก็บเครื่องมือไฟฟ้า มาตรการเพื่อความปลอดภัยเชิงการป้องกันจะช่วยลดความเสี่ยงในการเปิดเครื่องให้ทำงานโดยไม่ได้ตั้งใจ
- ง. เก็บเครื่องมือไฟฟ้าที่ไม่ใช้งานไว้ให้พ้นมือเด็ก และไม่อนุญาตให้บุคคลที่ไม่คุ้นเคยกับเครื่องมือไฟฟ้าหรือคำแนะนำเหล่านี้เป็นผู้ใช้เครื่องมือ เครื่องมือไฟฟ้าจะเป็นอันตรายหากอยู่ในมือผู้ใช้ที่ไม่มีความชำนาญ
- จ. บำรุงรักษาเครื่องมือไฟฟ้า ตรวจสอบส่วนที่บิดเบี้ยวและการติดขัดในส่วนที่เคลื่อนที่ได้ ชิ้นส่วนที่แตกหักและสภาพอื่นๆ ที่อาจส่งผลกระทบต่อการทำงานของเครื่องมือไฟฟ้า หากชำรุดเสียหาย ให้นำเครื่องมือไปส่งซ่อมก่อนนำมาใช้ อุบัติเหตุจำนวนมากเกิดจากการดูแลรักษาเครื่องมือไฟฟ้าไม่ดีพอ
- ฉ. เครื่องมือตัดต้องคมและสะอาดอยู่เสมอ เครื่องมือตัดที่ผ่านการดูแลรักษาที่เหมาะสมและมีขอบสำหรับงานตัดที่คม จะไม่ค่อยเกิดปัญหาและควบคุมได้ง่าย
- ช. ใช้เครื่องมือไฟฟ้า อุปกรณ์เสริม และดอกสว่าน เป็นต้นตามคำแนะนำสำหรับสิ่งเหล่านี้ โดยพิจารณาถึงสภาพการทำงานและงานที่ทำเป็นสำคัญ การใช้เครื่องมือไฟฟ้าทำงานอื่นนอกเหนือจากที่กำหนดไว้อาจทำให้เกิดอันตรายได้

5. การบริการ

- ก. ช่างซ่อมที่มีความเชี่ยวชาญเป็นผู้ซ่อมเครื่องมือ และใช้อะไหล่ของแท้เท่านั้น ซึ่งจะช่วยรับประกันได้ว่าเครื่องมือไฟฟ้ายังมีความปลอดภัยอยู่

6. ความปลอดภัยทางไฟฟ้า



เครื่องมือนี้มีฉนวนสองชั้น ดังนั้นจึงไม่จำเป็นต้องต่อสายดิน ต้องตรวจสอบกำลังไฟเพื่อให้ตรงกับแรงดันไฟฟ้าบนแผ่นแสดงที่กีดเสมอ



คำเตือน! ถ้าสายไฟของตัวเครื่องชำรุดเสียหาย ต้องเปลี่ยนโดยผู้ผลิต ศูนย์บริการของ Stanley ที่ได้รับอนุญาต หรือบุคคลที่ผ่านการรับรองเพื่อหลีกเลี่ยงความเสี่ยงหรือการบาดเจ็บที่อาจเกิดขึ้นได้ หากผู้เปลี่ยนสายไฟของตัวเครื่องเป็นบุคคลที่ผ่านการรับรองแต่ไม่ใช่บุคคลผู้ได้รับอนุญาตจาก Stanley การรับประกันจะเป็นโมฆะ

7. ความปลอดภัยทางไฟฟ้า

- ป้ายบนเครื่องมือของท่านอาจมีสัญลักษณ์ต่อไปนี้
- Vโวลต์
Aแอมแปร์
Hzเฮิร์ตซ์
Wวัตต์
minนาที
~ไฟกระแสสลับ
=ไฟกระแสตรง
noความเร็วขณะไม่มีภาระโหลด
□โครงสร้างชั้น 2
⊕ขั้วดิน
⚠สัญลักษณ์เตือนความปลอดภัย
.../minรอบการหมุนหรือรอบการทำงานต่อนาที
Ⓜอำนาจคู่มือการใช้งาน

- สำหรับเครื่องมือสำหรับตัดไม้ โปรดอ่านคำแนะนำการใช้ระบบเก็บฝุ่นที่ถูกต้อง
- สำหรับเครื่องมือสำหรับตัดไม้ โปรดอ่านคำแนะนำให้สวมหน้ากากกันฝุ่น
- คำแนะนำให้ใช้เฉพาะใบเลื่อยที่แนะนำ
- คำแนะนำให้สวมอุปกรณ์ป้องกันเสียงดังเสมอ

คำแนะนำความปลอดภัยสำหรับทุกขั้นตอนการตัดด้วยเลื่อย

- ก) ⚠ **อันตราย:** ระวังมือที่โยยห่างจากบริเวณที่ตัดและใบมีด ใช้มืออีกข้างหนึ่งจับที่มีจับเสริมหรือตัวมอเตอร์ หากมือทั้งสองข้างจับอยู่ที่ตัวเลื่อยใบเลื่อยจะไม่สามารถถนัดมือได้
- ข) **ห้ามสอดมือเข้าไปใต้ชิ้นงาน** ตัวครอบป้องกันไม่สามารถป้องกันคุณจากใบเลื่อยที่บริเวณใต้ชิ้นงานได้
- ค) **ปรับความลึกในการตัดตามความหนาของชิ้นงาน** ฟันเลื่อยที่ทะลุพื้นออกมาให้เห็นใต้ชิ้นงานควรมีขนาดไม่เต็มซี่
- ง) **ห้ามจับชิ้นงานที่จะตัดด้วยมือหรือหนีบไว้ด้วยขาโดยเด็ดขาด** จับยึดชิ้นงานบนแท่นที่มั่นคง การรองรับชิ้นงานอย่างเหมาะสมเป็นสิ่งสำคัญต่อการลดความเสี่ยงต่อร่างกาย การติดขัดของใบมีด และการเสียการควบคุมให้น้อยที่สุด
- จ) **จับเครื่องมือไฟฟ้าที่พื้นผิวส่วนที่ใช้จับซึ่งมีฉนวนป้องกัน** เมื่อใช้งานเครื่องและอุปกรณ์เสริมที่ใช้กับงานตัดอาจสัมผัสกับสายไฟที่ซ่อนอยู่หรือสายไฟของตัวเครื่องเอง การสัมผัสถูกสายไฟ "ที่มีกระแสไฟฟ้า" จะทำให้ชิ้นส่วนโลหะของเครื่องมือที่ถูกสัมผัส "ได้รับกระแสไฟฟ้า" และทำให้ผู้ใช้ถูกไฟดูดได้
- ฉ) **ต้องจับแน่นถือความลึกใบเลื่อยและคันถือครบรับมือน้อย** และยึดให้แน่นก่อนเริ่มงานตัด ถ้าตัวรับใบเลื่อยเลื่อนระหว่างการตัด อาจทำให้เลื่อยติดขัดและดีดกลับได้

- ข) ใช้ใบเลื่อยที่มีขนาดและรูปทรงช่องติดตั้งที่ถูกต้องเสมอ (แบบข้าวหลามตัดหรือวงกลม) ใบเลื่อยที่ไม่เหมาะสมกับอุปกรณ์ติดตั้งของเลื่อยจะทำงานแหว่ง ทำให้เสียการควบคุมได้
- ฅ) ห้ามใช้แหวนรองและโบลท์ประกอบใบเลื่อยที่เสียหายหรือไม่ถูกต้องโดยเด็ดขาด แหวนรองและโบลท์ประกอบใบเลื่อยนั้นออกแบบมาสำหรับเลื่อยของคุณโดยเฉพาะ เพื่อให้มีประสิทธิภาพการทำงานและความปลอดภัยสูงสุด

คำแนะนำด้านความปลอดภัยเพิ่มเติมสำหรับเลื่อยทุกประเภท

- สาเหตุและการป้องกันผู้ใช้เครื่องจักรการตัดกลับ
 - การตัดกลับหมายถึงปฏิกิริยาระหว่างแบบฉบับพัฒนาจากใบเลื่อยที่ถูกหนีบ ตัด หรือผิวดิน ซึ่งทำให้เลื่อยที่เสียการควบคุมตัดตัวขึ้นหลุดออกจากชิ้นงานและกลับไปหาผู้ใช้เครื่อง
 - เมื่อใบเลื่อยถูกหนีบหรือติดแน่นในรอยเลื่อยที่บีบเข้า ใบเลื่อยจะค้างและปฏิกิริยาระหว่างมอเตอร์จะผล็องอุปกรณ์กลับไปหาผู้ใช้เครื่องอย่างรวดเร็ว
 - หากใบเลื่อยบิดหรือผิวดินระหว่างตัด ฟันเลื่อยที่ขอบด้านหลังของใบเลื่อยจะขบผิวด้านบนของไม้ ทำให้ใบเลื่อยบินขึ้น ฟันรอยตัดและติดกลับไปหาผู้ใช้เครื่อง
 - การตัดกลับเป็นผลมาจากการใช้งานเลื่อยอย่างไม่ถูกวิธี และ/หรือขั้นตอนหรือสภาวะการใช้งานที่ไม่ถูกต้อง และสามารถใช้หลักการป้องกันที่เหมาะสมที่ไว้ด้านล่างนี้
- ก) จับเลื่อยให้มั่นคงด้วยมือทั้งสองข้างและวางแขนให้อยู่ในตำแหน่งสำหรับต้านแรงติดกลับ ยืนที่ด้านใดด้านหนึ่งของใบเลื่อย แต่ห้ามยืนในแนวเดียวกับใบเลื่อย การติดกลับอาจทำให้เลื่อยวิ่งย้อนกลับ แต่ผู้ใช้เครื่องสามารถควบคุมแรงติดกลับได้หากดำเนินการป้องกันที่เหมาะสม หมายเหตุ ในกรณีของเลื่อยวงเดือนที่ใช้ใบเลื่อยเส้นผ่าศูนย์กลาง 185 มม. หรือต่ำกว่านี้ อาจละคำว่า “ด้วยมือทั้งสองข้าง” ได้
- ข) เมื่อใบเลื่อยติด หรือเมื่อจะหยุดการตัดกลางคันด้วยสาเหตุใดๆ ก็ตาม ให้ปล่อยสวิตช์และจับเลื่อยให้น้อยอยู่กับชิ้นงาน จนกระทั่งใบเลื่อยหยุดสนิท ห้ามดึงเลื่อยออกจากชิ้นงานหรือดึงเลื่อยถอยหลังขณะที่ใบเลื่อยหมุนอยู่โดยเด็ดขาด มิฉะนั้นเลื่อยอาจติดกลับได้ ตรวจสอบและทำการแก้ไขเพื่อจัดสาเหตุของใบเลื่อยที่ติดขัด
- ค) เมื่อจะเริ่มตัดงานตัดในชิ้นงานอีกครั้ง ให้วางใบเลื่อยที่กึ่งกลางรอยตัดและตรวจสอบว่าฟันเลื่อยไม่ได้ขบติดอยู่ในวัสดุชิ้นงาน หากใบเลื่อยติด เลื่อยอาจตัดขึ้นหรือติดกลับจากชิ้นงานเมื่อเดินเครื่องได้
- ง) หมุนชิ้นงานแผ่นใหญ่เพื่อลดความเสี่ยงที่ใบเลื่อยจะถูกหนีบและติดกลับ ชิ้นงานแผ่นใหญ่มิฉะนั้นจะขยับลงจากน้ำหนักของชิ้นงาน ต้องวางแท่นรองหนุนใต้ชิ้นงานทั้งสองด้านที่ตำแหน่งใกล้แนวตัดและใกล้ขอบของแผ่นชิ้นงาน

- จ) ห้ามใช้ใบเลื่อยที่ทื่อหรือเสียหาย ใบเลื่อยที่ไม่ได้ลับคมหรือไส้อย่างไม่เหมาะสมจะทำให้รอยตัดแคบ เป็นสาเหตุให้มีแรงเสียดทานสูงเกินควร ใบเลื่อยติดขัดและติดกลับ
- ฉ) ต้องขันคั่นล็อคความลึกใบเลื่อยและคั่นล็อคปรับมุมเอียงและยึดให้แน่นก่อนเริ่มงานตัด ถ้าตัวปรับใบเลื่อยเลื่อนระหว่างการตัด อาจทำให้เลื่อยติดขัดและติดกลับได้
- ช) ต้องใช้ความระมัดระวังเป็นพิเศษขณะทำการ “ตัดแบบเซาะร่อง” เข้าไปในผนังหรือพื้นที่ปิดอื่นๆ ใบเลื่อยที่แทงเข้าไปอาจไปตัดถูวัตถุที่ทำให้เลื่อยติดกลับได้

คำแนะนำความปลอดภัยสำหรับการทำงานของตัวครอบป้องกันด้านล่างของเลื่อยวงเดือน

- ก) ตรวจสอบตัวครอบป้องกันด้านล่างว่าปิดอย่างเหมาะสมแล้วก่อนใช้งานแต่ละครั้ง ห้ามใช้งานเลื่อยหากตัวครอบป้องกันด้านล่างไม่สามารถขยับได้อย่างอิสระและไม่ปิดสนิท ห้ามจับยึดหรือผูกตัวครอบป้องกันด้านล่างไว้ในตำแหน่งเปิด หากพลาดพลั้งทำเลื่อยตก ตัวครอบป้องกันด้านล่างอาจบิดเบี้ยวได้ ยกตัวครอบป้องกันด้านล่างขึ้นด้วยมือจับสำหรับดึงเก็บ และตรวจสอบให้แน่ใจว่าตัวครอบขยับได้อย่างอิสระและไม่สัมผัสกับใบเลื่อยหรือชิ้นส่วนอื่นๆ ในทุกๆ มุมและควมลึกของการตัด
- ข) ตรวจสอบการทำงานและสภาพของสปริงตัวครอบป้องกันด้านล่าง หากตัวครอบและสปริงไม่ทำงานตามปกติ ต้องนำไปซ่อมแซมที่ศูนย์บริการก่อนใช้งาน ตัวครอบป้องกันอาจปิดได้หากชิ้นส่วนเสียหาย มีคราบเหนียว หรือมีเศษวัสดุสะสมอยู่มาก
- ค) ผู้ใช้สามารถดึงตัวครอบป้องกันด้านล่างเก็บด้วยตนเองเฉพาะเมื่อทำงานตัดแบบพิเศษ อาทิ การตัดแบบเซาะร่อง” และ “การตัดประกอกลม” เท่านั้น ยกตัวครอบป้องกันด้านล่างโดยใช้มือจับสำหรับดึงเก็บ และทันทีที่ใบเลื่อยตัดเข้าชิ้นงานแล้ว ต้องปล่อยให้ตัวครอบป้องกันด้านล่างทันที สำหรับการเลื่อยแบบอื่นๆ ทั้งหมด ให้ตัวครอบป้องกันด้านล่างทำงานอัตโนมัติ
- ง) สังเกตดูว่าตัวครอบป้องกันด้านล่างครอบปิดไม่มิดแล้วก่อนจะวางเลื่อยลงบนโต๊ะทำงานหรือพื้น ไม่มิดเป็ลลี่ยที่ยังหมุนอิสระอยู่จะทำให้เลื่อยวิ่งถอยกลับและตัดวัตถุในเส้นทาง โปรดอย่าลืมว่าภายหลังปล่อยสวิตช์แล้วใบมิดต้องใช้เวลาคงที่หนึ่งจึงจะหยุดหมุน

คำแนะนำด้านความปลอดภัยสำหรับเลื่อยวงเดือน

- ก) ตรวจสอบตัวครอบป้องกันว่าปิดอย่างเหมาะสมแล้วก่อนใช้งานแต่ละครั้ง ห้ามใช้งานเลื่อยหากตัวครอบป้องกันไม่สามารถขยับได้อย่างอิสระและไม่ปิดครอบใบเลื่อยสนิท ห้ามจับยึดหรือผูกตัวครอบป้องกันไว้ในตำแหน่งเป็ลลี่ยใบเลื่อย หากพลาดพลั้งทำเลื่อยตก ตัวครอบป้องกันอาจบิดเบี้ยวได้ ตรวจสอบให้แน่ใจว่าตัวครอบขยับได้อย่างอิสระและไม่สัมผัสกับใบเลื่อยหรือชิ้นส่วนอื่นๆ ในทุกๆ มุมและความลึกของการตัด

- ข) ตรวจสอบการทำงานและสภาพของสปริงปิดตัวครอบป้องกัน หากตัวครอบและสปริงไม่ทำงานตามปกติ ต้องนำไปซ่อมแซมที่ศูนย์บริการก่อนใช้งาน ตัวครอบป้องกันอาจผิดได้หากชิ้นส่วนเสียหาย มีคราบเหนียว หรือมีเศษวัสดุสะสมอยู่มาก
- ค) ตรวจสอบให้แน่ใจว่าแผ่นตัวนำของเลื่อยจะไม่เลื่อนระหว่าง “การตัดเซาะร่อง” เมื่อระดับความเอียงของใบเลื่อยไม่ใช่ 90° ใบเลื่อยที่เลื่อนออกด้านข้างจะทำให้เกิดการติดขัดและมีแนวโน้มจะติดกลับ
- ง) สังเกตดูว่าตัวครอบป้องกันครอบปิดใบมีดแล้วก่อนจะวางเลื่อยลงบนโต๊ะทำงานหรือพื้น ใบมีดเบี่ยงที่ยังหมุนอิสระอยู่จะทำให้เลื่อยวิ่งถอยกลับและตัดวัตถุในเส้นทาง โปรดอย่าลืมว่าภายหลังปล่อยสวิตช์แล้วใบมีดต้องใช้เวลาค่อยๆหยุดหมุน

ข้อแนะนำด้านความปลอดภัย/คำจำกัดความ

การอ่านและทำความเข้าใจคู่มือเล่มนี้เป็นสิ่งสำคัญ ข้อมูลในคู่มือเล่มนี้เกี่ยวข้องกับการปกป้องความปลอดภัยของคุณและการป้องกันปัญหา สัญลักษณ์ด้านล่างนี้ใช้เพื่อช่วยให้คุณจำข้อมูลนี้ได้

⚠ อันตราย! หมายถึงสถานการณ์ที่ก่อให้เกิดอันตรายได้อย่างฉับพลัน ซึ่งหากไม่ระวัง จะทำให้เสียชีวิตหรือบาดเจ็บสาหัสได้

⚠ คำเตือน! หมายถึงสถานการณ์ที่มีแนวโน้มว่าอาจจะก่อให้เกิดอันตราย ซึ่งถ้าไม่ระวัง สามารถทำให้เสียชีวิตหรือบาดเจ็บสาหัสได้

⚠ ข้อควรระวัง! หมายถึงสถานการณ์ที่มีแนวโน้มว่าจะก่อให้เกิดอันตราย ซึ่งถ้าไม่ระวัง อาจทำให้ได้รับบาดเจ็บเล็กน้อยหรือปานกลาง

⚠ ข้อควรระวัง! การใช้งานในกรณีที่ไม่มีสัญลักษณ์แจ้งเตือนความปลอดภัย หมายถึงสถานการณ์ที่มีแนวโน้มว่าจะก่อให้เกิดอันตราย ซึ่งถ้าไม่ระวัง อาจทำให้ทรัพย์สินชำรุดเสียหายได้

กฎความปลอดภัยเพิ่มเติมสำหรับเลื่อยวงเดือน

⚠ คำเตือน! การใช้เครื่องมือนี้อาจทำให้เกิดฝุ่นละอองและ/หรือทำให้ฝุ่นฟุ้งกระจาย ซึ่งอาจทำให้เกิดการบาดเจ็บร้ายแรงด้านทางเดินหายใจหรือด้านอื่นๆ ได้ โปรดใช้อุปกรณ์ป้องกันทางเดินหายใจสำหรับป้องกันฝุ่นที่ NIOSH/OSHA รับรองทุกครั้ง เพื่อป้องกันอนุภาคฝุ่นละอองสัมผัสใบหน้าและร่างกาย

⚠ ข้อควรระวัง! โปรดสวมอุปกรณ์ป้องกันการได้ยินที่เหมาะสมขณะใช้งานเครื่อง ภายใต้สภาวะบางอย่างและระยะเวลาใช้งานที่ยาวนาน เสียงจากผลิตภัณฑ์นี้อาจทำให้สูญเสียการได้ยิน

- การวางตัวครอบป้องกันด้านล่างกีดขวางผิวหนังด้านข้างของวัสดุชิ้นงานที่กำลังตัดอาจลดทอนการควบคุมของผู้ใช้งานเครื่องลงชั่วคราว เลื่อยอาจตัดชิ้นงานรอยตบบางส่วน ซึ่งเพิ่มความเสี่ยงที่ใบเลื่อยจะบิดเบี้ยว โปรดตรวจสอบว่ามีช่องว่างใต้ชิ้นงานเพียงพอ
- เมื่อจำเป็นต้องยกตัวครอบป้องกันด้านล่างด้วยตนเอง ให้ใช้คันโยกสำหรับดึงเก็บ
- ดูแลใบเลื่อยให้สะอาดและคมอยู่เสมอ ใบเลื่อยที่คมจะช่วยลดการค้ำและการติดกลับ การใช้ใบเลื่อยที่ทื่อและ/หรือสกปรกจะเพิ่มการไหลให้กับเลื่อย ส่งผลให้ผู้ใช้งานต้องออกแรงผลักมากขึ้น ซึ่งเพิ่มโอกาสที่ใบเลื่อยจะบิดเบี้ยว

⚠ ข้อควรระวัง! ระวังอันตรายจากอุบัติเหตุที่ทำให้เกิดแผลฉีกขาด มีต่ออยู่ห่างจากบริเวณที่ตัด ระวังมือหรือแขนจากใบเลื่อย ห้ามวางมือที่ด้านหน้าหรือหลังของเส้นทางใบเลื่อยโดยเด็ดขาดขณะกำลังตัด ห้ามสอดมือเข้าไปใต้ชิ้นงานขณะใบเลื่อยกำลังหมุน ห้ามพยายามถอดชิ้นงานตัดออกขณะที่ใบเลื่อยกำลังเคลื่อนที่

- **หมุนชิ้นงานแผ่นใหญ่** ต้องหมุนชิ้นงานแผ่นใหญ่ดังที่แสดงในคู่มือเล่มนี้ (รูป A) เพื่อลดความเสี่ยงที่ใบเลื่อยจะถูกหนีบและติดกลับ ชิ้นงานที่หมุนเฉพาะที่ส่วนปลาย (รูป B) จะหนีบใบเลื่อย เมื่อการทำงานตัดจำเป็นต้อง วางตัวเลื่อยลงบนชิ้นงานขณะตัด ให้วางตัวเลื่อยลงบนชิ้นงานฝั่งที่มีขนาดใหญ่กว่าและตัดฝั่งที่เป็นชิ้นเล็กกว่าออก
- **เมื่อตัดทิ้งใบเลื่อย** ให้ใช้ใบเลื่อยและส่วนประกอบชุดเลื่อยที่ถูกต้องเท่านั้น ห้ามใช้ใบเลื่อยที่มีขนาดของตัดทิ้งที่ไม่ถูกต้อง ห้ามใช้แหวนรองและโบลท์ประกอบใบเลื่อยที่เสียหายหรือไม่ถูกต้องโดยเด็ดขาด ปฏิบัติตามขั้นตอนการประกอบใบเลื่อย
- **การปรับตัด ก่อนทำงานตัดให้ตรวจสอบให้แน่ใจว่าตัวปรับความลึกและความเอียงขั้นแน่นแล้ว**
- **หมุนและยึดจับชิ้นงานให้เหมาะสม** ตรวจสอบว่าได้จับยึดชิ้นงานที่จะตัด (รูป C) และหมุนชิ้นงานให้สมดุลบนพื้นผิวการทำงานที่แข็งแรง มั่นคง และได้ระดับ หมุนชิ้นงานโดยให้ฐานเลื่อยฝั่งกว้างวางอยู่บนชิ้นงานด้านที่จะไม่หลงลงเมื่อตัด ห้ามจับชิ้นงานที่จะตัดออกด้วยมือ (รูป D) โดยเด็ดขาด อาจทำให้ใบเลื่อยถูกหนีบและติดกลับได้ ให้ใช้มือทั้งสองจับบนตัวเลื่อยตลอดเวลา
- **ตัดด้วยเสมอและควบคุมเลื่อยตลอดเวลา ระวังระดับร่างกายให้อยู่ด้านข้างของใบเลื่อย** รักษาความกระชับในการจับและการควบคุมเลื่อยของมือทั้งสองข้าง ห้ามเลื่อนตำแหน่งที่จับหรือเคลื่อนย้ายตำแหน่งร่างกายระหว่างเลื่อยกำลังทำงาน ใช้ความระมัดระวังเพื่อหลีกเลี่ยงการบาดเจ็บจากชิ้นงานที่ตัดออกมาระหว่างการตัด อย่าพยายามซาร์จแบตเตอรี่ที่ชำรุดเสียหาย

⚠ คำเตือน! การใช้เครื่องมือนี้อาจทำให้เกิดฝุ่นละอองและ/หรือทำให้ฝุ่นฟุ้งกระจาย ซึ่งอาจทำให้เกิดการบาดเจ็บร้ายแรงด้านทางเดินหายใจหรือด้านอื่นๆ

คุณสมบัติ (รูป E)

1. สวิตช์เปิด/ปิด
2. มือจับหลัก
3. มือจับเสริม
4. ฐานเลื่อย
5. ใบเลื่อย
6. ตัวครอบป้องกันใบเลื่อย
7. คันดึงเก็บตัวครอบป้องกันใบเลื่อย
8. ประแจขันใบเลื่อย
9. ปุ่มปรับความเอียง
10. แหวนรองด้านนอก
11. สกรูยึดใบเลื่อย
ประแจหกเหลี่ยมขันใบเลื่อย (แสดงในรูป I (15))
แฟงขันใบเลื่อย (แสดงในรูป M (18))
หน้าแปลนด้านใน (แสดงในรูป J (20))

การประกอบ/การปรับตั้ง

⚠ คำเตือน ถอดปลั๊กไฟเพื่อแยกออกจากแหล่งจ่ายไฟก่อนการทำงานต่อไปนี้เสมอ

การปรับความลึกของรอยตัด (รูป F และ G)

ควรตั้งค่าความลึกของรอยตัดตามความหนาของชิ้นงาน

- คลายคันโยก (12) เพื่อปลดล็อกฐานเลื่อย
- เลื่อนฐานเลื่อย (4) ไปยังตำแหน่งที่ต้องการ ค่าความลึกของรอยตัดสามารถอ่านได้จากสเกล (13)
- ขันคันโยกให้แน่นเพื่อล็อกฐานเลื่อยให้อยู่กับที่
- ปรับตั้งค่าความลึกของเลื่อยให้ฟันเลื่อยทั้งซี่โผล่พ้นจากใต้ชิ้นงานดังแสดงในรูป G

การปรับมุมเอียง (รูป H)

เครื่องมือนี้สามารถปรับมุมเอียงได้ระหว่าง 0° ถึง 45°

- คลายปุ่มล็อก (9) เพื่อปลดล็อกฐานเลื่อย
- เลื่อนฐานเลื่อย (4) ไปยังตำแหน่งที่ต้องการ ค่ามุมเอียงสามารถอ่านได้จากสเกล (14)
- ขันปุ่มล็อกให้แน่นเพื่อล็อกฐานเลื่อยให้อยู่กับที่

การติดตั้งใบเลื่อย (รูป I และ J)

- เพื่อป้องกันไม่ให้แกนหมุนเคลื่อนที่ ให้สอดส่วนปลายของประแจ (8) เข้าไปในรูของแหวนรองด้านนอก (10) ดังแสดงในรูป I
- คลายและถอดสกรูยึดใบเลื่อย (11) โดยการขันประแจหกเหลี่ยม (15) ทวนเข็มนาฬิกา
- ถอดแหวนรองด้านนอก
- ตรวจสอบและประกอบหน้าแปลนด้านใน (20) เข้ากับแกนหมุน (16) ตรวจสอบให้แน่ใจว่าหน้าแปลนด้านใน (20) หันออกถูกต้องและตรงกันกับใบเลื่อย

- ติดตั้งใบเลื่อย (5) ลงบนหน้าแปลนด้านใน (20) ตรวจสอบว่าลูกศรบนใบเลื่อยชี้ไปทิศทางเดียวกับลูกศรบนเครื่องมือ
 - ประกอบแหวนรองด้านนอก (10) เข้ากับแกนหมุน โดยให้ขอบที่มีมุมเอียงหันออกจากใบเลื่อย
 - ติดตั้งสกรูยึดใบเลื่อย (11) เข้าไปในรูของแกนหมุน
 - ป้องกันไม่ให้แกนหมุนเคลื่อนที่โดยสอดประแจเข้าไปในรูของแหวนรองด้านนอก
 - ขันสกรูยึดใบเลื่อยให้แน่นโดยยึดประแจแล้วขันประแจหกเหลี่ยมไปตามเข็มนาฬิกาเพื่อขันสกรูยึดใบเลื่อยให้แน่น
- ⚠ คำเตือน** หน้าแปลนด้านใน (20) ที่มีสัญลักษณ์ “19” และ “20” ตามลำดับจะใช้งานคู่กับใบเลื่อย (5) ที่มีขนาดช่องติดตั้ง 19 มม. หรือ 20 มม.

การถอดใบเลื่อย

- เพื่อป้องกันไม่ให้แกนหมุนเคลื่อนที่ ให้สอดส่วนปลายของประแจ (8) เข้าไปในรูของแหวนรองด้านนอก (10)
 - คลายและถอดสกรูยึดใบเลื่อย (11) โดยการขันทวนเข็มนาฬิกาด้วยประแจหกเหลี่ยม (15)
 - ถอดแหวนรองด้านนอก (10)
 - ถอดใบเลื่อย (5)
- ⚠ คำเตือน** เพื่อลดความเสี่ยงที่จะได้รับบาดเจ็บสาหัสโปรดอ่าน ทำความเข้าใจ และปฏิบัติตามคำเตือนและคำแนะนำด้านความปลอดภัยที่สำคัญทั้งหมดก่อนใช้งานเครื่องมือ

งานตัดทั่วไป

ป้องกันการติดกลับ

ขณะที่เครื่องมือถอดปลั๊กอยู่ ให้ปฏิบัติตามคำแนะนำในการประกอบ การปรับแต่งและการตั้งค่า ตรวจสอบว่าตัวครอบป้องกันด้านล่างทำงานปกติเลือกใบเลื่อยที่เหมาะสมสำหรับวัสดุที่จะตัด

- วัดและทำเครื่องหมายบนชิ้นงานสำหรับตัด
- หนุ่นและจับยึดชิ้นงานให้เหมาะสม (โปรดดูกฎเกณฑ์และคำแนะนำด้านความปลอดภัย)
- ใช้อุปกรณ์นิรภัยที่จำเป็นและเหมาะสม (โปรดดูกฎเกณฑ์ด้านความปลอดภัย)
- ป้องกันและรักษาสภาพพื้นที่ทำงาน (โปรดดูกฎเกณฑ์ด้านความปลอดภัย)
- เสียบปลั๊กและครอบตัวป้องกันใบเลื่อย จากนั้นจึงตรวจสอบว่าสวิตช์สั่งการให้เลื่อยเปิดปิดได้ตามปกติ

⚠ คำเตือน การรองรับชิ้นงานอย่างเหมาะสมและจับเลื่อยให้มั่นคงเป็นสิ่งสำคัญที่ช่วยป้องกันการสูญเสียการควบคุม ซึ่งอาจทำให้เกิดการบาดเจ็บส่วนบุคคลได้ รูป C แสดงตำแหน่งมือที่แนะนำ

การใช้งาน

สวิตช์

- เมื่อจะเดินเครื่อง ให้กดสวิตช์ควบคุม (1) เครื่องจะทำงานไปเรื่อยๆ ตราบเท่าที่ยังกดสวิตช์อยู่
- เมื่อต้องการปิดเครื่อง ให้ปล่อยสวิตช์ (1) ไม่มีวิธีการสำหรับการล็อคเครื่องให้ทำงาน และไม่ควรรีบล็อคสวิตช์ให้เปิดตลอดเวลาด้วยวิธีการใดๆ ก็ตาม

การปล่อย

⚠ คำเตือน เพื่อลดความเสี่ยงที่จะได้รับบาดเจ็บร้ายแรง ให้จับเครื่องมือด้วยมือทั้งสองข้างเสมอ

- ปล่อยให้ใบเลื่อยหมุนฟรีสองสามวินาทีก่อนเริ่มดำเนินการตัด
- ออกแรงกดไปยังเครื่องมือเพียงเบาๆ ในขณะที่ทำการตัด
- ทำงานโดยให้ฐานเลื่อยกดเข้ากับชิ้นงาน

คำแนะนำเพื่อการใช้งานที่เหมาะสมที่สุด

- เนื่องจากการแตกบิ่นที่ผิวด้านบนของชิ้นงานตามแนวตัดเป็นเรื่องหลีกเลี่ยงไม่ได้ ควรตัดชิ้นงานบนด้านที่ยอมให้มีรอยแตกบิ่นได้
- ในงานตัดที่ต้องการให้เกิดรอยแตกบิ่นน้อยที่สุด อาทิ เมื่อตัดแผ่นลามิเนต ให้ยึดแผ่นไม้ยึดทบบนชิ้นงานอีกชั้นหนึ่ง

การเจาะช่อง (รูป K)

การเจาะช่องจะใช้เพื่อเจาะช่องในชิ้นงานโดยไม่มีการตัดจากด้านบน

- วัดและทำเครื่องหมายชิ้นงาน
- เอียงเลื่อยไปด้านหน้าและพักฐานเลื่อยด้านหน้าลงบนชิ้นงานที่จะตัด จัดแนวให้การตัดเริ่มต้นที่ด้านล่างของรูปสี่เหลี่ยมที่วาดไว้ ดังแสดงในรูป K
- ดึงตัวครอบใบเลื่อยเก็บขึ้นมาในตำแหน่งด้านบนด้วยคันดิ่งเก็บตัวครอบ เมื่อใบเลื่อยเปิดพร้อมสับชิ้นงานได้แล้ว ให้เดินเครื่องมือเตอร์และค่อยๆ ลดตัวเลื่อยลงหาวัสดุชิ้นงาน

⚠ คำเตือน เมื่อใบเลื่อยเริ่มตัดเข้าเนื้อวัสดุแล้วให้ปล่อยคันดิ่งเก็บตัวครอบทันที

- ห้ามผูกตัวครอบใบเลื่อยไว้ในตำแหน่งยกเปิดโดยเด็ดขาด
- เมื่อฐานเลื่อยวางราบลงบนชิ้นงานที่กำลังตัดแล้ว ให้ทำการตัดไปด้านหน้าจนเสร็จ
- รอยให้ใบเลื่อยหยุดหมุนสนิทก่อนยกเลื่อยขึ้นจากชิ้นงาน
- เมื่อเริ่มตัดรอยใหม่ ให้ทำขั้นตอนด้านบนซ้ำอีกครั้ง

การเก็บประแจ (รูป L)

ประแจ (8) สามารถเก็บไว้ในฐานเลื่อยได้ดังแสดงในรูป L

การประกอบและถอดแผงกันใบเลื่อย (รูป M)

แผงกันใบเลื่อยนั้นใช้สำหรับการเลื่อยเป็นเส้นตรงขนานกับขอบของชิ้นงาน

การประกอบ

- คลายปุ่มล๊อค (17)
- สอดแผงกันใบเลื่อย (18) เข้าไปในช่อง (19)
- เลื่อนแผงกันใบเลื่อยเข้าไปในตำแหน่งที่ต้องการ
- ซันปุ่มล๊อคให้แน่น

การถอด

- คลายปุ่มล๊อค
- ดึงแผงกันใบเลื่อยออกจากเครื่องมือ หมายถึง: หากคุณไม่มีแผงกันใบเลื่อยที่ประกอบได้พอดี ให้ใช้ตัวนำแบบขอบตรงประกอบกับขอบของฐานเลื่อยเพื่อเพิ่มความแม่นยำของการตัดและลดโอกาสที่ใบเลื่อยจะตัดขีดหรือติดกลับ

อุปกรณ์เสริม

สมรรถนะของเครื่องมือของคุณขึ้นอยู่กับอุปกรณ์เสริมที่ใช้ อุปกรณ์เสริมของ Stanley และ Piranha ได้รับการออกแบบทางวิศวกรรมให้มีมาตรฐานคุณภาพสูง และเพิ่มสมรรถนะการทำงานของเครื่องมือของคุณ เมื่อใช้อุปกรณ์เสริมเหล่านี้ คุณสามารถใช้เครื่องมือของคุณได้อย่างมีประสิทธิภาพสูงสุด เครื่องมือที่เหมาะสมและการทำความสะอาดอย่างสม่ำเสมอ

⚠ คำเตือน การใช้อุปกรณ์เสริมที่ไม่ได้แนะนำให้ใช้ร่วมกับเครื่องมือนี้อาจทำให้เกิดอันตรายร้ายแรงได้ ใช้เฉพาะใบเลื่อยขนาด 185 มม. ที่มีช่องติดตั้งขนาด 19 มม. หรือ 20 มม. เท่านั้น

ห้ามใช้ใบเลื่อยตัดโลหะ

การบำรุงรักษา

เครื่องมือของคุณออกแบบมาเพื่อให้สามารถใช้งานได้ยาวนานต่อเนื่องโดยมีการบำรุงรักษาที่ดีที่สุด การทำงานที่สร้างความพึงพอใจอย่างต่อเนื่องจะขึ้นอยู่กับการดูแลรักษาที่เหมาะสมและการทำความสะอาดอย่างสม่ำเสมอ

⚠ คำเตือน ก่อนทำการบำรุงรักษาเครื่องมือ ให้ปิดสวิตช์และถอดปลั๊กเครื่องมือทุกครั้ง

- ทำความสะอาดช่องระบายอากาศในเครื่องมือของคุณเป็นประจำโดยใช้แปรงขนอ่อนหรือผ้าแห้ง
- ทำความสะอาดตัวมอเตอร์เป็นประจำโดยใช้ผ้าชุบน้ำหมาดๆ ห้ามใช้น้ำยาทำความสะอาดที่มีฤทธิ์กัดกร่อนหรือมีส่วนผสมของตัวทำละลาย

⚠ ข้อสำคัญ! เพื่อรับประกันความปลอดภัยและความไว้วางใจได้ของผลิตภัณฑ์ การซ่อมแซม การบำรุงรักษา และการปรับตั้งต่างๆ (นอกเหนือจากที่ระบุไว้ในคู่มือนี้) จะต้องดำเนินการโดยศูนย์บริการที่ได้รับอนุญาตหรือเจ้าหน้าที่บริการที่ผ่านการรับรองแล้ว โดยใช้ชิ้นส่วนอะไหล่ของแท้เท่านั้น

การหล่อน

เครื่องมือของ Stanley ได้รับการหล่อนอย่างเหมาะสมแล้วจากโรงงานและพร้อมใช้งานได้ทันที

การปกป้องสิ่งแวดล้อม



การเก็บรวบรวมแบบคัดแยก ห้ามทิ้งผลิตภัณฑ์นี้รวมกับขยะในครัวเรือนปกติ

หากวันหนึ่งคุณพบว่าจำเป็นต้องเปลี่ยนผลิตภัณฑ์ Stanley ของคุณ หรือถ้าเครื่องมือนี้ไม่เป็นประโยชน์สำหรับคุณอีกต่อไป อย่าทิ้งผลิตภัณฑ์นี้รวมกับขยะในครัวเรือน จัดการกับผลิตภัณฑ์นี้เพื่อการเก็บรวบรวมแบบคัดแยก



การเก็บรวบรวมแบบคัดแยกสำหรับบรรจุภัณฑ์และผลิตภัณฑ์ที่ใช้แล้วทำให้สามารถรีไซเคิลวัสดุและนำมาใช้งานอีกครั้ง การนำวัสดุรีไซเคิลมาใช้อีกครั้งจะช่วยป้องกันมลพิษต่อสิ่งแวดล้อมและลดความต้องการวัตถุดิบ

ตามกฎหมายท้องถิ่นอาจมีการจัดเตรียมสถานที่สำหรับการเก็บรวบรวมแบบคัดแยกอุปกรณ์ไฟฟ้าที่ใช้ภายในครัวเรือนไว้ ณ แหล่งรับขยะของเทศบาล หรืออาจมีการรับอุปกรณ์ใช้แล้วจากผู้ค้าปลีกในกรณีที่คุณซื้อผลิตภัณฑ์ชิ้นใหม่

STEL311 Máy cưa đĩa 1510W

THÔNG SỐ KỸ THUẬT

THÔNG SỐ	STEL311	
ĐIỆN ÁP	V	220-240
CÔNG SUẤT	W	1510
TỐC ĐỘ KHÔNG TẢI	/phút	5500
ĐƯỜNG KÍNH CỬA TÔI ĐÁ	mm	185
BỀ DÀY CỬA TÔI ĐÁ	mm	62

MỤC ĐÍCH SỬ DỤNG

Máy cưa Stanley được thiết kế để cưa gỗ và các sản phẩm làm bằng gỗ. Dụng cụ này chỉ được thiết kế phục vụ người tiêu dùng.

CÁC QUY TẮC AN TOÀN CHUNG

Cảnh báo! Đọc kỹ và hiểu toàn bộ các hướng dẫn. Nếu không tuân theo tất cả các hướng dẫn được liệt kê bên dưới có thể dẫn đến điện giật, cháy và/hoặc chấn thương nghiêm trọng.

CÁC HƯỚNG DẪN AN TOÀN



HƯỚNG DẪN AN TOÀN

Cảnh báo chung về an toàn các dụng cụ điện cầm tay.

Cảnh báo! Hãy đọc tất cả các cảnh báo và hướng dẫn về an toàn. Việc không tuân theo các cảnh báo và hướng dẫn được liệt kê dưới đây có thể gây giật điện, cháy nổ và/hoặc chấn thương nghiêm trọng.

Giữ lại tất cả các cảnh báo và hướng dẫn để tham khảo về sau. Thuật ngữ “dụng cụ điện cầm tay” trong phần cảnh báo chỉ dụng cụ chạy bằng điện nguồn (có dây điện) hoặc dụng cụ chạy bằng pin (không có dây điện).

1. Khu vực làm việc

- Giữ cho nơi làm việc luôn sạch sẽ và đủ ánh sáng.** Những nơi bừa bộn và thiếu ánh sáng dễ gây tai nạn.
- Không vận hành dụng cụ điện cầm tay trong các môi trường dễ cháy nổ, như các môi trường có chất lỏng, khí hoặc bụi dễ cháy.** Dụng cụ điện cầm tay tạo ra các tia lửa điện có thể gây cháy bụi hoặc bốc khói.

- Không cho trẻ em và những người không liên quan lại gần khi đang vận hành dụng cụ điện cầm tay.** Những lúc xao lãng có thể khiến bạn mất kiểm soát.

2. An toàn điện

- Phích cắm dụng cụ điện cầm tay phải vừa với ổ cắm. Không được sửa đổi phích cắm dưới bất kỳ hình thức nào. Không được sử dụng các phích cắm tiếp hợp với những dụng cụ điện cầm tay có nối đất.** Phích cắm nguyên gốc và ổ cắm phù hợp sẽ giảm nguy cơ bị điện giật.
- Tránh tiếp xúc với các bề mặt được nối đất như đường ống, lò sưởi, bếp nướng và tủ lạnh.** Nguy cơ bị điện giật sẽ cao hơn nếu cơ thể bạn nối đất.
- Không được để các dụng cụ điện cầm tay ngoài trời mưa hoặc ở nơi ẩm ướt.** Nước vào trong dụng cụ điện cầm tay sẽ làm tăng nguy cơ bị điện giật.
- Không sử dụng dây điện vào các mục đích khác. Tuyệt đối không sử dụng dây điện để mang, kéo hoặc rút phích cắm dụng cụ điện cầm tay.** Để dây điện cách xa nguồn nhiệt, dầu mỡ, các cạnh sắc hoặc các bộ phận chuyển động. Dây điện bị hỏng hoặc bị vướng sẽ làm tăng nguy cơ bị điện giật.
- Khi vận hành dụng cụ điện cầm tay ngoài trời, hãy sử dụng dây nối dài phù hợp để sử dụng ngoài trời.** Sử dụng dây điện phù hợp để sử dụng ngoài trời sẽ giảm nguy cơ bị điện giật.
- Nếu bắt buộc phải vận hành dụng cụ điện cầm tay ở nơi ẩm ướt, hãy sử dụng nguồn được bảo vệ bởi thiết bị ngắt mạch tự động (RCD).** Sử dụng RCD giúp giảm nguy cơ bị điện giật

3. An toàn cá nhân

- Hãy tập trung, chú ý vào những gì bạn đang làm và tinh táo khi vận hành Dụng cụ điện cầm tay. Không được sử dụng Dụng cụ điện cầm tay khi bạn đang mệt hoặc uống rượu bia, sử dụng ma túy hoặc chất kích thích.** Một khoảnh khắc mất tập trung trong khi vận hành Dụng cụ điện cầm tay có thể dẫn đến chấn thương cá nhân nghiêm trọng.
- Sử dụng thiết bị bảo hộ. Luôn đeo kính bảo hộ.** Thiết bị bảo hộ an toàn như mặt nạ chống bụi, giày chống trượt, mũ cứng, hoặc bảo vệ tai nếu được sử dụng ở những điều kiện phù hợp sẽ giảm các chấn thương cá nhân.
- Tránh bật máy không chủ định. Đảm bảo rằng công tắc ở vị trí tắt trước khi nối với nguồn điện và/hoặc pin, khi cầm hoặc mang dụng cụ.** Có thể xảy ra tai nạn nếu đặt ngón tay trên công tắc khi đang cầm dụng cụ điện cầm tay hoặc công tắc của dụng cụ điện cầm tay đang bật khi sạc pin.

- d. **Hãy tháo hết khóa điều chỉnh hoặc cờ lê trước khi bật Dụng cụ điện cầm tay.** Cờ lê hoặc khóa vẫn để ở bộ phận quay của Dụng cụ điện cầm tay có thể dẫn đến chấn thương cá nhân.
 - e. **Không được với tay. Hãy đứng ở tư thế thích hợp và luôn giữ thẳng bằng.** Điều này giúp kiểm soát dụng cụ điện cầm tay tốt hơn trong các tình huống bất ngờ.
 - f. **Mặc quần áo phù hợp. Không mặc quần áo rộng hoặc đeo đồ trang sức. Giữ cho tóc, quần áo và găng tay tránh xa khỏi các bộ phận chuyển động.** Quần áo rộng, đồ trang sức hoặc tóc dài có thể bị mắc vào các bộ phận chuyển động.
 - g. **Nếu các thiết bị được cung cấp để nối các phương tiện hút hoặc gom bụi, hãy đảm bảo những thiết bị này được nối và sử dụng đúng cách.** Sử dụng các thiết bị này có thể giảm các nguy cơ liên quan đến bụi.
- 4. **Sử dụng và bảo quản dụng cụ điện cầm tay**
 - a. **Sử dụng Dụng cụ điện cầm tay phù hợp. Sử dụng Dụng cụ điện cầm tay phù hợp với mục đích của bạn.** Dụng cụ điện cầm tay phù hợp sẽ giúp cho công việc được thực hiện tốt hơn và an toàn hơn theo đúng tốc độ thiết kế.
 - b. **Không sử dụng Dụng cụ điện cầm tay nếu công tắc không bật và tắt được.** Những Dụng cụ điện cầm tay không điều khiển được bằng công tắc đều rất nguy hiểm và cần phải được sửa chữa.
 - c. **Rút phích cắm dụng cụ điện cầm tay khỏi nguồn điện và/hoặc pin trước khi thực hiện điều chỉnh, thay phụ kiện hoặc cất giữ dụng cụ.** Những biện pháp an toàn này giúp hạn chế nguy cơ dụng cụ điện cầm tay khởi động bất ngờ
 - d. **Bảo quản các Dụng cụ điện cầm tay không sử dụng tránh xa tầm tay trẻ em và không cho phép những người không quen với Dụng cụ điện cầm tay hoặc hướng dẫn này vận hành Dụng cụ điện cầm tay.** Dụng cụ điện cầm tay sẽ rất nguy hiểm khi được những người không có kinh nghiệm sử dụng.
 - e. **Bảo trì dụng cụ điện cầm tay. Kiểm tra các bộ phận di chuyển xem có bị lắp lệch hoặc kẹt không, các bộ phận có bị vỡ không và bất kỳ tình trạng nào khác có thể ảnh hưởng đến việc vận hành dụng cụ.** Nếu dụng cụ điện cầm tay bị hỏng, hãy sửa chữa trước khi sử dụng. Rất nhiều tai nạn xảy ra do công tác bảo trì các dụng cụ điện cầm tay kém.
 - f. **Đảm bảo các dụng cụ cửa luôn sắc và sạch sẽ.** Các dụng cụ cửa được bảo trì đúng cách với các cạnh cửa sắc sẽ ít bị kẹt hơn và dễ điều khiển hơn.

- g. **Sử dụng dụng cụ điện cầm tay, các phụ kiện và mũi khoan... theo các chỉ dẫn này, chú ý đến điều kiện làm việc và công việc cần thực hiện.** Sử dụng dụng cụ điện cầm tay sai mục đích có thể gây nguy hiểm.

5. Bảo dưỡng

- a. **Hãy mang dụng cụ điện cầm tay đi bảo dưỡng bởi nhân viên bảo dưỡng có chuyên môn, chỉ sử dụng các phụ kiện thay thế chính hãng.** Điều này giúp duy trì mức độ an toàn của dụng cụ điện cầm tay.

6. An toàn điện



Thiết bị này được cách điện kép nên không cần dây nối đất. Luôn kiểm tra xem nguồn điện có tương ứng với điện thế trên biển thông số định mức hay không.



Cảnh báo! Nếu dây điện bị hỏng thì phải được thay bởi nhà sản xuất, Trung tâm Dịch vụ được ủy quyền của Stanley hoặc cá nhân có chuyên môn thích hợp nhằm tránh gây hư hại hoặc chấn thương. Nếu dây điện do một cá nhân có chuyên môn thích hợp thay thế nhưng không được Stanley ủy quyền thì bảo hành sẽ không còn hiệu lực.

7. Ký hiệu trên máy

Nhãn hiệu trên dụng cụ của bạn có thể có những kí hiệu sau:

- VVôn
- AAmpe
- HzHéc
- WWatt
- Min.Phút
- ~Dòng xoay chiều
-Dòng một chiều
- n₀Tốc độ không tải
-Cấu tạo cách điện kép
-Dây nối đất
-Ký hiệu cảnh báo an toàn
- .../phút.....Số vòng quay hoặc số lần qua lại trong một phút
-Đọc kỹ hướng dẫn sử dụng

- ♦ Với các dụng cụ dùng để cưa gỗ, đọc kỹ hướng dẫn sử dụng hệ thống thu bụi đúng cách.
- ♦ Với các dụng cụ dùng để cưa gỗ, đọc kỹ hướng dẫn đeo mặt nạ chống bụi.
- ♦ Hướng dẫn chỉ sử dụng lưỡi cưa đề xuất.
- ♦ Hướng dẫn luôn luôn đeo nút bảo vệ tai.

HƯỚNG DẪN AN TOÀN CÁC QUY TRÌNH CỬA ĐỐI VỚI CÁC MÁY CỬA

- a. **⚠ CẢNH BÁO NGUY HIỂM:** **Đề tay tránh xa vùng cửa và lưỡi cửa. Đề tay còn lại vào tay cầm phụ, hoặc vỏ máy.** Nếu cả hai tay cùng giữ cửa, cửa sẽ không cửa vào tay.
- b. **Không với xuống dưới phôi gia công.** Vành chắn không thể bảo vệ bạn khỏi lưỡi cửa ở khu vực phía dưới phôi gia công.
- c. **Điều chỉnh độ sâu cắt theo độ dày của phôi gia công.** Gần như toàn bộ phần răng cửa phải nhìn thấy được ở phía dưới phôi gia công.
- d. **Không dùng tay giữ phôi hoặc đỡ phôi ngang chân.** Cố định phôi gia công chắc chắn lên bàn cửa. Cần đỡ phôi đúng cách để tránh nguy hiểm cho cơ thể, kẹt lưỡi cửa, hoặc mất kiểm soát.
- e. **Chỉ cầm dụng cụ điện cầm tay ở phần bề mặt tay cầm cách điện khi thực hiện thao tác mà dụng cụ cắt có thể tiếp xúc với hệ thống dây điện chìm hoặc dây điện của chính dụng cụ.** Tiếp xúc với dây điện "có điện" cũng có thể làm cho các bộ phận kim loại hở của dụng cụ điện cầm tay trở thành "có điện" và gây giật điện cho người vận hành.
- f. **Khi cửa dọc, luôn dùng tấm chắn dọc hoặc thanh dẫn thẳng.** Điều này giúp cửa chính xác và giảm nguy cơ kẹt lưỡi cửa.
- g. **Luôn dùng lưỡi cửa đúng kích cỡ và hình dạng (hình thoi hoặc hình tròn) của lỗ tâm.** Các lưỡi cửa không khớp với bộ phận gắn lưỡi của cửa sẽ khiến lưỡi cửa chạy không thẳng và có thể gây mất kiểm soát.
- h. **Không dùng bu-lông hoặc vòng đệm lưỡi cửa đã bị hỏng hoặc không đúng loại.** Bu-lông hoặc vòng đệm lưỡi cửa được thiết kế riêng cho cửa, để đạt hiệu quả cao và vận hành an toàn.

HƯỚNG DẪN AN TOÀN THÊM KHI SỬ DỤNG CÁC LOẠI CỬA

Nguyên nhân và cách đề phòng hiện tượng đẩy ngược người vận hành:

- ◆ Đẩy ngược là phản ứng tức thời với lưỡi cửa bị lệch, kẹt hoặc bị cạ, khiến không kiểm soát được cửa và cửa bật lên khỏi phôi gia công về phía người vận hành;
- ◆ Khi lưỡi cửa bị cạ hoặc kẹt chặt bởi rãnh cửa, lưỡi cửa dừng quay và phản ứng động cơ sẽ đẩy nhanh dụng cụ về phía người vận hành;
- ◆ Nếu lưỡi cửa bị xoắn hoặc đi lệch trong rãnh cửa, rãnh cửa cạnh sau của lưỡi cửa có thể mắc vào mặt trên của tấm gỗ khiến lưỡi cửa nhảy ra khỏi rãnh cửa và bật ngược về phía người vận hành.

- ◆ Đẩy ngược là hậu quả của việc dùng máy cửa không đúng và/hoặc quy trình vận hành không chính xác hoặc các điều kiện khác và có thể phòng tránh được bằng cách đề phòng như sau.
- a. **Dùng hai tay giữ chặt máy cửa và đề tay sao cho chống lực đẩy ngược.** Đừng về một trong hai phía của lưỡi cửa, nhưng không được đứng thẳng hàng với lưỡi cửa. Đẩy ngược có thể khiến máy cửa bật ngược ra sau, nhưng người vận hành có thể kiểm soát lực bật ngược, nếu tuân thủ các khuyến cáo.
CHÚ Ý Đối với máy cửa đĩa có đường kính lưỡi cửa 185 mm hoặc nhỏ hơn, có thể bỏ qua cụm từ "cả hai tay".
- b. **Khi kẹt lưỡi cửa hoặc ngừng cắt vì lý do nào đó, hãy ngắt điện và giữ cửa đứng yên trong vật liệu cho đến khi lưỡi cửa được hãm.** Không được cố tháo máy cửa khỏi phôi hoặc kéo giật máy cửa trong khi lưỡi cửa đang chuyển động hoặc xảy ra đẩy ngược. Kiểm tra và tiến hành khắc phục để loại bỏ nguyên nhân gây kẹt lưỡi cửa.
- c. **Khi đặt lại máy cửa vào phôi gia công, giống lưỡi cửa vào chính giữa rãnh cửa và kiểm tra sao cho lưỡi cửa không dính vào vật liệu.** Nếu lưỡi cửa bị kẹt, lưỡi cửa có thể trôi lên hoặc đẩy ngược khỏi phôi gia công khi máy cửa khởi động lại.
- d. **Đỡ những tấm cửa lớn để giảm thiểu rủi ro lưỡi cửa bị kẹt và ĐÁY NGƯỢC.** Tấm cửa lớn có xu hướng lún xuống do trọng lượng của chính nó. Cần đỡ cả hai cạnh tấm cửa, gần đường cửa và gần cạnh ngoài của tấm cửa.
- e. **Không dùng lưỡi cửa bị cùn hoặc bị hỏng.** Lưỡi cửa cùn hoặc đặt không đúng cách sẽ không cửa được rãnh sâu gây thừa ma sát, kẹt lưỡi cửa và đẩy ngược.
- f. **Độ sâu cắt và cần khóa điều chỉnh góc vát phải kín khít và cố định trước khi cửa.** Nếu cần điều chỉnh lưỡi cửa dịch chuyển khi đang cửa, có thể khiến kẹt lưỡi cửa và đẩy ngược.
- g. **Thận trọng hơn khi tạo "rãnh cắt cổ trực" vào các bức tường hiện tại hoặc khu vực không nhìn thấy khác.** Phần lưỡi cửa nhô ra có thể cửa vào các vật và có thể gây đẩy ngược.

HƯỚNG DẪN AN TOÀN ĐỐI VỚI CHỨC NĂNG BẢO VỆ DƯỚI MÁY CỬA ĐĨA

- a. **Kiểm tra rằng đã đóng chặt vành chắn dưới trước khi cửa.** Không vận hành cửa nếu vành chắn dưới không di chuyển tự do và không được đóng kín. Không kẹp hoặc gắn vành chắn dưới vào vị trí mở. Nếu cửa bất ngờ rơi xuống, có thể làm cong vành chắn dưới. Dùng tay cuộn nâng

vành chắn dưới lên để đảm bảo chuyển động tự do và không vướng vào lưới cửa hoặc bộ phận khác theo bất kỳ góc và độ sâu cắt nào.

- b. **Kiểm tra vận hành của lò xo vành chắn dưới.** Nếu vành chắn và lò xo không vận hành chính xác, cần bảo dưỡng trước khi sử dụng. Vành chắn dưới có thể chạy chậm do các bộ phận bị hỏng, nhiều cặn hoặc quá nhiều mùn cửa.
- c. **Chỉ có thể cuộn vành chắn bằng tay đối với các rãnh đặc biệt như "rãnh cửa chìm ổ trục" và "rãnh cửa tổng hợp."** Dùng tay cuộn nâng vành chắn dưới và khi lưới cửa vào vào vật liệu, nhả vành chắn dưới ra. Khi ở chế độ cửa khác, vành chắn được vận hành tự động.
- d. **Luôn luôn quan sát xem vành chắn dưới đã che chắn lưới cửa hay chưa trước khi đặt cửa xuống bàn cửa hoặc sàn.** Lưới cửa không được bảo vệ hoặc dừng hoạt động có thể cửa giật lùi, và cửa bất cứ thứ gì nằm trên đường cửa. Cần chú ý thời gian dừng lưới cửa sau khi nhà công tác.

HƯỚNG DẪN AN TOÀN VỀ MÁY CỬA ĐĨA

- a. **Kiểm tra xem vành chắn đã đóng chặt chưa trước khi cửa.** Không vận hành cửa nếu vành chắn không di chuyển tự do và không che kín lưới cửa. Không kẹp hoặc gắn vành chắn vào phần hở lưới cửa. Nếu cửa bất ngờ rơi xuống, có thể làm cong vành chắn. Kiểm tra để đảm bảo rằng vành chắn chuyển động tự do và không vướng vào lưới cửa hoặc bộ phận khác theo bất kỳ góc và độ sâu cắt nào.
- b. **Kiểm tra sự vận hành và điều kiện của lò xo vành chắn.** Nếu vành chắn và lò xo không vận hành chính xác, cần bảo dưỡng trước khi sử dụng. Vành chắn có thể chạy chậm do các bộ phận bị hỏng, nhiều cặn hoặc quá nhiều mùn cửa.
- c. **Đảm bảo rằng tấm dẫn hướng máy cửa không dịch chuyển khi cửa "rãnh chìm ổ trục" khi góc đặt vít lưới cửa không phải 90°.** Lưới cửa chênh lệch sang hai bên có thể khiến kẹt và đẩy ngược lưới cửa.
- d. **Luôn luôn quan sát xem vành chắn đã che chắn lưới cửa hay chưa trước khi đặt cửa xuống bàn cửa hoặc sàn.** Lưới cửa không được bảo vệ hoặc dừng hoạt động có thể cửa giật lùi, và cửa bất cứ thứ gì nằm trên đường cửa. Cần chú ý thời gian dừng lưới cửa sau khi nhà công tác.

ĐỊNH NGHĨA/HƯỚNG DẪN AN TOÀN

Bạn cần đọc và hiểu những hướng dẫn này.

Hướng dẫn này trình bày thông tin bảo vệ An toàn và Phòng ngừa Rủi ro. Những biểu tượng dưới đây giúp bạn nhận biết được thông tin này.

⚠ Nguy hiểm! Chỉ tình huống nguy hiểm sắp xảy ra mà, nếu không phòng tránh, có thể gây tử vong hoặc chấn thương nghiêm trọng.

⚠ Cảnh báo! Chỉ tình huống nguy hiểm tiềm ẩn mà, nếu không phòng tránh, có thể gây tử vong hoặc chấn thương nghiêm trọng.

⚠ Cảnh báo! Chỉ tình huống nguy hiểm tiềm ẩn mà, nếu không phòng tránh, có thể gây chấn thương vừa và nhẹ.

⚠ Cảnh báo! Sử dụng không chú ý biểu tượng cảnh báo an toàn để chỉ tình huống nguy hiểm tiềm ẩn mà, nếu không phòng tránh, có thể làm hư hỏng tài sản.

HƯỚNG DẪN AN TOÀN BỔ SUNG VỀ MÁY CỬA ĐĨA

⚠ Cảnh báo! Sử dụng dụng cụ này có thể sinh ra và/hoặc tạo bụi, có thể ảnh hưởng nghiêm trọng và vĩnh viễn đến đường hô hấp và tổn thương khác. Luôn luôn đeo dụng cụ bảo vệ đường hô hấp được phê duyệt NIOSH/OSHA tại khu vực nhiều bụi. Không hướng bụi, hạt vào mặt và cơ thể.

⚠ Cảnh báo! Đeo dụng cụ bảo vệ tai trong quá trình vận hành. Dưới một số điều kiện và sau một thời gian vận hành, tiếng ồn phát sinh từ máy có thể gây giảm thính lực.

- ♦ **Vành chắn dưới mài vào bề mặt phía dưới vật liệu có thể làm giảm khả năng kiểm soát của người vận hành.** Máy cửa có thể chệch một phần ra khỏi rãnh cửa làm tăng nguy cơ xoắn lưới cửa. Đảm bảo có đủ khe hở phía dưới phối gia công.
- ♦ **Chỉ cần nâng vành chắn dưới bằng tay, dùng cần cuộn.**
- ♦ **Giữ Lưới cửa Sạch và Sắc.** Lưới cửa sắc giảm nguy cơ dừng cửa và đẩy ngược. Dùng các lưới cửa bản và/hoặc cùn có thể tăng tải trọng lên máy cửa khiến người vận hành phải đẩy mạnh hơn, và có thể gây xoắn lưới cửa.

⚠ Cảnh báo! Nguy cơ bị cửa rách. Để tay cách xa khu vực cửa. Để tay cách xa lưới cửa. Không để tay trước hoặc sau đường lưới cửa khi đang cửa. Không với xuống dưới phối trong khi lưới cửa đang quay. Không cố lấy vật liệu cửa khi lưới cửa đang chạy.

- ♦ **Đỡ những tấm cửa lớn.** Phải đỡ tấm cửa lớn như đã chỉ ra (Hình A) trong hướng dẫn này để giảm nguy cơ lưới cửa bị kẹt hoặc đẩy ngược. Nếu chỉ đỡ các đầu vật liệu (Hình B) có thể làm kẹt lưới

cửa. Khi cửa mà cần tỳ máy cửa lên phiê gia công, nên tỳ cửa lên phần lớn hơn và mảnh cửa nhỏ hơn.

- ◆ **Chi dùng các lưỡi cửa và các bộ phận lắp ráp lưỡi cửa đúng loại khi gắn lưỡi cửa.** Không dùng lưỡi cửa có cỡ lỗ không đúng quy định. Không dùng bu-lông hoặc vòng đệm lưỡi cửa đã bị hỏng hoặc không đúng loại. Thực hiện theo các quy trình lắp ráp lưỡi cửa.
- ◆ **Điều chỉnh. Cần đảm bảo độ sâu cắt và điều chỉnh độ vát đã khít nhau trước khi cửa.**
- ◆ **Đỡ và cố định phiê một cách chính xác.** Đảm bảo rằng cần kẹp (Hình C) và đỡ chắc chắn cố định vật liệu vào bề mặt gia công cố định, chắc chắn. Đỡ bàn cửa sao cho phần lớn của đế máy cửa nằm trên phần vật liệu không bị rơi xuống sau khi cửa xong. Không dùng tay cầm mảnh gỗ đã cửa rời ra (Hình D). Có thể gây ĐÁY NGƯỢC do lưỡi cửa bị kẹt. Luôn dùng hai tay giữ máy cửa.
- ◆ **Luôn để ý cảnh báo và kiểm soát. Đứng về một bên của lưỡi cửa.** Luôn luôn dùng hai tay nắm chặt và kiểm soát máy cửa. Không đổi tay cầm hoặc tư thế đứng khi cửa đang chạy. Lưu ý khuyến cáo để tránh chấn thương do miếng cửa hoặc các vật liệu khác bị rơi vào trong quá trình cửa.

⚠ Nguy hiểm! Nhả công tắc ngay lập tức nếu lưỡi cửa bị kẹt hoặc cửa dừng hoạt động.

ĐẶC ĐIỂM (Hình E)

1. Công tắc bật/tắt
2. Tay cầm Chính
3. Tay cầm Phụ
4. Đệm máy cửa
5. Lưỡi cửa
6. Vành chặn Lưỡi cửa
7. Cần cuộn vành chặn Lưỡi cửa
8. Chia vận Đai ốc Lưỡi cửa
9. Núm Điều chỉnh Góc vát
10. Vòng đệm Ngoài
11. Đinh vít Giữ Lưỡi cửa

Đai ốc Sáu cạnh Lưỡi cửa (Nêu trong Hình I)
 Tấm chắn dọc (Nêu trong Hình M)
 Mặt bích Trong (Nêu trong Hình J)

LẮP RÁP/ĐIỀU CHỈNH

⚠ Cảnh báo! Luôn luôn rút công tắc nguồn máy cửa trước khi thực hiện các thao tác sau.

Điều chỉnh độ sâu cắt (Hình F và G)

Nên cài đặt độ sâu cắt theo độ dày của phiê gia công.

- ◆ Nới lỏng cần (12) để tháo đệm máy cửa.

- ◆ Di chuyển đệm máy cửa (4) đến vị trí mong muốn. Có thể đọc độ sâu cắt tương ứng trên thước đo (13).
- ◆ Siết chặt cần để khóa cố định đệm máy cửa.
- ◆ Điều chỉnh độ sâu cắt sao cho tăng cửa nhỏ xuống dưới phiê gia công như trong Hình G.

Điều chỉnh Góc Vát (Hình H)

Dụng cụ này có thể đặt góc vát từ 0° đến 45°

- ◆ Tháo lỏng núm khóa (9) để tháo đệm máy cửa.
- ◆ Di chuyển đệm máy cửa (4) đến vị trí mong muốn. Có thể đọc góc vát tương ứng trên thước đo (14).
- ◆ Siết chặt cần khóa để khóa cố định đệm máy cửa.

Lắp Lưỡi cửa (Hình I và J)

- ◆ Để tránh làm quay trục khiến chia vận đai ốc (8) lồi vào lỗ trong vòng đệm ngoài (10) như Hình I.
- ◆ Vận lỏng và tháo đinh vít giữ lưỡi cửa (11) bằng cách xoay đai ốc sáu cạnh (15) ngược chiều kim đồng hồ.
- ◆ Tháo vòng đệm ngoài.
- ◆ Kiểm tra và lắp lại mặt bích trong (20) vào trục (16).
- ◆ Đảm bảo đã lắp đúng cạnh của mặt bích trong (2) khớp lưỡi cửa với đường kính lỗ tâm.
- ◆ Đặt lưỡi cửa (5) vào mặt bích trong (20), đảm bảo rằng mũi tên chỉ trên lưỡi cửa trùng với mũi tên trên dụng cụ.
- ◆ Gắn vòng đệm ngoài (10) vào trục máy cửa.
- ◆ Vận đinh vít giữ lưỡi cửa (11) vào lỗ trên trục máy cửa.
- ◆ Tránh làm quay trục máy cửa bằng cách giữ chia vận đai ốc vào trong lỗ của vòng đệm ngoài.
- ◆ Vận chặt đinh vít giữ lưỡi cửa bằng cách giữ chặt chia vận đai ốc và xoay đai ốc sáu cạnh theo chiều kim đồng hồ để vận chặt đinh vít giữ lưỡi cửa.

⚠ Cảnh báo! Mặt bích trong (20) được đánh dấu tương ứng "19" và "20", khớp với lưỡi cửa (5) có lỗ đường kính 19mm và 20mm.

Tháo Lưỡi cửa

- ◆ Để tránh làm quay trục máy cửa, khiến chia vận đai ốc (8) lồi vào lỗ trong vòng đệm ngoài (10).
- ◆ Vận lỏng và tháo đinh vít giữ lưỡi cửa (11) bằng cách dùng cờ lê sáu cạnh vận đinh vít ngược chiều kim đồng hồ (15).
- ◆ Tháo vòng đệm ngoài (10).
- ◆ Tháo vòng lưỡi cửa (5).

⚠ Cảnh báo! Để giảm nguy cơ chấn thương cá nhân nghiêm trọng, cần đọc, hiểu và chấp hành các hướng dẫn và khuyến cáo an toàn quan trọng trước khi sử dụng máy cửa.

KHUYẾN CÁO CHUNG KHI CỬA

Bảo vệ Chống Đẩy ngược

Khi máy cửa chưa cắm điện, thực hiện theo các hướng dẫn cài đặt, điều chỉnh và lắp ráp. Đảm bảo vành chắn dưới hoạt động. Lựa chọn lưới cửa phù hợp với vật liệu cửa.

- ◆ Đo và đánh dấu phôi cho công tác cửa.
- ◆ Đỡ và cố định phôi chắc chắn (Tham khảo Hướng dẫn và Quy tắc An toàn).
- ◆ Sử dụng thiết bị an toàn yêu cầu và phù hợp (Tham khảo Quy tắc An toàn).
- ◆ Cố định và duy trì khu vực làm việc (Tham khảo Quy tắc An toàn).
- ◆ Khi máy cửa đã cắm điện và vành chắn đã đóng, đảm bảo công tắc bật, tắt máy cửa.

⚠ Cảnh báo! Cần đỡ phôi một cách hợp lý và giữ cửa chắc chắn để tránh mất kiểm soát gây chấn thương cá nhân. Hình C trình bày tư thế để tay để xuất

VẬN HÀNH

Công tắc

- ◆ Để vận hành dụng cụ, ấn công tắc khởi động (1). Dụng cụ sẽ tiếp tục vận hành khi công tắc khởi động vẫn ấn xuống.
- ◆ Để tắt dụng cụ, nhả công tắc khởi động (1). Không có phương án khác để khóa dụng cụ, và không được dùng các vật dụng khác để khóa công tắc.

Cửa

⚠ Cảnh báo! Để giảm rủi ro chấn thương cá nhân nghiêm trọng, luôn dùng hai tay để giữ cửa.

- ◆ Để lưới cửa chạy tự do trong một vài giây trước khi bắt đầu cửa.
- ◆ Chỉ tác dụng lực nhẹ lên dụng cụ khi máy cửa đang cửa.
- ◆ Luôn luôn cửa khi đệm đã ấn đỡ phôi gia công.

GỢI Ý ĐỂ SỬ DỤNG TỐI ƯU

- ◆ Vì không thể tránh mùn cửa bắn ra khỏi dọc rãnh cửa mặt trên của phôi gia công, cửa bề mặt mà cho phép bắn mùn cửa.
- ◆ Khi có thể giảm lượng mùn cửa bắn ra, ví dụ như cửa tấm mỏng, kẹp tấm gỗ vào phôi gia công.

Cửa tạo hốc (Hình K)

Cửa tạo hốc được dùng để cửa một lỗ trong mảnh vật liệu và không cửa từ cạnh.

- ◆ Đo và đánh dấu phôi.

- ◆ Xoay cửa và tỳ mặt trước đệm vào vật cần cửa.
- ◆ Gióng làm sao cửa từ phía sau hình chữ nhật như trong Hình K.
- ◆ Dùng cần cuộn, cuộn vành chắn lưới cửa tới vị trí dụng đứng, lưới cửa phải sạch vật liệu, bật máy và hạ dần cửa xuống vật liệu.

⚠ Cảnh báo! Khi lưới cửa bắt đầu cửa vật liệu, phải nhả ngay cần cuộn.

- ◆ Không buộc vành chắn lưới cửa vào vị trí nâng cao.
- ◆ Khi để tỳ lên vật liệu cửa, tiến hành cửa hoàn thiện theo hướng về phía trước.
- ◆ Để lưới cửa dùng hẳn trước khi nhắc máy cửa ra khỏi vật liệu.
- ◆ Khi cửa tiếp, làm theo các bước nêu trên.

Bảo quản Đai ốc vận (Hình L)

Có thể bảo quản đai ốc vận (8) vào đĩnh cửa như Hình L.

Lắp và Tháo Tấm chắn Đọc (Hình M)

Tấm chắn đọc được dùng để cửa theo đường thẳng song song với cạnh của phôi gia công.

Lắp

- ◆ Vận lồng núm khóa (17).
- ◆ Lắp tấm chắn đọc (18) vào khe (19).
- ◆ Trượt tấm chắn vào đúng vị trí.
- ◆ Siết chặt núm khóa.

Tháo

- ◆ Vận lồng núm khóa.
- ◆ Kéo tấm chắn đọc ra khỏi dụng cụ. Lưu ý: Nếu không có tấm chắn phù hợp, dùng một thanh dẫn cạnh thẳng tiếp xúc với cạnh của đệm để nâng cao độ chính xác của vết cửa hoặc giảm khả năng kẹt lưới cửa.

Các phụ kiện


Hiệu suất làm việc của dụng cụ tùy thuộc vào phụ kiện được sử dụng. Phụ kiện của Stanley được chế tạo theo tiêu chuẩn chất lượng cao và được thiết kế nhằm tăng cường hiệu suất làm việc cho dụng cụ của bạn. Dụng cụ của bạn sẽ phát huy tối đa hiệu quả làm việc khi sử dụng các phụ kiện này.

⚠ Cảnh báo! Sử dụng bất kỳ phụ kiện không được khuyến dùng với dụng cụ này có thể dẫn đến nguy hiểm. Chỉ dùng lưới cửa 185mm với đường kính lỗ 19mm hoặc 20mm. **Ngoại lệ:** Có thể sử dụng dụng lưới cửa nhám 175mm. Khi


cửa kim loại, cẩn thận với mặt kim loại nóng bán ra khỏi lưỡi cửa.

BẢO TRÌ

Dụng cụ này được thiết kế để vận hành trong thời gian dài và ít phải bảo trì nhất. Dụng cụ vận hành liên tục theo ý muốn tùy thuộc vào việc bảo quản dụng cụ đúng cách và vệ sinh thường xuyên.

 **Cảnh báo!** Trước khi tiến hành bảo dưỡng, hãy tắt và rút phích cắm ra khỏi dụng cụ.

- ♦ Thường xuyên lau chùi các khe thông gió trong dụng cụ bằng chổi mềm hoặc khăn khô.
- ♦ Thường xuyên lau chùi vỏ động cơ bằng khăn ẩm. Không dùng chất tẩy rửa có chứa dung môi hay chất mài mòn.

 **Quan trọng!** Để bảo Độ tin cậy và An toàn khi sử dụng Sản phẩm Công tác sửa chữa, bảo hành và hiệu chỉnh (ngoài các công tác được liệt kê trong sổ tay hướng dẫn này) cần được thực hiện bởi các trung tâm bảo dưỡng được ủy quyền hoặc các tổ chức được chứng nhận khác, luôn sử dụng các bộ phận thay thế chính hãng.

TRA DẦU

Các dụng cụ của Stanley được tra dầu thích hợp tại xưởng và sẵn sàng đưa vào sử dụng.

BẢO VỆ MÔI TRƯỜNG



Thu gom riêng. Không được vứt bỏ sản phẩm này cùng với rác thải sinh hoạt thông thường.

Nếu sản phẩm Stanley của bạn cần phải thay thế, hoặc bạn không sử dụng nó trong tương lai nữa, hãy nghĩ đến việc bảo vệ môi trường. Sản phẩm phải được thu gom riêng.



Thu gom riêng sản phẩm đã qua sử dụng và đóng gói lại sẽ cho phép tái chế và tái sử dụng vật liệu. Tái sử dụng vật liệu tái chế giúp ngăn chặn ô nhiễm môi trường và giảm nhu cầu vật liệu thô.

Luật lệ địa phương có thể quy định việc thu gom riêng các sản phẩm điện gia dụng, tại các bãi rác thải đô thị hoặc bởi những người bán lẻ khi bạn mua sản phẩm mới.

