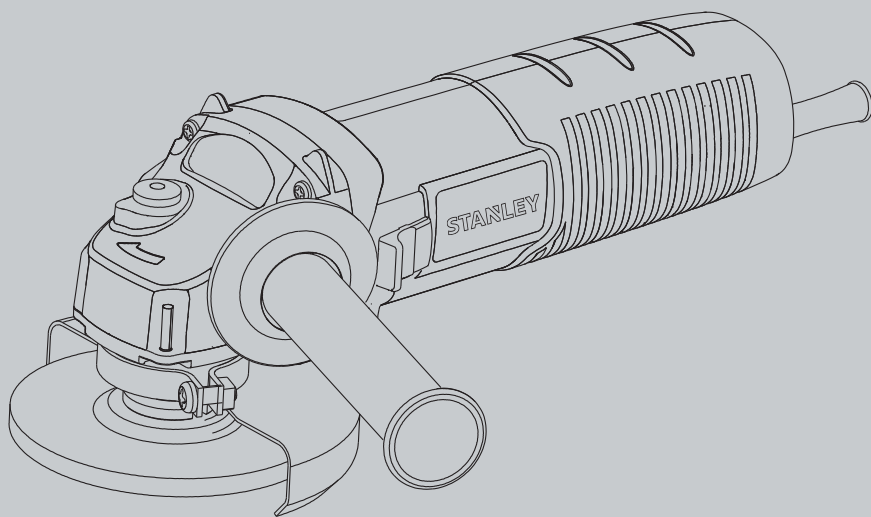


STANLEY



STGS6100
STGS7100

English	4
繁體中文	12
한국어	20
Indonesia	28
ภาษาไทย	36
Tiếng Việt	44

Figure 1

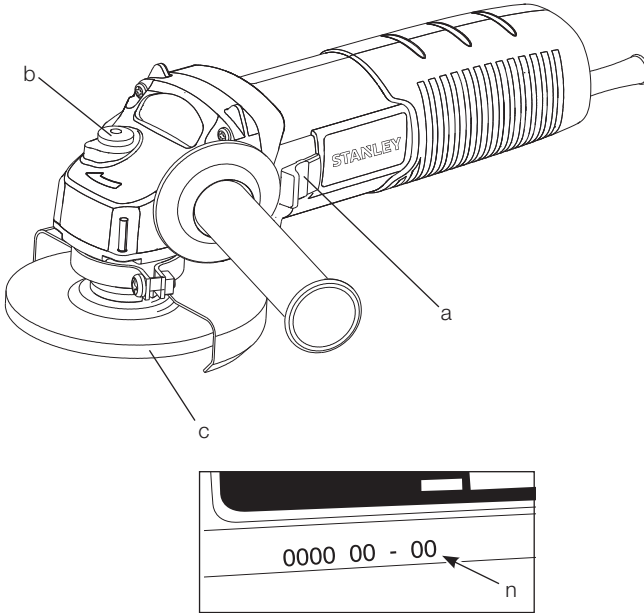


Figure 2

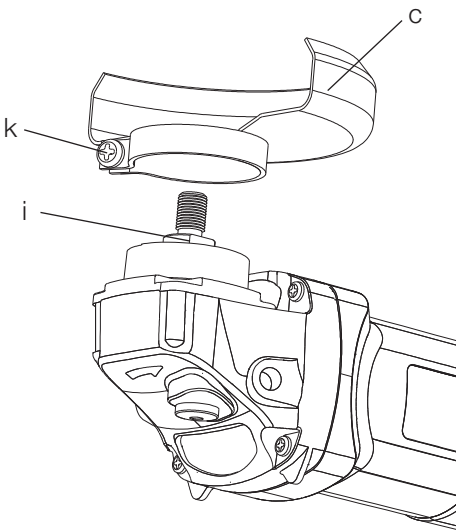


Figure 3

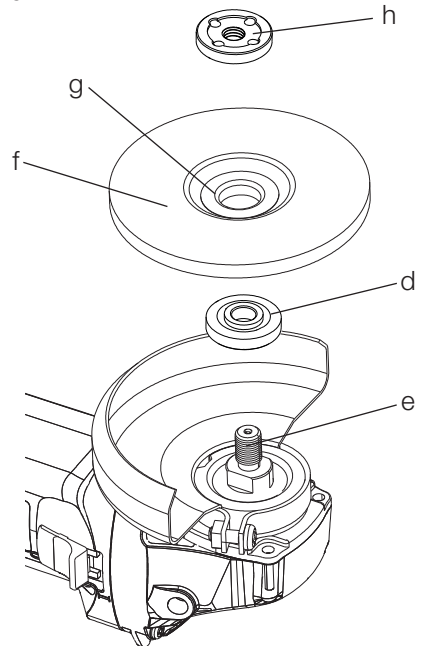


Figure 4

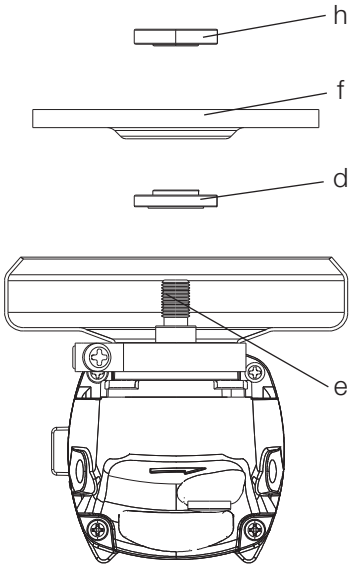


Figure 5

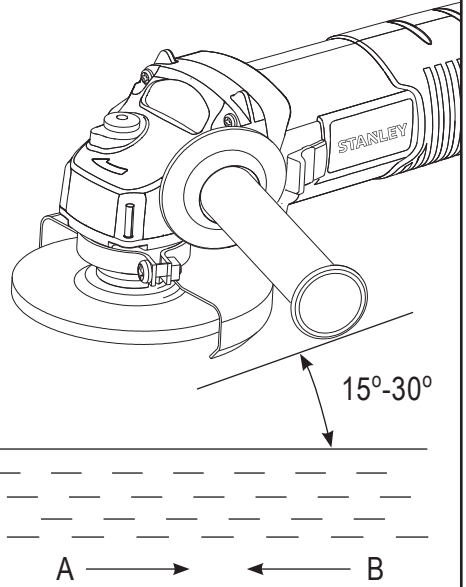
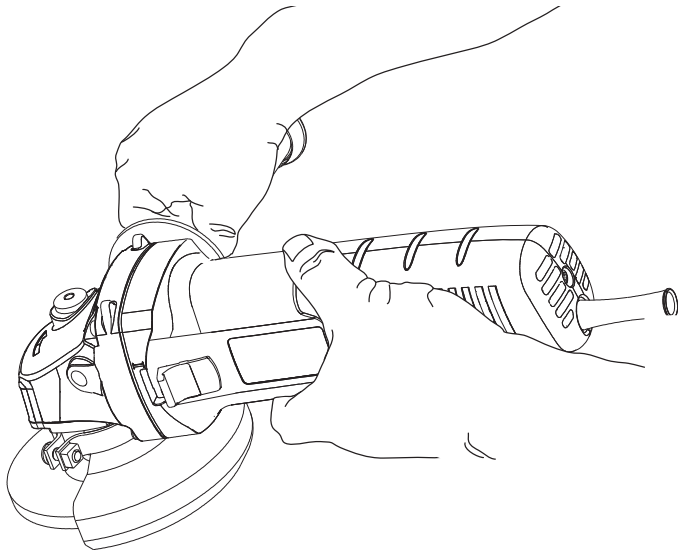


Figure 6



ANGLE GRINDERS

STGS6100 / STGS7100

Technical Data

		STGS6100	STGS7100
Input power	W	680	710
No-load speed/rated speed	min ⁻¹	11,000	11,000
Wheel diameter	mm	100	100
Grinding wheels thickness	mm	6	6
Type of wheel		27	27
Spindle diameter		M10	M10
Weight	kg	1.8	1.8

Definitions: Safety Guidelines

The definitions below describe the level of severity for each signal word. Please read the manual and pay attention to these symbols.



DANGER: Indicates an imminently hazardous situation which, if not avoided, **will** result in **death or serious injury**.



WARNING: Indicates a potentially hazardous situation which, if not avoided, **could** result in **death or serious injury**.



CAUTION: Indicates a potentially hazardous situation which, if not avoided, **may** result in **minor or moderate injury**.

NOTICE: Indicates a practice **not related to personal injury** which, if not avoided, **may** result in **property damage**.



Denotes risk of electric shock.



Denotes risk of fire.



WARNING: To reduce the risk of injury, read the instruction manual.

General Power Tool Safety Warnings



WARNING! Read all safety warnings and all instructions. Failure to follow the warnings and instructions may result in electric shock, fire and/or serious injury.

SAVE ALL WARNINGS AND INSTRUCTIONS FOR FUTURE REFERENCE

The term "power tool" in the warnings refers to your mains-operated (corded) power tool or battery-operated (cordless) power tool.

1) WORK AREA SAFETY

- Keep work area clean and well lit.** Cluttered or dark areas invite accidents.
- Do not operate power tools in explosive atmospheres, such as in the presence of flammable liquids, gases or dust.** Power tools create sparks which may ignite the dust or fumes.
- Keep children and bystanders away while operating a power tool.** Distractions can cause you to lose control.

2) ELECTRICAL SAFETY

- Power tool plugs must match the outlet. Never modify the plug in any way. Do not use any adapter plugs with earthed (grounded) power tools.** Unmodified plugs and matching outlets will reduce risk of electric shock.
- Avoid body contact with earthed or grounded surfaces such as pipes, radiators, ranges and refrigerators.** There is an increased risk of electric shock if your body is earthed or grounded.
- Do not expose power tools to rain or wet conditions.** Water entering a power tool will increase the risk of electric shock.
- Do not abuse the cord. Never use the cord for carrying, pulling or unplugging the power tool. Keep cord away from heat, oil, sharp edges or moving parts.** Damaged or entangled cords increase the risk of electric shock.
- When operating a power tool outdoors, use an extension cord suitable for outdoor use.** Use of a cord suitable for outdoor use reduces the risk of electric shock.
- If operating a power tool in a damp location is unavoidable, use a residual current device (RCD) protected supply.** Use of an RCD reduces the risk of electric shock.

3) PERSONAL SAFETY

- Stay alert, watch what you are doing and use common sense when operating a power tool. Do not use a power tool while you are tired or under the influence of drugs, alcohol or medication.** A moment of inattention while operating power tools may result in serious personal injury.

- b) **Use personal protective equipment. Always wear eye protection.** Protective equipment such as dust mask, non-skid safety shoes, hard hat, or hearing protection used for appropriate conditions will reduce personal injuries.
 - c) **Prevent unintentional starting. Ensure the switch is in the off position before connecting to power source and/or battery pack, picking up or carrying the tool.** Carrying power tools with your finger on the switch or energising power tools that have the switch on invites accidents.
 - d) **Remove any adjusting key or wrench before turning the power tool on.** A wrench or a key left attached to a rotating part of the power tool may result in personal injury.
 - e) **Do not overreach. Keep proper footing and balance at all times.** This enables better control of the power tool in unexpected situations.
 - f) **Dress properly. Do not wear loose clothing or jewellery. Keep your hair, clothing and gloves away from moving parts.** Loose clothes, jewellery or long hair can be caught in moving parts.
 - g) **If devices are provided for the connection of dust extraction and collection facilities, ensure these are connected and properly used.** Use of dust collection can reduce dust-related hazards.
- e) **Maintain power tools. Check for misalignment or binding of moving parts, breakage of parts and any other condition that may affect the power tool's operation. If damaged, have the power tool repaired before use.** Many accidents are caused by poorly maintained power tools.
 - f) **Keep cutting tools sharp and clean.** Properly maintained cutting tools with sharp cutting edges are less likely to bind and are easier to control.
 - g) **Use the power tool, accessories and tool bits etc., in accordance with these instructions taking into account the working conditions and the work to be performed.** Use of the power tool for operations different from those intended could result in a hazardous situation.

5) SERVICE

- a) **Have your power tool serviced by a qualified repair person using only identical replacement parts.** This will ensure that the safety of the power tool is maintained.

ADDITIONAL SPECIFIC SAFETY RULES

Safety Instructions for All Operations

4) POWER TOOL USE AND CARE

- a) **Do not force the power tool. Use the correct power tool for your application.** The correct power tool will do the job better and safer at the rate for which it was designed.
 - b) **Do not use the power tool if the switch does not turn it on and off.** Any power tool that cannot be controlled with the switch is dangerous and must be repaired.
 - c) **Disconnect the plug from the power source and/or the battery pack from the power tool before making any adjustments, changing accessories, or storing power tools.** Such preventive safety measures reduce the risk of starting the power tool accidentally.
 - d) **Store idle power tools out of the reach of children and do not allow persons unfamiliar with the power tool or these instructions to operate the power tool.** Power tools are dangerous in the hands of untrained users.
- a) **This power tool is intended to function as a grinder. Read all safety warnings, instructions, illustrations and specifications provided with this power tool.** Failure to follow all instructions listed below may result in electric shock, fire and/or serious injury.
 - b) **Operations such as cutting-off, sander, wire brush or polisher are not recommended to be performed with this power tool.** Operations for which the power tool was not designed may create a hazard and cause personal injury.
 - c) **Do not use accessories which are not specifically designed and recommended by the tool manufacturer.** Just because the accessory can be attached to your power tool, it does not assure safe operation.
 - d) **The rated speed of the accessory must be at least equal to the maximum speed marked on the power tool.** Accessories running faster than their rated speed can break and fly apart.
 - e) **The outside diameter and the thickness of your accessory must be within the capacity rating of your power tool.** Incorrectly sized accessories cannot be adequately guarded or controlled.

- f) **Threaded mounting of accessories must match the grinder spindle thread. For accessories mounted by flanges, the arbour hole of the accessory must fit the locating diameter of the flange.** Accessories that do not match the mounting hardware of the power tool will run out of balance, vibrate excessively and may cause loss of control.
- g) **Do not use a damaged accessory. Before each use inspect the accessory such as abrasive wheel for chips and cracks, backing pad for cracks, tear or excess wear, wire brush for loose or cracked wires. If power tool or accessory is dropped, inspect for damage or install an undamaged accessory. After inspecting and installing an accessory, position yourself and bystanders away from the plane of the rotating accessory and run the power tool at maximum no-load speed for one minute.** Damaged accessories will normally break apart during this test time.
- h) **Wear personal protective equipment. Depending on application, use face shield, safety goggles or safety glasses. As appropriate, wear dust mask, hearing protectors, gloves and workshop apron capable of stopping small abrasive or workpiece fragments.** The eye protection must be capable of stopping flying debris generated by various operations. The dust mask or respirator must be capable of filtering particles generated by your operation. Prolonged exposure to high intensity noise may cause hearing loss.
- i) **Keep bystanders a safe distance away from work area. Anyone entering the work area must wear personal protective equipment.** Fragments of workpiece or of a broken accessory may fly away and cause injury beyond immediate area of operation.
- j) **Hold the power tool by insulated gripping surfaces only, when performing an operation where the cutting accessory may contact hidden wiring or its own cord.** Cutting accessory contacting a "live" wire may make exposed metal parts of the power tool "live" and could give the operator an electric shock.
- k) **Position the cord clear of the spinning accessory.** If you lose control, the cord may be cut or snagged and your hand or arm may be pulled into the spinning accessory.
- l) **Never lay the power tool down until the accessory has come to a complete stop.** The spinning accessory may grab the surface and pull the power tool out of your control.
- m) **Do not run the power tool while carrying it at your side.** Accidental contact with the spinning accessory could snag your clothing, pulling the accessory into your body.
- n) **Regularly clean the power tool's air vents.** The motor's fan will draw the dust inside the housing and excessive accumulation of powdered metal may cause electrical hazards.
- o) **Do not operate the power tool near flammable materials.** Sparks could ignite these materials.
- p) **Do not use accessories that require liquid coolants.** Using water or other liquid coolants may result in electrocution or shock.

FURTHER SAFETY INSTRUCTIONS FOR ALL OPERATIONS

Kickback and Related Warnings

Kickback is a sudden reaction to a pinched or snagged rotating wheel, backing pad, brush or any other accessory. Pinching or snagging causes rapid stalling of the rotating accessory which in turn causes the uncontrolled power tool to be forced in the direction opposite of the accessory's rotation at the point of the binding.

For example, if an abrasive wheel is snagged or pinched by the workpiece, the edge of the wheel that is entering into the pinch point can dig into the surface of the material causing the wheel to climb out or kick out. The wheel may either jump toward or away from the operator, depending on direction of the wheel's movement at the point of pinching. Abrasive wheels may also break under these conditions.

Kickback is the result of tool misuse and/or incorrect operating procedures or conditions and can be avoided by taking proper precautions as given below:

- Maintain a firm grip on the power tool and position your body and arm to allow you to resist kickback forces. Always use auxiliary handle, if provided, for maximum control over kickback or torque reaction during start up.** The operator can control torque reaction or kickback forces, if proper precautions are taken.
- Never place your hand near the rotating accessory.** Accessory may kickback over your hand.
- Do not position your body in the area where power tool will move if kickback occurs.**

Kickback will propel the tool in direction opposite to the wheel's movement at the point of snagging.

- d) **Use special care when working corners, sharp edges etc. Avoid bouncing and snagging the accessory.** Corners, sharp edges or bouncing have a tendency to snag the rotating accessory and cause loss of control or kickback.
- e) **Do not attach a saw chain woodcarving blade or toothed saw blade.** Such blades create frequent kickback and loss of control.

Safety Warnings Specific for Grinding Operations

- a) **Use only wheel types that are recommended for your power tool and the specific guard designed for the selected wheel.** Wheels for which the power tool was not designed cannot be adequately guarded and are unsafe.
- b) **The grinding surface of centre depressed wheels must be mounted below the plane of the guard lip.** An improperly mounted wheel that projects through the plane of the guard lip cannot be adequately protected.
- c) **The guard must be securely attached to the power tool and positioned for maximum safety, so the least amount of wheel is exposed towards the operator.** The guard helps to protect operator from broken wheel fragments and accidental contact with wheel and sparks that could ignite clothing.
- d) **Wheels must be used only for recommended applications. For example: do not grind with the side of cut-off wheel.** Abrasive cut-off wheels are intended for peripheral grinding, side forces applied to these wheels may cause them to shatter.
- e) **Always use undamaged wheel flanges that are of correct size and shape for your selected wheel.** Proper wheel flanges support the wheel thus reducing the possibility of wheel breakage. Flanges for cut-off wheels may be different from grinding wheel flanges.
- f) **Do not use worn down wheels from larger power tools.** Wheel intended for larger power tool is not suitable for the higher speed of a smaller tool and may burst.

Residual Risks

In spite of the application of the relevant safety regulations and the implementation of safety

devices, certain residual risks cannot be avoided. These are:

- Impairment of hearing
- Risk of personal injury due flying particles.
- Risk of burns due to accessories becoming hot during operation.
- Risk of personal injury due to prolonged use.
- Risk of dust from hazardous substances.

Tool Symbols

The following symbols are printed on the tool:



Read the instruction manual before use.



Please wear hearing protectors.



Please wear eye protection equipment.

POSITION OF DATE BARCODE (FIG. 1)

The date barcode (n), including the year of manufacturing, is printed on the tool housing.

E.g.:

2014 XX JN

Year of manufacturing

Package Content

This product package includes:

- 1 Angle grinder
- 1 Guard
- 1 Flange set
- 1 Spanner
- 1 Handle
- 1 Instruction manual
- Check the tool, parts, and accessories to see if they are damaged during transportation.
- Take a few moments to read and understand this manual before using the tool.

Description (Fig. 1)



WARNING: Never modify the power tool or any part of the tool, otherwise it may cause damage to the tool or result in personal injury.

- a. ON/OFF switch
- b. Spindle lock
- c. Guard

PURPOSE OF DESIGN

This angle grinder is designed especially for grinding.

Do not use sandpaper discs and grinding wheels other than those with depressed center.

Do not use the tool in wet conditions or environments in the presence of flammable liquids or gases.

This heavy-duty angle grinder is a professional power tool.

Do not allow children to come in contact with this tool. Inexperienced operators are required to use this tool under supervision.

Electrical Equipment Safety

Only one voltage is applicable to this tool. Be sure to check that the power supply corresponds to the voltage on the rating plate.



Your Stanley tool is equipped with double insulation, hence, it does not require to be earthed.

When the power cord is damaged, have it sent to a Stanley service center for replacement to specially prepared cables.

Using Extension Cords

If an extension cord is required, please select a 3-phase extension cord that has been inspected and matches the input power (see Technical Data) of this tool. The minimum conductor size is 1.5mm², maximum length is 30 meters.

When using a cable reel, be sure to pull out all the cables.

Assembly and Adjustment



WARNING: To minimize the danger of serious personal injury, please switch off the tool power and disconnect all plugs before adjusting or removing/installing any accessory. Before reassembling the tool, press and release the trigger switch to make sure the tool is already switched off.

Attaching and Removing the Wheel Guard (Fig. 2)



WARNING: To minimize the danger of serious personal injury, please switch off the tool power and disconnect all plugs before adjusting or removing/installing any accessory.

Before reassembling the tool, press and release the trigger switch to make sure the tool is already switched off.

ATTACHING THE GUARD

1. Place the angle grinder on a work bench, groove facing up.
2. Bring the flange of the guard (c) collar over the groove (i) of the gear housing.
3. Turn the guard (c) counterclockwise by 150 degrees.
4. Make sure that the screws (k) are tightened.

REMOVING THE GUARD

1. Loosen the screws (k) on the guard collar.
2. Pull up the guard (c).



WARNING: Do not operate the tool when the safety guard is not in place.

Note: Refer to the **grinding accessories chart** at the end of this section for accessories that can be used together with this angle grinder.

Attaching and Removing Grinding Wheels (Fig. 3, 4)



WARNING: Do not use damaged grinding wheels.

1. Place the tool on a work bench, groove facing up.
2. Attach the inner flange (d) correctly on the output shaft (e) (Fig. 3).
3. Place the grinding wheel (f) on the inner flange (d). When attaching a grinding wheel with a raised center, make sure that the raised center (g) faces the inner flange (d).
4. Tighten the outer flange (h) until the output shaft (e) (Fig. 4). When attaching the grinding wheel, the ring on top of the outer flange (h) must face the wheel.
5. Press the spindle lock (b) and prevent the spindle (e) from rotating until it locks in place.
6. Use the pin spanner to tighten the outer flange (h).

Preparation Before Use

- Attach the safety guard and appropriate abrasive or grinding wheels. Do not use abrasive or grinding wheels that are overly worn.
- Make sure that the inner and outer flanges are attached correctly.

- Make sure that the abrasive or grinding wheels are rotating in the direction of the arrows on the accessories and tool.

Operation (Fig. 5)

Instructions



WARNING: Always observe the safety instructions and applicable regulations.



WARNING: To minimize the danger of serious personal injury, please switch off the tool power and disconnect all plugs before adjusting or removing/installing any accessory. Before reassembling the tool, press and release the trigger switch to make sure the tool is already switched off.



WARNING:

- Make sure all materials to be grinded are secured in position.
- Apply slight pressure to the tool. Do not apply side pressure to the abrasive disc.
- Avoid overloading. If the tool becomes hot, let it spin for a few minutes with no load.

1. Be sure to hold the tool tightly with both hands (one hand on housing, the other on side handle). Start the tool and bring the grinding wheel on the workpiece.
2. Keep the edge of the wheel tilted at angle from 15 to 30 degrees against the surface of the workpiece.
3. When using a new grinding wheel, do not operate the wheel in the B direction, otherwise, it will cut into the workpiece. When the edge of wheel has been rounded off, you are free to operate the grinder in either the A or B direction.

Starting and Stopping (Fig. 1)



WARNING: Before using the tool, check whether the handle is tightened securely. Check whether the ON/OFF switch is working normally.

Before plugging in the tool to the power supply, check whether the switch is in the OFF (o) position when pressing the rear end of the switch.

To start the tool, press the rear end of the switch and slide it forward. Then press the front end of the switch to lock it. Press the rear end of the switch to stop the tool.



WARNING: Do not switch the tool on or off while under load conditions.

Proper Hand Position (Fig. 6)



WARNING: To reduce the risk of serious personal injury, **ALWAYS** use proper hand position as shown.



WARNING: To reduce the risk of serious personal injury, **ALWAYS** hold securely in anticipation of a sudden reaction.

Proper hand position requires one hand on the side handle (figure 1), with the other hand on the body of the tool, as shown in figure 6.

Switches



CAUTION: Hold the body of the tool firmly to maintain control of the tool at start up and during use and until the wheel or accessory stops rotating. Make sure the wheel has come to a complete stop before laying the tool down.

NOTE: To reduce unexpected tool movement, do not switch the tool on or off while under load conditions. Allow the grinder to run up to full speed before touching the work surface. Lift the tool from the surface before turning the tool off. Allow the tool to stop rotating before putting it down.

SLIDER SWITCH (Fig. 1)



WARNING: Before connecting the tool to a power supply, be sure the slider switch is in the off position by pressing the rear part of the switch and releasing. Ensure the slider switch is in the off position as described above after any interruption in power supply to the tool, such as the activation of a ground fault interrupter, throwing of a circuit breaker, accidental unplugging, or power failure. If the slider switch is locked on when the power is connected, the tool will start unexpectedly.

To start the tool, slide the slider switch (a) toward the front of the tool. To stop the tool, release the slider switch. For continuous operation, slide the switch toward the front of the tool and press the forward part of the switch inward. To stop the tool while operating in continuous mode, press the rear part of the slider switch and release.

Spindle lock (Fig. 1)

The spindle lock (b) prevents the output shaft from rotating when attaching or removing the grinding wheel. Only use the spindle lock when the tool is switched off, power is unplugged, and wheel stops completely.



NOTE: To minimize tool damages, don't use the spindle lock when the tool is operating. Otherwise, it may damage the tool. The attached accessories may come off and cause injury.

If using the spindle lock, press the spindle lock button and rotate the output shaft until it stops.

Application on Metals

When applying the tool on metals, make sure that a residual-current device (RCD) is inserted to prevent danger from metal chips.

If the RCD causes power disconnection, have the tool sent to an authorized Stanley dealer for repair.



WARNING: Under extreme working conditions, conductive dust and grit may accumulate on the housing interior when handling metal workpieces. This could create an electric shock hazard as it weakens the protective insulation in the grinder.

To avoid accumulation of metal chips in the interior of the grinder, we recommend cleaning the ventilation ducts daily. Refer to **Maintenance**.

Using Grinding Wheels



WARNING: Metal powder accumulates. Excessive use of the grinding wheel on metals may increase the risk of electric shock. To reduce the risk, insert the RCD before use and clean the ventilation ducts daily. Follow the maintenance instructions below to blow dry compressed air into the ventilation ducts.

Maintenance

Stanley power tools have been designed to operate over a long period of time with minimal maintenance. Continuous satisfactory operation depends upon proper tool care and regular cleaning.



WARNING: To minimize the danger of serious personal injury, please switch off the tool power and disconnect all plugs before adjusting

or removing/installing any accessory.

Before reassembling the tool, press and release the trigger switch to make sure the tool is already switched off.



Lubrication

This power tool does not require separate lubrication.



Cleaning



WARNING: Once visible dust accumulates on the ventilation ducts and the surrounding, immediately use dry air to blow away dust and grit out of the interior of the housing. You need to wear approved eye and facial protective gear when performing this process.



WARNING: Never use solvents or harsh chemicals to clean non-metal parts of the tool. These chemicals may weaken the material of the parts. Use only mild soap and damp cloth to clean the tool. Never let any liquid get inside the tool; never immerse any part of the tool into liquid.

Accessories



WARNING: Excluding accessories provided by Stanley, all other accessories have not been tested for product compatibility. Using such accessories together with this tool may cause safety hazards. To minimize the risk of personal injury, we recommend you to use only Stanley accessories with this product.

Please inquire at your dealer for more information regarding suitable accessories.

Protecting The Environment



Sorting and Recycling. This product is not to be disposed of with normal household waste.

In the event that you need to replace your Stanley product or if it is of no further use to you, please do not dispose of it together with household waste. Please sort it out for separate recycling.



Sorting out and recycling used products and packaging ensure usable materials are recycled and reused. Reusing reusable materials helps to prevent environmental pollution and reduce the demand for raw materials.

Regulations may stipulate your local city council and new product retailers to provide waste disposal centers or electrical product recycling service.

Stanley provides collection and recycling of end-of-life products. To enjoy this service, please have the product sent back to any authorized dealer for recycling.

Remarks

- *Stanley's policy is one of continuous improvement to our products and as such, we reserve the right to modify product specifications without prior notice.*
- *Standard equipment and accessories may vary by country.*
- *Product specifications may differ by country.*
- *Complete product range may not be available in all countries. Contact your local Stanley dealers for range availability.*

砂輪機

STGS6100 / STGS7100

技術資料

		STGS6100	STGS7100
輸入功率	W	680	710
空載轉速/額定			
速度	min ⁻¹	11,000	11,000
砂輪直徑	mm	100	100
砂輪厚度	mm	6	6
砂輪類型		27	27
軸心直徑		M10	M10
重量	kg	1.8	1.8

定義：安全指南

以下定義描述了每一個詞彙的嚴重程度。請閱讀本手冊並注意這些符號。



危險：表示緊急危險情況，若未能避免，**將導致死亡或嚴重傷害。**



警告：表示潛在危險情況，若未能避免，**可能導致死亡或嚴重傷害。**



小心：表示潛在危險情況，若未能避免，**可能導致輕微或中度傷害。**

注意：表示一種**非人身傷害**的行為，若未能避免，**可能導致財產損失。**



表示觸電危險。



表示火災危險。



警告：為了降低受傷的風險，必須仔細閱讀使用手冊。

電動工具一般安全警告



警告！請閱讀所有安全警告及使用指示。不遵循這些警告和指示可能會導致觸電、火災及/或嚴重傷害。

請妥善保存所有的警告和使用手冊以備將來查閱

警告中的名詞「電動工具」是指電源驅動（插電）電動工具，或者電池驅動（充電）電動工具。

1) 工作場地安全

- 保持工作場地清潔和明亮。**混亂或黑暗的場地會引發事故。
- b) 不要在易爆環境，如有易燃液體、氣體或塵埃的環境中操作電動工具。**電動工具產生的火花會點燃塵埃或氣體。
- 請等待兒童和旁觀者離開之後才操縱電動工具。**分心會導致您疏於控制。

2) 電氣安全

- 電動工具插頭必須與插座相符。**切勿以任何方式改裝插頭。需接地的電動工具不能**使用任何配接器插頭**。未經改裝的插頭和相符的插座可以減少觸電危險。
- 避免人體接觸接地表面，如管道、散熱片、爐灶和冰箱。**若您的身體接地，可增加觸電危險。
- 不得將電動工具暴露在雨中或潮濕環境中。**水進入電動工具會增加觸電危險。
- 切勿濫用電線。**請勿使用電線來搬運、拉動電動工具或拔出插頭。讓電線遠離熱、油、銳邊和活動部件。受損或纏繞的電線會增加觸電危險。
- 若要在戶外使用電動工具，請使用適合戶外使用的延長電纜。**使用適合戶外使用的電線可減少觸電危險。
- 若必須在潮濕場合使用電動工具，請使用漏電保護器 (RCD)。**使用 RCD 可降低觸電危險。

3) 人身安全

- 保持警覺；**在操作電動工具時，請留意所執行的操作並按照一般的常識執行。切勿在疲倦，或受到藥物、酒精或治療的影響下操作電動工具。操作電動工具期間注意力分散會導致嚴重人身傷害。

- b) **使用個人防護裝置。始終佩戴護目裝備。**防護裝置，例如在適當條件下可使用的防塵面具、防滑安全鞋、安全帽或聽力保護等裝置可減少人身傷害。
- c) **避免意外啟動。連接電源及/或電池組、舉抬或搬運電動工具之前，請確定開關處於關閉位置。**搬運電動工具時若將手指放在開關上，或是在接通開關電源時插入插頭都會引發危險。
- d) **接通電動工具之前，請卸下所有的調整鑰匙或扳手。**遺留在電動工具旋轉部件上的扳手或鑰匙會導致人身傷害。
- e) **不要過度伸張雙手。時刻注意腳下和身體的平衡。**如此即可在發生意外的情況下更好地控制電動工具。
- f) **適當穿著。不要穿寬鬆衣服或佩戴飾品。**讓您的頭髮、衣服和手套遠離活動部件。寬鬆衣服、佩飾和長髮可能會捲入活動部件。
- g) **若配備用於連接排屑裝置、集塵設備的裝置，請確定正確連接和使用這些裝置。**使用集塵設備可減少與塵埃有關的危險。
- e) **維護電動工具。檢查活動部件是否對準或卡住、破損情況以及是否存在影響電動工具運行的其他情況。若有損毀，必須在使用之前修理電動工具。**許多事故都是由於電動工具欠缺維護所導致。
- f) **保持刀具鋒利和清潔。**妥善維護、切削鋒利的切割工具不會輕易卡住並可更輕鬆控制。
- g) **遵循使用指示以及工作條件和所要執行的工作使用電動工具、配件和工具刀頭等。**不按照設計目使用電動工具將會導致危險。

5) 檢修

- a) **本電動工具必須由合格的維修人員並只採用相同的原廠部件來執行檢修。**這將確保電動工具的安全性。

砂輪機的其他特殊安全 所有操作之安全指示

- a) **本電動工具適合作打磨工具。請閱讀本電動工具隨附的所有安全警告、指示、圖示和規格。**不遵循下列的所有指示可能會導致觸電、火災及/或嚴重傷害。
- b) **不建議使用本電動工具進行切割、砂光、鋼絲刷或拋光等操作。**將電動工具用於非專用的操作會引發危險並導致人身傷害。
- c) **切勿使用非工具製造廠商專門設計及推薦的配件。**就算配件可裝到電動工具上，這並不代表它能確保安全操作。
- d) **配件的額定速度必須至少相等於電動工具上所標示的最大速度。**配件以比其額定速度大的速度運行可能會引發爆裂和飛濺。
- e) **配件的外徑與厚度必須在電動工具的額定能力範圍內。**錯誤尺寸的配件將無法得到充分保護或控制。
- f) **砂輪、凸緣、支撐墊或任何其他配件的軸孔尺寸必須適合於安裝到電動工具的心軸上。**軸孔與電動工具安裝硬件不相配的配件將會失衡、過度震動並會引起失控。

4) 電動工具的使用與維護

- a) **不要超負荷使用電動工具。根據您的用途使用適當的電動工具。**使用適當的電動工具在其設計可負荷的應用內，會讓您更有效、更安全地執行工作。
- b) **若開關不能開啟或關閉電源，切勿使用該電動工具。**不能用開關來控制的電動工具將存在危險，必須進行維修。
- c) **在執行任何調整、更換配件或儲存電動工具之前，請從電源上拔掉插頭及/或卸下電池組。**這類防護性措施可降低電動工具意外啟動的風險。
- d) **將閒置的電動工具儲存在兒童無法接觸的地方，並且不要讓不熟悉電動工具或對這些使用指示不瞭解的人員操作電動工具。**電動工具在未經培訓的使用者手中會發生危險。

- g) **切勿使用已損壞的配件。每次使用前，請檢查配件，例如檢查砂輪是否有碎裂和裂縫，檢查支撐墊是否有裂縫、撕裂或過度磨損，檢查鋼絲刷是否鬆動或鋼絲是否斷裂。若電動工具或配件跌落，請檢查是否損毀，或立即安裝未破損的配件。檢查並安裝配件後，讓自己和旁觀者遠離配件的旋轉範圍，並讓電動工具以最大的空載速度運行一分鐘。受損配件一般會在此測試過程中碎裂。**
- h) **佩戴個人防護裝置。根據適用情況，使用面罩、安全護目鏡或防護眼鏡。適用時，佩戴防塵面具、聽力保護器、手套及能阻擋細小磨料或工件碎片的工作圍裙。護目裝備必須能夠擋住各種操作所產生的飛屑。防塵面具或口罩必須能夠過濾各種操作所產生的顆粒。長期暴露於高強度噪音中可能會使聽力受損。**
- i) **讓旁觀者與工作場地保持一定安全距離。任何進入工作場地的人員都必須佩戴個人防護裝置。工件或受損配件的碎片可能會飛出並導致緊靠著操作區域的旁觀者受到傷害。**
- j) **若在執行操作時切削配件可能會接觸隱藏的電線或它本身的電線，則只能從絕緣手柄表面握住電動工具。若切削配件接觸到「帶電」導線，電動工具金屬部件表面就會「帶電」，從而導致操作人員觸電。**
- k) **讓電線遠離旋轉的配件。若控制不當，電線可能會被切斷或纏繞，並可能使您的手或手臂被捲入旋轉配件中。**
- l) **直到配件完全停止運動才放下電動工具。旋轉的配件可能會抓住表面並拉動電動工具，讓您失去對工具的控制。**
- m) **攜帶電動工具時不要啟動它。意外接觸旋轉配件可能會纏繞您的衣服，使配件傷害您的身體。**
- n) **定期清理電動工具的通風口。電動機風扇會將灰塵吸進機殼，過多的金屬粉塵沉積可能會導致電氣危險。**
- o) **請勿在易燃材料附近操作電動工具。火星可能會點燃這些材料。**
- p) **請勿使用需要冷卻液的配件。用水或其他冷卻液可能會導致觸電或觸電致死。**

所有操作之進一步安全指示

反衝和相關警告

反衝是因卡住或纏繞住的旋轉砂輪、支撐墊、鋼絲刷或任何其他配件而產生的突然反作用力。卡住或纏繞會引起旋轉配件迅速失速，隨之使失控的電動工具在卡住點產生與配件旋轉方向相反的運動。

例如，若砂輪被工件纏繞或卡住，伸入卡住點的砂輪邊緣可能會進入材料表面，從而引起砂輪爬出或反衝。砂輪可能會飛向或飛離操作人員，這取決於砂輪在卡住點的運動方向。在此條件下，砂輪也可能會碎裂。

反衝是由於電動工具使用不當及/或不正確的操作程序或條件而導致。可透過採取下列適當的預防措施而避免：

- a) **保持緊握電動工具，調整身體和手臂位置，以應對反衝。如有輔助手柄，則要一直使用，以最大限度地控制啟動時的反衝力或反扭矩。若採取合適的預防措施，操作人員即可以控制反扭矩或反衝力。**
- b) **切勿將手靠近旋轉配件。配件可能會反衝碰到手。**
- c) **請勿站在發生反衝時電動工具可能移動到的位置。反衝將在纏繞點促使工具逆砂輪運動方向運動。**
- d) **處理尖角、銳邊等時請格外小心。避免附件跳彈和被纏繞住。尖角、銳邊或彈跳可能會纏繞旋轉配件並引起失控或反衝。**
- e) **切勿附裝上鋸鏈木雕鋸片或帶齒鋸片。此類鋸片會產生頻繁的反衝和失控。**

針對打磨操作的安全警告

- 只使用為電動工具所推薦的砂輪型號及為所選砂輪專門設計的防護罩。**不是專為電動工具設計的砂輪無法得到充分保護，是不安全的。
- 防護罩必須牢固地裝在電動工具上，且放置在最安全的地方，以便最大限度地降低暴露在操作人員面前的砂輪面積。**防護罩有助於保護操作人員免于受到爆裂砂輪碎片和意外觸及砂輪與可燃衣物之火花之危險。
- 砂輪只可用於所推薦的用途。例如，不要使用切割砂輪的側面進行打磨。**切割砂輪設計用於圓周打磨，施加到砂輪側面的側力可能會使其碎裂。
- 始終為所選砂輪選用未損毀、尺寸及形狀正確的砂輪凸緣。**合適的砂輪凸緣可支撐砂輪，從而減小砂輪破裂的可能性。切割砂輪的凸緣可能與打磨砂輪的凸緣不同。
- 切勿使用大規格電動工具上用剩的磨損砂輪。**用於大規格電動工具的砂輪不適於較小規格工具的高速工況並可能會爆裂。



請佩戴聽力保護器。



請佩戴護目裝備。

日期條碼的位置 (圖 1)

日期條碼 (n) 包括製造年份，已經印刷在工具外殼上。

範例：

2014 XX 週數
製造年份

套裝內的物件

本產品包裝包括：

- 1 角磨機
- 1 防護罩
- 1 凸緣套件
- 1 扳手
- 1 手柄
- 1 使用手冊

- 檢查工具、部件或配件有否在運送途中損壞。
- 操作前，請抽空閱讀和掌握本手冊的內容。

剩餘風險

即使應用有關的安全規定並採用安全設備，仍然還有一些無法避免的剩餘風險。危險包括：

- 聽力受損。
- 飛散的碎片引起的人身傷害風險。
- 操作過程中配件變熱引起的灼傷風險。
- 長時間使用引起的人身傷害風險。
- 危害物質粉塵引起的風險。

工具符號

工具上印有下列符號：



使用之前請閱讀使用手冊。

說明 (圖 1)



警告：切勿改裝本電動工具或其任何部件，否則可能導致工具損壞或人身傷害。

- 電源開/關
- 心軸鎖
- 防護罩

設計用途

本砂輪機專為打磨操作而設計。

切勿使用中心凹陷的砂紙盤和砂輪以外的砂輪。

切勿在潮濕有水或存有易燃液體或氣體的環境下使用本工具。

本重型砂輪機是專業電動工具。

請勿讓兒童接觸此工具。缺乏經驗的操作人員需要在監督下使用本工具。

電氣設備安全

本工具只適用一種電壓。請務必檢查電源電壓是否與銘牌一致。



Stanley 工具配有雙重絕緣，因此無需接地線。

如果電源線損毀，請將其送至 Stanley 維修中心更換特製的電纜。

使用延長電纜

若需要使用延長電纜，請選擇經過檢測並且適合本工具的電源輸入（參見技術資料）的 3 相延長電纜。導體的最小尺寸為 1.5 平方公釐；最長為 30 米。

使用電纜捲筒時，確保把電纜完全展開。

裝配與調整



警告：為了減低造成嚴重人身傷害的風險，在進行任何調整或卸下/安裝任何配件之前，切記關閉工具的電源並斷開所有插頭。重新裝配工具之前，請按下並鬆開觸發開關以確保工具已關閉。

安裝及卸下砂輪防護罩（圖 2）



警告：為了減低造成嚴重人身傷害的風險，在進行任何調整或卸下/安裝任何配件之前，切記關閉工具的電源並斷開所有插頭。重新裝配工具之前，請按下並鬆開觸發開關以確保工具已關閉。

安裝防護罩

1. 將角磨機放置於工作台上，使鑿子槽朝上。
2. 將防護罩 (c) 環的凸緣擺置於齒輪箱的鑿子槽 (i) 之上。
3. 逆時針旋轉防護罩 (c) 150 度。
4. 確保螺絲 (k) 已擰緊。

卸下防護罩

1. 擰鬆防護罩環上的螺絲 (k)。
2. 拉出防護罩 (c)。



警告：未安裝防護罩時，切勿操作工具。

註：請參閱本節結束處的打磨配件圖表，查看可與角磨機配合使用的其他配件。

安裝及卸下砂輪（圖 3、4）



警告：請勿使用受損的砂輪。

1. 將工具放置在工作台上，槽朝上。
2. 在輸出軸 (e) 上正確安裝內部凸緣 (d)（圖 3）。
3. 將砂輪 (f) 放置在內部凸緣 (d) 上。當安裝中心凸起的砂輪時，請確保凸起中心 (g) 面向內部凸緣 (d)。
4. 將外部凸緣 (h) 擰入輸出軸 (e) 中（圖 4）。安裝砂輪時，外部凸緣 (h) 頂部的環必須面向砂輪。
5. 按下心軸鎖 (b)，防止輸出軸 (e) 旋轉直至其鎖定到位。
6. 使用帶銷扳手擰緊外部凸緣 (h)。

使用前的準備工作

- 安裝防護罩和相應的磨輪或砂輪。不要使用過度磨損的磨輪或砂輪。
- 確保內部和外部凸緣已正確安裝。
- 確保磨輪或砂輪按配件和工具上的箭頭方向旋轉。

操作 (圖 5)

說明



警告：務必遵守安全指示和適用的規則。



警告：為了減低造成嚴重人身傷害的風險，在進行任何調整或卸下/安裝任何配件之前，切記關閉工具的電源並斷開所有插頭。重新裝配工具之前，請按下並鬆開觸發開關以確保工具已關閉。



警告：

- 確保所有要打磨的材料已固定到位。
- 輕輕地對工具施加壓力。
- 請勿對砂盤施加側壓力。
- 避免過載。若工具變熱，請讓其空載運行幾分鐘。

1. 確保使用雙手緊握工具（一只手握住外殼，另一只手握住側手柄）。啟動工具，然後將砂輪移至工件上。
2. 保持砂輪與工件表面成 15 至 30 度的傾斜角。
3. 使用新砂輪時，不要在 B 方向上操作砂輪，否則砂輪會切割工件。當砂輪的邊緣已磨圓滑後，您可以自由選擇在 A 或 B 方向上操作角磨機。

啟動和停止 (圖 1)



警告：使用工具之前，請檢查手柄是否牢固擰緊。檢查電源開關是否正常工作。

將工具連接到電源之前，檢查按下開關後部時開關是否處於關閉 (o) 位置。

若要啟動工具，請按下開關後部並向前滑動。然後按下開關前部，將其鎖定。按下開關後部可停止工具。



警告：切勿在負載情況下接通和關閉工具電源。

正確的雙手放置位置 (圖 6)



警告：為了減低造成嚴重人身傷害的風險，務必如圖示那樣正確放置雙手。



警告：為了減低造成嚴重人身傷害的風險，預期有突然反應時務必握緊。

正確的雙手放置位置是一隻手放在側手柄 (圖 1) 上，另一隻手握住工具主體，如圖 6 所示。

開關



小心：緊握工具主體以在啟動時和使用過程中保持對工具的控制，直到砂輪或配件停止旋轉。確保砂輪完全停止後才放下工具。

註：若要減少工具意外移動，切勿在負載情況下開啟或關閉工具。允許角磨機運行達到全速後再接觸工作表面。從工作表面提起工具，然後再關閉工具。允許工具停止旋轉後再將其放下。

滑動開關 (圖 1)



警告：將工具連接到電源之前，按下滑動開關的後部，然後鬆開，確保開關處於關閉位置。在工具的電源出現中斷後，如啟動接地故障斷路器、丟棄斷路器、意外拔下插頭或斷電，如上面所述確保滑動開關處於關閉位置。若連接電源後滑動開關鎖定為開啟狀態，工具將會意外啟動。

若要啟動工具，請將滑動開關 (a) 滑向工具的前方。若要停止工具，請釋放滑動開關。若要執行持續操作，請將開關滑向工具的前方並向內按開關的前部。若要在持續操作模式停止工具，請按下滑動開關的後部，然後鬆開。

心軸鎖 (圖 1)

心軸鎖 (b) 可在安裝或卸下砂輪時防止輸出軸旋轉。只能在工具關閉、拔出電源插頭且砂輪已完全停止時使用心軸鎖。



註：為了最大程度減少工具的損壞，切勿在工具運行時使用心軸鎖。否則，可能會損壞工具。安裝的配件可能會脫落並造成傷害。

若正在使用心軸鎖，請按下心軸鎖按鈕並旋轉輸出軸，直到其停止。

金屬打磨應用

在金屬工件上使用本工具時，確保已插入漏電保護器 (RCD) 以避免金屬碎片導致的危險。

若 RCD 導致斷電，請將工具送至 Stanley 的授權代理商處進行維修。



警告：在極端工作條件下，處理金屬工件時，機殼內部可能會積聚導電粉塵和碎屑。這可能會導致觸電危險，因為角磨機中的絕緣保護變弱。

若要避免在角磨機內部積聚金屬碎片，建議您每天清理通風管道。請參閱**維護**。

使用砂輪



警告：小心金屬粉末積聚。在金屬上過度使用砂輪可能會增加觸電的風險。若要減少風險，使用前請插入 RCD，並每天清理通風管道。按照下方的維護指示將乾燥的壓縮空氣吹入通風管道。

維護

Stanley 電動工具採用卓越的設計，能夠長時間使用，並且只需最少的維護。若要持續獲得滿意的操作效果，需進行正確的工具維護和定期的清潔。



警告：為了減低造成嚴重人身傷害的風險，在進行任何調整或卸下/安裝任何配件之前，切記關閉工具的電源並斷開所有插頭。重新裝配工具之前，

請按下並鬆開觸發開關以確保工具已關閉。



潤滑

本電動工具無需另外潤滑。



清潔



警告：一旦通風管道及其周圍積聚可見的粉塵，請立即使用乾燥的空氣吹掉外殼內的粉塵和碎屑。執行此程序時，請佩戴經認可的眼部和面部防護裝備。



警告：切勿使用溶劑或刺激性化學品來清潔工具的非金屬部件。這些化學品可能會削弱零件的材料。請僅使用中性的肥皂和濕布清洗工具。不要讓任何液體進入工具；不要讓工具的任何部分浸入液體中。

配件



警告：除 Stanley 提供的配件以外，所有其他配件均未進行過產品相容性測試。在本工具上使用這些配件可能會導致安全性危險。為降低人身傷害危險，建議在本產品上僅使用 Stanley 的配件。

請諮詢您的代理商，瞭解適用配件的更多相關資訊。

保護環境



分類與回收。本產品必須與一般家庭廢物分開處置。

若您需要更換 Stanley 產品，或您已經不再需要使用這些產品，請勿將其與家庭廢物一併處置。請將其分類以進行單獨回收。



分類回收用過的產品和包裝確保有用的材料能夠循環再生利用。循環利用材料有助於防止環境污染，並降低對原材料的需求。

有關法規可能要求當地市政和新產品零售商提供廢物處置中心或電子產品回收服務。

Stanley 為使用壽命結束的產品提供收集和回收服務。若要享受此項服務，請將產品送回至任何授權回收代理商處。

附註

- Stanley 的政策是持續改善我們的產品，因此，我們保留隨時修改產品規格的權利，恕不另行通知。
- 標準裝置和配件可能會根據不同的國家/地區而有所不同。
- 產品規格可能會根據不同的國家而有所不同。
- 並非所有的國家/地區都將提供完整的產品系列。如需瞭解產品系列的供應情況，請聯絡您當地的 Stanley 代理商。

進口商: 永安實業股份有限公司

地址: 新北市三重區新北大道二段137號

電話: 02-29994633

앵글 그라인더

STGS6100 / STGS7100

기술 데이터

		STGS6100	STGS7100
입력 전원	W	680	710
무부하 속도/ 정격 속도	분	11,000	11,000
휠 직경	mm	100	100
연마 휠 두께	mm	6	6
스핀들 직경		M10	M10
무게	kg	1.8	1.8

정의: 안전 지침

다음 정의는 각 경고 문구의 심각도를 설명합니다. 사용 설명서를 읽고 다음 기호들에 유의하십시오.



위험: 절박한 위험 상태를 나타내며, 방지하지 않으면 **사망 또는 심각한 부상을 초래합니다.**



경고: 잠재적 위험 상태를 나타내며, 방지하지 않으면 **사망 또는 심각한 부상을 초래할 수 있습니다.**



주의: 잠재적으로 위험한 상태를 나타내며, 방지하지 않으면 **경미하거나 가벼운 부상을 초래할 수 있습니다.**

참고: 신체 부상을 초래하지 않는 행위를 나타내며 방지하지 않으면 **재산상의 손해**가 발생할 수 있습니다.



감전 위험을 나타냅니다.



화재 위험을 나타냅니다.



경고: 부상 위험을 줄이려면 사용 설명서를 숙지하십시오.

전동 공구에 관한 일반 안전 경고



경고! 안전 경고와 지시사항을 모두 읽으십시오. 경고 및 지시 사항을 준수하지 않으면 감전, 화재 및/또는 심각한 부상을 초래할 수 있습니다.

향후 참고할 수 있도록 모든 경고 및 지시 사항을 보관해두십시오.

경고에서 사용된 "전동 공구"라는 용어는 주 공급 전원에 의해 전기가 공급되는(유선) 전동 공구 또는 충전식(무선) 전동 공구를 의미합니다.

1) 작업장 안전

- 작업 영역을 청결하고 밝게 유지하십시오. 혼잡하거나 어두운 작업장에서는 사고가 발생하기 쉽습니다.
- 가연성 액체, 가스 또는 먼지 등 폭발 가능성이 있는 환경에서 전동 공구를 사용하지 마십시오. 전동 공구에서 먼지나 가스를 발화시킬 수 있는 불꽃이 될 수 있습니다
- 전동 공구로 작업하는 동안에는 어린이와 주변 사람들이 작업 영역에 가까이 들어오지 못하도록 하십시오. 주변이 산만해져 통제력을 잃을 수 있습니다.

2) 전기 안전

- 전동 공구의 플러그는 콘센트와 형식이 일치해야 합니다. 플러그를 어떤 방식으로든 절대 개조하지 마십시오. 접지된(지면 접지) 전동 공구에 어떤 어댑터 플러그도 사용하지 마십시오. 개조되지 않은 플러그 및 형식이 일치하는 콘센트를 사용하면 감전 위험이 줄어듭니다.
- 파이프, 라디에이터, 렌즈 및 냉장고 등과 같이 접지된 표면에 몸이 닿지 않도록 하십시오. 신체가 접지되어 있으면 감전 위험이 높아집니다.
- 전동 공구를 비 또는 습한 환경에 노출하지 않도록 주의하십시오. 전동 공구에 물이 들어가면 감전 위험이 높아집니다.
- 코드를 함부로 다루지 마십시오. 코드를 사용하여 전동 공구를 운반하거나 잡아당기거나 플러그를 뽑지 마십시오. 열, 오일, 날카로운 모서리 또는 움직임은 부품에서 멀리 떨어진 장소에 코드를 보관하십시오. 코드가 손상되거나 얽혀 있으면 감전 위험이 높아집니다.
- 전동 공구를 실외에서 사용할 때는 실외 사용에 적합한 연장 코드를 사용하십시오. 실외 사용에 적합한 코드를 사용하면 감전 위험이 줄어듭니다.
- 어쩔 수 없이 습한 장소에서 전동 공구를 사용해야 하는 경우에는 누전 차단기(RCD)로 보호된 전원 공급 장치를 사용하십시오. RCD를 사용하면 감전 위험이 줄어듭니다.

3) 신체 안전

- a) **전동 공구로 작업할 때는 방심하지 말고 작업에 주의하면서 상식에 따르십시오.** 피곤한 상태이거나 약물, 술, 치료제를 복용한 상태에서는 전동 공구를 사용하지 마십시오. 전동 공구를 사용하는 중에 주의력을 잃어 순간적으로 부상을 당할 수 있습니다.
 - b) **신체 보호 장비를 착용하십시오. 항상 보안경을 착용하십시오.** 적합한 상황에서 방진 마스크, 미끄럼 방지 안전화, 안전모 또는 청력 보호 기구 등의 보호 장비를 사용하면 신체 부상 위험이 줄어듭니다.
 - c) **갑작스러운 장비 가동을 방지하십시오. 전원 및/또는 배터리 팩에 연결한 상태로 공구를 선택 또는 운반할 때는 사전에 스위치가 꺼짐 위치에 있는지 반드시 확인하십시오.** 스위치가 켜짐 위치에 있는 상태에서 스위치에 손가락이 닿은 상태로 전동 공구를 운반하거나 전동 공구에 전원을 공급하면 사고가 발생합니다.
 - d) **전동 공구를 켜기 전에 모든 조정 키 또는 렌치를 제거하십시오.** 전동 공구의 회전 부품에 렌치나 키가 부착되어 있으면 부상을 당할 수 있습니다.
 - e) **무리하게 팔을 뻗지 마십시오. 항상 올바른 자세로 서서 균형을 유지하십시오.** 그러면 예기치 않은 상황에서의 전동 공구 제어 능력이 향상됩니다.
 - f) **적절한 의복을 착용하십시오. 헐렁한 옷이나 장신구를 착용하지 마십시오. 머리카락, 옷 및 장갑이 움직이는 부품에 닿지 않도록 유의하십시오.** 헐렁한 옷, 장신구 또는 긴 머리카락이 움직이는 부품에 걸 수 있습니다.
 - g) **먼지 배출 및 집진 시설 연결을 위한 장치가 제공된 경우, 이들 장치가 연결되어 적절히 사용되고 있는지 반드시 확인하십시오.** 집진 장치를 사용하면 먼지와 관련된 위험을 줄일 수 있습니다.
- 4) 전동 공구 사용 및 관리
- a) **전동 공구에 무리한 힘을 가하지 마십시오.** 해당 용도에 맞는 올바른 전동 공구를 사용하십시오. 올바른 전동 공구를 사용해야 설계된 속도로 작업을 더욱 안전하고 정확하게 수행할 수 있습니다.
 - b) **스위치 켜짐/꺼짐이 되지 않는 전동 공구는 사용하지 마십시오.** 스위치로 제어되지

않는 전동 공구는 위험하며 수리해야 합니다.

- c) **전동 공구를 조정하거나 액세서리를 변경하거나 보관하기 전에 전원 및/또는 배터리 팩에서 플러그를 빼십시오.** 전동 공구를 조정하거나 액세서리를 변경하거나 보관하기 전에 전원 및/또는 배터리 팩에서 플러그를 빼십시오. 이러한 예방적 안전 조치를 따라야 전동 공구가 갑자기 작동할 위험이 줄어듭니다.
- d) **사용하지 않는 전동 공구는 어린이의 손이 닿지 않는 곳에 보관하고, 전동 공구나 본지시 사항에 익숙하지 않은 사람이 전동 공구를 절대 사용하지 못하게 하십시오.** 전동 공구는 훈련을 받지 않은 사용자가 다루면 위험합니다.
- e) **전동 공구 유지 보수. 움직이는 부품의 잘못된 정렬이나 바인딩, 부품 파손 및 기타 전동 공구의 작동에 영향을 미칠 수 있는 기타 모든 상태를 확인하십시오.** 손상된 부분이 있는 경우 사용하기 전에 전동 공구를 수리하십시오. 많은 사고는 전동 공구를 제대로 유지 보수하지 않아 발생합니다.
- f) **절삭 공구를 예리하고 깨끗한 상태로 유지하십시오.** 절단식 가장자리를 예리하게 잘 유지하면 절단기를 사용할 때 바인딩이 적고 다루기가 용이합니다.
- g) **작업 환경과 수행할 작업을 고려하여, 본지시 사항에 따라 전동 공구, 액세서리 및 톨비트 등을 사용하십시오.** 본 사용 설명서의 내용과 다른 용도로 전동 공구를 사용하면 위험한 상황이 발생할 수 있습니다.

5) 정비

- a) **자격을 갖춘 기술자가 동일 교체 부품을 사용하여 정비 작업을 수행해야 합니다.** 그래야 전동 공구의 안전이 보장됩니다.

추가 특수 안전 규칙

모든 조작에서의 안전 지시 사항

- a) **이 전동 공구는 그라인더 공구로 사용할 수 있습니다. 이 전동 공구와 함께 제공되는 모든 안전 경고와 지시사항, 설명 및 사양을 읽으십시오.** 아래 설명한 모든 지시 사항을 따르지 않으면 감전, 화재 및/또는 심각한 부상을 초래할 수 있습니다.

- b) 절삭, 샌더, 와이어 브러시 또는 광택기 등의 작업은 이 전동 공구로 수행하기에 적합하지 않습니다. 전동 공구 설계 용도 이외의 작업은 위험 및 부상을 유발할 수 있습니다.
- c) 공구 제조업체가 구체적으로 설계하고 권장하지 않은 액세서리는 사용하지 마십시오. 전동 공구에 부착할 수 있다고 해서 반드시 안전하게 조작할 수 있는 것은 아닙니다.
- d) 액세서리의 정격 속도는 최소한 전동 공구에 표기되어 있는 최대 속도와 같아야 합니다. 정격 속도보다 빠르게 작동하는 액세서리는 파손되어 튕겨 나갈 수 있습니다.
- e) 액세서리의 외경 및 두께는 사용하는 전동 공구의 용량 등급 이내이어야 합니다. 잘못된 규격의 액세서리는 제대로 보호하거나 제어할 수 없습니다.
- f) 휠, 만조, 이면 패드 또는 기타 액세서리의 주축 크기는 전동 공구의 스피들에 꼭 맞아야 합니다. 주축 구멍이 전동 공구에 장착할 하드웨어와 맞지 않는 액세서리는 균형을 잃어 과도하게 진동하며 통제할 수 없게 됩니다.
- g) 손상된 액세서리는 사용하지 마십시오. 사용 전에 항상 액세서리를 검사해 연삭 휠이 깎이거나 갈라지지 않았는지, 이면 패드가 갈라지거나 찢어지거나 과도하게 마모되지 않았는지, 와이어 브러시의 와이어가 느슨하거나 갈라지지 않았는지 확인하십시오. 전동 공구나 액세서리를 떨어뜨린 경우에는 손상된 부분이 없는지 검사하고 손상된 부분이 있을 경우 손상되지 않은 액세서리를 설치하십시오. 액세서리를 검사 및 설치한 뒤 회전하는 액세서리 작업대에서 멀리 거리를 유지하고 전동 공구를 1분 간 최대 무부하 속도로 작동시키십시오. 액세서리가 손상된 경우 보통 이 테스트 중에 떨어져 나갑니다.
- h) 신체 보호 장비를 착용하십시오. 용도에 따라 안면보호구, 안전 고글 또는 보안경을 이용하십시오. 필요에 따라 연마휠 또는 가공품 파편을 막을 수 있는 마스크, 청력보호구, 장갑 및 앞치마를 착용하십시오. 보안경은 다양한 작업으로 인해 생성되는 비산 파편들을 차단할 수 있어야 합니다. 마스크나 방독 마스크는 작업으로 인해 생성되는 먼지를 거를 수 있어야 합니다. 높은 소음에 오랫동안 노출되면 청력이 손상될 수 있습니다.
- i) 주변 사람들이 작업 영역으로부터 안전 거리를 유지하게 하십시오. 작업 영역에 들어오는

사람들은 모두 신체 보호 장구를 착용해야 합니다. 가공품 또는 손상된 액세서리 파편이 작업 중인 곳을 벗어나 멀리 날아가 부상을 입힐 수 있습니다.

- j) 절삭 액세서리가 숨겨진 배선 또는 자체 코드에 접촉할 수 있는 작업을 수행할 때는 절연된 손잡이 표면만 닿도록 하여 전동 공구를 잡으십시오. "전류가 흐르는" 전선에 접촉된 절삭 액세서리는 전동 공구의 노출된 금속 부분을 "전류가 흐르는" 상태로 만들어 작업자를 감전시킬 수 있습니다.
- k) 코드는 회전하는 액세서리에 닿지 않게 하십시오. 통제를 하지 못할 경우 코드가 잘리거나 감겨 작업자의 손이나 팔이 회전하는 액세서리에 끌려 들어갈 수 있습니다.
- l) 절대 액세서리가 완전히 멈출 때까지 전동 공구를 내려 놓지 마십시오. 회전 액세서리가 표면에 튕겨 전동 공구를 제어하지 못하게 될 수 있습니다.
- m) 전동 공구를 허리에 차고 이동할 때 작동시키지 마십시오. 회전 액세서리와 실수로 닿게 되면 옷이 휘감겨 액세서리가 신체에 박힐 수 있습니다.
- n) 전동 공구의 통풍구를 주기적으로 청소하십시오. 모터의 팬은 하우징 내부로 먼지를 흡입하는데 금속 가루가 너무 많이 쌓이면 전기 장치가 고장 날 수 있습니다.
- o) 가연성 물질 근처에서 전동 공구를 작동시키지 마십시오. 스파크로 인해 점화가 될 수 있습니다.
- p) 냉각용 액체가 필요한 액세서리는 사용하지 마십시오. 물이나 기타 액체 냉매를 이용하면 감전사 또는 감전될 수 있습니다.

모든 조작에서의 추가 안전 지시 사항

반동 및 관련 경고

반동이란 회전하는 휠, 이면 패드, 브러시 또는 기타 액세서리가 꼭 끼거나 장애물에 걸려 생기는 갑작스런 반작용을 의미합니다. 장애물에 끼거나 걸리면 회전하는 액세서리가 급속히 감속되어 통제력을 잃은 전동 공구가 걸린 지점에서 액세서리 회전 방향과 반대되는 방향으로 밀립니다.

예를 들어, 연삭 휠이 가공품에 걸리거나 낄 경우 긴 지점으로 들어가는 휠 가장자리가 가공물의 표면을 파고 들어 휠이 튀어 나올 수 있습니다. 끼인 지점에서의 휠 운동 방향에 따라 휠이 작업자 쪽 또는 반대 방향으로 튈 수 있습니다. 이런 환경에서 연마 휠도 파손될 수 있습니다.

반동은 공구를 잘못 사용하거나 잘못된 조작 절차 또는 조건으로 인해 발생할 수 있으며 아래와 같은 올바른 예방 조치를 통해 막을 수 있습니다.

- a) **전동 공구를 꼭 쥐고 반발력에 저항할 수 있는 자세를 유지하십시오.** 반동이나 시동 중의 토크 반발력을 최대한 제어할 수 있도록 보조 핸들이 있으면 항상 이용하십시오. 작업자가 적절한 예방 조치를 취하면 토크 반발력이나 반동력을 제어할 수 있습니다.
- b) **절대 회전하는 액세서리 가까이에 손을 두지 마십시오.** 액세서리가 손에 튈 수 있습니다.
- c) **반동으로 인해 전동 공구가 튈 수 있는 곳에 자리잡지 마십시오.** 반동은 휠이 걸린 지점에서의 휠 움직임과 반대 방향으로 공구가 튀게 합니다.
- d) **모서리, 날카로운 가장자리 등을 가공할 때는 특히 주의하십시오.** 액세서리가 튀거나 걸리지 않게 하십시오. 모서리, 날카로운 가장자리 또는 탄력 있는 부분에는 회전 액세서리가 걸려 통제력을 잃거나 튀어 오르기 쉽습니다.
- e) **전기톱 목공용 날이나 톱니가 있는 톱날을 부착하지 마십시오.** 이런 톱날은 반동이 생기거나 통제력을 잃게 되는 경우가 잦습니다.

연마 작업에서의 안전 경고

- a) **당신의 전동공구에 권장되는 유형의 휠만 사용하고, 그 정해진 휠에 맞는 특정 안전커버를 사용하십시오.** 전동 공구의 설계에 적합하지 않은 휠은 제대로 보호할 수 없어 안전하지 않습니다.
- b) **최대한의 안전을 위해 가드는 전동 공구에 단단히 장착하고 작업자를 향한 휠 노출이 최소화되도록 배치해야 합니다.** 가드는 작업자 옷을 태울 수 있는 스파크 및 실수로 닿을 수 있는 휠 파편으로부터 작업자를 보호해 줍니다.
- c) **휠은 권장 용도로만 사용해야 합니다. 예: 절단 휠의 측면으로 연마 작업을 하지 마십시오.** 연삭 절단 휠은 원주 연삭용이며

휠의 측면에서 힘을 주면 산산이 부서질 수 있습니다.

- d) **선택한 휠에 맞는 크기와 모양의 손상되지 않은 휠 플랜지를 사용하십시오.** 적합한 휠 플랜지는 휠을 지지해 휠 파손 가능성을 줄여줍니다. 절단 휠용 플랜지는 연마 휠 플랜지와 다를 수 있습니다.
- e) **더 큰 전동 공구에서 사용했던 마모된 휠을 사용하지 마십시오.** 더 큰 전동 공구용으로 제작된 휠은 작은 공구의 높은 속도에 적합하지 않아 파열될 수 있습니다.

기타 발생 가능한 위험

관련된 안전 규정을 준수하고 안전 장치를 사용한다고 해도 특정한 위험은 피할 수 없습니다. 이러한 위험은 다음과 같습니다.

- 청력 손상
- 파편 날림으로 인한 신체 부상 위험.
- 작업 중 뜨거워지는 액세서리로 인한 화상 위험.
- 장시간 사용으로 인한 신체 부상의 위험.
- 유해 물질에서 발생하는 먼지 위험.

공구 기호

공구에는 다음과 같은 기호가 인쇄되어 있습니다.



사용하기 전에 사용 설명서의 내용을 숙지하십시오.



청력 보호구를 착용하십시오.



보안경을 착용하십시오.

데이터 바코드 위치(그림 1)

제조년도가 포함되어 있는 데이터 바코드(n)은 공구 하우징에 인쇄되어 있습니다.

예:

2014 XX JN

제조년도

포장 내용물

이 제품의 포장 내용물:

- 1 앵글 그라인더
- 1 가드
- 1 플랜지 세트
- 1 스페너
- 1 핸들
- 1 사용 설명서
- 운반 중에 공구, 부품 및 액세서리가 손상되지 않았는지 확인하십시오.
- 공구를 사용하기 전에 시간을 내어 본 사용 설명서를 읽고 숙지하십시오.

설명(그림 1)



경고: 전동 공구 또는 전동 공구의 어떤 부품도 절대 개조하지 마십시오. 제품이 파손되거나 신체 부상을 당할 수도 있습니다.

- a. 켜짐/꺼짐 스위치
- b. 스피들 잠금 장치
- c. 가드

설계 목적

이 앵글 그라인더는 특히나 연마용에 가깝게 설계되었습니다.

디프레스 센터 휠 이외의 사포 디스크 또는 연마 휠 사용하지 마십시오.

습한 환경이나 자연성 액체 또는 가스가 있는 장소에서 사용하지 마십시오.

이 헤비듀티 앵글 그라인더는 전문적인 전동 공구입니다.

어린이가 이 공구를 만지지 않도록 하십시오. 경험이 없는 작업자가 이 공구를 사용할 때는 감독자의 지도가 필요합니다.

전기 장비 안전

이 공구에는 한 개의 전압만 적용할 수 있습니다. 전원이 전동기 네임 플레이트에 기재된 전압과 일치하는지 확인하십시오.



스탠리 공구는 이중 절연되어 있으므로 접지할 필요가 없습니다.

전원 코드가 손상되면, 스탠리 서비스 센터로 보내 특별히 준비된 케이블로 교체를 받으십시오.

연장 코드 사용

연장 코드가 필요할 경우, 이 공구의 입력 전원 (기술 데이터 참조)과 일치하고 검사를 받은 3 단계 연장 코드를 선택하십시오. 최소 도체 크기는 1.5mm², 최대 길이는 30 m입니다.

케이블 릴을 사용할 때는 모든 케이블을 빼 내십시오.

조립 및 조정



경고: 심각한 부상의 위험을 최소화하려면, 조정하거나 액세서리를 제거/설치하기 전에 공구 전원을 끄고 모든 플러그를 빼십시오. 공구를 다시 조립하기 전에, 트리거 스위치를 눌렀다 놓아서 공구가 이미 꺼졌는지 확인하십시오.

휠 가드 장착 및 분리(그림 2)



경고: 심각한 부상의 위험을 최소화하려면, 조정하거나 액세서리를 제거/설치하기 전에 공구 전원을 끄고 모든 플러그를 빼십시오. 공구를 다시 조립하기 전에, 트리거 스위치를 눌렀다 놓아서 공구가 이미 꺼졌는지 확인하십시오.

가드 장착

1. 흠이 위쪽을 향하도록 앵글 그라인더를 작업대에 놓습니다.
2. 가드(c) 카라를 기어 하우징의 홈(i) 위로 가져갑니다.
3. 150도까지 가드(c)를 시계 반대 방향으로 돌립니다.
4. 나사(k)가 조여졌는지 확인하십시오.

가드 분리

1. 가드 카라의 나사(k)를 풀니다.
2. 가드(c)를 위로 당깁니다.



경고: 안전 가드가 제자리에 있지 않을 때는 공구를 조작하지 마십시오.

참고: 이 앵글 그라인더와 함께 사용할 수 있는 다른 액세서리를 보려면 이 단원의 끝부분에 있는 연마 액세서리 차트를 참조하십시오.

연마 휠 장착 및 분리(그림 3, 4)



경고: 손상된 연마 휠은 사용하지 마십시오.

1. 홈이 위쪽을 향하도록 공구를 작업대에 놓습니다.
2. 내부 만조(d)를 출력축(e)에 정확하게 장착합니다(그림 3).
3. 연마 휠(f)을 내부 만조(d)에 놓습니다. 중앙(g)을 올린 상태에서 연마 휠을 장착할 때는, 율려져 있는 중앙(g)이 내부 만조(d)를 향하는지 확인하십시오.
4. 출력축(e)까지 외부 만조(h)를 조입니다(그림 4). 연마 휠을 장착할 때는, 외부 만조(h) 상단에 있는 링이 휠을 향해야 합니다.
5. 스프링 잠금 장치(b)를 누르고 제자리에 잠길 때까지 스프링들(e)이 회전하지 않도록 합니다.
6. 핀 스패너를 사용하여 외부 만조(h)를 조입니다.

사용 전 준비

- 안전 가드와 해당하는 연삭 또는 연마 휠을 장착합니다. 너무 마모된 연삭 또는 연마 휠은 사용하지 마십시오.
- 내부 및 외부 만조가 정확하게 장착되어 있는지 확인하십시오.
- 연마 휠이 액세서리 및 공구의 화살표 방향으로 회전하고 있는지 확인하십시오.

조작(그림 5)

안전 지침



경고: 안전 지시 사항과 해당 규정을 항상 준수하십시오.



경고: 심각한 부상의 위험을 최소화하려면, 조정하거나 액세서리를 제거/설치하기 전에 공구 전원을 끄고 모든 플러그를 빼십시오. 공구를 다시 조립하기 전에, 공구가 이미 꺼졌는지 확인할 수 있도록 트리거 스위치를 눌렀다 놓으십시오.



경고:
• 연마할 모든 재료가 제자리에 고정되어 있는지 확인하십시오.

- 공구에 압력을 약하게 주십시오. 연마용 디스크에 측면압력을 가하지 마십시오.
- 과부하를 피하십시오. 공구가 뜨거워질 경우, 부하 없이 몇 분간 돌리십시오.

1. 양손으로 공구를 단단히 잡으십시오(한 손은 하우징, 다른 손은 사이드 핸들). 공구를 시작하고 연마 휠을 작업물에 가져다 놓으십시오.
2. 휠의 가장자리가 가공물의 표면에 대해 15~30도로 기울어지도록 유지합니다.
3. 새 연마 휠을 사용할 때는, B 방향으로 휠을 조작하지 마십시오. 그렇지 않으면 작업물이 잘립니다. 연마 휠의 가장자리가 동글어지면, 그라인더를 A 또는 B 방향으로 조작할 수 있습니다.

시작 및 정지(그림 1)



경고: 공구를 사용하기 전에 핸들이 단단히 조여졌는지 확인하십시오. 켜짐/꺼짐 스위치가 정상적으로 작동하는지 확인하십시오.

공구를 전원에 연결하기 전에 스위치의 뒤쪽을 눌렀을 때 스위치가 꺼짐(o) 위치에 있는지 확인하십시오.

공구를 시작하려면, 스위치의 뒤쪽을 누르고 앞으로 밀니다. 그런 다음 스위치 앞쪽을 눌러 잠급니다. 스위치의 뒤쪽을 눌러 공구를 정지하십시오.



경고: 부하가 걸려 있을 때는 공구를 켜거나 끄지 마십시오.

올바른 손의 위치(그림 6)



경고: 심각한 신체 부상의 위험을 줄이려면, 항상 그림과 같이 올바르게 손을 위치하십시오.



경고: 심각한 신체 부상의 위험을 줄이려면, 항상 급작스러운 반응을 예상하고 확실하게 잡으십시오.

적절한 손의 위치는 그림 6과 같이 한 손은 사이드 핸들(그림 1)에 두고, 다른 손은 공구의 몸체에 두어야 합니다.

스위치



주의: 공구 작동을 시작할 때 및 공구 사용 중에, 그리고 휠이나 액세서리가 회전을 멈출 때까지 공구를 통제할 수 있도록 공구 몸체를 단단하게 잡으십시오. 공구를 놓혀 놓기 전에 휠이 완전히 멈추었는지 확인하십시오.

참고: 예기치 않은 공구의 움직임을 줄이려면 부하가 걸려 있을 때는 공구를 켜거나 끄지 마십시오. 작업면에 닿기 전에 그라인더가 최대 속도로 작동하도록 하십시오. 공구를 끄기 전에 작업면에서 공구를 들어 올리십시오. 내려 놓기 전에 공구가 회전을 멈추게 하십시오.

슬라이더 스위치(그림 1)



경고: 공구를 전원에 연결하기 전에, 스위치의 뒤쪽을 눌렀다 놓아서 슬라이더 스위치가 꺼짐 위치에 있는지 확인하십시오. GFI(ground fault interrupter) 작동, 회로 누전 차단기 끊김, 우발적인 플러그 분리 또는 정전과 같은 원인으로 공구에 대한 전원 공급이 중단되면 위의 설명에서와 같이 슬라이더 스위치가 꺼짐 위치에 있는지 확인하십시오. 전원에 연결되었을 때 슬라이더 스위치가 잠긴 상태일 경우 공구가 갑자기 작동됩니다.

공구를 시작하려면, 슬라이더 스위치(a)를 공구 앞쪽으로 밀니다. 공구를 정지하려면, 슬라이더 스위치를 놓습니다. 연속 작동을 위해, 스위치를 공구 앞쪽으로 밀고 스위치 안쪽의 앞쪽을 누릅니다. 연속 모드에서 작동 중일 때 공구를 멈추려면 슬라이더 스위치의 뒤쪽을 눌렀다가 놓습니다.

스핀들 잠금(그림 1)

스핀들 잠금장치(b)는 연마 휠을 장착하거나 제거할 때 출력축이 회전하지 않도록 해줍니다. 공구 전원이 꺼져 있고, 전원 플러그가 뽑혀 있고 휠이 완전히 정지해 있을 때만 스핀들 잠금장치를 사용하십시오.



참고: 공구 손상을 최소화하려면, 공구가 작동 중일 때 스핀들 잠금장치를 사용하지 마십시오. 그렇지 않으면, 공구가 손상될 수 있습니다. 장착한 액세서리가 떨어져 부상을 당할 수 있습니다.

스핀들 잠금장치를 사용하는 경우, 스핀들 잠금장치 버튼을 누르고 정지할 때까지 장갑을 낀 손으로 조금씩 출력축을 회전시킵니다.

금속 응용

금속에서 공구를 사용할 때는, 금속 조각으로 인한 위험을 방지하기 위해 누전 차단기(RCD)를 반드시 끼우십시오.

RCD로 인해 전원 차단이 발생하는 경우, 공구를 스탠리 판매점으로 보내 수리를 맡기십시오.



경고: 극심한 작업 조건에서는 금속 작업물 처리 시 전도성 먼지 및 모래가 기계 하우징 내부에 축적될 수 있습니다. 이로 인해 그라인더에 보호용 절연 기능이 약화되어, 감전 위험이 발생할 수 있습니다.

그라인더 내부에 금속 조각이 쌓이지 않도록 하려면, 통기판을 매일 청소할 것을 권장합니다. 유지보수를 참조하십시오.

연마 휠 사용



경고: 금속 가루가 쌓입니다. 금속에서 연마 휠을 과도하게 사용하면 감전의 위험이 증가할 수 있습니다. 위험을 줄이려면 사용하기 전에 RCD를 끼우고 매일 통기판을 청소하십시오. 아래의 유지보수 지침에 따라 통기판으로 건조한 압축 공기를 불어 넣으십시오.

유지 보수

스탠리 전동 공구는 최소한의 유지보수로 장기간에 걸쳐 작업이 가능하도록 설계되어 있습니다. 만족스러운 연속 작동은 적절한 공구 관리와 정기적인 청소에 따라 그 성능이 달라질 수 있습니다.



경고: 심각한 부상의 위험을 최소화하려면, 조정하거나 액세서리를 제거/설치하기 전에 공구 전원을 끄고 모든 플러그를 빼십시오. 공구를 다시 조립하기 전에, 슬라이드 스위치를 눌렀다 놓아서 공구가 이미 꺼졌는지 확인하십시오.



윤활방법

이 전동 공구는 별도의 윤활이 필요하지 않습니다.



청소



경고: 통기관과 그 주위에 눈에 보이는 먼지가 쌓이면, 즉시 건조 에어기를 사용하여 하우징 내부에서 먼지와 모래를 불어 날리십시오. 이러한 작업을 수행할 때는 눈과 얼굴 보호 장구를 착용해야 합니다.



경고: 공구의 비금속 부품을 청소하기 위해 용제 또는 강력한 화학제품을 사용하지 마십시오. 이러한 화학제품이 부품의 재질을 약화시킬 수 있습니다. 공구를 청소할 때는 중성 세척제와 젖은 헝겊만 사용하십시오. 공구 내부에 액체를 넣거나 공구 부품을 액체에 담그는 행동은 절대 금물입니다.

액세서리



경고: 공구에 맞게 권장 되는 액세서리를 제외한 모든 다른 액세서리는 제품 호환성에 대해 테스트되지 않았습니다. 이 공구에 그러한 액세서리를 함께 사용하면 안전상의 위험을 초래할 수 있습니다. 부상의 위험을 최소화하려면, 본 제품에 권장되는 액세서리만 사용하십시오.

적합한 액세서리에 관한 자세한 정보는 판매점으로 문의하십시오.

환경 보호



선별 및 재활용 본 제품을 일반 가정용 쓰레기로 처리하면 안됩니다.

스탠리 제품을 교체해야 하거나 더 이상 쓸모가 없게 된 경우에는 본 제품을 가정용 쓰레기와 함께 처리하지 마십시오. 분리 재활용으로 분류하십시오.



사용한 제품과 포장재를 선별하고 재활용하면 사용 가능한 물질을 재활용하고 재사용할 수 있습니다. 사용 가능한 물질을 재사용하면 환경 오염이 방지되고 원자재에 대한 수요를 줄일 수 있습니다.

폐기물 처리 센터 또는 전기 제품 재활용 서비스를 제공하는 지역 공공기관 및 그 하부업체가 규정을 명기하고 있을 수 있습니다.

스탠리는 수명이 다한 제품을 수거하고 재활용합니다. 이러한 서비스를 사용하려면, 재활용할 수 있도록 제품을 공인 판매점으로 반환하십시오.

비고

- 스탠리의 정책은 제품을 지속적으로 개선시키는 것이기 때문에 사전 통지 없이 제품 사양이 변경될 수 있습니다.
- 기본 장비 및 액세서리 구성은 각 국가에 따라 다를 수 있습니다.
- 제품 사양은 국가에 따라 다를 수 있습니다.
- 국가에 따라 판매하지 않는 제품도 있을 수 있습니다. 제품 판매 여부는 해당 지역에 있는 스탠리 판매점으로 문의하십시오.

GERINDA SUDUT

STGS6100

Data Teknis

		STGS6100	STGS7100
Daya input	W	680	710
Kecepatan tanpa beban/ nilai kecepatan	min ⁻¹	11,000	11,000
Diameter piringan	mm	100	100
Ketebalan piringan penggerindaan	mm	6	6
Jenis piringan		27	27
Diameter kumparan		M10	M10
Berat	kg	1.8	1.8

Definisi: Pedoman Keselamatan

Definisi berikut ini menjelaskan tingkat bahaya untuk setiap kata sinyal. Harap baca buku petunjuk dan perhatikan simbol-simbol ini.



BAHAYA: Mengindikasikan situasi berbahaya yang tak terelakkan, yang jika tidak dihindari, **akan** mengakibatkan **kematian atau cedera berat**.



PERINGATAN: Mengindikasikan situasi berbahaya yang berpotensi terjadi, yang jika tidak dihindari, **dapat** mengakibatkan **kematian atau cedera berat**.



PERHATIAN: Mengindikasikan situasi berbahaya yang berpotensi terjadi, yang jika tidak dihindari, **dapat** mengakibatkan **cedera ringan atau sedang**.

PEMBERITAHUAN: Mengindikasikan suatu praktik yang **tidak berhubungan dengan cedera diri**, yang jika tidak dihindari, **mungkin** mengakibatkan **kerusakan barang**.



Menunjukkan adanya risiko sengatan listrik.



Menunjukkan risiko kebakaran.



PERINGATAN: Untuk mengurangi risiko cedera, baca buku petunjuk manual.

Peringatan Keselamatan Alat Listrik Umum



PERINGATAN! Baca seluruh peringatan keselamatan dan seluruh petunjuk. Kegagalan mengikuti peringatan dan instruksi dapat mengakibatkan sengatan listrik, kebakaran, dan/atau cedera berat.

SIMPAN SEMUA PERINGATAN DAN PETUNJUK UNTUK REFERENSI DI MASA MENDATANG

Istilah "alat listrik" dalam peringatan merujuk pada alat listrik beroperasi listrik induk (berkabel) atau alat listrik beroperasi baterai (nirkabel).

1) KESELAMATAN AREA KERJA

- Jaga agar area kerja tetap bersih dan terang.** Area yang berantakan atau gelap berpotensi mengakibatkan kecelakaan.
- Jangan mengoperasikan alat listrik di lingkungan yang mudah menimbulkan bahaya ledakan, seperti di tempat yang terdapat cairan, gas, atau debu yang mudah terbakar.** Alat listrik menimbulkan percikan api yang dapat menyulut debu atau asap.
- Jauhkan anak-anak dan orang yang berada di sekitar, sewaktu mengoperasikan alat listrik.** Gangguan dapat menyebabkan Anda kehilangan kendali.

2) KESELAMATAN KELISTRIKAN

- Steker alat listrik harus sesuai dengan soketnya.** Jangan pernah memodifikasi steker dengan cara apa pun. Jangan gunakan steker adaptor apa pun dengan alat listrik yang dibumikan (grounded). Steker yang tidak dimodifikasi dan stopkontak yang sesuai akan mengurangi risiko sengatan listrik.
- Hindari kontak badan dengan permukaan yang dibumikan (grounded), seperti pipa, radiator, kompor, dan kulkas.** Risiko sengatan listrik dapat meningkat jika tubuh Anda bersentuhan dengan permukaan yang dibumikan.
- Jangan sampai alat listrik ini terkena hujan atau terpapar ke kondisi yang basah.** Air yang masuk ke alat listrik akan meningkatkan risiko sengatan listrik.
- Jangan menyalahgunakan kabel.** Jangan sekali-kali menggunakan kabel untuk membawa, menarik, atau mencabut alat listrik. Jauhkan kabel dari panas, minyak, tepi tajam, atau komponen yang bergerak. Kabel yang rusak atau terbelit meningkatkan risiko sengatan listrik.

- e) **Bila mengoperasikan alat listrik di luar ruangan, gunakan kabel sambungan yang sesuai untuk penggunaan di luar ruangan.** Menggunakan kabel yang sesuai untuk penggunaan di luar ruangan akan mengurangi risiko sengatan listrik.
- f) **Jika penggunaan alat listrik di lokasi yang lembap tidak dapat dihindari, gunakan suplai yang terlindung oleh perangkat arus sisa (RCD).** Penggunaan RCD akan mengurangi risiko sengatan listrik.

3) KESELAMATAN DIRI

- a) **Tetap waspada, perhatikan apa yang Anda kerjakan dan gunakan akal sehat saat mengoperasikan alat listrik. Jangan mengoperasikan alat listrik bila Anda sedang lelah, atau berada di bawah pengaruh obat, alkohol, atau pengobatan.** Kelengahan sesaat saja saat mengoperasikan alat listrik dapat mengakibatkan cedera diri serius.
- b) **Gunakan peralatan pelindung diri. Selalu kenakan alat pelindung mata.** Peralatan pelindung, seperti masker debu, sepatu keselamatan antiselip, helm proyek, atau pelindung telinga yang digunakan untuk kondisi yang sesuai akan mengurangi risiko cedera diri.
- c) **Hindari menyalakan alat tanpa disengaja.** Pastikan bahwa sakelar sudah dalam posisi mati sebelum menghubungkannya ke sumber listrik dan/atau baterai, mengambil, atau membawa alat. Membawa alat listrik dengan jari Anda masih menempel pada tombol atau menghidupkan alat listrik yang tombolnya masih menyala akan berpotensi mengakibatkan kecelakaan.
- d) **Lepaskan semua kunci setelan atau kunci pas sebelum menghidupkan alat listrik.** Kunci pas atau kunci yang dibiarkan terpasang pada komponen alat listrik yang berputar dapat mengakibatkan cedera diri.
- e) **Jangan menjangkau melampaui batas. Selalu jaga pijakan dan keseimbangan yang baik.** Hal ini memungkinkan Anda untuk mengendalikan alat listrik secara lebih baik dalam situasi yang tidak terduga.
- f) **Kenakan pakaian yang sesuai. Jangan mengenakan pakaian longgar atau perhiasan. Jauhkan rambut, pakaian dan sarung tangan dari komponen yang bergerak.** Pakaian yang longgar, perhiasan atau rambut panjang dapat tersangkut pada komponen yang bergerak.
- g) **Jika disediakan perangkat untuk sambungan fasilitas pengeluaran dan pengumpulan debu, pastikan alat ini dihubungkan dan**

digunakan dengan sesuai. Penggunaan alat pengumpul debu dapat mengurangi bahaya yang ditimbulkan oleh debu.

4) PENGGUNAAN DAN PERAWATAN ALAT LISTRIK

- a) **Jangan menggunakan alat listrik dengan paksa. Gunakan alat listrik yang sesuai untuk aplikasi Anda.** Alat listrik yang tepat akan bekerja lebih baik dan aman pada tingkat kelajuan yang telah dirancang untuk alat itu.
- b) **Jangan gunakan alat listrik ini jika tombol tidak dapat menghidupkan dan mematikan alat.** Alat listrik apa pun yang tidak dapat dikendalikan dengan tombol adalah berbahaya dan harus diperbaiki.
- c) **Lepaskan stopkontak dari sumber listrik dan/atau baterai dari alat listrik sebelum melakukan penyetelan apa pun, mengganti aksesoris, atau menyimpan alat listrik.** Tindakan pencegahan untuk keselamatan seperti itu akan mengurangi risiko menyalakan alat listrik secara tidak disengaja.
- d) **Simpan alat listrik yang tidak digunakan jauh dari jangkauan anak-anak, dan jangan membolehkan orang yang tidak memahami alat listrik atau petunjuk ini untuk mengoperasikannya.** Alat listrik dapat berbahaya bila digunakan oleh pengguna yang tidak terlatih.
- e) **Rawat alat listrik. Lakukan pemeriksaan untuk mengetahui apakah ada komponen bergerak yang tidak sejajar atau bengkok, komponen yang patah, dan kondisi lainnya yang dapat mempengaruhi pengoperasian alat listrik. Jika rusak, perbaiki alat listrik sebelum digunakan.** Banyak terjadi kecelakaan akibat alat listrik yang tidak terawat dengan baik.
- f) **Jaga ketajaman dan kebersihan alat pemotong.** Alat pemotong yang terawat dengan baik dengan mata potong yang tajam akan kecil kemungkinannya untuk macet serta lebih mudah untuk dikendalikan.
- g) **Gunakan alat listrik, aksesoris, dan mata bor, dsb. sesuai instruksi-instruksi ini, dengan memperhitungkan persyaratan kerja dan jenis pekerjaan yang harus dilakukan.** Penggunaan alat listrik untuk pengoperasian yang tidak sesuai dengan tujuan penggunaan dapat mengakibatkan situasi yang berbahaya.

5) SERVIS

- a) **Alat listrik sebaiknya diservis oleh teknisi yang berkualifikasi dan hanya menggunakan komponen pengganti yang persis sama.** Hal ini akan membuat keamanan alat listrik selalu terjaga.

ATURAN KESELAMATAN SPESIFIK TAMBAHAN

Petunjuk Keselamatan untuk Semua Operasi

- a) **Alat listrik ini ditujukan untuk penggunaan sebagai gerinda. Baca semua peringatan keamanan, instruksi, ilustrasi, dan spesifikasi yang disertakan bersama alat listrik ini.** Kegagalan mengikuti seluruh instruksi yang tercantum di bawah ini dapat mengakibatkan sengatan listrik, kebakaran, dan/atau cedera berat.
- b) **Pekerjaan seperti pengampelasan, penyikatan kawat, pemolesan, atau pemotongan tidak dianjurkan untuk dilakukan menggunakan alat listrik ini.** Pengoperasian yang tidak sesuai dengan tujuan alat listrik ini dibuat dapat mengakibatkan kecelakaan dan menimbulkan cedera diri.
- c) **Jangan gunakan aksesoris yang tidak dirancang khusus dan disarankan oleh pabrik pembuat alat.** Hanya karena aksesoris dapat dihubungkan pada alat listrik Anda, tidak menjamin pengoperasian yang aman.
- d) **Nilai kecepatan aksesoris harus minimal setara dengan kecepatan maksimum yang tertera pada alat listrik.** Aksesoris yang bekerja lebih cepat dari nilai kecepatannya dapat jebol dan hancur berantakan.
- e) **Diameter luar dan ketebalan aksesoris Anda harus tidak melebihi nilai kapasitas alat listrik.** Aksesoris yang ukurannya tidak sesuai tidak dapat dijaga atau dikendalikan dengan baik.
- f) **Ukuran punjung piringan, pinggiran piringan, bantalan penahan, atau aksesoris lainnya harus pas betul dengan kumparan alat listrik.** Aksesoris dengan lubang punjung yang tidak sesuai dengan kedudukan pada alat listrik akan kehilangan keseimbangan, bergetar hebat, dan mengakibatkan lepas kendali.
- g) **Jangan gunakan aksesoris yang rusak.** Setiap kali sebelum penggunaan, periksa aksesoris, ada/tidaknya serpihan dan rengat pada piringan abrasif, ada/tidaknya rengat, sobekan, atau aus berlebihan pada bantalan penahan, serta ada/tidaknya bulu-bulu sikat yang lepas atau rengat pada sikat kawat. Jika alat listrik atau aksesoris jatuh, periksa ada/tidaknya kerusakan, atau pasang aksesoris yang tidak rusak. Setelah memeriksa dan memasang aksesoris, posisikan diri Anda dan

orang di sekeliling menjauhi bidang aksesoris yang berputar, dan jalankan alat listrik pada kecepatan tanpa-beban maksimum selama satu menit. Aksesoris yang rusak biasanya akan jebol melalui ujian ini.

- h) **Kenakan peralatan pelindung diri. Tergantung pada aplikasi, gunakan topeng pelindung, kacamata kedap, atau kacamata pengaman. Bilamana perlu, gunakan masker debu, pelindung telinga, sarung tangan, dan apron bengkel yang dapat menghindarkan dari pecahan material atau serpihan abrasif.** Pelindung mata harus mampu mencegah masuknya serpih-serpih yang beterbangan dalam berbagai pengoperasian. Masker debu atau pelindung pernapasan harus mampu menyaring partikel-partikel yang ditimbulkan oleh operasi. Paparan berkepanjangan terhadap kebisingan tingkat tinggi dapat menimbulkan ketulian.
- i) **Pastikan orang-orang lain berada pada jarak aman dari area kerja. Siapa pun yang memasuki area kerja harus mengenakan peralatan pelindung diri.** Pecahan material atau aksesoris yang patah dapat melayang dan mengakibatkan cedera di luar area operasi.
- j) **Pegang alat listrik pada permukaan pegangan berpenyekat saat melakukan pengoperasian di mana aksesoris pemotong dapat bersentuhan dengan kabel tersembunyi atau kabelnya sendiri.** Aksesoris pemotong yang bersentuhan dengan kabel bertegangan listrik dapat mengalirkan arus listrik pada komponen logam alat listrik dan mengakibatkan sengatan listrik pada pengguna.
- k) **Posisikan kabel jauh dari aksesoris yang berputar.** Jika Anda kehilangan kendali, kabel dapat terpotong atau robek, dan tangan atau lengan Anda dapat tersedot masuk ke dalam aksesoris yang berputar.
- l) **Jangan pernah meletakkan alat listrik sampai aksesoris sudah berhenti total.** Aksesoris yang berputar dapat tersangkut pada permukaan material dan menarik alat listrik lepas dari kendali Anda.
- m) **Jangan menjalankan alat listrik saat membawanya di sisi tubuh Anda.** Kontak tak disengaja dengan aksesoris yang berputar dapat merobek pakaian Anda dan menarik aksesoris masuk dalam tubuh Anda.
- n) **Bersihkan lubang ventilasi alat listrik secara teratur.** Kipas motor akan menyedot debu masuk ke dalam alat, dan penumpukan serbuk logam yang berlebihan dapat mengakibatkan bahaya listrik.

- o) **Jangan jalankan alat listrik dekat bahan yang mudah terbakar.** Percikan api dapat membakar bahan tersebut.
- p) **Jangan gunakan aksesoris yang membutuhkan cairan pendingin.** Penggunaan air atau cairan pendingin lainnya dapat menimbulkan sengatan listrik atau shock.

PETUNJUK KESELAMATAN LEBIH LANJUT UNTUK SEMUA OPERASI

Reaksi Balik dan Peringatan Terkait

Reaksi balik adalah reaksi mendadak yang terjadi pada piringan berputar, bantalan penahan, sikat, atau aksesoris lainnya bila terjepit atau robek. Kondisi terjepit atau robek mengakibatkan penahanan aksesoris yang berputar dengan cepat, yang akhirnya memaksa alat listrik yang tak terkendali berputar ke arah berkebalikan dengan putaran aksesoris pada ikatannya.

Contoh: jika piringan abrasif terobek atau terjepit pada material kerja, maka ujung piringan yang masuk ke dalam jepitan itu dapat menghujam ke dalam permukaan material kerja dan mengakibatkan piringan keluar atau lepas. Piringan dapat melayang ke arah operator atau arah seberangannya, tergantung pada arah gerakan piringan pada saat terjepit. Piringan abrasif juga dapat jebol dalam keadaan semacam ini.

Reaksi balik merupakan dampak dari penyalahgunaan alat listrik dan/atau prosedur atau kondisi pengoperasian yang salah, dan dapat dihindari dengan jalan mengikuti langkah-langkah pencegahan di bawah ini:

- a) **Pegang alat listrik erat-erat dan posisikan tubuh dan lengan untuk memungkinkan Anda menahan daya reaksi balik. Selalu gunakan gagang pelengkap, jika tersedia, untuk pengendalian maksimum atas reaksi balik atau reaksi kopel pada saat mulai bekerja.** Operator dapat mengendalikan reaksi kopel atau daya reaksi balik jika sudah mengambil langkah pencegahan sebelumnya.
- b) **Jangan pernah letakkan tangan Anda dekat aksesoris yang berputar.** Aksesoris dapat bereaksi balik mengenai tangan Anda.
- c) **Jangan posisikan tubuh pada area yang dapat terkena alat listrik seandainya terjadi reaksi balik.** Reaksi balik akan melayangkan alat ke arah seberangannya dengan gerakan piringan pada titik perobekan.
- d) **Berhati-hatilah saat mengerjakan sudut, ujung-ujung tajam, dsb. Hindari pemantulan dan perobekan aksesoris.** Sudut, ujung tajam, atau pemantulan cenderung merobek aksesoris yang

berputar dan mengakibatkan hilangnya kendali atau reaksi balik.

- e) **Jangan memasang pisau ukir gergaji mesin atau pisau gergaji bergerigi.** Pisau-pisau semacam ini seringkali mengakibatkan reaksi balik dan hilangnya kendali.

Peringatan Keselamatan Khusus untuk Operasi Penggerindaan

- a) **Hanya gunakan jenis-jenis piringan yang disarankan untuk alat listrik Anda dan pelindung khusus yang dirancang untuk piringan tersebut.** Piringan yang tidak dirancang untuk alat listrik tidak dapat terlindung dengan benar dan tidak aman.
- b) **Pelindung harus terpasang dengan aman pada alat listrik dan diposisikan demi keselamatan maksimum, sehingga hanya sedikit saja bagian piringan yang terbuka ke arah operator.** Pelindung membantu melindungi operator dari pecahan piringan yang rusak dan kontak tak disengaja dengan piringan dan percikan api yang dapat membakar pakaian.
- c) **Piringan harus digunakan hanya untuk aplikasi yang disarankan. Misalnya: jangan menggerinda dengan sisi piringan pemotong.** Piringan pemotong abrasif ditujukan untuk penggerindaan mendarat, penggunaan menyamping pada piringan ini dapat membuatnya pecah.
- d) **Selalu gunakan pinggiran piringan yang tidak rusak, yang ukuran dan bentuknya sesuai dengan piringan yang Anda pilih.** Pinggiran piringan yang tepat berfungsi menahan piringan, dengan demikian mengurangi kemungkinan rusaknya piringan. Pinggiran piringan untuk piringan pemotong bisa jadi berbeda dari pinggiran piringan penggerinda.
- e) **Jangan gunakan piringan aus dari alat listrik yang lebih besar.** Piringan yang ditujukan bagi alat listrik yang lebih besar tidak cocok dengan kecepatan alat kecil yang lebih tinggi, sehingga dapat hancur.

Risiko-risiko lain

Sekalipun peraturan keselamatan terkait sudah diterapkan dan peralatan pengaman sudah digunakan, risiko-risiko lain tertentu tidak dapat dihindari. Antara lain:

- Kerusakan indera pendengaran
- Risiko cedera pribadi karena partikel-partikel yang beterbangan.

- Risiko luka bakar karena aksesoris menjadi panas selama operasi.
- Risiko cedera pribadi karena penggunaan berkepanjangan.
- Risiko debu dari zat-zat berbahaya.

Simbol Alat

Simbol-simbol berikut ini tertulis pada alat:



Baca buku petunjuk sebelum penggunaan.



Harap gunakan pelindung pendengaran.



Harap gunakan alat pelindung mata.

POSISI KODE BATANG TANGGAL (GBR. 1)

Kode batang tanggal (n), termasuk tahun produksi dicetak pada kerangka alat.

Mis.:

2014 XX JN

Tahun produksi

Isi Kemasan

Paket produk ini meliputi:

- 1 Gerinda sudut
 - 1 Pengaman
 - 1 Set piringan roda
 - 1 Perentang
 - 1 Gagang
 - 1 Buku petunjuk
- Periksa alat, komponen, dan aksesoris untuk melihat apakah rusak selama pengangkutan.
 - Luangkan beberapa waktu untuk membaca dan memahami petunjuk ini sebelum menggunakan alat.

Deskripsi (Gbr. 1)



PERINGATAN: Jangan pernah memodifikasi alat listrik atau komponen apa pun dari alat ini karena dapat menyebabkan kerusakan pada alat atau menyebabkan cedera diri.

- Sakelar NYALA/MATI
- Kunci kumparan
- Pengaman

TUJUAN DESAIN

Gerinda sudut ini dirancang khusus untuk penggerindaan.

Jangan gunakan cakram ampelas dan piringan penggerinda lain, selain piringan-piringan dengan pusat yang ditekan.

Jangan gunakan alat dalam kondisi basah atau di lingkungan dekat dengan cairan atau gas yang mudah terbakar.

Gerinda sudut untuk pekerjaan berat ini adalah alat listrik profesional.

Jangan biarkan anak-anak bersentuhan dengan alat ini. Dibutuhkan pengawasan bila alat ini digunakan oleh operator yang belum berpengalaman.

Keselamatan Peralatan Listrik

Hanya satu tegangan yang berlaku untuk alat ini. Pastikan untuk memeriksa bahwa catu daya sesuai dengan tegangan pada papan nilai.



Alat Stanley Anda dilengkapi dengan isolasi ganda, oleh karena itu tidak perlu dibumikan.

Bila kabel listrik rusak, kirim ke pusat layanan Stanley untuk diganti dengan kabel yang disiapkan secara khusus.

Menggunakan Kabel Perpanjangan

Jika kabel perpanjangan diperlukan, harap pilih kabel perpanjangan 3-fase yang telah diperiksa dan sesuai dengan daya input (lihat Data Teknis) dari alat ini. Ukuran konduktor minimum 1,5 mm²; panjang maksimum 30 m.

Bila menggunakan gulungan kabel, pastikan untuk menarik keluar semua kabel.

Perakitan dan Penyesuaian



PERINGATAN: Untuk meminimalkan bahaya cedera diri yang berat, matikan alat dan lepaskan semua soket sebelum menyesuaikan atau melepaskan/memasang aksesoris apa pun. Sebelum merangkai kembali alat, tekan dan lepas sakelar pemicu untuk memastikan bahwa alat sudah mati.

Memasang dan Melepas Pelindung Piringan (Gbr. 2)



PERINGATAN: Untuk meminimalkan bahaya cedera diri yang berat, matikan alat dan lepaskan semua

soket sebelum menyesuaikan atau melepaskan/memasang aksesoris apa pun. Sebelum merangkai kembali alat, tekan dan lepas sakelar pemicu untuk memastikan bahwa alat sudah mati.

MEMASANG PELINDUNG

1. Tempatkan gerinda sudut di atas meja kerja, dengan alurnya menghadap ke atas.
2. Masukkan pinggiran batang pelindung (c) melalui alur (f) kerangka roda gigi.
3. Putar pelindung (c) berlawanan arah jarum jam sebesar 150 derajat.
4. Pastikan bahwa sekrup (k) dikencangkan.

MELEPAS PELINDUNG

1. Kendurkan sekrup (k) pada batang pelindung.
2. Tarik pelindung ke atas (c).



PERINGATAN: Jangan mengoperasikan alat ketika pelindung pengaman tidak pada tempatnya.

Catatan: Lihat **bagian aksesoris penggerindaan** pada akhir bagian ini untuk berbagai aksesoris yang dapat digunakan bersama gerinda sudut ini.

Memasang dan Melepas Piringan Gerinda (Gbr. 3, 4)



PERINGATAN: Jangan gunakan piringan gerinda yang rusak.

1. Tempatkan alat di atas meja kerja, dengan alurnya menghadap ke atas.
2. Pasang pinggiran dalam (d) dengan tepat pada poros output (e) (Gbr. 3).
3. Tempatkan piringan gerinda (f) pada pinggiran dalam (d). Saat memasang piringan gerinda dengan bagian tengah yang timbul, pastikan bahwa bagian tengah yang timbul tersebut (g) menghadap ke pinggiran dalam (d).
4. Kencangkan pinggiran luar (h) sampai ke poros output (e) (Gbr. 4). Saat memasang piringan gerinda, cincin di bagian atas pinggiran luar (h) harus menghadap ke piringan.
5. Tekan pengunci poros (b) dan cegah poros (e) dari berputar hingga benar-benar terkunci pada tempatnya.
6. Gunakan perentang baut untuk mengencangkan pinggiran luar (h).

Persiapan Sebelum Digunakan

- Pasang pelindung pengaman dan piringan abrasif atau gerinda yang sesuai. Jangan gunakan piringan abrasif atau gerinda yang aus sama sekali.
- Pastikan bahwa pinggiran dalam dan luar terpasang dengan benar.
- Pastikan bahwa pinggiran abrasif atau gerinda berputar searah dengan tanda panah pada aksesoris dan alat.

Operasi (Gbr. 5)

Buku



PERINGATAN: Selalu patuhi petunjuk keselamatan dan peraturan yang berlaku.



PERINGATAN: Untuk meminimalkan bahaya cedera diri yang berat, matikan alat dan lepaskan semua soket sebelum menyesuaikan atau melepaskan/memasang aksesoris apa pun. Sebelum merangkai kembali alat, tekan dan lepas sakelar pemicu untuk memastikan bahwa alat sudah mati.



PERINGATAN:

- Pastikan semua material yang digerinda sudah diamankan pada tempatnya.
- Berikan sedikit tekanan pada alat. Jangan berikan tekanan samping pada cakram abrasif.
- Hindari beban berlebihan. Jika alat menjadi panas, biarkan alat berputar beberapa menit dalam kondisi tanpa beban.

1. Pastikan untuk memegang alat dengan erat menggunakan kedua tangan (satu tangan pada kerangka, tangan yang lain pada pegangan samping). Mulai alat dan terapkan piringan gerinda pada benda kerja.
2. Jaga ujung piringan tetap miring pada sudut dari 15 sampai 30 derajat terhadap permukaan benda kerja.
3. Saat menggunakan piringan gerinda yang baru, jangan operasikan piringan ke arah B, atau piringan akan memotong benda kerja. Saat ujung piringan telah dalam keadaan sempurna, Anda bebas untuk mengoperasikan gerinda baik ke arah A atau B.

Memulai dan Menghentikan (Gbr. 1)



PERINGATAN: Sebelum menggunakan alat, periksa apakah gagang sudah dieratkan dengan aman. Periksa apakah sakelar NYALA/MATI bekerja dengan normal.

Sebelum mencolokkan alat ke catu daya, periksa apakah sakelar sudah dalam posisi MATI (o) dengan cara menekan sisi belakang sakelar.

Untuk menyalakan alat, tekan sisi belakang sakelar dan geser ke depan. Lalu tekan sisi depan sakelar untuk menguncinya. Tekan sisi belakang sakelar untuk menghentikan alat.



PERINGATAN: Jangan menyalakan atau mematikan alat saat dalam kondisi dibebani.

Posisi Tangan Yang Benar (Gbr. 6)



PERINGATAN: Untuk mengurangi risiko cedera diri yang serius, **SELALU** gunakan posisi tangan yang tepat sesuai petunjuk gambar.



PERINGATAN: Untuk mengurangi risiko cedera diri yang serius, **SELALU** pegang dengan erat untuk mengantisipasi reaksi mendadak.

Posisi tangan yang benar mengharuskan Anda memegang gagang samping dengan satu tangan (gambar 1), sementara tangan yang lain memegang badan alat, seperti pada gambar 6.

Sakelar



PERHATIAN: Pegang erat badan alat untuk mempertahankan kendali atas alat pada saat menyalakan dan menggunakannya, dan sampai roda atau aksesoris berhenti berputar. Pastikan piringan sudah berhenti sepenuhnya sebelum meletakkannya.

CATATAN: Untuk mengurangi risiko pergerakan alat di luar dugaan, jangan nyalakan atau matikan sakelar dalam kondisi dibebani. Biarkan gerinda bekerja sampai mencapai kecepatan penuh sebelum menyentuhkannya pada permukaan material kerja. Angkat alat dari permukaan material sebelum mematikkannya. Tunggu sampai alat berhenti berputar sebelum meletakkannya.

SAKELAR PENGGESER (Gbr. 1)



PERINGATAN: Sebelum menghubungkan alat ke catu daya, pastikan bahwa sakelar

penggeser sudah dalam posisi mati, dengan cara menekan sisi belakang sakelar dan melepas. Pastikan sakelar penggeser sudah dalam posisi mati sebagaimana dijelaskan di atas setelah terjadi gangguan pasokan listrik pada alat, misalnya aktivasi pemutusan arus bumi, pemutusan sirkuit, kabel tercabut tanpa sengaja, atau listrik mati. Jika sakelar penggeser terkunci menyala saat listrik terhubung, alat akan menyala di luar dugaan.

Untuk menyalakan alat, geser sakelar penggeser (a) ke arah depan alat. Untuk menghentikan alat, lepas sakelar penggeser. Untuk operasi berkelanjutan, geser sakelar ke arah depan alat, lalu tekan bagian depan sakelar ke dalam. Untuk menghentikan alat selagi beroperasi dalam mode berkelanjutan, tekan bagian belakang sakelar penggeser, lalu lepaskan.

Kunci poros (Gbr. 1)

Kunci poros (b) mencegah poros output dari berputar saat memasang atau melepas piringan gerinda. Gunakan hanya kunci poros ketika alat dimatikan, listrik dicabut, dan piringan berhenti sama sekali.



CATATAN: Untuk meminimalkan kerusakan alat, jangan gunakan kunci poros ketika alat beroperasi. Atau kunci poros dapat merusak alat. Aksesoris yang terpasang dapat terlepas dan menyebabkan cedera.

Jika menggunakan kunci poros, tekan tombol kunci poros dan putar poros output sampai berhenti.

Aplikasi pada Logam

Saat mengaplikasikan alat pada logam, pastikan bahwa residual-current device (RCD) dimasukkan untuk mencegah bahaya dari serpihan logam.

Jika RCD menyebabkan terputusnya daya, kirim alat ke dealer resmi Stanley untuk diperbaiki.



PERINGATAN: Dalam kondisi kerja yang ekstrem, debu dan pasir konduktif dapat menumpuk pada bagian dalam kerangka saat memegang benda kerja logam. Ini dapat menciptakan bahaya sengatan listrik karena melemahkan insulasi pelindung dalam gerinda.

Untuk menghindari penumpukan serpihan logam di bagian dalam gerinda, sebaiknya bersihkan saluran ventilasi setiap hari. Lihat **Pemeliharaan**.

Menggunakan Piringan Gerinda



PERINGATAN: Serbuk logam menumpuk. Penggunaan piringan gerinda secara berlebihan pada logam dapat meningkatkan risiko sengatan listrik. Untuk mengurangi risiko, masukkan RCD sebelum alat digunakan dan bersihkan saluran ventilasi setiap hari. Ikuti petunjuk pemeliharaan di bawah ini untuk meniupkan udara terkompresi kering ke dalam saluran ventilasi.

Pemeliharaan

Alat listrik Stanley telah dirancang untuk pengoperasian jangka waktu panjang dengan pemeliharaan minimum. Pengoperasian yang memuaskan secara terus-menerus bergantung pada cara pemeliharaan yang benar dan pembersihan alat secara teratur.



PERINGATAN: Untuk meminimalkan bahaya cedera diri yang berat, matikan alat dan lepaskan semua soket sebelum menyesuaikan atau melepaskan/memasang aksesoris apa pun. Sebelum merangkai kembali alat, tekan dan lepas sakelar pemacu untuk memastikan bahwa alat sudah mati.



Pelumas

Alat listrik ini tidak memerlukan pelumasan terpisah.



Pembersihan



PERINGATAN: Setelah debu terlihat menumpuk pada saluran ventilasi dan sekitarnya, segera gunakan udara kering untuk meniup debu dan pasir keluar dari bagian dalam kerangka. Anda harus menggunakan alat pelindung mata dan wajah yang disetujui saat melakukan proses ini.



PERINGATAN: Jangan gunakan pelarut atau bahan kimia keras untuk membersihkan komponen alat yang tidak terbuat dari logam. Bahan kimia ini dapat merapuhkan material komponen. Cukup gunakan sabun lembut dan kain yang agak basah untuk membersihkan alat. Jangan sampai bagian dalam alat kemasukan air; jangan pernah rendam komponen alat dalam cairan.

Aksesoris



PERINGATAN: Di luar aksesoris yang disediakan oleh Stanley, semua aksesoris lainnya belum teruji untuk kompatibilitas produk. Menggunakan aksesoris tersebut bersama dengan alat ini dapat menimbulkan bahaya keselamatan. Untuk meminimalkan risiko cedera, kami sarankan Anda untuk menggunakan hanya aksesoris Stanley dengan produk ini.

Silakan tanyakan pada dealer Anda untuk informasi lebih lanjut mengenai aksesoris yang sesuai.

Melindungi Lingkungan



Pemilahan dan Daur Ulang. Produk ini tidak boleh dibuang bersama limbah rumah tangga biasa.

Jika Anda harus mengganti produk Stanley Anda atau alat ini tidak lagi berguna bagi Anda, jangan buang alat ini bersama limbah rumah tangga. Anda harus memilahnya untuk daur ulang terpisah.



Memilah dan mendaur ulang produk serta kemasan bekas memastikan bahwa bahan yang dapat digunakan didaur ulang dan digunakan kembali. Penggunaan kembali bahan yang dapat didaur ulang membantu mencegah pencemaran lingkungan dan mengurangi kebutuhan bahan baku.

Peraturan dapat menetapkan lembaga kota setempat Anda dan peritel produk baru untuk menyediakan pusat pembuangan limbah atau layanan daur ulang produk listrik.

Stanley menyediakan pengumpulan dan daur ulang produk yang sudah berakhir masa pakainya. Untuk menikmati layanan ini, harap kirim produk ini kembali ke dealer resmi mana pun untuk didaur ulang.

Keterangan

- Kebijakan Stanley adalah salah satu peningkatan yang berkelanjutan pada produk kami, dan karenanya, kami berhak mengubah spesifikasi produk tanpa pemberitahuan sebelumnya.
- Perlengkapan dan aksesoris standar mungkin akan berbeda menurut negara.
- Spesifikasi produk mungkin akan berbeda menurut negara.
- Pilihan produk lengkap mungkin tidak tersedia di semua negara. Hubungi dealer Stanley setempat Anda untuk ketersediaan produk.

เครื่องเจียรไฟฟ้า

STGS6100 / STGS7100

ข้อมูลด้านเทคนิค

	STGS6100	STGS7100
กำลังไฟเข้าตามพิกัด	วัตต์ 680	710
ความเร็วขณะไม่มีภาระโหลด นาที ¹	11,000	11,000
เส้นผ่าศูนย์กลางของแผ่นเจียร มม.	100	100
ความหนาของแผ่นเจียร มม.	6	6
ประเภทของแผ่น	27	27
เส้นผ่าศูนย์กลางของแกนหมุน	M10	M10
น้ำหนัก	กก. 1.8	1.8

คำจำกัดความ: ข้อแนะนำด้านความปลอดภัย

คำจำกัดความด้านล่างอธิบายถึงระดับความรุนแรงของคำ แต่ละคำที่ใช้เรียกสัญลักษณ์ต่างๆ โปรดอ่านคู่มือและใส่ใจกับสัญลักษณ์เหล่านี้



อันตราย: หมายถึงสถานการณ์ที่ก่อให้เกิดอันตรายได้อย่างฉับพลัน ซึ่งหากไม่ระวังจะทำให้เสียชีวิตหรือบาดเจ็บสาหัสได้



คำเตือน: หมายถึงสถานการณ์ที่มีแนวโน้มว่าจะก่อให้เกิดอันตราย ซึ่งหากไม่ระวังสามารถทำให้เกิดอันตรายถึงชีวิตหรือบาดเจ็บสาหัสได้



ข้อควรระวัง: หมายถึงสถานการณ์ที่มีแนวโน้มว่าจะก่อให้เกิดอันตราย ซึ่งถ้าไม่ระวัง อาจทำให้ได้รับบาดเจ็บเล็กน้อยหรือปานกลาง

ข้อสังเกต: หมายถึงการปฏิบัติที่ไม่ส่งผลให้บุคคลได้รับบาดเจ็บ แต่หากไม่ระวัง อาจทำให้ทรัพย์สินได้รับความเสียหายได้



แสดงถึงอันตรายจากการถูกไฟฟ้าช็อต



แสดงถึงอันตรายจากการเกิดเพลิงไหม้



คำเตือน: เพื่อลดความเสี่ยงจากการบาดเจ็บ โปรดอ่านคู่มือการใช้งานเล่มนี้

คำเตือนเพื่อความปลอดภัยทั่วไปสำหรับการใช้เครื่องมือไฟฟ้า



คำเตือน! โปรดอ่านคำเตือนและข้อปฏิบัติเพื่อความปลอดภัยทั้งหมด การไม่ปฏิบัติตามคำเตือนและข้อปฏิบัติเหล่านี้ อาจทำให้ถูกไฟฟ้าช็อต เกิดเพลิงไหม้ และ/หรือบาดเจ็บสาหัสได้

โปรดเก็บรักษาคำเตือนและข้อปฏิบัติทั้งหมดไว้เพื่อใช้อ้างอิงในภายหลัง

คำว่า "เครื่องมือไฟฟ้า" ในคำเตือน หมายถึงเครื่องมือไฟฟ้า (แบบมีสาย) ที่ทำงานผ่านแหล่งจ่ายไฟหลัก หรือเครื่องมือไฟฟ้า (แบบไร้สาย) ที่ทำงานผ่านแบตเตอรี่

1) ความปลอดภัยในบริเวณที่ทำงาน

- รักษาความสะอาดและจัดให้มีแสงสว่างเพียงพอในบริเวณที่ทำงาน บริเวณที่มีเครื่องมือของวาระกะระกะอาจทำให้เกิดอุบัติเหตุได้
- ห้ามใช้เครื่องมือไฟฟ้าในบริเวณที่อาจเกิดการระเบิด เช่น เมื่อมีขีปนาวุธ แกลส หรือ ฝุ่นละอองที่ไวไฟ เครื่องมือไฟฟ้าจะทำให้เกิดประกายไฟที่อาจทำให้เกิดล่องไฟหรือเปลวไฟขึ้นได้
- ระวังไม่ให้เด็กเล็กและคนเดินผ่านไปมาเข้าไปใกล้ในขณะที่ใช้งานเครื่องมือไฟฟ้า สิ่งรบกวนอาจทำให้คุณเสียสมาธิได้

2) ความปลอดภัยทางไฟฟ้า

- ปลั๊กไฟของเครื่องต้องเป็นชนิดเดียวกับตัวรับ ห้ามดัดแปลงปลั๊กไม่ว่าด้วยวิธีใด ห้ามใช้ปลั๊ก อะแดปเตอร์ ใดๆ กับเครื่องมือไฟฟ้าที่ต่อสายดิน (ลงกราวด์) ปลั๊กที่ไม่มีการดัดแปลงและเข้าชนิดเดียวกันจะช่วยลดความเสี่ยงจากการถูกไฟฟ้าช็อต
- หลีกเลี่ยงการสัมผัสพื้นผิวที่ต่อสายดินหรือลงกราวด์ เช่น ท่อ หม้อน้ำ เตาหุงต้ม และตู้เย็น มีความเสี่ยงเพิ่มขึ้นที่จะถูกไฟฟ้าช็อตหากร่างกายเป็นสื่อเชื่อมต่อดินหรือลงกราวด์
- อย่าให้เครื่องมือไฟฟ้าถูกฝนหรือเปียกน้ำ น้ำที่เข้าเครื่องมือไฟฟ้าจะเพิ่มความเสี่ยงในการเกิดไฟฟ้าช็อต
- ห้ามใช้สายไฟผิดวัตถุประสงค์ ห้ามใช้สายไฟเพื่อการหิ้ว ดึง หรือถอดปลั๊กเครื่องมือไฟฟ้า เก็บสายไฟให้พ้นจากความร้อน น้ำมัน ของมีคม หรือ ชิ้นส่วนที่กำลังเคลื่อนที่ สายไฟที่ชำรุดหรือพันกันเป็นการเพิ่มความเสี่ยงต่อการเกิดไฟฟ้าช็อต
- เมื่อใช้เครื่องมือไฟฟ้านอกอาคาร ให้ใช้สายต่อพ่วงที่เหมาะสมสำหรับการใช้งานนอกอาคาร การใช้สายไฟที่เหมาะสมสำหรับการใช้งานนอกอาคารจะช่วยลดความเสี่ยงต่อการเกิดไฟฟ้าช็อต
- หากไม่สามารถหลีกเลี่ยงการใช้เครื่องมือไฟฟ้าในบริเวณที่ชื้นแฉะได้ ให้ใช้อุปกรณ์ป้องกันไฟฟ้าสะสม (RCD) การใช้ RCD จะเป็นการลดความเสี่ยงจากการถูกไฟฟ้าช็อต

3) ความปลอดภัยส่วนบุคคล

- ตื่นตัวและมีสมาธิกับสิ่งที่คุณกำลังทำ รวมทั้งใช้สามัญสำนึกในขณะที่กำลังใช้งานเครื่องมือไฟฟ้า ห้ามใช้เครื่องมือไฟฟ้าในขณะที่คุณกำลังเหนื่อยหรือได้รับอิทธิพลจากยา แอลกอฮอล์ หรือการรักษาบางอย่าง การขาดความระมัดระวังในการใช้เครื่องมือไฟฟ้าแม้ชั่วขณะหนึ่งอาจทำให้บาดเจ็บสาหัสได้
- ใช้อุปกรณ์คุ้มครองความปลอดภัยส่วนบุคคล สวมอุปกรณ์ป้องกันดวงตาเสมอ อุปกรณ์มือกัน เช่น

หน้ากากกันฝุ่น รองเท้านิรภัยกันลื่น หมวกนิรภัย หรือ อุปกรณ์ป้องกันเสียงดังสำหรับสภาพที่เหมาะสมจะช่วยลดอาการบาดเจ็บทางร่างกาย

- ค) ป้องกันเครื่องเปิดทำงานโดยไม่ตั้งใจ สวิตช์ต้องอยู่ในตำแหน่งปิดก่อนที่จะเสียบปลั๊กของเครื่องเข้ากับแหล่งจ่ายไฟ และ/หรือแบตเตอรี่ หรือก่อนชาร์จหรือหิ้วเครื่องมือ กายยกรเครื่องมือไฟฟ้าในขณะที่อยู่นิ่ง
- ง) ถอดกุญแจปรับตั้งหรือประแจออกก่อนเปิดสวิตช์เครื่องมือไฟฟ้า ประแจหรือกุญแจที่เสียบค้างอยู่ในชิ้นส่วน ที่หมุนได้ของเครื่องมือไฟฟ้าอาจทำให้ได้รับบาดเจ็บได้
- จ) ห้ามยื่นขยับเท้าขณะใช้เครื่อง ควรยืนในท่าที่เหมาะสม และสมดุลตลอดเวลา เพื่อช่วยในการควบคุมเครื่องมือไฟฟ้าได้ดียิ่งขึ้นในสถานการณ์ที่ไม่คาดคิด
- ฉ) แต่งกายให้เหมาะสม ห้ามสวมเสื้อผ้าหลวมหรือใส่เครื่องประดับ รวบผม ซายเสื้อ และถุงมือให้ห่างจากชิ้นส่วนที่กำลังหมุน เสื้อผ้าที่หลวมหรือยาวรุ่มร่าม เครื่องประดับ หรือผมที่ยาวอาจเข้าไปพันกับชิ้นส่วนที่กำลังหมุน
- ช) หากมีอุปกรณ์สำหรับดูดและเก็บฝุ่น ต้องตรวจสอบให้แน่ใจว่าได้เชื่อมต่อและใช้งานอุปกรณ์นั้นอย่างเหมาะสม การใช้อุปกรณ์เก็บฝุ่นจะชะงักหรืออันตรายที่เกี่ยวข้องกับฝุ่นได้

4) การใช้และการดูแลรักษาเครื่องมือไฟฟ้า

- ก) ห้ามฝืนใช้เครื่องมือไฟฟ้า เลือกใช้เครื่องมือไฟฟ้าที่ถูกต้องตรงกับลักษณะการใช้งานของคุณ เครื่องมือไฟฟ้าที่ถูกต้องย่อมทำงานได้ดีกว่าและปลอดภัยกว่า เมื่อใช้งานตามพิกัดที่เครื่องมือได้รับการออกแบบมา
- ข) ห้ามใช้เครื่องมือไฟฟ้าถ้าสวิตช์เปิดปิดเครื่องไม่ทำงาน เครื่องมือไฟฟ้าที่ไม่สามารถควบคุมผ่านสวิตช์ได้ มีอันตรายและต้องส่งซ่อม
- ค) ถอดปลั๊กของเครื่องมือไฟฟ้าออกจากแหล่งจ่ายไฟ และ/หรือ แบตเตอรี่ก่อนทำการปรับตั้ง เปลี่ยนอุปกรณ์เสริมหรือจัดเก็บ มาตราการเพื่อความปลอดภัยเชิงป้องกันนี้จะช่วยลดความเสี่ยงในการผลเปิดเครื่องให้ทำงานโดยไม่ตั้งใจ
- ง) เก็บเครื่องมือไฟฟ้าที่ไม่ได้ใช้งานไว้ให้พ้นมือเด็ก และไม่อนุญาตให้บุคคลที่ไม่คุ้นเคยกับเครื่องมือไฟฟ้าหรือข้อปฏิบัติเหล่านี้เป็นผู้ใช้เครื่องมือ เครื่องมือไฟฟ้าจะเป็นอันตรายหากอยู่ในมือผู้ใช้ที่ไม่มีความชำนาญ
- จ) บำรุงรักษาเครื่องมือไฟฟ้า ตรวจสอบว่าชิ้นส่วนที่เคลื่อนที่ได้มีการวางไม่ตรงแนวหรือติดขัดหรือไม่ มีชิ้นส่วนที่แตกหัก และสภาพอื่นใดที่อาจส่งผลต่อการทำงานของเครื่องมือไฟฟ้าหรือไม่ หากชำรุด

เสียหาย ให้นำเครื่องมือไปส่งซ่อมก่อนนำมาใช้ อุบัติเหตุจำนวนมากเกิดจากการดูแลรักษาเครื่องมือไฟฟ้าไม่ดีพอ

- ฉ) เครื่องมือตัดต้องคมและสะอาดอยู่เสมอ เครื่องมือ ตัดที่ ได้รับความดูแลรักษาอย่างถูกต้อง และมีขอบตัดคม จะมีปัญหาตัดขัดน้อย และควบคุมได้ง่ายกว่า
 - ช) ใช้เครื่องมือไฟฟ้า อุปกรณ์เสริม และชุดอุปกรณ์ต่างๆ ให้สอดคล้องกับคำแนะนำเหล่านี้ โดยพิจารณาถึงสภาพการทำงานและงานที่ทำเป็นสำคัญ การใช้เครื่องมือไฟฟ้าทำงานอื่นนอกเหนือจากที่กำหนดไว้อาจทำให้เกิดอันตรายได้
- 5) การบริการ
- ก) ให้ช่างซ่อมที่มีความเชี่ยวชาญเป็นผู้ซ่อมเครื่องมือ และใช้อะไหล่ที่แท้เท่านั้น ซึ่งจะช่วยให้มั่นใจได้ว่าเครื่องมือไฟฟ้ายังมีความปลอดภัยอยู่

กฎความปลอดภัยเพิ่มเติมเฉพาะเครื่องมือ

ข้อปฏิบัติเพื่อความปลอดภัยสำหรับการใช้งานทุกประเภท

- ก) เครื่องมือไฟฟ้าที่มีวัตถุประสงค์เพื่อการใช้งานเป็นเครื่องเจียร อ่านคำเตือน ข้อปฏิบัติเพื่อความปลอดภัยทั้งหมด รวมทั้งภาพประกอบและข้อมูลจำเพาะที่หามากับเครื่องมือไฟฟ้านี้ การไม่ปฏิบัติตามคำเตือนและข้อปฏิบัติเหล่านี้ อาจทำให้เกิดไฟฟ้าช็อต เกิดอัคคีภัย และ/หรือบาดเจ็บสาหัสได้
- ข) ไม่แนะนำให้ใช้เครื่องมือไฟฟ้านี้กับการทำงานประเภท งานตัด งานขัดด้วยกระดาษทราย งานขัดเงาหรือการใช้แปรงลวด การทำงานที่ไม่ตรงตามที่เครื่องมือได้รับการออกแบบมาอาจทำให้เกิดอันตรายและเกิดการบาดเจ็บได้
- ค) ห้ามใช้อุปกรณ์เสริมซึ่งไม่ได้รับการออกแบบมาโดยเฉพาะหรือไม่ได้รับการแนะนำจากผู้ผลิตเครื่องมือ การที่อุปกรณ์เสริมสามารถถอดเข้ากับเครื่องมือไฟฟ้าของคุณได้นั้น ไม่ได้รับประกันว่าอุปกรณ์เสริมนั้นจะทำงานอย่างปลอดภัย
- ง) ความเร็วตามพิกัดของอุปกรณ์เสริมจะต้องเท่ากับความเร็วสูงสุดที่กำกับไว้บนเครื่องมือไฟฟ้าเป็นอย่างน้อย อุปกรณ์เสริมที่ต้องทำงานด้วยความเร็วมากกว่าพิกัดความเร็วของอุปกรณ์ อาจแตกหักและกระเด็นหลุดออกได้
- จ) เส้นผ่านศูนย์กลางภายนอกและความหนาของอุปกรณ์เสริมต้องอยู่ภายในพิกัดความสามารถของเครื่องมือไฟฟ้า อุปกรณ์เสริมที่มีขนาดไม่ถูกต้องไม่สามารถให้การป้องกันหรือควบคุมได้เพียงพอ
- ฉ) ขนดรูปีตของแผ่นเจียร หน้าแปลน แผ่นรองหลัง หรือ อุปกรณ์เสริมอื่นใดต้องเข้ากันได้พอดีกับแกนหมุนของเครื่องมือไฟฟ้า อุปกรณ์เสริมที่มีขนาดของรูไม่ตรงกับส่วนติดตั้งของเครื่องมือไฟฟ้าจะทำให้ขาดความสมดุล มีอาการสั่นผิดปกติ และอาจทำให้สูญเสียการควบคุมได้

- ข) ห้ามใช้อุปกรณ์เสริมที่ชำรุดเสียหาย ก่อนการใช้งานทุกครั้ง ให้ตรวจสอบอุปกรณ์เสริม เช่น แผ่นขัดเพื่อหาเศษวัสดุ และรอยร้าว ตรวจสอบแผ่นรองเพื่อหารอยร้าว การฉีกขาด หรือการสึกหรอที่มากเกินไป ตรวจสอบแรงลวดเพื่อหาการหลวมหรือเส้นลวดที่แตกหัก ถ้าเครื่องมือไฟฟ้าหรืออุปกรณ์เสริมตกหล่น ให้ตรวจหาการชำรุดเสียหายหรือติดตั้งอุปกรณ์เสริมที่ไม่ชำรุด หลังจากการตรวจสอบและติดตั้งอุปกรณ์เสริมแล้ว ตัวคุณและผู้ที่อยู่ใกล้เคียงต้องออกจากแนวระนาบของอุปกรณ์เสริมที่กำลังหมุน และเปิดเครื่องมือไฟฟ้าที่ความเร็วสูงสุดโดยไม่มีภาวะไหลตเป็นเวลานานี่นาที่ โดยปกติอุปกรณ์เสริมที่ชำรุดจะแตกออกในระหว่างการทดสอบนี้
- ข) สวมใส่อุปกรณ์คุ้มครองความปลอดภัยส่วนบุคคล ใช้หมวกกันน็อกกัน แวนตาหนีบ หรืออุปกรณ์ป้องกันดวงตาอื่น ๆ ตามลักษณะการใช้งาน ให้สวมหมวกกันน็อกกันฝุ่น อุปกรณ์ป้องกันเสียงดัง ถุงมือ และผ้ากันเปื้อนทนความร้อนที่สามารถป้องกันเศษทรายขัดหรือเศษชิ้นส่วนของชิ้นงานได้ โดยขึ้นอยู่กับความเหมาะสมในการใช้งาน อุปกรณ์ป้องกันดวงตาต้องสามารถกันเศษชิ้นงานที่ปลิวออกมาซึ่งเกิดจากการทำงานประเภทต่างๆ หน้กากันฝุ่นหรือหน้กากันป้องกันต้องสามารถกรองฝุ่นที่เกิดจากการทำงานได้ การอยู่กับเสียงดังมาก ๆ เป็นเวลานานอาจทำให้สูญเสียความสามารถในการได้ยิน
- ค) กันผู้ที่อยู่ใกล้เคียงให้ออกห่างจากบริเวณพื้นที่ทำงานในระยะที่ปลอดภัย ทุกคนที่เข้าไปในบริเวณพื้นที่ทำงานต้องสวมใส่อุปกรณ์คุ้มครองความปลอดภัยส่วนบุคคล เศษชิ้นส่วนของชิ้นงานหรือของอุปกรณ์เสริมอาจหลุดกระเด็นออกมา และอาจทำให้ได้รับบาดเจ็บในระยะเกินกว่าพื้นที่ทำงานโดยตรง
- ง) จับเครื่องมือไฟฟ้าที่พื้นผิวส่วนที่ใช้จับซึ่งมีฉนวนป้องกันเท่านั้น เมื่อทำงานประเภทใดก็ตามที่อุปกรณ์เสริมที่ใช้กับงานตัดอาจสัมผัสกับสายไฟที่ซ่อนอยู่หรือสายไฟของตัวเครื่องเอง อุปกรณ์เสริมที่ใช้กับงานตัดที่สัมผัสกับสายไฟ "ที่มีไฟฟ้า" อาจทำให้ส่วนของโลหะที่อยู่สัมผัส "มีไฟฟ้า" และทำให้ผู้ใช้เครื่องถูกไฟดูดได้
- จ) วางสายไฟให้ห่างจากอุปกรณ์เสริมที่กำลังหมุน หากคุณสูญเสียการควบคุม สายไฟอาจถูกตัดหรือตัดขังและอาจดึงมือหรือแขนของคุณเข้าหาอุปกรณ์เสริมที่กำลังหมุนอยู่
- ฉ) อย่าวางเครื่องมือไฟฟ้าจนกว่าอุปกรณ์เสริมจะหยุดหมุนแล้ว อุปกรณ์เสริมที่กำลังหมุนอยู่อาจจับยึดพื้นผิวไว้และดึงเครื่องมือไฟฟ้าออกจากกรควบคุมของคุณ
- ช) ไม่ควรเปิดใช้เครื่องมือไฟฟ้าขณะที่ถือเครื่องมือไว้ใกล้ตัวการสัมผัสกับอุปกรณ์เสริมที่กำลังหมุนโดยไม่ตั้งใจอาจทำให้เส้นลวดของคุณถูกเกี่ยวและดึงอุปกรณ์เสริมเข้ามาใกล้ตัว
- ช) ทำความสะอาดช่องระบายอากาศของเครื่องมือไฟฟ้าเป็นประจำ พัดลมของมอเตอร์จะดูดฝุ่นและของเข้าไปในตัวเครื่องและการสะสมของผงโลหะมากเกินไปอาจทำให้เกิดอันตรายทางไฟฟ้าได้

- ฌ) ไม่ควรใช้เครื่องมือไฟฟ้าใกล้วัสดุติดไฟประกายไฟอาจทำให้วัสดุเหล่านี้ติดไฟได้
- ฎ) ไม่ควรใช้อุปกรณ์เสริมที่ต้องเติมสารหล่อเย็นที่เป็นของเหลว การใช้สารอื่นของเหลวอื่นในการหล่อเย็น อาจทำให้ได้รับอันตรายจากไฟฟ้าจนถึงแก่ความตายหรือไฟฟ้าช็อตได้

ข้อปฏิบัติเพื่อความปลอดภัยเพิ่มเติมสำหรับการใช้งานทุกประเภท

การติดตั้งและคำเตือนที่เกี่ยวข้อง

การติดตั้งคือปฏิกิริยาที่เกิดขึ้นแบบทันทีทันใดต่อแผ่นเจียรที่กำลังหมุน แผ่นรอง แปรง หรืออุปกรณ์เสริมอื่น ๆ ที่ถูกหนีบหรือติดขัด การหนีบหรือการติดขัดจะทำให้อุปกรณ์เสริมที่กำลังหมุนหยุดอย่างเร็วทันใด ซึ่งจะทำให้เครื่องมือไฟฟ้าที่ไม่มีการควบคุมถูกดึงไปในทิศทางที่ตรงกันข้ามกับการหมุนของอุปกรณ์เสริมในจุดที่ติดขัด

ตัวอย่างเช่น ถ้าแผ่นเจียรติดขัดหรือถูกหนีบโดยชิ้นงาน ขอบของแผ่นเจียรที่กำลังเข้าไปสู่อุปกรณ์อาจดันเข้าไปสู่อันผิวของวัสดุ ซึ่งจะทำให้แผ่นเจียรป็นออกหรือหลุดออก แผ่นเจียรอาจกระเด็นไปหาหรือกระเด็นออกมาจากผู้ปฏิบัติงาน ทั้งนี้ขึ้นอยู่กับทิศทางเคลื่อนที่ของแผ่นเจียรในจุดที่ถูกหนีบ แผ่นเจียรยังอาจแตกหักภายใต้สภาวะเหล่านี้ก็ด้วย

การติดตั้งเป็นผลมาจากการใช้งานเครื่องมืออย่างไม่ถูกวิธี และ/หรือขั้นตอนหรือสภาวะการใช้งานที่ไม่ถูกต้อง และสามารถหลีกเลี่ยงได้ด้วยวิธีการใช้มาตรการป้องกันที่เหมาะสมที่ได้ไว้ด้านล่างนี้

- ก) จับยึดเครื่องมือไฟฟ้าให้แน่นตลอดเวลา และวางตำแหน่งตัวและแขนเพื่อให้อาการต้านแรงติดกลับได้ ให้ใช้มือจับเสริมด้วยเสมอหากมีให้มา เพื่อให้สามารถควบคุมการติดกลับหรือผลจากแรงบิดได้อย่างเต็มที่ในระหว่างเริ่มเปิดเครื่อง ผู้ปฏิบัติงานสามารถควบคุมปฏิกิริยาของแรงบิดหรือแรงติดกลับได้ ถ้าจำเป็นมาตรการที่เหมาะสมมาใช้
- ข) ห้ามยื่นมือเข้าใกล้อุปกรณ์เสริมที่กำลังหมุน อุปกรณ์เสริมอาจติดใส่ไม่ได้
- ค) อย่าให้ร่างกายของคุณอยู่ในบริเวณที่เครื่องมือไฟฟ้าจะเคลื่อนที่ไปได้ในกรณีที่มีการติดกลับเกิดขึ้น การติดกลับจะทำให้เครื่องมือเหวี่ยงกลับในทิศทางตรงกันข้ามกับการหมุนของแผ่นเจียร ณ ตำแหน่งที่ติดขัด
- ง) ใช้ความระมัดระวังเป็นพิเศษขณะทำงานที่มุมหรือขอบที่คม ฯลฯ หลีกเลี่ยงการทำให้อุปกรณ์เสริมกระดอนไปมาหรือติดขัด มุมต่างๆ ขอบที่คม หรือการกระดอนมีแนวโน้มที่จะทำให้อุปกรณ์เสริมที่กำลังหมุนอยู่ติดขัด และทำให้สูญเสียการควบคุมหรือเกิดการติดกลับ
- จ) ไม่ควรติดใบเลื่อยไม้แบบใช้เลื่อยหรือใบเลื่อยแบบมีฟัน ใบเลื่อยแบบนี้มักจะทำให้เกิดการติดกลับและสูญเสียการควบคุม

คำเตือนเพื่อความปลอดภัยทั่วไปสำหรับการเจียร

- ก) ใช้แผ่นเจียร์ชนิดที่แนะนำสำหรับเครื่องมือไฟฟ้าของคุณและอุปกรณ์ป้องกันที่ออกแบบมาสำหรับแผ่นเจียร์ ที่เลือกโดย เฉพาะ แผ่นเจียร์ที่ไม่ได้ออกแบบมาให้เข้ากับเครื่องมือ ไฟฟ้าจะไม่ได้รับการป้องกันอย่างเพียงพอและไม่ปลอดภัย
- ข) ตัวครอบป้องกันต้องได้รับการติดตั้งเข้ากับเครื่องมือไฟฟ้า อย่างแน่นหนาและอยู่ในตำแหน่งที่มีความปลอดภัยสูงสุด เพื่อให้มีส่วนของแผ่นเจียร์ที่หันเข้าหาผู้ทำงานได้น้อยที่สุด ตัวครอบป้องกันจะช่วยปกป้องผู้ทำงานจากชิ้นส่วนของ แผ่นเจียร์ที่แตกหักและการสัมผัสกับแผ่นเจียร์โดยไม่ตั้งใจ รวมทั้งประกายไฟที่อาจทำให้เสื้อผ้าติดไฟ
- ค) ต้องใช้แผ่นตัดสำหรับการใช้งานที่แนะนำเท่านั้น ตัวอย่าง เช่น ห้ามใช้ด้านข้างของแผ่นตัดกับงานเจียร์ แผ่นตัดมี วัตถุประสงค์เพื่อการตัดในแนวเส้นรอบวง แรงด้านข้างที่ กระทำกับแผ่นเหล่านี้อาจทำให้แผ่นแตกออกได้
- ง) ทุกครั้งให้ใช้หน้าแปลนแผ่นเจียร์ที่ไม่ชำรุดเสียหาย ที่มีขนาดและรูปร่างที่ถูกต้องเหมาะสมสำหรับแผ่นเจียร์ที่คุณ เลือกใช้ หน้าแปลนแผ่นเจียร์ที่เหมาะสมจะช่วยรองรับแผ่น เจียร์ไว้ ดังนั้นจึงลดการแตกหักของแผ่นเจียร์ที่อาจเกิดขึ้น ได้ หน้าแปลนสำหรับแผ่นตัดอาจแตกต่างจากหน้าแปลน สำหรับแผ่นเจียร์
- จ) ห้ามใช้แผ่นเก่าที่สึกมาจากเครื่องมือไฟฟ้าที่มีขนาดใหญ่กว่า แผ่นที่มีไว้สำหรับเครื่องมือไฟฟ้าขนาดใหญ่ไม่สามารถ ใช้ได้กับเครื่องมือที่มีความเร็วสูงกว่าหรือเครื่องมือที่เล็ก กว่า และอาจแตกหักได้

ความเสี่ยงอื่น ๆ ที่ยังมีอยู่

แม้จะปฏิบัติตามข้อกำหนดด้านความปลอดภัยที่เกี่ยวข้องและ ใช้อุปกรณ์นิรภัยแล้วก็ตาม แต่ก็ไม่สามารถหลีกเลี่ยงความ เสี่ยงบางอย่างได้ ความเสี่ยงเหล่านั้นได้แก่:

- ความบกพร่องในการได้ยินเสียง
- ความเสี่ยงที่จะได้รับบาดเจ็บจากเศษชิ้นงานที่ปลิวว่อน
- ความเสี่ยงที่จะเกิดรอยไหม้เนื่องจากอุปกรณ์เสริมที่ร้อน ขึ้นในระหว่างใช้งาน
- ความเสี่ยงที่จะได้รับบาดเจ็บเนื่องจากการใช้งานเป็น เวลารานาน
- ความเสี่ยงที่จะได้รับฝุ่นของสารที่เป็นอันตราย

สัญลักษณ์ต่าง ๆ บนเครื่องมือ

สัญลักษณ์ต่อไปนี้จะพิมพ์ไว้บนเครื่องมือ



โปรดอ่านคู่มือการใช้งานก่อนใช้เครื่อง



โปรดสวมอุปกรณ์ป้องกันเสียงดัง



โปรดสวมอุปกรณ์ป้องกันดวงตา

ตำแหน่งของบาร์โค้ดวันที่ (รูป 1)

บาร์โค้ดวันที่ (n) ประกอบด้วยปีที่ผลิตซึ่งจะพิมพ์ไว้บน ตัวเครื่อง

ตัวอย่าง:

2014 XX JN

ปีที่ผลิต

สิ่งที่อยู่ในบรรจุภัณฑ์

ผลิตภัณฑ์ภายในบรรจุภัณฑ์นี้ประกอบด้วย

- เครื่องเจียร์ไฟฟ้า 1 เครื่อง
- ตัวครอบป้องกัน 1 อัน
- ชุดหน้าแปลน 1 ชุด
- ประแจ 1 อัน
- คัมจับ 1 อัน
- คู่มือการใช้งาน 1 เล่ม

- ตรวจสอบเครื่องมือ ส่วนประกอบต่างๆ และอุปกรณ์เสริม เพื่อดูว่าชำรุดเสียหายระหว่างการขนส่งหรือไม่
- โปรดอ่านและทำความเข้าใจคู่มือเล่มนี้ก่อนการใช้งาน

คำอธิบาย (รูป 1)



คำเตือน: ห้ามดัดแปลงเครื่องมือไฟฟ้าหรือส่วน ประกอบต่าง ๆ มิฉะนั้นอาจทำให้เกิดความเสี ยต่อเครื่องมือหรืออาจทำให้ได้รับบาดเจ็บได้

- a. สวิตช์เปิด/ปิด
- b. ตัวล็อกแกนหมุน
- c. ตัวครอบป้องกัน

วัตถุประสงค์ในการออกแบบ

เครื่องเจียร์ไฟฟ้าเครื่องนี้ได้รับการออกแบบมาสำหรับการเจียร์

ห้ามใช้งานกระดาศทรายและแผ่นเจียร์ที่ไม่ใช่แผ่นเจียร์แบบ กดกลาง

ห้ามใช้งานหากอยู่ในบริเวณที่เปียกชื้น หรือมีของเหลวไวไฟ หรือแก๊สอยู่ในบริเวณดังกล่าว

เครื่องเจียร์ไฟฟ้าสำหรับงานหนักเครื่องนี้เป็นเครื่องมือไฟฟ้า ระดับมืออาชีพ

ห้ามปล่อยให้เด็กสัมผัสกับเครื่องมือไฟฟ้านี้ ผู้ใช้ที่ไม่ มี ประสบการณ์มาก่อนต้องได้รับการดูแลในขณะที่ใช้เครื่องมือนี้

ความปลอดภัยสำหรับอุปกรณ์ไฟฟ้า

เครื่องมือนี้ใช้กับแรงดันไฟฟ้าขนาดเดียวกันนั้น ตรวจสอบให้แน่ใจว่ากำลังไฟเพื่อให้ตรงกับแรงดันไฟฟ้าบนแผ่นแสดงพิกัด



เครื่องมือ Stanley ของคุณมีฉนวนสองชั้น ดังนั้นจึงไม่จำเป็นต้องต่อสายดิน

หากสายไฟชำรุดเสียหาย โปรดส่งไปยังศูนย์บริการของ Stanley เพื่อเปลี่ยนเป็นสายไฟที่จัดเตรียมมาเป็นพิเศษ

การใช้สายต่อพ่วง

ในกรณีที่ต้องใช้สายต่อพ่วง โปรดใช้สายต่อพ่วงสามขั้ว เฟสที่ได้รับการตรวจสอบและตรงกับกำลังไฟเข้า (ดูข้อมูลทางเทคนิค) ของเครื่องมือนี้ ขนาดต่ำสุดของสายไฟ คือ 1.5 ตร.มม. ความยาวสูงสุด คือ 30 ม.

เมื่อใช้อุปกรณ์นี้บนกับสายไฟ ตรวจสอบให้แน่ใจว่าคลายสายไฟออกจนหมด

การประกอบและการปรับตั้ง



คำเตือน: เพื่อลดความเสี่ยงของการบาดเจ็บสาหัส ให้ปิดเครื่องมือและถอดแบตเตอรี่ก่อนทำการปรับหรือการถอด/ติดตั้งอุปกรณ์ต่อพ่วงหรืออุปกรณ์เสริมใดๆ ก่อนการประกอบเครื่องมือ ให้กดและปล่อยสวิตช์ไว้เพื่อให้แน่ใจว่าเครื่องมือปิดอยู่

การประกอบและถอดตัวครอบป้องกันแผ่นเจียร (รูป 2)



คำเตือน: เพื่อลดความเสี่ยงของการบาดเจ็บสาหัส ให้ปิดเครื่องมือและถอดแบตเตอรี่ก่อนทำการปรับหรือการถอด/ติดตั้งอุปกรณ์ต่อพ่วงหรืออุปกรณ์เสริมใดๆ ก่อนการประกอบเครื่องมือ ให้กดและปล่อยสวิตช์ไว้เพื่อให้แน่ใจว่าเครื่องมือปิดอยู่

การประกอบตัวครอบป้องกัน

1. วางเครื่องเจียรไฟฟ้าบนโต๊ะ โดยให้ร่องหันขึ้นด้านบน
2. นำหน้าแปลนของปลอกยึดตัวครอบป้องกัน (c) มาใส่ไว้บนร่อง (i) ของตัวเฟือง
3. หมุนตัวครอบป้องกัน (c) ทวนเข็มนาฬิกาประมาณ 150 องศา
4. ตรวจสอบให้แน่ใจว่าขันสลกรู (k) จนแน่น

การถอดตัวครอบป้องกัน

1. คลายสลกรู (k) ตรงปลอกยึดตัวครอบป้องกันออก
2. ดึงตัวครอบป้องกันขึ้น (c)



คำเตือน: ห้ามใช้เครื่องมือเมื่อยังไม่ได้ใส่ตัวครอบป้องกันความปลอดภัยให้เข้าที่

หมายเหตุ: โปรดดูตารางอุปกรณ์เสริมสำหรับการเจียรที่ตอนท้ายของส่วนนี้ เพื่อดูอุปกรณ์เสริมอื่นที่สามารถใช้กับเครื่องเจียรเหล่านี้ได้

การติดตั้งและการถอดแผ่นเจียร (รูป 3 และ 4)



คำเตือน: ห้ามใช้แผ่นเจียรที่ชำรุด

1. วางเครื่องเจียรไฟฟ้าบนโต๊ะ โดยให้ตัวครอบป้องกันตั้งขึ้น
2. ใส่หน้าแปลนด้านใน (c) เข้ากับแกนหมุน (e) (รูป 3) ให้ถูกต้อง
3. วางแผ่นเจียร (f) บนหน้าแปลนด้านใน (c) เมื่อใส่แผ่นเจียรโดยให้ตรงกลางตั้งขึ้น ตรวจสอบให้แน่ใจว่าตรงกลางที่ตั้งขึ้น (g) ต้องหันไปทางหน้าแปลน (c)
4. ขันหน้าแปลนด้านนอก (h) ให้แน่นจนถึงแกนหมุน (e) (รูป 4) เวลาใส่แผ่นเจียร วงแหวนที่อยู่ด้านบนสุดของหน้าแปลนด้านนอก (h) ต้องประจันหน้ากับแผ่นเจียร
5. กดตัวล็อกแกนหมุน (b) และป้องกันแกนหมุนไม่ให้หมุน (e) จนกระทั่งล็อกเข้าที่
6. ใช้ประแจสลักเพื่อขันหน้าแปลนด้านนอก (h) ให้แน่น

การเตรียมการก่อนการใช้งาน

- ติดตั้งตัวครอบป้องกันความปลอดภัยและแผ่นขัดหรือแผ่นเจียรที่เหมาะสม อย่าวางแผ่นขัดหรือแผ่นเจียรที่สึกหรอมากเกินไป
- ตรวจสอบให้แน่ใจว่าได้ติดตั้งหน้าแปลนด้านในและด้านนอกอย่างถูกต้องแล้ว
- ตรวจสอบให้แน่ใจว่าแผ่นขัดหรือแผ่นเจียรหมุนในทิศทางตามลูกศรบนอุปกรณ์เสริมหรือเครื่องมือ

การใช้งาน (รูป 5)

ข้อปฏิบัติ



คำเตือน: ทำตามข้อปฏิบัติเพื่อความปลอดภัยและข้อกำหนดที่ให้ไว้เสมอ



คำเตือน: เพื่อลดความเสี่ยงจากการได้รับบาดเจ็บรุนแรง ต้องปิดเครื่องมือและถอดปลั๊กเครื่องมือออกจากแหล่งจ่ายไฟ ก่อนทำการปรับตั้งหรือก่อนการถอด/ติดตั้งอุปกรณ์ยึดติดหรืออุปกรณ์เสริมใดๆ ทุกครั้ง ก่อนการประกอบ

เครื่องมือ ให้กดและปล่อยสวิตช์ไว้เพื่อให้แน่ใจว่า เครื่องมือปิดอยู่

คำเตือน:



- ตรวจสอบให้แน่ใจว่าได้ยึดวัสดุทั้งหมดที่จะ เจียรเข้าที่อย่างแน่นหนาแล้ว
- ออกแรงกดไปยังเครื่องมือเพียงเบาๆ อย่า ออกแรงกดด้านข้างที่แผ่นเจียร
- หลีกเลี่ยงการใช้งานหนักเกินไป หากเครื่องมือ ร้อน ให้ปล่อยเครื่องทำงานโดยไม่มีภาระโหลด เป็นเวลาสองสามนาที

1. โปรตจับเครื่องมือด้วยมือทั้งสองข้าง (มือข้างหนึ่งจับที่ ตัวเครื่อง มืออีกข้างหนึ่งอยู่บนที่ด้ามจับด้านข้าง) เปิดใช้ งานเครื่องมือแล้วเลื่อนแผ่นเจียรเข้าหาชิ้นงาน
2. ให้ขอบของแผ่นเจียรเอียงทำมุมตั้งแต่ 15 ถึง 30 องศา กับพื้นผิวของชิ้นงาน
3. เมื่อใช้แผ่นเจียรใหม่ อย่าใช้งานแผ่นเจียรในทิศทาง B มิฉะนั้นแผ่นเจียรจะตดชิ้นงาน เมื่อขอบของแผ่นเจียรมี ความกลมมน คุณสามารถใช้งานแผ่นเจียรในทิศทาง A หรือ B ก็ได้

การสตาร์ทและการหยุดมอเตอร์ (รูป 1)



คำเตือน: ก่อนใช้เครื่องมือ ให้ตรวจสอบว่าได้ขัน ด้ามจับแน่นดีแล้ว ตรวจสอบว่าสวิตช์เปิด/ปิด ใช้งานได้ปกติหรือไม่

ก่อนเชื่อมต่อเครื่องมือเข้ากับแหล่งจ่ายไฟ ตรวจสอบให้แน่ใจ ว่าสวิตช์เลื่อนอยู่ในตำแหน่งปิด (o) โดยการกดส่วนหลังของ สวิตช์

ถ้าต้องการให้เครื่องมือเริ่มทำงาน ให้กดส่วนหลังของสวิตช์ แล้วเลื่อนไปข้างหน้า จากนั้นให้กดส่วนด้านหน้าของสวิตช์ เพื่อล็อกสวิตช์ไว้ ให้กดส่วนหลังของสวิตช์เพื่อหยุดเครื่องมือ



คำเตือน: ห้ามเปิดหรือปิดสวิตช์เครื่องมือในขณะที่ มีภาระโหลด

ตำแหน่งการจับที่เหมาะสม (รูป 6)



คำเตือน: เพื่อลดความเสี่ยงจากการได้รับบาดเจ็บ สาหัส ให้จับเครื่องมือในตำแหน่งที่ถูกต้องดังแสดง ในภาพเสมอ



คำเตือน: เพื่อลดความเสี่ยงจากการได้รับบาดเจ็บ สาหัส จะต้องจับเครื่องมือให้แน่นทุกครั้ง เพื่อ เตรียมพร้อมสำหรับแรงปฏิกิริยาที่เกิดขึ้นแบบ ทันทีทันใด

ตำแหน่งการจับที่เหมาะสมจะต้องให้มีข้างหนึ่งอยู่บนด้ามจับ ด้านข้าง (รูป 1) และมีอีกข้างหนึ่งอยู่บนตัวเครื่อง ตามที่แสดง ในรูป 6

สวิตช์



ข้อควรระวัง: จับตัวเครื่องให้แน่นเพื่อให้สามารถ ความคุมเครื่องมือได้ตลอดทั้งในเวลาที่เริ่มเปิดเครื่อง ในระหว่างการใช้งาน และจนกระทั่งแผ่นหรือ อุปกรณ์เสริมหยุดหมุน ตรวจสอบให้แน่ใจว่าแผ่น หยุดสนิทก่อนวางเครื่องมือลง

หมายเหตุ: เพื่อลดการเคลื่อนที่ของเครื่องมือโดยไม่คาดคิด ห้ามเปิดหรือปิดสวิตช์เครื่องมือขณะที่อยู่ในสภาวะที่มีภาระ โหลด ให้เครื่องเจียรทำงานจนถึงความเร็วสูงสุดก่อนสัมผัสพื้น ผิวของงาน ยกเครื่องมือออกจากพื้นผิวก่อนเปิดเครื่องมือ ปล่อยให้ เครื่องหยุดหมุนก่อนวางเครื่องมือลง

สวิตช์เลื่อน (รูป 1)



คำเตือน: ก่อนเชื่อมต่อเครื่องมือเข้ากับแหล่ง จ่ายไฟ ตรวจสอบให้แน่ใจว่าสวิตช์เลื่อนอยู่ใน ตำแหน่งปิด โดยการกดส่วนหลังของสวิตช์และ ปล่อย ตรวจสอบให้แน่ใจว่าสวิตช์เลื่อนอยู่ใน ตำแหน่งปิดตามที่อธิบายไว้ข้างต้น หลังจากที่มี การหยุดจ่ายไฟไปยังเครื่องมือไม่ว่าด้วยสาเหตุใด เช่น การทำงานของตัวตัดการทำงานเนื่องจาก ความผิดปกติของกราวด์ การตัดไฟของเซอร์กิต เบรกเกอร์ การถอดปลั๊กโดยไม่ตั้งใจ หรือระบบ ไฟฟ้าขัดข้อง ถ้าสวิตช์เลื่อนถูกล็อกไว้ที่ตำแหน่ง เปิดขณะที่เชื่อมต่อเข้ากับแหล่งจ่ายไฟ เครื่องมือ จะเริ่มทำงานโดยไม่คาดคิด

ถ้าต้องการให้เครื่องมือเริ่มทำงาน ให้เลื่อนสวิตช์เลื่อน (a) ไปทาง ด้านหน้าของเครื่องมือ ถ้าต้องการหยุดเครื่องมือ ให้ปล่อยสวิตช์ เลื่อนนี้ กรณีที่ต้องการใช้งานอย่างต่อเนื่อง ให้เลื่อนสวิตช์ไปทาง ด้านหน้าของเครื่องมือ และกดส่วนหน้าของสวิตช์ให้เข้าไปข้างใน ถ้าต้องการหยุดเครื่องมือขณะทำงานแบบต่อเนื่อง ให้กดส่วนหลัง ของสวิตช์เลื่อนแล้วปล่อย

ตัวล๊อคแกนหมุน (รูป 1)

ตัวล๊อคแกนหมุน (b) มีไว้เพื่อป้องกันแกนหมุนไม่ให้หมุนในเวลา ที่ติดตั้งหรือถอดแผ่นเจียร ใช้ตัวล๊อคแกนหมุนเฉพาะเมื่อได้ปิด เครื่องมือ ถอดปลั๊กออกจากแหล่งจ่ายไฟ และแผ่นเจียรหยุด สนิทแล้ว



หมายเหตุ: เพื่อลดความเสี่ยงที่จะเกิดกับเครื่อง มือ อย่าใช้ตัวล๊อคแกนหมุนในขณะที่เครื่องมือกำลัง ทำงานอยู่ มิฉะนั้นอาจทำให้เครื่องมือได้รับความ

เสียหายได้ อุปกรณ์เสริมอาจหลุดออกมาและทำให้เกิดการบาดเจ็บได้

ถ้าต้องการใช้งานตัวล็อกแกนหมุน ให้กดปุ่มล็อกแกนหมุนแล้วหมุนแกนด้านนอกจนกว่าจะหยุด

การใช้งานกับโลหะ

เมื่อจะใช้เครื่องมือในการทำงานกับโลหะ ต้องแน่ใจว่าได้มีการใส่อุปกรณ์ป้องกันกระแสไฟฟ้ารั่ว (RCD) เพื่อหลีกเลี่ยงอันตรายที่เกิดจากเศษโลหะ

ถ้าอุปกรณ์ป้องกันกระแสไฟฟ้ารั่ว (RCD) เป็นสาเหตุให้เกิดการตัดไฟ โปรดส่งเครื่องมือตั้งกล่าวไปยังตัวแทนจำหน่ายที่ได้รับอนุญาตของ Stanley เพื่อทำการซ่อม



คำเตือน: ในสภาพการทำงานหนัก อาจมีกระแสลมฝุ่นเป็นสื่อนำไฟฟ้าภายในตัวเครื่องในเวลาทำงานกับโลหะ ในกรณีนี้อาจทำให้เกิดอันตรายจากไฟช็อตได้ เนื่องจากฝุ่นนี้อาจส่งผลให้ฉนวนป้องกันในเครื่องเจียรเสื่อมประสิทธิภาพ

เพื่อหลีกเลี่ยงการสะสมเศษโลหะภายในเครื่องเจียร เราขอแนะนำให้ทำความสะอาดช่องระบายอากาศทุกวัน โปรดดู การบำรุงรักษา

การใช้งานแผ่นเจียร



คำเตือน: ผงโลหะที่สะสม การใช้งานแผ่นเจียรกับงานโลหะมากเกินไปอาจเพิ่มความเสี่ยงจากการถูกไฟฟ้ช็อต เพื่อลดความเสี่ยงนี้ ให้ใส่อุปกรณ์ RCD ก่อนใช้งาน และทำความสะอาดช่องระบายอากาศทุกวัน โดยการเป่าลมอัดที่แห้งเข้าไปในช่องระบายอากาศ โดยปฏิบัติตามคำแนะนำด้านล่าง

การบำรุงรักษาการ

เครื่องมือไฟฟ้า Stanley ออกแบบมาเพื่อให้สามารถใช้งานได้ยาวนานต่อเนื่องโดยมีการบำรุงรักษาที่น้อยที่สุด การทำงานที่สร้างความพึงพอใจอย่างต่อเนื่องจะขึ้นอยู่กับ การดูแลรักษาที่เหมาะสมและการทำความสะอาดอย่างสม่ำเสมอ



คำเตือน: เพื่อลดความเสี่ยงของการบาดเจ็บสาหัส ให้ปิดเครื่องมือและถอดแบตเตอรี่ก่อนทำการปรับหรือการถอดติดตั้งอุปกรณ์ต่อพ่วงหรืออุปกรณ์เสริมใดๆ ก่อนการประกอบเครื่องมือ ให้กดและปล่อยสวิตช์ไว้เพื่อให้แน่ใจว่าเครื่องมือปิดอยู่



การหล่อลื่น

เครื่องมือนี้ไม่ต้องการใช้สารหล่อลื่นแยกต่างหาก



การทำความสะอาด



คำเตือน: พื้นที่ที่เห็นฝุ่นสะสมในช่องระบายอากาศและบริเวณโดยรอบ ให้ใช้ลมแห้งเป่าฝุ่นและสิ่งสกปรกออกจากตัวเครื่อง คุณต้องสวมอุปกรณ์ป้องกันดวงตาและหน้ากากกันฝุ่นที่ได้มาตรฐานในขณะที่ดำเนินการขั้นตอนนี้



คำเตือน: ห้ามใช้สารที่เป็นตัวทำละลายหรือสารเคมีที่มีฤทธิ์กัดกร่อนรุนแรงทำความสะอาดชิ้นส่วนที่ไม่ใช่โลหะของเครื่องมือ สารเคมีเหล่านี้อาจส่งผลต่อวัสดุที่ใช้ในชิ้นส่วนเหล่านี้ การทำความสะอาดเครื่องให้ใช้สบู่อ่อนและผ้าชุบน้ำหมาดๆ เท่านั้น อย่าให้มีของเหลวใดๆ เข้าไปในเครื่องมือเด็ดขาด ห้ามจุ่มส่วนใดๆ ของเครื่องมือลงในของเหลวเด็ดขาด

อุปกรณ์เสริม



คำเตือน: เนื่องจากอุปกรณ์เสริมอื่นนอกเหนือจากที่ Stanley มีจำหน่าย ไม่ได้ผ่านการทดสอบร่วมกับผลิตภัณฑ์นี้ จึงอาจเป็นอันตรายต่อความปลอดภัย หากใช้อุปกรณ์เสริมดังกล่าวร่วมกับเครื่องมือนี้ เพื่อเป็นการลดความเสี่ยงจากการได้รับบาดเจ็บ ให้ใช้อุปกรณ์เสริมเฉพาะที่ Stanley แนะนำให้ใช้ร่วมกับผลิตภัณฑ์นี้เท่านั้น

โปรดสอบถามข้อมูลเพิ่มเติมเกี่ยวกับอุปกรณ์เสริมที่เหมาะสมจากตัวแทนจำหน่ายของคุณ

การปกป้องสิ่งแวดล้อม



การคัดแยกและการรีไซเคิล ห้ามทิ้งผลิตภัณฑ์นี้ร่วมกับขยะในครัวเรือนปกติ



การคัดแยกและการรีไซเคิลผลิตภัณฑ์และบรรจุภัณฑ์ที่ใช้แล้ว ช่วยให้สามารถรีไซเคิลและนำวัสดุกลับมาใช้งานได้อีก การนำวัสดุรีไซเคิลมาใช้ใหม่จะช่วยป้องกันมลพิษต่อสิ่งแวดล้อมและลดความต้องการวัตถุดิบ

กฎระเบียบอาจมีการกำหนดโดยคณะกรรมการในท้องถิ่นของคุณ และผู้ค้าปลีกที่ขายสินค้าให้มาอาจจัดให้มีศูนย์กำจัดของเสียหรือบริการรีไซเคิลอุปกรณ์ไฟฟ้า

ข้อสังเกต

- เนื่องจาก Stanley มีนโยบายพัฒนาปรับปรุงผลิตภัณฑ์อย่างต่อเนื่อง ดังนั้น เราจึงขอสงวนสิทธิ์ในการเปลี่ยนแปลงข้อมูลจำเพาะของผลิตภัณฑ์โดยไม่แจ้งให้ทราบล่วงหน้า
- อุปกรณ์มาตรฐานและอุปกรณ์เสริมอาจแตกต่างกันในแต่ละประเทศ
- ข้อมูลจำเพาะของผลิตภัณฑ์อาจแตกต่างกันในแต่ละประเทศ
- ตัวเลือกผลิตภัณฑ์อาจมีจำหน่ายไม่ครบทุกรายการในบางประเทศ โปรดสอบถามตัวเลือกผลิตภัณฑ์จากตัวแทนจำหน่ายของ Stanley ในประเทศของคุณ

MÁY MÀI GÓC

STGS6100 / STGS7100

Thông số kỹ thuật

		STGS6100	STGS7100
Công suất đầu vào	W	680	710
Tốc độ không tải/tốc độ định mức	phút ⁻¹	11,000	11,000
Đường kính đĩa mài	mm	100	100
Độ dày đĩa mài	mm	6	6
Loại đĩa mài		27	27
Đường kính trục chính	M10	M10	M10
Trọng lượng	kg	1.8	1.8

Định nghĩa: Hướng dẫn an toàn

Các định nghĩa dưới đây mô tả mức độ nghiêm trọng của từng ký hiệu. Vui lòng đọc hướng dẫn sử dụng và chú ý đến các ký hiệu này.



NGUY HIỂM: Chỉ tình huống nguy hiểm mà, nếu không phòng tránh sẽ gây tử vong hoặc chấn thương nghiêm trọng.



CẢNH BÁO: Chỉ tình huống nguy hiểm tiềm ẩn mà, nếu không phòng tránh, có thể gây tử vong hoặc chấn thương nghiêm trọng.



THẬN TRỌNG: Chỉ tình huống nguy hiểm tiềm ẩn mà, nếu không phòng tránh, có thể gây chấn thương nhẹ hoặc vừa.

LƯU Ý: Chỉ một hành động không liên quan đến chấn thương cá nhân mà, nếu không phòng tránh, có thể gây hư hỏng tài sản.



Biểu thị nguy cơ bị điện giật.



Biểu thị nguy cơ hỏa hoạn.



CẢNH BÁO: Để giảm nguy cơ chấn thương, hãy đọc hướng dẫn sử dụng.

Cảnh báo chung về an toàn cho dụng cụ điện cầm tay



CẢNH BÁO! Hãy đọc tất cả các cảnh báo và hướng dẫn về an toàn. Việc không tuân theo các cảnh báo và hướng dẫn có thể gây giật điện, cháy nổ và/hoặc chấn thương nghiêm trọng.

GIỮ LẠI TẤT CẢ CÁC CẢNH BÁO VÀ HƯỚNG DẪN ĐỂ THAM KHẢO VỀ SAU

Thuật ngữ “dụng cụ điện cầm tay” trong phần cảnh báo chỉ thiết bị chạy bằng điện nguồn (có dây điện) hoặc thiết bị chạy bằng pin (không có dây điện).

1) AN TOÀN TẠI NƠI LÀM VIỆC

- Giữ cho nơi làm việc luôn sạch sẽ và đủ ánh sáng. Những khu vực bừa bộn hoặc thiếu ánh sáng dễ gây tai nạn.
- Không vận hành dụng cụ điện cầm tay trong các môi trường dễ cháy nổ, như các môi trường có chất lỏng, khí ga hoặc bụi dễ cháy. Dụng cụ điện cầm tay tạo ra các tia lửa điện có thể gây cháy bụi hoặc bốc khói.
- Không cho trẻ em và những người quan sát lại gần khi đang vận hành dụng cụ điện cầm tay. Những lúc xao lãng có thể khiến bạn mất kiểm soát.

2) AN TOÀN ĐIỆN

- Phích cắm của dụng cụ điện cầm tay phải vừa với ổ cắm. Không sửa đổi phích cắm bằng bất kỳ cách nào. Không sử dụng các phích cắm tiếp hợp với những dụng cụ điện cầm tay có nối đất. Phích cắm nguyên trạng và ổ cắm phù hợp sẽ giúp giảm nguy cơ bị điện giật.
- Tránh tiếp xúc với các bề mặt được nối đất như đường ống, lò sưởi, bếp nướng và tủ lạnh. Nguy cơ bị điện giật sẽ cao hơn nếu cơ thể bạn tiếp xúc trực tiếp với đất.
- Không để các dụng cụ điện cầm tay ngoài trời mưa hoặc ở nơi ẩm ướt. Nước vào trong dụng cụ điện cầm tay sẽ làm tăng nguy cơ bị điện giật.
- Không dùng dây điện cho các mục đích khác. Tuyệt đối không sử dụng dây điện để mang, kéo hoặc rút phích cắm dụng cụ điện cầm tay. Để dây điện cách xa nguồn nhiệt, dầu mỡ, các cạnh sắc hoặc các bộ phận chuyển động. Dây điện bị hỏng hoặc bị vướng sẽ làm tăng nguy cơ bị điện giật.

- e) **Khi vận hành dụng cụ điện cầm tay ngoài trời, hãy sử dụng dây nối dài phù hợp để sử dụng ngoài trời.** Sử dụng dây điện phù hợp để sử dụng ngoài trời sẽ giúp giảm nguy cơ bị điện giật.
- f) **Nếu bắt buộc phải vận hành dụng cụ điện cầm tay ở nơi ẩm ướt, hãy sử dụng nguồn được bảo vệ bởi thiết bị ngắt mạch tự động (RCD).** Sử dụng RCD giúp giảm nguy cơ bị điện giật.

3) AN TOÀN CÁ NHÂN

- a) **Hãy tập trung, chú ý vào những gì bạn đang làm và tỉnh táo khi vận hành dụng cụ điện cầm tay.** Không sử dụng dụng cụ điện cầm tay khi bạn đang mệt hoặc chịu ảnh hưởng của rượu bia, ma túy hoặc chất kích thích. Chỉ một khoảnh khắc mất tập trung trong khi vận hành dụng cụ điện cầm tay cũng có thể dẫn đến chấn thương cá nhân nghiêm trọng.
- b) **Sử dụng thiết bị bảo hộ cá nhân.** Luôn đeo kính bảo hộ. Thiết bị bảo hộ như mặt nạ chống bụi, giày chống trượt, mũ cứng hoặc thiết bị bảo vệ tai - nếu được sử dụng ở những điều kiện phù hợp - sẽ giúp giảm các chấn thương cá nhân.
- c) **Tránh vô tình bật máy. Đảm bảo rằng công tắc ở vị trí tắt trước khi nối với nguồn điện và/hoặc pin, khi cầm lên hoặc mang dụng cụ.** Việc cầm dụng cụ điện cầm tay khi ngón tay đặt vào công tắc hoặc sạc pin cho dụng cụ điện cầm tay khi công tắc đang bật có thể gây tai nạn.
- d) **Hãy tháo hết khóa điều chỉnh hoặc cờ lê trước khi bật dụng cụ điện cầm tay.** Cờ lê hoặc khóa vẫn để ở bộ phận quay của dụng cụ điện cầm tay có thể dẫn đến chấn thương cá nhân.
- e) **Không với tay. Hãy đứng ở tư thế thích hợp và luôn giữ thăng bằng.** Điều đó giúp kiểm soát dụng cụ điện cầm tay tốt hơn trong các tình huống bất ngờ.
- f) **Mặc quần áo phù hợp. Không mặc quần áo rộng hoặc đeo đồ trang sức. Giữ cho tóc, quần áo và găng tay tránh xa các bộ phận chuyển động.** Quần áo rộng, đồ trang sức hoặc tóc dài có thể bị mắc vào các bộ phận chuyển động.
- g) **Nếu các thiết bị được cung cấp để nối các phương tiện hút và gom bụi, hãy đảm bảo những thiết bị này được nối và sử dụng đúng cách.** Sử dụng thiết bị gom bụi có thể giảm các nguy cơ liên quan đến bụi.

4) SỬ DỤNG VÀ BẢO QUẢN DỤNG CỤ ĐIỆN CẦM TAY

- a) **Sử dụng dụng cụ điện cầm tay phù hợp. Sử dụng dụng cụ điện cầm tay phù hợp với mục đích của bạn.** Sử dụng dụng cụ điện cầm tay phù hợp sẽ giúp bạn làm việc hiệu quả và an toàn hơn theo đúng tốc độ được thiết kế.
- b) **Không sử dụng dụng cụ điện cầm tay nếu công tắc không bật và tắt được.** Mọi dụng cụ điện cầm tay không điều khiển được bằng công tắc đều rất nguy hiểm và cần phải được sửa chữa.
- c) **Rút phích cắm dụng cụ điện cầm tay ra khỏi nguồn điện và/hoặc pin ra khỏi dụng cụ điện cầm tay trước khi thực hiện các điều chỉnh, thay phụ kiện hoặc bảo quản dụng cụ điện cầm tay.** Các biện pháp an toàn phòng ngừa đó giúp giảm nguy cơ vô tình khởi động dụng cụ điện cầm tay.
- d) **Bảo quản các dụng cụ điện cầm tay không sử dụng tránh xa tầm tay trẻ em và không cho phép những người không quen với dụng cụ điện cầm tay hoặc những hướng dẫn này vận hành dụng cụ điện cầm tay.** Dụng cụ điện cầm tay sẽ rất nguy hiểm khi được sử dụng bởi những người chưa được huấn luyện.
- e) **Bảo trì dụng cụ điện cầm tay. Kiểm tra các bộ phận di chuyển xem có bị lắp lệch hoặc kẹt không, các bộ phận có bị vỡ không và bất kỳ tình trạng nào khác có thể ảnh hưởng đến việc vận hành dụng cụ điện cầm tay.** Nếu dụng cụ điện cầm tay bị hỏng, hãy sửa chữa trước khi sử dụng. Rất nhiều tai nạn xảy ra do công tác bảo trì các dụng cụ điện cầm tay kém.
- f) **Đảm bảo các dụng cụ cắt luôn sắc và sạch sẽ.** Các dụng cụ cắt được bảo trì đúng cách với các cạnh cắt sắc sẽ ít bị kẹt hơn và dễ điều khiển hơn.
- g) **Sử dụng dụng cụ điện cầm tay, các phụ kiện và mũi khoan, v.v. theo các hướng dẫn này, chú ý đến các điều kiện làm việc và công việc cần thực hiện.** Sử dụng dụng cụ điện cầm tay sai mục đích có thể gây nguy hiểm.

5) BẢO DƯỠNG

- a) **Hãy để nhân viên bảo dưỡng có chuyên môn tiến hành bảo dưỡng dụng cụ điện cầm tay cho bạn và chỉ sử dụng các bộ phận thay thế chính hãng.** Điều này giúp đảm bảo độ an toàn của dụng cụ điện đó.

CÁC QUY TẮC AN TOÀN CỤ THỂ BỔ SUNG

Hướng dẫn an toàn cho mọi hoạt động

- a) **Dụng cụ điện cầm tay này được thiết kế để hoạt động như máy mài. Đọc kỹ mọi cảnh báo an toàn, hướng dẫn, minh họa và thông số kỹ thuật đi kèm theo dụng cụ điện cầm tay này.** Việc không tuân theo tất cả các hướng dẫn được liệt kê bên dưới có thể dẫn đến điện giật, cháy và/hoặc chấn thương nghiêm trọng.
- b) **Không nên dùng dụng cụ điện cầm tay này cho các công việc cắt, chà nhám, chà ri hoặc đánh bóng.** Các công việc không phù hợp với thiết kế của dụng cụ điện cầm tay này có thể gây nguy hiểm và chấn thương cá nhân.
- c) **Không sử dụng các phụ kiện không được thiết kế chuyên biệt và không được nhà sản xuất dụng cụ khuyến dùng.** Mặc dù có thể gắn phụ kiện vào dụng cụ điện cầm tay của bạn, nhưng điều đó không đảm bảo nó sẽ vận hành an toàn.
- d) **Tốc độ định mức của phụ kiện tối thiểu phải bằng với tốc độ tối đa được ghi trên dụng cụ điện cầm tay.** Các phụ kiện chạy nhanh hơn tốc độ định mức của chúng có thể vỡ và văng ra xa.
- e) **Đường kính ngoài và độ dày của phụ kiện phải nằm trong định mức kích cỡ của dụng cụ điện cầm tay.** Nếu sử dụng phụ kiện có kích thước không đúng ta sẽ không thể bảo vệ và kiểm soát tốt dụng cụ.
- f) **Kích cỡ tâm của các đĩa mài, mặt bích, bạc lót hoặc các phụ kiện khác phải vừa khít với trục chính của dụng cụ điện cầm tay.** Các phụ kiện có lỗ tâm không khớp với vòng gá của dụng cụ điện cầm tay sẽ gây mất cân bằng, rung quá mức và có thể gây mất kiểm soát.
- g) **Không sử dụng phụ kiện bị hỏng.** Trước khi dùng phải kiểm tra phụ kiện như đĩa mài có bị mòn không, có bị nứt, có mặt không, bạc lót có bị nứt, rách hoặc mòn quá không, chốt kim loại có bị lỏng hay dây có bị gãy không. Nếu để rơi dụng cụ điện cầm tay, phải kiểm tra xem dụng cụ có bị hỏng không và lắp lại phần phụ kiện chưa bị hỏng. Sau khi kiểm tra và lắp phụ kiện, bạn và những người quan sát nên đứng tránh xa mặt phẳng quay của phụ kiện và chạy

dụng cụ điện cầm tay ở tốc độ không tải tối đa trong một phút. Các phụ kiện bị hỏng thường sẽ vỡ thành từng mảnh trong thời gian chạy thử này.

- h) **Đeo thiết bị bảo hộ cá nhân.** Tùy thuộc vào mục đích sử dụng, có thể dùng tấm che mặt, kính bảo hộ hoặc kính an toàn. Nếu có thể, đeo mặt nạ chống bụi, dụng cụ bảo vệ tai, găng tay và tạp dề công nhân có khả năng cản các mảnh vỡ của phôi gia công hoặc mảnh vụn mài nhỏ. Kính bảo hộ phải có khả năng cản các mảnh vụn văng ra được tạo ra từ nhiều thao tác khác nhau. Mặt nạ chống bụi hoặc khẩu trang phải có khả năng lọc các hạt sinh ra trong quá trình vận hành. Tiếp xúc với tiếng ồn cường độ cao trong thời gian dài có thể gây giảm thính lực.
- i) **Đảm bảo những cá nhân không liên quan luôn cách khu vực làm việc một khoảng cách an toàn.** Mọi người đi vào khu vực làm việc đều phải đeo thiết bị bảo hộ cá nhân. Các mảnh vụn phôi gia công hoặc phụ kiện vỡ có thể văng ra và gây chấn thương ngay trong khu vực vận hành.
- j) **Chỉ cầm dụng cụ điện cầm tay ở phần bề mặt tay cầm cách điện, khi thực hiện thao tác mà phụ kiện cắt có thể tiếp xúc với hệ thống dây điện chìm hoặc dây điện của chính dụng cụ.** Phụ kiện cắt tiếp xúc với dây điện "có điện" có thể truyền điện cho các bộ phận kim loại hở của dụng cụ điện cầm tay và có thể khiến người vận hành bị điện giật.
- k) **Đặt dây điện cách xa phụ kiện đang quay.** Nếu bạn mất kiểm soát, dây điện có thể bị cắt hoặc bị vướng vào và bàn tay hoặc cánh tay của bạn có thể bị cuốn vào phụ kiện đang quay.
- l) **Tuyệt đối không đặt dụng cụ điện cầm tay xuống khi phụ kiện chưa dừng hẳn.** Phụ kiện quay có thể găm vào bề mặt và kéo dụng cụ điện cầm tay ra khỏi tầm kiểm soát của bạn.
- m) **Không cầm dụng cụ điện cầm tay ở sát người khi vận hành dụng cụ điện cầm tay.** Vô tình tiếp xúc với phụ kiện đang quay có thể làm quần áo bị vướng vào, kéo phụ kiện vào người.
- n) **Thường xuyên vệ sinh các lỗ thông khí của dụng cụ điện cầm tay.** Quạt của động cơ sẽ hút bụi bên trong vỏ dụng cụ và để bột kim loại tích lũy quá nhiều có thể gây ra nguy hiểm về điện.

- o) **Không vận hành dụng cụ điện cầm tay gần các vật liệu dễ cháy.** Tia lửa có thể làm các vật liệu này bốc cháy.
- p) **Không sử dụng các phụ kiện cần có chốt làm mát dạng lỏng.** Sử dụng nước hoặc chất làm mát dạng lỏng khác có thể khiến bạn bị điện giật.

làm kẹt phụ kiện đang quay và gây mất kiểm soát hoặc lực giật lại.

- e) **Không gắn lưỡi cưa gỗ dạng xích hoặc lưỡi cưa có răng.** Những lưỡi cưa này thường xuyên tạo ra lực giật lại và gây mất kiểm soát.

HƯỚNG DẪN AN TOÀN BỔ SUNG CHO MỌI HOẠT ĐỘNG

Lực giật lại và các cảnh báo liên quan

Lực giật lại là phản lực bất ngờ của đĩa mài, bạc lót, chổi than hoặc bất kỳ phụ kiện đang quay nào khác bị kẹt hoặc bị vướng. Khi bị vướng hoặc kẹt, phụ kiện đang quay sẽ dừng lại nhanh chóng khiến cho người vận hành bị mất kiểm soát và dụng cụ điện cầm tay bị đẩy theo chiều ngược lại với chiều quay của phụ kiện tại điểm kẹt.

Ví dụ: nếu đĩa mài bị vướng hoặc kẹt vào phôi gia công, cạnh của đĩa mài đang tiến vào điểm kẹt có thể cắm sâu vào bề mặt của vật liệu khiến cho đĩa này lên hoặc văng ra. Đĩa mài có thể văng về phía người vận hành hoặc văng ra ngoài, tùy thuộc vào chiều chuyển động của đĩa mài tại thời điểm bị kẹt. Đĩa mài cũng có thể vỡ ra trong điều kiện này.

Lực giật lại là hậu quả của việc dùng dụng cụ không đúng cách và/hoặc quy trình vận hành không chính xác hoặc các điều kiện khác và có thể phòng tránh được bằng cách thực hiện các biện pháp phòng ngừa như sau:

- a) **Cầm chắc dụng cụ điện cầm tay đồng thời định vị người và tay để bạn có thể cân được lực giật lại. Luôn sử dụng tay cầm phụ, nếu có, để kiểm soát tối đa lực giật lại hoặc phân lực mômen trong quá trình khởi động.** Người vận hành có thể kiểm soát phản lực mô men hoặc lực giật lại nếu thực hiện các biện pháp phòng ngừa thích hợp.
- b) **Tuyệt đối không để tay gần phụ kiện đang quay.** Phụ kiện có thể đẩy ngược vào tay bạn.
- c) **Không đứng trong khu vực mà dụng cụ điện cầm tay có thể sẽ chuyển động tới khi xảy ra hiện tượng đẩy ngược.** Lực giật lại sẽ đẩy dụng cụ theo hướng ngược lại với hướng chuyển động của đĩa mài tại điểm bị kẹt.
- d) **Đặc biệt chú ý khi làm việc với các góc, cạnh sắc, v.v. Tránh làm nảy và kẹt phụ kiện.** Các góc, cạnh sắc hoặc gờ nổi có xu hướng

Cảnh báo an toàn riêng khi Mài

- a) **Chỉ sử dụng loại đĩa mài được khuyến dùng cho dụng cụ điện cầm tay của bạn và vành chắn riêng được thiết kế cho đĩa mài đã chọn.** Đĩa mài không được thiết kế cho dụng cụ điện cầm tay này sẽ không được bảo vệ thích đáng và không an toàn.
- b) **Vành chắn phải được gắn chắc chắn vào dụng cụ điện cầm tay và định vị để đảm bảo an toàn tối đa, sao cho phần đĩa mài lộ ra ngoài hướng về người vận hành là nhỏ nhất.** Vành chắn giúp bảo vệ người vận hành khỏi mảnh vụn của đĩa mài bị vỡ và tránh vô tình tiếp xúc với đĩa mài cũng như các tia lửa điện có thể gây cháy quần áo.
- c) **Chỉ sử dụng đĩa mài cho các ứng dụng được khuyến nghị.** Ví dụ: không mài bằng cạnh của đĩa cắt. Đĩa mài cắt được sử dụng để mài cạnh biên; lực bên tác dụng vào các đĩa này có thể làm cho đĩa bị vỡ.
- d) **Luôn sử dụng mặt bích đĩa mài còn tốt, có kích thước và hình dạng phù hợp với đĩa mài đã chọn.** Mặt bích đĩa mài phù hợp sẽ đỡ được đĩa mài, do đó làm giảm nguy cơ vỡ đĩa. Mặt bích cho đĩa cắt có thể khác với mặt bích đĩa mài.
- e) **Không sử dụng đĩa mài đã mòn của các dụng cụ điện cầm tay lớn hơn.** Đĩa mài được sử dụng cho dụng cụ điện cầm tay lớn hơn không thích hợp với tốc độ cao hơn của dụng cụ nhỏ hơn và có thể bị vỡ.

Các nguy cơ khác

Kể cả việc áp dụng các quy tắc an toàn liên quan và dùng các thiết bị an toàn cũng không thể tránh được một số nguy cơ khác. Những nguy cơ này gồm:

- Suy giảm thính lực
- Nguy cơ chấn thương cá nhân do các hạt bay vào người.
- Nguy cơ bị bỏng do các phụ kiện trở nên nóng trong quá trình vận hành.
- Nguy cơ chấn thương cá nhân do sử dụng trong thời gian dài.
- Nguy cơ hít phải bụi từ các chất độc hại.

Ký hiệu trên dụng cụ

Những ký hiệu sau được in trên dụng cụ:



Đọc kỹ hướng dẫn sử dụng trước khi dùng.



Hãy đeo thiết bị bảo vệ tai.



Hãy đeo kính bảo hộ.

VỊ TRÍ MÃ VẠCH NGÀY (HÌNH 1)

Mã vạch ngày (n), bao gồm năm sản xuất, được in trên vỏ dụng cụ.

Ví dụ:

2014 XX JN

Năm sản xuất

Thiết bị trong hộp

Hộp sản phẩm này bao gồm:

1 Máy mài góc

1 Vành chắn

1 Bộ mặt bích

1 Cờ lê

1 Tay cầm

1 Hướng dẫn sử dụng

- Kiểm tra dụng cụ, các bộ phận và phụ kiện xem có bị hư hỏng trong quá trình vận chuyển không.
- Dành ít phút để đọc và hiểu hướng dẫn sử dụng này trước khi sử dụng dụng cụ.

Mô tả (Hình 1)



CẢNH BÁO: Tuyệt đối không sửa đổi dụng cụ điện cầm tay hay bất kỳ bộ phận nào của dụng cụ, nếu không việc này có thể khiến dụng cụ bị hỏng hoặc gây chấn thương cá nhân nghiêm trọng.

- Công tắc BẬT/TẮT
- Khóa trục chính
- Vành chắn

MỤC ĐÍCH THIẾT KẾ

Máy mài góc này được thiết kế dành riêng cho công việc mài.

Không sử dụng các loại đĩa nhám và đĩa mài nào ngoài những loại đĩa lõm tâm.

Không sử dụng dụng cụ ở những nơi ẩm ướt hoặc có chất lỏng hoặc khí dễ cháy.

Máy mài góc công suất cao này là dụng cụ điện cầm tay chuyên nghiệp.

Không để trẻ em tiếp xúc với dụng cụ này. Cần phải có người giám sát khi dụng cụ này được vận hành bởi người chưa có kinh nghiệm.

An toàn thiết bị điện

Dụng cụ này phù hợp với một mức điện áp duy nhất. Đảm bảo kiểm tra xem điện áp của nguồn điện có phù hợp với điện áp trên tấm định mức hay không.



Dụng cụ Stanley này được cách điện kép, do đó không cần dây nối đất.

Khi dây điện bị hỏng, hãy gửi tới trung tâm dịch vụ của Stanley để thay thế bằng dây điện đặc biệt có sẵn.

Sử dụng dây nối dài

Nếu cần dây nối dài, hãy chọn loại dây nối dài 3 pha đã được kiểm tra và phù hợp với công suất đầu vào (xem phần Thông số kỹ thuật) của dụng cụ này. Kích thước dây dẫn tối thiểu là 1,5 mm², chiều dài tối đa là 30 m.

Khi sử dụng tang dây, đảm bảo kéo hết dây ra.

Lắp ráp và điều chỉnh



CẢNH BÁO: Để giảm thiểu nguy cơ chấn thương cá nhân nghiêm trọng, hãy tắt dụng cụ điện cầm tay rồi rút tất cả các phích cắm trước khi điều chỉnh hoặc tháo/lắp bất kỳ phụ kiện nào. Trước khi lắp lại dụng cụ, nhấn rõ nhả công tắc khởi động để đảm bảo đã tắt dụng cụ.

Lắp và tháo vành chắn đĩa mài (Hình 2)



CẢNH BÁO: Để giảm thiểu nguy cơ chấn thương cá nhân nghiêm trọng, hãy tắt dụng cụ điện cầm tay rồi rút tất cả các phích cắm trước khi điều

chính hoặc tháo/lắp bất kỳ phụ kiện nào. Trước khi lắp lại dụng cụ, nhấn rời nhà công tắc khởi động để đảm bảo đã tắt dụng cụ.

LẮP VÀNH CHẮN

1. Đặt máy mài góc trên bàn làm việc, rãnh hướng lên trên.
2. Đưa mặt bích của vành chắn (c) qua rãnh (l) của vỏ hộp số.
3. Xoay vành chắn (c) ngược chiều kim đồng hồ theo góc 150°.
4. Đảm bảo vặn chặt vít (k).

THÁO VÀNH CHẮN

1. Vặn lỏng vít (k) trên vành chắn.
2. Kéo vành chắn (c) lên.



CẢNH BÁO: Không vận hành dụng cụ khi chưa lắp vành chắn.

Lưu ý: Xem biểu đồ phụ kiện mài ở cuối phần này để biết các phụ kiện có thể được sử dụng cho máy mài góc này.

Lắp và tháo đĩa mài (Hình 3, 4)



CẢNH BÁO: Không sử dụng đĩa mài hỏng.

1. Đặt dụng cụ trên bàn làm việc, rãnh hướng lên trên.
2. Lắp mặt bích trong (d) vào trục ra (e) (Hình 3).
3. Đặt đĩa mài (f) lên mặt bích trong (d). Khi lắp đĩa mài có lỗ tâm nhỏ ra, đảm bảo rằng lỗ tâm nhỏ ra (g) quay về phía mặt bích trong (d).
4. Vặn chặt mặt bích ngoài (h) vào trục ra (e) (Hình 4). Khi lắp đĩa mài, vòng trên cùng của mặt bích ngoài (h) phải quay về phía đĩa mài.
5. Nhấn khóa trục chính (b) và cố định trục chính (e) cho tới khi khóa vào vị trí.
6. Sử dụng cờ lê lục lăng để vặn chặt mặt bích ngoài (h).

Chuẩn bị trước khi sử dụng

- Lắp vành chắn và đĩa mài phù hợp. Không sử dụng đĩa mài quá mòn.
- Đảm bảo lắp chính xác mặt bích trong và ngoài.
- Đảm bảo đĩa mài đang quay theo hướng của các mũi tên trên phụ kiện và dụng cụ.

Vận hành (Hình 5)

Hướng dẫn



CẢNH BÁO: Luôn tuân theo các hướng dẫn và quy tắc hiện hành về an toàn.



CẢNH BÁO: Để giảm thiểu nguy cơ chấn thương cá nhân nghiêm trọng, hãy tắt dụng cụ điện cầm tay rồi rút tất cả các phích cắm trước khi điều chỉnh hoặc tháo/lắp bất kỳ phụ kiện nào. Trước khi lắp lại dụng cụ, nhấn rời nhà công tắc khởi động để đảm bảo đã tắt dụng cụ.



CẢNH BÁO:

- Đảm bảo cố định tất cả các vật liệu cần mài vào đúng chỗ.
- Tác dụng lực nhẹ lên dụng cụ. Không tác dụng lực ngang lên đĩa mài.
- Tránh vận hành quá tải. Nếu dụng cụ nóng lên, hãy để dụng cụ quay không tải trong vài phút.

1. Đảm bảo cầm chắc dụng cụ bằng cả hai tay (một tay cầm vào vỏ dụng cụ, tay còn lại cầm vào tay cầm bên). Khởi động dụng cụ rồi đưa đĩa mài vào phôi gia công.
2. Giữ cạnh của đĩa mài nghiêng từ 15° tới 30° so với bề mặt của phôi gia công.
3. Khi sử dụng đĩa mài mới, không vận hành đĩa mài theo hướng B, nếu không, đĩa mài sẽ cắt vào phôi gia công. Khi cạnh của đĩa mài đã được làm tròn, bạn có thể vận hành máy mài theo hướng A hoặc B.

Khởi động và dừng (Hình 1)



CẢNH BÁO: Trước khi sử dụng dụng cụ, kiểm tra xem đã vặn chặt tay cầm hay chưa. Kiểm tra xem công tắc BẬT/TẮT có hoạt động bình thường không.

Trước khi cắm phích cắm dụng cụ vào nguồn điện, kiểm tra xem công tắc có ở vị trí OFF (o) khi nhấn phần sau của công tắc không.

Để khởi động dụng cụ, nhấn phần sau của công tắc rồi trượt nó về phía trước. Sau đó, nhấn phần trước của công tắc để khóa. Nhấn phần sau của công tắc để dừng dụng cụ.



CẢNH BÁO: Không bật hoặc tắt dụng cụ khi đang chạy có tải.

Vị trí tay phù hợp (Hình 6)



CẢNH BÁO: Để giảm nguy cơ chấn thương cá nhân nghiêm trọng, **LUÔN** để tay ở vị trí phù hợp như được mô tả trong hình vẽ.



CẢNH BÁO: Để giảm nguy cơ chấn thương cá nhân nghiêm trọng, **LUÔN** giữ chặt tay để tránh trường hợp bị giật lại đột ngột.

Vị trí tay phù hợp yêu cầu một tay đặt lên tay cầm bên (hình 1), còn tay kia đặt lên thân máy, như mô tả trong hình 6.

Các loại công tắc



THẬN TRỌNG: Giữ chắc thân máy để có thể kiểm soát máy ngay từ khi khởi động, trong quá trình sử dụng và cho đến khi đĩa mài hoặc phụ kiện ngừng quay. Đảm bảo để đĩa mài dừng hoàn toàn trước khi đặt dụng cụ xuống.

LƯU Ý: Để giảm tình trạng máy chuyển động không theo mong muốn, không bật hoặc tắt máy khi đang hoạt động có tải. Để cho máy mài chạy đến tốc độ tối đa trước khi chạm vào bề mặt phải. Nâng dụng cụ lên khỏi bề mặt phải trước khi tắt dụng cụ. Chờ dụng cụ ngừng quay rồi đặt xuống.

CÔNG TẮC TRƯỢT (Hình 3)



CẢNH BÁO: Trước khi cắm dụng cụ vào nguồn điện, đảm bảo công tắc trượt ở vị trí tắt bằng cách ấn vào phần sau của công tắc rồi nhả ra. Đảm bảo công tắc trượt ở vị trí tắt như mô tả ở bên trên sau khi nguồn cấp điện vào máy bị gián đoạn, như lúc bật thiết bị ngắt mạch tự động, gạt cầu dao, vô tình rút phích cắm hoặc mất điện. Nếu công tắc trượt ở vị trí bật khi nguồn điện được cấp lại, máy sẽ khởi động bất ngờ.

Để khởi động dụng cụ, trượt công tắc trượt (a) về phía trước dụng cụ. Để dừng dụng cụ, nhả công tắc trượt. Để vận hành liên tục, trượt công tắc về phía trước dụng cụ và ấn phần phía trước của công tắc vào trong. Để dừng dụng cụ khi đang vận hành ở chế độ liên tục, ấn vào phần sau của công tắc trượt rồi nhả ra.

Khóa trực chính (Hình 1)

Khóa trực chính (b) ngăn trực ra quay trong khi lắp hoặc tháo đĩa mài. Chỉ sử dụng khóa trực chính khi đĩa tắt và rút phích cắm dụng cụ đồng thời đĩa mài dừng hẳn.



LƯU Ý: Để giảm thiểu hỏng hóc dụng cụ, không sử dụng khóa trực chính khi dụng cụ đang hoạt động. Nếu không, thao tác này có thể làm hỏng dụng cụ. Phụ kiện đã lắp có thể văng ra và gây chấn thương.

Nếu sử dụng khóa trực chính, nhấn nút khóa trực chính rồi xoay trực ra cho tới khi trực dừng lại.

Mài kim loại

Khi sử dụng dụng cụ để mài kim loại, đảm bảo lắp thiết bị ngắt mạch tự động (RCD) để tránh nguy cơ do mặt kim loại gây ra.

Nếu RCD gây ra hiện tượng cắt điện, hãy gửi dụng cụ tới đại lý được ủy quyền của Stanley để sửa chữa.



CẢNH BÁO: Trong các điều kiện làm việc khắc nghiệt, bụi dẫn điện và mặt có thể tích tụ bên trong vỏ dụng cụ khi mài phôi gia công kim loại. Điều này có thể gây ra nguy cơ bị điện giật vì lớp cách điện trong máy mài bị tổn hại.

Để tránh hiện tượng tích tụ mặt kim loại bên trong máy mài, nên vệ sinh ống thông gió hàng ngày. Xem phần **Bảo trì**.

Sử dụng đĩa mài



CẢNH BÁO: Bọt kim loại tích tụ. Thường xuyên mài kim loại có thể làm tăng nguy cơ bị điện giật. Để giảm nguy cơ này, lắp RCD trước khi sử dụng và vệ sinh các ống thông gió hàng ngày. Làm theo các hướng dẫn bảo trì dưới đây để thổi khí nén khô vào các ống thông gió.

Bảo trì

Dụng cụ điện cầm tay Stanley được thiết kế để vận hành trong thời gian dài và ít phải bảo trì nhất. Dụng cụ vận hành liên tục theo ý muốn tùy thuộc vào việc bảo quản dụng cụ đúng cách và vệ sinh thường xuyên.



CẢNH BÁO: Để giảm thiểu nguy cơ chấn thương cá nhân nghiêm trọng, hãy tắt dụng cụ điện cầm tay rồi rút tất cả các phích cắm trước khi điều chỉnh hoặc tháo/lắp bất kỳ phụ kiện nào. Trước khi lắp lại dụng cụ, nhấn rời nhà công tắc khởi động để đảm bảo đã tắt dụng cụ.



Tra dầu

Dụng cụ điện cầm tay này không cần tra thêm dầu.



Vệ sinh



CẢNH BÁO: Khi nhìn thấy bụi tích tụ trên các ống thông gió và các bộ phận xung quanh, ngay lập tức thổi bụi và mặt ra khỏi bên trong của vỏ dụng cụ bằng khí khô. Hãy đeo kính thiết bị bảo vệ mắt và mặt được chấp thuận khi thực hiện quá trình này.



CẢNH BÁO: Tuyệt đối không sử dụng các dung môi hoặc hóa chất mạnh để vệ sinh các bộ phận không làm bằng kim loại của dụng cụ. Những hóa chất này có thể làm tổn hại đến vật liệu của các bộ phận. Chỉ sử dụng xà bông nhẹ và miếng bọt biển để vệ sinh dụng cụ. Tuyệt đối không để chất lỏng lọt vào bên trong dụng cụ; không được ngâm các bộ phận của dụng cụ vào chất lỏng.

Các phụ kiện



CẢNH BÁO: Ngoại trừ các phụ kiện do Stanley cung cấp, tất cả các phụ kiện khác chưa được kiểm nghiệm về độ tương thích với sản phẩm này. Sử dụng những phụ kiện đó với dụng cụ này có thể dẫn đến các mối nguy hiểm liên quan đến an toàn. Để giảm thiểu nguy cơ chấn thương cá nhân, bạn chỉ nên sử dụng phụ kiện Stanley với sản phẩm này.

Hãy hỏi đại lý gần nhất để biết thêm thông tin về các phụ kiện phù hợp.

Bảo vệ môi trường



Phân loại và tái chế. Không thải bỏ sản phẩm này với rác thải sinh hoạt thông thường.



Phân loại và tái chế sản phẩm và bao bì đóng gói đã qua sử dụng đảm bảo tái chế và tái sử dụng vật liệu có thể sử dụng được. Tái sử dụng vật liệu có thể tái sử dụng giúp phòng tránh ô nhiễm môi trường đồng thời giảm nhu cầu vật liệu thô.

Luật lệ có thể quy định hội đồng thành phố địa phương và những người bán lẻ sản phẩm mới cung cấp các trung tâm thải bỏ rác thải hoặc dịch vụ tái chế sản phẩm điện.

Stanley đáp ứng việc thu gom và tái chế các sản phẩm hết hạn sử dụng. Để sử dụng dịch vụ này, hãy gửi lại sản phẩm của bạn cho đại lý được ủy quyền bất kỳ để tái chế.

Lưu ý

- Chính sách của Stanley không ngừng cải thiện với các sản phẩm và do đó, chúng tôi có quyền thay đổi thông số kỹ thuật sản phẩm mà không cần báo trước.
- Các thiết bị và phụ kiện chuẩn có thể khác nhau tùy theo từng quốc gia.
- Thông số kỹ thuật của sản phẩm có thể khác nhau giữa các quốc gia.
- Danh mục sản phẩm hoàn chỉnh có thể không có mặt tại tất cả các quốc gia. Liên hệ với các đại lý của Stanley tại quốc gia bạn để được cung cấp danh mục sản phẩm.

