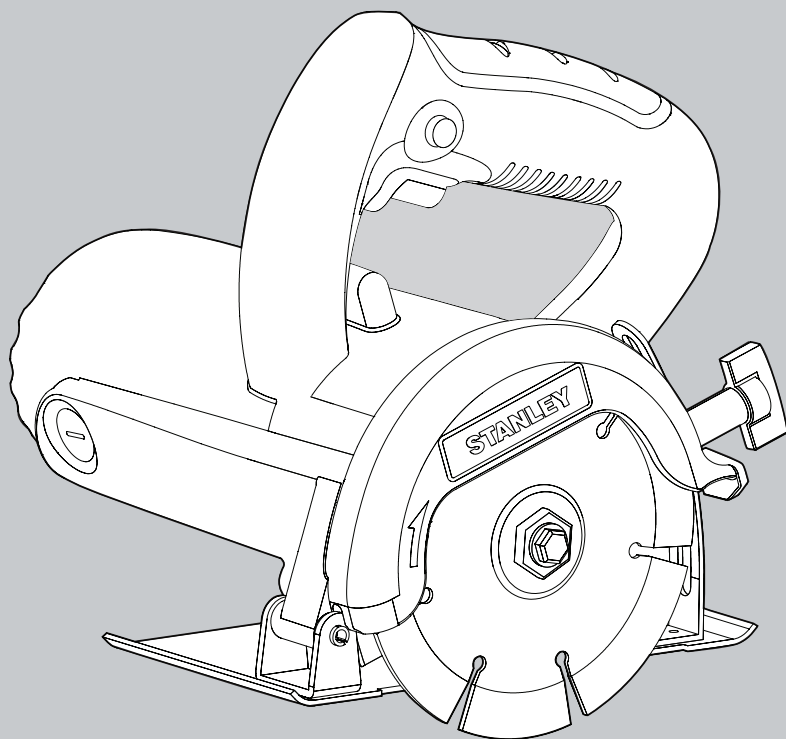
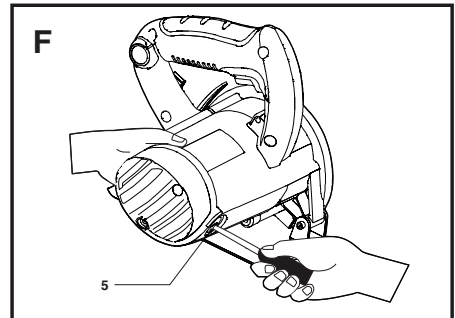
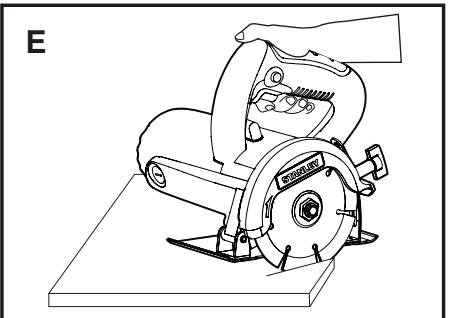
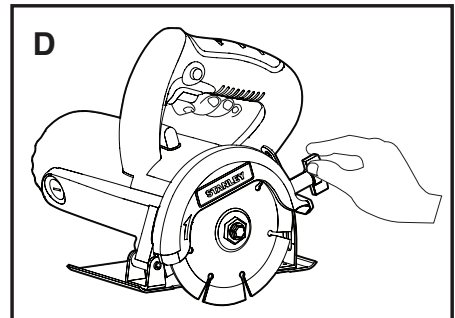
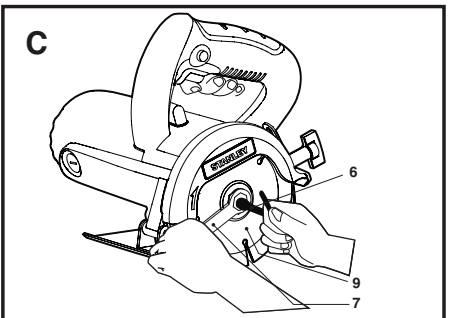
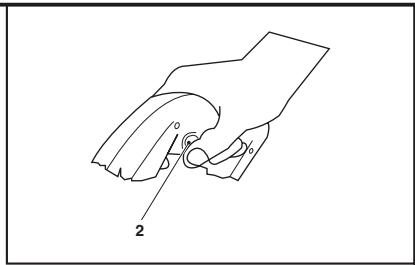
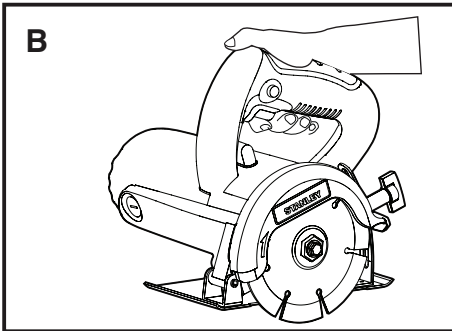
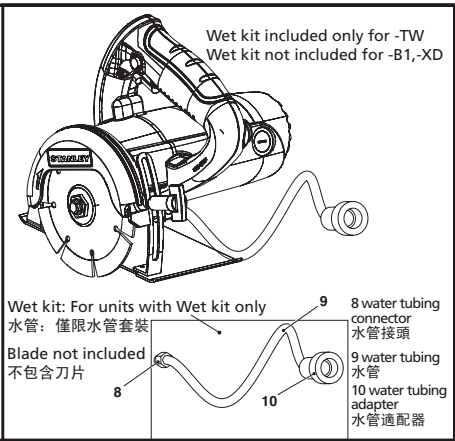
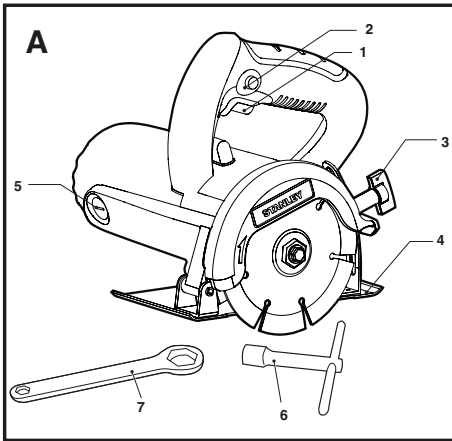


STANLEY



STSP125

English (Original Instruction)	3
繁體中文	9
BAHASA INDONESIA	13
ภาษาไทย	18
TIẾNG VIỆT	23
한국어	28



Tile Cutter STSP125

Technical Data

Specification	STSP125		
TYPE	B101	XD01	TW01
Voltage	V 220-240	220-240	110
Power	W 1,320	1,320	1,320
Frequency	Hz 50/60	50/60	60
No-load speed	rpm 13,500	13,500	13,000
Wheel diameter	mm 125	125	125
Max. depth of cut	mm 41	41	41
Spindle thread size	M7	M7	M7
Weight	kg 3.1	3.1	3.1
Cable length	m 2.5	2.5	2.5

General Power Tool Safety Warnings



WARNING: Read all safety warnings and all instructions. Failure to follow the warnings and instructions may result in electric shock, fire and/or serious injury.

Save all warnings and instructions for future reference.

The term "power tool" in the warnings refers to your mains-operated (corded) power tool or battery-operated (cordless) power tool.

1) Work area safety

- a) **Keep work area clean and well lit.** Cluttered or dark areas invite accidents.
- b) **Do not operate power tools in explosive atmospheres, such as in the presence of flammable liquids, gases or dust.** Power tools create sparks which may ignite the dust or fumes.
- c) **Keep children and bystanders away while operating a power tool.** Distractions can cause you to lose control.

2) Electrical safety

- a) **Power tool plugs must match the outlet. Never modify the plug in any way. Do not use any adapter plugs with earthed (grounded) power tools.** Unmodified plugs and matching outlets will reduce risk of electric shock.

- b) **Avoid body contact with earthed or grounded surfaces, such as pipes, radiators, ranges and refrigerators.** There is an increased risk of electric shock if your body is earthed or grounded.
- c) **Do not expose power tools to rain or wet conditions.** Water entering a power tool will increase the risk of electric shock.
- d) **Do not abuse the cord. Never use the cord for carrying, pulling or unplugging the power tool. Keep cord away from heat, oil, sharp edges or moving parts.** Damaged or entangled cords increase the risk of electric shock.
- e) **When operating a power tool outdoors, use an extension cord suitable for outdoor use.** Use of a cord suitable for outdoor use reduces the risk of electric shock.
- f) **If operating a power tool in a damp location is unavoidable, use a residual current device (RCD) protected supply.** Use of an RCD reduces the risk of electric shock.

NOTE: The term "residual current device (RCD)" may be replaced by the term "ground fault circuit interrupter (GFCI)" or "earth leakage circuit breaker (ELCB)".

3) Personal safety

- a) **Stay alert, watch what you are doing and use common sense when operating a power tool. Do not use a power tool while you are tired or under the influence of drugs, alcohol or medication.** A moment of inattention while operating power tools may result in serious personal injury.
- b) **Use personal protective equipment. Always wear eye protection.** Protective equipment such as dust mask, non-skid safety shoes, hard hat, or hearing protection used for appropriate conditions will reduce personal injuries.
- c) **Prevent unintentional starting. Ensure the switch is in the off-position before connecting to power source and/or battery pack, picking up or carrying the tool.** Carrying power tools with your finger on the switch or energising power tools that have the switch on invites accidents.
- d) **Remove any adjusting key or wrench before turning the power tool on.** A wrench or a key left attached to a rotating part of the power tool may result in personal injury.
- e) **Do not overreach. Keep proper footing and balance at all times.** This enables better control of the power tool in unexpected situa-

tions.

- f) **Dress properly. Do not wear loose clothing or jewellery. Keep your hair, clothing and gloves away from moving parts.** Loose clothes, jewellery or long hair can be caught in moving parts.
- g) **If devices are provided for the connection of dust extraction and collection facilities, ensure these are connected and properly used.** Use of dust collection can reduce dust-related hazards.
- 4) **Power tool use and care**
- a) **Do not force the power tool. Use the correct power tool for your application.** The correct power tool will do the job better and safer at the rate for which it was designed.
- b) **Do not use the power tool if the switch does not turn it on and off.** Any power tool that cannot be controlled with the switch is dangerous and must be repaired.
- c) **Disconnect the plug from the power source and/or the battery pack from the power tool before making any adjustments, changing accessories, or storing power tools.** Such preventive safety measures reduce the risk of starting the power tool accidentally.
- d) **Store idle power tools out of the reach of children and do not allow persons unfamiliar with the power tool or these instructions to operate the power tool.** Power tools are dangerous in the hands of untrained users.
- e) **Maintain power tools. Check for misalignment or binding of moving parts, breakage of parts and any other condition that may affect the power tool's operation. If damaged, have the power tool repaired before use.** Many accidents are caused by poorly maintained power tools.
- f) **Keep cutting tools sharp and clean.** Properly maintained cutting tools with sharp cutting edges are less likely to bind and are easier to control.
- g) **Use the power tool, accessories and tool bits etc. in accordance with these instructions, taking into account the working conditions and the work to be performed.** Use of the power tool for operations different from those intended could result in a hazardous situation.

5) Service

- a) **Have your power tool serviced by a qualified**

repair person using only identical replacement parts. This will ensure that the safety of the power tool is maintained.

SAFETY INSTRUCTIONS FOR ABRASIVE CUTTING-OFF OPERATIONS CUT-OFF MACHINE SAFETY WARNINGS

- a) *The guard provided with the tool must be securely attached to the power tool and positioned for maximum safety, so the least amount of wheel is exposed towards the operator. Position yourself and bystanders away from the plane of the rotating wheel. The guard helps to protect operator from broken wheel fragments and accidental contact with wheel.*
- b) *Use only diamond cut-off wheels for your power tool. Just because an accessory can be attached to your power tool, it does not assure safe operation.*
NOTE: Use the wording "diamond" as applicable depending on the designation of the tool.
- c) *The rated speed of the accessory must be at least equal to the maximum speed marked on the power tool. Accessories running faster than their rated speed can break and fly apart.*
- d) *Wheels must be used only for recommended applications. For example: do not grind with the side of cut-off wheel. Abrasive cut-off wheels are intended for peripheral grinding, side forces applied to these wheels may cause them to shatter.*
- e) *Always use undamaged wheel flanges that are of correct diameter for your selected wheel. Proper wheel flanges support the wheel thus reducing the possibility of wheel breakage.*
- f) *Do not use worn down reinforced wheels from larger power tools. Wheels intended for a larger power tool are not suitable for the higher speed of a smaller tool and may burst.*
NOTE: The above warning does not apply for tools only designated to be used with diamond wheels.
- g) *The outside diameter and the thickness of your accessory must be within the capacity rating of your power tool. Incorrectly sized accessories cannot be adequately guarded or controlled.*
- h) *The arbour size of wheels and flanges must properly fit the spindle of the power tool. Wheels and flanges with arbour holes that do not match the mounting hardware of*

the power tool will run out of balance, vibrate excessively and may cause loss of control.

- i) **Do not use damaged wheels. Before each use, inspect the wheels for chips and cracks. If power tool or wheel is dropped, inspect for damage or install an undamaged wheel. After inspecting and installing the wheel, position yourself and bystanders away from the plane of the rotating wheel and run the power tool at maximum no load speed for one minute.** Damaged wheels will normally break apart during this test time.
- j) **Wear personal protective equipment. Depending on application, use face shield, safety goggles or safety glasses. As appropriate, wear dust mask, hearing protectors, gloves and shop apron capable of stopping small abrasive or workpiece fragments.** The eye protection must be capable of stopping flying debris generated by various operations. The dust mask or respirator must be capable of filtering particles generated by your operation. Prolonged exposure to high intensity noise may cause hearing loss.
- k) **Keep bystanders a safe distance away from work area. Anyone entering the work area must wear personal protective equipment.** Fragments of workpiece or of a broken wheel may fly away and cause injury beyond immediate area of operation.
- l) **Hold the power tool by insulated gripping surfaces only, when performing an operation where the cutting accessory may contact hidden wiring or its own cord.** Cutting accessory contacting a "live" wire may make exposed metal parts of the power tool "live" and could give the operator an electric shock.
- m) **Position the cord clear of the spinning accessory.** If you lose control, the cord may be cut or snagged and your hand or arm may be pulled into the spinning wheel.
- n) **Never lay the power tool down until the accessory has come to a complete stop.** The spinning wheel may grab the surface and pull the power tool out of your control.
- o) **Do not run the power tool while carrying it at your side.** Accidental contact with the spinning accessory could snag your clothing, pulling the accessory into your body.
- p) **Regularly clean the power tool's air vents.** The motor's fan will draw the dust inside the housing and excessive accumulation of powdered metal may cause electrical hazards.

- q) **Do not operate the power tool near flammable materials.** Sparks could ignite these materials.
- r) **Do not use accessories that require liquid coolants.** Using water or other liquid coolants may result in electrocution or shock. *NOTE: The above warning does not apply for power tools specifically designed for use with a liquid system.*

Additional Safety Precautions for Marble Cutters



- ⚠ **Caution!** Do not touch exposed metal parts of the tool when cutting through walls and floors, or when in contact with electrical wiring! **Hold the tool by insulated gripping surfaces when performing an operation where the cutting tool may come in contact with concealed wiring or its own cord.** Contact with a "live" wire will make exposed metal parts of the tool "live" and this will cause electric shock to the operator.
1. **Always keep your hands away from the cutting area and the diamond wheel. Always keep the other hand on the side handle.** If you hold the tool with both hands, you will not be injured by the wheel.
 2. **Do not touch the underside of the workpiece** because the guard cannot protect the part of the wheel under the workpiece.
 3. **Always use a diamond wheel with well-matched size and center (diamond or circular shape).** Mismatched wheel and holder will result in eccentric operation and you may lose control.
 4. **Do not use any washer or bolt that is damaged or unfit in size;** otherwise you will lose control of the operation.
 5. **Do not use any grinding wheel.**
 6. **Do not use any diamond wheel that does not conform to the manufacturer's stipulations.**
 7. **Do not use any cutting wheel that has been damaged, distorted, or cracked.**
 8. **Do not operate the tool without the fixed guard.**
 9. **Do not start the tool with the cutting wheel touching the workpiece.**
 10. **After switching off the tool, put down the tool only after the cutting wheel has completely stopped running. Do not force the wheel to stop.**
 11. **Disconnect the plug from the power source and ensure that the diamond wheel is sta-**

tionary before replacing it, adjusting the cutting depth or water pipe, or repairing the tool.


12. Only hold the tool by its insulated gripping surface when the diamond wheel is likely to cut through concealed wires or its own cord. If the diamond wheel touches a "live" wire, the exposed metal parts of the power tool may be charged and thus cause electric shock to the operator.
13. Be extra cautious when "blind cutting" through walls or other blind areas because the diamond wheel may cut into gas or water piping, wires, or resilient objects.

Symbols

The label on your tool may include the following symbols:

VVolts
AAmperes
HzHertz
WWatts
minminutes
~ Alternating current
≡ Direct current
nNo load speed
Class II Double insulation
Safety alert symbol
.../minRevolutions or reciprocations per minute

Double Insulation

 The tool is double insulated. This means that all the external metal parts are electrically insulated from the mains power supply. This is done by placing insulated barriers between the electrical and mechanical components so as to make it unnecessary for the tool to be earthed. Note: Double insulation does not take the place of normal safety precautions when operating this tool. The insulation system is for added protection against injury resulting from a possible electrical insulation failure within the tool.



Read instruction manual before use.



Wear eye protection.

Electrical Safety

Always check that the power supply corresponds to the voltage on the rating plate.

Using an Extension Cable

An extension cable should not be used unless absolutely necessary. Use of an improper extension cable could result in a risk of fire and electric shock. If an extension cable must be used, use only those that are approved by the country's electrical authority. Make sure that the extension cable is in good condition before using. Always use the cable that is suitable for the power input of your tool (see technical data on name plate). The minimum conductor size is 1.5mm².

Parts (Fig. A)

This tool is designed especially for cutting tiles and stones. Wetkit included only for -TW. Wetkit not included for -B1, -XD.

- | | |
|--------------------|---------------------------|
| 1. On/Off switch | 6. Socket wrench |
| 2. Lock-on button | 7. Spanner |
| 3. Butterfly screw | 8. water tubing connector |
| 4. Base | 9. water tubing |
| 5. Brush cap | 10. water tubing adapter |

Assembly and Adjustment

Prior to assembly and adjustment, always unplug the tool.

Installing & Removing the Diamond Wheel (Fig. C) Installation

Insert the diamond wheel (9) to the spindle. Grip outside flange with spanner (7) and turn the screw counterclockwise with the socket wrench (6). Be sure to tighten clamp blot securely. Use only the recommended diamond wheel with the correct hole size.

Removing

Follow the procedures above in reverse order.

Cutting Depth Adjustment (Fig. D)

To increase or decrease the depth of cut, loosen the butterfly screw (3), move the base (4) to adjust the depth, and tighten the screw to secure the depth.

To prevent tool fault, the depth-of-cut adjustment knob has been set to the optimal position at factory default.

Users may also set the knob to a desired position at any time.

Instruction for Use

Always observe the safety instructions and applicable regulations.
Ensure that the butterfly screw (3) is properly tightened before operating the tool.

Switching On And Off (Fig. B)

To switch the tool on, press the on/off switch (1). To switch the tool off, release the on/off switch. This tool has a lock-on feature. To activate, press the on/off switch and then the lock-on button (2). To de-activate, press the on/off button again. Always switch off the tool and then the power supply when work is finished.

Cutting (Fig. E)

Align the front edge of the base with the cutting line on the workpiece. Hold the tool firmly. Set the base on the workpiece to be cut without the wheel making any contact.

Turn the tool on and wait until the wheel attains full speed.

Move the tool forward over the workpiece surface, advancing smoothly until the cut is completed.

Keep the cutting line straight.

This tool should only be used on horizontal surfaces.

Be sure to move the tool gently forward, in a straight line. Forcing, or exerting excessive pressure, or allowing the wheel to bend, pinch or twist in the cut can cause the motor to over heat and tool to kick back dangerously.

When the depth of cut is over 20mm deep, make 2 or 3 separate cuts to prevent motor failure.

Maintenance

Your Stanley power tool has been designed to operate over a long period of time with minimal maintenance. Continuous satisfactory operation depends upon proper tool care and regular cleaning. Do not repair the tool yourself. Please send your tool to authorized Stanley service centers for regular maintenance and service, or when a significant change in performance is observed.

Carbon Brushes

Carbon brushes (Fig. F)

Remove and check carbon brushes regularly. Replace when they have worn down to about 6mm or less.

Keep carbon brushes clean for free movement

in the holder. Both carbon brushes should be replaced at the same time.

Use only Stanley carbon brushes.

Use a slotted screwdriver to remove brush caps (5). Remove worn brushes, insert new ones, and secure the brush caps.

Cleaning

⚠ Warning: Unplug the tool before you use a cloth to clean the housing. With the motor running, blow dirt and dust out of all air vents with dry air at least once a week. Wear safety glasses when performing this. Exterior plastic parts may be cleaned with a damp cloth and mild detergent. Although these parts are highly solvent resistant, NEVER use solvents.

Tool Care

Avoid overloading the power tool. Overloading will result in a considerable reduction in speed and efficiency and the tool will over heat. In this case, run the power tool at no load for a minute or two until cooled to normal working temperature by the built in fan. Switching your tool on and off whilst under load will considerably reduce the life of the tool.

Important

To ensure product safety and reliability, repairs, maintenance and adjustment (other than those listed in this manual) should be performed by authorized service centers or other qualified organizations, always using identical replacement parts. Unit contains no user serviceable parts inside.


Accessories

The performance of any power tool is dependent on the accessory used. Stanley accessories are engineered to high quality standards and are manufactured from the best materials. Stringent tests are performed before the accessories are launched in the market. They are designed to enhance the performance of power tools.


Purchase Stanley accessories to bring your Stanley power tools to greater performance. Recommended Stanley accessories are available at your local authorized dealers or service centers. Stanley offers a large selection of accessories at your local dealer or authorized service center.

⚠ Note: Use only wheels rated at least equal to the maximum speed marked on the tool.

⚠ Warning: The use of any other accessory not recommended for use with this tool could be hazardous.

 Warning: Only stone-cutting diamond wheel can be used. Do not use grinding wheel or toothed blades.

Protecting The Environment

 In the event that you need to replace your tool or if it is of no further use to you, please consider the protection of the environment. Stanley recommends you to contact your local council for disposal information.

Service Information

Stanley offers a full network of our offices and authorized service locations throughout Asia. All Stanley Service Centers are staffed with trained personnel to provide customers with efficient and reliable power tool service. You may contact your nearest Stanley service center for technical advice, repair, or genuine factory replacement parts.

Notes

- ◆ Stanley's policy is one of continuous improvement to our products and as such, we reserve the right to modify product specifications without prior notice.
- ◆ Standard equipment and accessories may vary by country.
- ◆ Product specifications may differ by country.
- ◆ Complete product range may not be available in all countries. Contact your local Stanley dealers for range availability.

切石機 STSP125

技術資料

規範	STSP125		
TYPE	B101	XD01	TW01
電壓	V 220-240	220-240	110
功率	W 1,320	1,320	1,320
頻率	Hz 50/60	50/60	60
空載轉速	rpm 13,500	13,500	13,000
砂輪直徑	mm 125	125	125
最大切割深度	mm 41	41	41
重量	kg 3.1	3.1	3.1
纜線長度	m 2.5	2.5	2.5

一般安全規則



警告！請閱讀所有指示。不遵循下列的所有指示可能會導致觸電、火災及/或嚴重傷害。

請妥善保存所有警告及操作說明以備將來查閱。

下列所有警告中的名詞「電動工具」是指電源驅動（插電）電動工具，或者電池驅動（充電）電動工具。

a) 工作場所的安全

1. 保持工作空間清潔明亮。混亂或黑暗的空間會引發事故。
2. 不要在易爆環境，如有易燃液體、氣體或塵埃的環境中操作電動工具。電動工具產生的火花會點燃塵埃或氣體。
3. 請等待兒童和旁觀者離開之後才操縱電動工具。分心會導致您疏於控制。

b) 電氣安全

1. 電動工具插頭必須與插座相符。切勿以任何方式改裝電源插頭。需接地的電動工具不能使用任何配接器插頭。未經改裝的插頭和相符的插座可以減少觸電危險。
2. 避免人體接觸接地表面，如管道、散熱片和冰箱。若您的身體接地，可增加觸電危險。
3. 不得將電動工具暴露在雨中或潮濕環境中。水進入電動工具會增加觸電危險。

4. 不要濫用纜線。請勿使用纜線來搬運、拉動電動工具或拔出插頭。讓纜線遠離熱、油、銳邊和活動部件。受損或纏繞的纜線會增加觸電危險。
5. 若要在戶外使用電動工具，請使用適合戶外使用的延長電線。使用適合戶外使用的纜線可減少觸電危險。
6. 若必須在潮濕場合使用電動工具，請使用漏電保護器 (RCD)。使用 RCD 可降低觸電危險。

c) 人身安全

1. 保持警覺；在操作電動工具時，請留意所執行的操作並按照一般的常識執行。切勿在疲倦，或受到藥物、酒精或治療的影響下操作電動工具。操作電動工具期間注意力分散會導致嚴重人身傷害。
2. 使用個人防護裝置。始終佩戴護目裝備。防護裝置，例如在適當條件下可使用的防塵面具、防滑安全鞋、安全帽和聽力保護等裝置可減少人身傷害。
3. 避免意外啟動。在連接電源、插入電池組前、舉抬或搬運電動工具時，請確定開關處於關閉位置。搬運電動工具時若將手指放在開關上，或是在接通開關電源時插入插頭都會引發危險。
4. 接通電動工具之前，請卸下所有的調整鑰匙或扳手。遺留在電動工具旋轉部件上的扳手或鑰匙會導致人身傷害。
5. 不要過度伸張雙手。時刻注意腳下和身體的平衡。如此即可在發生意外的情況下更好地控制電動工具。
6. 適當穿著。不要穿寬鬆衣服或佩戴飾品。讓您的頭髮、衣服和手套遠離活動部件。寬鬆衣服、佩飾和長髮可能會捲入活動部件。
7. 若配備用於連接排屑裝置、集塵設備的裝置，請確定正確連接和使用這些裝置。使用以上設備可減少與塵埃有關的危險。

d) 電動工具的使用與注意事項

1. 不要超負荷使用電動工具。根據您的用途使用適當的電動工具。使用適當的電動工具、讓它在設計可負荷的應用內運轉，會讓您更有效、更安全地執行工作。
2. 若開關不能開啟或關閉電源，切勿使用該電動

工具。不能用開關來控制的電動工具將存在危險，必須進行維修。

3. 在執行任何調整、更換配件或儲存電動工具之前，請從電源上拔掉插頭及/或卸下電池組。這類防護性措施可降低電動工具意外啟動的風險。
4. 將閒置的電動工具儲存在兒童無法接觸的地方。並且不要讓不熟悉電動工具或對這些說明不瞭解的人員操作電動工具。電動工具在未經培訓的使用者手中會發生危險。
5. 維護電動工具。檢查活動部件是否對準或卡住、是否存在任何破損情況，或任何能影響電動工具運行的其他情況。若有損毀，必須在使用之前修理電動工具。許多事故都是由於電動工具欠缺維護所導致。
6. 保持切割刀片鋒利和清潔。經維護、切削鋒利的切割工具不會輕易卡住並可更輕鬆控制。
7. 遵循使用指示以及工作條件和所要執行的工作使用電動工具、配件和工具刀頭等。不按照設計目使用電動工具將會導致危險。

e) 檢修

1. 本電動工具必須由合格的維修人員並只採用相同的原廠部件來執行檢修。這將確保維護後電動工具的安全性。

大理石切割機的額外安全措施

⚠ 小心！ 在牆上、地板或可能會遇到帶電電線的地方切割時，切勿接觸工具暴露的金屬部分！若在執行操作時切割工具可能會接觸隱藏的電線或它本身的電線，則只能從絕緣手柄表面握住工具。若接觸到「帶電」導線，工具金屬部件表面就會「帶電」，從而導致操作人員觸電。

1. 務必讓雙手遠離切割區和金剛石砂輪。始終將另一隻手保持在側邊手柄上。如果用雙手握住工具，您不會受到砂輪的傷害。
2. 請勿觸摸工件下側，因為防護罩不能保護工件下方砂輪部分。
3. 務必使用具有相匹配的大小和中心（金剛石或圓形形狀）的金剛石砂輪。不匹配的砂輪和固定器將導致偏心操作，您可能會失去控制。

4. 不要使用已損壞或大小不適宜的的墊圈或螺柱；否則將失去對操作的控制。
5. 請不要使用任何打磨砂輪。
6. 請不要使用不符合製造商規定的任何金剛石砂輪。
7. 請不要使用已損壞、扭曲或破裂的切割砂輪。
8. 請勿在缺少固定防護罩時操作本工具。
9. 請勿在切割砂輪接觸工件時啟動該工具。
10. 關閉工具之後，僅得在切割砂輪已完全停止運行後才放下工具。不要強制讓砂輪停止。
11. 從電源拔下插頭，並確保金剛石砂輪靜止後再進行替換、調整切割深度或水管，或維修工具。
12. 僅得在金剛石砂輪可能切割到隱藏的導線或其自身的電線時握持工具的絕緣抓握表面。如果金剛石砂輪觸及「帶電」導線、電動工具的外露金屬部分可能帶電，並因而導致操作人員觸電。
13. 「盲目切割」透過牆壁或其它盲區時應加倍小心因為金剛石砂輪可切割到煤氣管或水管、電線或有彈性的物件。

符號

您的工具上可能包含下列符號：

V伏特
A安培
Hz赫茲
W瓦特
min分鐘
~交流電
—直流電
n_0空載轉速
II 類雙重絕緣
安全警告符號
.../min每分鐘旋轉或鋸切數

雙重絕緣

本工具採用雙重絕緣。這意味著所有外部的金屬零件已與主電源供電進行電氣絕緣。這是透過在電氣和機械元件之間放置絕緣屏障來實現，以不必讓工具接地。註：操作本工具時，雙重絕緣並不能取代常規的安全預防措施。絕緣系統的目的是增強保護，防止工具內可能發生的電氣絕緣故障產生

傷害。



使用前請閱讀使用手冊。



請佩戴護目鏡。

電氣安全

請務必檢查電源電壓是否與銘牌一致。

使用延長纜線

如非絕對必要，否則不要使用延長纜線。使用不適當的延長纜線會引起火災和觸電風險。如果必須使用延長纜線，僅得使用該國電力管理局批准的纜線。請確保延長纜線在使用前處於良好狀態。始終使用適合於您的工具的電源輸入的纜線（請參見銘牌上的技術資料）。導體的最小尺寸為 1.5 mm²。

零件（圖 A）

本工具特別適用於切割磚石。

1. 開啟/關閉開關
2. 鎖定按鈕
3. 蝶形螺釘
4. 底座
5. 電刷蓋
6. 套筒扳手
7. 扳手

組裝與調整

每次進行組裝和調整之前，務必先拔出工具的插頭。

安裝和取下金剛石砂輪（圖 C）安裝

將金剛石砂輪 (9) 插入到主軸。

使用扳手 (7) 夾住法蘭外側，並使用套筒扳手 (6) 逆時針旋轉螺釘。

確保擰緊夾緊螺栓。

僅得使用推薦的正確孔洞大小的金剛石砂輪。

取下

依照相反的順序執行上面的程序。

切割深度調整（圖 D）

若要增加或減小切割深度，擰松蝶形螺釘 (3)，移動底座 (4) 以調整深度，並擰緊螺釘以固定深度。

若要防止工具發生故障，切割深度調整旋鈕已設為出廠預設值的最佳位置。

使用者也可以設定旋鈕，隨時調到所需位置。

使用說明

務必遵守安全指示和適用的規則。

確保蝶形螺釘 (3) 正確擰緊，然後再操作工具。

開啟和關閉電源（圖 B）

若要開啟工具電源，請按下電源開關 (1)。

若要關閉工具電源，請放開電源開關。

此工具具有鎖定功能。若要啟動，按下電源開關，然後按鎖定按鈕 (2)。若要取消啟動，再次按下電源按鈕。

工作完成後，務必關閉工具，然後關閉電源。

切割（圖 E）

將底座的前緣與工件切割線對齊。牢牢握住工具。在工件上佈設底座，以便在切割時不讓砂輪接觸到底座。

開啟工具並等待，直到砂輪達到全速。

在工件表面將工具向前移，順利推進直至完成切割。

請保持切割線筆直。

本工具僅可在水平的表面上使用。

確保以直線軌跡向前輕緩地移動工具。施加壓迫力、過度用力或使砂輪在切口上出現彎折、擠壓或扭曲均可能會導致電動機過熱，並使工具產生危險的反衝力。

當切割深度超過 20mm 時，請單獨進行 2 或 3 次切割以防止電動機故障。

維護

Stanley 電動工具採用卓越的設計，能夠長時間使用，並且只需最少的維護。若要持續獲得滿意的操作效果，需進行正確的工具維護和定期的清潔。請勿自行維修工具。在需要定期維護和服務，或者在觀察效能發生重大改變時，請將工具送往授權的 Stanley 服務中心。

碳刷

更換碳刷（圖 F）

定期拆下碳刷進行檢查。當碳刷磨蝕到大約 6mm

或更少時，更換碳刷。
保持碳刷清潔，使其可在夾具中自由運動。更換時，應同時更換兩個碳刷。
僅可使用 Stanley 碳刷。
使用平口開槽螺絲起子拆下碳刷帽 (5)。取出磨蝕的碳刷，裝入新的碳刷，然後擰緊碳刷帽。

清潔

⚠ 警告：使用軟布清潔外殼前，請先關閉工具電源並拔下插頭。每週至少一次，在電動機運行的同時，使用乾燥的空氣吹掉所有通風口內的塵埃和灰塵。進行此操作時請佩戴護目眼鏡。您可以使用蘸上溫和洗滌劑的濕布清潔外部的塑膠部件。雖然這些部件都具有很高的抗溶性，但請勿使用溶劑型洗滌劑！

工具保養

避免令電動工具過載。過載將顯著降低運作速度和效率，並導致工具過熱。在此情況下，請空載運行電動工具一至兩分鐘，直到內建風扇將機器冷卻至正常工作溫度為止。在過載情況下開關工具將顯著降低工具的工作壽命。

重要資訊

為了確保產品安全及可靠，所有的維修、維護和調整（除了本手冊中列出的之外），都應該由授權的檢修中心或合格機構執行，並始終使用相同的替換部件。本裝置內不含使用者可檢修的部件。

配件

任何電動工具的效能都取決於所使用的配件。Stanley 配件依據高品質標準進行規劃，並採用最佳材料製造。配件上市前都執行了嚴格測試。它們旨在提高電動工具的效能。

購買 Stanley 配件，進一步提高 Stanley 電動工具的效能。當地授權的代理商或檢修中心提供推薦 Stanley 配件。


Stanley 在當地代理商或授權的檢修中心備有廣泛的配件系列供選購。

⚠ 註：僅使用額定值至少等於工具標示之最大轉速的砂輪。

⚠ 警告：使用任何不建議與本工具配合使用的其他配件會導致危險。

⚠ 警告：僅可使用用於石材切割的金剛石砂輪。請勿使用打磨砂輪或帶齒鋸片。

保護環境

 倘若您需要更換工具或此工具對您不再有用，請在處置時考慮保護環境。Stanley 建議您與當地理事會聯絡，獲得有關產品處置相關的資訊。

注意

- ◆ Stanley 的政策是持續改善我們的產品，因此，我們保留隨時修改產品規格的權利，恕不另行通知。
- ◆ 標準設備及配件可能視國家/地區而有所不同。
- ◆ 產品規格可能視國家/地區而有所不同。
- ◆ 並非在所有的國家/地區都將提供完整的產品系列。如需瞭解產品系列的供應情況，請聯絡您當地的 Stanley 代理商。

製造商:江蘇國強工具有限公司
地址:江蘇省啟東市天汾科技五金工業園
原產地:江蘇省啟東市

進口商:永安實業股份有限公司
地址:新北市三重區新北大道二段 137 號
電話:02-29994633

Pemotong Ubin STSP125

Data Teknis

Spesifikasi	STSP125			
		B101	XD01	TW01
TYPE				
Voltase	V	220-240	220-240	110
Daya	W	1,320	1,320	1,320
Frekuensi	Hz	50/60	50/60	60
Kecepatan tanpa beban	rpm	13,500	13,500	13,000
Diameter piringan	mm	125	125	125
Kedalaman potongan maks.	mm	41	41	41
Berat	kg	3.1	3.1	3.1
Panjang kabel	m	2.5	2.5	2.5

Aturan Keselamatan Umum



Peringatan! Baca seluruh petunjuk. Kegagalan mengikuti seluruh instruksi yang tercantum di bawah ini dapat mengakibatkan sengatan listrik, kebakaran, dan/atau cedera berat.

Simpan semua keterangan peringatan dan buku petunjuk untuk referensi di masa mendatang.

Istilah "alat listrik" dalam seluruh peringatan yang tercantum di bawah ini merujuk pada alat listrik yang dioperasikan dengan listrik (berkabel) atau alat listrik yang dioperasikan dengan baterai (nirkabel).

a) Keselamatan Tempat kerja

1. **Jaga agar tempat kerja tetap bersih dan terang.** Area yang berantakan dan gelap berpotensi mengakibatkan kecelakaan.
2. **Jangan mengoperasikan alat listrik ini di lingkungan yang mudah menimbulkan bahaya ledakan, seperti di tempat yang terdapat cairan, gas, atau debu yang mudah terbakar.** Alat listrik menimbulkan percikan api yang dapat menyulut debu atau uap.
3. **Jauhkan anak-anak dan orang-orang di sekitar Anda saat mengoperasikan alat listrik.** Gangguan dapat menyebabkan Anda kehilangan kendali.

b) Keselamatan Kelistrikan

1. **Steker alat listrik harus sesuai dengan soketnya. Jangan pernah memodifikasi steker listrik dengan cara apa pun. Jangan**

gunakan steker adaptor apa pun dengan alat listrik yang dibumikan (grounded).

Steker yang tidak dimodifikasi dan stopkontak yang sesuai akan mengurangi risiko sengatan listrik.

2. **Hindari kontak badan dengan permukaan yang dibumikan, seperti pipa, radiator, kompor, dan kulkas.** Risiko sengatan listrik dapat meningkat jika tubuh Anda bersentuhan dengan permukaan yang dibumikan.
3. **Jangan sampai alat listrik ini terkena hujan atau terpapar ke kondisi yang basah.** Air yang masuk ke alat listrik akan meningkatkan risiko sengatan listrik.
4. **Jangan menyalahgunakan kabel listrik. Jangan sekali-kali menggunakan kabel untuk membawa, menarik, atau mencabut alat listrik. Jauhkan kabel dari panas, minyak, tepi tajam, atau komponen yang bergerak.** Kabel yang rusak atau terbelit meningkatkan risiko sengatan listrik.
5. **Bila mengoperasikan alat listrik di luar ruangan, gunakan kabel sambungan yang sesuai untuk penggunaan di luar ruangan.** Menggunakan kabel listrik yang sesuai untuk penggunaan di luar ruangan akan mengurangi risiko sengatan listrik.
6. **Jika Anda harus mengoperasikan alat listrik di lokasi lembap, gunakan catu daya yang dilindungi pemutus sirkuit arus sisa (RCD).** Penggunaan RCD akan mengurangi risiko sengatan listrik.

c) Keselamatan diri

1. **Tetap waspada; perhatikan apa yang Anda kerjakan dan gunakan akal sehat saat mengoperasikan alat listrik. Jangan mengoperasikan alat listrik bila Anda sedang lelah, atau berada di bawah pengaruh obat, alkohol, atau pengobatan.** Kelengahan sesaat saja saat mengoperasikan alat listrik dapat mengakibatkan cedera diri serius.
2. **Gunakan perlengkapan keselamatan. Selalu kenakan alat pelindung mata.** Peralatan pelindung, seperti masker debu, sepatu keselamatan anti-selip, helm keselamatan, atau pelindung telinga yang digunakan untuk kondisi yang sesuai akan menghindarkan cedera diri.
3. **Hindari menyalakan alat secara tak sengaja. Pastikan sakelar dalam posisi mati sebelum mencolokkan, memasukkan baterai, atau saat membawa dan mengangkat alat.** Membawa alat listrik dengan jari Anda masih menempel pada tombol atau mencolok-

kan alat listrik yang tombolnya masih menyala akan berpotensi mengakibatkan kecelakaan.

4. **Lepaskan semua kunci setelah atau kunci pas sebelum menghidupkan alat listrik.** Kunci pas atau kunci yang dibiarkan terpasang pada komponen alat listrik yang berputar dapat mengakibatkan cedera diri.
5. **Jangan menjangkau melampaui batas. Selalu jaga pijakan dan keseimbangan yang baik.** Hal ini memungkinkan Anda untuk mengendalikan alat listrik secara lebih baik dalam situasi yang tidak terduga.
6. **Kenakan pakaian yang sesuai. Jangan mengenakan pakaian longgar atau perhiasan. Jauhkan rambut, pakaian, dan sarung tangan dari komponen yang bergerak.** Pakaian yang longgar, perhiasan, atau rambut panjang dapat tersangkut pada komponen yang bergerak.
7. **Jika disediakan perangkat untuk sambungan conveyor pemotong dan alat pengumpul debu, pastikan alat ini dihubungkan dan digunakan dengan sesuai.** Menggunakan perangkat ini dapat mengurangi bahaya terkait debu.

d) Penggunaan dan Perawatan Alat Listrik

1. **Jangan menggunakan alat listrik dengan paksa. Gunakan alat listrik yang sesuai untuk aplikasi Anda.** Alat listrik yang tepat akan bekerja lebih baik dan aman pada tingkat kelajuan yang telah dirancang untuk alat itu.
2. **Jangan gunakan alat listrik ini jika tombol tidak dapat menghidupkan dan mematikan alat.** Alat listrik apa pun yang tidak dapat dikendalikan dengan tombol adalah berbahaya dan harus diperbaiki.
3. **Lepaskan stopkontak dari sumber listrik dan/atau baterai dari alat listrik sebelum melakukan penyetulan apa pun, mengganti aksesoris, atau menyimpan alat listrik.** Tindakan pencegahan untuk keselamatan seperti itu akan mengurangi risiko menyalakan alat listrik secara tidak disengaja.
4. **Simpan alat listrik yang tidak digunakan jauh dari jangkauan anak-anak. Jangan membolehkan orang yang tidak memahami alat listrik atau petunjuk ini untuk mengoperasikan alat.** Alat listrik dapat berbahaya bila digunakan oleh pengguna yang tidak terlatih.
5. **Rawat alat listrik. Lakukan pemeriksaan untuk mengetahui apakah ada komponen**

bergerak yang tidak sejajar atau bengkok, komponen yang patah, dan kondisi lainnya yang dapat memengaruhi pengoperasian alat listrik. Jika rusak, perbaiki alat listrik sebelum digunakan. Banyak terjadi kecelakaan akibat alat listrik yang tidak dirawat dengan baik.

6. **Jaga ketajaman dan kebersihan pisau pemotong.** Menjaga ketajaman mata pisau pemotong mencegah alat listrik dari macet dan lebih mudah dikendalikan.
 7. **Gunakan alat listrik, aksesoris, dan mata bor, dsb., sesuai petunjuk ini, dengan memperhatikan persyaratan kerja dan jenis pekerjaan yang harus dilakukan.** Penggunaan alat listrik untuk pengoperasian yang tidak sesuai dengan tujuan penggunaan dapat mengakibatkan situasi yang berbahaya.
- e) Servis
1. **Alat listrik sebaiknya diservis oleh teknisi yang berkualifikasi dan hanya menggunakan komponen pengganti yang persis sama.** Cara ini akan membuat keamanan alat listrik setelah perawatan.

Tindakan Pencegahan untuk Keselamatan Tambahan untuk Pemotong Marmer


⚠ Perhatian! Jangan menyentuh bagian logam alat yang terbuka saat memotong melalui dinding dan lantai, atau saat bersentuhan dengan kabel listrik! **Pegang alat pada permukaan pegangan berisolasi saat melakukan operasi di mana alat pemotong dapat mengenai kabel yang tersembunyi atau kabel itu sendiri.** Sentuhan dengan kabel aktif dapat mengalirkan arus listrik pada bagian logam alat yang terbuka dan hal ini akan menyebabkan sengatan listrik pada pengguna.

1. **Selalu pastikan tangan Anda jauh dari area pemotongan dan piringan wajik. Selalu pastikan tangan satunya ada pada pegangan samping.** Jika Anda memegang alat dengan kedua tangan, Anda tidak akan terluka karena piringan.
2. **Jangan menyentuh bagian bawah material kerja karena pelindung tidak dapat melindungi bagian piringan di bawah material kerja.**
3. **Selalu gunakan piringan wajik dengan ukuran dan lubang tengah yang sesuai (bentuk wajik atau bulat).** Piringan dan penahan yang tidak

sesuai akan mengakibatkan operasi yang tidak seimbang dan Anda mungkin kehilangan kendali.

4. **Jangan gunakan mur atau baut yang rusak atau tidak sesuai ukurannya;** karena dapat menyebabkan Anda kehilangan kendali.
5. **Jangan gunakan piringan penggerinda apa pun.**
6. **Jangan gunakan piringan wajik yang tidak sesuai dengan ketentuan pabrik.**
7. **Jangan gunakan piringan pemotong yang telah rusak, miring, atau retak.**
8. **Jangan mengoperasikan alat tanpa pelindung permanen.**
9. **Jangan menyalakan alat dengan piringan pemotong menyentuh material kerja.**
10. **Setelah mematikan alat, letakkan alat hanya setelah piringan pemotong sudah benar-benar berhenti. Jangan menghentikan piringan secara paksa.**
11. **Lepaskan steker dari sumber listrik dan pastikan piringan berhenti sebelum menggantinya, dengan menyesuaikan kedalaman pemotongan atau pipa air, atau memperbaiki alat.**
12. **Pegang alat hanya pada permukaan pegangan berisolasinya saat piringan wajik kemungkinan memotong melalui kabel yang tersembunyi atau kabel itu sendiri.**
Jika piringan wajik menyentuh kabel aktif, bagian logam alat yang terbuka dapat terisi daya, sehingga dapat menyebabkan sengatan listrik pada pengguna.
13. **Harap ekstra hati-hati saat "memotong di area tak terlihat" melalui dinding atau area tak terlihat lainnya** karena piringan wajik dapat memotong pipa gas atau air, kabel, atau benda elastis.

Isolasi Ganda

 Alat ini berisolasi ganda. Isolasi ganda ini berarti semua bagian logam eksternal diisolasi secara elektrik dari catu daya. Hal ini dilakukan dengan menempatkan penghalang berisolasi antara komponen listrik dan mekanis, sehingga alat tidak perlu dibumikan. Catatan: Isolasi ganda tidak menggantikan tindakan pencegahan untuk keamanan biasa bila mengoperasikan alat ini. Sistem isolasi diberikan sebagai perlindungan tambahan dari cedera akibat kemungkinan kegagalan isolasi elektrik dalam alat.



Baca buku petunjuk sebelum penggunaan.



Gunakan pelindung mata.

Keselamatan Kelistrikan

Selalu periksa apakah catu daya sesuai dengan nilai tegangan yang tercantum pada papan nilai.

Menggunakan Kabel Ekstensi

Kabel tambahan tidak boleh digunakan kecuali apabila memang sangat diperlukan. Penggunaan kabel tambahan yang tidak tepat dapat mengakibatkan risiko terjadinya kebakaran dan sengatan listrik. Jika kabel ekstensi harus digunakan, gunakan hanya yang disetujui oleh PLN (Perusahaan Listrik Negara). Pastikan bahwa kabel tambahan berada dalam kondisi yang baik sebelum digunakan. Selalu gunakan kabel yang sesuai dengan input daya pada peralatan Anda (lihat data teknis pada pelat data). Ukuran konduktor minimum adalah 1,5 mm².



Bagian (Gbr. A)

Alat ini dirancang terutama untuk memotong ubin dan batu.

1. Sakelar On/Off
2. Tombol pengunci
3. Sekrup kupu-kupu
4. Alas
5. Tutup sikat
6. Kunci pas soket
7. Perentang

Simbol-simbol

Label pada alat Anda dapat memuat simbol-simbol berikut ini:

VVolt
AAmpere
HzHertz
WWatt
mntmenit
~ Arus balik
== Arus searah
n ₀Kecepatan tanda beban
Isolasi Ganda Kelas II
Simbol waspada keselamatan
.../mntPutaran atau putarbalikan per menit

Prakitan dan Penyesuaian

Sebelum merakit dan menyesuaikan, selalu lepas kabel alat dari catu daya.

Memasang & Melepas Piringan Wajik (Gbr. C) Pemasangan

Masukkan piringan wajik (9) ke kumparan. Pegang pinggiran piringan dengan perentang (7) dan putar sekrup berlawanan arah jarum jam dengan kunci pas soket (6).

Pastikan untuk mengencangkan baut penjepit dengan aman.

Gunakan hanya piringan wajik yang direkomendasikan dengan ukuran lubang yang tepat.

Melepas

kuti prosedur di atas dalam urutan terbalik.

Penyesuaian Kedalaman Pemotongan (Gbr. D)

Untuk menambah atau mengurangi kedalaman potongan, longgarkan sekrup kupu-kupu (3), pindahkan alas (4) untuk menyesuaikan kedalaman, dan mengencangkan sekrup untuk mengamankan kedalaman.

Untuk mencegah kerusakan alat, kenop pengatur kedalaman pemotongan telah diatur ke posisi optimal sesuai standar pabrik.

Pengguna juga dapat mengatur kenop ke posisi yang diinginkan sewaktu-waktu.

Petunjuk Penggunaan

Selalu patuhi petunjuk keselamatan dan peraturan yang berlaku.

Pastikan bahwa sekrup kupu-kupu (3) dikencangkan dengan benar sebelum mengoperasikan alat.

Menyalakan dan Mematikan (Gbr. B)

Untuk menghidupkan alat, tekan sakelar on/off (1). Untuk mematikan alat, lepas sakelar on/off.

Alat ini memiliki fitur pengunci. Untuk mengaktifkan, tekan sakelar on/off, dan lalu tombol pengunci (2). Untuk menonaktifkan, tekan sakelar on/off lagi.

Selalu matikan alat dan lalu catu daya saat pekerjaan selesai.

Pemotongan (Gbr. E)

Sejajarkan ujung alas bagian depan dengan garis pemotongan pada material kerja. Pegang alat dengan kuat. Atur alas pada material kerja untuk dipotong tanpa menyentuh piringan.

Nyalakan alat dan tunggu piringan mencapai kecepatan penuh.

Majukan alat di atas permukaan material kerja,

gerakkan perlahan-lahan sampai pemotongan selesai.

Jaga garis potong tetap lurus.

Alat ini harus hanya digunakan di permukaan horizontal.

Pastikan untuk menggerakkan alat secara perlahan ke depan, pada garis lurus. Memaksakan atau mengerahkan tekanan berlebih atau membiarkan piringan tertekuk, terjepit, atau terpelintir pada potongan dapat menyebabkan motor menjadi lebih panas dan reaksi balik yang berbahaya.

Ketika memotong dengan kedalaman lebih dari 20 mm, buat 2 atau 3 potongan terpisah untuk mencegah kerusakan pada motor.

Pemeliharaan

Alat listrik Stanley dirancang untuk pengoperasian jangka waktu panjang dengan pemeliharaan minimum. Kelanjutan hasil pengoperasian yang memuaskan tergantung pada pemeliharaan alat yang benar serta pembersihan yang teratur.

Jangan memperbaiki alat sendiri. Harap kirim alat Anda ke pusat layanan Stanley resmi untuk pemeliharaan dan layanan secara teratur, atau bila ada perubahan performa yang signifikan.

Kuas Karbon

Kuas Karbon (Gbr. F)

Lepas dan periksa kuas karbon secara teratur.

Ganti bila telah aus menjadi sekitar 6 mm atau kurang.

Jaga kuas karbon tetap bersih untuk gerakan bebas di dudukan. Kedua kuas karbon harus diganti pada waktu yang sama.

Gunakan hanya kuas karbon Stanley.

Gunakan obeng berlubang untuk melepas tutup kuas (5). Lepas kuas yang telah aus, masukkan yang baru, dan kencangkan tutup kuas.

Pembersihan

⚠ Peringatan: Cabut alat sebelum Anda menggunakan kain untuk membersihkan bagian luar. Dengan motor yang menyala, tiup kotoran dan debu keluar dari semua ventilasi udara dengan udara kering setidaknya seminggu sekali. Pakai kacamata pelindung saat melakukannya. Bagian plastik luar dapat dibersihkan dengan kain basah dan deterjen yang ringan. Meskipun bagian ini sangat tahan pelarut, JANGAN PERNAH menggunakan pelarut.

Perawatan Alat

Hindari kelebihan muatan alat listrik. Kelebihan


muatan akan menyebabkan pengurangan kecepatan dan efektivitas yang cukup besar dan unit akan menjadi panas. Dalam hal ini, jalankan alat listrik tanpa beban apa pun selama satu atau dua menit hingga dingin ke suhu kerja normal dengan kipas internal. Menyalakan dan mematikan mesin Anda ketika kurang beban akan cukup mengurangi masa pakai alat.


Penting


Untuk memastikan keselamatan dan keandalan produk, perbaikan, pemeliharaan, serta penyesuaian (selain yang tercantum dalam buku petunjuk ini) harus dilakukan oleh pusat layanan resmi atau perusahaan berpengalaman lainnya, dengan selalu menggunakan suku cadang pengganti yang sama. Bagian dalam alat ini tidak mengandung komponen yang dapat diservis sendiri oleh pengguna.

Aksesori


Kinerja alat listrik apa pun tergantung pada aksesori yang digunakan. Aksesori Stanley dibuat sesuai standar mutu yang tinggi dan dibuat dari material terbaik. Uji yang ketat dilakukan sebelum aksesori diluncurkan di pasaran. Aksesori dirancang untuk meningkatkan performa alat listrik. Belilah aksesori Stanley agar alat listrik Stanley Anda berperforma lebih bagus. Aksesori Stanley yang direkomendasikan tersedia di dealer atau pusat layanan resmi setempat. Stanley menawarkan beragam pilihan aksesori yang tersedia di dealer atau pusat layanan resmi setempat.

 **Catatan:** Gunakan hanya piringan dengan nilai setidaknya setara dengan tanda kecepatan maksimal pada alat.

 **Peringatan:** Penggunaan aksesori lain yang tidak dianjurkan untuk digunakan bersama alat listrik ini dapat membahayakan.

 **Peringatan:** Hanya piringan wajik pemotong batu dapat digunakan. Jangan menggunakan piringan penggerinda atau pisau bergerigi.

Melindungi Lingkungan

 Jika Anda harus mengganti alat Stanley Anda atau alat ini tidak lagi berguna bagi Anda, harap pertimbangkan perlindungan lingkungan. Stanley menyarankan Anda agar menghubungi lembaga berwenang setempat untuk mengetahui informasi tentang pembuangan.

Informasi Servis

Stanley menawarkan jaringan lengkap kantor kami dan lokasi servis resmi di seluruh Asia. Semua Pusat Layanan Stanley memiliki tenaga kerja terlatih untuk memberikan servis alat listrik yang efisien dan tepercaya kepada pelanggan. Anda dapat menghubungi pusat layanan Stanley untuk saran teknis, perbaikan, atau penggantian komponen pabrik asli.

Catatan

- ◆ Kebijakan Stanley adalah salah satu peningkatan yang berkelanjutan pada produk kami, dan karenanya, kami berhak mengubah spesifikasi produk tanpa pemberitahuan sebelumnya.
- ◆ Perlengkapan dan aksesori standar mungkin akan berbeda menurut negara.
- ◆ Spesifikasi produk mungkin akan berbeda menurut negara.
- ◆ Pilihan produk lengkap mungkin tidak tersedia di semua negara. Hubungi dealer Stanley setempat Anda untuk ketersediaan produk.

เครื่องตัดกระเบื้อง STSP125

ข้อมูลด้านเทคนิค

ข้อมูลจำเพาะ	STSP125		
TYPE	B101	XD01	TW01
แรงดันไฟฟ้า	V 220-240	220-240	110
กำลังไฟ	W 1,320	1,320	1,320
ความถี่	Hz 50/60	50/60	60
ความเร็วขณะไม่มีโหลด	rpm 13,500	13,500	13,000
เส้นผ่านศูนย์กลางของแผ่นตัด	mm 125	125	125
ความลึกสูงสุดของการตัด	mm 41	41	41
น้ำหนัก	kg 3.1	3.1	3.1
ความยาวของสายไฟ	m 2.5	2.5	2.5

กฎความปลอดภัยทั่วไป



คำเตือน! อ่านคำแนะนำทั้งหมด การไม่ปฏิบัติตามคำแนะนำที่แสดงด้านล่างนี้อาจทำให้เกิดไฟฟ้าช็อต เกิดอัคคีภัย และ/หรือบาดเจ็บสาหัสได้

เก็บรักษาคำอธิบายคำเตือนและคู่มือคำแนะนำทั้งหมดเพื่อการอ้างอิงในภายหลัง

คำว่า "เครื่องมือไฟฟ้า" ในคำเตือนทั้งหมดที่แสดงไว้ข้างล่าง หมายถึงเครื่องมือไฟฟ้า (แบบมีสาย) ที่ทำงานด้วยแหล่งจ่ายไฟหลัก หรือเครื่องมือไฟฟ้า (แบบไร้สาย) ที่ทำงานด้วยแบตเตอรี่

ก) ความปลอดภัยในบริเวณที่ทำงาน

- พื้นที่ทำงานจะต้องสะอาดและมีแสงสว่างเพียงพอ บริเวณที่มีดินหรือมีของวางระเกะระกะอาจทำให้เกิดอุบัติเหตุได้
- ห้ามใช้เครื่องมือไฟฟ้าในบริเวณที่อาจเกิดการระเบิด เช่น ในสถานที่ที่มีของเหลว แก๊ส หรือฝุ่นละอองที่มีคุณสมบัติไวไฟ เครื่องมือไฟฟ้าจะทำให้เกิดประกายไฟที่อาจทำให้เกิดละอองไฟหรือเปลวไฟขึ้นได้
- ระวังไม่ให้เด็กและคนเดินผ่านไปมาเข้าใกล้ในขณะที่ใช้งานเครื่องมือไฟฟ้า สิ่งรบกวนอาจทำให้คุณเสียสมาธิได้

ข) ความปลอดภัยทางไฟฟ้า

- ปลั๊กไฟของเครื่องต้องเป็นชนิดเดียวกับเต้ารับ ห้ามตัดแปลงปลั๊กเด็ดขาด ห้ามใช้ปลั๊กอะแดปเตอร์ใด ๆ กับเครื่องมือไฟฟ้าที่ต่อสายดิน (ลงกราวด์) ปลั๊กที่ไม่มีการตัดแปลงและเต้ารับชนิดเดียวกันจะชวยลดความเสี่ยงจากการถูกไฟฟ้าช็อต
- หลีกเลี่ยงการสัมผัสพื้นผิวที่ต่อสายดินหรือลงกราวด์ เช่น ท่อ หม้อน้ำ และตู้เย็น ความเสี่ยงที่จะถูกไฟฟ้าช็อตจะเพิ่มขึ้นหากร่างกายของคุณเป็นสื่อเชื่อมต่อกับดิน
- อย่าให้เครื่องมือไฟฟ้าถูกฝนหรือเปียกน้ำ น้ำที่เข้าเครื่องมือไฟฟ้าจะเพิ่มความเสี่ยงในการเกิดไฟฟ้าช็อต
- ห้ามใช้สายไฟผิดวัตถุประสงค์ ห้ามใช้สายไฟเพื่อการหิ้ว ดึง หรือถอดปลั๊กเครื่องมือไฟฟ้า เก็บสายไฟให้พ้นจากความร้อน น้ำมัน ของมีคม หรือ ชิ้นส่วนที่เคลื่อนที่ได้ สายไฟที่ชำรุดหรือพันกันจะเพิ่มความเสี่ยงต่อการเกิดไฟฟ้าช็อต
- เมื่อใช้เครื่องมือไฟฟ้านอกอาคาร ให้ใช้สายต่อพ่วงที่เหมาะสมสำหรับการใช้งานนอกอาคาร การใช้สายไฟที่เหมาะสมสำหรับการใช้งานนอกอาคารจะชวยลดความเสี่ยงต่อการเกิดไฟฟ้าช็อต
- ถ้าคุณต้องใช้เครื่องมือไฟฟ้าในบริเวณที่ชื้นและให้ใช้อุปกรณ์ป้องกันไฟฟ้าสะสม (RCD) การใช้ RCD จะชวยลดความเสี่ยงจากการถูกไฟฟ้าช็อต

ค) ความปลอดภัยส่วนบุคคล

- ตื่นตัวและมีสมาธิกับสิ่งที่คุณกำลังทำ รวมทั้งใช้สามัญสำนึกในขณะที่กำลังใช้งานเครื่องมือไฟฟ้า ห้ามใช้เครื่องมือไฟฟ้าในขณะที่คุณกำลังเหนื่อยหรือได้รับอิทธิพลจากยา แอลกอฮอล์ หรือการรักษาบางอย่าง การขาดความระมัดระวังในการใช้เครื่องมือไฟฟ้าแม้ช่วงขณะหนึ่งอาจทำให้บาดเจ็บสาหัสได้
- ใช้อุปกรณ์คุ้มครองความปลอดภัยส่วนบุคคลสวมอุปกรณ์ป้องกันดวงตาเสมอ อุปกรณ์นิรภัย เช่น หน้ากากกันฝุ่น รองเท้านิรภัยกันสั่น หมวกนิรภัย หรืออุปกรณ์ป้องกันเสียงดังที่ใช้สำหรับสภาพการงานที่เหมาะสมจะชวยลดการบาดเจ็บได้
- หลีกเลี่ยงการเผลอเปิดเครื่องโดยไม่ตั้งใจ ตรวจสอบให้แน่ใจว่า สวิตช์อยู่ในตำแหน่งปิดก่อนใส่แบตเตอรี่ หรือเมื่อต้องหิ้วหรือขนย้ายเครื่องมือ การหิ้วเครื่องมือไฟฟ้าในขณะที่นิ้วอยู่ที่

สวิตช์ หรือเสียบปลั๊กเครื่องมือไฟฟ้าในขณะที่สวิตช์เปิดอยู่ อาจทำให้เกิดอุบัติเหตุได้

4. ถอดกุญแจปรับตั้งหรือประแจออกก่อนเปิดสวิตช์เครื่องมือไฟฟ้า ประแจหรือกุญแจที่เสียบค้างอยู่ในชิ้นส่วนที่หมุนได้ของเครื่องมือไฟฟ้า อาจทำให้เกิดการบาดเจ็บได้
5. ห้ามยื่นแขนเข้าหาขณะใช้เครื่อง ควรยืนในท่าที่เหมาะสม และสมดุลตลอดเวลา เพื่อช่วยในการควบคุมเครื่องมือไฟฟ้าได้ดียิ่งขึ้นในสถานการณ์ที่ไม่คาดคิด
6. แต่งกายให้เหมาะสม ห้ามสวมเสื้อผ้าหลวมหรือใส่เครื่องประดับ รวบผม ชายเสื้อ และถุงมือให้ห่างจากชิ้นส่วนที่กำลังหมุน เสื้อผ้าที่หลวมหรือยาวรุ่มร่าม เครื่องประดับ หรือผมที่ยาวอาจเข้าไปพันกับชิ้นส่วนที่กำลังหมุน
7. ถ้ามีอุปกรณ์สำหรับเชื่อมต่อกับสายพานลำเลียงเศษและอุปกรณ์เก็บฝุ่น ต้องตรวจสอบให้แน่ใจว่าได้เชื่อมต่อและใช้งานอุปกรณ์เหล่านี้อย่างถูกต้อง การใช้อุปกรณ์เหล่านี้จะช่วยลดอันตรายที่เกี่ยวข้องกับฝุ่นได้

จ) การใช้และการดูแลรักษาเครื่องมือไฟฟ้า

1. ห้ามฝืนใช้เครื่องมือไฟฟ้า เลือกใช้เครื่องมือไฟฟ้าที่ถูกต้องตรงกับลักษณะการใช้งานของคุณ เครื่องมือไฟฟ้าที่ถูกต้องย่อมทำงานได้ดีกว่าและปลอดภัยกว่า เมื่อใช้งานตามพิกัดที่เครื่องมือได้รับการออกแบบมา
2. ห้ามใช้เครื่องมือไฟฟ้าถ้าสวิตช์เปิดปิดเครื่องไม่ทำงาน เครื่องมือไฟฟ้าที่ไม่สามารถควบคุมผ่านสวิตช์ได้ ถือว่ามีอันตรายและต้องส่งซ่อม
3. ถอดปลั๊กของเครื่องมือไฟฟ้าออกจากแหล่งจ่ายไฟ และ/หรือ แบตเตอรี่ก่อนทำการปรับแต่ง เปลี่ยนอุปกรณ์เสริม หรือจัดเก็บ มาตรการเพื่อความปลอดภัยเชิงป้องกันนี้จะช่วยลดความเสี่ยงในการไหลเปิดเครื่องให้ทำงานโดยไม่ตั้งใจ
4. เก็บเครื่องมือไฟฟ้าที่พร้อมใช้งานไว้ให้พ้นมือเด็ก และไม่อนุญาตให้บุคคลที่ไม่คุ้นเคยกับเครื่องมือไฟฟ้าหรือคำแนะนำเหล่านี้เป็นผู้ใช้เครื่องมือไฟฟ้าจะเป็นอันตรายหากอยู่ในมือผู้ใช้ที่ไม่ผ่านการฝึกอบรม
5. การบำรุงรักษาเครื่องมือไฟฟ้า ตรวจสอบว่าชิ้นส่วนที่เคลื่อนที่ได้มีการวางไม่ตรงแนวหรือติดขัด

หรือไม่ มีชิ้นส่วนที่แตกหัก และสภาพอื่นใดที่อาจส่งผลกระทบต่อการทำงานของเครื่องมือไฟฟ้าหรือไม่ หากชำรุดเสียหาย ให้นำเครื่องมือไปส่งซ่อมก่อนนำมาใช้ อุบัติเหตุจำนวนมากเกิดจากการดูแลรักษาเครื่องมือไฟฟ้าไม่ดีพอ

6. รักษาใบมีดตัดให้คมและสะอาดเสมอ การรักษาใบมีดตัดให้มีขอบคมจะช่วยป้องกันเครื่องมือไฟฟ้าไม่ให้ติดขัดและจะควบคุมได้ง่ายขึ้น
7. ใช้เครื่องมือไฟฟ้า อุปกรณ์เสริม และชุดอุปกรณ์ต่าง ๆ ตามคำแนะนำเหล่านี้ โดยพิจารณาถึงสภาพการทำงานและงานที่ทำเป็นสำคัญ การใช้เครื่องมือไฟฟ้านอกเหนือจากที่กำหนดไว้อาจทำให้เกิดอันตรายได้

จ) การบริการ

1. ให้ช่างซ่อมที่มีความเชี่ยวชาญเป็นผู้ซ่อมเครื่องมือ และใช้อะไหล่แท้เท่านั้น ซึ่งจะช่วยให้มั่นใจในความปลอดภัยของเครื่องมือหลังจากการบำรุงรักษา

คำเตือนเพื่อความปลอดภัยเพิ่มเติมสำหรับเครื่องตัดกระเบื้อง

- ⚠️ ข้อควรระวัง!** อย่าสัมผัสชิ้นส่วนที่เป็นโลหะที่ไหลออกมาของเครื่องมือเมื่อกำลังตัดผ่านผนังและพื้นหรือเมื่อแตะถูกสายไฟ! จับเครื่องมือที่พื้นผิวส่วนที่ใช้จับซึ่งมีฉนวนป้องกัน ในขณะที่ใช้งานเครื่องซึ่งเครื่องมือตัดอาจสัมผัสกับสายไฟที่ซ่อนอยู่หรือสายไฟของตัวเอง การสัมผัสกับสายไฟ "ที่มีไฟฟ้า" จะทำให้ชิ้นส่วนโลหะของเครื่องมือที่ไหลออกมา "มีไฟฟ้า" และจะทำให้ผู้ใช้ถูกไฟช็อตได้
1. ให้มือของคุณอยู่ห่างจากพื้นที่ตัดและแผ่นตัดเพชรเสมอ ให้มืออีกข้างหนึ่งอยู่บนมือจับด้านข้างตลอดเวลา ถ้าคุณจับเครื่องมือด้วยมือทั้งสองข้าง คุณจะไม่ได้รับบาดเจ็บเพราะแผ่นตัด
 2. อย่าสัมผัสด้านใต้ของชิ้นงาน เพราะตัวครอบป้องกันไม่สามารถป้องกันส่วนของแผ่นตัดที่อยู่ใต้ชิ้นงานได้
 3. ใช้แผ่นตัดเพชรที่มีขนาดและศูนย์กลางตรงกัน (รูปเพชรหรือวงกลม) เสมอ แผ่นตัดและตัวจับที่ขนาดไม่เท่ากัน จะทำให้ศูนย์เสียการควบคุมและเกิดอันตรายขึ้นได้
 4. ไม่ใช้แหวนรองหรือโบลท์ใดๆ ที่ได้รับความเสียหายหรือขนาดไม่ตรง มิฉะนั้นคุณจะถูกควบคุมการ

ทำงานไม่ได้

5. อย่าใช้แผ่นเจียรใด ๆ
6. อย่าใช้แผ่นตัดเพชรใด ๆ ที่ไม่ตรงตามข้อกำหนดของผู้ผลิต
7. อย่าใช้แผ่นตัดใด ๆ ที่ชำรุดเสียหาย ผิดรูปร่างหรือแตกร้าว
8. อย่าใช้งานเครื่องมือโดยไม่มีตัวครอบป้องกันยึดไว้
9. อย่าเปิดเครื่องมือโดยที่แผ่นตัดยังสัมผัสชิ้นงานอยู่
10. หลังจากปิดเครื่องมือ ให้วางเครื่องมือหลังจากที่แผ่นตัดหยุดหมุนสนิทแล้วเท่านั้น อย่าบังคับแผ่นตัดให้หยุด
11. ถอดปลั๊กออกจากแหล่งจ่ายไฟและตรวจสอบให้แน่ใจว่าแผ่นตัดเพชรอยู่กับที่ก่อนที่จะเปลี่ยนแผ่น ปรับความลึกของการตัด หรือท่อน้ำ หรือซ่อมเครื่องมือ
12. จับเครื่องมือที่พื้นผิวส่วนที่ใช้จับซึ่งมีฉนวนหุ้มเมื่อแผ่นตัดเพชรอาจต้องตัดผ่านสายไฟที่ซ่อนอยู่หรือสายไฟของตัวเครื่องเองได้ ถ้าแผ่นตัดเพชรสัมผัสถูกสายไฟ "ที่มีไฟฟ้า" ชิ้นส่วนโลหะของเครื่องมือที่โผล่ออกมาอาจมีไฟฟ้า ดังนั้นอาจทำให้เกิดไฟฟ้าช็อตผู้ทำงานได้
13. ให้ระมัดระวังพิเศษเมื่อ "ตัดผ่าน" ผงหรือบริเวณทึบอื่น ๆ เนื่องจากแผ่นตัดเพชรอาจตัดท่อแก๊ส หรือท่อน้ำ สายไฟ หรือวัตถุรองรับการสันตะเทือนต่าง ๆ

สัญลักษณ์

ป้ายบนเครื่องมือของคุณอาจมีสัญลักษณ์ต่อไปนี้:

- Vโวลต์
 Aแอมแปร์
 Hzเฮิรตซ์
 Wวัตต์
 minนาที
 ~ ไฟกระแสสลับ
 = ไฟกระแสตรง
 n_0 ความเร็วขณะไม่มีภาระไหล
 □ ฉนวนสองชั้นคลาส II
 ⚠ สัญลักษณ์เตือนความปลอดภัย

.../minรอบการหมุน หรือรอบการทำงานต่อนาที

ฉนวนสองชั้น

□ เครื่องมือนี้มีฉนวนสองชั้น ฉนวนสองชั้นหมายถึงชิ้นส่วนภายนอกที่เป็นโลหะได้รับการหุ้มฉนวนไฟฟ้าเพื่อแยกออกจากแหล่งจ่ายไฟหลัก การหุ้มฉนวนนี้ทำได้ด้วยการวางตัวกันที่ได้รับการหุ้มฉนวนไว้ระหว่างส่วนประกอบทางไฟฟ้าและทางกล เพื่อจะได้ไม่จำเป็นต้องต่อกราวด์ให้เครื่องมือ หมายเหตุ: แม้จะมีฉนวนสองชั้น แต่ก็ยังต้องคำนึงถึงข้อควรระวังเพื่อความปลอดภัยตามปกติในขณะใช้งานเครื่องมือนี้ ระบบฉนวนนี้ช่วยเพิ่มการป้องกันไม่ให้เกิดการบาดเจ็บที่เป็นผลจากการที่ฉนวนไฟฟ้าภายในเครื่องมือไม่อาจใช้งานได้



โปรดอ่านคู่มือแนะนำการใช้ก่อนใช้งาน



สวมอุปกรณ์ป้องกัน

ความปลอดภัยทางไฟฟ้า

ต้องตรวจสอบกำลังไฟเพื่อให้ตรงกับแรงดันไฟฟ้าบนแผ่นแสดงพิกัดเสมอ

การใช้สายพ่วง

ไม่ควรใช้สายต่อพ่วงเว้นแต่จำเป็นจริงๆ การใช้สายต่อพ่วงที่ไม่ถูกต้องอาจทำให้เสี่ยงต่อการเกิดไฟไหม้และไฟฟ้าช็อต ถ้าจำเป็นต้องใช้สายต่อพ่วง ให้ใช้เฉพาะผลิตภัณฑ์ที่ได้รับอนุญาตจากองค์การไฟฟ้าของรัฐ ตรวจสอบให้แน่ใจว่าสายต่อพ่วงอยู่ในสภาพดีก่อนใช้งาน ใช้สายต่อพ่วงที่เหมาะสมสำหรับกำลังไฟเข้าของเครื่องมือ (ดูข้อมูลด้านเทคนิคบนป้ายแสดงพิกัดของสายพ่วง) ขนาดของลีสนำไฟฟ้าต่ำสุด คือ 1.5 มม.²

ชิ้นส่วนต่าง ๆ (รูป A)

เครื่องมือนี้ได้รับการออกแบบมาโดยเฉพาะสำหรับตัดกระเบื้องและหิน

1. สวิตช์เปิด/ปิด
2. ปุ่มล็อค
3. สกรูฝึเสื้อ
- 4.ฐาน
5. ฝาครอบแปรงถ่าน
6. ประแจแหวน

7. ประแจ

การประกอบและการปรับตั้ง

ก่อนการประกอบและการปรับตั้ง ให้ถอดปลั๊กเครื่องมือทุกครั้ง

การติดตั้งและการถอดแผ่นตัดเพชร (รูป C)**การติดตั้ง**

ใส่แผ่นตัดเพชร (9) เข้าในแกนหมุน

จับยึดหน้าแปลนเกลียวออกด้วยประแจ (7) และหมุน

ประแจแหวน (6) ทวนเข็มนาฬิกา

ตรวจสอบให้แน่ใจว่าขันโบลท์แคลมป์ยึดแน่นแล้ว

ใช้แผ่นตัดเพชรที่มีขนาดถูกต้องตามที่แนะนำเท่านั้น

การถอด

ทำตามขั้นตอนด้านบนด้วยการย้อนลำดับขั้นตอน

การปรับความลึกของการตัด (รูป D)

ถ้าต้องการเพิ่มหรือลดความลึกของการตัด ให้คลายสกรูผีเสื้อ (3) ถอดฐาน (4) เพื่อปรับความลึก และขันสกรูเพื่อยึดความลึก

เพื่อป้องกันเครื่องมือทำงานผิดพลาด ปุ่มปรับความลึกของการตัดได้รับการตั้งค่าให้อยู่ในตำแหน่งที่เหมาะสมที่สุดมาจากโรงงานแล้ว

ผู้ใช้อาจตั้งปุ่มปรับนี้ให้อยู่ในตำแหน่งที่ต้องการได้ตลอดเวลา

วิธีการใช้เครื่อง

ทำตามคำแนะนำด้านความปลอดภัยและข้อกำหนดที่บังคับใช้เสมอ

ตรวจสอบให้แน่ใจว่าได้ขันสกรูผีเสื้อ (3) ให้แน่นดีแล้วก่อนใช้งานเครื่องมือ

การเปิดปิดเครื่อง (รูป B)

ถ้าต้องการเปิดเครื่อง ให้กดสวิตช์เปิด/ปิด (1)

ถ้าต้องการปิดเครื่อง ให้ปล่อยสวิตช์เปิด/ปิด

เครื่องมือนี้มีคุณสมบัติการล๊อค ถ้าต้องการล๊อค ให้กดสวิตช์เปิด/ปิด แล้วกดปุ่มล๊อค (2) ถ้าต้องการปลดล๊อค ให้กดสวิตช์เปิด/ปิดอีกครั้ง

ปิดสวิตช์เครื่องมือแล้วปิดแหล่งจ่ายไฟทุกครั้งที่จะใช้งาน

การตัด (รูป E)

จัดขอบด้านหน้าของฐานให้ตรงกับแนวตัดบนชิ้นงาน

จับเครื่องมือให้แน่น ตั้งฐานให้อยู่บนชิ้นงานที่จะตัด โดยที่แผ่นตัดไม้สัมผัสกับชิ้นงาน

เปิดเครื่องมือ และรอจนกว่าแผ่นตัดได้ความเร็วเต็มที่ เลื่อนเครื่องมือไปบนพื้นผิวของชิ้นงาน เลื่อนอย่างนุ่มนวลจนกระทั่งตัดเสร็จเรียบร้อย

รักษาแนวตัดให้ตรงอยู่เสมอ

เครื่องมือนี้ใช้ได้กับพื้นผิวตามแนวนอนเท่านั้น

ตรวจสอบให้แน่ใจว่าค้อย ๆ เลื่อนเครื่องมือไปข้างหน้าในแนวเดียวกัน การออกแรงดันหรือแรงกดมากเกินไป

หรือปล่อยให้แผ่นตัดโค้งงอ ถูกหนีบหรือบิดตัวในการตัด อาจเป็นสาเหตุทำให้มอเตอร์มีความร้อนสูงเกิน

และเครื่องมือมีการติดกลับอย่างเป็นอันตรายได้

เมื่อต้องตัดชิ้นงานที่มีความลึกมากกว่า 20 มม. ให้แบ่งการตัดออกเป็น 2 หรือ 3 ครั้ง เพื่อป้องกันมอเตอร์ขัดข้อง

การบำรุงรักษา

เครื่องมือไฟฟ้า Stanley ออกแบบมาเพื่อให้สามารถใช้งานได้ยาวนานต่อเนื่องโดยมีการบำรุงรักษาน้อยที่สุด การทำงานที่สร้างความพึงพอใจอย่างต่อเนื่องจะขึ้นอยู่กับ การดูแลรักษาที่เหมาะสมและการทำความสะอาดอย่างสม่ำเสมอ ไม่ซ่อมแซมเครื่องมือเอง โปรดส่งเครื่องไปยังศูนย์บริการ Stanley ที่ได้รับการรับรองเพื่อรับการบำรุงรักษาและการบริการตามปกติ หรือพบว่าประสิทธิภาพในการทำงานของเครื่องต่ำลง

แปรงถ่าน**แปรงถ่าน (รูป F)**

ถอดและตรวจสอบแปรงถ่านเป็นประจำ ให้ทำการเปลี่ยนแปรงถ่านถ้าความยาวแปรงถ่านเหลือน้อยกว่า 6 มม.

ดูแลให้แปรงถ่านสะอาดอยู่เสมอเพื่อให้เคลื่อนที่ในตัวจับได้อย่างอิสระ ควรเปลี่ยนแปรงถ่านทั้งสองอันพร้อมกัน

ให้ใช้แปรงถ่านของ Stanley เท่านั้น

ให้ใช้ไขควงเพื่อถอดฝาครอบแปรงถ่าน (5) ออก

นำแปรงถ่านที่สึกหรอออกมา แล้วใส่อันใหม่เข้าไป

จากนั้นขันฝาครอบแปรงถ่านให้แน่น

การทำความสะอาด

⚠ คำเตือน: ถอดปลั๊กเครื่องมือก่อนที่จะใช้ผ้าทำความสะอาดตัวเครื่อง เปิดเครื่องให้มอเตอร์ทำงาน แล้วเป่า

สิ่งสกปรกและฝุ่นออกจากช่องระบายอากาศทั้งหมด ด้วยลมแรงอย่างน้อยสัปดาห์ละครั้ง สวมแว่นป้องกันในขณะที่ยังดำเนินการนี้ คุณสามารถทำความสะอาดชิ้นส่วนพลาสติกภายนอกด้วยผ้าเปียกหมาด ๆ ชุบผงซักฟอกอย่างอ่อน แม้ว่าชิ้นส่วนเหล่านี้จะทนต่อตัวทำลายได้สูง แต่ก็ห้ามใช้ตัวทำลายเด็ดขาด

การดูแลรักษาเครื่องมือ

หลีกเลี่ยงการใช้งานเครื่องมือหนักเกินไป การใช้งานหนักเกินไป จะทำให้ความเร็วและประสิทธิภาพลดลงอย่างมาก และเครื่องจะร้อนเกินไป ในกรณีนี้ ให้เปิดเครื่องมือโดยไม่มีโหลดเป็นเวลาหนึ่งหรือสองนาที จนกระทั่งเครื่องเย็นลงถึงอุณหภูมิการทำงานปกติด้วยพัดลมในตัวเครื่อง การเปิดและปิดเครื่องมือในขณะที่มีโหลด จะทำให้อายุการใช้งานของเครื่องมือลดลงอย่างมาก

ข้อสำคัญ

เพื่อให้มั่นใจว่าผลิตภัณฑ์มีความปลอดภัยและเชื่อถือได้ ควรให้ศูนย์บริการที่ได้รับการรับรองหรือองค์กรที่มีความชำนาญทำการซ่อม บำรุงรักษา และปรับแต่ง (นอกเหนือจากที่ระบุในคู่มือนี้) และใช้อะไหล่แท้เท่านั้น ชุดอุปกรณ์ไม่มีชิ้นส่วนที่ผู้ใช้สามารถซ่อมเองได้อยู่ภายใน

อุปกรณ์เสริม

ประสิทธิภาพของเครื่องมือไฟฟ้าจะขึ้นอยู่กับอุปกรณ์เสริมที่ใช้ อุปกรณ์เสริมของ Stanley ได้รับการออกแบบทางวิศวกรรมให้มีมาตรฐานคุณภาพสูง และผลิตจากวัสดุที่ดีที่สุด ก่อนที่จะปล่อยอุปกรณ์เสริมออกสู่ตลาด จะต้องทำการทดสอบที่เข้มงวด อุปกรณ์เสริมเหล่านี้ได้รับการออกแบบที่ช่วยเพิ่มประสิทธิภาพของเครื่องมือไฟฟ้า

ซื้ออุปกรณ์เสริม Stanley เพื่อให้เครื่องมือ Stanley ของคุณมีประสิทธิภาพยอดเยี่ยมขึ้น อุปกรณ์เสริม Stanley ที่แนะนำให้ใช้มีจำหน่ายที่ตัวแทนจำหน่ายภายในท้องถิ่นหรือศูนย์บริการที่ได้รับการรับรอง Stanley มีอุปกรณ์เสริมให้เลือกมากมายที่ตัวแทนจำหน่ายภายในท้องถิ่นหรือศูนย์บริการที่ได้รับการรับรอง

⚠ หมายเหตุ: ใช้แผ่นตัดที่มีพิทักอย่างน้อยเท่ากับ

ความเร็วสูงสุดที่ระบุไว้บนเครื่องมือเท่านั้น

⚠ คำเตือน: การใช้อุปกรณ์เสริมอื่นใดที่ไม่ได้แนะนำไว้ให้กับเครื่องมือนี้อาจทำให้เกิดอันตรายได้

⚠ คำเตือน: สามารถใช้ได้เฉพาะแผ่นตัดเพชรที่ใช้ตัดหินเท่านั้น อย่าใช้กับแผ่นเจียรหรือโบริมดที่มีพีท

การปกป้องสิ่งแวดล้อม

♻ ในกรณีที่您需要เปลี่ยนเครื่องมือหรือถ้าไม่ต้องการใช้เครื่องมืออีกต่อไป โปรดคำนึงถึงการปกป้องสิ่งแวดล้อม Stanley แนะนำให้คุณติดต่อคณะกรรมการในท้องถิ่นของคุณ สำหรับข้อมูลเกี่ยวกับการทิ้งผลิตภัณฑ์

ข้อมูลการบริการ

Stanley ให้บริการเครือข่ายศูนย์บริการของบริษัทเอง และศูนย์ฯ ที่ได้รับการรับรองเต็มรูปแบบทั่วทั้งทวีปเอเชีย ศูนย์บริการ Stanley ทุกแห่งมีพนักงานที่ผ่านการฝึกอบรมเพื่อให้บริการเกี่ยวกับเครื่องมือไฟฟ้าได้อย่างมีประสิทธิภาพและเชื่อถือได้ คุณสามารถติดต่อศูนย์บริการ Stanley ที่ใกล้ที่สุดเพื่อขอคำแนะนำด้านเทคนิค ซ่อมแซม หรือเปลี่ยนชิ้นส่วนที่เป็นของแท้จากโรงงาน

หมายเหตุ

- เนื่องจาก Stanley มินโยบายพัฒนาปรับปรุงผลิตภัณฑ์อย่างต่อเนื่อง ดังนั้น เราจึงขอสงวนสิทธิ์ในการเปลี่ยนแปลงข้อมูลจำเพาะของผลิตภัณฑ์โดยไม่แจ้งให้ทราบล่วงหน้า
- อุปกรณ์มาตรฐานและอุปกรณ์เสริมอาจแตกต่างกันในแต่ละประเทศ
- ข้อมูลจำเพาะของผลิตภัณฑ์อาจแตกต่างกันในแต่ละประเทศ
- ตัวเลือกผลิตภัณฑ์อาจมีจำหน่ายไม่ครบทุกรายการ ในบางประเทศ โปรดสอบถามตัวเลือกผลิตภัณฑ์จากตัวแทนจำหน่ายของ Stanley ในประเทศของคุณ

Máy cắt gạch STSP125

Thông số kỹ thuật

Thông số kỹ thuật	STSP125		
TYPE	B101	XD01	TW01
Điện áp	V	220-240	220-240 110
Công suất	W	1,320	1,320 1,320
Tần số	Hz	50/60	50/60 60
Tốc độ không tải	rpm	13,500	13,500 13,000
Đường kính đĩa cắt	mm	125	125 125
Độ sâu cắt tối đa	mm	41	41 41
Trọng lượng	kg	3.1	3.1 3.1
Chiều dài dây điện	m	2.5	2.5 2.5

Các quy tắc an toàn chung



Cảnh báo! Đọc mọi hướng dẫn. Việc không tuân theo tất cả các hướng dẫn được liệt kê bên dưới có thể dẫn đến điện giật, cháy và/hoặc chấn thương nghiêm trọng.

Giữ lại tất cả các mô tả cảnh báo và hướng dẫn sử dụng để tham khảo về sau.

Thuật ngữ “dụng cụ điện cầm tay” trong phần cảnh báo chỉ thiết bị chạy bằng điện nguồn (có dây điện) hoặc thiết bị chạy bằng pin (không có dây điện).

a) An toàn nơi làm việc

1. **Giữ nơi làm việc luôn sạch sẽ và đủ ánh sáng.** Những khu vực bừa bộn và thiếu ánh sáng dễ gây tai nạn.
2. **Không vận hành dụng cụ điện cầm tay trong các môi trường dễ cháy nổ, như các môi trường có chất lỏng, khí hoặc bụi dễ cháy.** Dụng cụ điện cầm tay tạo ra các tia lửa điện có thể gây cháy bụi hoặc bốc khói.
3. **Không cho trẻ em và những người không liên quan lại gần khi đang vận hành dụng cụ điện cầm tay.** Những lúc xao lãng có thể khiến bạn mất kiểm soát.

b) An toàn điện

1. **Phích cắm của dụng cụ điện cầm tay phải vừa với ổ cắm.** Không sửa đổi phích cắm điện bằng bất kỳ cách nào. Không sử dụng các phích cắm tiếp hợp với những

dụng cụ điện cầm tay có nối đất. Phích cắm nguyên trạng và ổ cắm phù hợp sẽ giúp giảm nguy cơ bị điện giật.

2. **Tránh tiếp xúc với các bề mặt được nối đất như đường ống, lò sưởi và tủ lạnh.** Nguy cơ bị điện giật sẽ cao hơn nếu cơ thể bạn tiếp xúc trực tiếp với đất.
3. **Không để các dụng cụ điện cầm tay ngoài trời mưa hoặc ở nơi ẩm ướt.** Nước vào trong dụng cụ điện cầm tay sẽ làm tăng nguy cơ bị điện giật.
4. **Không dùng dây điện cho các mục đích khác. Tuyệt đối không sử dụng dây điện để mang, kéo hoặc rút phích cắm dụng cụ điện cầm tay.** Để dây điện cách xa nguồn nhiệt, dầu mỡ, các cạnh sắc hoặc các bộ phận chuyển động. Dây điện bị hỏng hoặc bị vướng sẽ làm tăng nguy cơ bị điện giật.
5. **Khi vận hành dụng cụ điện cầm tay ngoài trời, hãy sử dụng dây nối dài phù hợp để sử dụng ngoài trời.** Sử dụng dây điện phù hợp để sử dụng ngoài trời sẽ giúp giảm nguy cơ bị điện giật.
6. **Nếu bạn phải vận hành dụng cụ điện cầm tay ở nơi ẩm ướt, hãy sử dụng nguồn được bảo vệ bởi thiết bị ngắt mạch tự động (RCD).** Sử dụng RCD giúp giảm nguy cơ bị điện giật.

c) An toàn cá nhân

1. **Hãy tập trung; chú ý vào những gì bạn đang làm và tỉnh táo khi vận hành dụng cụ điện cầm tay.** Không vận hành dụng cụ điện cầm tay khi bạn đang mệt hoặc chịu ảnh hưởng của ma túy, rượu bia hoặc chất kích thích. Chỉ một khoảnh khắc mất tập trung trong khi vận hành dụng cụ điện cầm tay cũng có thể dẫn đến chấn thương cá nhân nghiêm trọng.
2. **Sử dụng thiết bị bảo hộ.** Luôn đeo kính bảo hộ. Thiết bị bảo hộ an toàn như mặt nạ chống bụi, giày chống trượt, mũ bảo hộ hoặc thiết bị bảo vệ tai nếu được sử dụng ở những điều kiện phù hợp sẽ giúp giảm các chấn thương cá nhân.
3. **Tránh vô tình khởi động máy.** Đảm bảo công tắc ở vị trí tắt trước khi nối với nguồn điện, lắp pin hoặc cầm và vận chuyển dụng cụ. Việc cầm dụng cụ điện cầm tay khi đang đặt ngón tay lên công tắc hoặc cắm điện vào dụng cụ khi công tắc

đang ở vị trí bật có thể gây tai nạn.

4. **Hãy tháo hết các khóa điều chỉnh hoặc cờ lê trước khi bật dụng cụ điện cầm tay.** Không tháo hết cờ lê hoặc khóa ra khỏi bộ phận quay của dụng cụ điện cầm tay có thể dẫn đến chấn thương cá nhân.
5. **Không được với tay. Hãy đứng ở tư thế thích hợp và luôn giữ thăng bằng.** Điều đó giúp kiểm soát dụng cụ điện cầm tay tốt hơn trong các tình huống bất ngờ.
6. **Mặc quần áo phù hợp. Không mặc quần áo rộng hoặc đeo đồ trang sức. Giữ cho tóc, quần áo và găng tay tránh xa khỏi các bộ phận chuyển động.** Quần áo rộng, đồ trang sức hoặc tóc dài có thể bị mắc vào các bộ phận chuyển động.
7. **Nếu các thiết bị được cung cấp để nối bằng tải phoi và thiết bị gom bụi, hãy đảm bảo những thiết bị này được nối và sử dụng đúng cách.** Sử dụng các thiết bị này có thể giảm các nguy cơ liên quan đến bụi.

d) Sử dụng và bảo quản dụng cụ điện cầm tay

1. **Sử dụng dụng cụ điện cầm tay phù hợp. Sử dụng dụng cụ điện cầm tay phù hợp với mục đích của bạn.** Dụng cụ điện cầm tay phù hợp sẽ giúp cho công việc tốt hơn và an toàn hơn theo đúng tốc độ được thiết kế.
2. **Không sử dụng dụng cụ điện cầm tay nếu công tắc không bật và tắt được.** Mọi dụng cụ điện cầm tay không điều khiển được bằng công tắc đều rất nguy hiểm và cần phải được sửa chữa.
3. **Rút phích cắm dụng cụ điện cầm tay ra khỏi nguồn điện và/hoặc pin ra khỏi dụng cụ điện cầm tay trước khi thực hiện các điều chỉnh, thay phụ kiện hoặc bảo quản dụng cụ điện cầm tay.** Các biện pháp an toàn phòng ngừa đó giúp giảm nguy cơ khởi động dụng cụ điện cầm tay một cách tình cờ.
4. **Bảo quản các dụng cụ điện cầm tay không sử dụng tránh xa tầm tay trẻ em. Không để những người không quen với dụng cụ điện cầm tay hoặc các hướng dẫn này vận hành dụng cụ điện cầm tay.** Dụng cụ điện cầm tay sẽ rất nguy hiểm khi được sử dụng bởi những người chưa được huấn luyện.
5. **Bảo trì dụng cụ điện cầm tay. Kiểm tra**

các bộ phận chuyển động xem có bị lệch hoặc bị kẹt không, các bộ phận có bị vỡ không và bất kỳ tình trạng nào khác có thể ảnh hưởng đến việc vận hành dụng cụ điện cầm tay. Nếu dụng cụ điện cầm tay bị hỏng, hãy sửa chữa trước khi sử dụng. Rất nhiều tai nạn xảy ra do công tác bảo trì các dụng cụ điện cầm tay kém.

6. **Giữ lưỡi cắt luôn sắc và sạch.** Việc duy trì các cạnh của lưỡi cắt luôn sắc giúp dụng cụ điện cầm tay không bị kẹt và dễ kiểm soát hơn.
7. **Sử dụng dụng cụ điện cầm tay, các phụ kiện và mũi khoan, v.v. theo các hướng dẫn này, chú ý đến các điều kiện làm việc và công việc cần thực hiện.** Sử dụng dụng cụ điện cầm tay sai mục đích có thể gây nguy hiểm.

e) Bảo dưỡng

1. **Hãy để nhân viên bảo dưỡng có chuyên môn tiến hành bảo dưỡng dụng cụ điện cầm tay cho bạn và chỉ sử dụng các bộ phận thay thế chính hãng.** Điều này sẽ giúp đảm bảo độ an toàn của dụng cụ điện cầm tay đó.

Biện pháp phòng ngừa an toàn bổ sung dành cho Máy cắt đá hoa cương

⚠️ Thận trọng! Không chạm vào các bộ phận kim loại hở của dụng cụ khi cắt tường và sàn nhà, hoặc khi tiếp xúc với dây điện! **Chỉ cầm dụng cụ ở phần bề mặt tay cầm cách điện** khi thực hiện thao tác ở nơi mà dụng cụ cắt có thể tiếp xúc với hệ thống dây điện chìm hoặc dây điện của chính dụng cụ. Việc tiếp xúc với dây "có điện" sẽ khiến các bộ phận kim loại hở của dụng cụ "có điện" và khiến người vận hành bị giật điện.



1. **Luôn để tay xa vùng cắt và đĩa cắt kim cương. Luôn để tay còn lại trên tay cầm.** Nếu giữ dụng cụ bằng hai tay, bạn sẽ tránh được các chấn thương do đĩa cắt gây ra.
2. **Không chạm vào phía dưới phôi gia công** vì vành chắn không thể bảo vệ bạn khỏi phần đĩa cắt dưới phôi gia công.
3. **Luôn sử dụng đĩa cắt kim cương có kích cỡ và tâm phù hợp (hình kim cương hoặc**

hình tròn). Đĩa cắt và đầu giữ không khớp sẽ dẫn đến lệch tâm và có thể khiến bạn mất kiểm soát.


4. Không dùng vòng đệm hoặc bu lông bị hư hỏng hoặc không vừa cỡ nếu không bạn sẽ bị mất kiểm soát.
5. Không sử dụng đĩa mài.
6. Không sử dụng đĩa cắt kim cương không phù hợp với quy định của nhà sản xuất.
7. Không sử dụng đĩa cắt bị hỏng, bị mòn hoặc bị nứt.
8. Không vận hành dụng cụ khi chưa lắp vành chắn.
9. Không khởi động dụng cụ khi đĩa cắt chạm vào phôi gia công.
10. Sau khi tắt dụng cụ, chỉ đặt dụng cụ xuống khi đĩa cắt đã dừng hẳn. Phải để đĩa cắt tự dừng lại.
11. Rút phích cắm ra khỏi ổ cắm và đảm bảo đĩa cắt kim cương dừng hẳn trước khi thay đĩa cắt, điều chỉnh độ sâu cắt hoặc ống nước, hay sửa chữa dụng cụ.
12. Chỉ cầm vào bề mặt cách điện của dụng cụ khi đĩa cắt kim cương có thể cắt vào dây điện ngầm hoặc dây điện của chính dụng cụ. Nếu đĩa cắt kim cương cắt vào dây "có điện, các bộ phận kim loại hở của dụng cụ điện cầm tay có thể có điện do đó khiến người vận hành bị giật điện.
13. Đặc biệt chú ý khi "cắt khuất" qua tường hoặc những vùng khuất khác do đĩa cắt kim cương có thể cắt qua ống dẫn ga hoặc nước, dây điện hoặc các vật đàn hồi khác.

Kí hiệu

Trên dụng cụ của bạn có thể có những ký hiệu sau:

VVôn
AAmpe
HzHertz
WWatt
minphút
~ Dòng xoay chiều
== Dòng một chiều
n_0Tốc độ không tải
Cấu tạo cách điện kép
Biểu tượng cảnh báo an toàn
.../phútsố vòng quay hoặc số lần qua lại trong một phút

Cách điện kép

 Dụng cụ được cách điện kép. Điều này có nghĩa là tất cả những phần kim loại hở được cách điện khỏi nguồn cấp điện chính. Việc này được thực hiện bằng cách đặt các tấm cách điện giữa các thành phần điện và cơ để không cần phải nối đất dụng cụ. Lưu ý: Cách điện kép không thay thế các biện pháp phòng ngừa an toàn thông thường khi vận hành dụng cụ này. Hệ thống cách điện này dùng để tăng cường bảo vệ tránh gây chấn thương do không cách điện dụng cụ.



Đọc kỹ hướng dẫn sử dụng trước khi dùng.



Đeo kính bảo hộ.

An toàn điện

Luôn kiểm tra nguồn điện có tương ứng với điện áp trên biển thông số định mức hay không.

Sử dụng dây nối dài

Không nên sử dụng dây nối dài trừ trường hợp thực sự cần thiết. Sử dụng dây nối dài không thích hợp có thể dẫn đến nguy cơ hỏa hoạn và giật điện. Nếu phải sử dụng dây điện nối dài, chỉ sử dụng dây điện được cơ quan có thẩm quyền về điện của quốc gia phê duyệt. Đảm bảo dây nối dài ở tình trạng còn tốt trước khi sử dụng. Luôn sử dụng dây điện phù hợp với công suất đầu vào của dụng cụ (xem phần thông số kỹ thuật trên biển thông số). Kích thước dây dẫn tối thiểu phải là 1,5mm².

Các bộ phận (Hình A)

Dụng cụ này được thiết kế dành riêng để cắt gạch và đá.

1. Công tắc bật/tắt
2. Nút khóa công tắc
3. Vít tai hồng
4. Chân đế
5. Nắp chổi than
6. Chia khóa đầu ống

7. Cờ lê

Lắp ráp và điều chỉnh

Luôn rút phích cắm ra khỏi ổ cắm trước khi lắp ráp và điều chỉnh.

Lắp và tháo đĩa cắt kim cương (Hình C)

Lắp

Lắp đĩa cắt kim cương (9) vào trục.

Vặn bên ngoài mặt bích bằng cờ lê (7) rồi dùng chìa khóa đầu ống (6) để vặn vít ngược chiều kim đồng hồ.

Đảm bảo vặn chặt bu lông kẹp.

Chỉ sử dụng đĩa cắt kim cương được khuyến nghị có kích cỡ lỗ chuẩn.

Tháo

Thực hiện các bước trên theo thứ tự ngược lại.

Điều chỉnh độ sâu cắt (Hình D)

Đề tăng hoặc giảm độ sâu cắt, vặn lỏng vít tai hồng (3), di chuyển chân đế (4) để điều chỉnh độ sâu rồi vặn chặt vít để cố định độ sâu.

Để tránh lỗi dụng cụ, núm điều chỉnh độ sâu cắt đã được đặt ở vị trí tối ưu tại nhà máy.

Người dùng cũng có thể đặt núm điều chỉnh độ sâu cắt ở vị trí mong muốn bất kỳ lúc nào.

Hướng dẫn sử dụng

Luôn tuân theo các hướng dẫn và quy tắc hiện hành về an toàn.

Đảm bảo vặn chặt vít tai hồng (3) trước khi vận hành dụng cụ.

Bật và tắt (Hình B)

Để bật dụng cụ, ấn công tắc bật/tắt (1).

Để tắt dụng cụ, nhả công tắc bật/tắt.

Dụng cụ này được trang bị tính năng khóa công tắc. Để bật tính năng này, ấn công tắc bật/tắt, sau đó ấn nút khóa công tắc (2). Để tắt tính năng này, ấn công tắc bật/tắt một lần nữa.

Luôn tắt dụng cụ rồi rút phích cắm ra khỏi ổ cắm khi kết thúc công việc.

Cắt (Hình E)

Chỉnh cạnh trước của chân đế thẳng với đường cắt trên phi gia công. Cầm chắc dụng cụ. Đặt chân đế lên phi gia công cần cắt mà không làm đĩa cắt chạm vào phi.

Bật dụng cụ lên rồi đợi đến khi đĩa cắt đạt tốc độ tối đa.

Di chuyển dụng cụ về phía trước qua bề mặt phi gia công, từ từ đẩy dụng cụ cho đến khi cắt xong.

Giữ đường cắt thật thẳng.

Dụng cụ này chỉ dùng trên bề mặt ngang.

Đảm bảo di chuyển dụng cụ nhẹ nhàng về phía trước, theo đường thẳng. Ép mạnh hoặc tác dụng lực quá lớn, hay bẻ cong đĩa cắt, làm kẹt hoặc xoắn đĩa cắt trong đường cắt có thể khiến động cơ bị quá nhiệt và dụng cụ có thể bị bật ngược gây nguy hiểm.

Khi cắt phi gia công dày hơn 20 mm, hãy thực hiện 2 hoặc 3 đường cắt để tránh hư hỏng động cơ.

Bảo trì

Dụng cụ điện cầm tay Stanley được thiết kế để vận hành trong thời gian dài và ít phải bảo trì nhất. Dụng cụ vận hành liên tục theo ý muốn tùy thuộc vào việc bảo quản dụng cụ đúng cách và vệ sinh thường xuyên. Không tự sửa chữa dụng cụ. Hãy gửi dụng cụ của bạn tới trung tâm dịch vụ được ủy quyền của Stanley để được bảo trì và bảo dưỡng định kỳ, hoặc khi cần thay đổi hiệu suất đáng kể.

Chổi than

Chổi than (Hình F)

Tháo và kiểm tra chổi than thường xuyên. Thay thế khi chổi than mòn xuống dưới 6 mm.

Giữ chổi than sạch và di chuyển tự do trong đầu giữ. Phải thay thế cả hai chổi than cùng lúc.

Chỉ sử dụng chổi than của Stanley.

Dùng tước nơ vít hai cạnh để tháo nắp chổi than (5). Tháo chổi bị mòn ra, lắp chổi mới rồi vặn chặt nắp chổi than.

Vệ sinh

⚠ Cảnh báo: Rút phích cắm dụng cụ ra khỏi ổ cắm trước khi dùng khăn để vệ sinh vỏ dụng cụ. Chạy động cơ để thổi bụi bẩn ra khỏi các ống thông khí bằng không khí khô ít nhất một lần mỗi tuần. Đeo kính bảo hộ khi làm việc này. Có thể vệ sinh các bộ phận bằng nhựa bên ngoài bằng khăn ẩm và thuốc tẩy rửa nhẹ. Mặc dù các bộ phận này có khả năng kháng dung môi cao, nhưng TUYỆT ĐỐI KHÔNG sử dụng các chất dung môi.

Bảo quản dụng cụ

Tránh vận hành quá tải dụng cụ điện cầm tay. Vận hành quá tải sẽ làm giảm đáng kể tốc độ và hiệu quả dụng cụ, đồng thời sẽ khiến dụng cụ bị quá nhiệt. Trong trường hợp này, hãy chạy dụng cụ điện cầm tay ở chế độ không tải trong một đến hai phút cho tới khi được làm mát đến nhiệt độ làm việc thông thường bằng quạt tích hợp. Bật và tắt khi đang chạy tải sẽ làm giảm đáng kể tuổi thọ của dụng cụ.

Quan trọng


Để đảm bảo sản phẩm an toàn và tin cậy, công tác sửa chữa, bảo trì và hiệu chỉnh (ngoài các công tác được liệt kê trong hướng dẫn sử dụng này) cần được thực hiện bởi các trung tâm dịch vụ được ủy quyền hoặc các cơ sở được chứng nhận khác, luôn sử dụng các bộ phận thay thế chính hãng. Người dùng không được tự ý bảo dưỡng các bộ phận bên trong dụng cụ.


Các phụ kiện


Hiệu suất của dụng cụ điện cầm tay phụ thuộc vào phụ kiện được sử dụng. Phụ kiện Stanley được chế tạo theo tiêu chuẩn chất lượng cao và được sản xuất bằng các vật liệu tốt nhất. Những phụ kiện này đều trải qua các cuộc kiểm tra nghiêm ngặt trước khi được bán ra thị trường. Chúng được thiết kế nhằm tăng cường hiệu suất của dụng cụ điện cầm tay.

Hãy mua phụ kiện của Stanley để giúp dụng cụ điện cầm tay Stanley đạt được hiệu suất cao hơn. Bạn có thể mua các phụ kiện được khuyến nghị của Stanley từ các nhà bán lẻ sở tại hoặc trung tâm dịch vụ được ủy quyền.


Stanley cung cấp các lựa chọn phụ kiện đa dạng tại những nhà bán lẻ sở tại hoặc trung tâm dịch vụ được ủy quyền.

 Lưu ý: Chỉ sử dụng đĩa cắt có định mức ít nhất bằng với tốc độ lớn nhất ghi trên dụng cụ.

 Cảnh báo: Sử dụng bất kỳ phụ kiện nào không được khuyến nghị với dụng cụ này có thể dẫn đến nguy hiểm.

 Cảnh báo: Chỉ có thể sử dụng đĩa kim cương cắt đá. Không sử dụng đĩa mài hoặc lưỡi cắt có răng.

Bảo vệ môi trường

 Trong trường hợp bạn cần thay thế dụng cụ của mình hoặc nếu bạn không sử dụng nó trong tương lai nữa, hãy nghĩ đến việc bảo vệ môi trường. Stanley khuyến cáo bạn nên liên lạc với

hội đồng địa phương để lấy thông tin về xử lý rác thải.

Thông tin dịch vụ

Stanley có sẵn một mạng lưới các văn phòng và cơ sở dịch vụ được ủy quyền trên khắp Châu Á. Tất cả các trung tâm dịch vụ đều có đội ngũ nhân viên lành nghề để cung cấp tới khách hàng dịch vụ hiệu quả và đáng tin cậy. Bạn có thể liên hệ với trung tâm dịch vụ gần nhất của Stanley để được tư vấn kỹ thuật, sửa chữa dụng cụ hoặc mua phụ tùng thay thế chính hãng.

Lưu ý

◆ Chính sách của Stanley không ngừng cải thiện với các sản phẩm và do đó, chúng tôi có quyền thay đổi thông số kỹ thuật sản phẩm mà không cần báo trước.

◆ Các thiết bị và phụ kiện chuẩn có thể khác nhau tùy theo từng quốc gia.

◆ Thông số kỹ thuật của sản phẩm có thể khác nhau tùy theo từng quốc gia.

◆ Danh mục sản phẩm hoàn chỉnh có thể không có tại tất cả các quốc gia. Liên hệ với các đại lý của Stanley tại quốc gia bạn để được cung cấp danh mục sản phẩm.

마블커터 STSP125

기술 데이터

사양	STSP125	
유형		KR01
전압	V	220
전력	W	1,320
주파수	Hz	60
무부하 속도	rpm	13,500
휠 직경	mm	125
최대 절단 깊이	mm	41
무게	kg	3.1
케이블 길이	m	2.5

일반 안전 규칙



경고! 모든 지시 사항을 읽으십시오. 아래 설명한 모든 지시 사항을 따르지 않으면 감전, 화재 및/또는 심각한 부상을 초래할 수 있습니다.

항후 참고할 수 있도록 모든 경고 및 사용 설명서를 보관해두십시오.

아래의 모든 경고에서 사용된 "전동 공구"라는 말은 동력 구동(유선)에 의해 전기가 공급되는 전동 공구 또는 충전식(무선) 전동 공구를 의미합니다.

a) 작업장 안전

1. 작업장을 청결하고 밝게 유지하십시오. 혼잡하고 어두운 작업장에서는 사고가 발생하기 쉽습니다.
2. 가연성 액체, 가스 또는 먼지 등이 있는 폭발성 환경에서 전동 공구를 사용하지 마십시오. 전동 공구에서 먼지나 가스를 발화시킬 수 있는 불꽃이 될 수 있습니다.
3. 전동 공구로 작업하는 동안에는 어린이와 주변 사람들이 작업 영역에 가까이 들어오지 못하도록 하십시오. 주변이 산만해져 통제력을 잃을 수 있습니다.

b) 전기 안전

1. 전동 공구의 플러그는 콘센트와 형식이 일치해야 합니다. 전원 플러그를 어떤 방식으로든 절대 개조하지 마십시오. 접지된(지면 접지)

전동 공구에 어떤 어댑터 플러그도 사용하지 마십시오. 개조되지 않은 플러그 및 형식이 일치하는 콘센트를 사용하면 감전 위험이 줄어듭니다.

2. 파이프, 라디에이터 및 냉장고 등과 같이 접지된 표면에 몸이 닿지 않도록 하십시오. 신체가 접지되어 있으면 감전 위험이 높아집니다.
3. 전동 공구를 비 또는 습한 환경에 노출하지 않도록 주의하십시오. 전동 공구에 물이 들어가면 감전 위험이 높아집니다.
4. 전기 케이블을 함부로 다루지 마십시오. 케이블을 사용하여 전동 공구를 운반하거나 잡아당기거나 플러그를 뽑지 마십시오. 열, 오일, 날카로운 모서리 또는 움직이는 부품에서 멀리 떨어진 장소에 케이블을 보관하십시오. 케이블이 손상되거나 얽혀 있으면 감전 위험이 높아집니다.
5. 전동 공구를 실외에서 사용할 때는 실외 사용에 적합한 연장 코드를 사용하십시오. 실외 사용에 적합한 전기 케이블을 사용하면 감전 위험이 줄어듭니다.
6. 습한 장소에서 전동 공구를 사용해야 하는 경우에는 누전 차단기(RCD)로 보호된 전원 공급 장치를 사용하십시오. RCD를 사용하면 감전 위험이 줄어듭니다.

c) 신체 안전 사항

1. 전동 공구로 작업할 때는 방심하지 말고 작업에 주의하면서 상식에 따르십시오. 피곤한 상태이거나 약물, 술, 치료제를 복용한 상태에서는 전동 공구를 작동하지 마십시오. 전동 공구를 사용하는 중에 주의력을 잃어 순간적으로 부상을 당할 수 있습니다.
2. 안전 장구를 사용하십시오. 항상 보안경을 착용하십시오. 적합한 상황에서 방진 마스크, 미끄럼 방지 안전화, 안전 헬멧 또는 청력 보호 기구 등의 안전 장구를 사용하면 부상 위험이 줄어듭니다.
3. 기기가 갑자기 작동하지 않도록 방지하십시오. 전원을 연결하거나, 배터리 팩을 넣기 전에, 또는 공구를 이동 및 운반할 때는 스위치가 꺼짐 위치에 있는지 확인하십시오. 스위치가 켜짐 위치에 있는 상태에서 스위치에 손가락이 닿은 상태로 전동 공구를 운반하거나 전동 공구의 플러그를 꽂으면 사고가 발생할 수 있습니다.
4. 전동 공구를 켜기 전에 모든 조정 키 또는 렌치를 제거하십시오. 전동 공구의 회전 부품에

렌치나 키가 부착되어 있으면 부상을 당할 수 있습니다.

5. 무리하게 팔을 뻗지 마십시오. 항상 올바른 자세로 서서 균형을 유지하십시오. 그러면 예기치 않은 상황에서 전동 공구 제어 능력이 향상됩니다.
6. 적절한 의복을 착용하십시오. 헐렁한 옷이나 장신구를 착용하지 마십시오. 머리카락, 옷 및 장갑이 움직이는 부품에 닿지 않도록 유의하십시오. 헐렁한 옷, 장신구 또는 긴 머리가 움직이는 부품에 낄 수 있습니다.
7. 칩 컨베이어 및 집진 장비 연결을 위한 장치가 제공되는 경우, 이들 장치가 연결되어 적절히 사용되고 있는지 반드시 확인하십시오. 이러한 장치를 사용하면 먼지와 관련된 위험을 줄일 수 있습니다.

d) 전동 공구 사용 및 관리

1. 전동 공구에 무리한 힘을 가하지 마십시오. 해당 용도에 맞는 올바른 전동 공구를 사용하십시오. 올바른 전동 공구를 사용하여 설계된 속도로 작업을 더욱 안전하고 정확하게 수행할 수 있습니다.
2. 스위치 켜짐/꺼짐이 되지 않는 전동 공구는 사용하지 마십시오. 스위치로 제어되지 않는 전동 공구는 위험하므로 수리해야 합니다.
3. 전동 공구를 조정하거나 액세서리를 변경하거나 보관하기 전에 전원 및/또는 배터리 팩에서 플러그를 뽑으십시오. 이러한 예방적 안전 조치를 따라야 전동 공구가 갑자기 작동할 위험이 줄어듭니다.
4. 사용하지 않는 공구는 어린이의 손이 닿지 않는 곳에 보관하십시오. 전동 공구 또는 이러한 설명서에 익숙하지 않은 사람이 공구를 사용하지 못하게 하십시오. 전동 공구는 훈련을 받지 않은 사용자가 다루면 위험합니다.
5. 전동 공구 유지 보수. 움직이는 부품의 잘못된 정렬이나 바인딩, 부품 파손 및 기타 전동 공구의 작동에 영향을 미칠 수 있는 상태가 있는지 확인하십시오. 손상된 부분이 있는 경우 사용하기 전에 전동 공구를 수리하십시오. 많은 사고는 전동 공구를 제대로 유지 보수하지 않아 발생합니다.
6. 절단 톱날을 날카롭고 깨끗하게 유지하십시오. 톱날의 끝을 날카롭게 유지하면 전동 공구가 끼는 것을 방지하고 다루기가 더 쉽습니다.
7. 작업 환경과 수행할 작업을 고려하여, 본 지시

사항에 따라 전동 공구, 액세서리 및 톨 비트 등을 사용하십시오. 본 사용 설명서의 내용과 다른 용도로 전동 공구를 사용하면 위험한 상황이 발생할 수 있습니다.

e) 정비

1. 자격을 갖춘 기술자가 동일 교체 부품을 사용하여 정비 작업을 수행해야 합니다. 그래야 유지 관리 후 전동 공구의 안전이 보장됩니다.

마블 커터에 대한 추가 안전 주의 사항

⚠ 주의! 벽과 바닥을 절단할 때, 또는 전기 배선에 닿은 경우에는 공구의 노출된 금속 부품을 만지지 마십시오. 절삭 공구가 감춰진 배선 또는 자체 코드에 접촉할 수 있는 작업을 수행할 때는 절연된 부분으로 공구를 잡으십시오. "전류가 흐르는" 전선과 접촉하면 공구의 노출된 금속 부분에 "전류가 흘러" 작업자가 감전될 수 있습니다.



1. 항상 손은 절삭 영역과 다이아몬드 휠에 닿지 않도록 유의하십시오. 항상 다른 손은 사이드 핸들에 두십시오. 양 손으로 공구를 잡을 경우, 휠로 인한 부상이 없습니다.
2. 작업을 아래에서는 가드가 휠의 부분을 보호할 수 없으므로 작업물 아래쪽을 만지지 마십시오.
3. 항상 잘 맞는 크기 및 중심(다이아몬드 또는 원형 모양)의 다이아몬드 휠을 사용하십시오. 맞지 않는 휠 및 홀더를 사용하면 작동 시 중심을 벗어나 제어력을 잃을 수 있습니다.
4. 손상되거나 크기가 맞지 않는 와셔 또는 볼트를 사용하지 마십시오. 작업 시 제어력을 잃을 수 있습니다.
5. 연마 휠을 사용하지 마십시오.
6. 제조업체의 규정에 맞지 않는 다이아몬드 휠을 사용하지 마십시오.
7. 손상되거나, 변형되거나 깨진 절삭 휠을 사용하지 마십시오.
8. 고정 가드가 없는 상태에서 공구를 작동하지 마십시오.
9. 절삭 휠이 작업물에 닿은 상태에서 공구를 시작하지 마십시오.
10. 공구 전원을 끈 다음, 절삭 휠이 완전히 작동을 멈춘 후에만 공구를 내려 놓으십시오. 멈추기 위해 휠에 무리한 힘을 가하지 마십시오.
11. 교체하거나 절삭 깊이 또는 배수관을 조정하거나 공구를 수리하기 전에 전원에서 플러그

를 빼고 다이아몬드 휠이 정지했는지 확인하십시오.


12. 다이아몬드 휠이 숨겨진 배선 또는 자체 코드를 절단할 것 같으면 공구를 절연된 부분으로만 잡으십시오. 다이아몬드 휠이 "전류가 흐르는" 전선에 접촉되는 경우, 전동 공구의 노출된 금속 부품이 충전되어 작업자가 감전될 수 있습니다.
13. 벽 또는 기타 사각 지대를 관통하는 "블라인드 절단" 시에는 특히 주의하십시오. 다이아몬드 휠이 가스 또는 배수관, 전선 또는 탄성 물체를 자를 수 있습니다.

기호

공구에 장착된 라벨에 다음 기호가 사용됩니다.

V볼트
A암페어
Hz헤르츠
W와트
min분
~ 교류
== 직류
n ₀무부하 속도
클래스 II 이중 절연
안전 경고 기호
.../분분당 회전 또는 왕복 수

이중 절연

 공구는 이중 절연되어 있습니다. 이는 모든 외부 금속 부품이 주 전원으로부터 전기적으로 절연되어 있음을 의미합니다. 이를 위해 전기 부품과 기계 부품 사이에 절연체를 배치해 공구를 접지시킬 필요가 없게 합니다. 참고: 이중 절연이 되어 있다 해도 이 공구를 다룰 때의 일반적인 안전 주의 사항을 소홀히 해서는 안됩니다. 절연 시스템은 공구 내부의 전기 절연이 제대로 되어 있지 않아 생길 수 있는 부상 방지 효과를 강화하기 위한 것입니다.

전기 안전

전원이 전동기 라벨에 기재된 전압과 일치하는지 항상 확인하십시오.

연장 케이블 이용

연장 케이블은 가급적 사용하지 마십시오. 연장 케이블을 잘못 사용하면 화재 및 감전 위험이 있습니다. 연장 케이블을 사용해야 할 경우 정부 전기 안전 관리 당국의 승인을 받은 것만 사용하십시오. 사용하기 전에 연장 케이블 상태에 문제가 없는지 확인하십시오. 항상 사용 중인 공구의 전원 입력에 적합한 케이블을 사용하십시오(네임 플레이트의 기술 자료 참조). 최소 도체 크기는 1.5 mm²입니다.

부품(그림 A)

이 공구는 타일 및 석재 절단용으로 특별히 제작되었습니다.

1. On/Off 스위치
2. 잠금 버튼
3. 깊이조절 레바
4. 베이스
5. 브러시 뚜껑
6. 소켓 렌치
7. 스페너

조립 및 조정

조립 및 조정하기 전에 항상 공구의 플러그를 빼십시오.

다이아몬드 휠 설치 및 제거(그림 C) 설치

다이아몬드 휠(9)을 스펀들에 넣습니다. 스페너(7)로 외부 만조를 잡고 소켓 렌치(6)로 나사를 시계 반대 방향으로 돌립니다. 클램프 볼트를 단단히 조이십시오. 정확한 홀 크기의 권장 다이아몬드 휠만 사용하십시오. 제거 위의 절차를 반대로 수행합니다.

절삭 깊이 조정(그림 D)

절삭 깊이를 늘리거나 줄이려면, 깊이조절 레바(3)를 풀고, 베이스(4)를 이동하여 깊이를 조정하십시오. 공구의 고장을 방지하기 위해, 절삭 깊이 조정 노브는 공장 출고시 최적의 위치로 설정되어 있습니다. 사용자는 언제든지 노브를 원하는 위치로 설정할 수도 있습니다.

사용 지침

안전 지시 사항과 해당 규정을 항상 준수하십시오. 공구를 작동하기 전에 깊이조절 레바(3)가 올바르게 조여 졌는지 확인하십시오.

전원 켜기 및 끄기(그림 B)

공구 스위치를 켜려면 on/off 스위치(1)를 누릅니다.

공구 스위치를 끄려면 on/off 스위치를 놓습니다. 이 공구에는 잠금 기능이 있습니다. 활성화하려면, on/off 스위치를 누른 다음 잠금 버튼(2)을 누릅니다. 비활성화하려면, on/off 버튼을 다시 누릅니다. 항상 작업이 끝나면 공구 및 전원 공급 장치의 스위치를 끄십시오.

절삭(그림 E)

작업물의 절단선과 베이스의 앞쪽 모서리를 맞춥니다. 공구를 확실히 잡으십시오. 휠이 어떤 것에도 닿지 않게 한 상태에서 절단할 작업물에 베이스를 놓습니다.

공구를 켜고 휠이 최대 속도가 될 때까지 기다리십시오.

절단을 완료할 때까지 부드럽게 진행하면서 작업물 앞쪽으로 공구를 이동합니다.

절단 선을 직선으로 유지하십시오.

이 공구는 수평면에서만 사용해야 합니다.

직선으로 공구를 부드럽게 앞쪽으로 이동하십시오. 과도한 힘을 주거나, 과도한 압력을 가하거나, 휠이 절단 시 휘어지고, 끼이거나 비틀리면 모터가 과열되어 공구가 위험하게 반응할 수 있습니다. 절삭 깊이가 20mm 이상일 때는 절단을 2번 또는 3번으로 나누어 모터 고장을 방지합니다.

유지 보수

스탠리 전동 공구는 최소한의 유지보수로 장기간에 걸쳐 작업이 가능하도록 설계되어 있습니다. 만족스러운 연속 작동은 적절한 공구 관리와 정기적인 청소에 따라 그 성능이 달라질 수 있습니다. 공구를 직접 수리하지 마십시오. 정기 유지 보수 및 정비, 또는 성능이 현저하게 달라진 경우에는 공인 스탠리 서비스 센터로 공구를 보내십시오.

카본 브러시

카본 브러시(그림 F)

카본 브러시를 분리해 정기적으로 확인하십시오. 약 6mm 미만까지 마모된 경우 교체하십시오. 홀더에서 자유롭게 움직이도록 카본 브러시를 깨

끗하게 유지하십시오. 카본 브러시 양쪽을 동시에 교체해야 합니다.

스탠리 카본 브러시만 사용하십시오.

마이너스 드라이버를 사용하여 브러시 뚜껑(5)을 제거합니다. 마모된 브러시를 빼내고 새 브러시를 끼운 다음 브러시 뚜껑을 단단히 고정합니다.

청소

⚠ 경고: 형광을 이용하여 외관을 청소하기 전에 공구의 전원 플러그를 뽑으십시오. 일주일에 한번 이상, 모니터가 작동하는 상태에서 건조한 공기로 모든 공기 배출구에서 먼지를 불어내십시오. 이때 안전 고글을 착용하십시오. 플라스틱 외관 부분은 물이나 연한 세제를 묻힌 헝겊으로 닦을 수 있습니다. 이러한 부분에는 내화학성이 우수한 재질이 사용되었지만 화학용액은 절대 사용하지 마십시오.

공구 관리

전동 공구의 과열을 방지하십시오. 과부하가 발생하면 절삭 속도와 효과가 크게 감소하고 공구가 과열됩니다. 이 경우, 내부 팬에 의해 기기가 정상 작동 온도로 냉각될 때까지 1~2분 가량 작업을 없이 전동 공구를 작동시키십시오. 부하가 걸린 상태에서 공구 전원을 켜고 끄면 공구 수명이 크게 줄어듭니다.

중요

제품 안전과 신뢰성을 보장하기 위해 수리, 유지 보수 및 조정 작업(본 사용 설명서에서 다루지 않은 작업)은 공인 서비스 센터 또는 자격을 갖춘 다른 수리점에서 항상 동일한 교체 부품을 사용하여 수행해야 합니다. 본 기기 내부에는 사용자가 수리할 수 있는 부품이 없습니다.

액세서리

전동 공구의 성능은 사용한 액세서리에 따라 결정됩니다. 스탠리 액세서리는 높은 품질 기준을 만족하도록 제작되었으며 최고의 재료로 제조되었습니다. 액세서리는 시장에 출시되기 전에 엄격한 테스트를 거칩니다. 액세서리는 전동 공구의 성능을 향상시키도록 설계되었습니다.

⚠ 참고: 최소한 전동 공구에 표기되어 있는 최대 속도와 같은 휠 정격 속도만 사용하십시오.

⚠ 경고: 본 공구와 함께 사용하도록 권장되지 않은 다른 액세서리를 사용할 경우 위험할 수 있습니다.

니다.

⚠ 경고: 석재 절단 다이아몬드 휠만 사용할 수 있습니다. 연마 휠 또는 톱니가 있는 날을 사용하지 마십시오.

환경 보호

♻️ 공구를 교체해야 하거나 더 이상 사용하지 않을 경우, 환경 보호를 고려하십시오. 해당 구청에 연락하여 올바른 폐기 방법에 대해 알아보는 것이 좋습니다.

서비스 정보

스탠리는 대한민국 전역에 영업소를 자체 운영하거나 공인 서비스 센터를 두고 있습니다. 모든 스탠리 서비스 센터에는 교육을 이수한 전문 직원이 배치되어 있어 고객에게 효과적이고 믿을 수 있는 전동 공구 서비스를 제공하고 있습니다. 기술 지원, 수리 또는 순정 교체 부품이 필요할 경우 가까운 스탠리 서비스 센터로 문의하십시오.

참고

- 스탠리의 정책은 제품을 지속적으로 개선시키는 것이기 때문에 사전 통지 없이 제품 사양이 변경될 수 있습니다.
- 기본 장비 및 액세서리 구성은 국가에 따라 다를 수 있습니다.
- 제품 사양은 국가에 따라 다를 수 있습니다.
- 국가에 따라 판매하지 않는 제품도 있을 수 있습니다. 제품 판매 여부는 해당 지역에 있는 스탠리 판매점으로 문의하십시오.